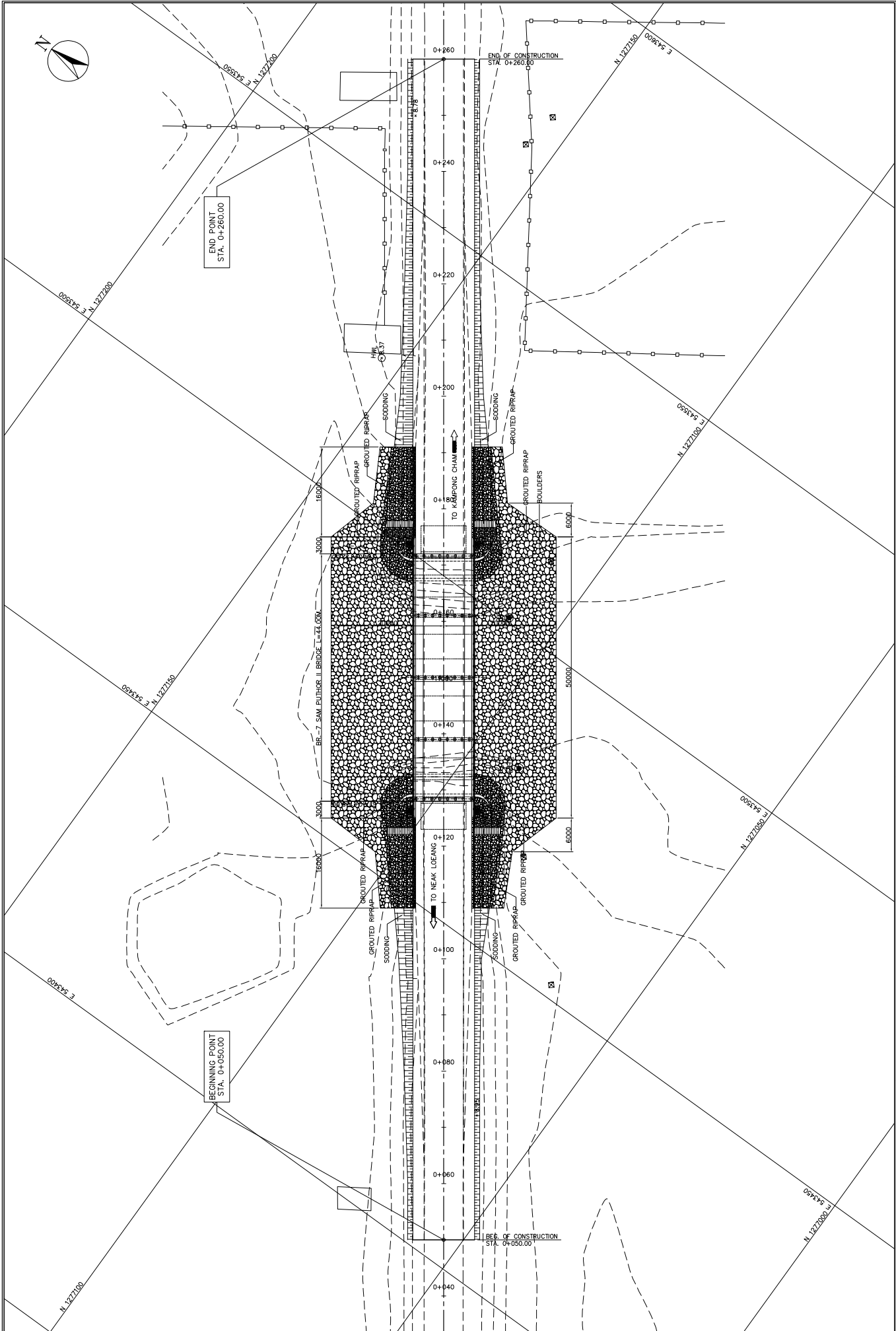


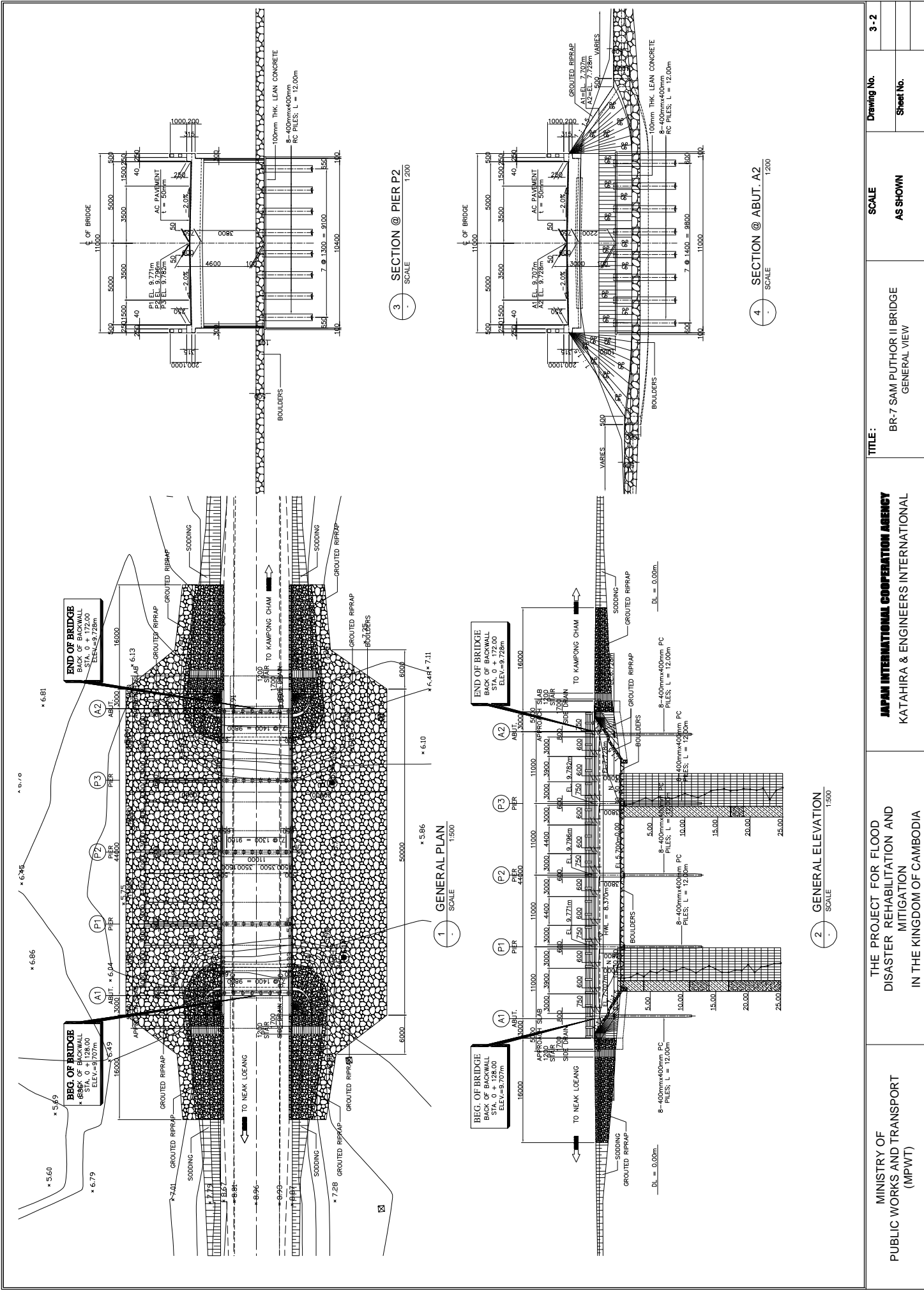
---

# BR-7 SAM PUTHOR BRIDGE

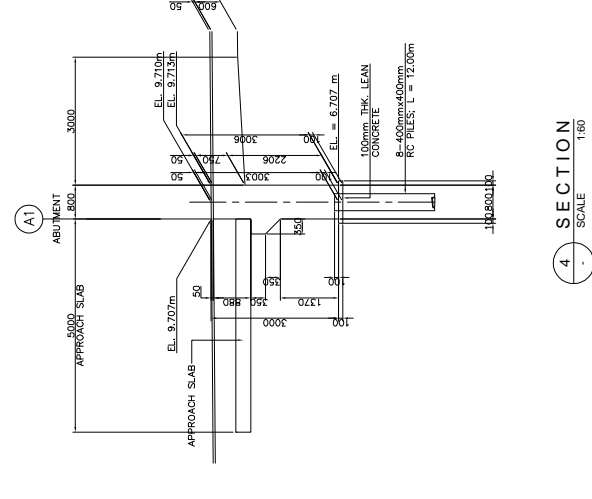
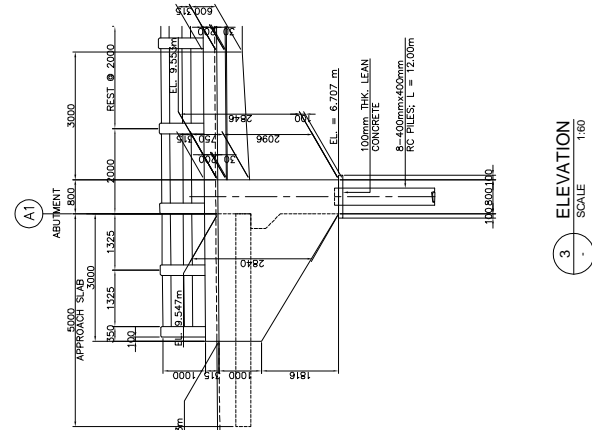
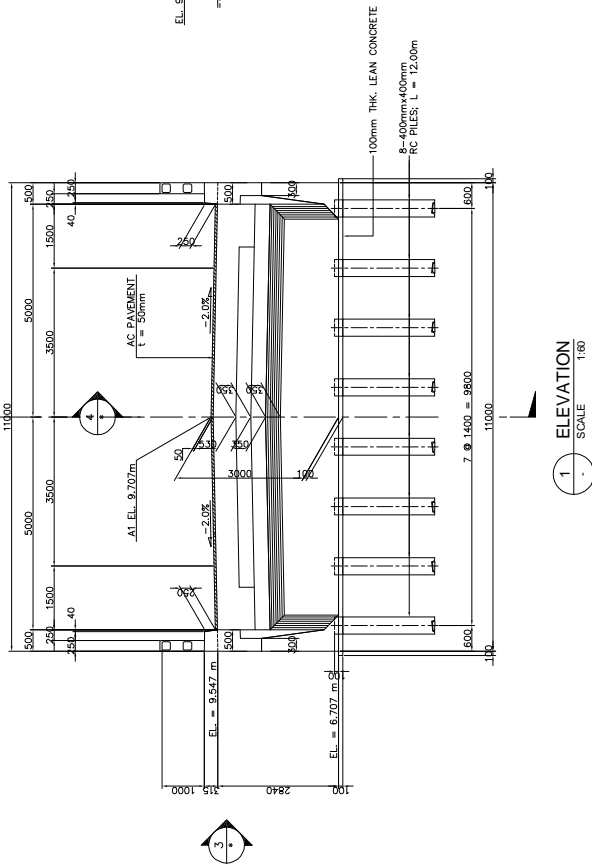
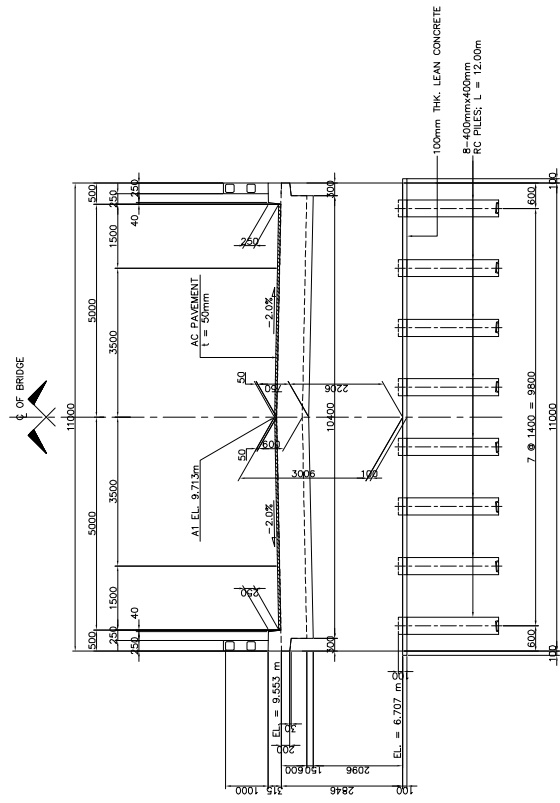
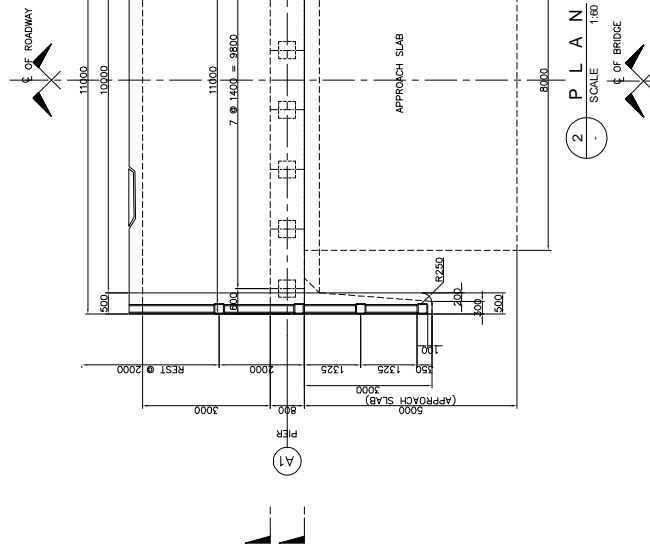
---



MINISTRY OF PUBLIC WORKS AND TRANSPORT (MPWT)	THE PROJECT FOR FLOOD DISASTER REHABILITATION AND MITIGATION IN THE KINGDOM OF CAMBODIA	JAPAN INTERNATIONAL COOPERATION AGENCY KATAHIRA & ENGINEERS INTERNATIONAL	TITLE: BR-7 SAM PUTHOR II BRIDGE GENERAL SITE PLAN	SCALE	Drawing No.
				1:800	3 - 1
					Sheet No.



MINISTRY OF PUBLIC WORKS AND TRANSPORT (MPWT)	THE PROJECT FOR FLOOD DISASTER REHABILITATION AND MITIGATION IN THE KINGDOM OF CAMBODIA	JAPAN INTERNATIONAL COOPERATION AGENCY KATAHIRA & ENGINEERS INTERNATIONAL	TITLE:	BR-7 SAM PUTHOR II BRIDGE GENERAL VIEW	SCALE	AS SHOWN	Drawing No.	3-2
							Sheet No.	



MINISTRY OF  
PUBLIC WORKS AND TRANSPORT  
(MPWT)

THE PROJECT FOR FLOOD  
DISASTER REHABILITATION AND  
MITIGATION  
IN THE KINGDOM OF CAMBODIA

JAPAN INTERNATIONAL COOPERATION AGENCY  
KATAHIRA & ENGINEERS INTERNATIONAL

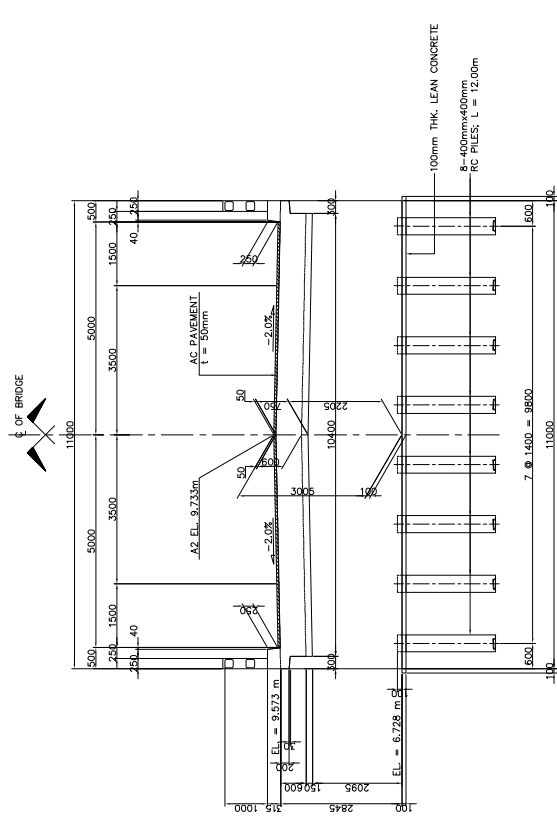
TITLE:  
BR-7 SAM PUTHOR II BRIDGE  
SUBSTRUCTURE STRUCTURAL DIMENSION  
(ABUT. A1)

SCALE  
AS SHOWN

Drawing No.

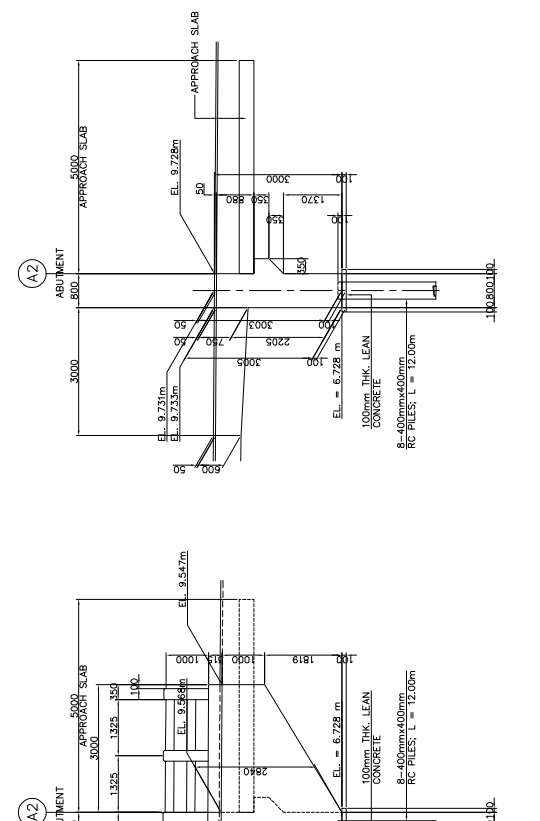
Sheet No.

3-3



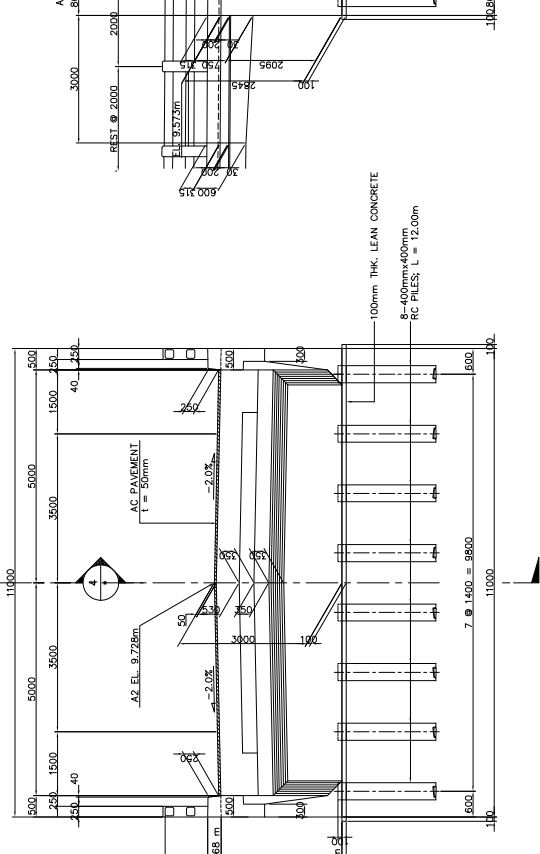
2 PLAN SCALE 1:150

5 ELEVATION SCALE 1:150



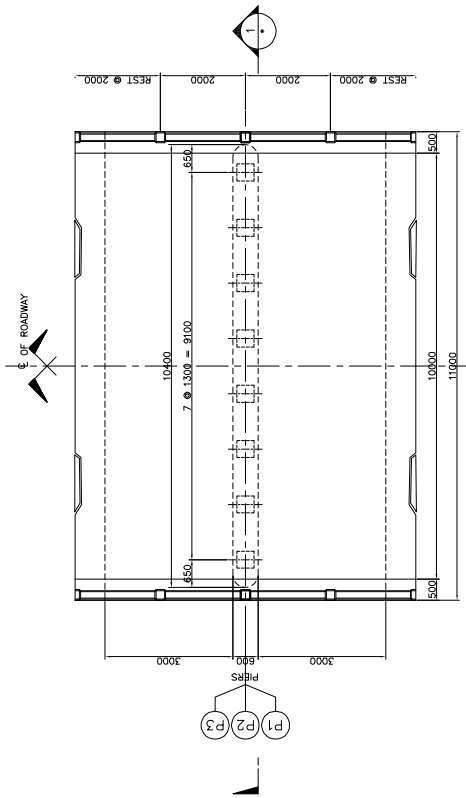
1 ELEVATION SCALE 1:150

3 ELEVATION SCALE 1:150



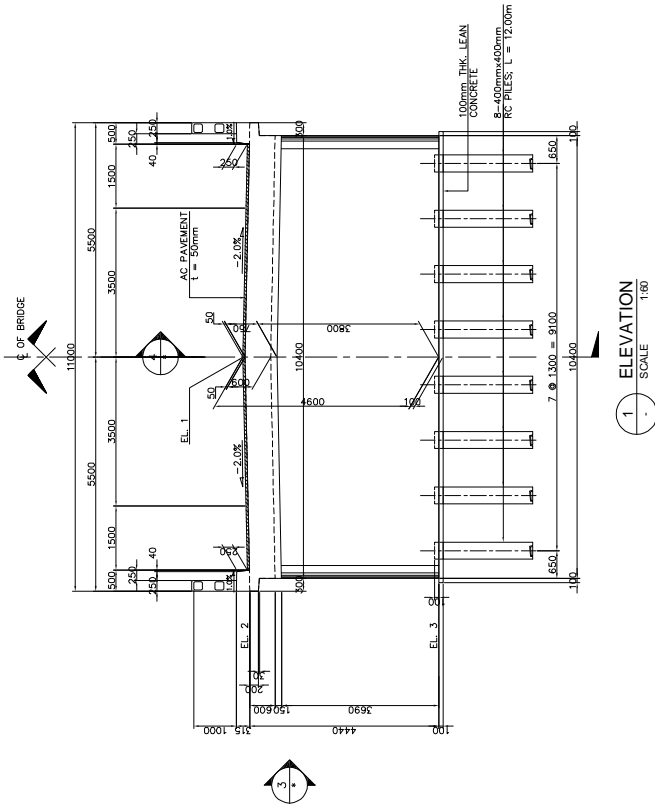
4 SECTION SCALE 1:150

<p>MINISTRY OF PUBLIC WORKS AND TRANSPORT (MPWT)</p>	<p>THE PROJECT FOR FLOOD DISASTER REHABILITATION AND MITIGATION IN THE KINGDOM OF CAMBODIA</p>	<p>JAPAN INTERNATIONAL COOPERATION AGENCY KATAHIRA &amp; ENGINEERS INTERNATIONAL</p>	<p>TITLE: BR-7 SAM PUTHOR II BRIDGE SUBSTRUCTURE STRUCTURAL DIMENSION (ABUT. A2)</p>	<p>SCALE AS SHOWN</p> <p>Drawing No. 3-4</p> <p>Sheet No.</p>
--	--	--	--	---

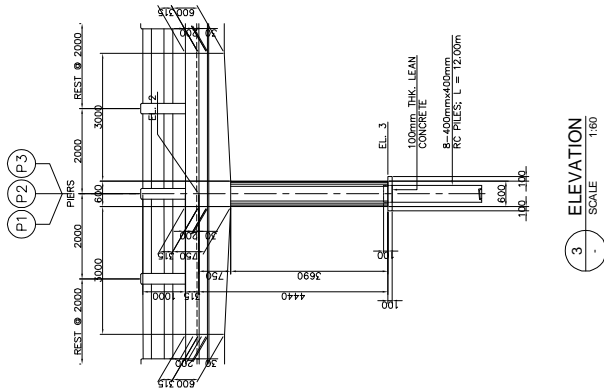


2 PLAN SCALE 1:80

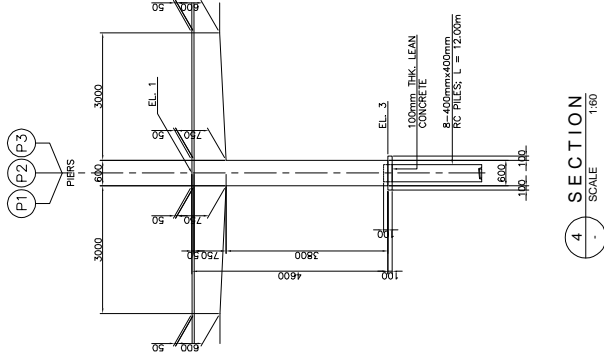
TABLE OF ELEVATIONS			
LOCATION	EL. 1	EL. 2	EL. 3
PIER 1	9.771m	9.611m	5.171m
PIER 2	9.798m	9.636m	5.196m
PIER 3	9.782m	9.622m	5.182m



1 ELEVATION SCALE 1:80



3 ELEVATION SCALE 1:80



4 SECTION SCALE 1:80

MINISTRY OF PUBLIC WORKS AND TRANSPORT (MPWT)

THE PROJECT FOR FLOOD DISASTER REHABILITATION AND MITIGATION IN THE KINGDOM OF CAMBODIA

JAPAN INTERNATIONAL COOPERATION AGENCY KATAHIRA & ENGINEERS INTERNATIONAL

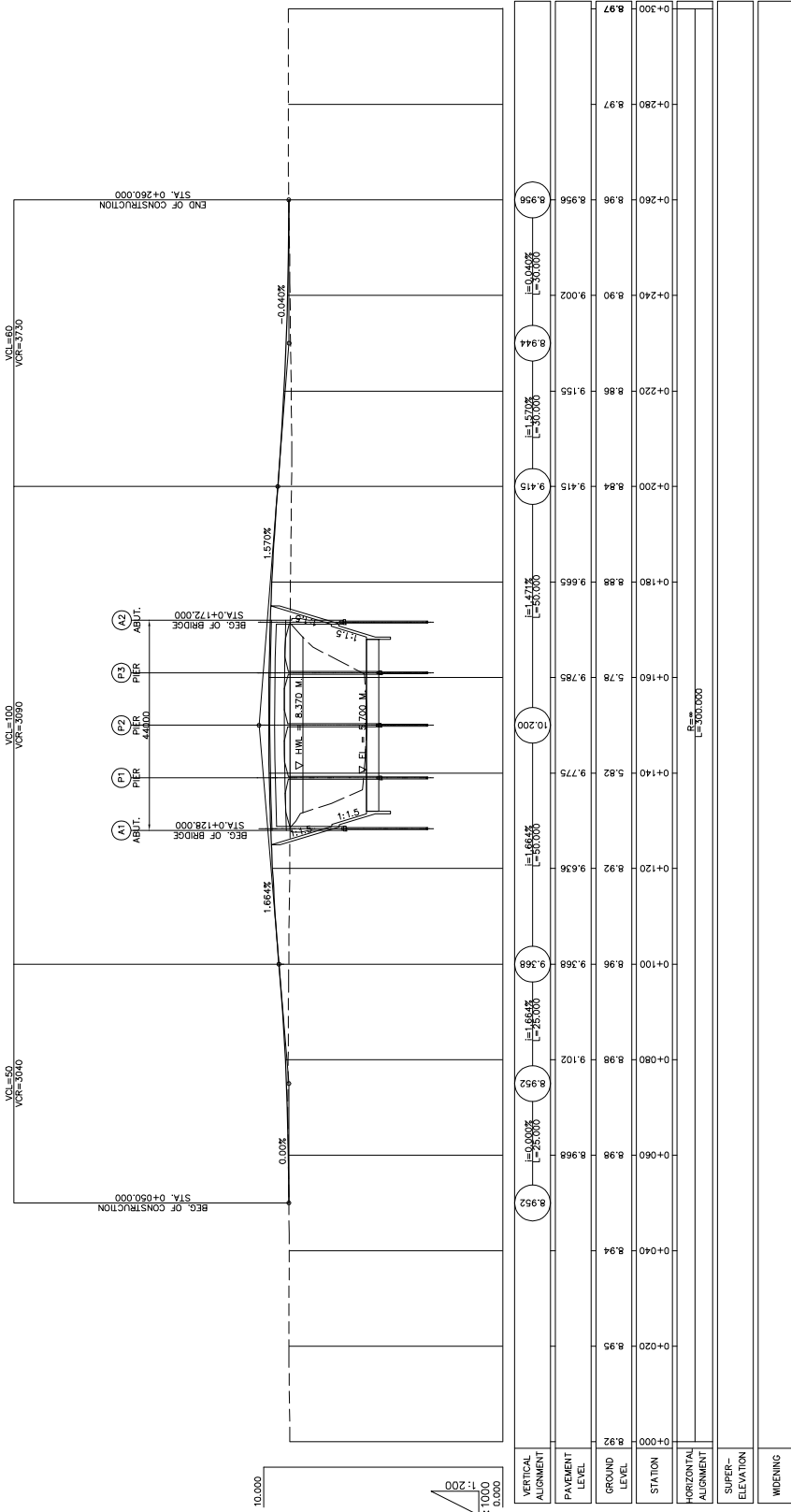
TITLE: BR-7 SAM PUTHOR II BRIDGE SUBSTRUCTURE STRUCTURAL DIMENSION (PIER P1, P2 & P3)

SCALE AS SHOWN

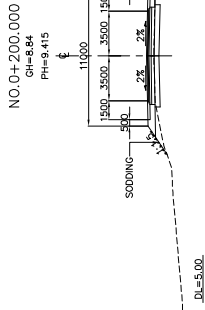
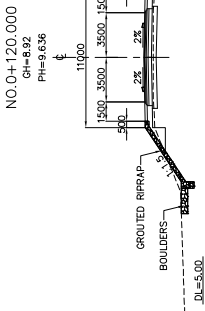
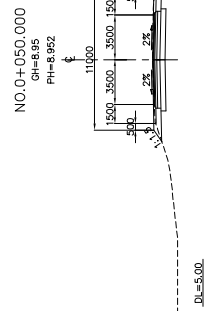
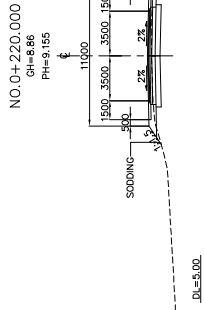
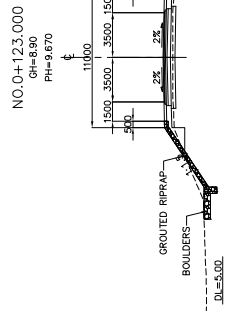
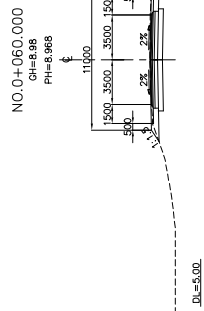
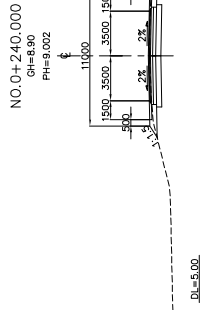
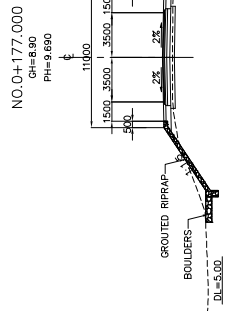
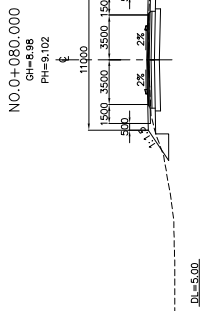
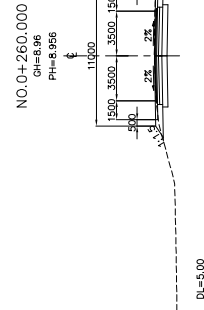
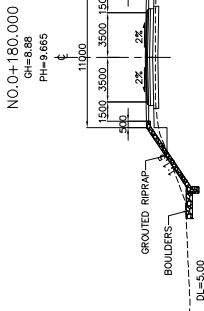
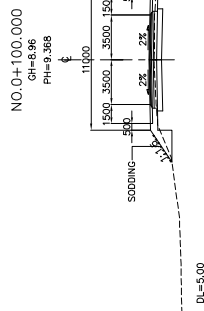
Drawing No.

Sheet No.

3-5



VERTICAL ALIGNMENT	PAVEMENT LEVEL	GROUND LEVEL	STATION
8.952	8.952	8.952	0+000
8.952	8.952	8.952	0+020
8.952	8.952	8.952	0+040
8.952	8.952	8.952	0+060
8.952	8.952	8.952	0+080
8.952	8.952	8.952	0+100
8.952	8.952	8.952	0+120
8.952	8.952	8.952	0+140
8.952	8.952	8.952	0+160
8.952	8.952	8.952	0+180
8.952	8.952	8.952	0+200
8.952	8.952	8.952	0+220
8.952	8.952	8.952	0+240
8.952	8.952	8.952	0+260
8.952	8.952	8.952	0+280
8.952	8.952	8.952	0+300



MINISTRY OF  
PUBLIC WORKS AND TRANSPORT  
(MPWT)

THE PROJECT FOR FLOOD  
DISASTER REHABILITATION AND  
MITIGATION  
IN THE KINGDOM OF CAMBODIA

JAPAN INTERNATIONAL COOPERATION AGENCY  
KATAHIRA & ENGINEERS INTERNATIONAL

TITLE:  
BR-7 SAM PUTHOR II BRIDGE  
APPROACH ROAD CROSS SECTIONS

SCALE

Drawing No.  
1:400

Sheet No.

3-7

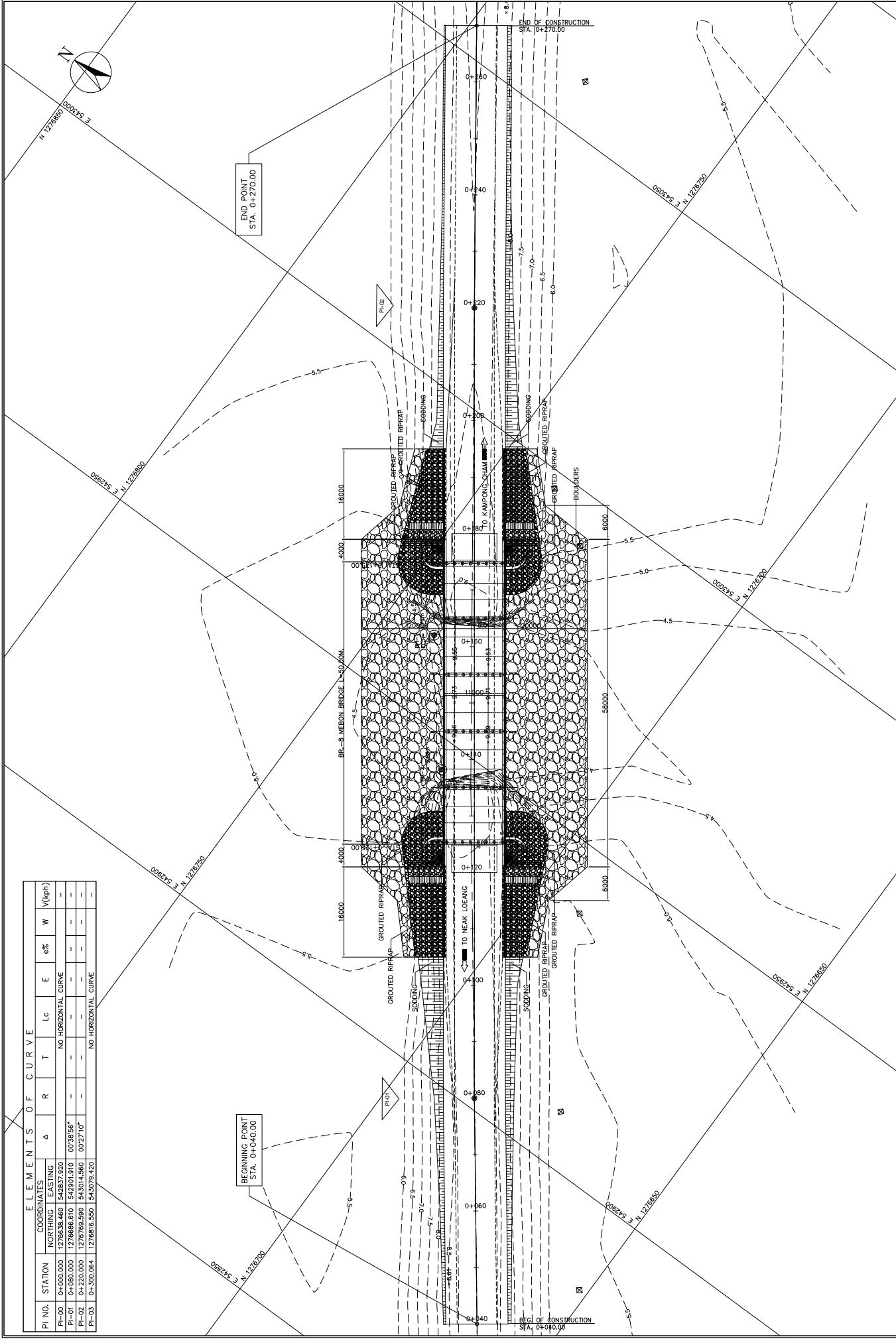


---

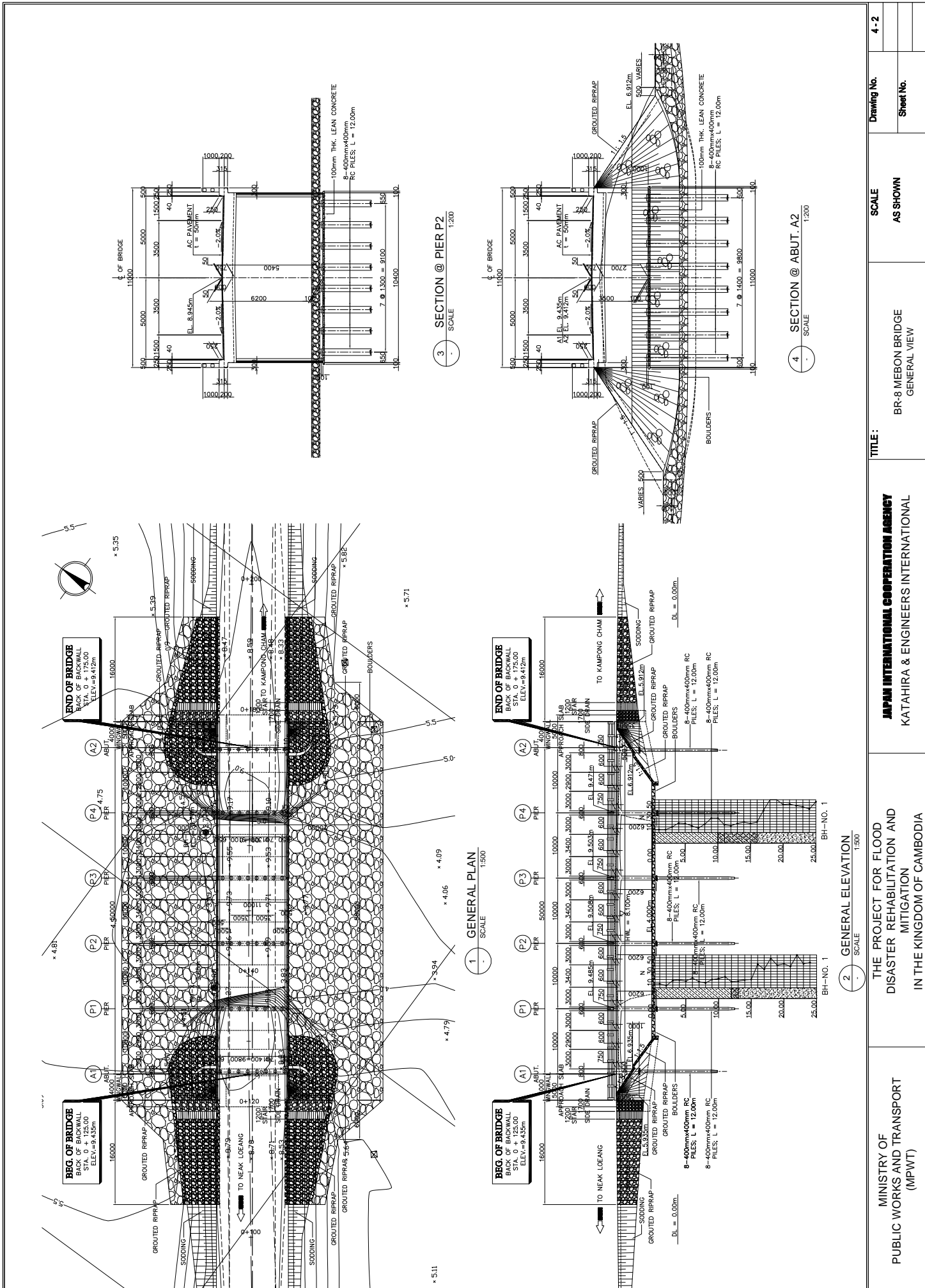
# BR-8 MEBON BRIDGE

---

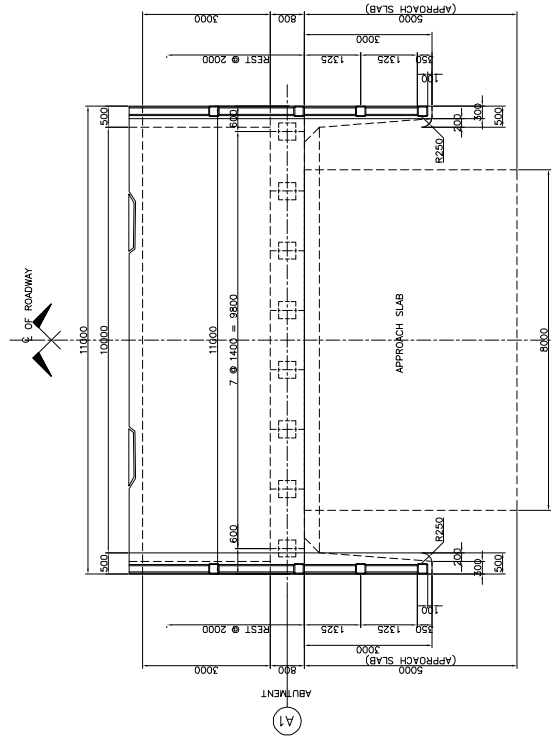
ELEMENTS OF CURVE											
PI NO.	STATION	COORDINATES		Δ	R	T	Lc	E	e%	W	V(kph)
		NORTHING	EASTING								
PI-00	0+000.000	1276638.460	542837.920				NO HORIZONTAL CURVE				
PI-01	0+080.000	1276686.610	542300.130	0°38'56"							
PI-02	0+220.000	1276769.590	543014.560	0°27'10"			NO HORIZONTAL CURVE				
PI-03	0+300.064	1276816.550	543079.420								



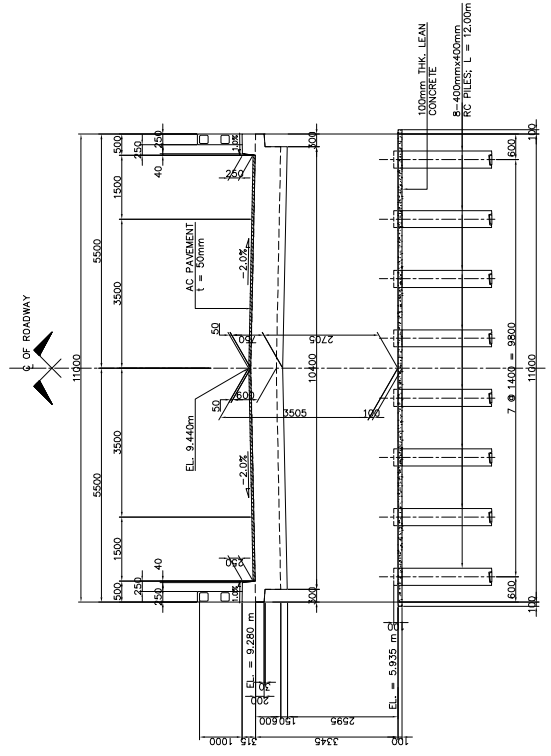
MINISTRY OF PUBLIC WORKS AND TRANSPORT (MPWT)	THE PROJECT FOR FLOOD DISASTER REHABILITATION AND MITIGATION IN THE KINGDOM OF CAMBODIA	JAPAN INTERNATIONAL COOPERATION AGENCY KATAHIRA & ENGINEERS INTERNATIONAL	TITLE : BR-8 MEBON BRIDGE GENERAL SITE PLAN	SCALE	1:800	Drawing No.	4 - 1
				Sheet No.			



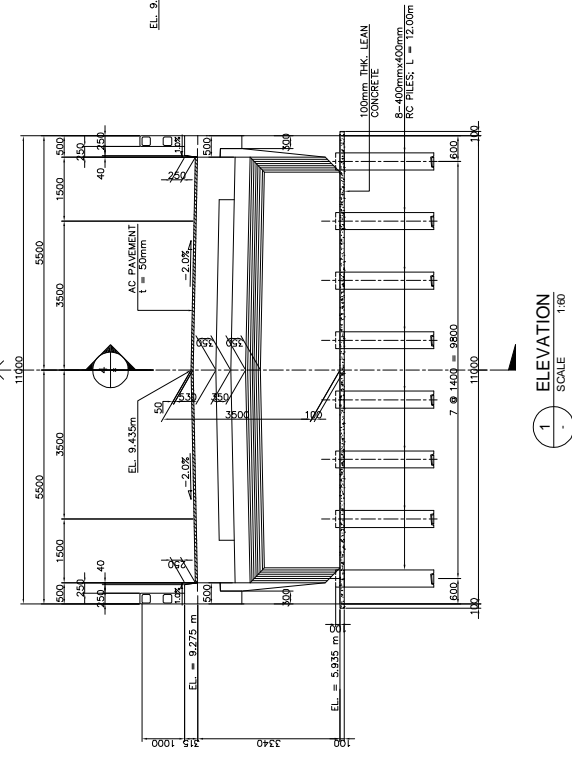
MINISTRY OF PUBLIC WORKS AND TRANSPORT (MPWT)	THE PROJECT FOR FLOOD DISASTER REHABILITATION AND MITIGATION IN THE KINGDOM OF CAMBODIA	JAPAN INTERNATIONAL COOPERATION AGENCY KATAHIRA & ENGINEERS INTERNATIONAL	TITLE: BR-8 MEBON BRIDGE GENERAL VIEW	SCALE	AS SHOWN	Drawing No.	4-2
						Sheet No.	



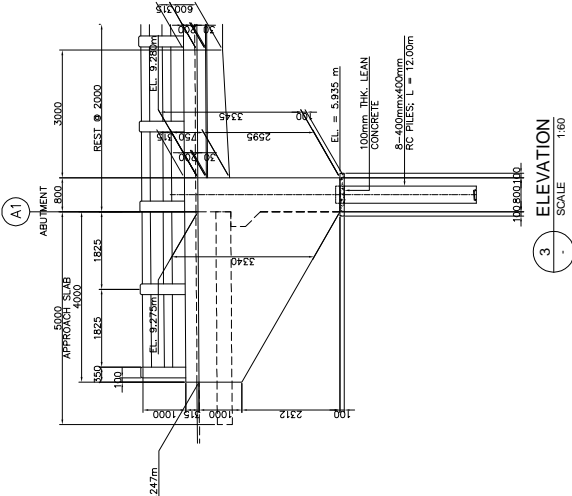
2 PLAN SCALE 1:100



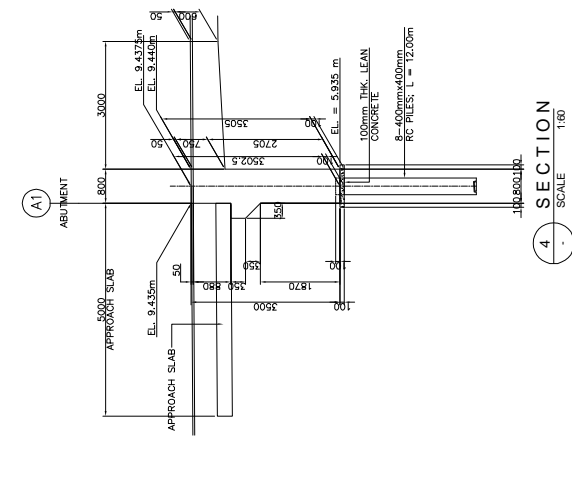
5 ELEVATION SCALE 1:100



1 ELEVATION SCALE 1:100



3 ELEVATION SCALE 1:100



4 SECTION SCALE 1:100

MINISTRY OF PUBLIC WORKS AND TRANSPORT (MPWT)

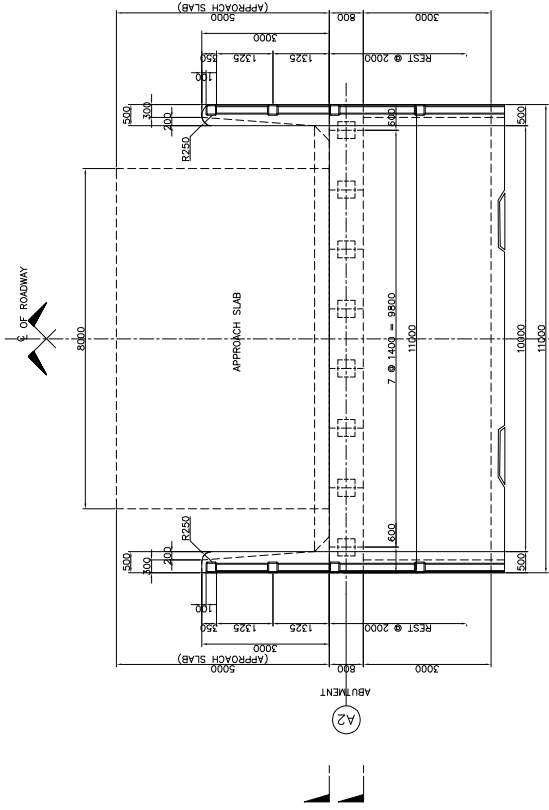
THE PROJECT FOR FLOOD DISASTER REHABILITATION AND MITIGATION IN THE KINGDOM OF CAMBODIA

JAPAN INTERNATIONAL COOPERATION AGENCY KATAHIRA & ENGINEERS INTERNATIONAL

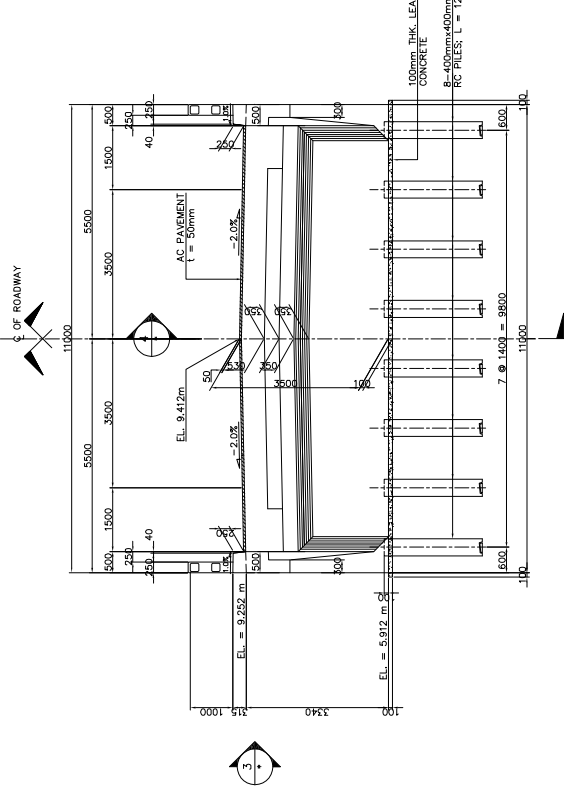
TITLE: BR-8 MEBON BRIDGE SUBSTRUCTURE STRUCTURAL DIMENSION (ABUT. A1)

SCALE AS SHOWN

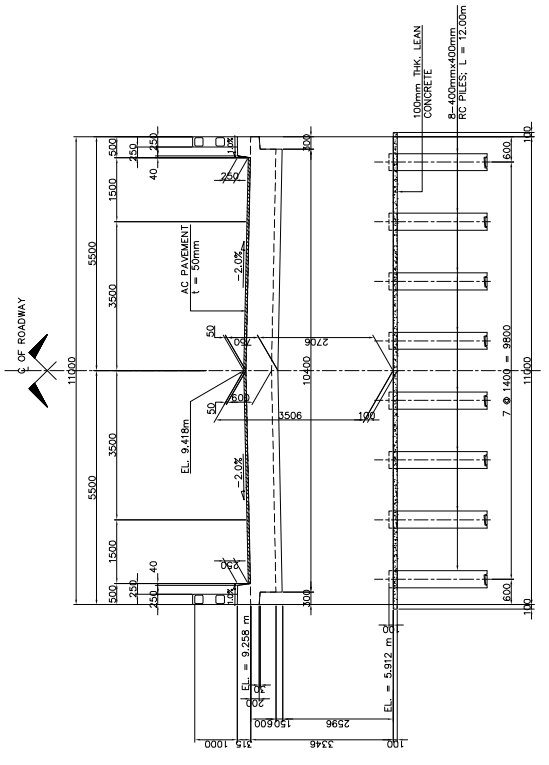
Drawing No. 4-3 Sheet No.



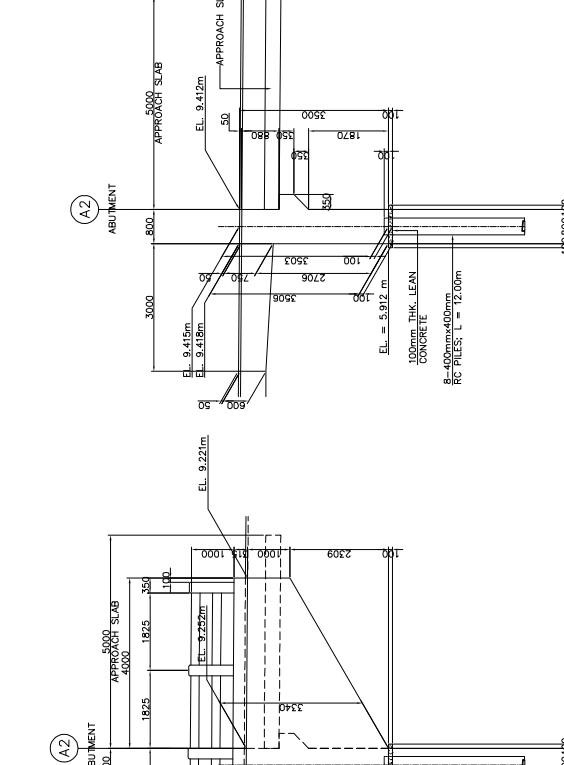
2 PLAN SCALE 1:50



1 ELEVATION SCALE 1:50

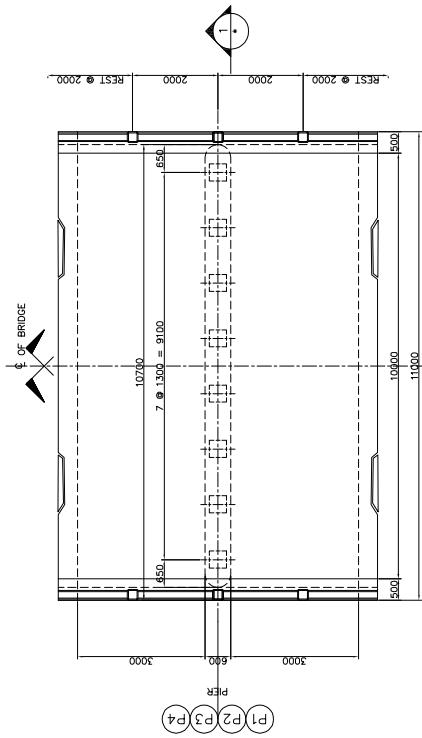


3 ELEVATION SCALE 1:50



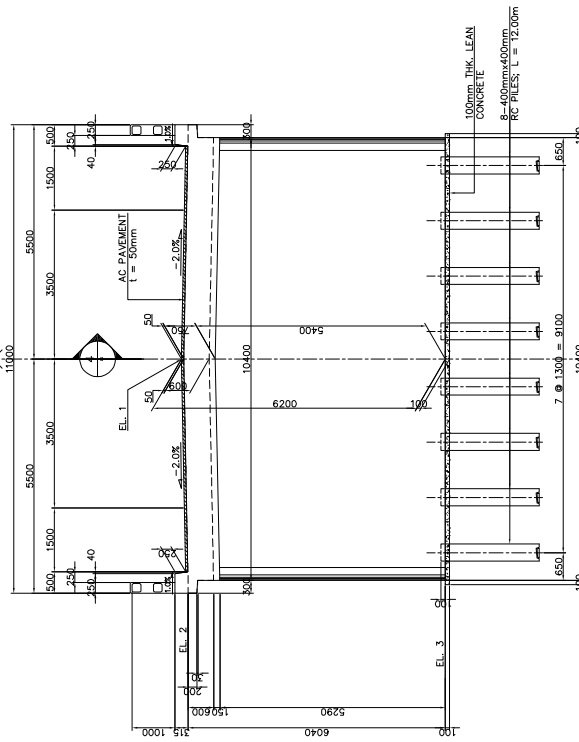
4 SECTION SCALE 1:50

<p>MINISTRY OF PUBLIC WORKS AND TRANSPORT (MPWT)</p>	<p>THE PROJECT FOR FLOOD DISASTER REHABILITATION AND MITIGATION IN THE KINGDOM OF CAMBODIA</p>	<p>JAPAN INTERNATIONAL COOPERATION AGENCY KATAHIRA &amp; ENGINEERS INTERNATIONAL</p>	<p>TITLE : BR-8 MEBON BRIDGE SUBSTRUCTURE STRUCTURAL DIMENSION (ABUT. A2)</p>	<p>SCALE AS SHOWN</p>	<p>Drawing No. 4-4 Sheet No.</p>
--	--	--	---	-----------------------	--------------------------------------

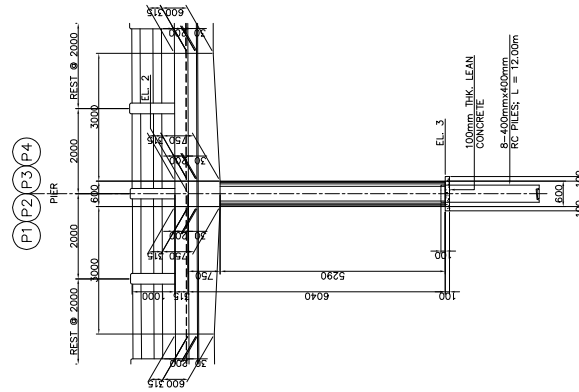


2 PLAN  
SCALE 1:80

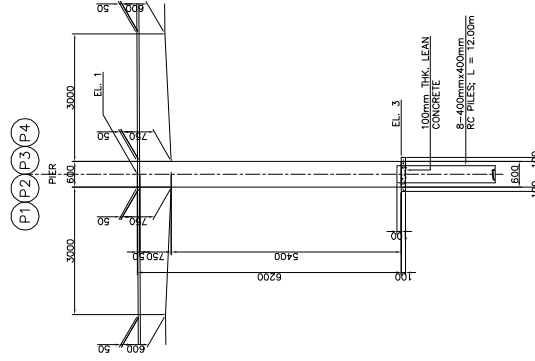
LOCATION	EL. 1	EL. 2	EL. 3
PIER 1	9.485m	9.325m	3.285m
PIER 2	9.508m	9.348m	3.308m
PIER 3	9.503m	9.343m	3.303m
PIER 4	9.471m	9.311m	3.271m



1 ELEVATION  
SCALE 1:80



3 ELEVATION  
SCALE 1:80



4 SECTION  
SCALE 1:80

MINISTRY OF  
PUBLIC WORKS AND TRANSPORT  
(MPWT)

THE PROJECT FOR FLOOD  
DISASTER REHABILITATION AND  
MITIGATION  
IN THE KINGDOM OF CAMBODIA

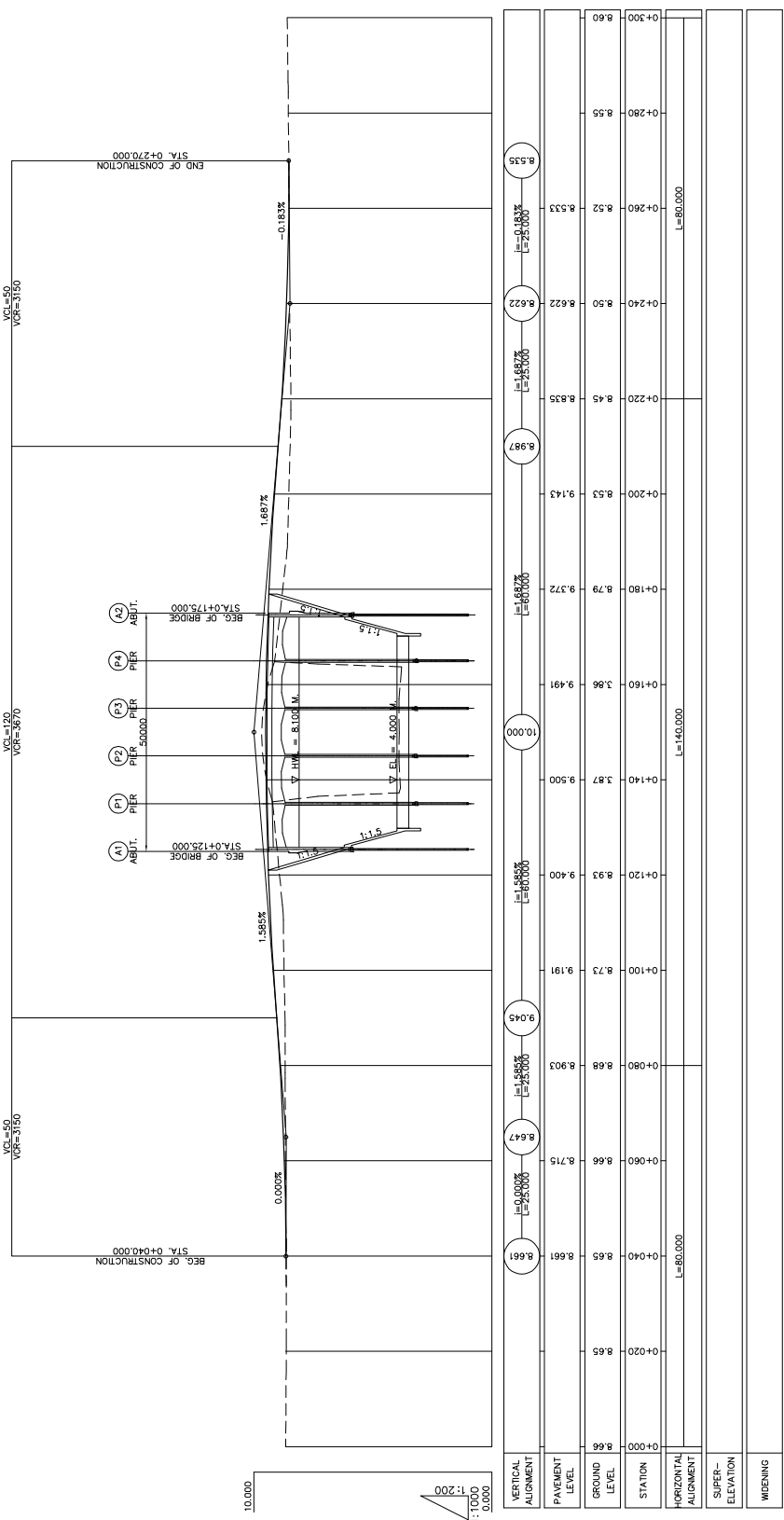
JAPAN INTERNATIONAL COOPERATION AGENCY  
KATAHIRA & ENGINEERS INTERNATIONAL

TITLE:  
BR-8 MEBON BRIDGE  
SUBSTRUCTURE STRUCTURAL DIMENSION  
(PIER P1, P2, P3 & P4)

SCALE  
AS SHOWN

Drawing No.  
Sheet No.

4-5



MINISTRY OF PUBLIC WORKS AND TRANSPORT (MPWT)

THE PROJECT FOR FLOOD DISASTER REHABILITATION AND MITIGATION IN THE KINGDOM OF CAMBODIA

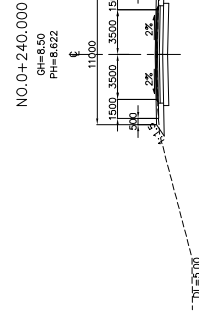
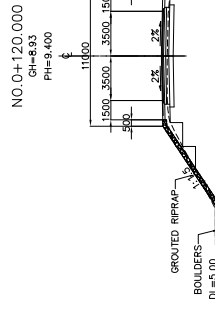
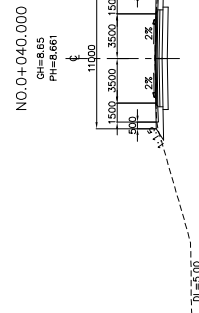
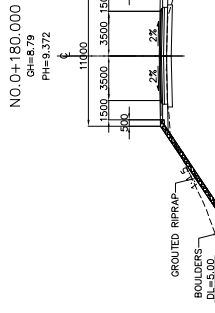
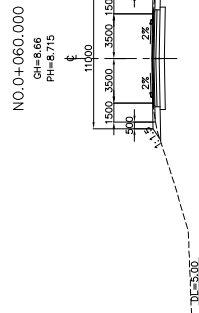
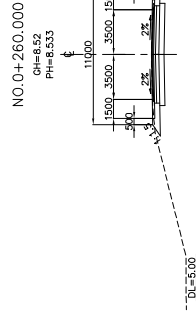
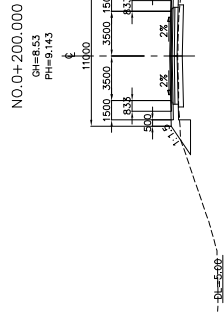
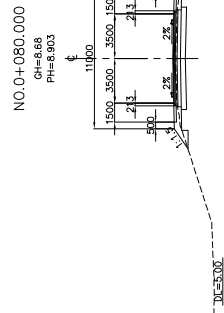
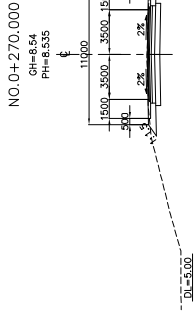
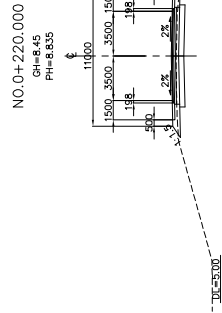
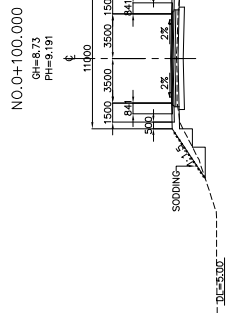
JAPAN INTERNATIONAL COOPERATION AGENCY KATAHIRA & ENGINEERS INTERNATIONAL

BR-8 MEBON BRIDGE APPROACH ROAD PROFILE

SCALE H = 1:1000 V = 1:200

Drawing No. 4 - 6

Sheet No.



MINISTRY OF  
PUBLIC WORKS AND TRANSPORT  
(MPWT)

THE PROJECT FOR FLOOD  
DISASTER REHABILITATION AND  
MITIGATION  
IN THE KINGDOM OF CAMBODIA

JAPAN INTERNATIONAL COOPERATION AGENCY  
KATAHIRA & ENGINEERS INTERNATIONAL

TITLE :  
BR-8 MEBON BRIDGE  
APPROACH ROAD CROSS SECTIONS

SCALE  
1:400

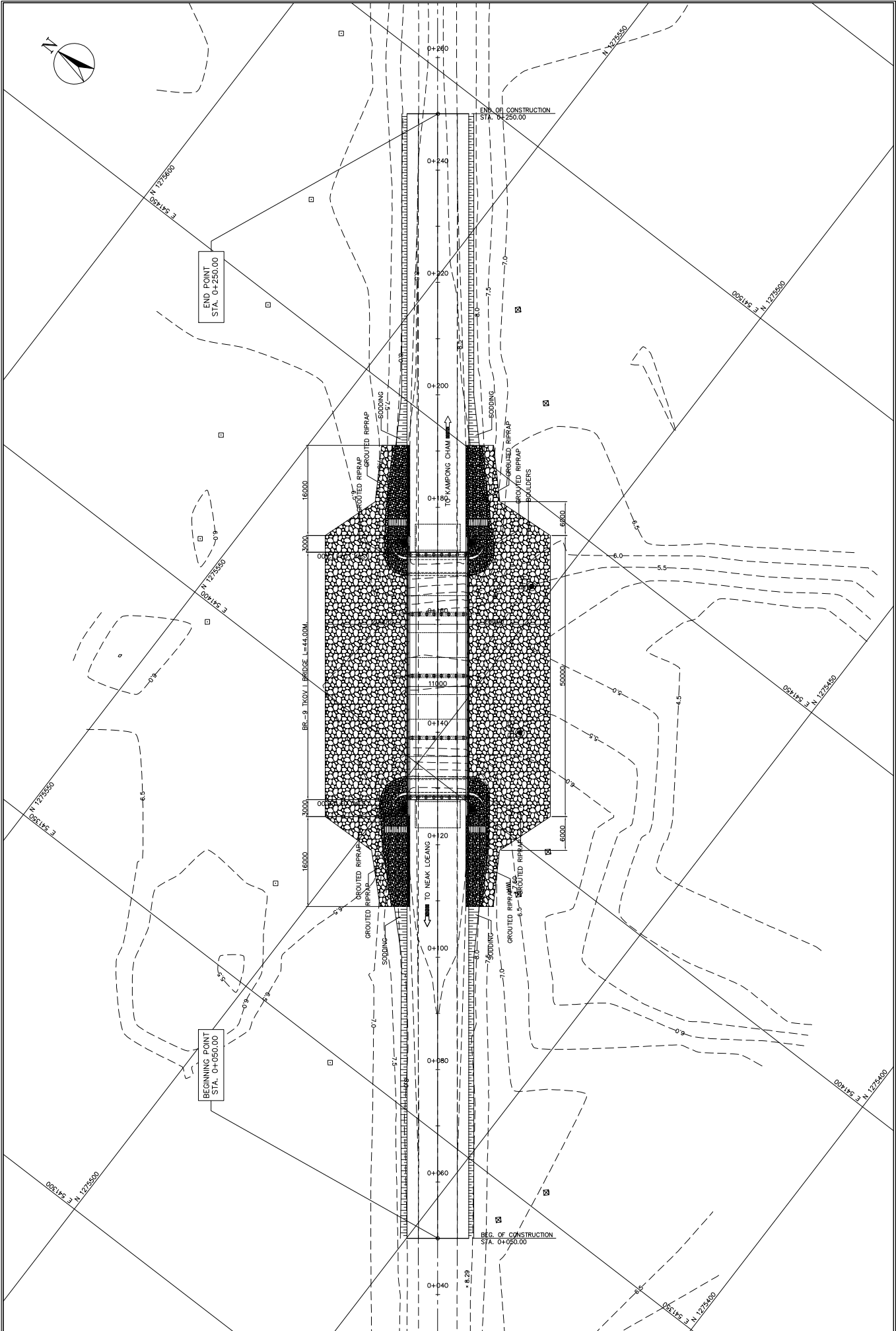
Drawing No. 4-7  
Sheet No.



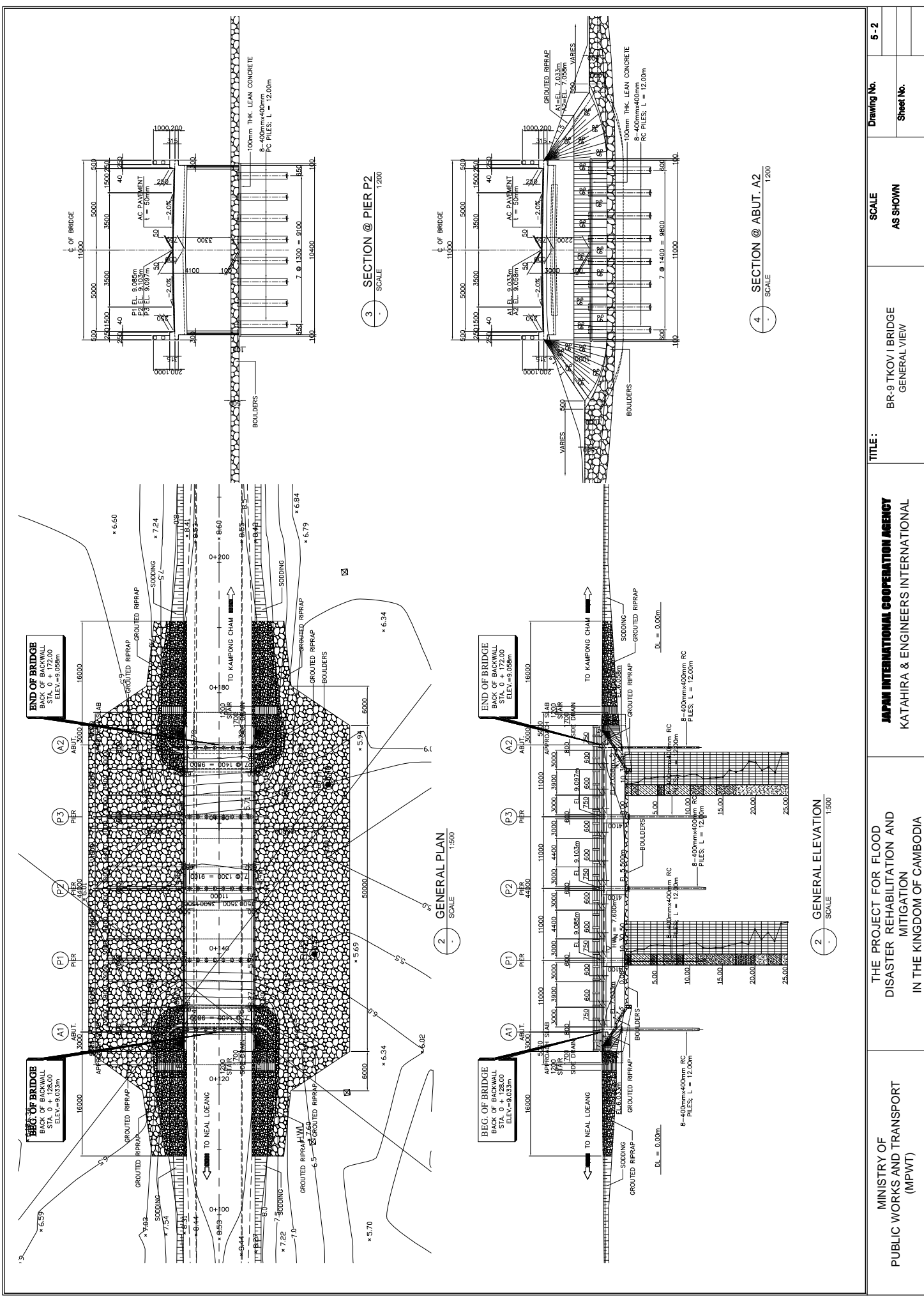
---

# BR-9 TKOV | BRIDGE

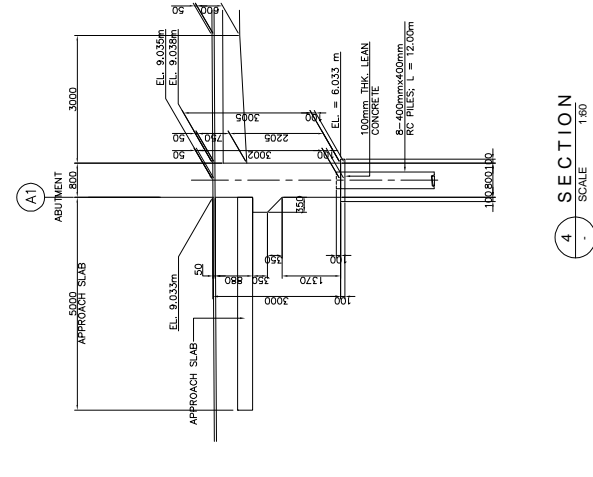
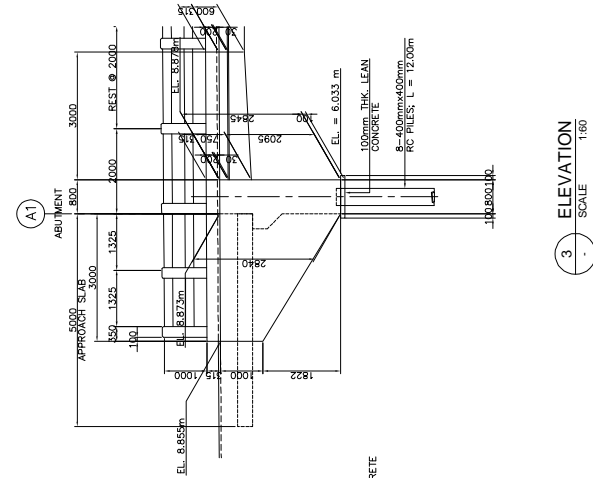
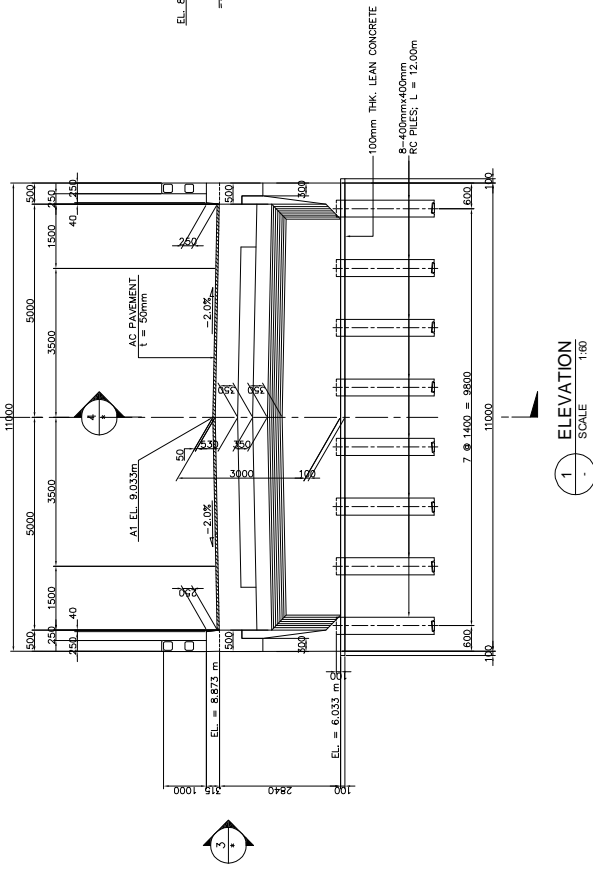
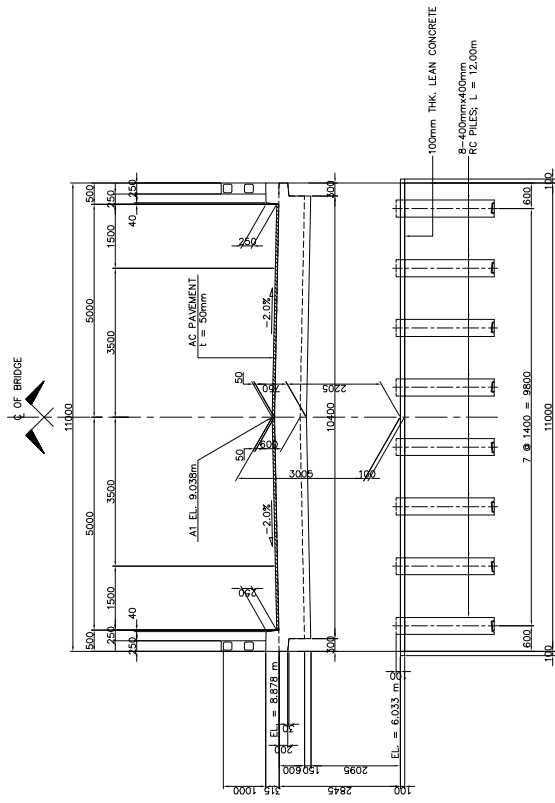
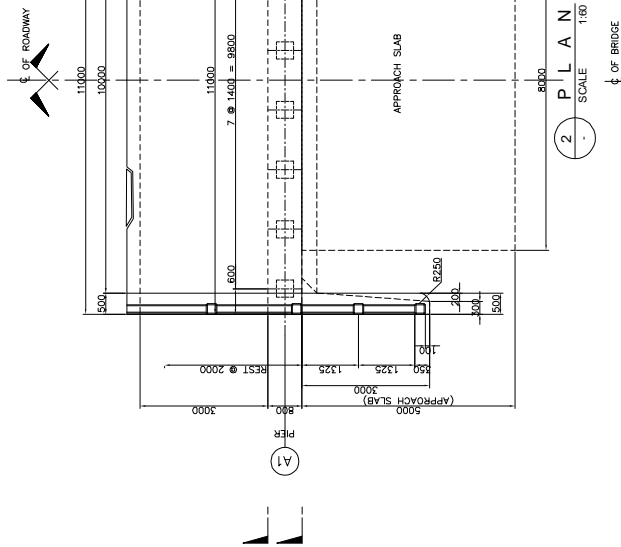
---



MINISTRY OF PUBLIC WORKS AND TRANSPORT (MPWT)	THE PROJECT FOR FLOOD DISASTER REHABILITATION AND MITIGATION IN THE KINGDOM OF CAMBODIA	JAPAN INTERNATIONAL COOPERATION AGENCY KATAHIRA & ENGINEERS INTERNATIONAL	TITLE: BR-9 TKOV I BRIDGE GENERAL SITE PLAN	SCALE	Drawing No.
				1:600	5 - 1
					Sheet No.



Drawing No. <b>5-2</b>	SCALE <b>AS SHOWN</b>	TITLE: <b>BR-9 TKOV I BRIDGE          GENERAL VIEW</b>	JAPAN INTERNATIONAL COOPERATION AGENCY KATAHIRA & ENGINEERS INTERNATIONAL	THE PROJECT FOR FLOOD DISASTER REHABILITATION AND MITIGATION IN THE KINGDOM OF CAMBODIA	MINISTRY OF PUBLIC WORKS AND TRANSPORT (MPWT)
------------------------	--------------------------	---	--	--	---



SECTION  
SCALE 1:60

MINISTRY OF  
PUBLIC WORKS AND TRANSPORT  
(MPWT)

THE PROJECT FOR FLOOD  
DISASTER REHABILITATION AND  
MITIGATION  
IN THE KINGDOM OF CAMBODIA

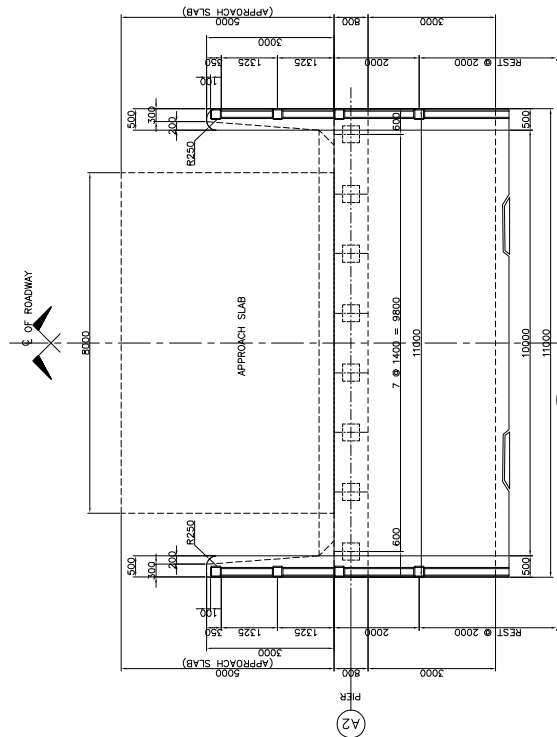
JAPAN INTERNATIONAL COOPERATION AGENCY  
KATAHIRA & ENGINEERS INTERNATIONAL

TITLE: BR-9 TIKOV / BRIDGE  
SUBSTRUCTURE STRUCTURAL DIMENSION  
(ABUT. A1)

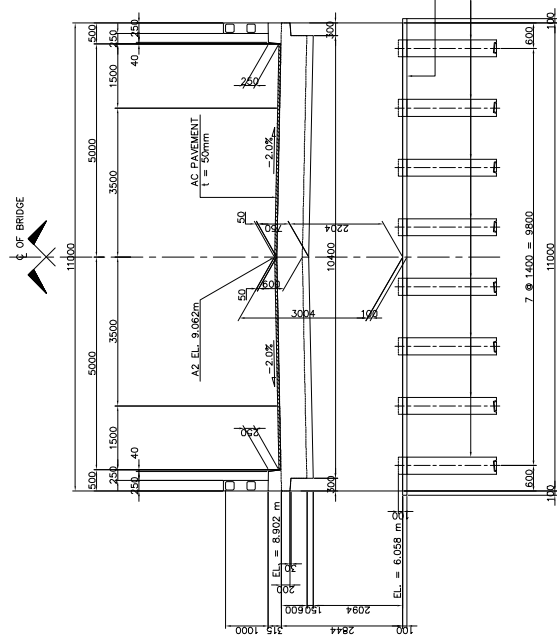
SCALE  
AS SHOWN

Drawing No.  
Sheet No.

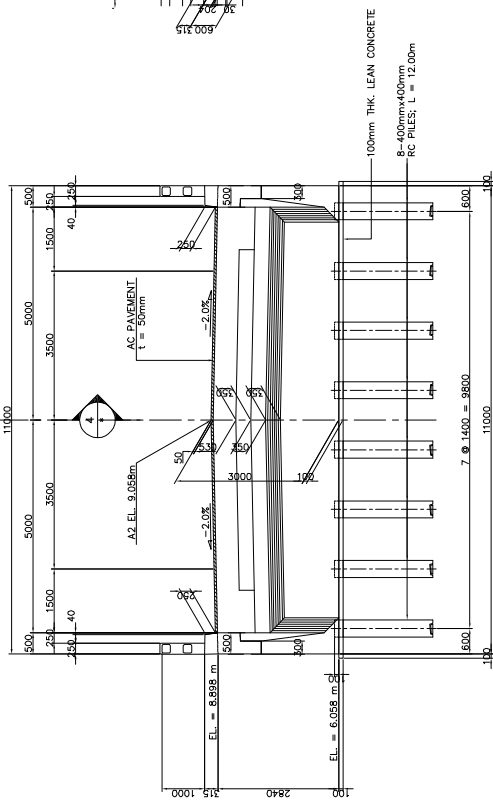
5-3



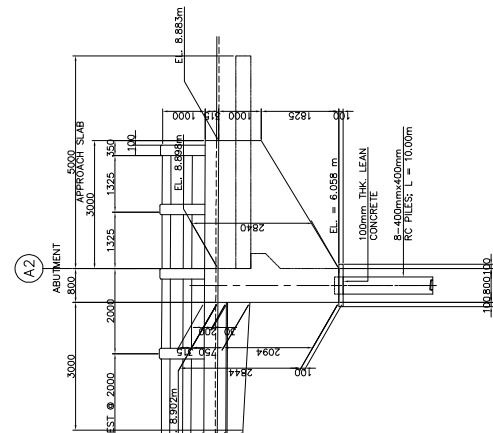
2 PLAN  
SCALE 1:60



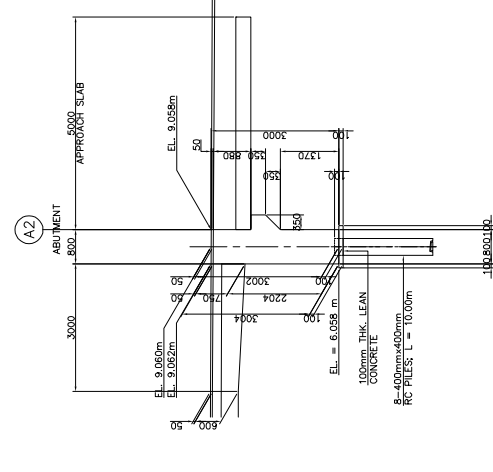
1 PLAN  
SCALE 1:60



1 ELEVATION  
SCALE 1:60



3 ELEVATION  
SCALE 1:60



4 SECTION  
SCALE 1:60

MINISTRY OF  
PUBLIC WORKS AND TRANSPORT  
(MPWT)

THE PROJECT FOR FLOOD  
DISASTER REHABILITATION AND  
MITIGATION  
IN THE KINGDOM OF CAMBODIA

JAPAN INTERNATIONAL COOPERATION AGENCY  
KATAHIRA & ENGINEERS INTERNATIONAL

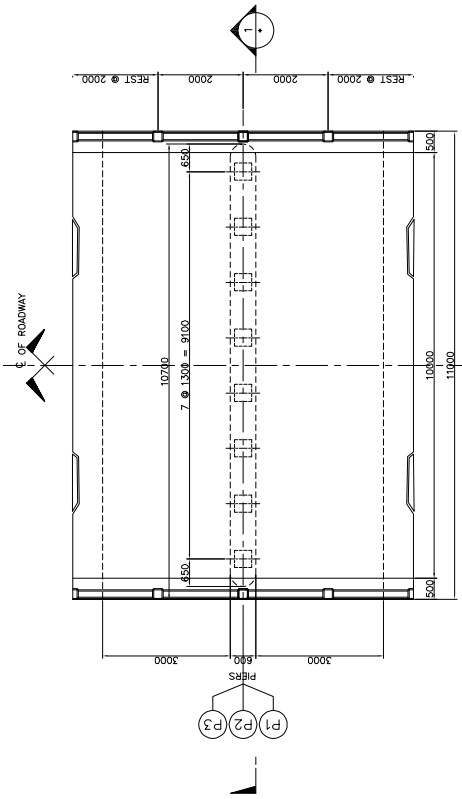
TITLE:  
BR-9 TIKOV I BRIDGE  
SUBSTRUCTURE STRUCTURAL DIMENSION  
(ABUT. A2)

SCALE  
AS SHOWN

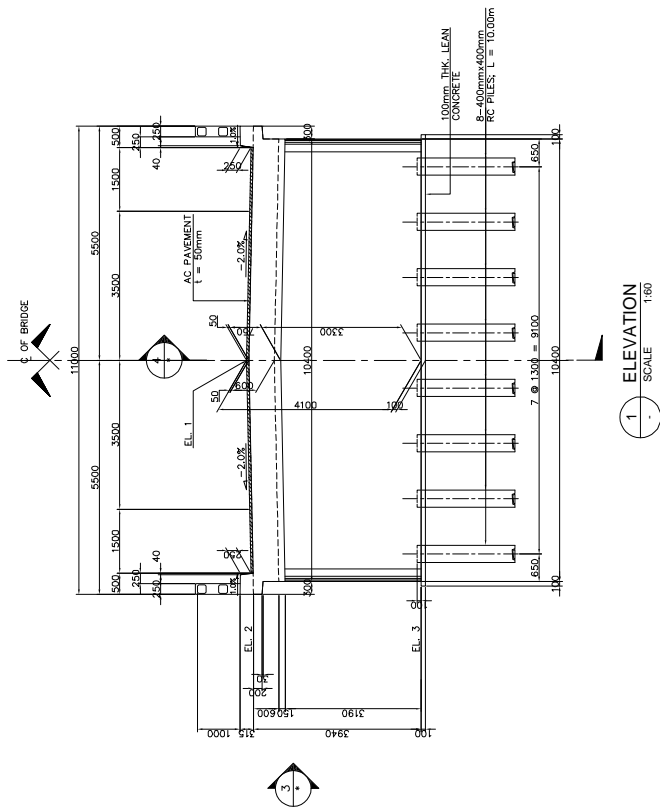
Drawing No.

Sheet No.

5 - 4

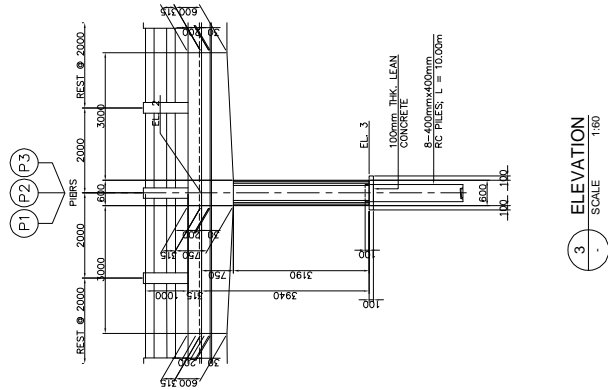


2 PLAN SCALE 1:80

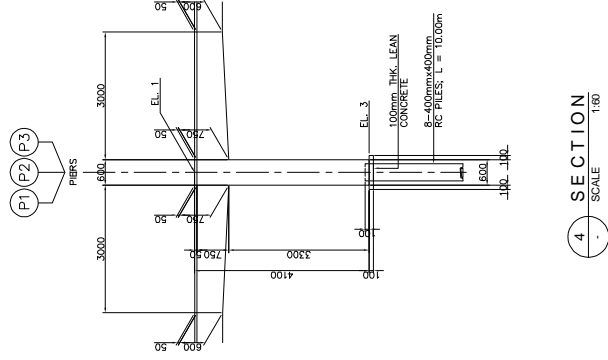


1 ELEVATION SCALE 1:80

TABLE OF ELEVATIONS			
LOCATION	EL. 1	EL. 2	EL. 3
PIER 1	9.085m	8.925m	4.985m
PIER 2	9.103m	8.943m	5.033m
PIER 3	9.097m	8.927m	4.997m



3 ELEVATION SCALE 1:80



4 SECTION SCALE 1:80

MINISTRY OF PUBLIC WORKS AND TRANSPORT (MPWT)

THE PROJECT FOR FLOOD DISASTER REHABILITATION AND MITIGATION IN THE KINGDOM OF CAMBODIA

JAPAN INTERNATIONAL COOPERATION AGENCY KATAHIRA & ENGINEERS INTERNATIONAL

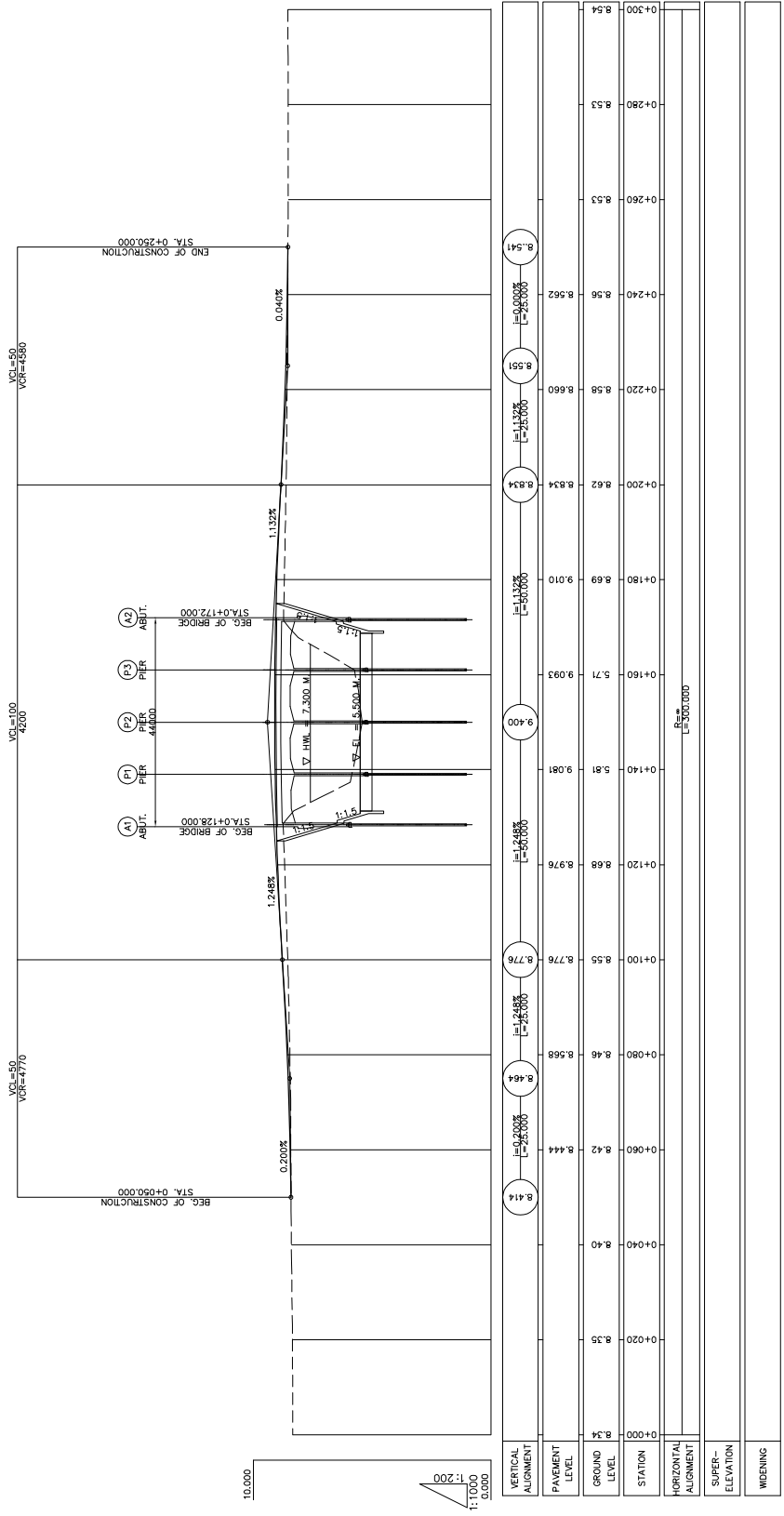
TITLE: BR-9 TIKOV I BRIDGE SUBSTRUCTURE STRUCTURAL DIMENSION (PIER P1, P2 & P3)

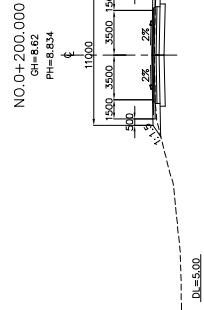
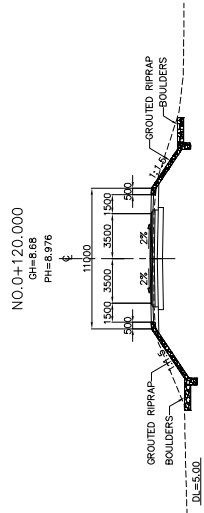
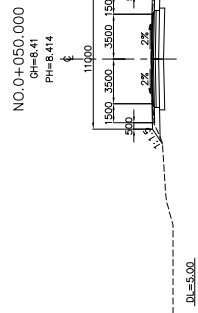
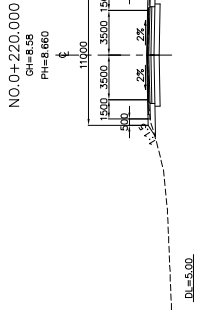
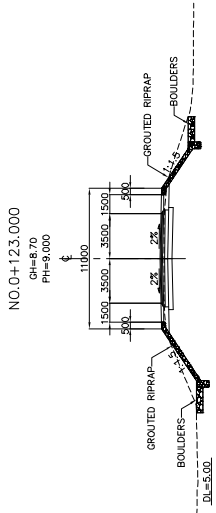
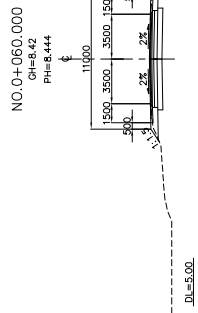
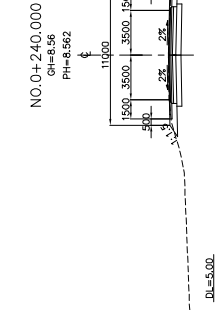
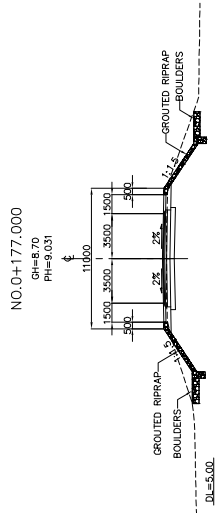
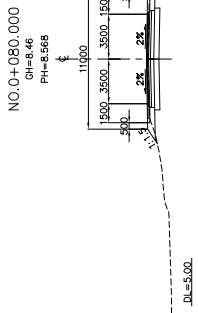
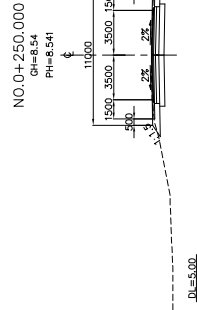
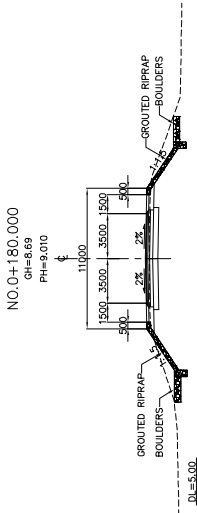
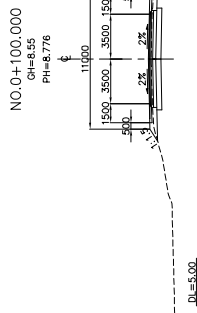
SCALE AS SHOWN

Drawing No.

Sheet No.

5-5





MINISTRY OF  
PUBLIC WORKS AND TRANSPORT  
(MPWT)

THE PROJECT FOR FLOOD  
DISASTER REHABILITATION AND  
MITIGATION  
IN THE KINGDOM OF CAMBODIA

JAPAN INTERNATIONAL COOPERATION AGENCY  
KATAHIRA & ENGINEERS INTERNATIONAL

TITLE:  
BR-9 TKOVI I BRIDGE  
APPROACH ROAD CROSS SECTIONS

SCALE  
1 : 400

Drawing No.  
Sheet No.

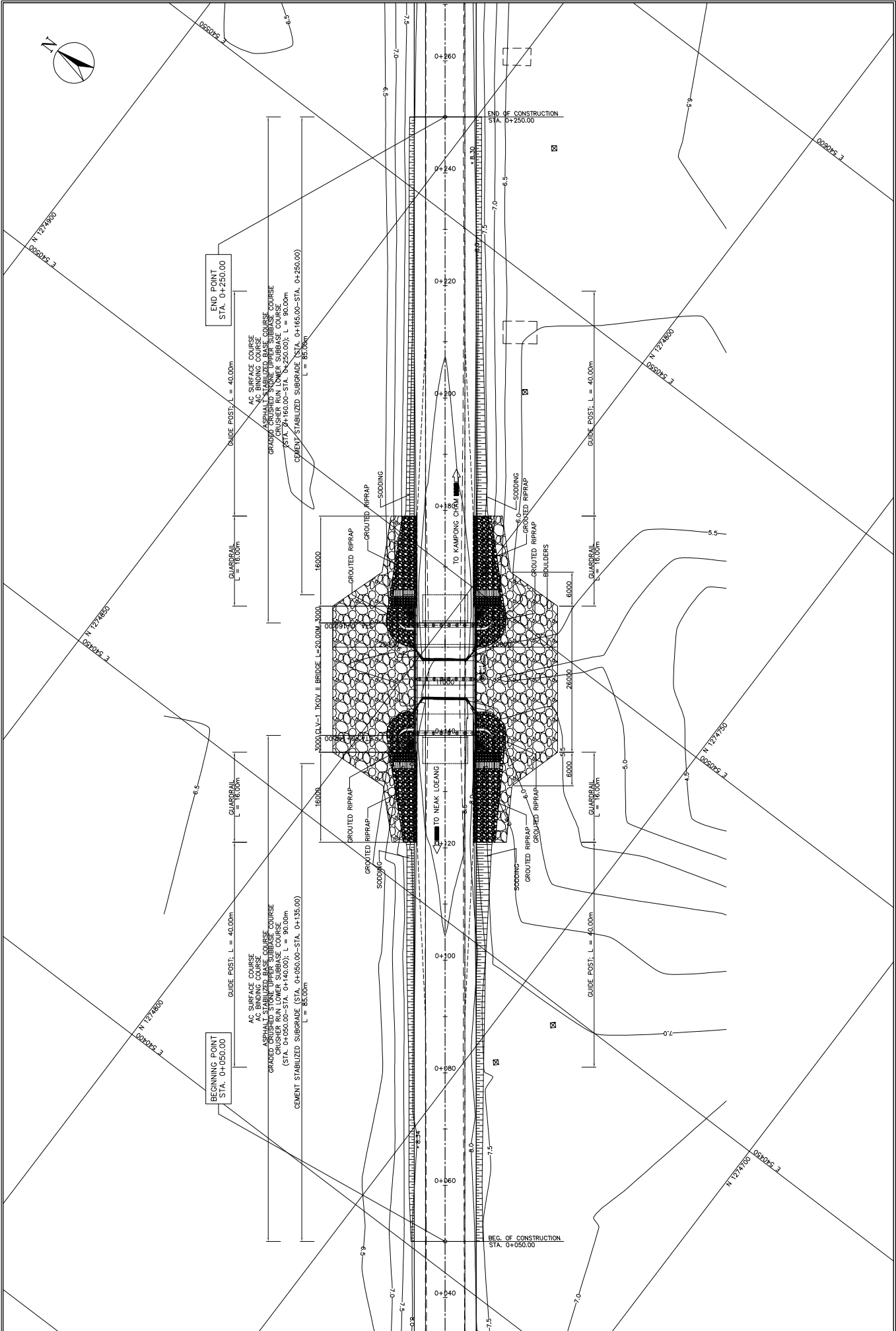
5 - 7



---

# CLV-1 TKOV II BRIDGE

---



MINISTRY OF PUBLIC WORKS AND TRANSPORT (MPWT)	THE PROJECT FOR FLOOD DISASTER REHABILITATION AND MITIGATION IN THE KINGDOM OF CAMBODIA	JAPAN INTERNATIONAL COOPERATION AGENCY KATAHIRA & ENGINEERS INTERNATIONAL	TITLE: CL.V-1 TKOV II BRIDGE GENERAL SITE PLAN	SCALE	Drawing No.
				1:800	6 - 1
				Sheet No.	