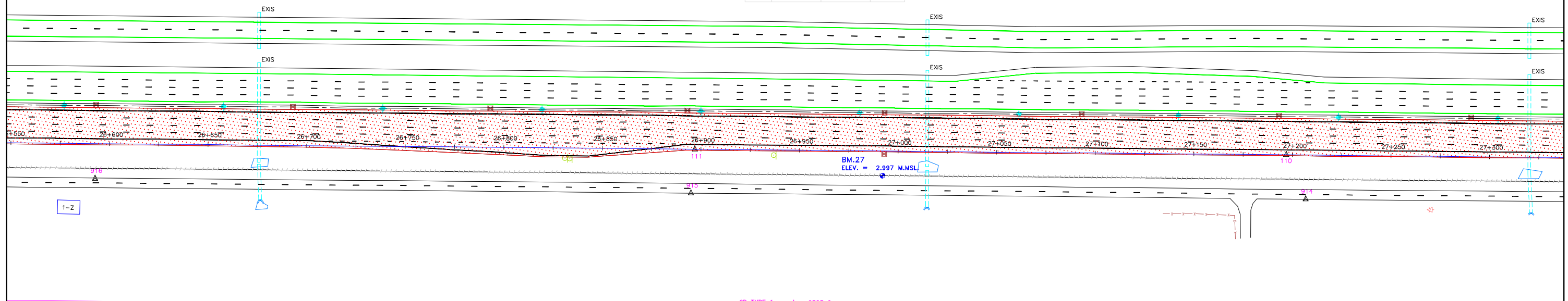


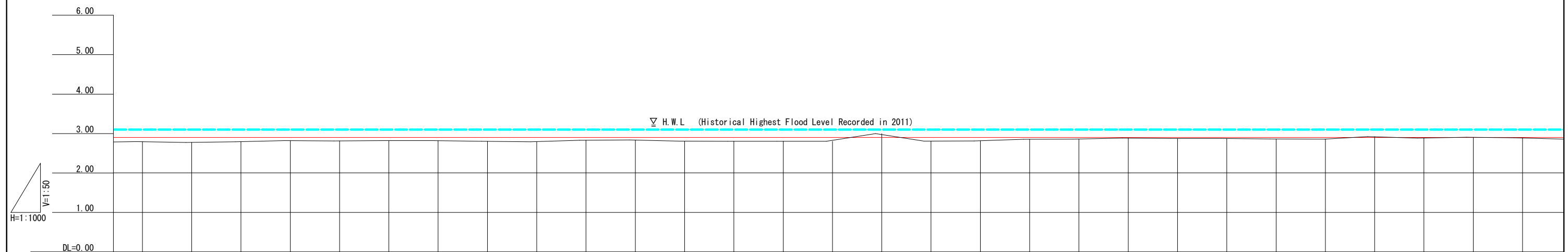
CONTROL POINTS :

STA.	N	E	ELEV.
110	1544119.074	685011.499	2.861
111	1544419.033	685014.351	2.807
914	1544109.212	684988.988	2.541
915	1544421.058	684992.034	2.521



CB TYPE 1-a L = 3525.0

RAISING PLAN - 1 SECTION



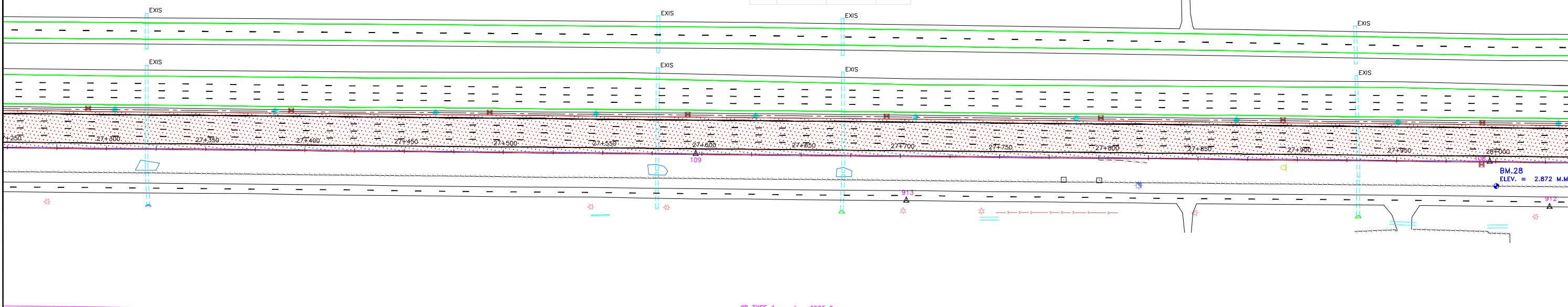
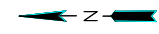
GRADE	level																														
	L=3600.000																														
FORMATION HEIGHT	2.898	2.898	2.898	2.898	2.898	2.898	2.898	2.898	2.898	2.898	2.898	2.898	2.898	2.898	2.898	2.898	2.898	2.898	2.898	2.898	2.898	2.898	2.898	2.898	2.898	2.898	2.898	2.898	2.898	2.898	2.898
EMBANKMENT	0.098	0.128	0.108	0.078	0.088	0.078	0.078	0.098	0.108	0.068	0.068	0.068	0.088	0.098	0.098	0.098	0.098	0.088	0.088	0.048	0.038	0.018	0.018	0.028	0.038	0.038	0.038	0.018	0.008	0.008	
GROUND HEIGHT	2.80	2.77	2.79	2.82	2.81	2.82	2.82	2.80	2.79	2.83	2.83	2.81	2.80	2.80	2.80	3.00	2.81	2.81	2.85	2.86	2.88	2.88	2.88	2.87	2.86	2.86	2.92	2.88	2.90	2.89	
DESIGN FLOOD LEVEL	3.098	3.098	3.098	3.098	3.098	3.098	3.098	3.098	3.098	3.098	3.098	3.098	3.098	3.098	3.098	3.098	3.098	3.098	3.098	3.098	3.098	3.098	3.098	3.098	3.098	3.098	3.098	3.098	3.098	3.098	
STATION	26+625	+650	+675	+700	+725	+750	+775	+800	+825	+850	+875	+900	+925	+950	+975	27+0	+25	+50	+75	+100	+125	+150	+175	+200	+225	+250	+275	+300	+325		
HORIZONTAL CURVATURE																	R=∞ L=3848.158														
SUPER ELEVATION																	-2.5%														

REV. NO.	DESCRIPTION	ENGINEER CHECKED	ENGINEER DATE	DOH CHECKED	DOH DATE	REV. NO.	APPROVED BY	<p>KINGDOM OF THAILAND MINISTRY OF TRANSPORT DEPARTMENT OF HIGHWAYS</p>	HIGHWAY ROUTE NO. 9	OWNER	PROJECT TITLE	<p>CTI ENGINEERING INTERNATIONAL CO., LTD. ORIENTAL CONSULTANTS CO., LTD. NIPPON KOEI CO., LTD. CTI ENGINEERING CO., LTD.</p>	DESIGNED BY	CHECKED BY	DATE	SCALE
									PLAN & PROFILE (39 / 43)	The Inter-City Motorways Division Department of Highways Ministry of Transport	The Preparatory Survey on the Rehabilitation Project of the Outer Bangkok Ring Road		SAGARA Hidetaka ROAD ENGINEER	WATANABE Ryohei CHIEF ENGINEER	AUGUST 2012	V=1/50 H=1/1000
									KM. 26+600 TO KM. 27+300						DWG. NO.	SHEET NO.

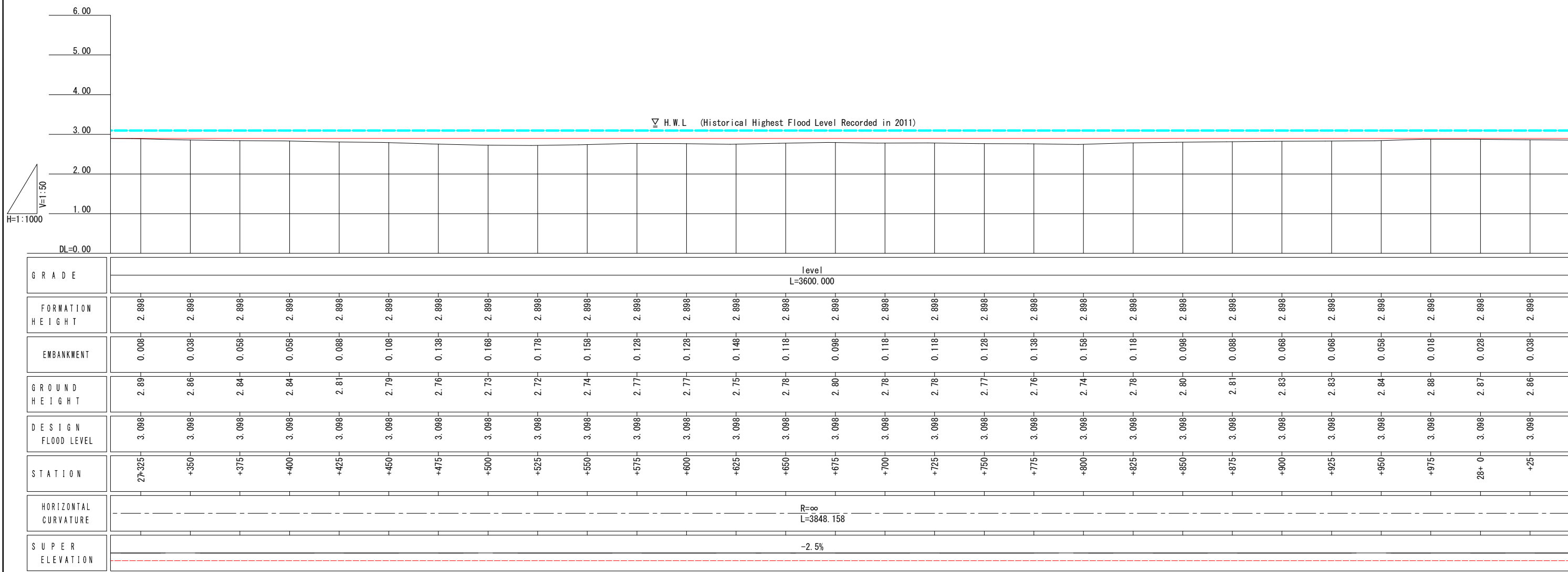
MW-45 50

CONTROL POINTS :

STA.	N	E	ELEV.
108	1543319.054	685003.777	2.874
109	1543719.099	685007.665	2.765
913	1543612.995	684984.142	2.419



RAISING PLAN - 1 SECTION

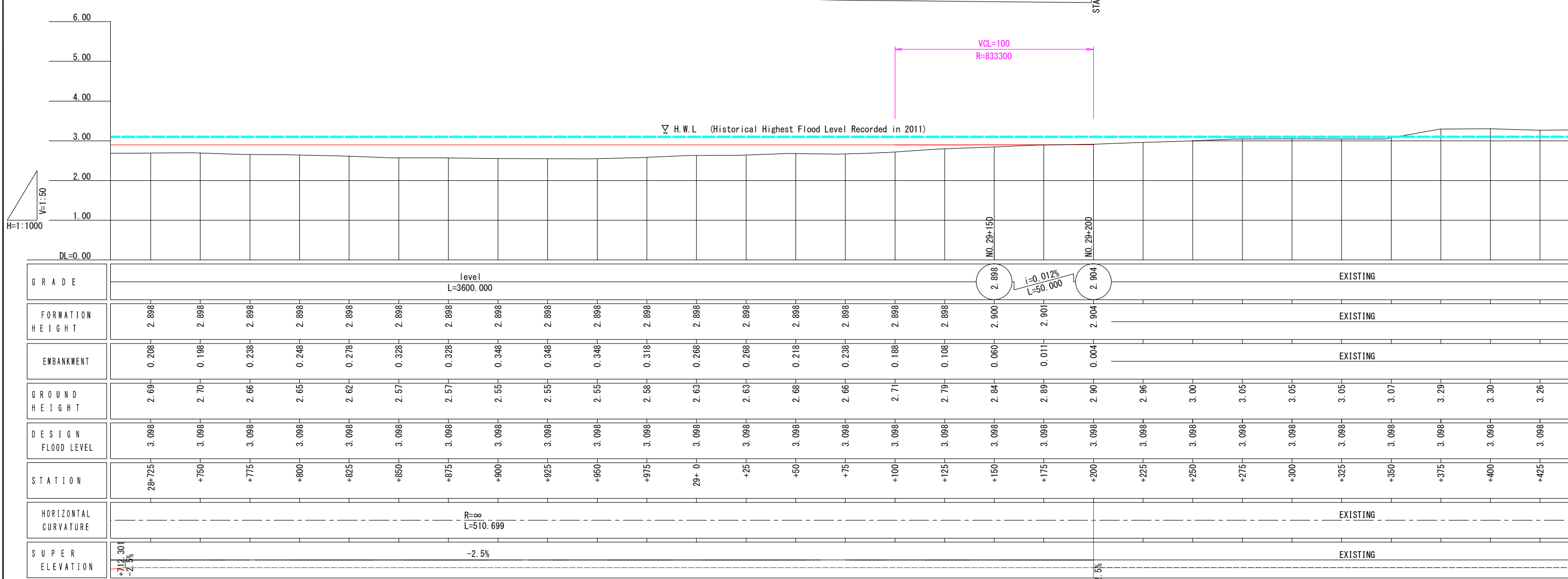
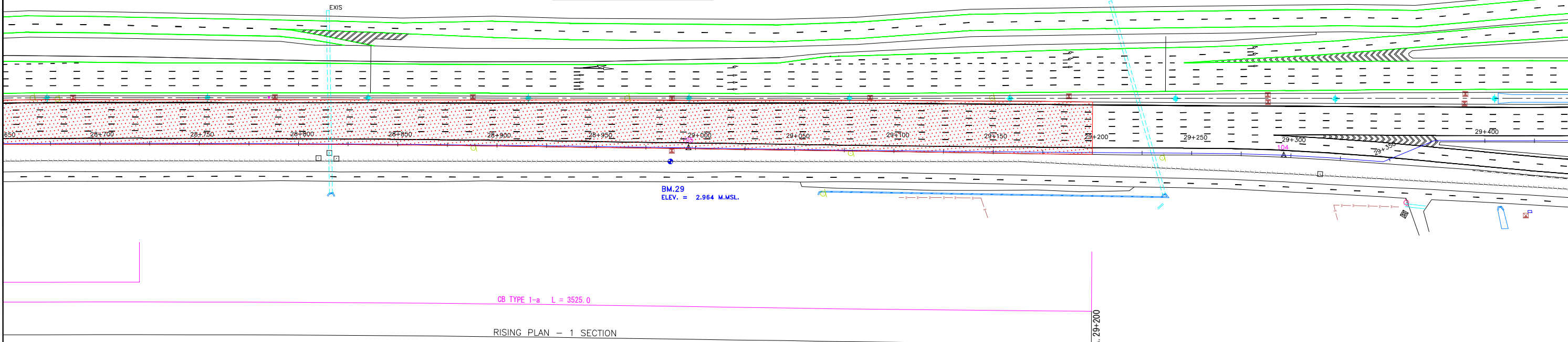


REV. NO.	DESCRIPTION	ENGINEER CHECKED	ENGINEER DATE	DOH CHECKED	DOH DATE	REV. NO.	APPROVED BY	<p>KINGDOM OF THAILAND MINISTRY OF TRANSPORT DEPARTMENT OF HIGHWAYS</p>	HIGHWAY ROUTE NO. 9	OWNER	PROJECT TITLE	<p>CTI ENGINEERING INTERNATIONAL CO., LTD. ORIENTAL CONSULTANTS CO., LTD. NIPPON KOEI CO., LTD. CTI ENGINEERING CO., LTD.</p>	DESIGNED BY	CHECKED BY	DATE	SCALE
									PLAN & PROFILE (40 / 43)	The Inter-City Motorways Division Department of Highways Ministry of Transport	The Preparatory Survey on the Rehabilitation Project of the Outer Bangkok Ring Road		SAGARA Hidetaka ROAD ENGINEER	WATANABE Ryohei CHIEF ENGINEER	AUGUST 2012	V=1/50 H=1/1000
									KM. 27+300 TO KM. 28+000						DWG. NO.	SHEET NO.

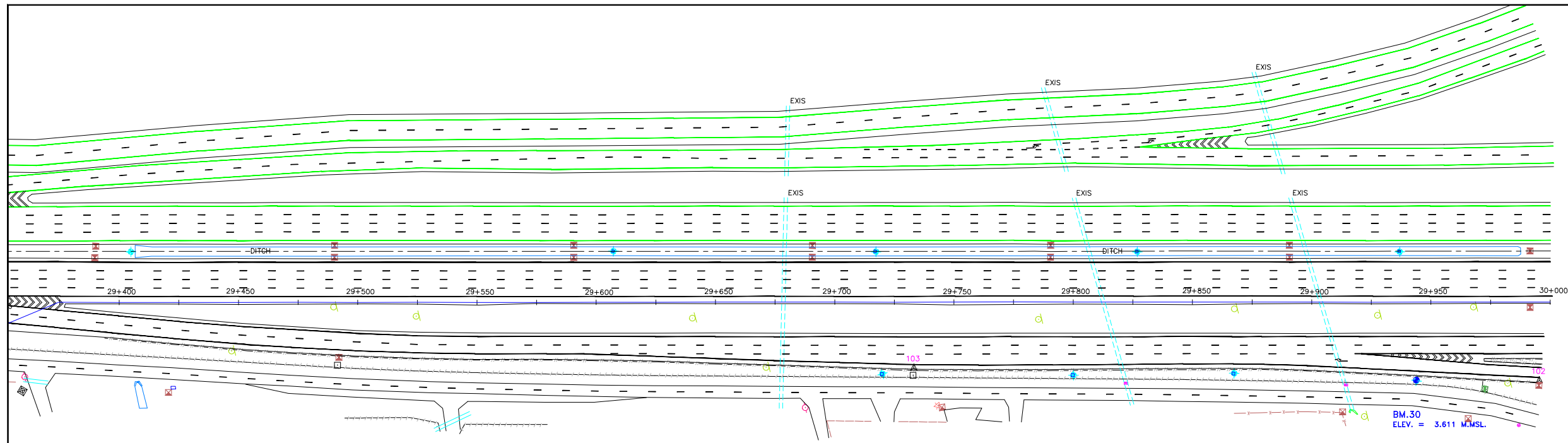
DWG. NO. **MW-46** SHEET NO. **51**

CONTROL POINTS :

STA.	N	E	ELEV.
104	1542044.533	684786.384	3.051
105	1542334.592	684862.638	2.632

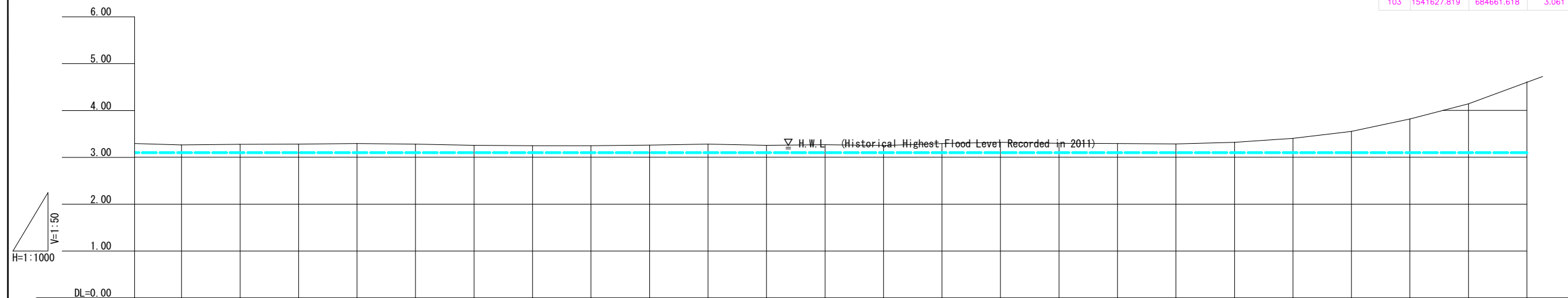


REV. NO.	DESCRIPTION	ENGINEER CHECKED	ENGINEER DATE	DOH CHECKED	DOH DATE	REV. NO.	APPROVED BY	<p>KINGDOM OF THAILAND MINISTRY OF TRANSPORT DEPARTMENT OF HIGHWAYS</p>	HIGHWAY ROUTE NO. 9	OWNER	PROJECT TITLE	<p>CTI ENGINEERING INTERNATIONAL CO., LTD. ORIENTAL CONSULTANTS CO., LTD. NIPPON KOEI CO., LTD. CTI ENGINEERING CO., LTD.</p>	DESIGNED BY	CHECKED BY	DATE	SCALE
									The Inter-City Motorways Division Department of Highways Ministry of Transport	The Preparatory Survey on the Rehabilitation Project of the Outer Bangkok Ring Road	SAGARA Hidetaka ROAD ENGINEER		WATANABE Ryohei CHIEF ENGINEER	AUGUST 2012	V=1/50 H=1/1000	
									KM. 28+700 TO KM. 29+400						DWG. NO. MW-48	SHEET NO. 53



CONTROL POINTS :

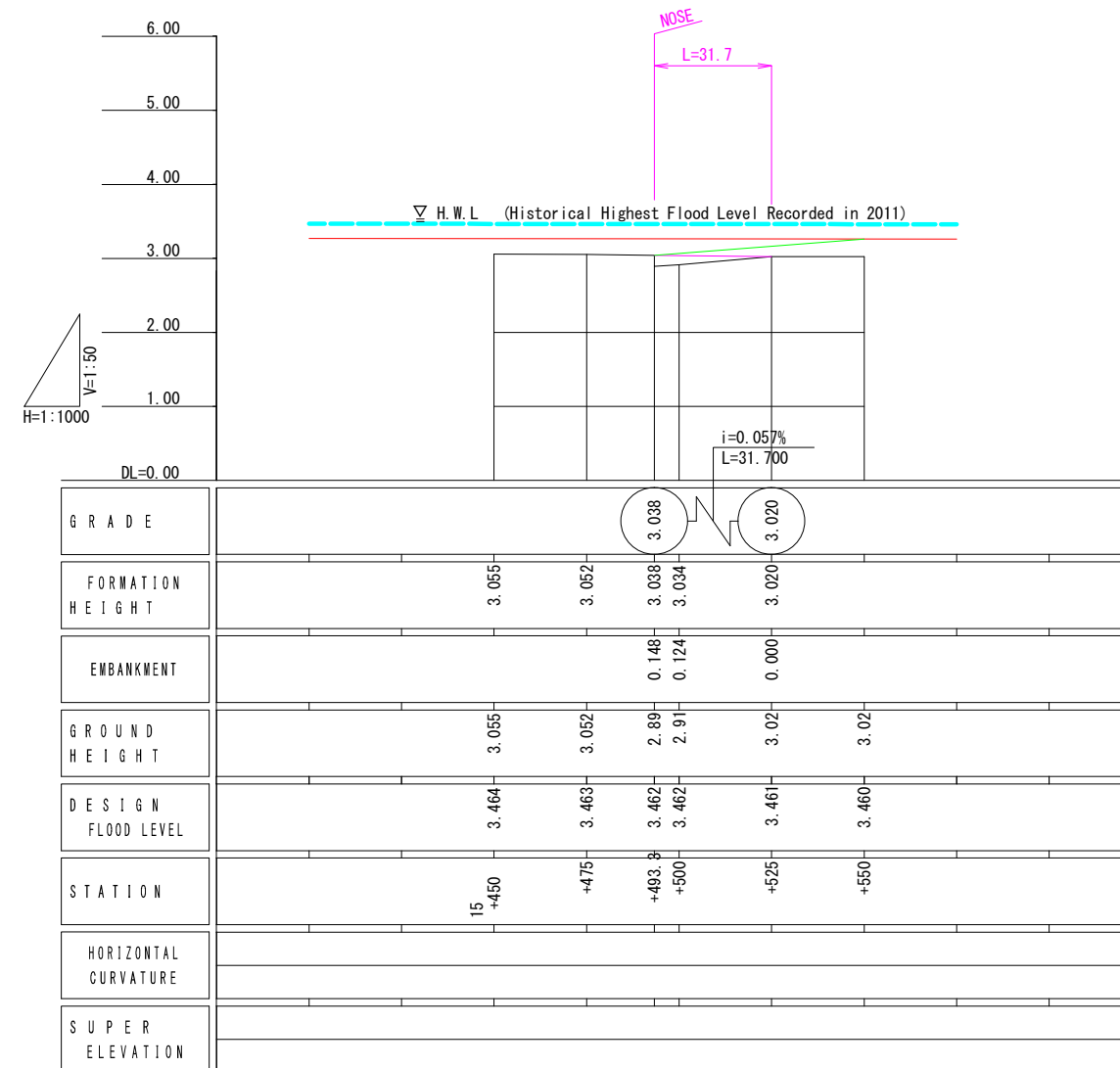
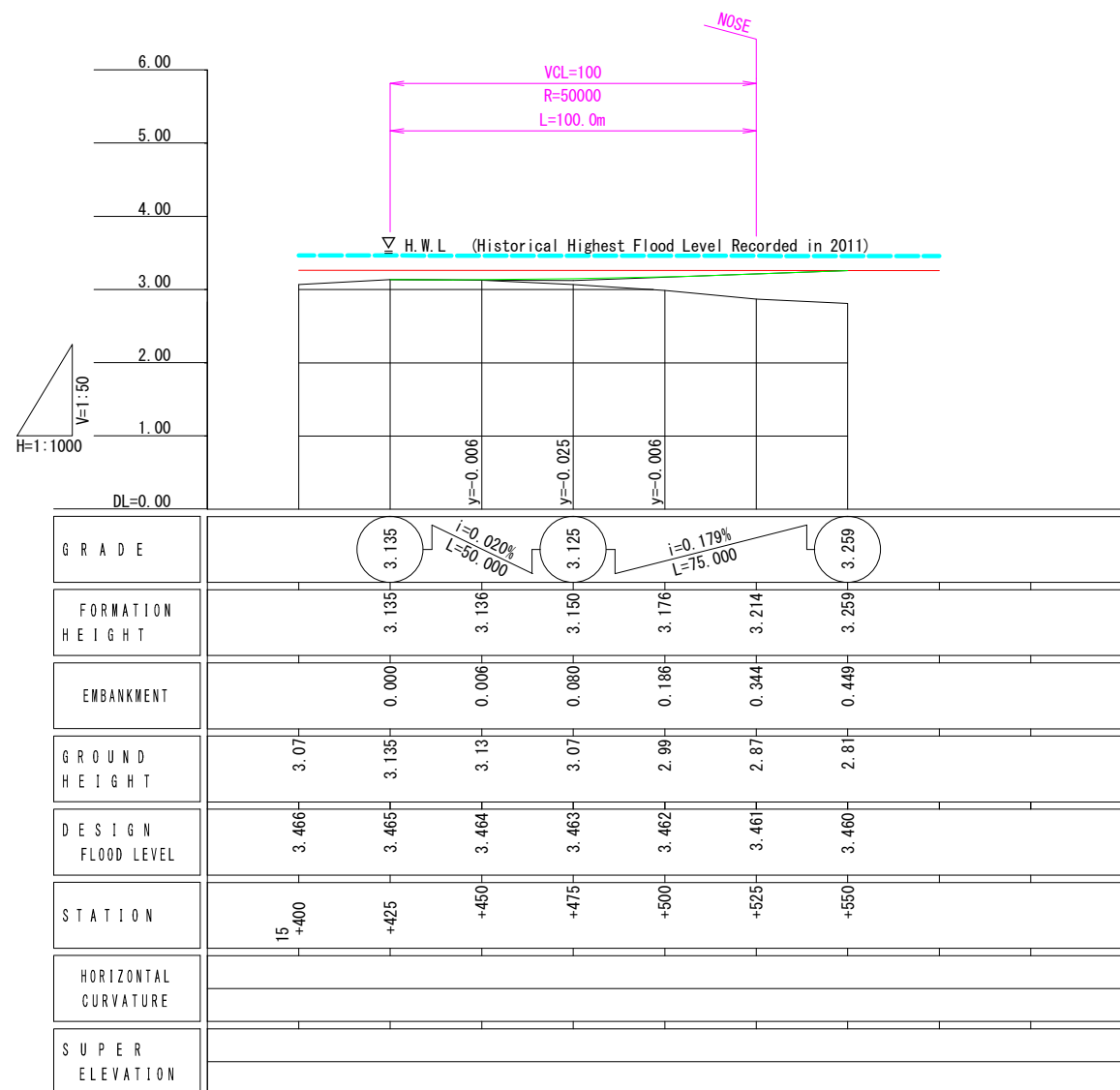
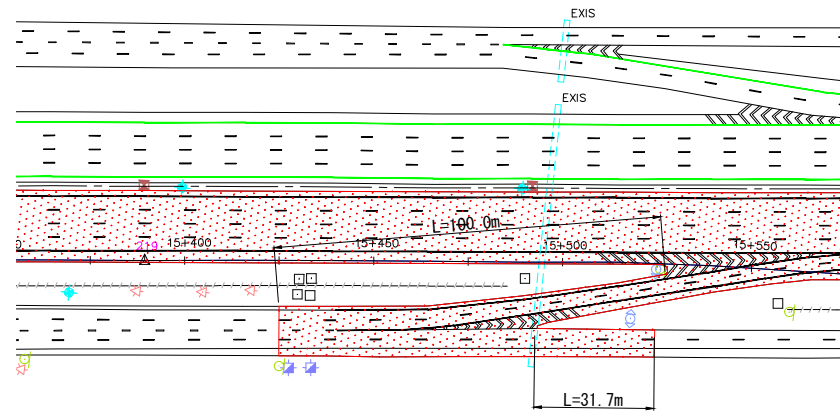
STA.	N	E	ELEV.
102	1541374.597	684593.008	3.137
103	1541627.819	684661.618	3.061



GRADE	EXISTING																							
FORMATION HEIGHT	EXISTING																							
EMBANKMENT	EXISTING																							
GROUND HEIGHT	3.26	3.28	3.28	3.29	3.28	3.25	3.25	3.25	3.26	3.28	3.26	3.27	3.25	3.29	3.32	3.30	3.29	3.28	3.32	3.40	3.55	3.82	4.14	4.60
DESIGN FLOOD LEVEL	3.098	3.098	3.098	3.098	3.098	3.098	3.098	3.098	3.098	3.098	3.098	3.098	3.098	3.098	3.098	3.098	3.098	3.098	3.098	3.098	3.098	3.098	3.098	3.098
STATION	29+425	+450	+475	+500	+525	+550	+575	+600	+625	+650	+675	+700	+725	+750	+775	+800	+825	+850	+875	+900	+925	+950	+975	30+0
HORIZONTAL CURVATURE	EXISTING																							
SUPER ELEVATION	EXISTING																							

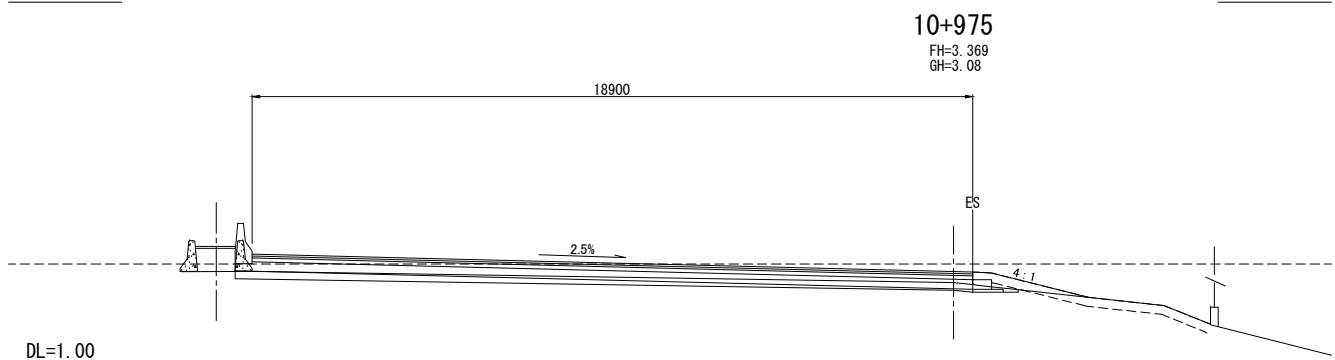
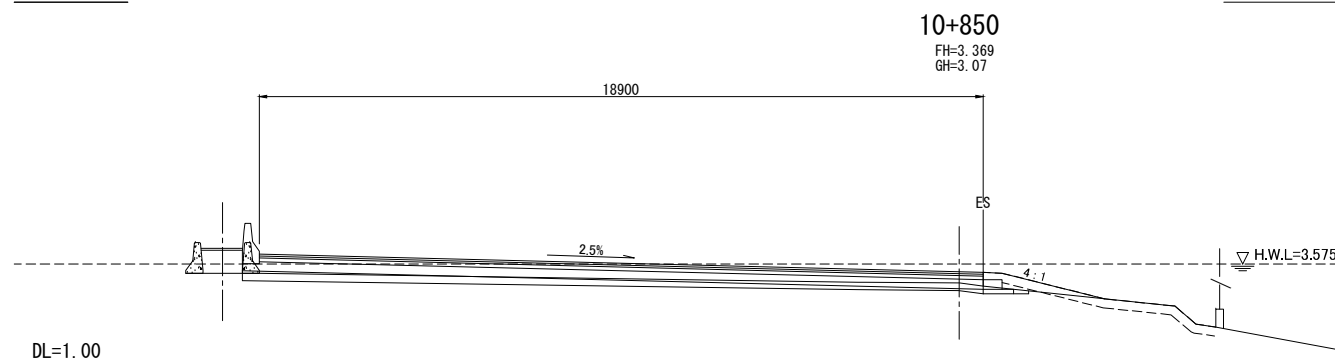
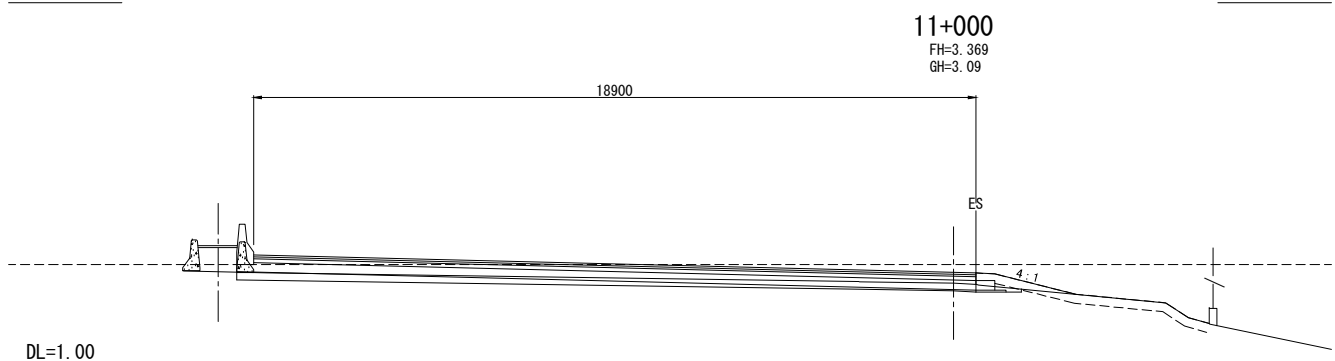
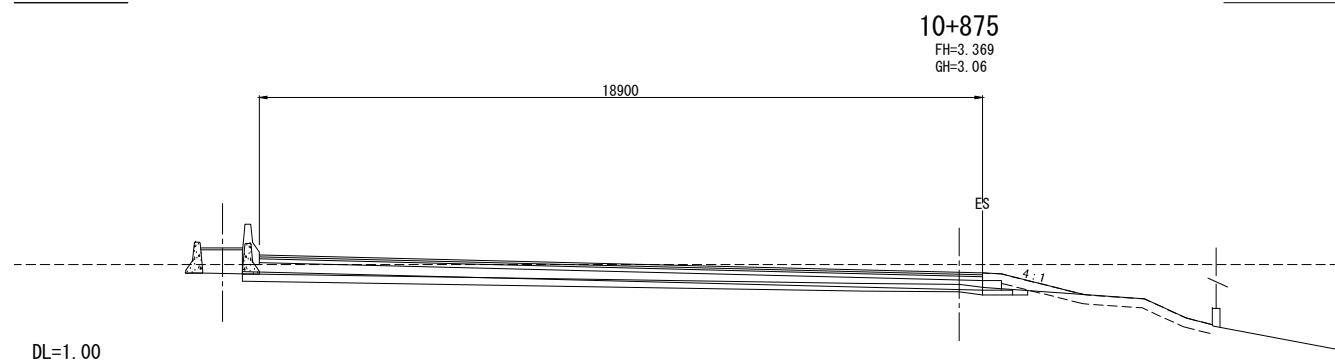
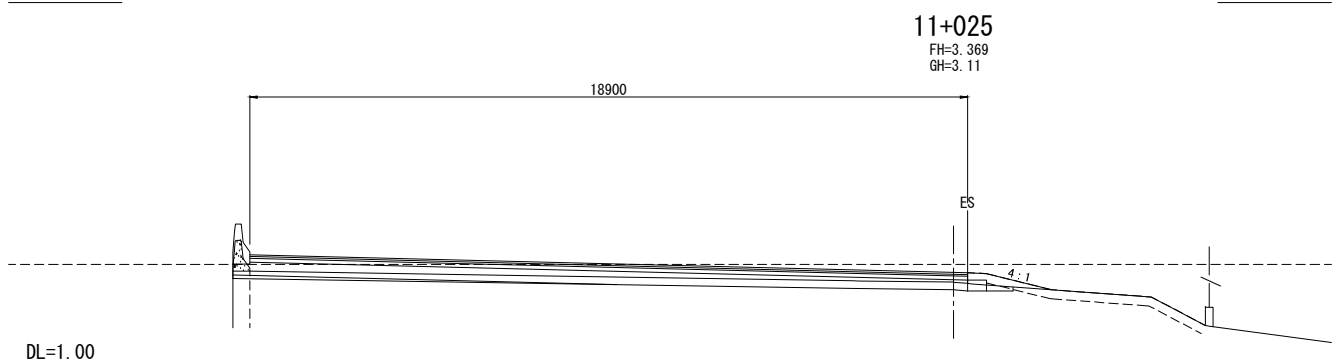
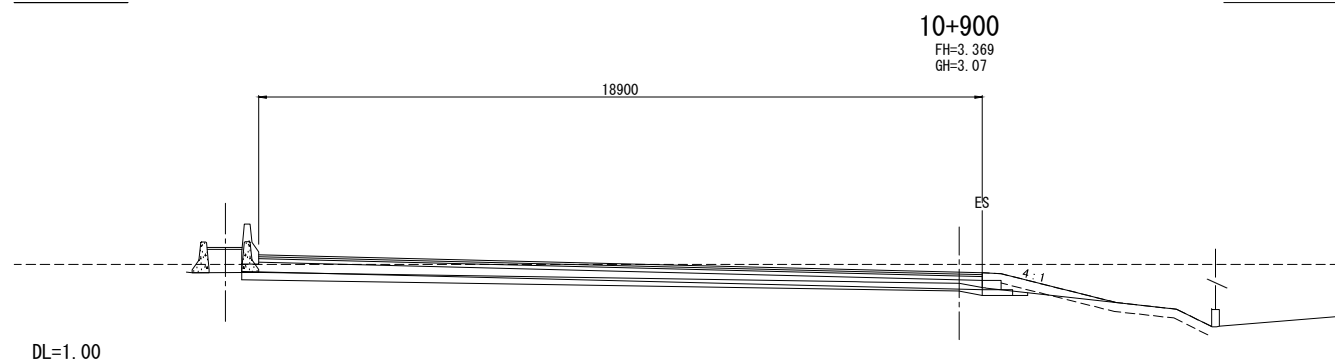
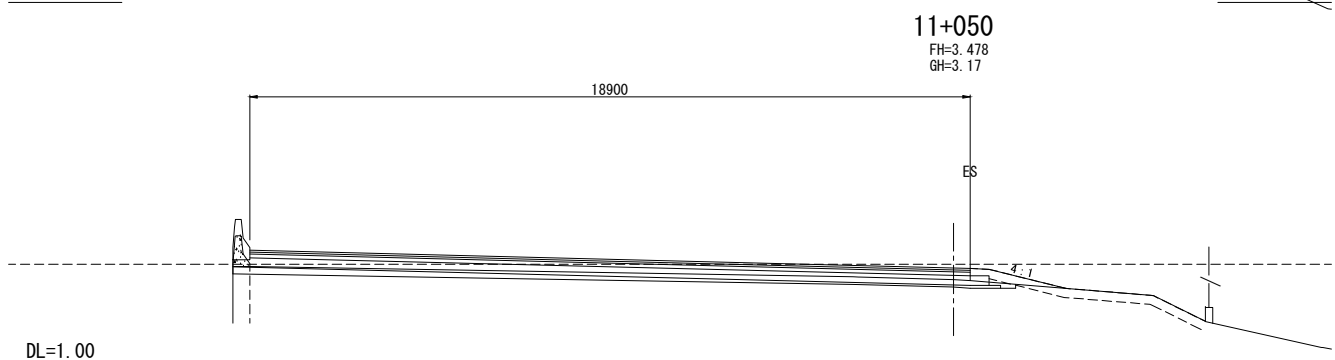
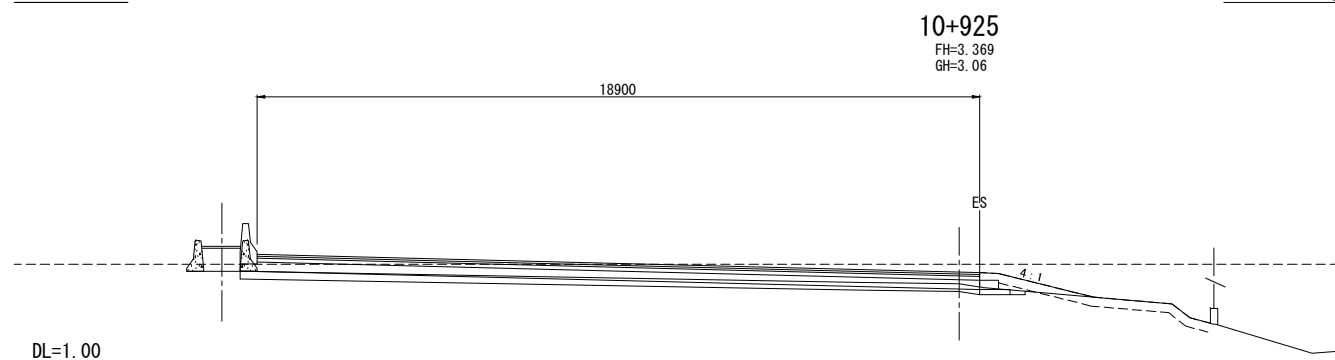
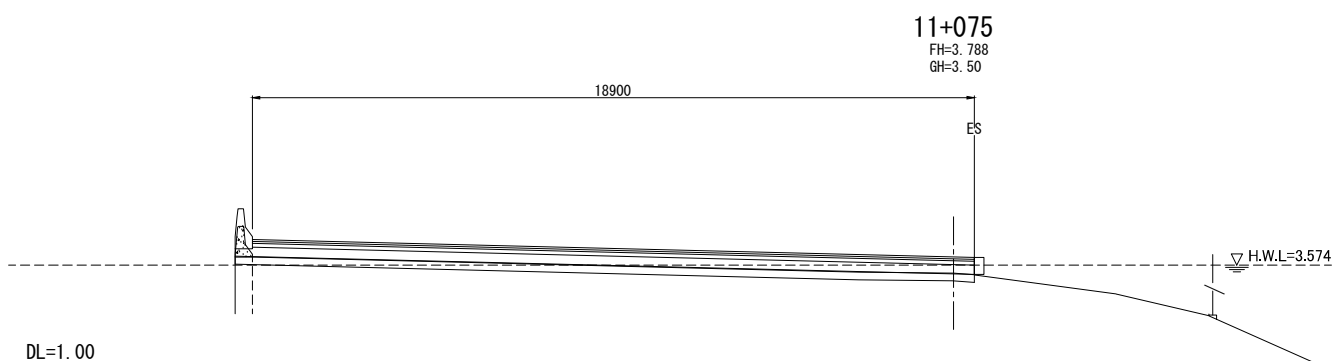
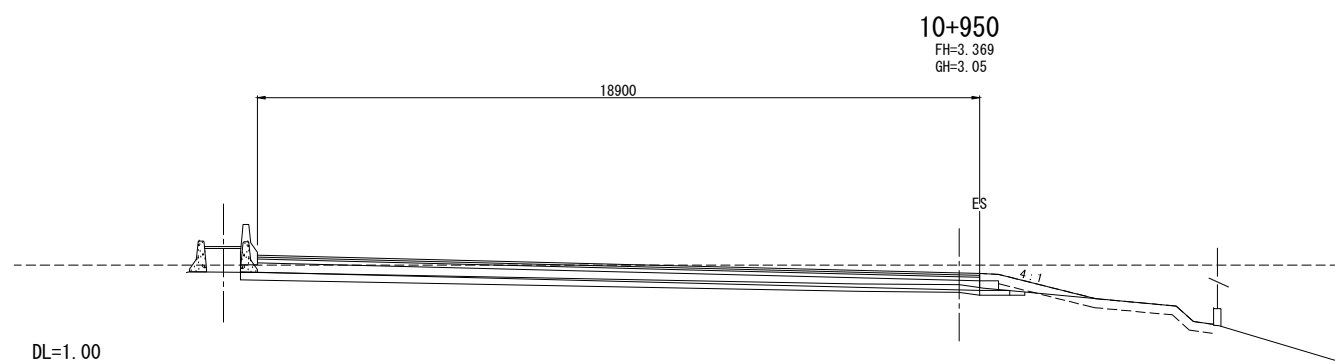
REV. NO.	DESCRIPTION	ENGINEER		DOH		REV. NO.	APPROVED BY	KINGDOM OF THAILAND MINISTRY OF TRANSPORT DEPARTMENT OF HIGHWAYS	HIGHWAY ROUTE NO. 9		OWNER The Inter-City Motorways Division Department of Highways Ministry of Transport	PROJECT TITLE The Preparatory Survey on the Rehabilitation Project of the Outer Bangkok Ring Road	DESIGNED BY SAGARA Hidetaka ROAD ENGINEER	CHECKED BY WATANABE Ryohei CHIEF ENGINEER	DATE :	SCALE :
		CHECKED	DATE	CHECKED	DATE				KM. 29+400	TO KM. 30+000					AUGUST 2012	V=1/50 H=1/1000
															DWG. NO.	SHEET NO.
															MW-49	54

**2-3 PLAN / PROFILE OF RAMP AND
FRONTAGE ROAD**



REV. NO.	DESCRIPTION	ENGINEER CHECKED	ENGINEER DATE	DOH CHECKED	DOH DATE	REV. NO.	APPROVED BY	KINGDOM OF THAILAND MINISTRY OF TRANSPORT DEPARTMENT OF HIGHWAYS	HIGHWAY ROUTE NO. 9	OWNER	PROJECT TITLE	CTI ENGINEERING INTERNATIONAL CO., LTD. ORIENTAL CONSULTANTS CO., LTD. NIPPON KOEI CO., LTD. CTI ENGINEERING CO., LTD.	DESIGNED BY	CHECKED BY	DATE	SCALE
									PLAN & PROFILE OF RAMP AND FRONTAGE ROAD KM. 15+525	The Inter-City Motorways Division Department of Highways Ministry of Transport	The Preparatory Survey on the Rehabilitation Project of the Outer Bangkok Ring Road		SAGARA Hidetaka ROAD ENGINEER	WATANABE Ryohei CHIEF ENGINEER	AUGUST 2012	V=1/50 H=1/1000
																DWG. NO. MW-50

2-4 CROSS SECTIONS



REV. NO.	DESCRIPTION	ENGINEER		DOH		REV. NO.	APPROVED BY	KINGDOM OF THAILAND MINISTRY OF TRANSPORT DEPARTMENT OF HIGHWAYS	HIGHWAY ROUTE NO. 9	OWNER The Inter-City Motorways Division Department of Highways Ministry of Transport	PROJECT TITLE The Preparatory Survey on the Rehabilitation Project of the Outer Bangkok Ring Road	DESIGNED BY SAGARA Hidetaka ROAD ENGINEER	CHECKED BY WATANABE Ryohei CHIEF ENGINEER	DATE:	SCALE:
		CHECKED	DATE	CHECKED	DATE									AUGUST 2012	SCALE 1:100
									CROSS SECTIONS (2 / 70)					DWG. NO. MW-53	SHEET NO. 58

11+185
FH=
GH=7.05

BRIDGE

DL=4.00

11+175
FH=
GH=6.73

BRIDGE

DL=4.00

11+150
FH=
GH=5.90

BRIDGE

DL=3.00

11+124
FH=4.979
GH=4.98

BRIDGE

19432

DL=2.00





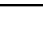
11+100
FH=4.299
GH=4.17

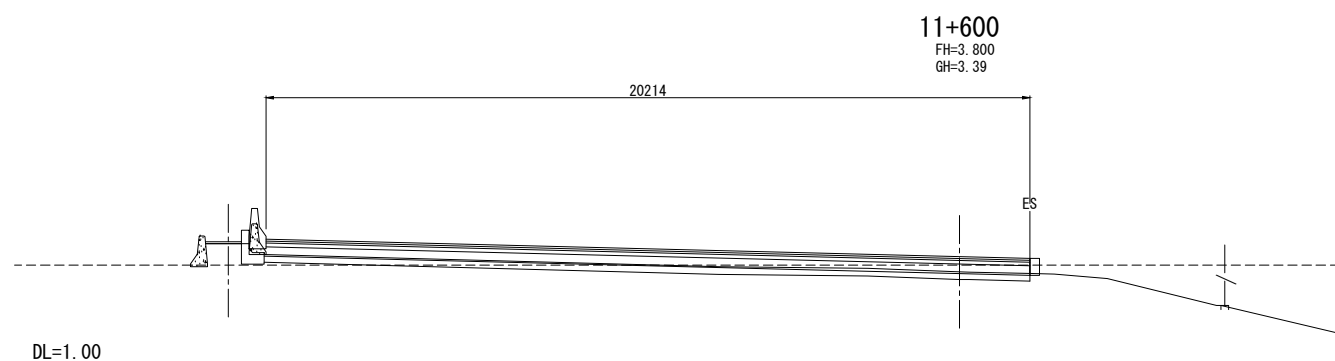
19840

2.5%

H.W.L=3.574

DL=1.00

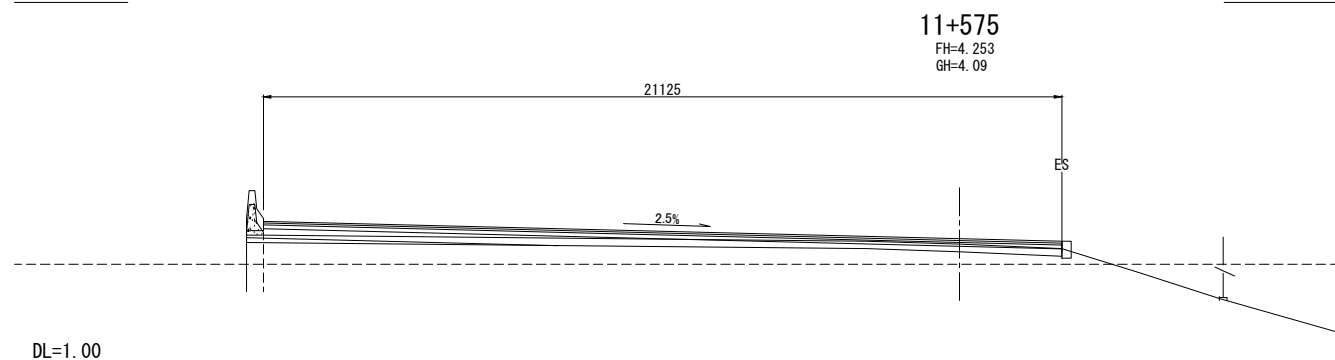
REV. NO.	DESCRIPTION	ENGINEER		DOH		REV. NO.	APPROVED BY	 KINGDOM OF THAILAND MINISTRY OF TRANSPORT DEPARTMENT OF HIGHWAYS	HIGHWAY ROUTE NO. 9	OWNER	PROJECT TITLE	 CTI ENGINEERING INTERNATIONAL CO., LTD.  ORIENTAL CONSULTANTS CO., LTD.  NIPPON KOEI CO., LTD.  CTI ENGINEERING CO., LTD.	DESIGNED BY	CHECKED BY	DATE :	SCALE :
		CHECKED	DATE	CHECKED	DATE								SAGARA Hidetaka ROAD ENGINEER	WATANABE Ryohei CHIEF ENGINEER	AUGUST 2012	SCALE 1:100
									CROSS SECTIONS (3 / 70)	The Inter-City Motorways Division Department of Highways Ministry of Transport	The Preparatory Survey on the Rehabilitation Project of the Outer Bangkok Ring Road			DWG. NO. MW-54	SHEET NO. 59	



11+600
FH=3.800
GH=3.39

20214

DL=1.00

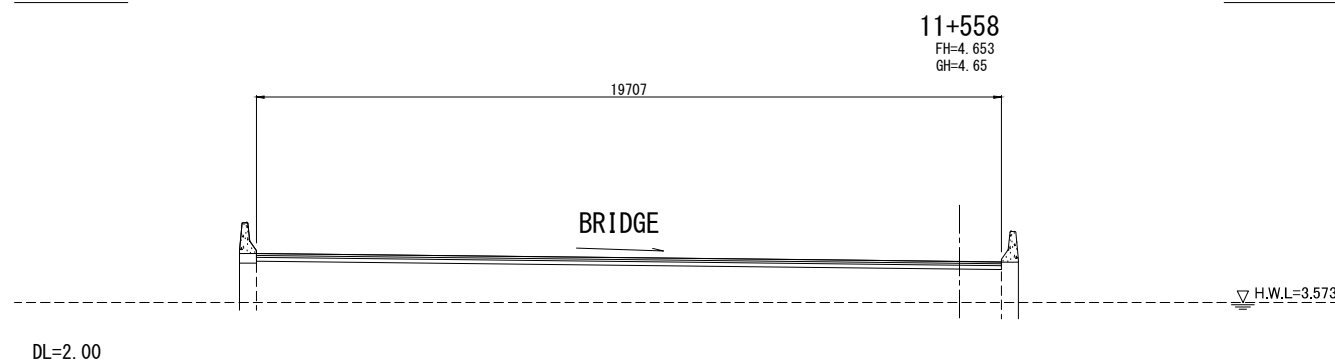


11+575
FH=4.253
GH=4.09

21125

2.5%

DL=1.00

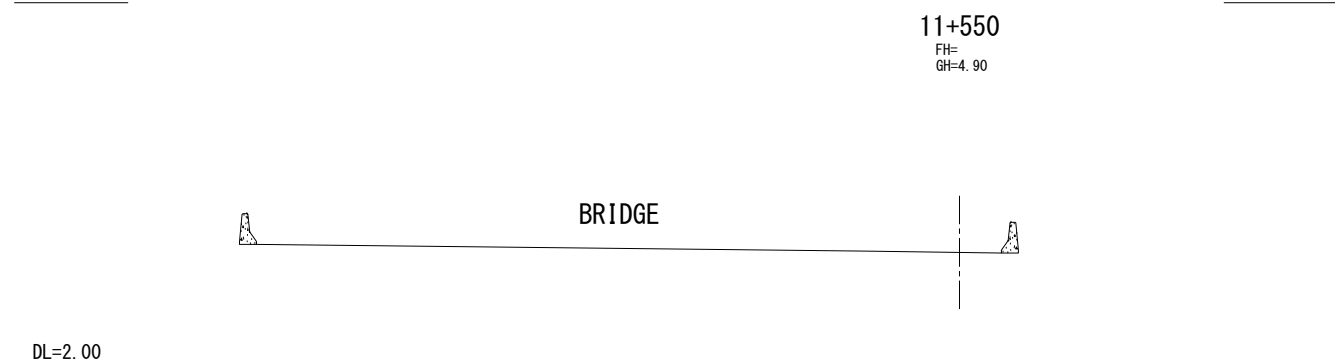


11+558
FH=4.653
GH=4.65

BRIDGE

H.W.L.=3.573

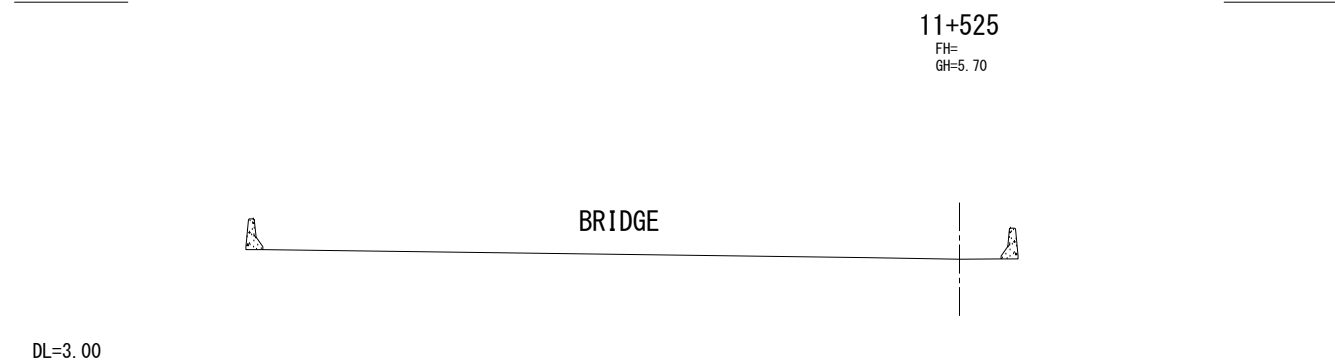
DL=2.00



11+550
FH=4.90
GH=4.90

BRIDGE

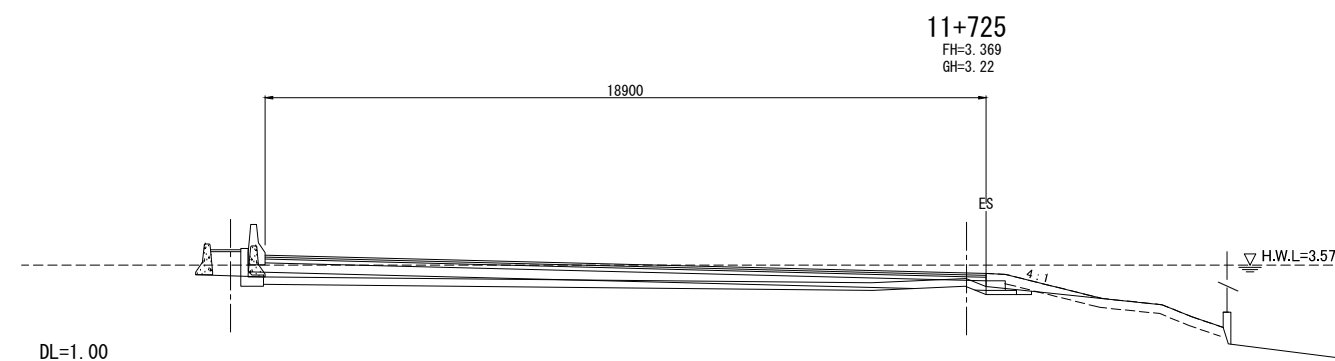
DL=2.00



11+525
FH=5.70
GH=5.70

BRIDGE

DL=3.00

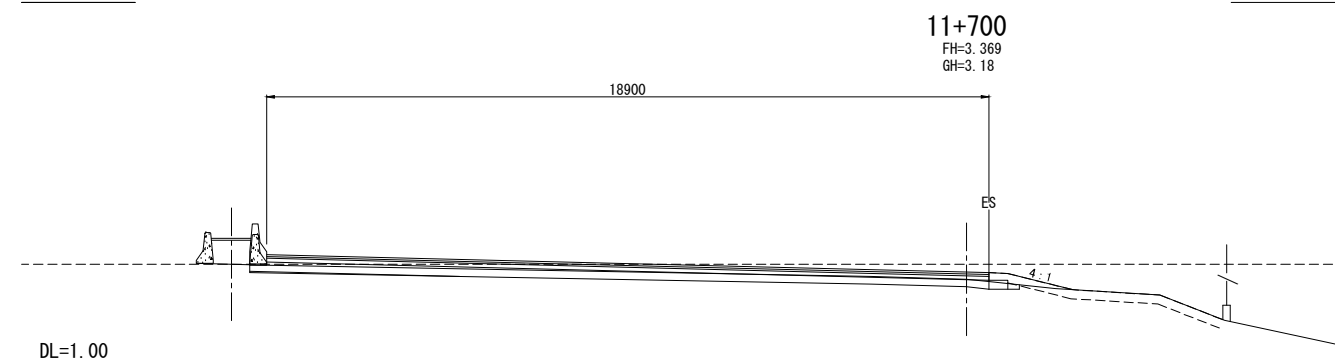


11+725
FH=3.369
GH=3.22

18900

H.W.L.=3.572

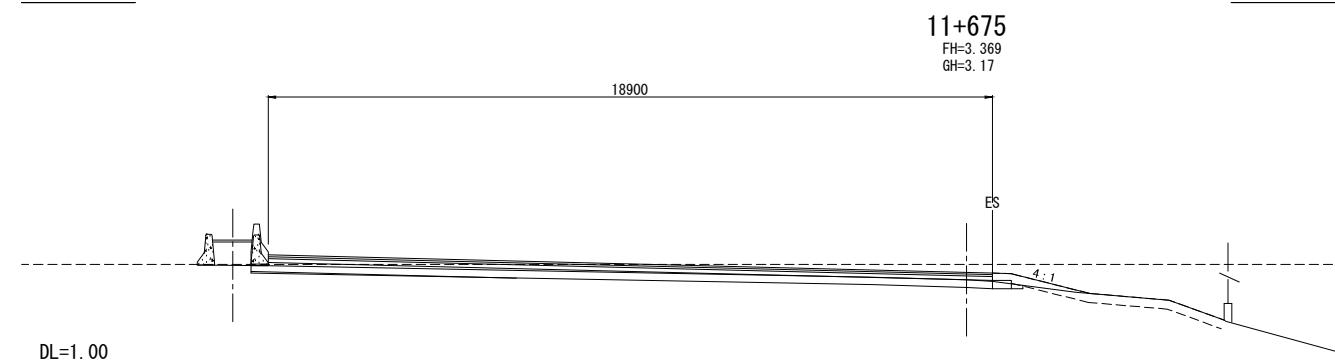
DL=1.00



11+700
FH=3.369
GH=3.18

18900

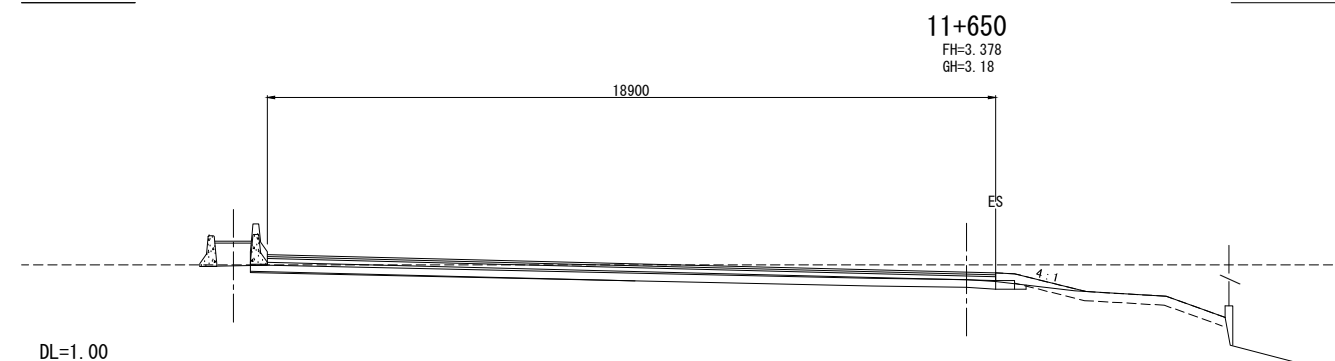
DL=1.00



11+675
FH=3.369
GH=3.17

18900

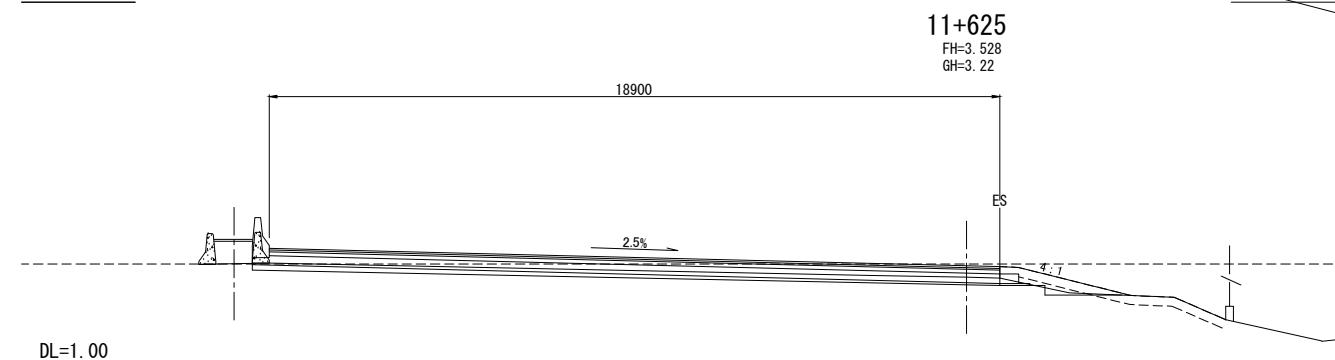
DL=1.00



11+650
FH=3.378
GH=3.18

18900

DL=1.00

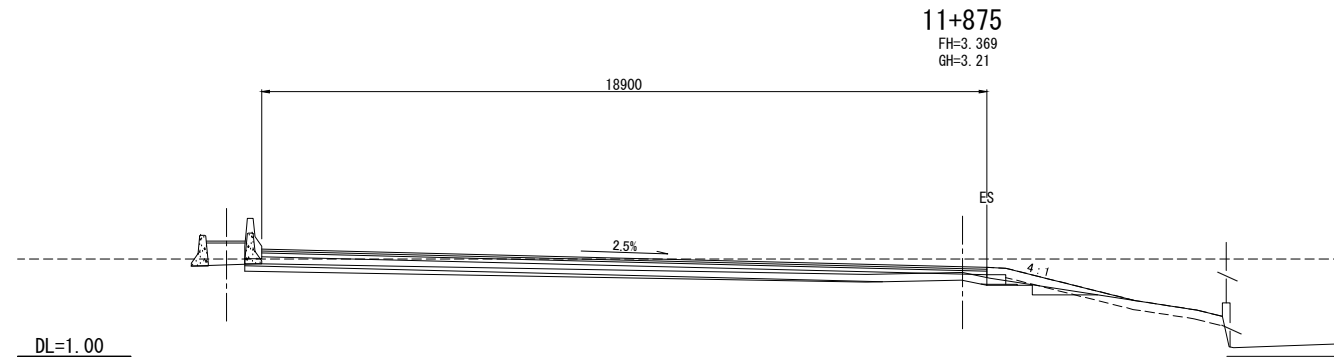
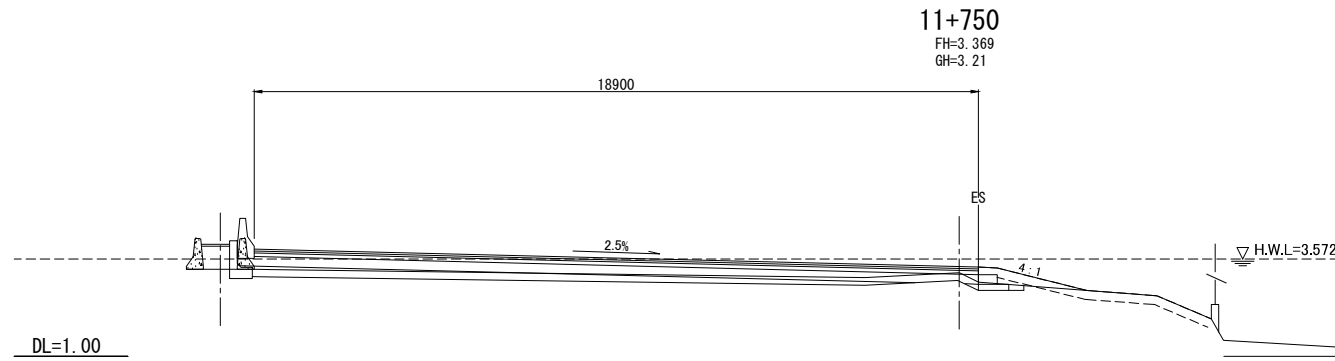
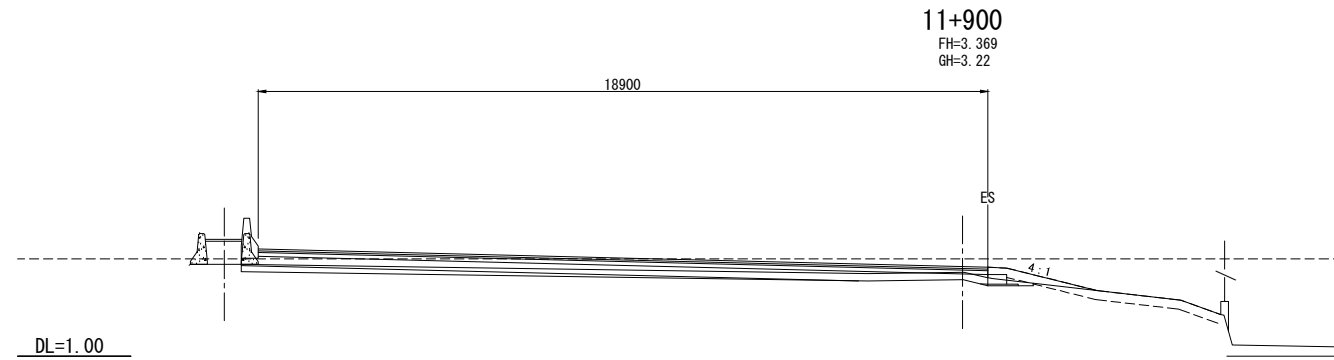
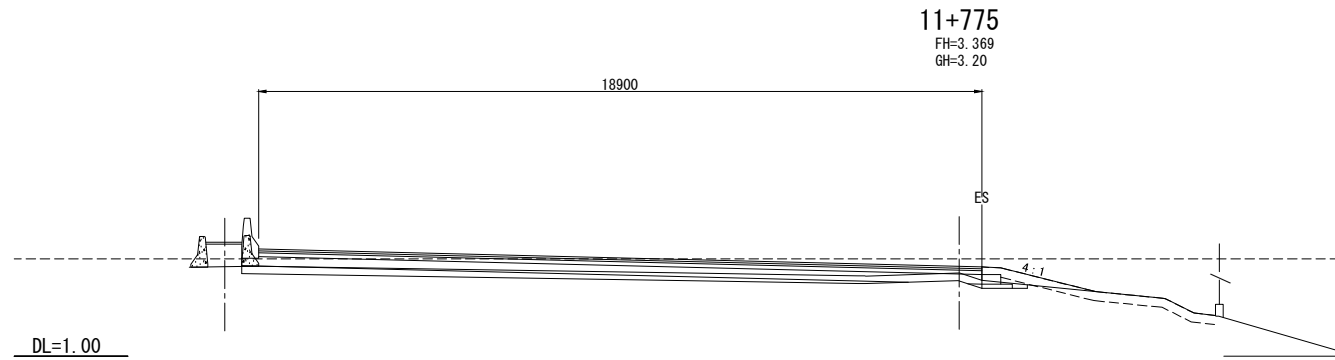
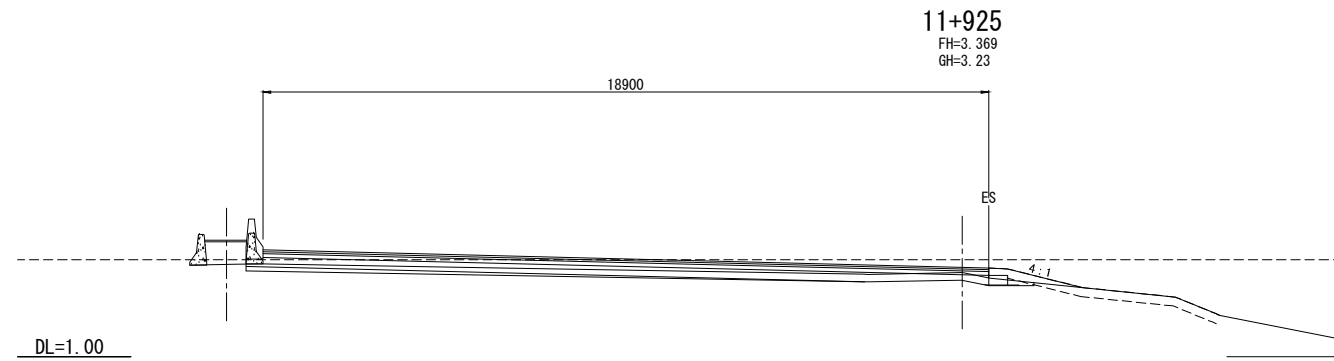
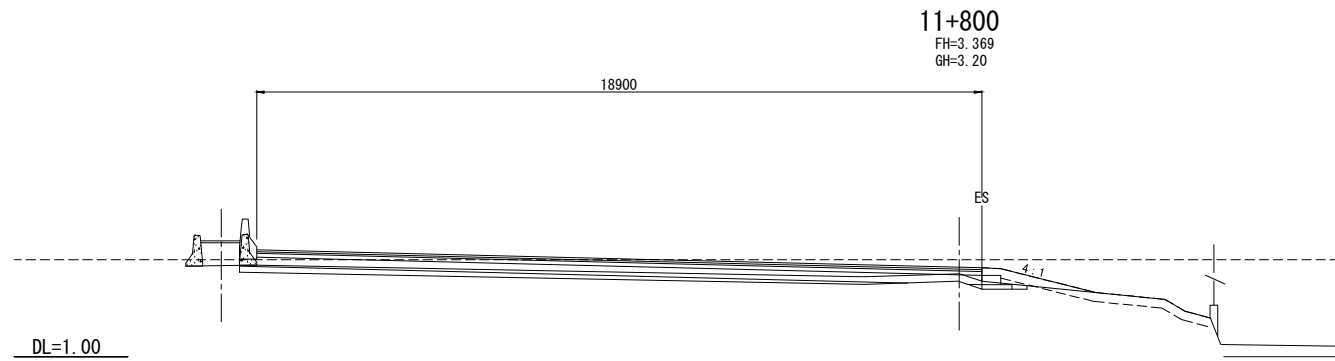
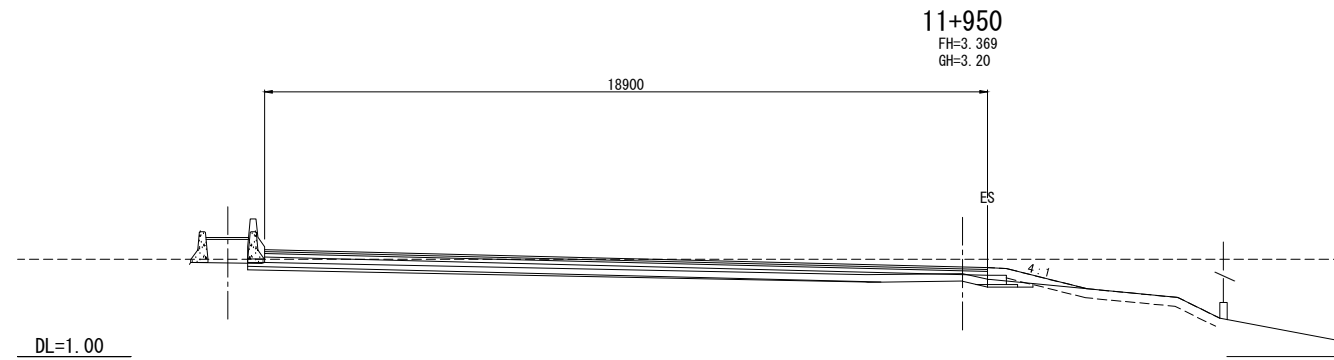
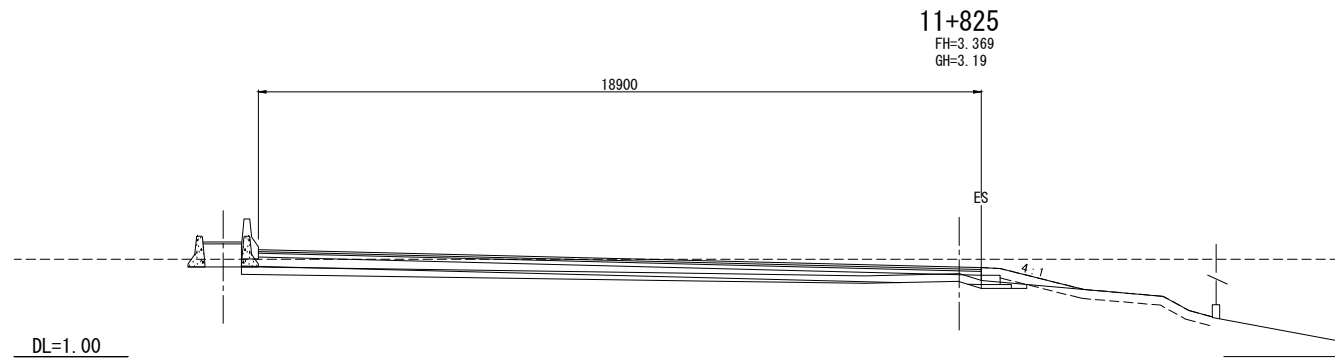
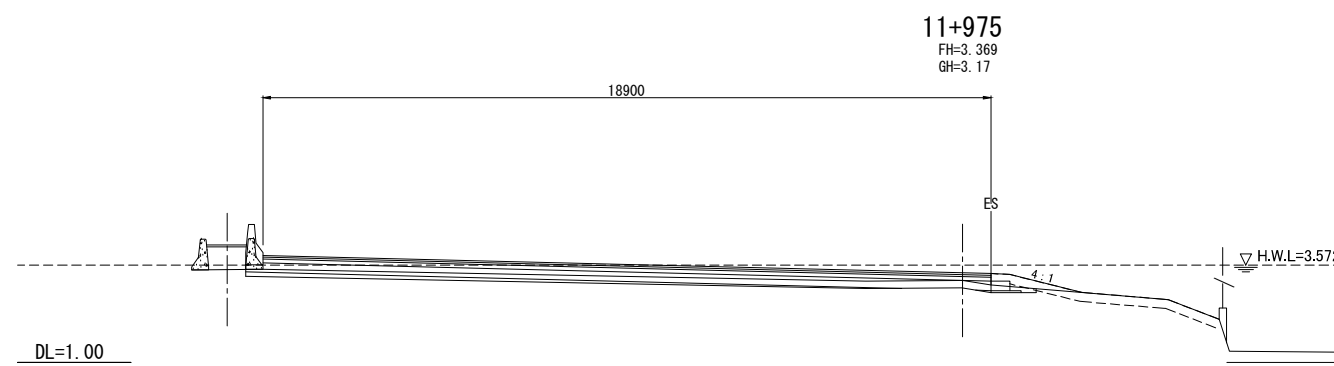
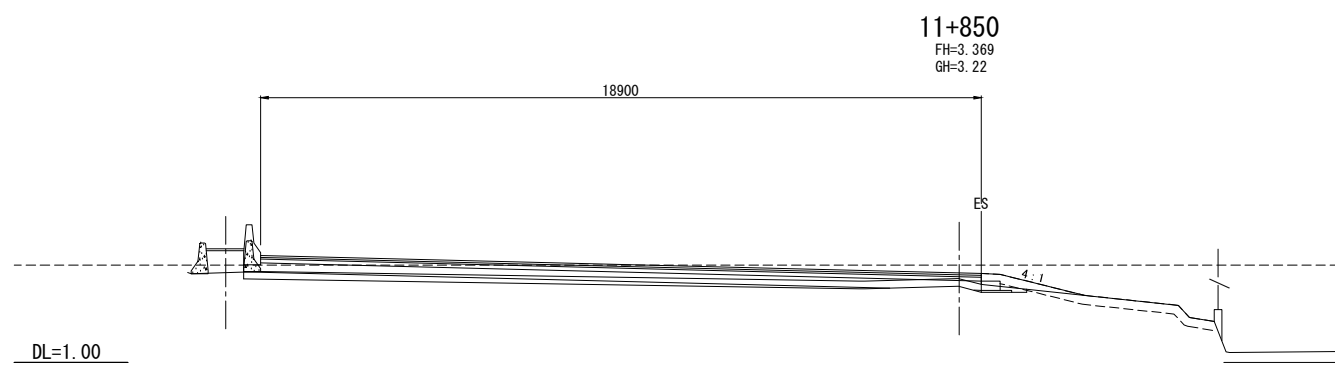


11+625
FH=3.528
GH=3.22

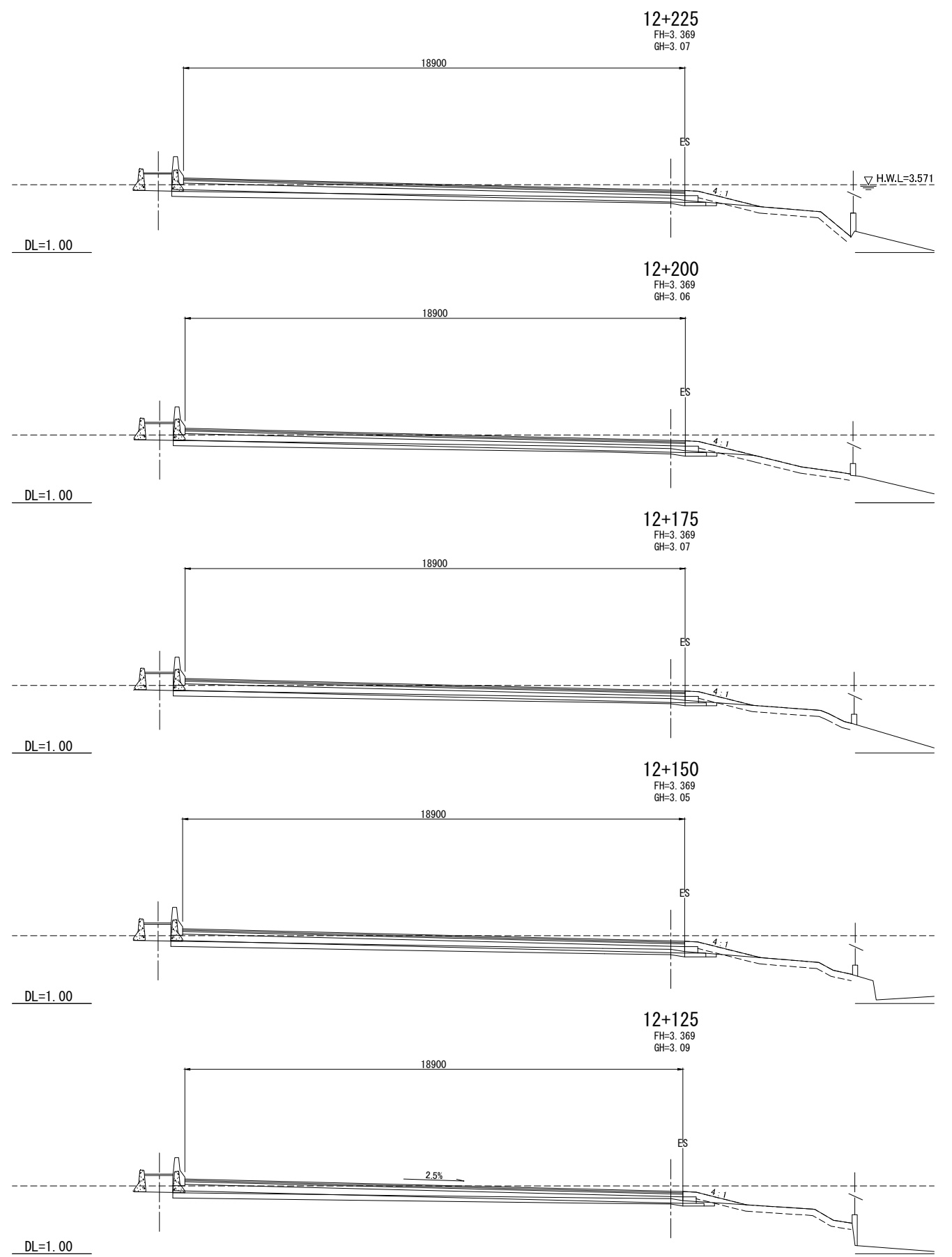
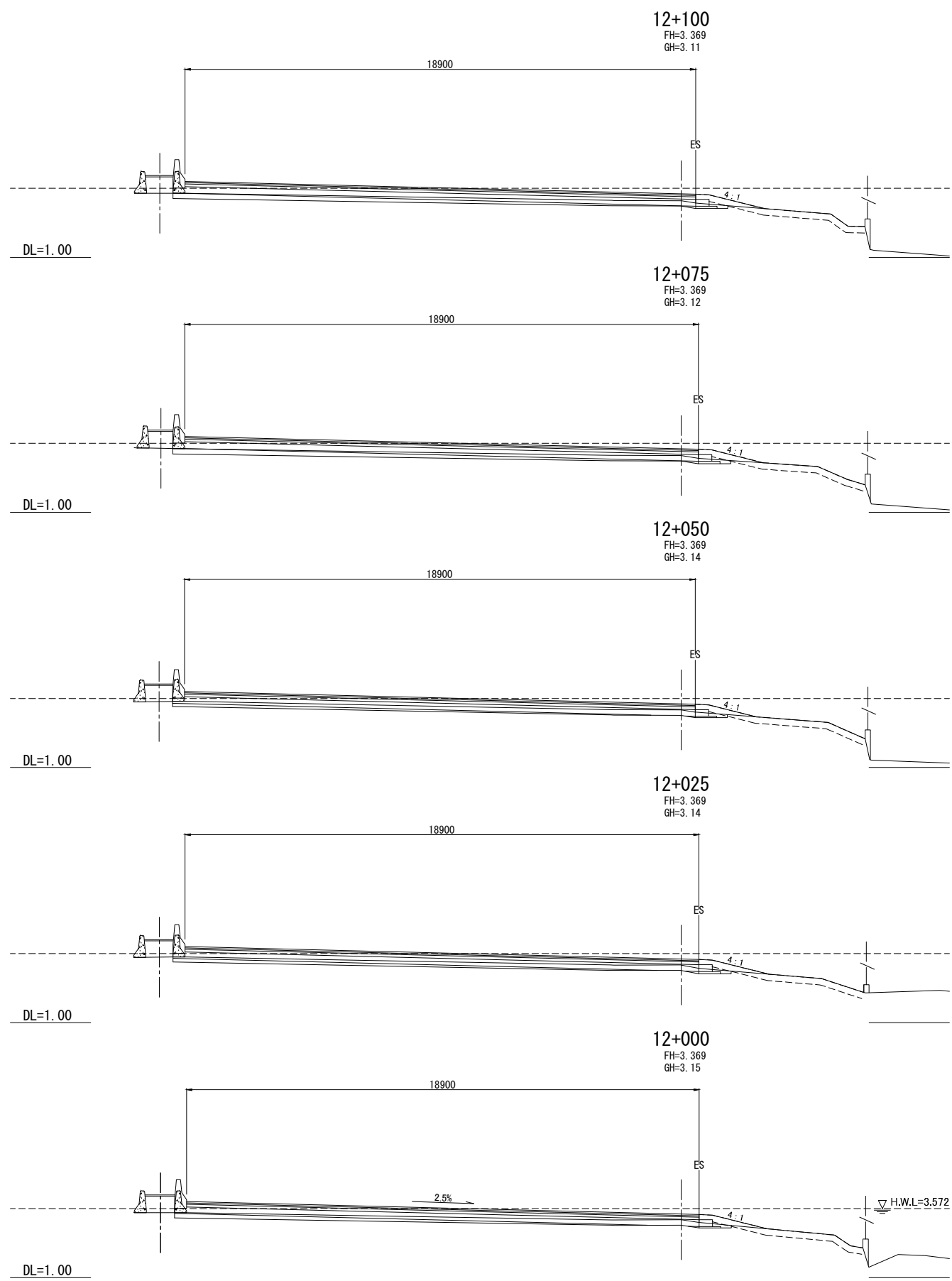
18900

DL=1.00

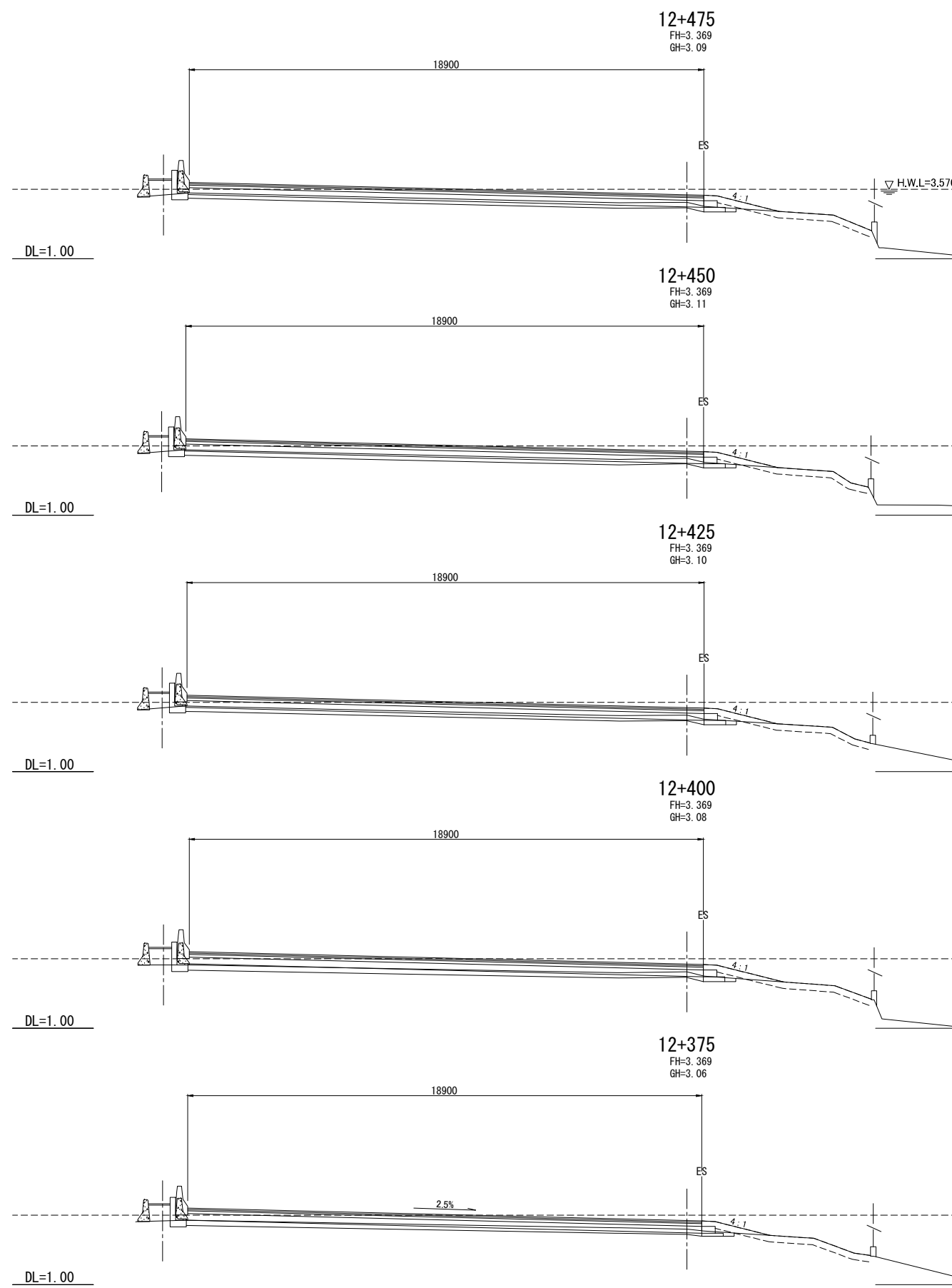
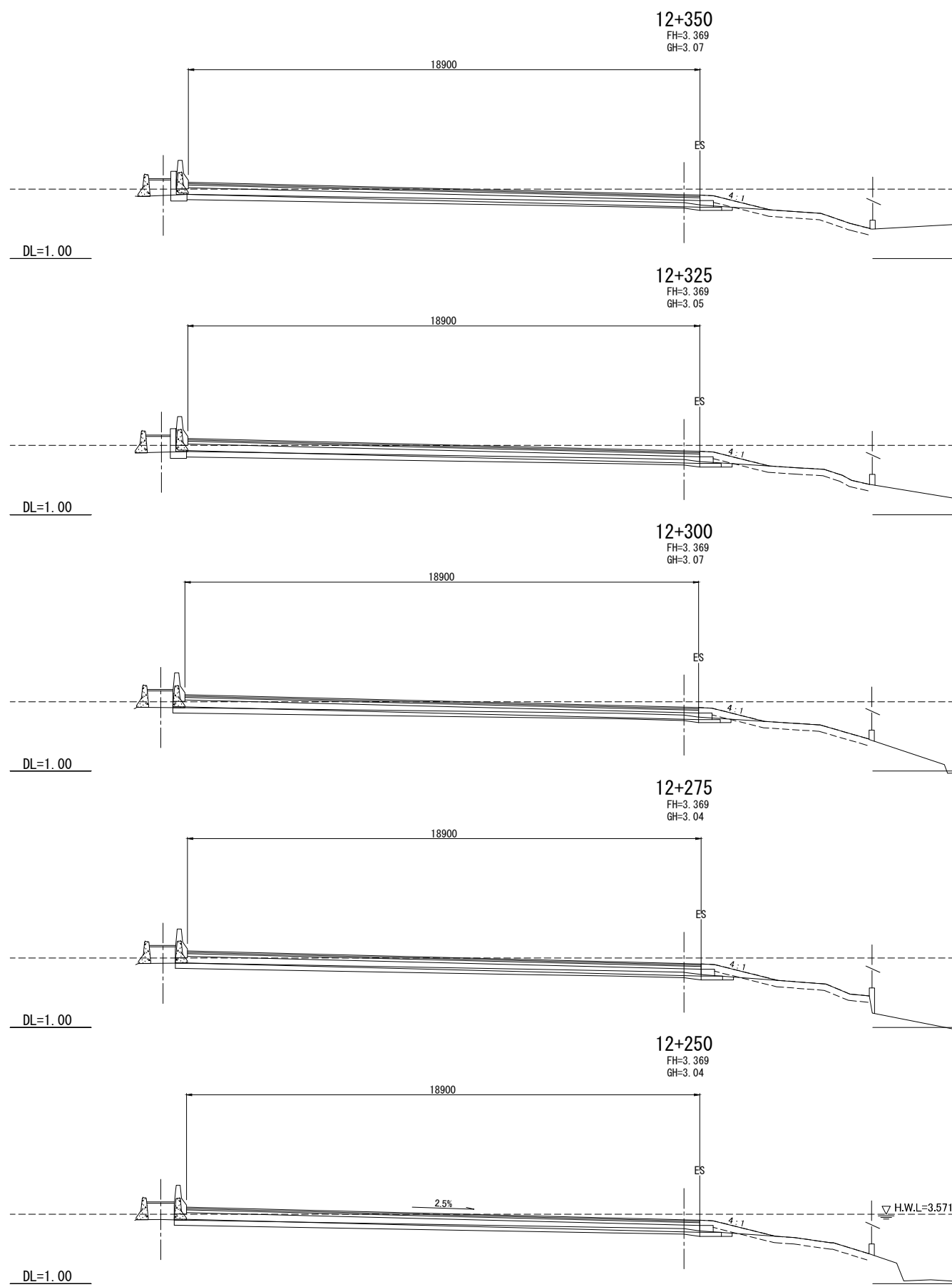
REV. NO.	DESCRIPTION	ENGINEER		DOH		REV. NO.	APPROVED BY	KINGDOM OF THAILAND MINISTRY OF TRANSPORT DEPARTMENT OF HIGHWAYS	HIGHWAY ROUTE NO. 9	OWNER The Inter-City Motorways Division Department of Highways Ministry of Transport	PROJECT TITLE The Preparatory Survey on the Rehabilitation Project of the Outer Bangkok Ring Road	DESIGNED BY SAGARA Hidetaka ROAD ENGINEER	CHECKED BY WATANABE Ryohei CHIEF ENGINEER	DATE :	SCALE :
		CHECKED	DATE	CHECKED	DATE									AUGUST 2012	SCALE 1:100
														DWG. NO. MW-55	SHEET NO. 60



REV. NO.	DESCRIPTION	ENGINEER		DOH		REV. NO.	APPROVED BY	KINGDOM OF THAILAND MINISTRY OF TRANSPORT DEPARTMENT OF HIGHWAYS	HIGHWAY ROUTE NO. 9	OWNER The Inter-City Motorways Division Department of Highways Ministry of Transport	PROJECT TITLE The Preparatory Survey on the Rehabilitation Project of the Outer Bangkok Ring Road	DESIGNED BY SAGARA Hidetaka ROAD ENGINEER	CHECKED BY WATANABE Ryohei CHIEF ENGINEER	DATE:	SCALE:
		CHECKED	DATE	CHECKED	DATE									AUGUST 2012	SCALE 1:100
														DWG. NO. MW-56	SHEET NO. 61

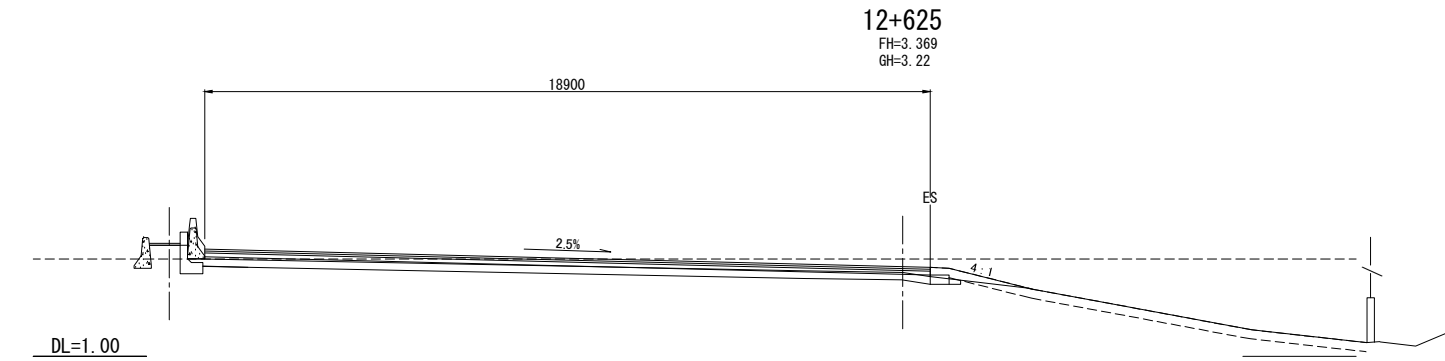
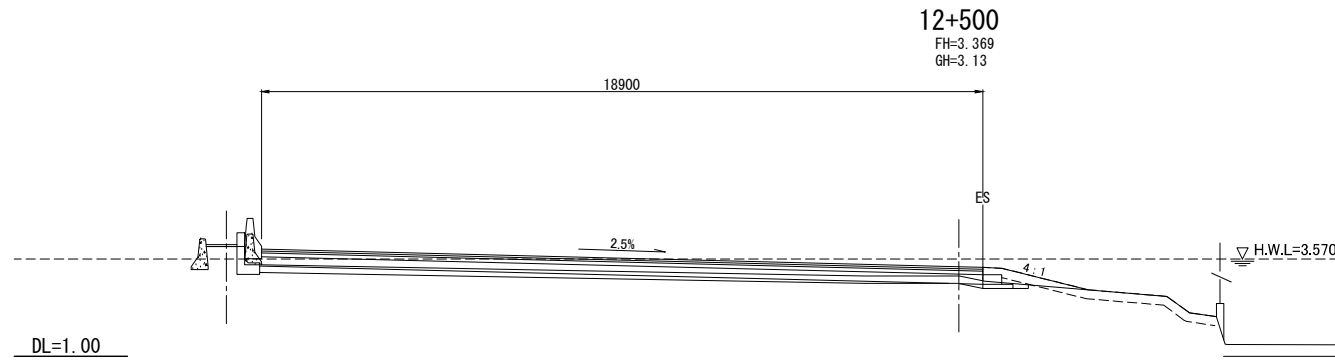
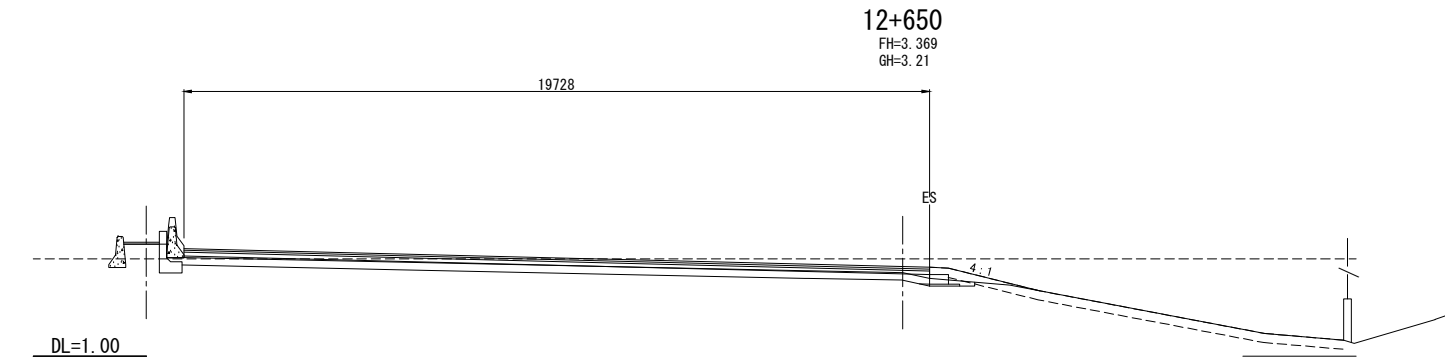
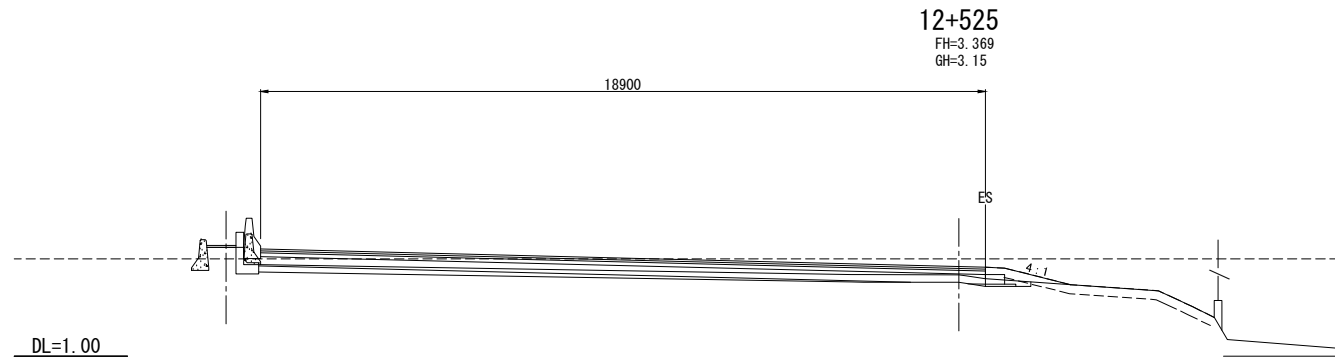
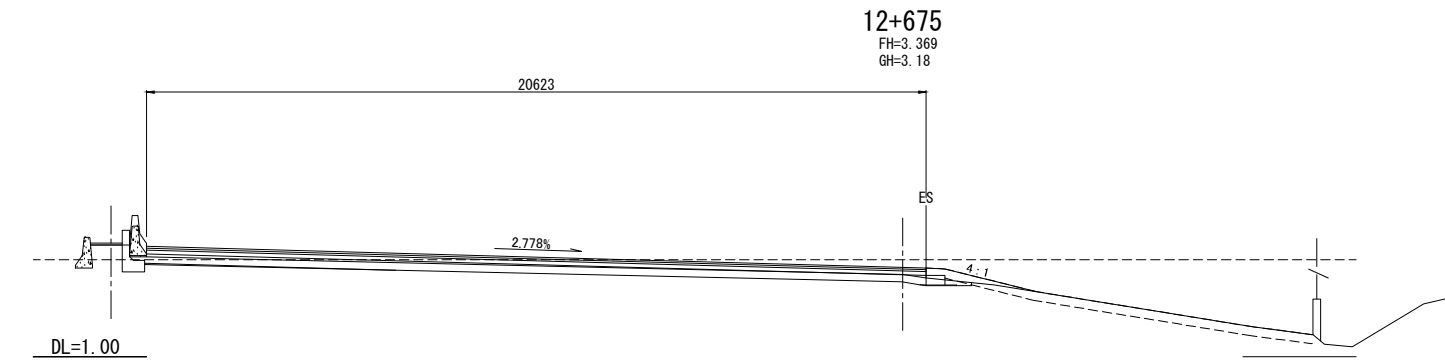
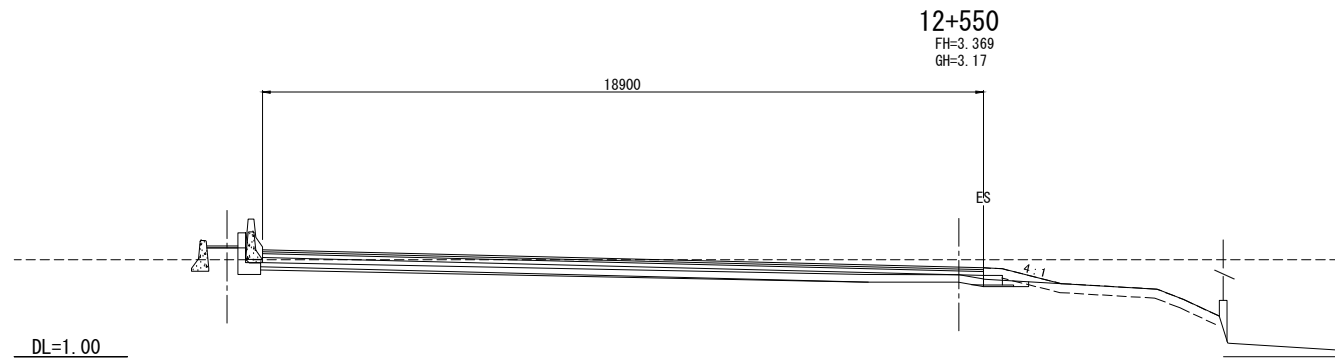
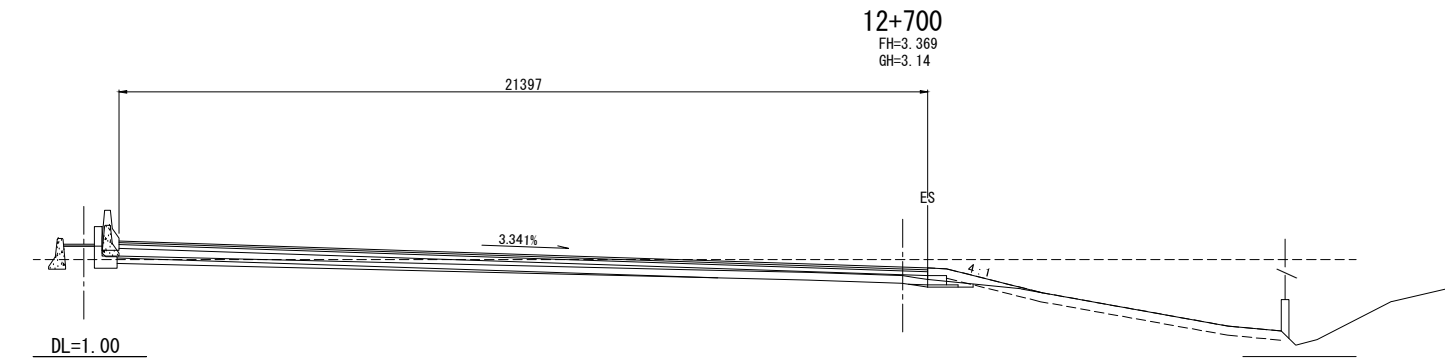
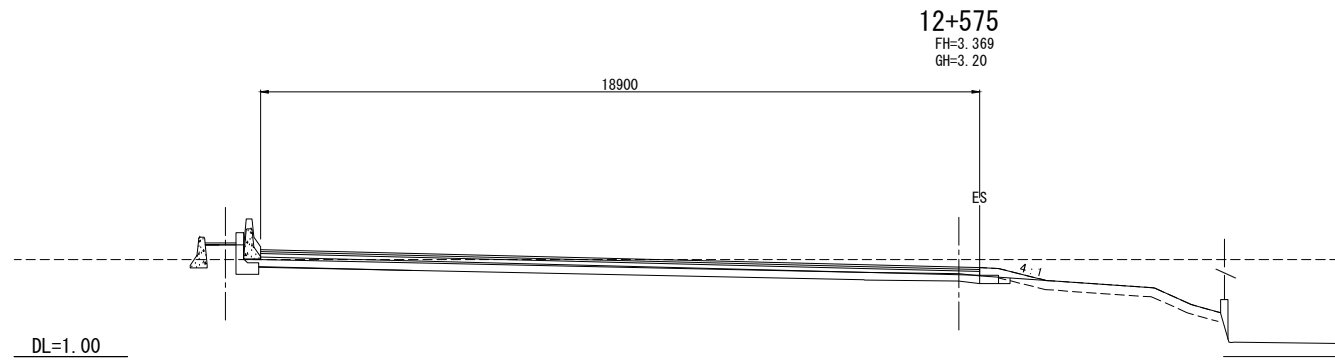
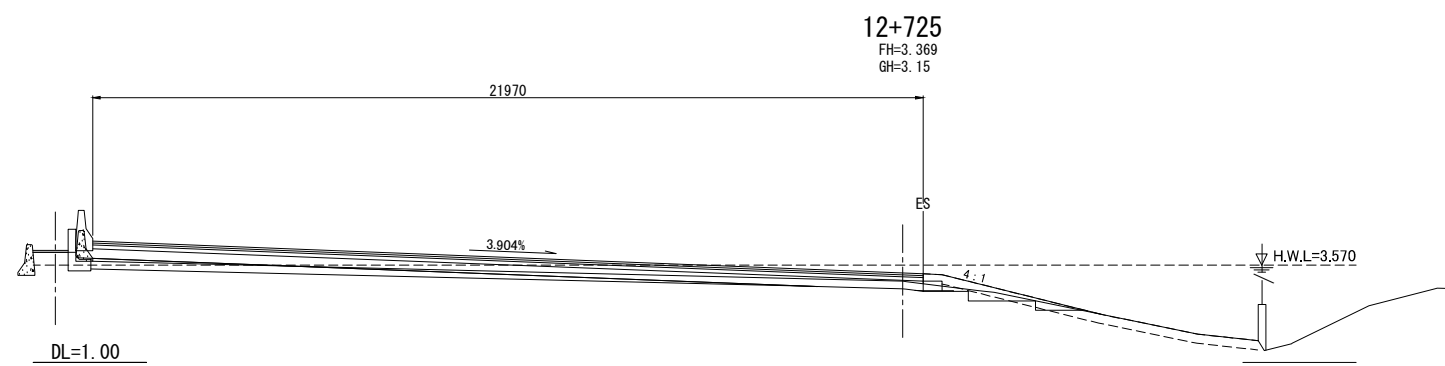
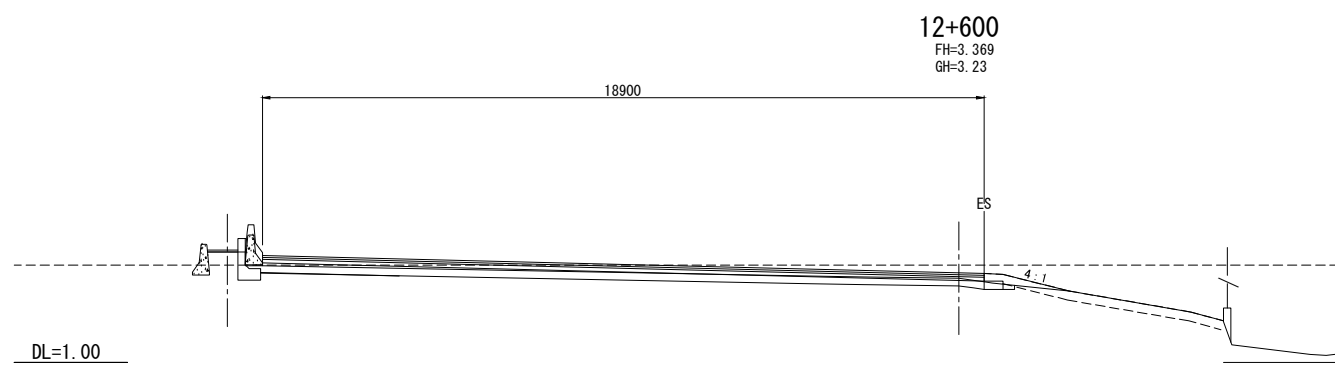


REV. NO.	DESCRIPTION	ENGINEER		DOH		REV. NO.	APPROVED BY	KINGDOM OF THAILAND MINISTRY OF TRANSPORT DEPARTMENT OF HIGHWAYS	HIGHWAY ROUTE NO. 9	OWNER The Inter-City Motorways Division Department of Highways Ministry of Transport	PROJECT TITLE The Preparatory Survey on the Rehabilitation Project of the Outer Bangkok Ring Road	DESIGNED BY SAGARA Hidetaka ROAD ENGINEER	CHECKED BY WATANABE Ryohei CHIEF ENGINEER	DATE:	SCALE:
		CHECKED	DATE	CHECKED	DATE									AUGUST 2012	SCALE 1:100
														DWG. NO. MW-57	SHEET NO. 62



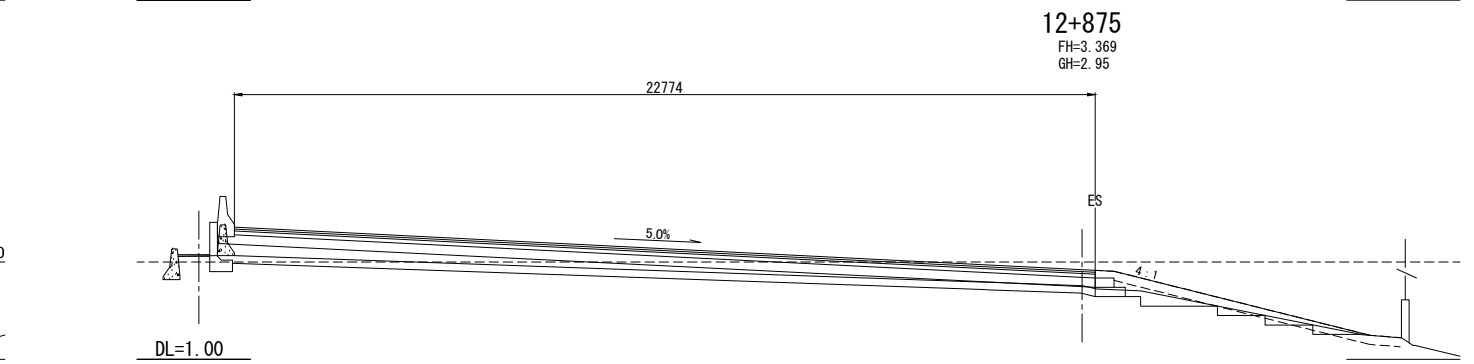
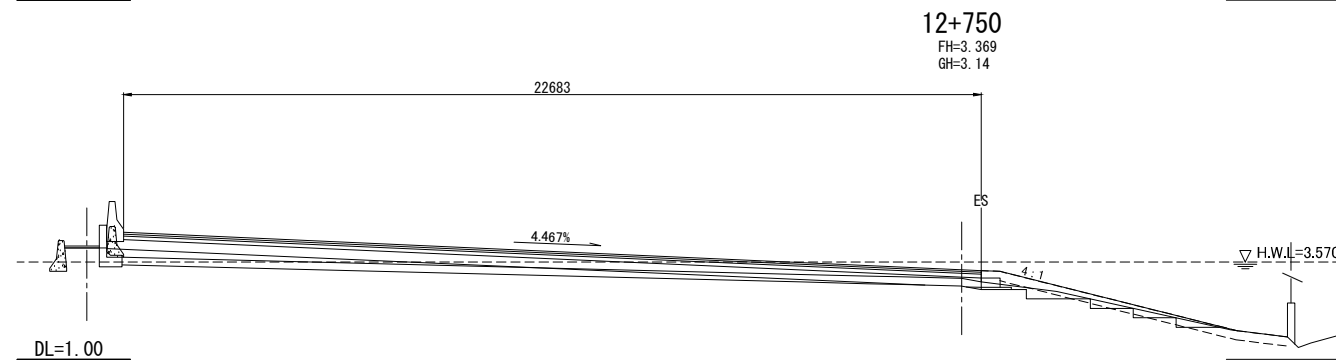
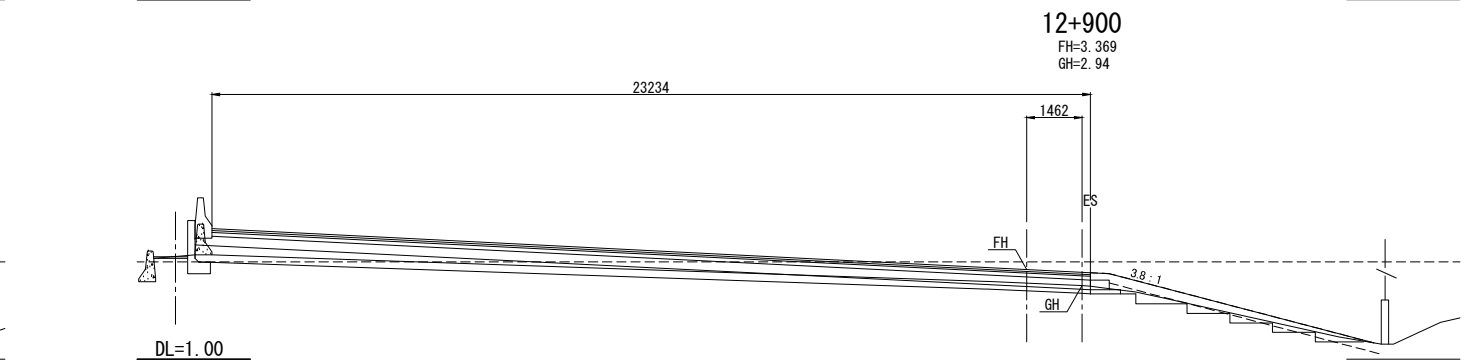
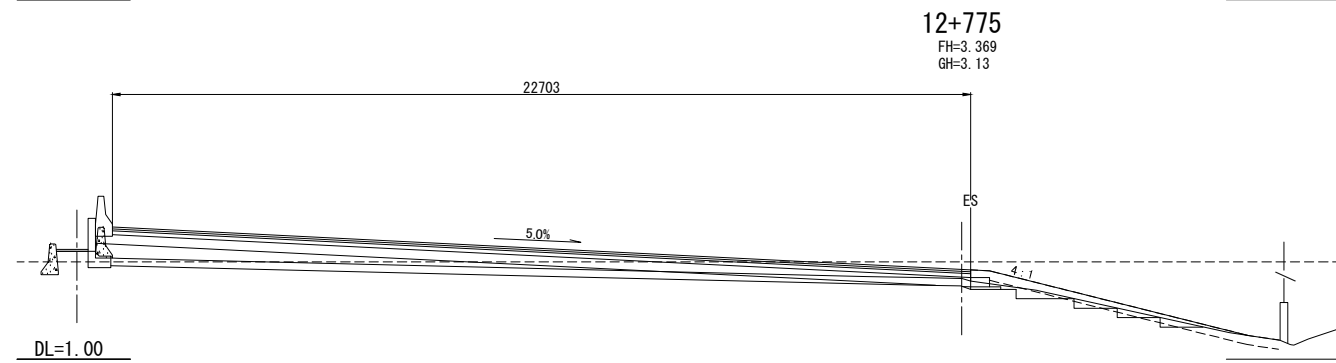
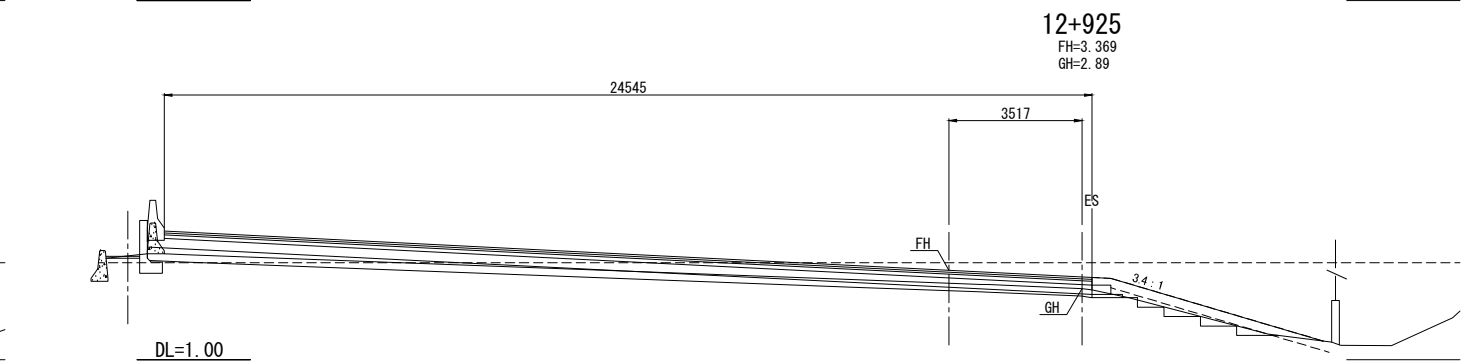
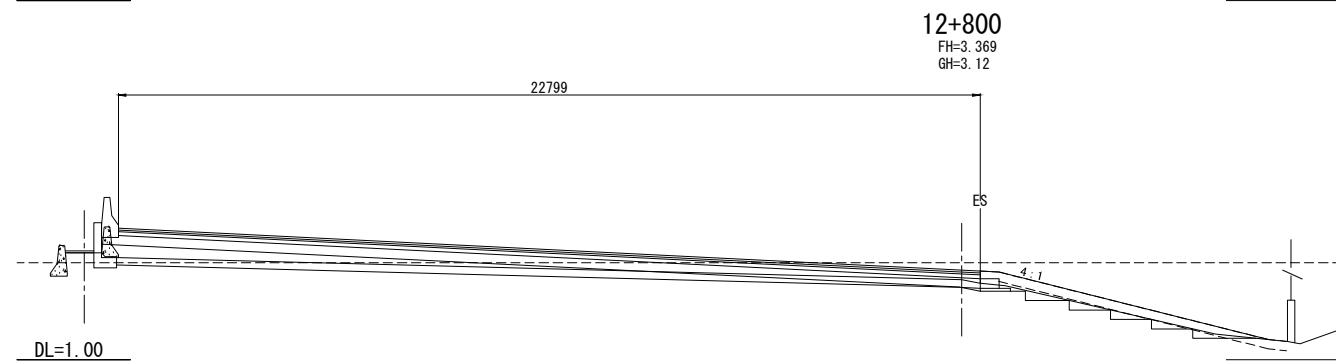
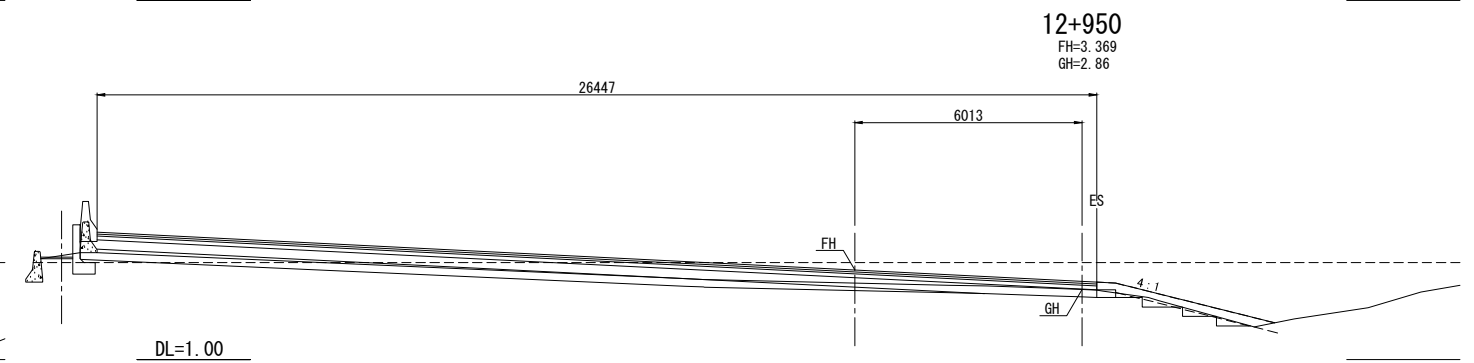
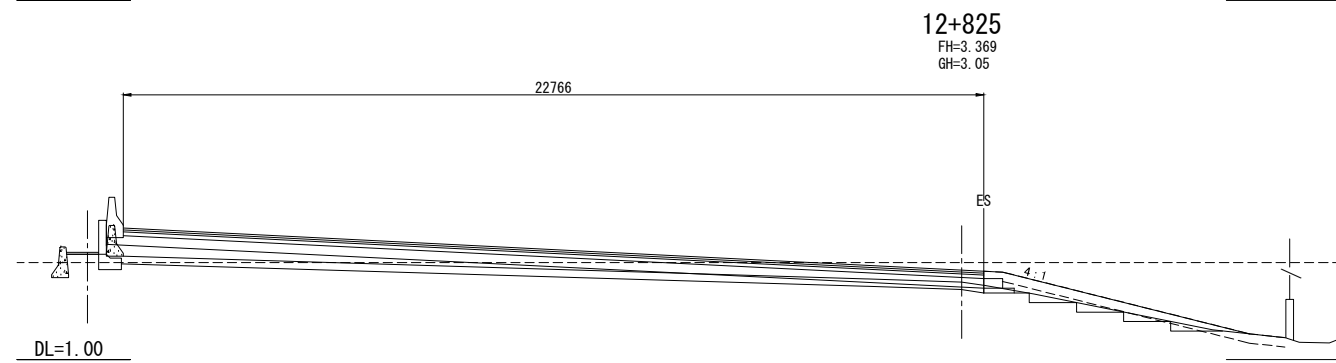
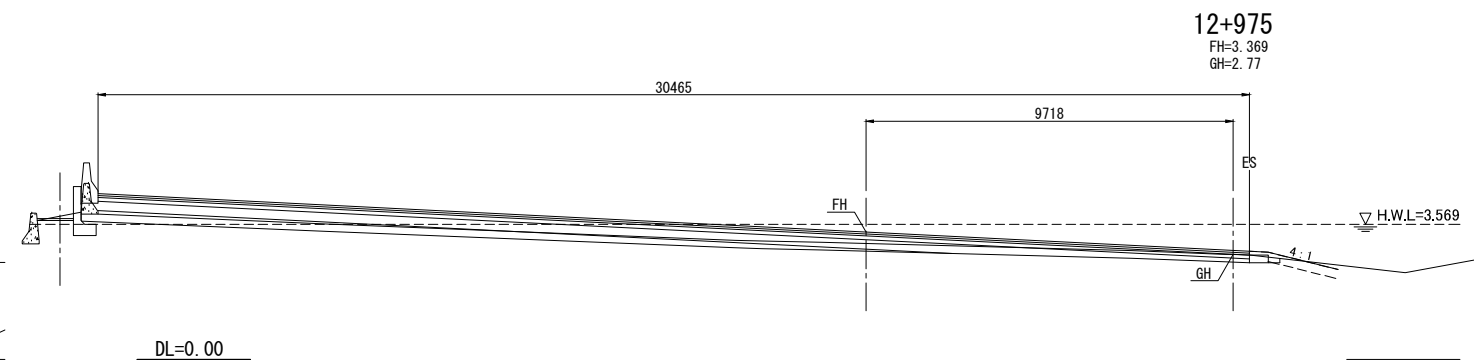
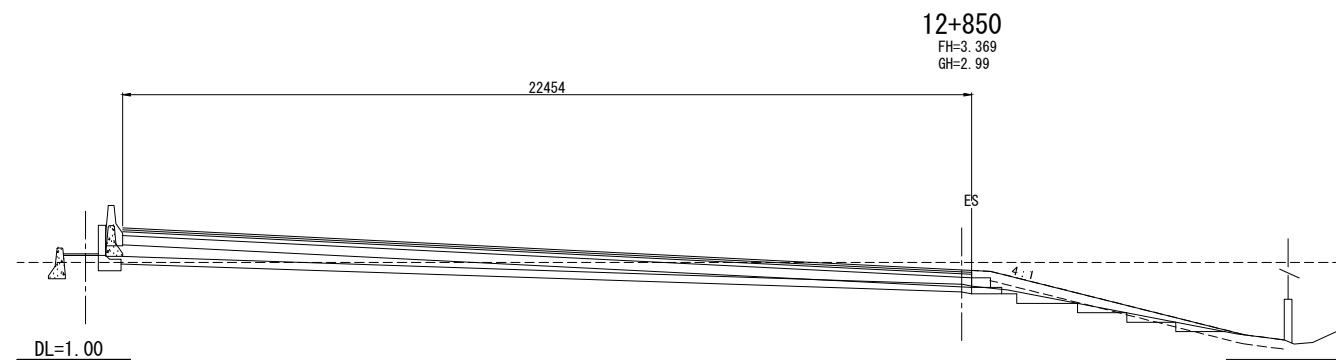
REV. NO.	DESCRIPTION	ENGINEER		DOH		REV. NO.	APPROVED BY	KINGDOM OF THAILAND MINISTRY OF TRANSPORT DEPARTMENT OF HIGHWAYS	HIGHWAY ROUTE NO. 9	OWNER The Inter-City Motorways Division Department of Highways Ministry of Transport	PROJECT TITLE The Preparatory Survey on the Rehabilitation Project of the Outer Bangkok Ring Road	DESIGNED BY SAGARA Hidetaka ROAD ENGINEER	CHECKED BY WATANABE Ryohei CHIEF ENGINEER	DATE:	SCALE:
		CHECKED	DATE	CHECKED	DATE									AUGUST 2012	SCALE 1:100
									CROSS SECTIONS (7 / 70)					DWG. NO. MW-58	SHEET NO. 63

CTI ENGINEERING INTERNATIONAL CO., LTD.
ORIENTAL CONSULTANTS CO., LTD.
NIPPON KOEI CO., LTD.
CTI ENGINEERING CO., LTD.



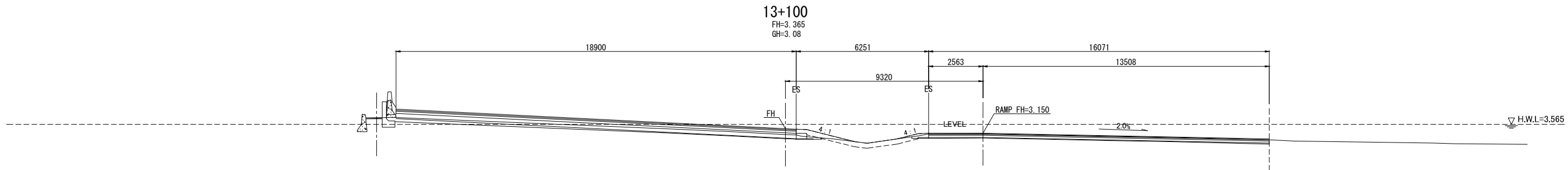
REV. NO.	DESCRIPTION	ENGINEER		DOH		REV. NO.	APPROVED BY	KINGDOM OF THAILAND MINISTRY OF TRANSPORT DEPARTMENT OF HIGHWAYS	HIGHWAY ROUTE NO. 9	OWNER The Inter-City Motorways Division Department of Highways Ministry of Transport	PROJECT TITLE The Preparatory Survey on the Rehabilitation Project of the Outer Bangkok Ring Road	DESIGNED BY SAGARA Hidetaka ROAD ENGINEER	CHECKED BY WATANABE Ryohei CHIEF ENGINEER	DATE	SCALE
		CHECKED	DATE	CHECKED	DATE									AUGUST 2012	SCALE 1:100
									CROSS SECTIONS (8 / 70)					DWG. NO. MW-59	SHEET NO. 64

CTI ENGINEERING INTERNATIONAL CO., LTD.
 ORIENTAL CONSULTANTS CO., LTD.
 NIPPON KOEI CO., LTD.
 CTI ENGINEERING CO., LTD.

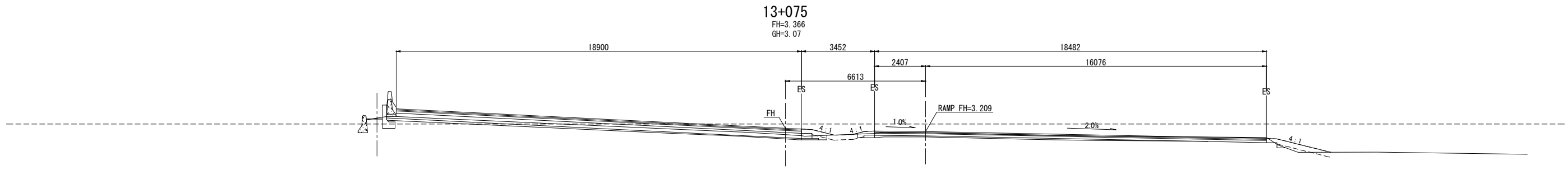


REV. NO.	DESCRIPTION	ENGINEER		DOH		REV. NO.	APPROVED BY	KINGDOM OF THAILAND MINISTRY OF TRANSPORT DEPARTMENT OF HIGHWAYS	HIGHWAY ROUTE NO. 9	OWNER The Inter-City Motorways Division Department of Highways Ministry of Transport	PROJECT TITLE The Preparatory Survey on the Rehabilitation Project of the Outer Bangkok Ring Road	DESIGNED BY SAGARA Hidetaka ROAD ENGINEER	CHECKED BY WATANABE Ryohei CHIEF ENGINEER	DATE:	SCALE:
		CHECKED	DATE	CHECKED	DATE									AUGUST 2012	SCALE 1:100
									CROSS SECTIONS (9 / 70)					DWG. NO. MW-60	SHEET NO. 65

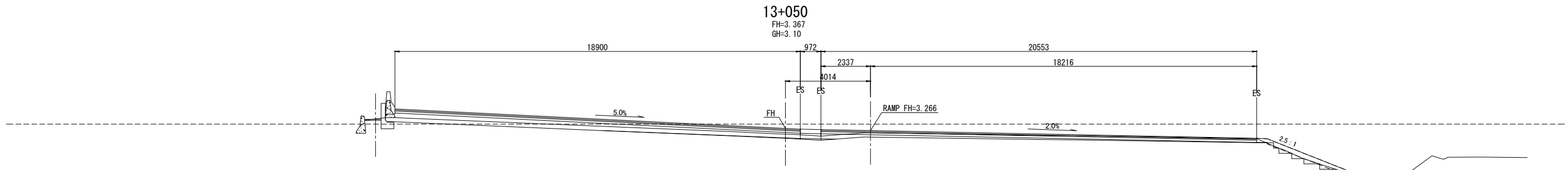
CTI ENGINEERING INTERNATIONAL CO., LTD.
 ORIENTAL CONSULTANTS CO., LTD.
 NIPPON KOEI CO., LTD.
 CTI ENGINEERING CO., LTD.



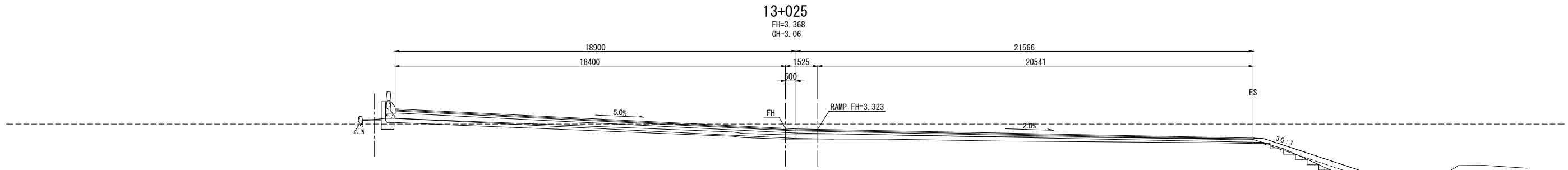
DL=0.00



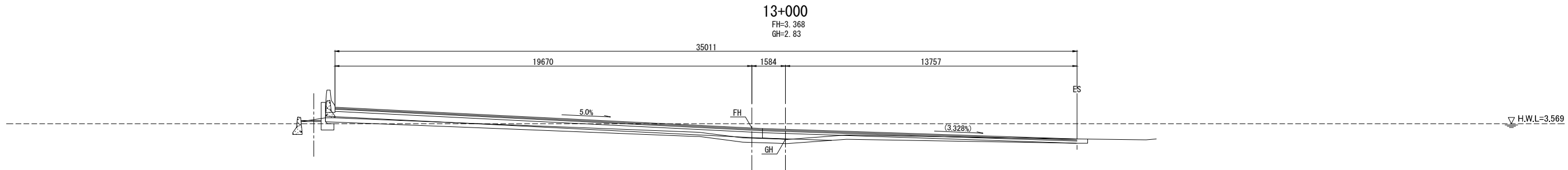
DL=0.00



DL=0.00

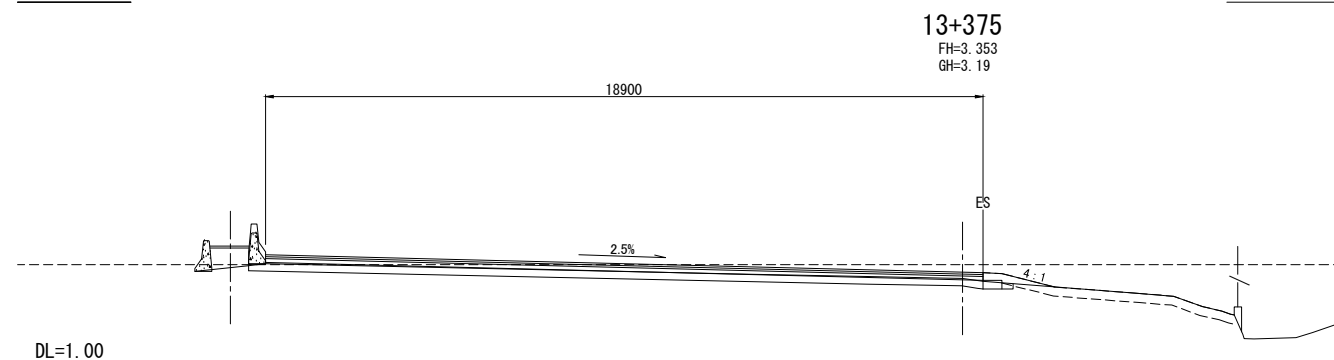
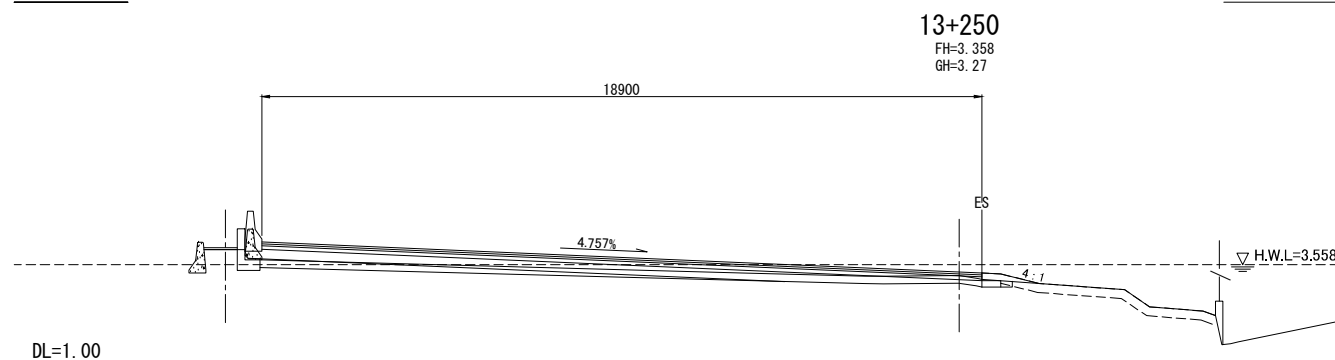
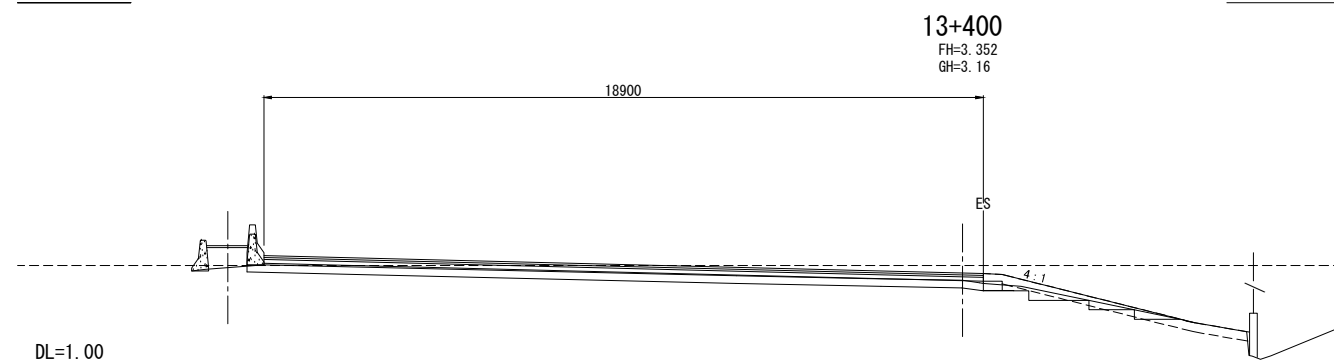
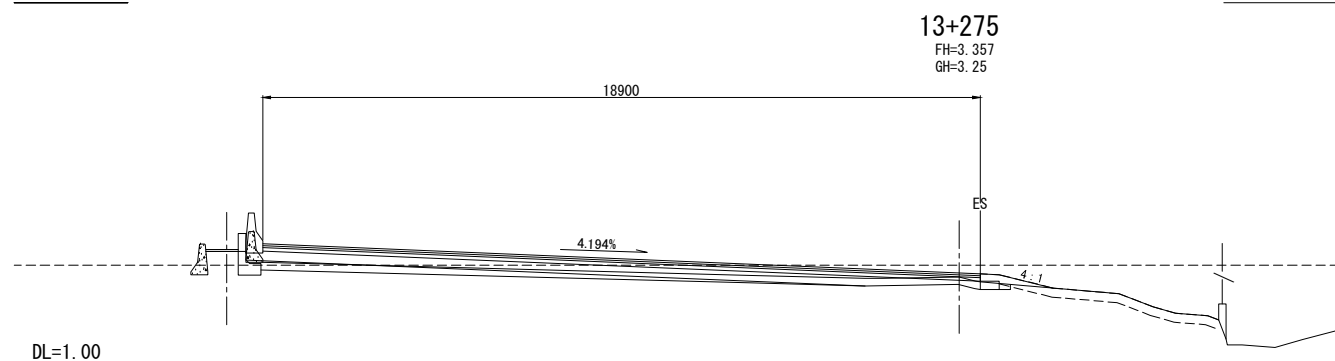
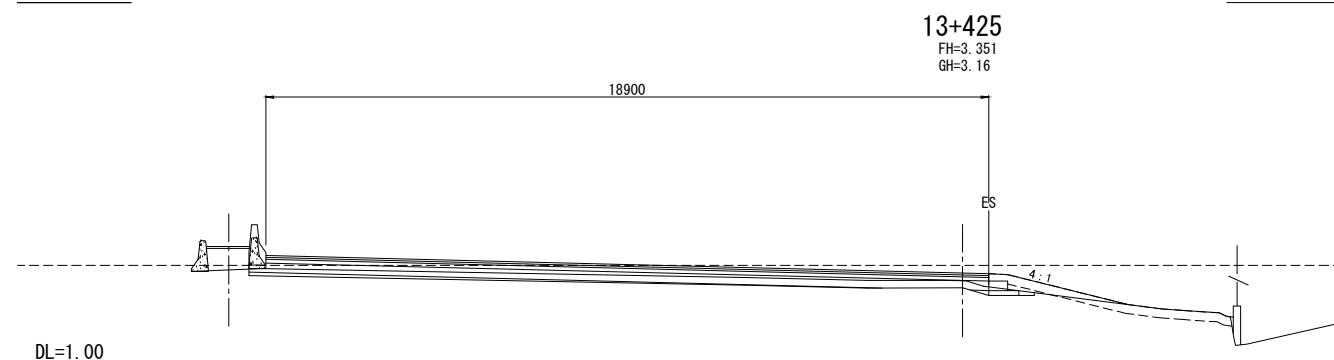
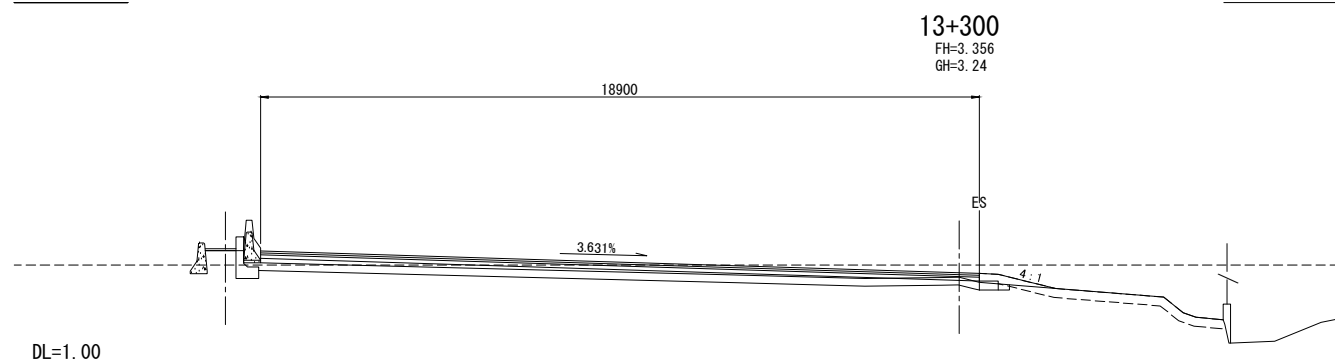
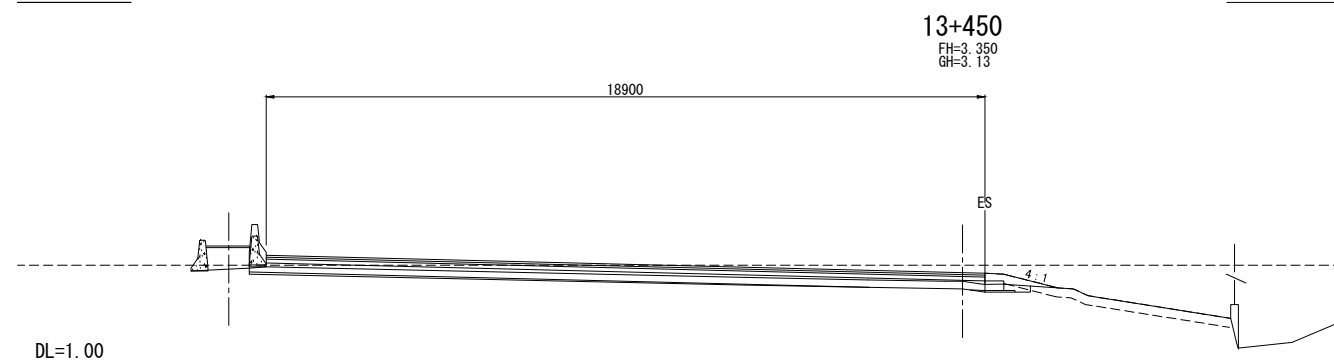
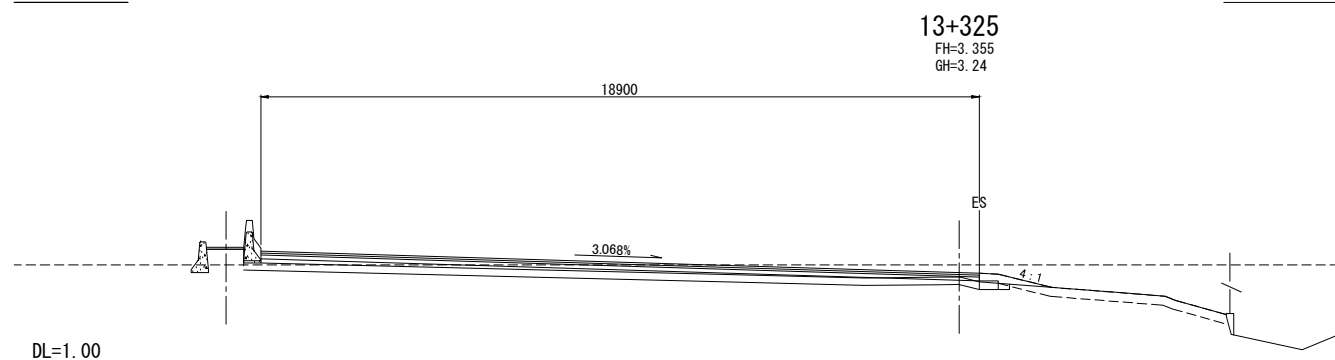
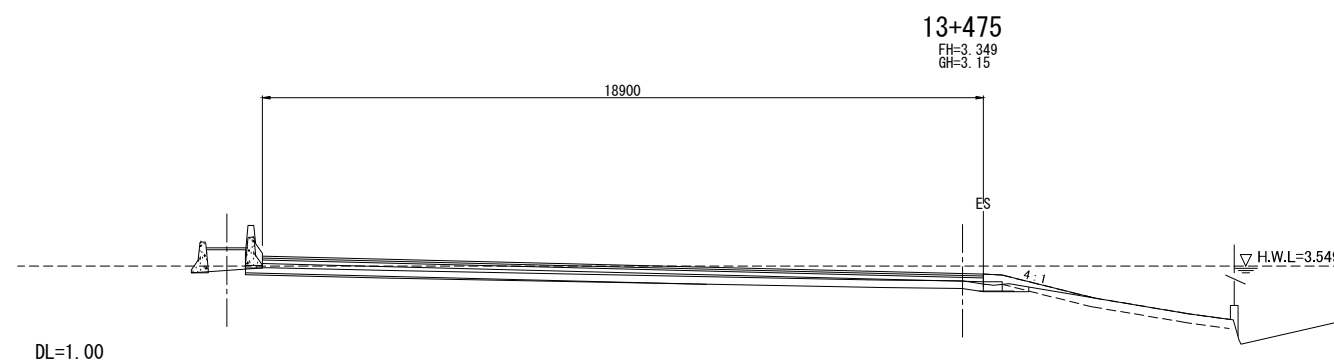
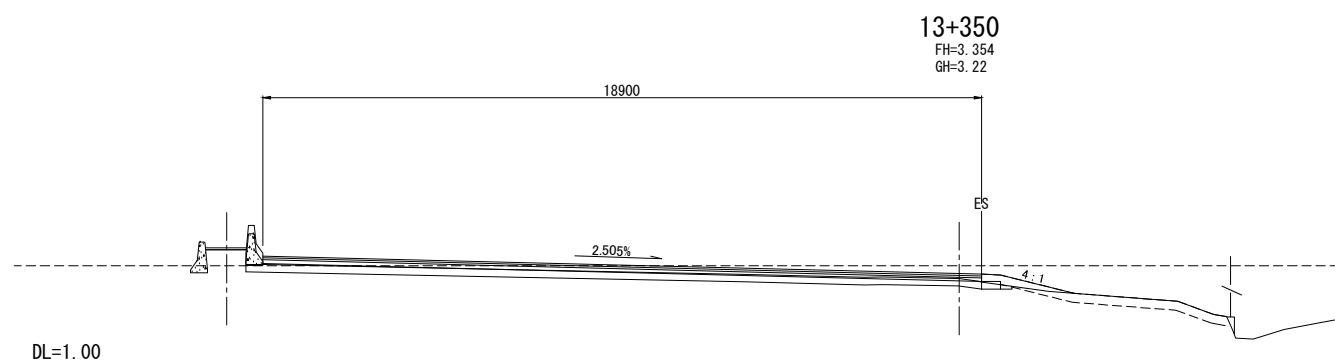


DL=0.00



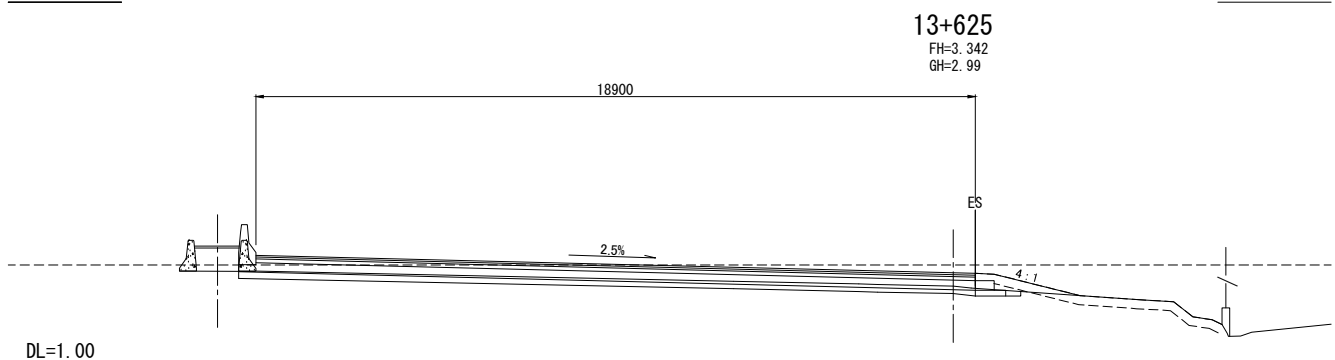
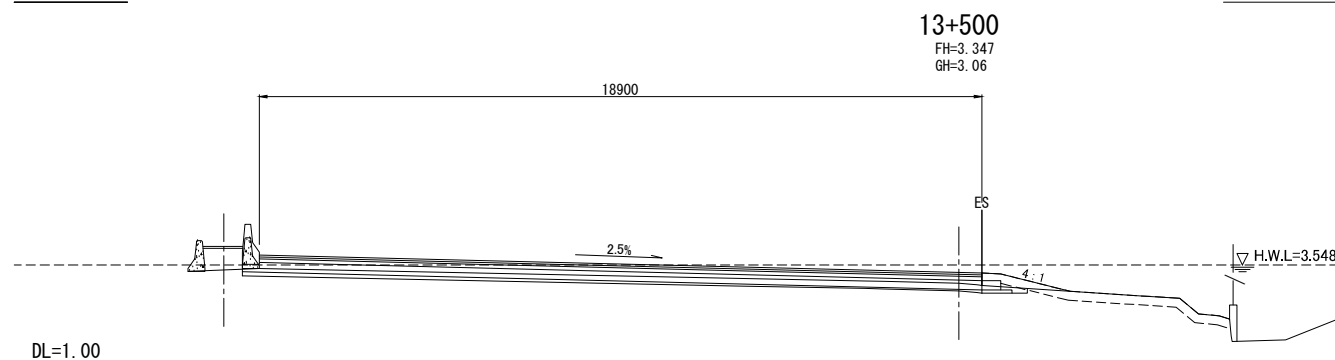
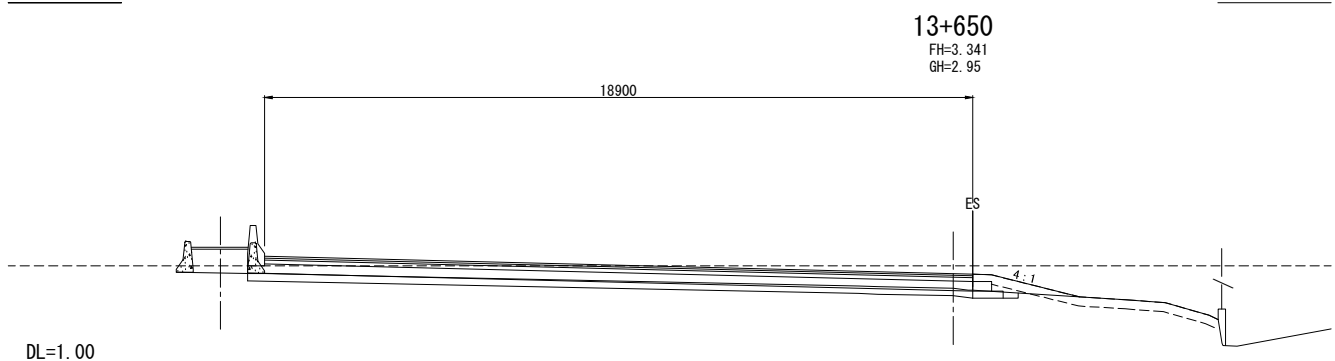
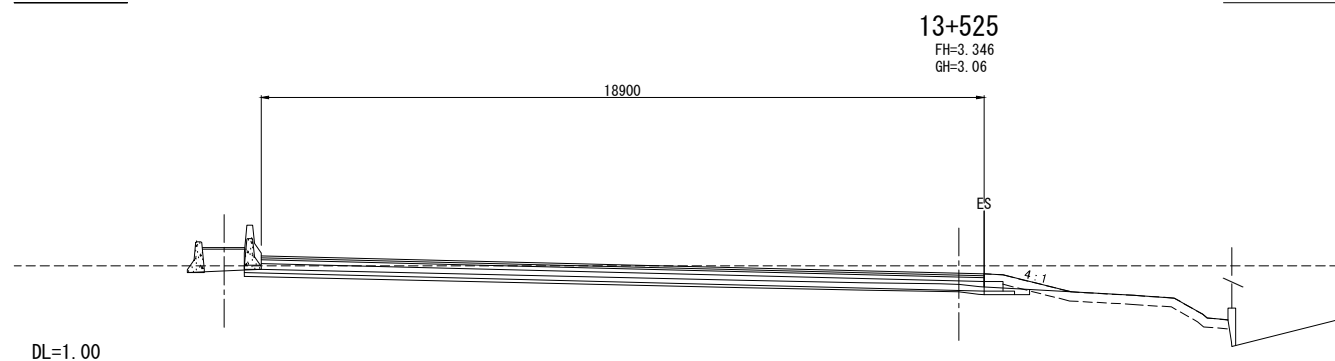
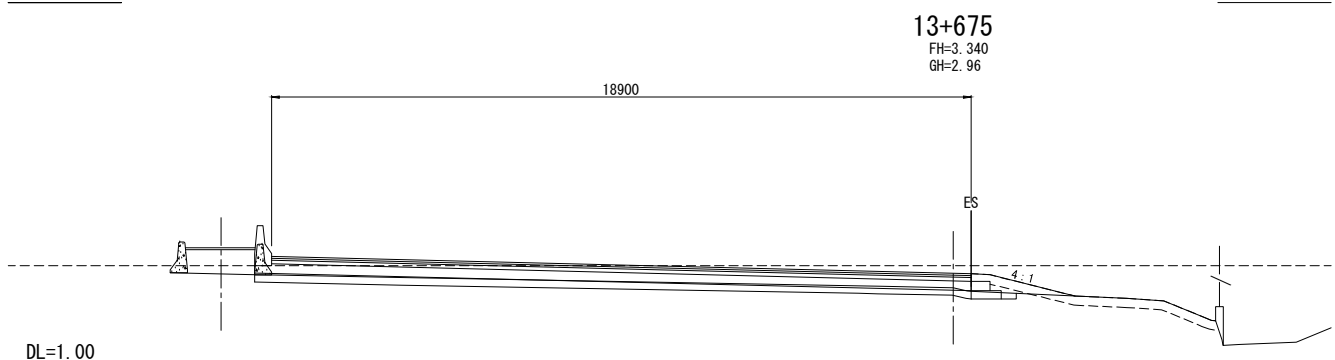
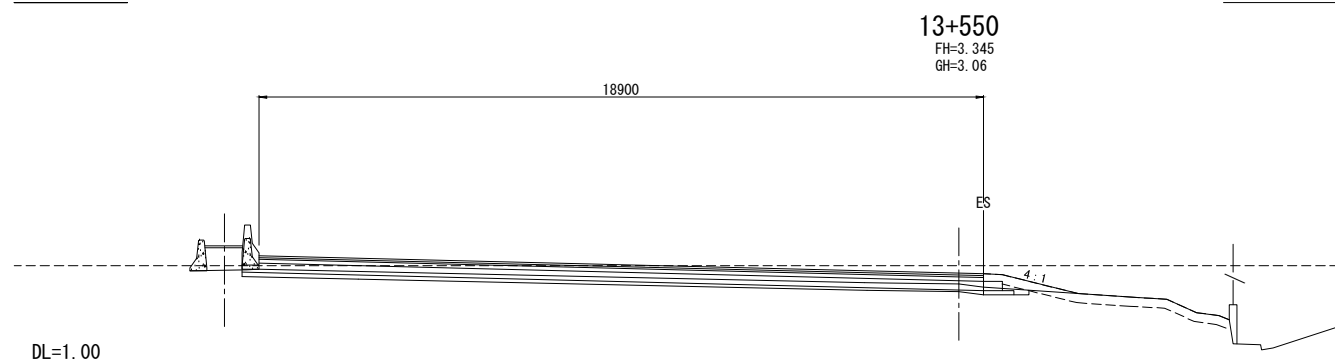
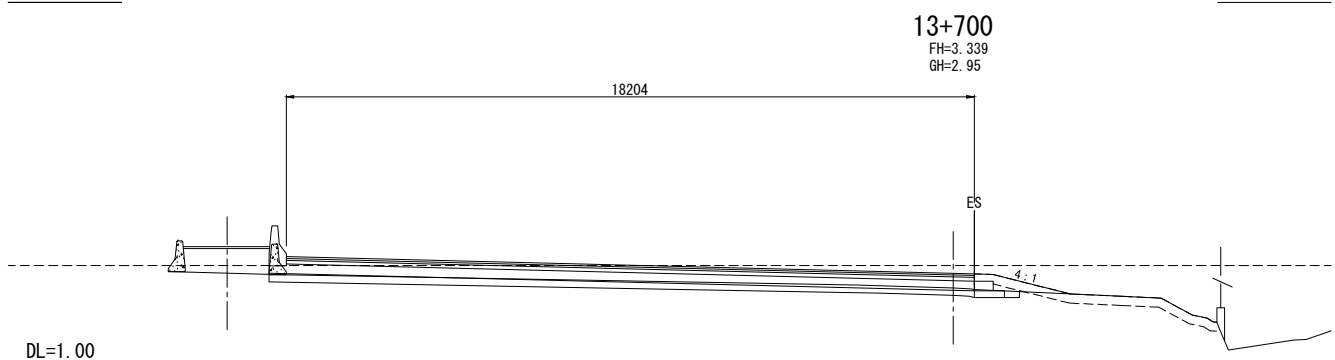
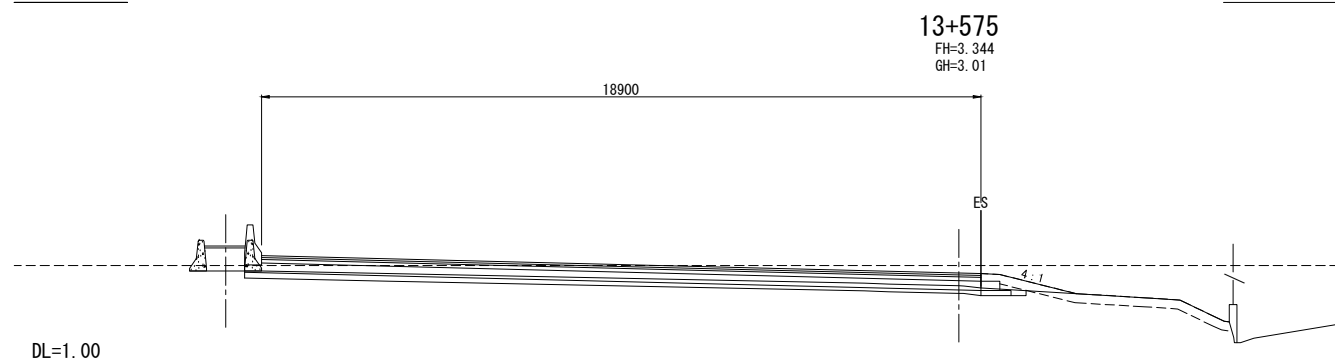
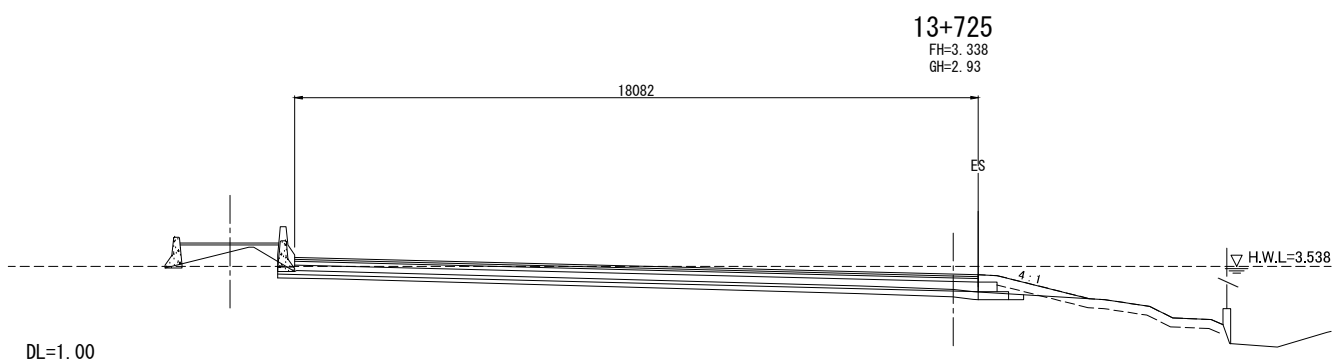
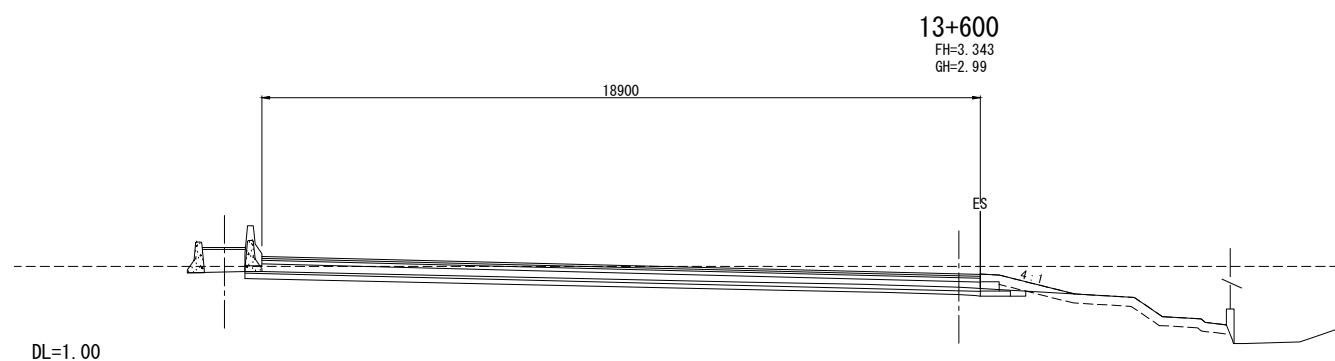
DL=0.00

REV. NO.	DESCRIPTION	ENGINEER		DOH		REV. NO.	APPROVED BY		HIGHWAY ROUTE NO. 9	OWNER	PROJECT TITLE		DESIGNED BY	CHECKED BY	DATE:	SCALE:
		CHECKED	DATE	CHECKED	DATE								SAGARA Hidetaka ROAD ENGINEER	WATANABE Ryohei CHIEF ENGINEER	AUGUST 2012	SCALE 1:100
									CROSS SECTIONS (10 / 70)	The Inter-City Motorways Division Department of Highways Ministry of Transport	The Preparatory Survey on the Rehabilitation Project of the Outer Bangkok Ring Road			DWG. NO.	SHEET NO.	
														MW-61	66	

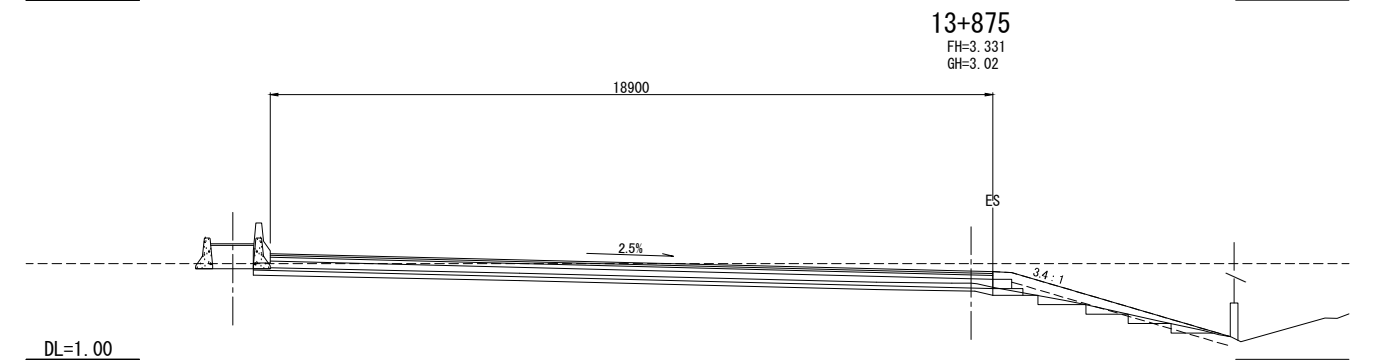
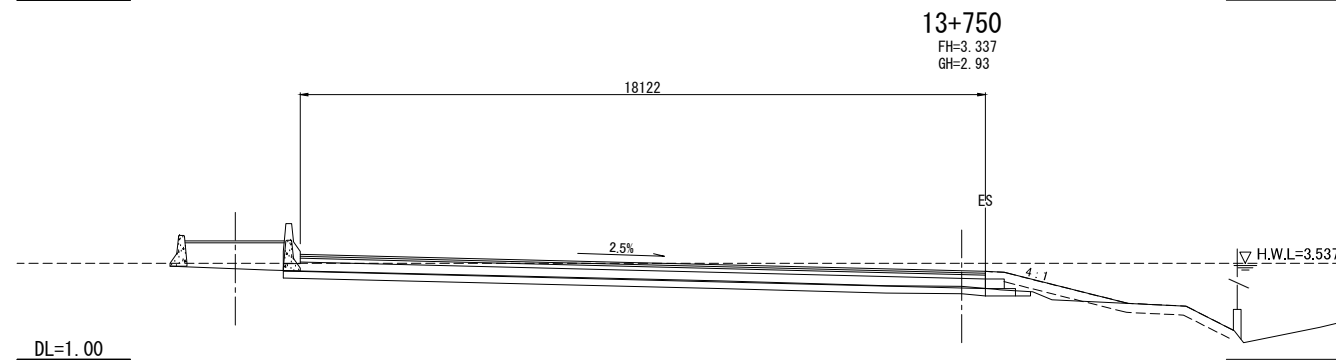
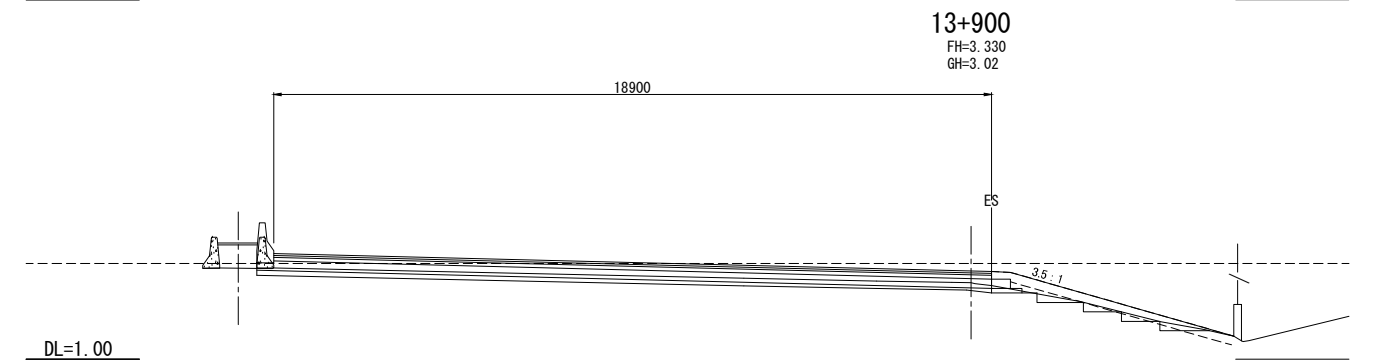
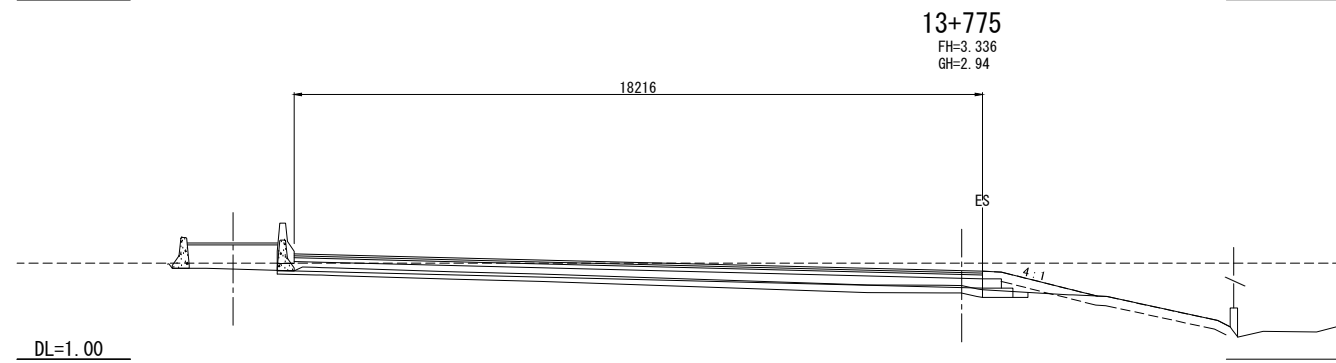
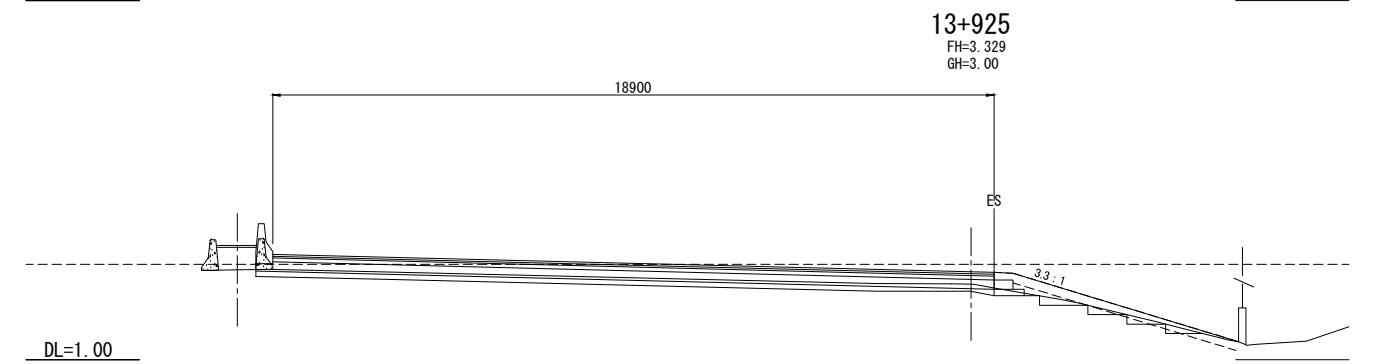
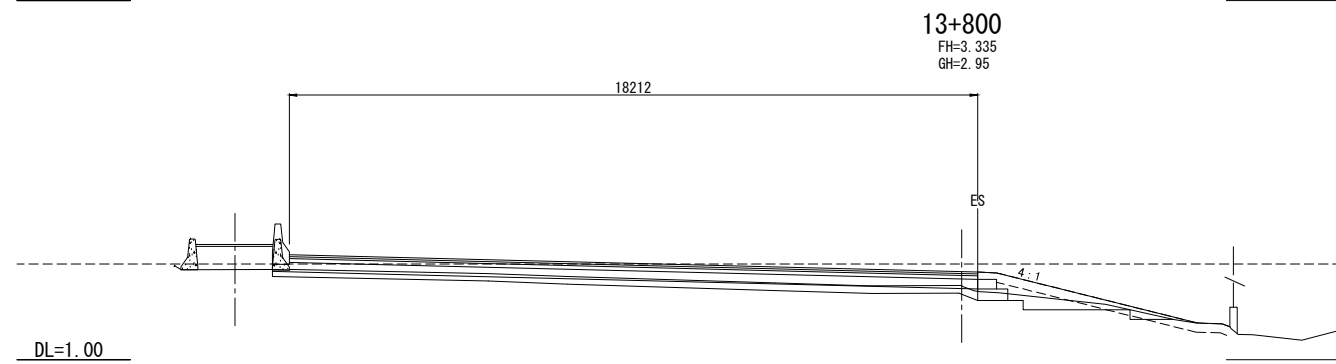
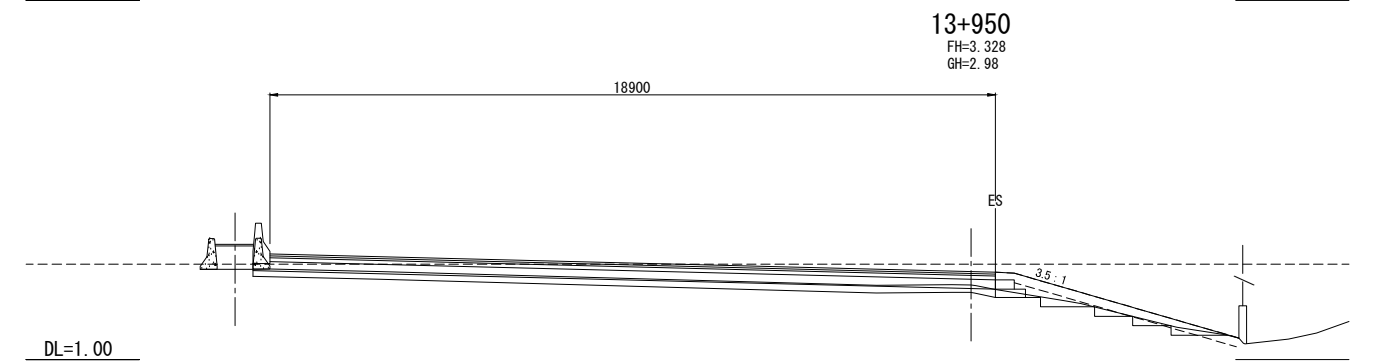
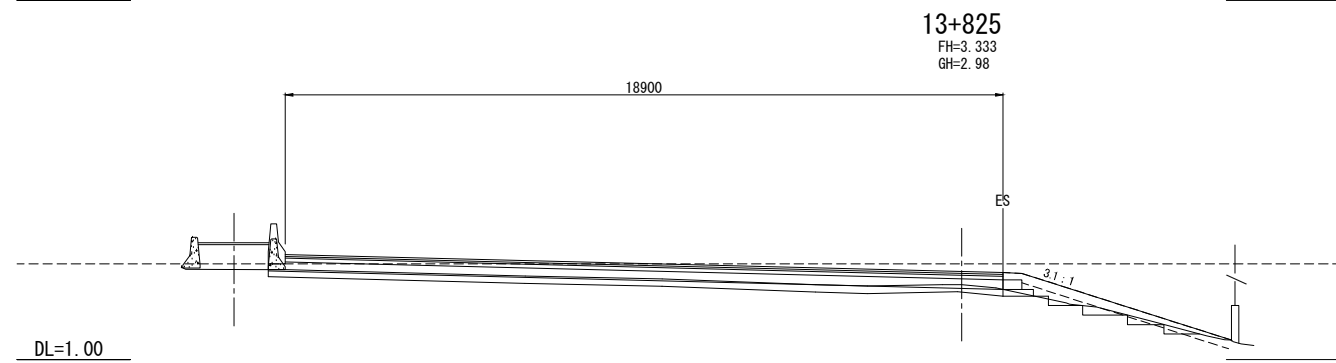
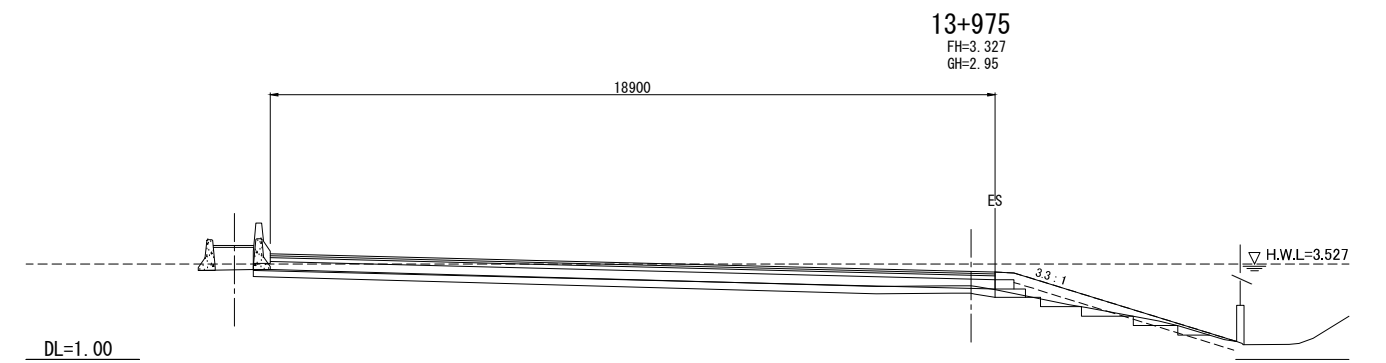
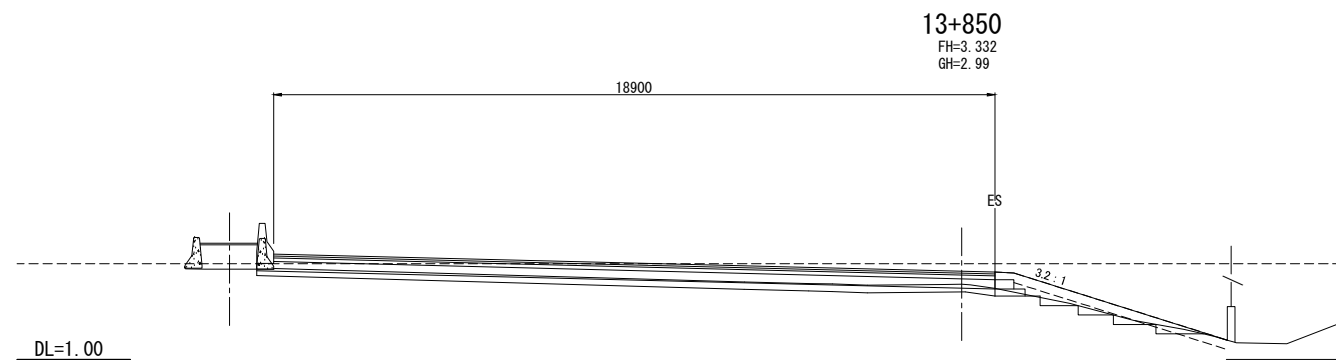


REV. NO.	DESCRIPTION	ENGINEER		DOH		REV. NO.	APPROVED BY	KINGDOM OF THAILAND MINISTRY OF TRANSPORT DEPARTMENT OF HIGHWAYS	HIGHWAY ROUTE NO. 9	OWNER The Inter-City Motorways Division Department of Highways Ministry of Transport	PROJECT TITLE The Preparatory Survey on the Rehabilitation Project of the Outer Bangkok Ring Road	DESIGNED BY SAGARA Hidetaka ROAD ENGINEER	CHECKED BY WATANABE Ryohei CHIEF ENGINEER	DATE:	SCALE:
		CHECKED	DATE	CHECKED	DATE									AUGUST 2012	SCALE 1:100
									CROSS SECTIONS (12 / 70)					DWG. NO. MW-63	SHEET NO. 68

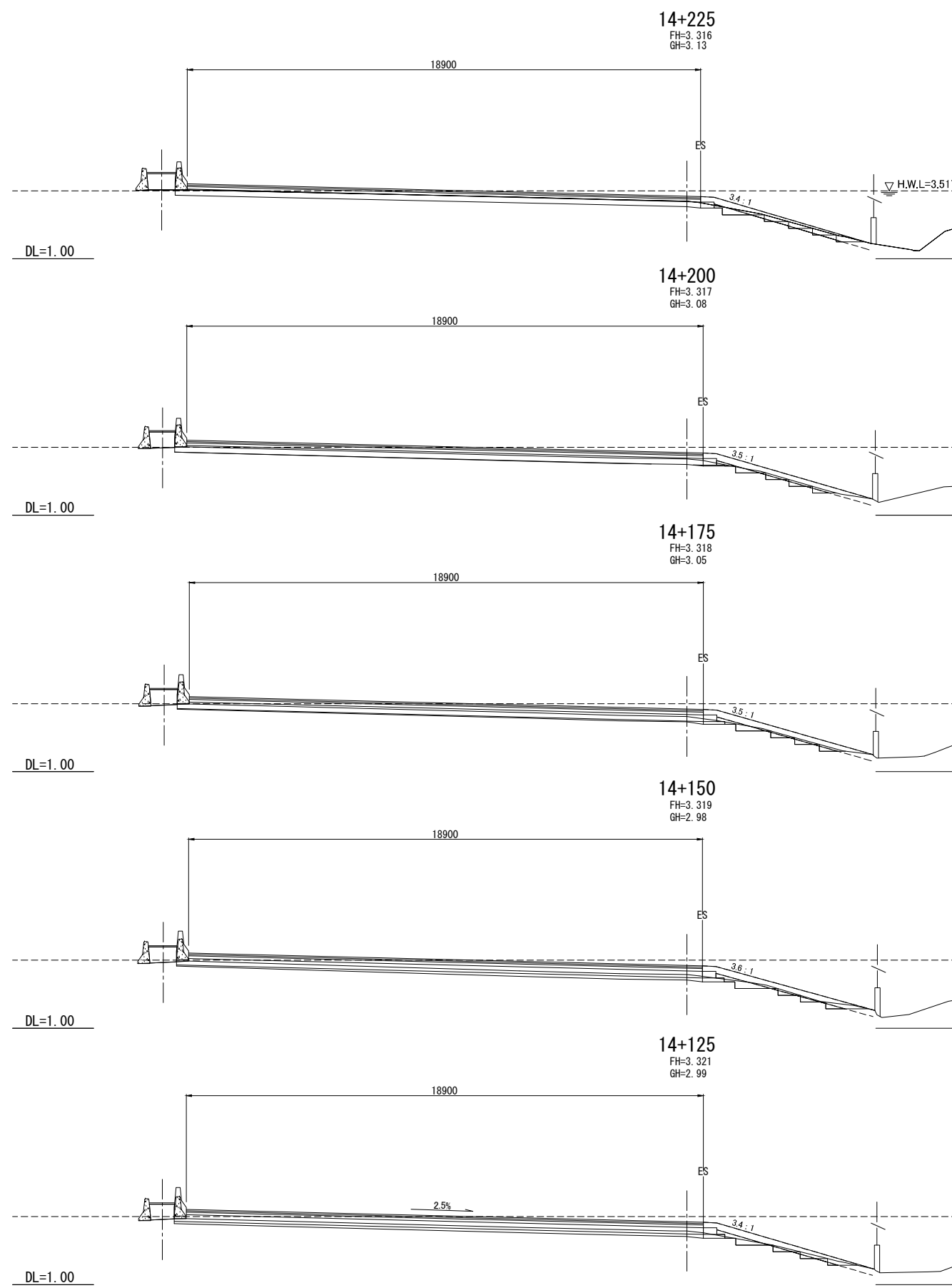
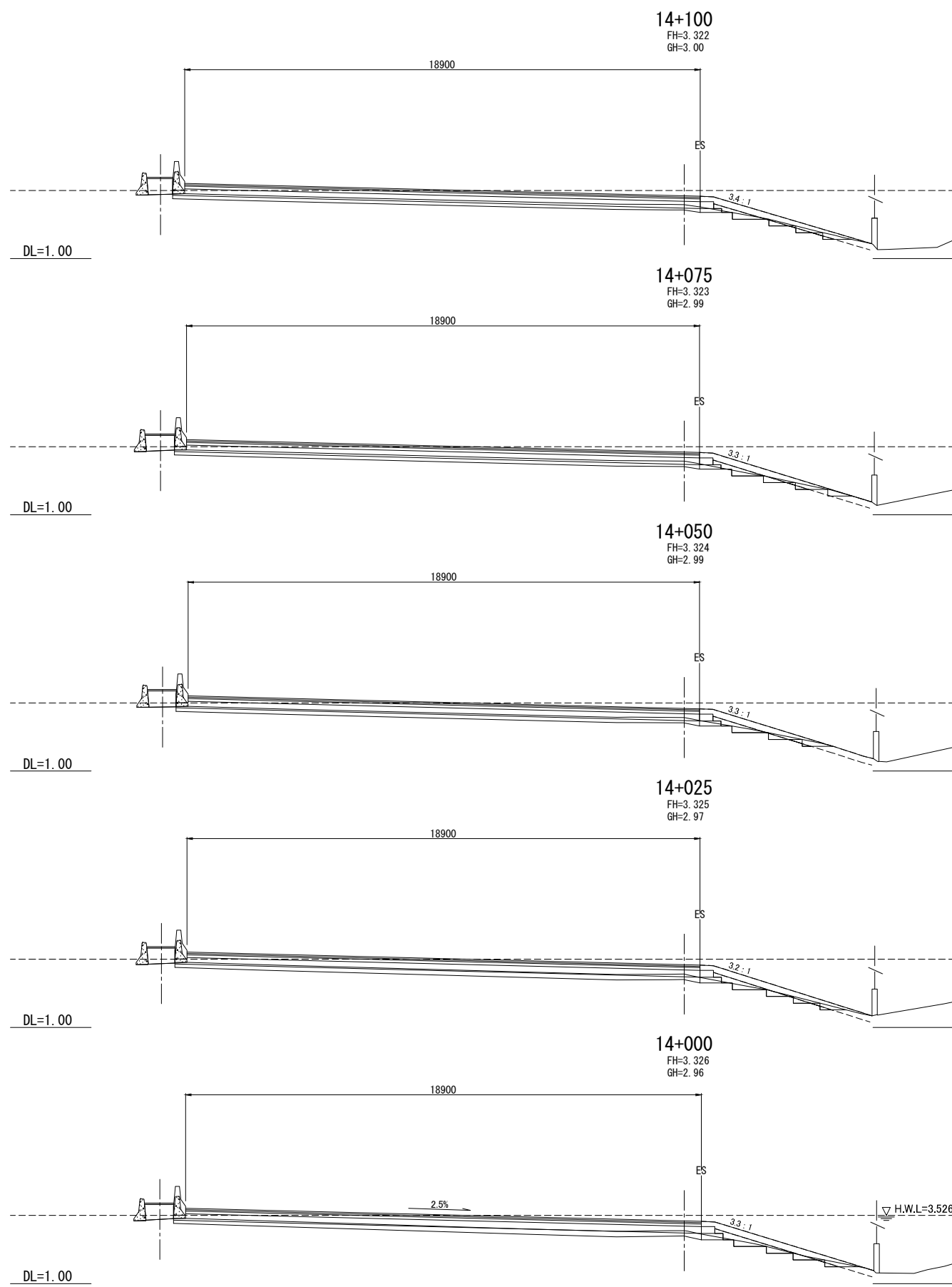
CTI ENGINEERING INTERNATIONAL CO., LTD.
 ORIENTAL CONSULTANTS CO., LTD.
 NIPPON KOEI CO., LTD.
 CTI ENGINEERING CO., LTD.



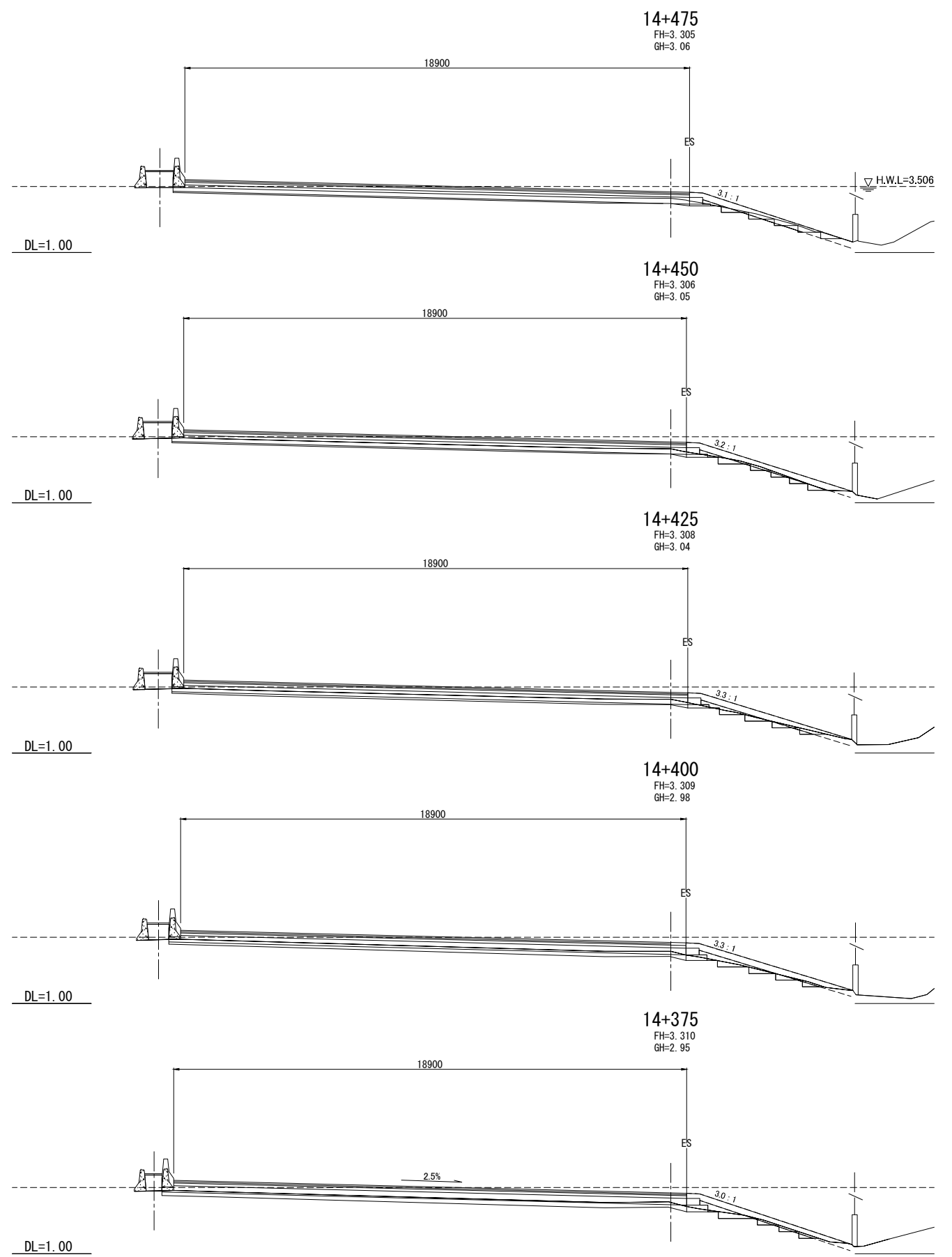
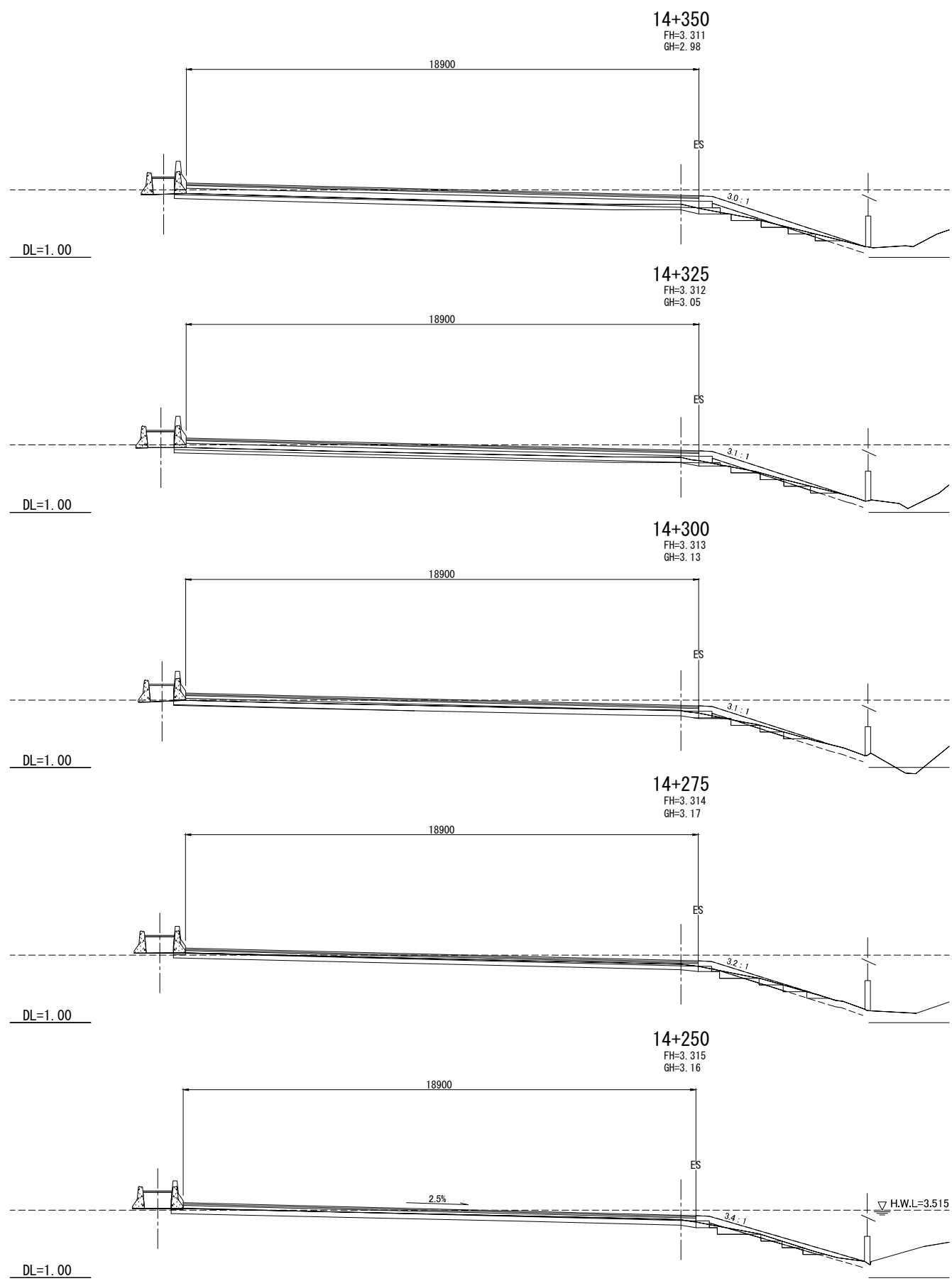
REV. NO.	DESCRIPTION	ENGINEER		DOH		REV. NO.	APPROVED BY	KINGDOM OF THAILAND MINISTRY OF TRANSPORT DEPARTMENT OF HIGHWAYS	HIGHWAY ROUTE NO. 9	OWNER The Inter-City Motorways Division Department of Highways Ministry of Transport	PROJECT TITLE The Preparatory Survey on the Rehabilitation Project of the Outer Bangkok Ring Road	DESIGNED BY SAGARA Hidetaka ROAD ENGINEER	CHECKED BY WATANABE Ryohei CHIEF ENGINEER	DATE:	SCALE:
		CHECKED	DATE	CHECKED	DATE									AUGUST 2012	SCALE 1:100
									CROSS SECTIONS (13 / 70)					DWG. NO. MW-64	SHEET NO. 69



REV. NO.	DESCRIPTION	ENGINEER		DOH		REV. NO.	APPROVED BY	KINGDOM OF THAILAND MINISTRY OF TRANSPORT DEPARTMENT OF HIGHWAYS	HIGHWAY ROUTE NO. 9	OWNER The Inter-City Motorways Division Department of Highways Ministry of Transport	PROJECT TITLE The Preparatory Survey on the Rehabilitation Project of the Outer Bangkok Ring Road	DESIGNED BY SAGARA Hidetaka ROAD ENGINEER	CHECKED BY WATANABE Ryohei CHIEF ENGINEER	DATE:	SCALE:
		CHECKED	DATE	CHECKED	DATE									AUGUST 2012	SCALE 1:100
														DWG. NO. MW-65	SHEET NO. 70

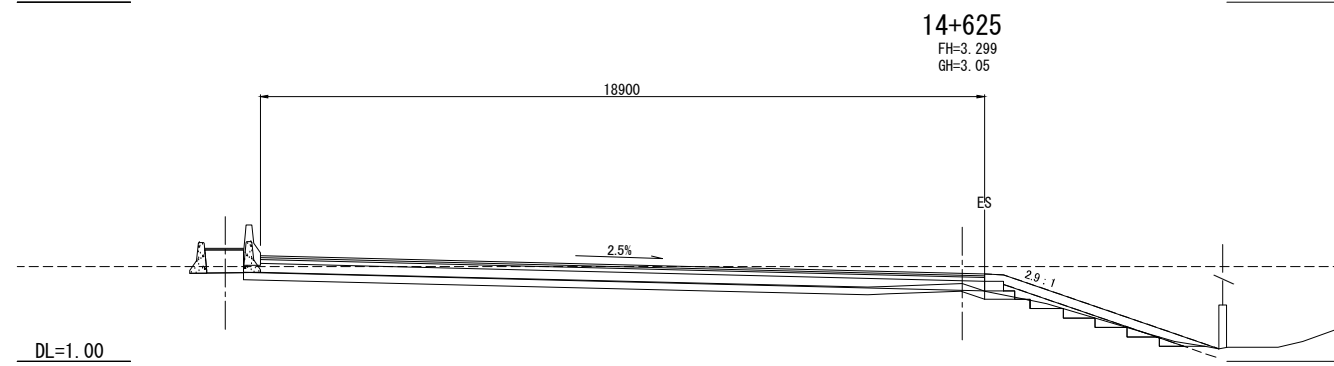
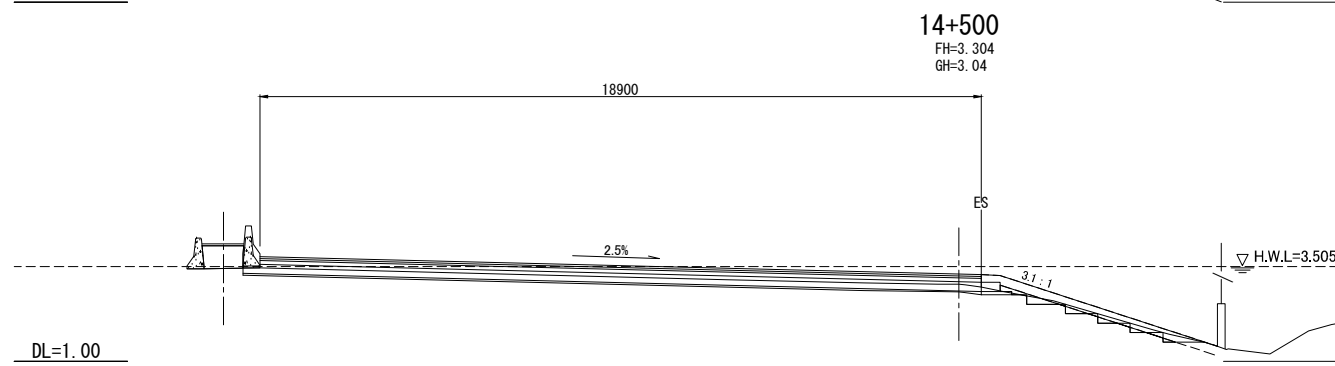
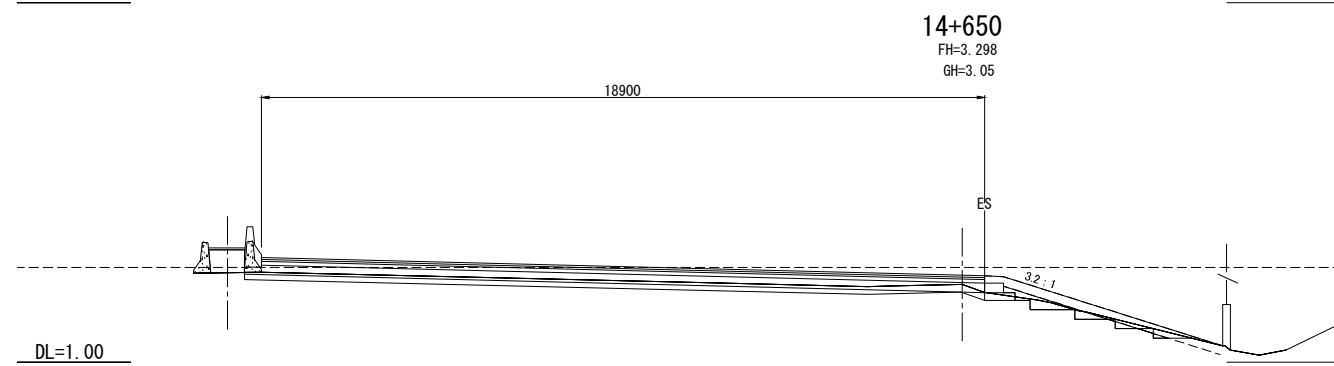
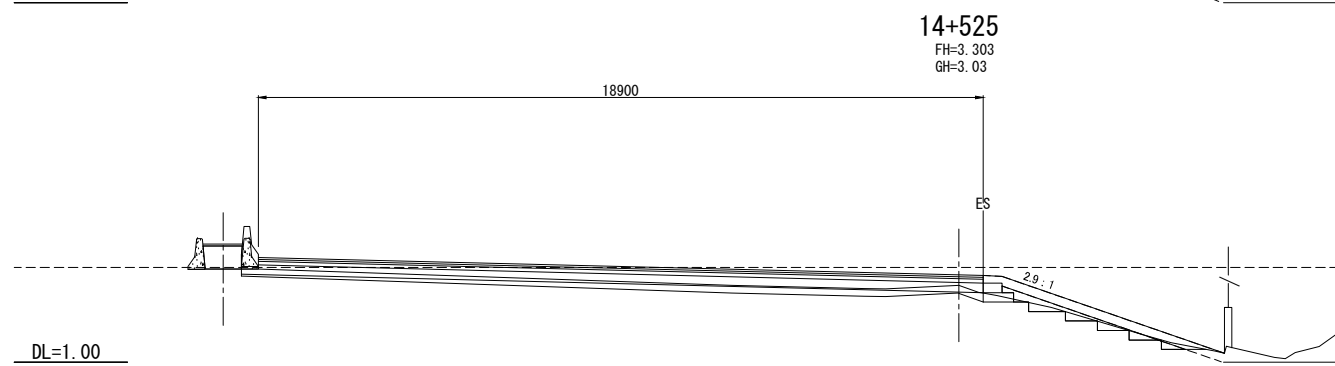
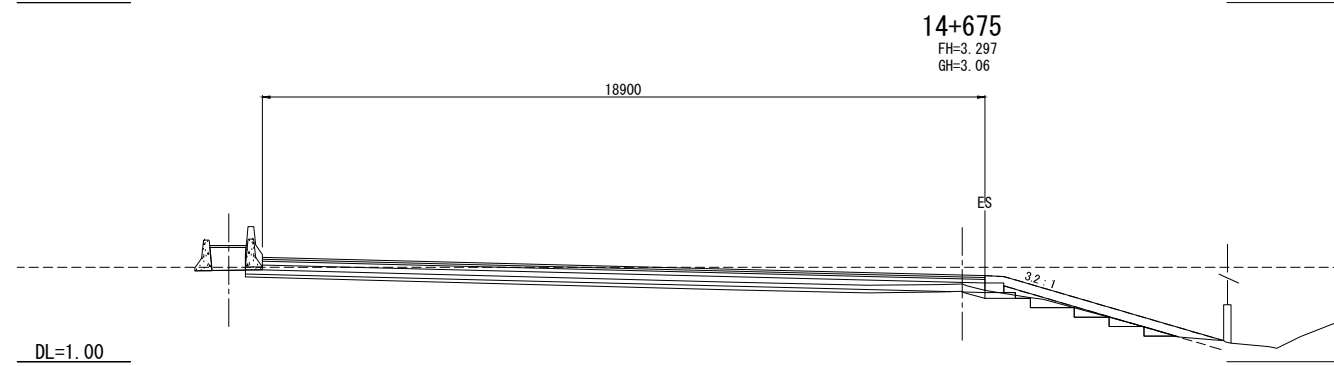
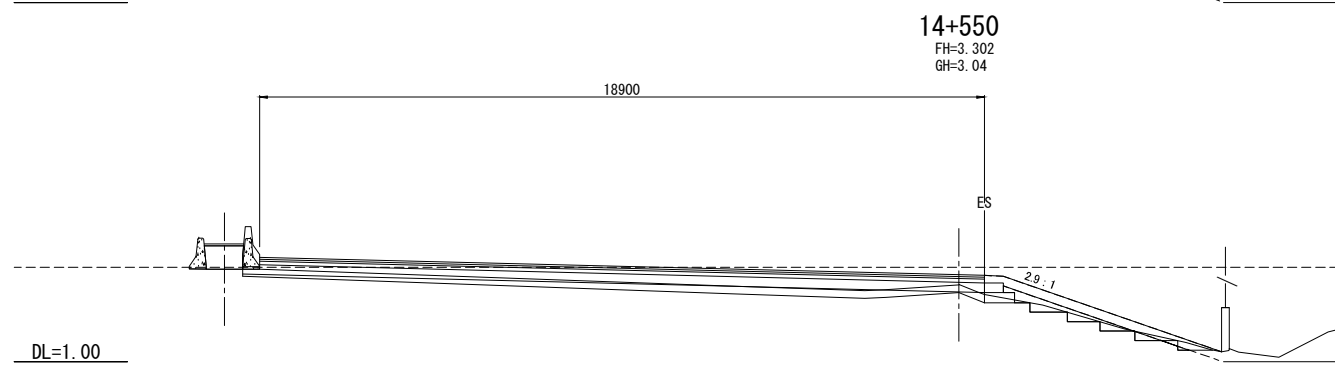
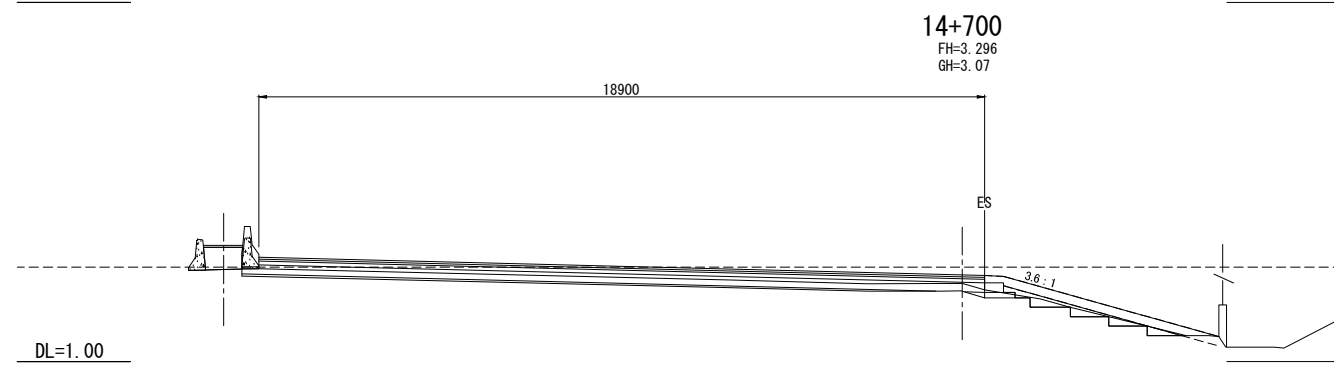
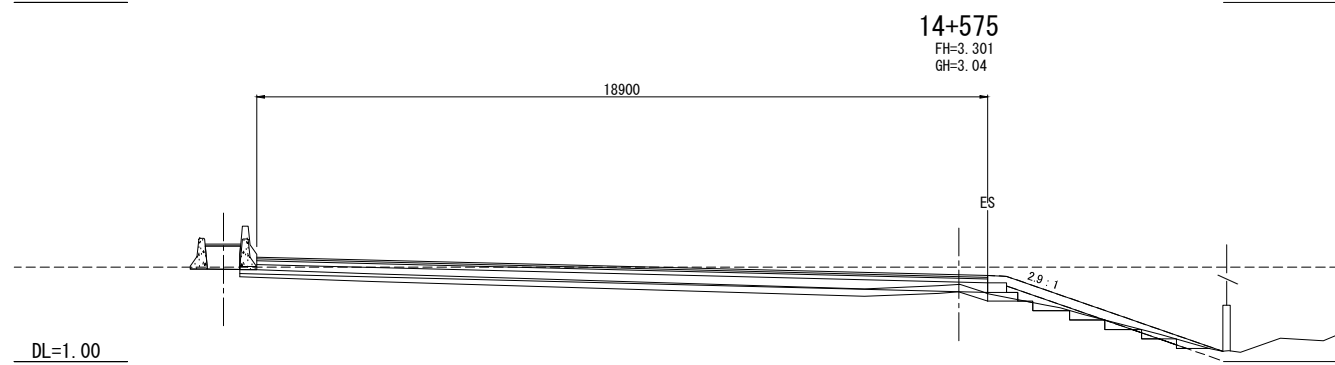
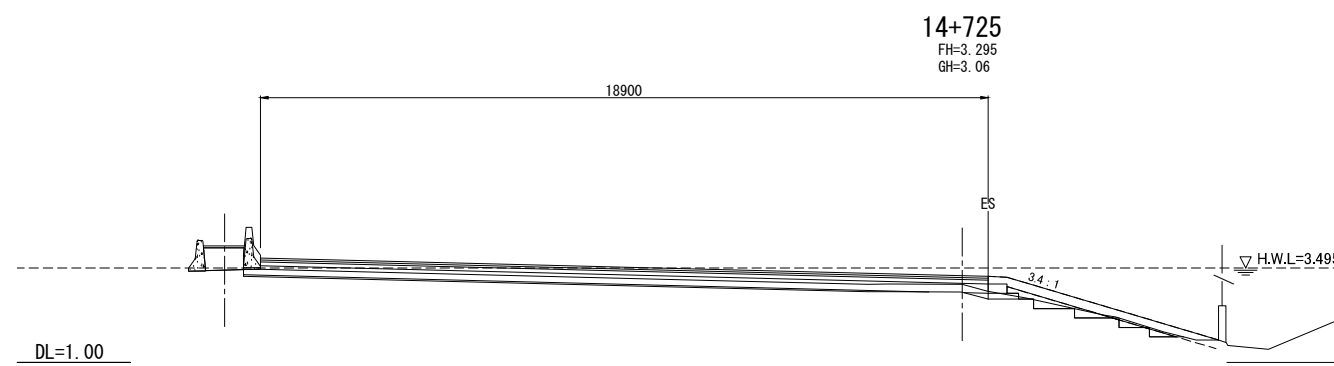
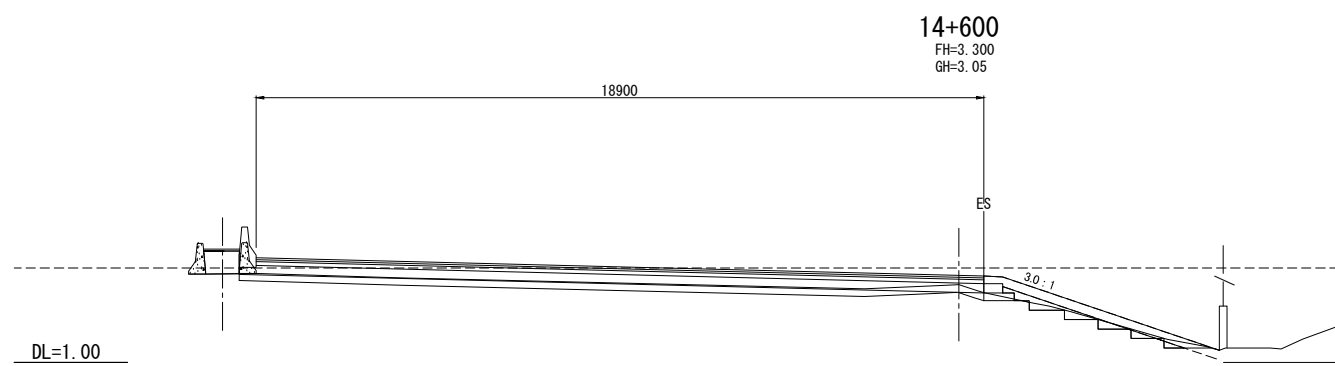


REV. NO.	DESCRIPTION	ENGINEER		DOH		REV. NO.	APPROVED BY	KINGDOM OF THAILAND MINISTRY OF TRANSPORT DEPARTMENT OF HIGHWAYS	HIGHWAY ROUTE NO. 9	OWNER The Inter-City Motorways Division Department of Highways Ministry of Transport	PROJECT TITLE The Preparatory Survey on the Rehabilitation Project of the Outer Bangkok Ring Road	DESIGNED BY SAGARA Hidetaka ROAD ENGINEER	CHECKED BY WATANABE Ryohei CHIEF ENGINEER	DATE :	SCALE :
		CHECKED	DATE	CHECKED	DATE									AUGUST 2012	SCALE 1:100
														DWG. NO. MW-66	SHEET NO. 71

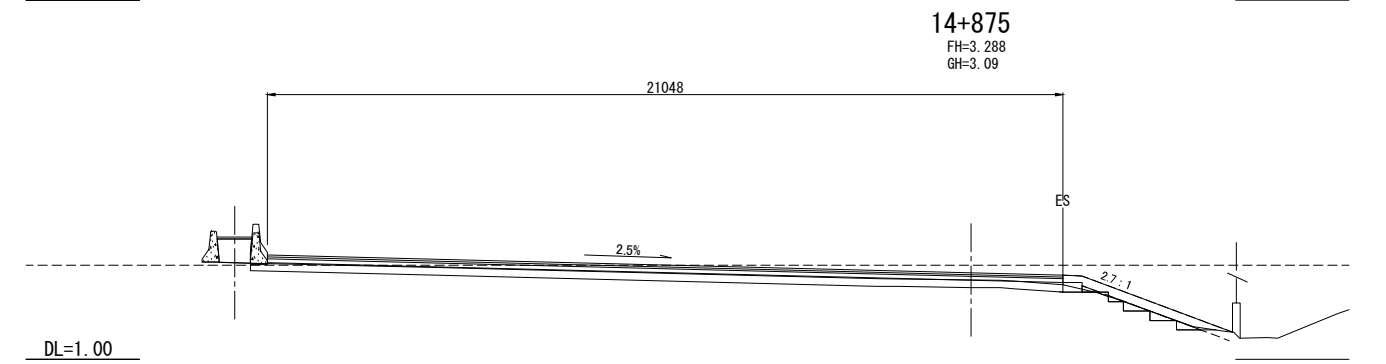
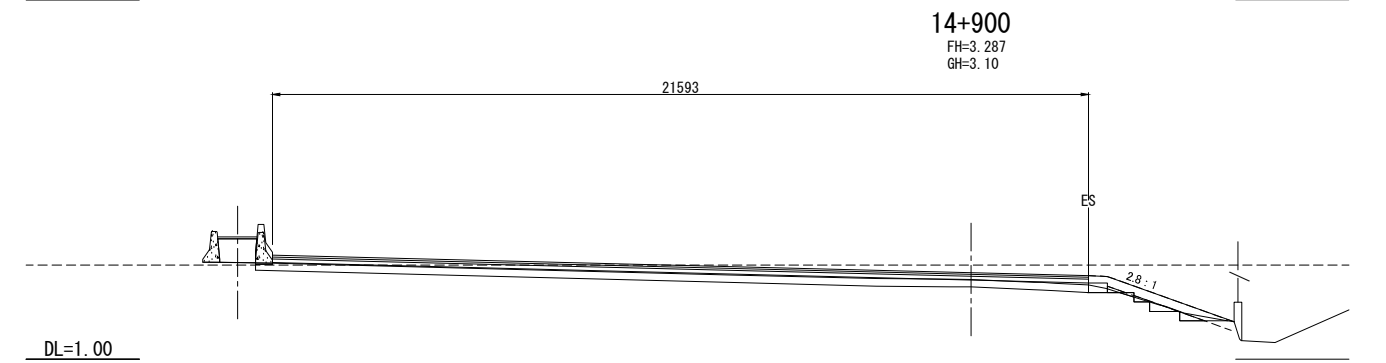
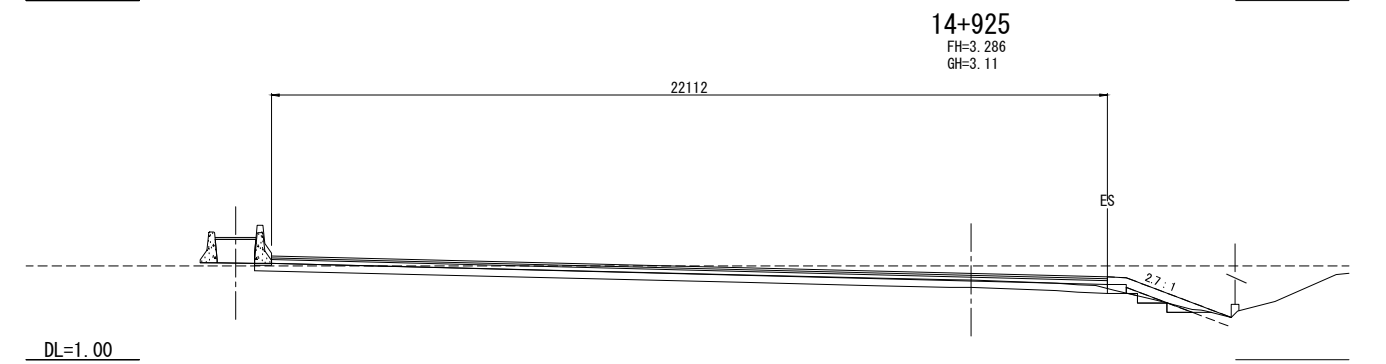
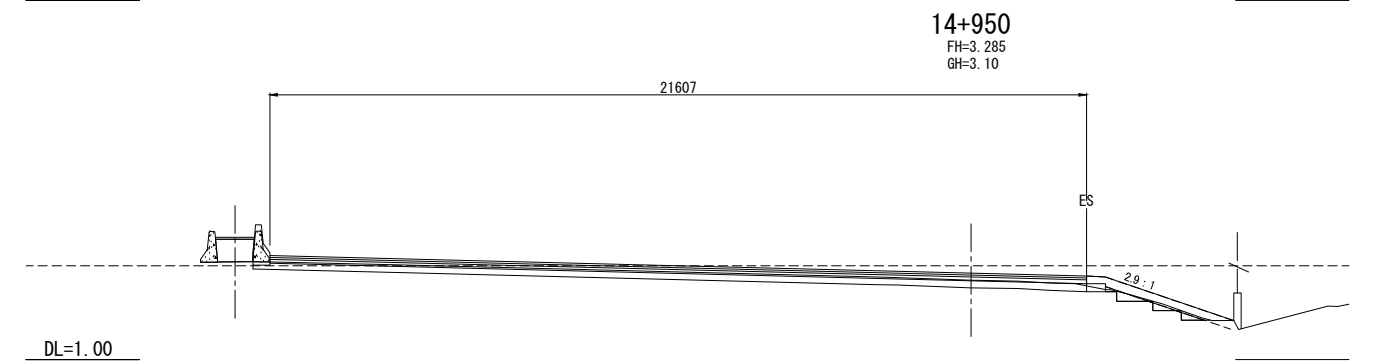
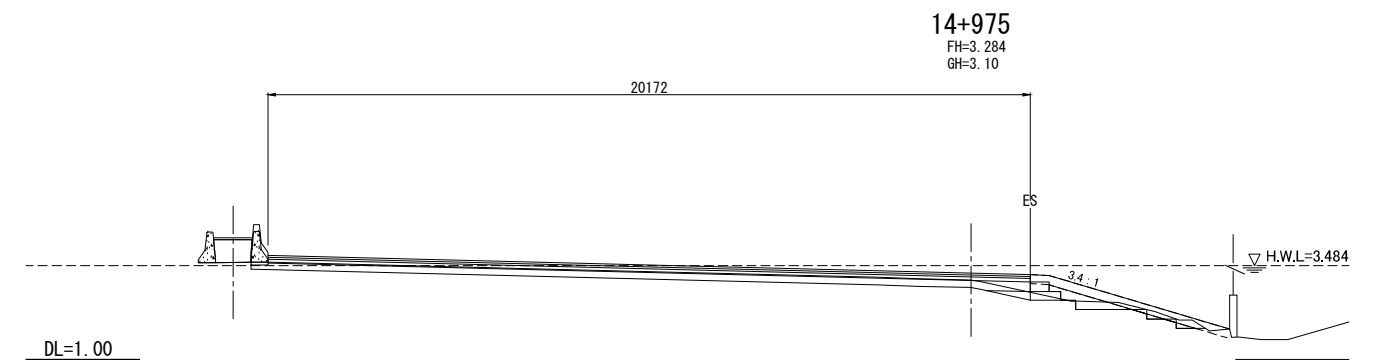
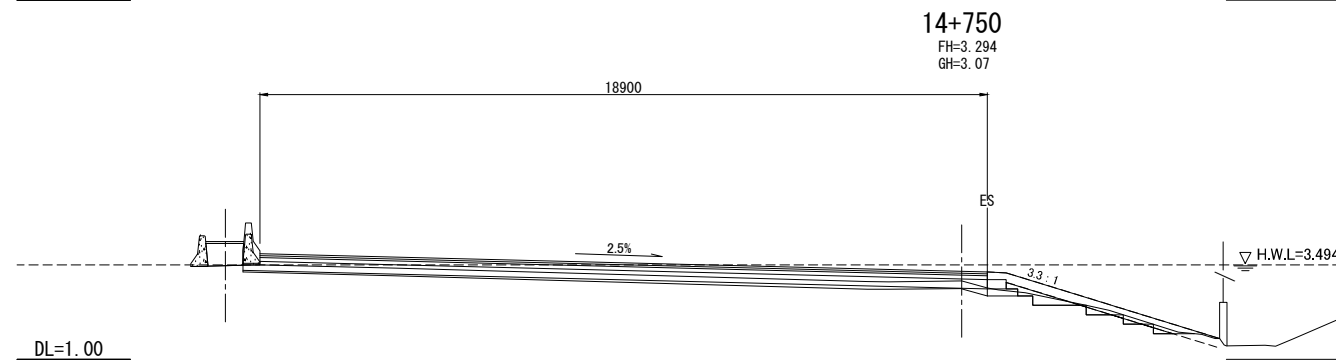
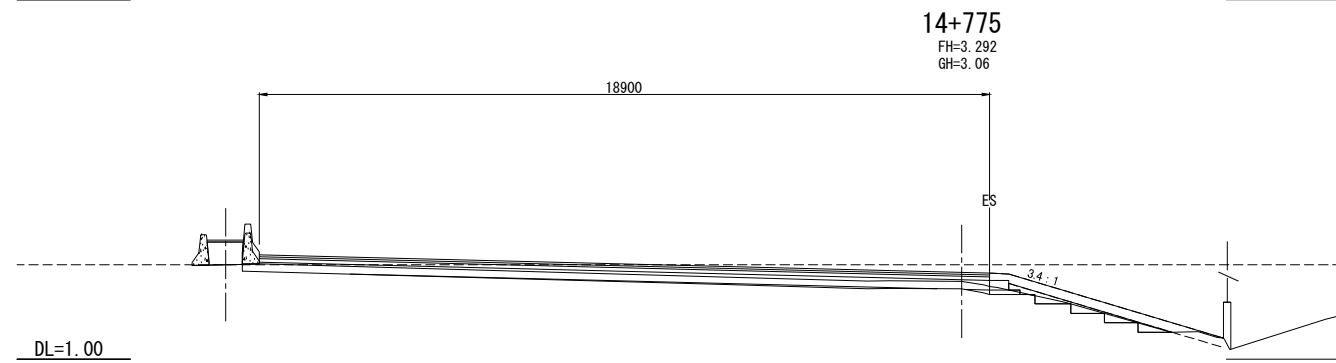
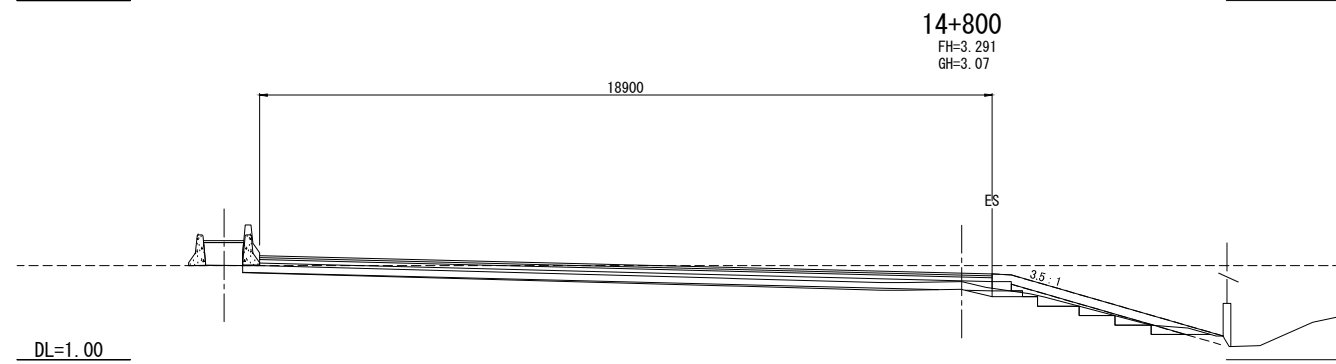
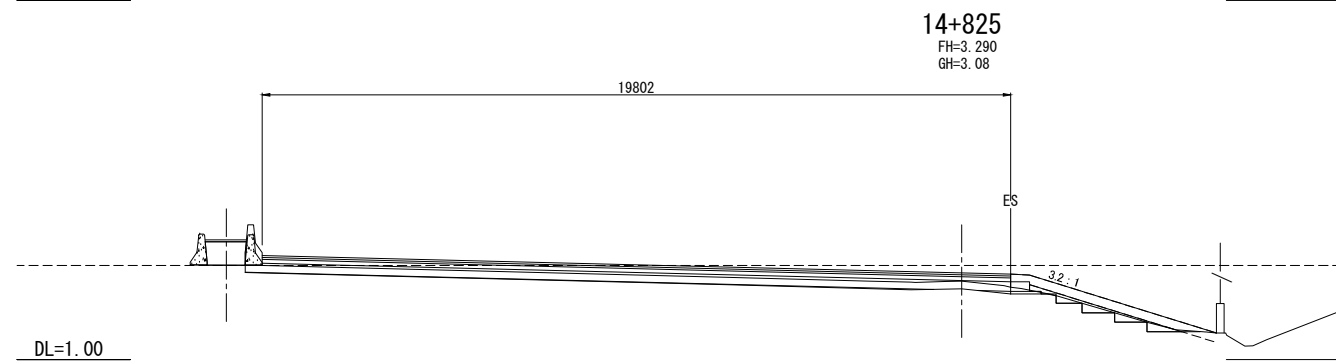
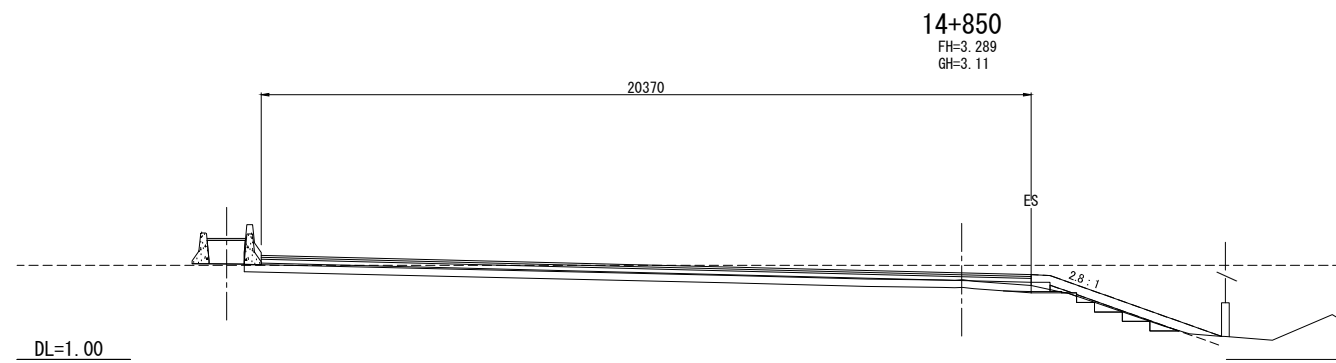


REV. NO.	DESCRIPTION	ENGINEER		DOH		REV. NO.	APPROVED BY	KINGDOM OF THAILAND MINISTRY OF TRANSPORT DEPARTMENT OF HIGHWAYS	HIGHWAY ROUTE NO. 9	OWNER The Inter-City Motorways Division Department of Highways Ministry of Transport	PROJECT TITLE The Preparatory Survey on the Rehabilitation Project of the Outer Bangkok Ring Road	DESIGNED BY SAGARA Hidetaka ROAD ENGINEER	CHECKED BY WATANABE Ryohei CHIEF ENGINEER	DATE:	SCALE:
		CHECKED	DATE	CHECKED	DATE									AUGUST 2012	SCALE 1:100
														DWG. NO. MW-67	SHEET NO. 72

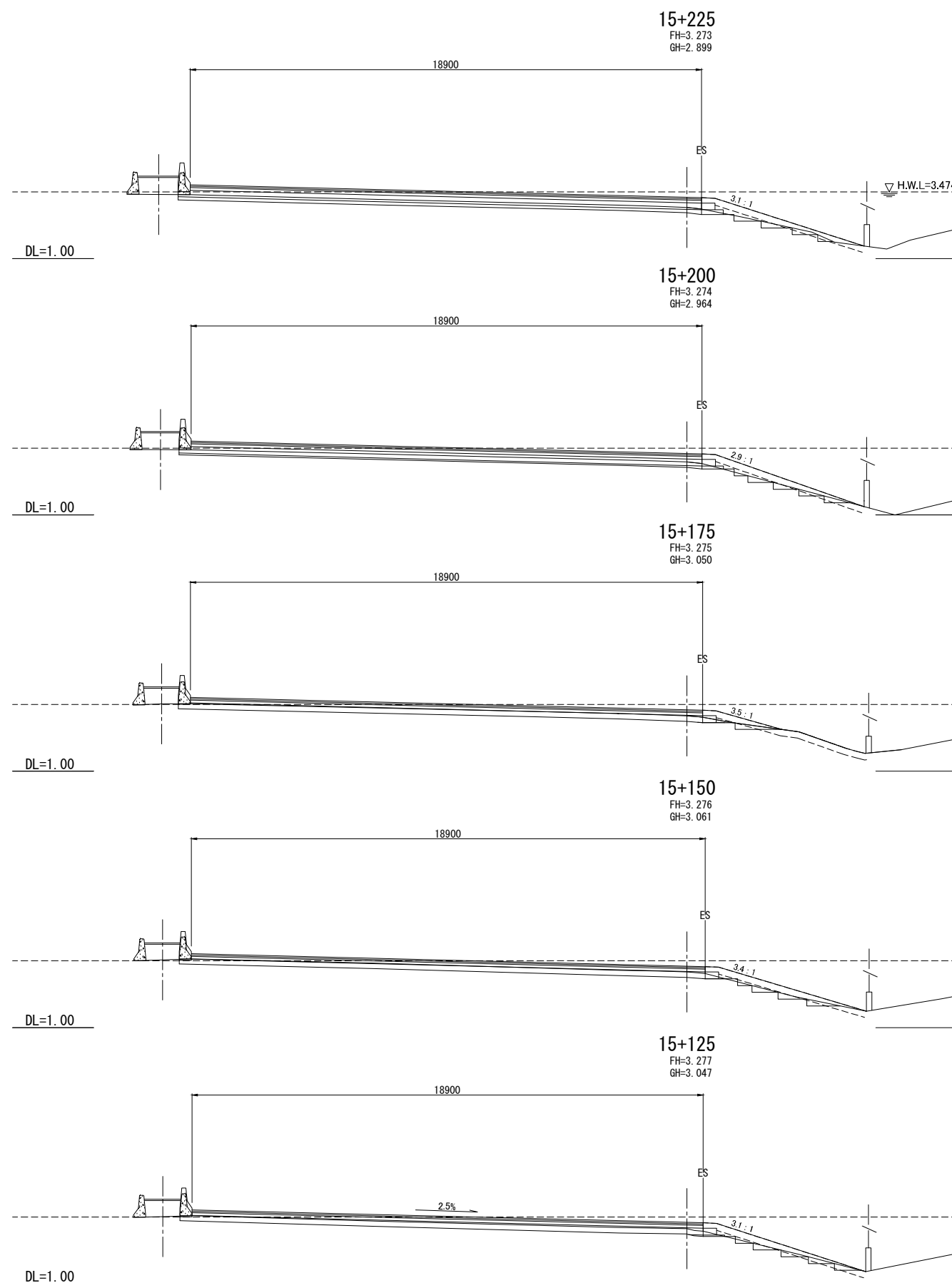
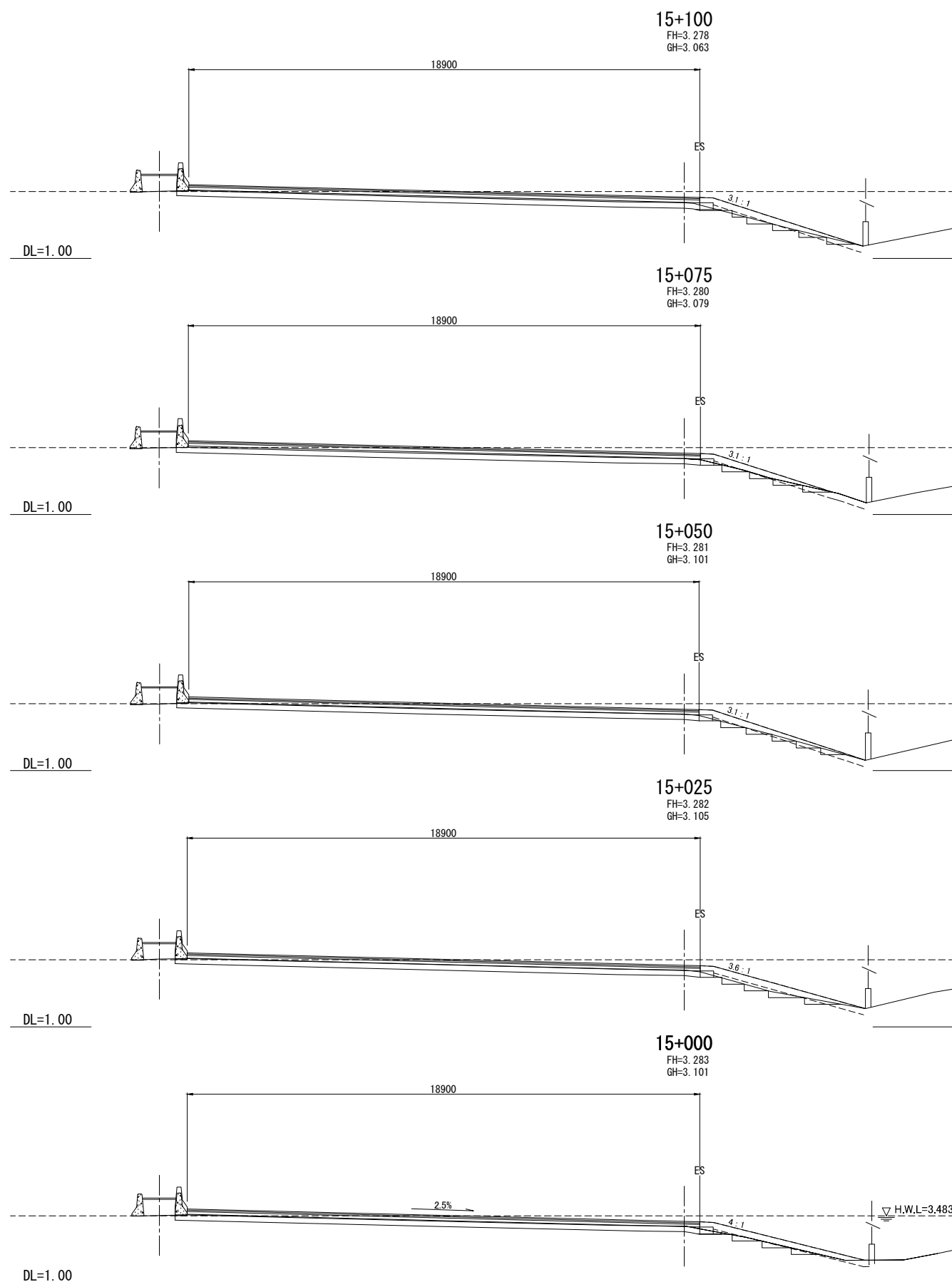
CTI ENGINEERING INTERNATIONAL CO., LTD.
ORIENTAL CONSULTANTS CO., LTD.
NIPPON KOEI CO., LTD.
CTI ENGINEERING CO., LTD.



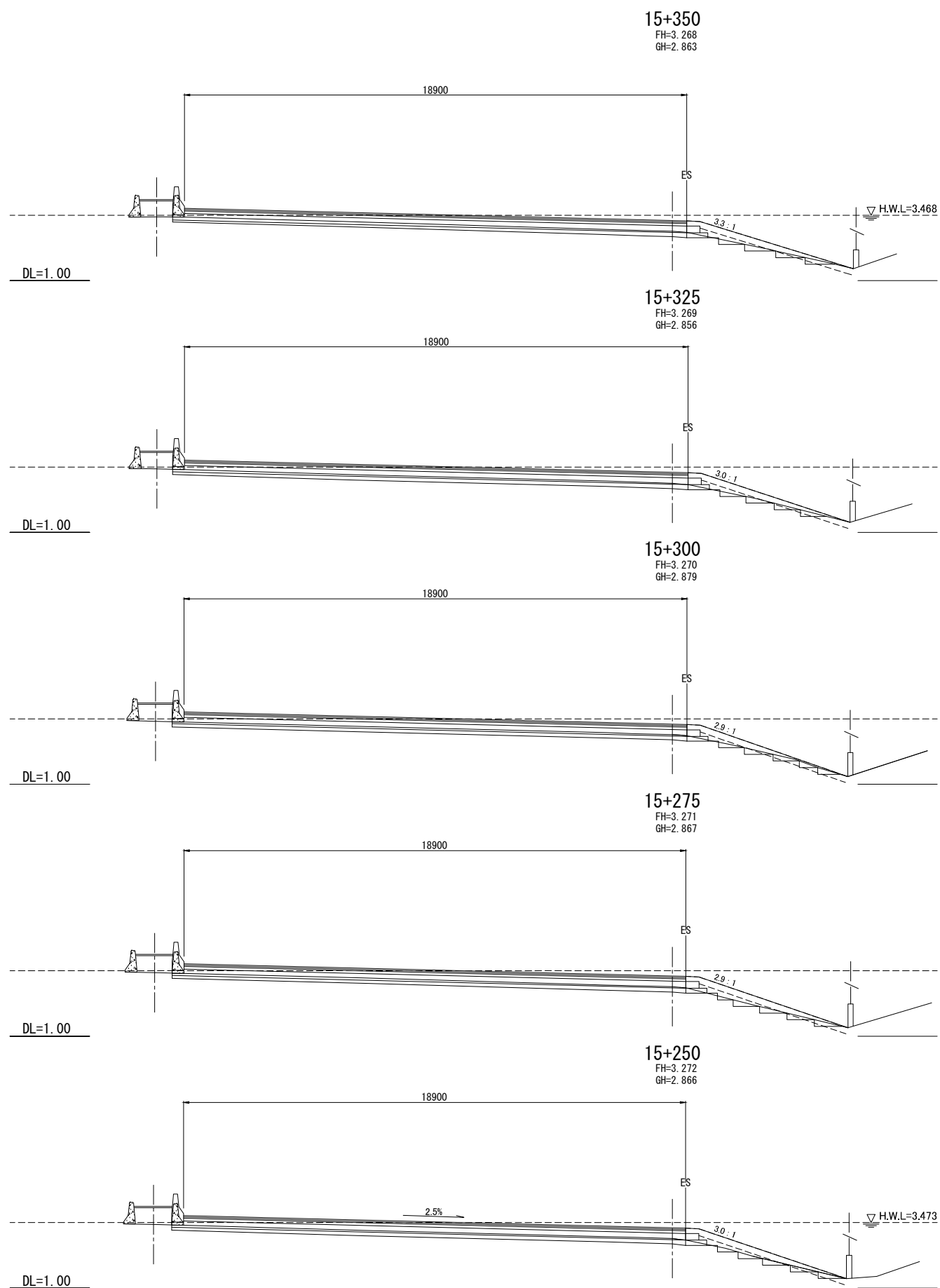
REV. NO.	DESCRIPTION	ENGINEER		DOH		REV. NO.	APPROVED BY	KINGDOM OF THAILAND MINISTRY OF TRANSPORT DEPARTMENT OF HIGHWAYS	HIGHWAY ROUTE NO. 9	OWNER The Inter-City Motorways Division Department of Highways Ministry of Transport	PROJECT TITLE The Preparatory Survey on the Rehabilitation Project of the Outer Bangkok Ring Road	DESIGNED BY SAGARA Hidetaka ROAD ENGINEER	CHECKED BY WATANABE Ryohei CHIEF ENGINEER	DATE:	SCALE:
		CHECKED	DATE	CHECKED	DATE									AUGUST 2012	SCALE 1:100
														DWG. NO. MW-68	SHEET NO. 73



REV. NO.	DESCRIPTION	ENGINEER		DOH		REV. NO.	APPROVED BY	KINGDOM OF THAILAND MINISTRY OF TRANSPORT DEPARTMENT OF HIGHWAYS	HIGHWAY ROUTE NO. 9	OWNER The Inter-City Motorways Division Department of Highways Ministry of Transport	PROJECT TITLE The Preparatory Survey on the Rehabilitation Project of the Outer Bangkok Ring Road	DESIGNED BY SAGARA Hidetaka ROAD ENGINEER	CHECKED BY WATANABE Ryohei CHIEF ENGINEER	DATE:	SCALE:
		CHECKED	DATE	CHECKED	DATE									AUGUST 2012	SCALE 1:100
									CROSS SECTIONS (18 / 70)					DWG. NO. MW-69	SHEET NO. 74



REV. NO.	DESCRIPTION	ENGINEER		DOH		REV. NO.	APPROVED BY	KINGDOM OF THAILAND MINISTRY OF TRANSPORT DEPARTMENT OF HIGHWAYS	HIGHWAY ROUTE NO. 9	OWNER The Inter-City Motorways Division Department of Highways Ministry of Transport	PROJECT TITLE The Preparatory Survey on the Rehabilitation Project of the Outer Bangkok Ring Road	DESIGNED BY SAGARA Hidetaka ROAD ENGINEER	CHECKED BY WATANABE Ryohei CHIEF ENGINEER	DATE:	SCALE:
		CHECKED	DATE	CHECKED	DATE									AUGUST 2012	SCALE 1:100
														DWG. NO. MW-70	SHEET NO. 75



DL=1.00

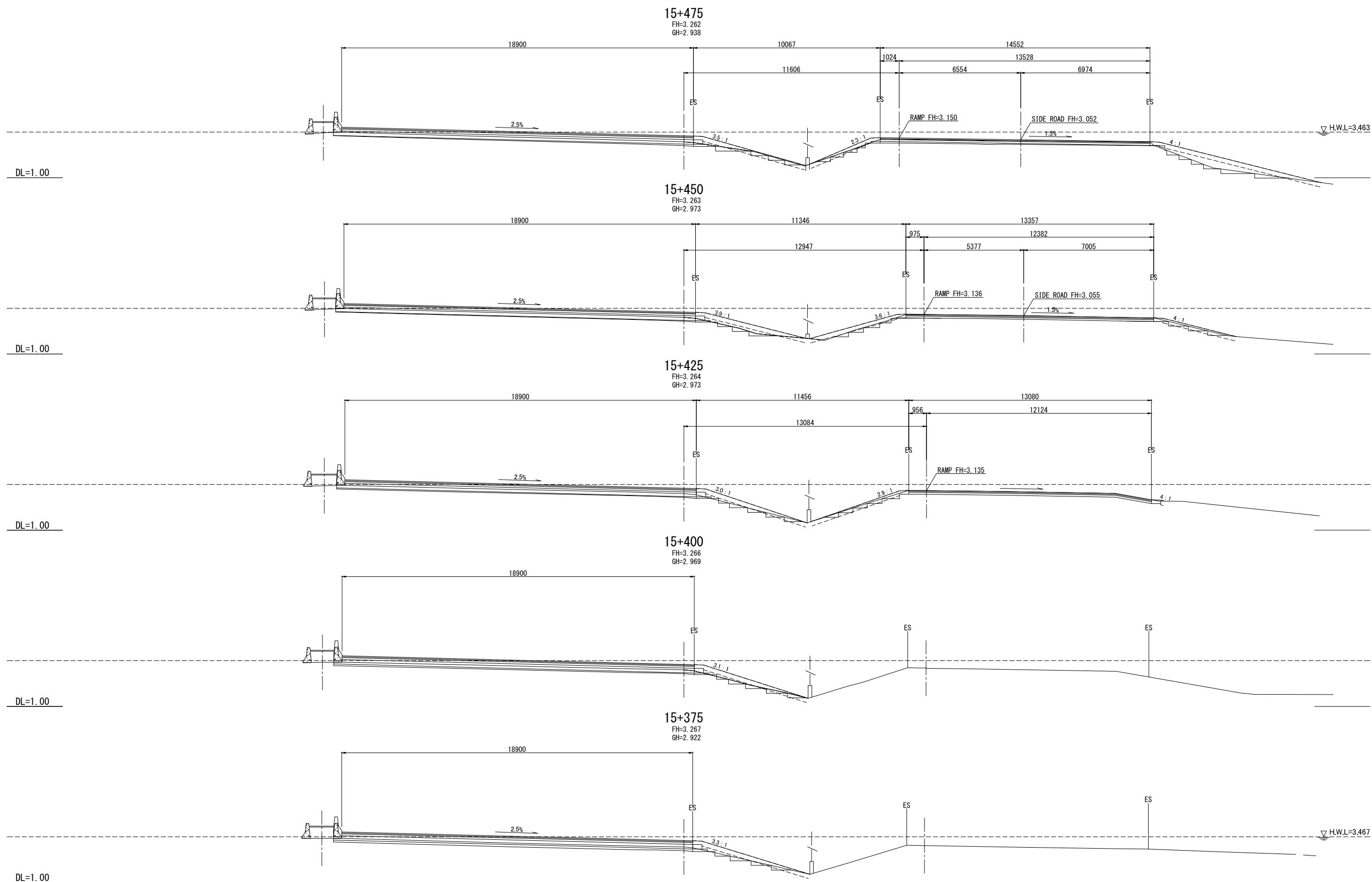
DL=1.00






DL=1.00

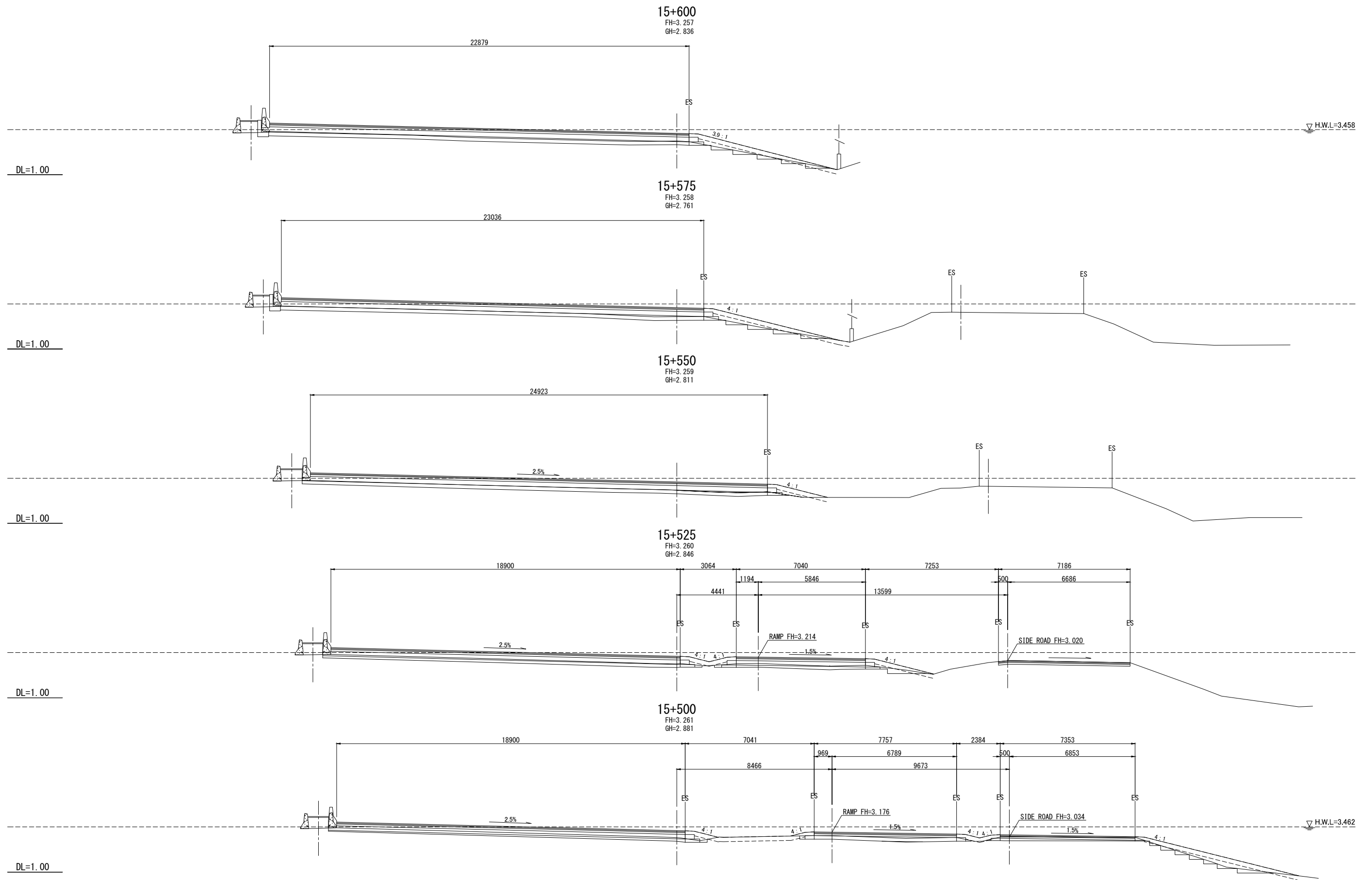
DL=1.00






DL=1.00

REV. NO.	DESCRIPTION	ENGINEER CHECKED DATE	DOH CHECKED DATE	REV. NO.	APPROVED BY	<p>KINGDOM OF THAILAND MINISTRY OF TRANSPORT DEPARTMENT OF HIGHWAYS</p>	HIGHWAY ROUTE NO. 9	OWNER	PROJECT TITLE	<p>CTI ENGINEERING INTERNATIONAL CO., LTD. ORIENTAL CONSULTANTS CO., LTD. NIPPON KOEI CO., LTD. CTI ENGINEERING CO., LTD.</p>	DESIGNED BY	CHECKED BY	DATE	SCALE
							<p>CROSS SECTIONS (20 / 70)</p>	<p>The Inter-City Motorways Division Department of Highways Ministry of Transport</p>	<p>The Preparatory Survey on the Rehabilitation Project of the Outer Bangkok Ring Road</p>		<p>SAGARA Hidetaka ROAD ENGINEER</p>	<p>WATANABE Ryohei CHIEF ENGINEER</p>	<p>AUGUST 2012</p>	<p>SCALE 1:100</p>
											DWG. NO.	SHEET NO.		
											MW-71	76		



REV. NO.	DESCRIPTION	ENGINEER		DOH		REV. NO.	APPROVED BY	 KINGDOM OF THAILAND MINISTRY OF TRANSPORT DEPARTMENT OF HIGHWAYS	HIGHWAY ROUTE NO. 9	OWNER	PROJECT TITLE	 CTI ENGINEERING INTERNATIONAL CO., LTD.  ORIENTAL CONSULTANTS CO., LTD.  NIPPON KOEI CO., LTD.  CTI ENGINEERING CO., LTD.	DESIGNED BY	CHECKED BY	DATE :	SCALE :
		CHECKED	DATE	CHECKED	DATE								SAGARA Hidetaka ROAD ENGINEER	WATANABE Ryohei CHIEF ENGINEER	AUGUST 2012	SCALE 1:100
									CROSS SECTIONS (21 / 70)	The Inter-City Motorways Division Department of Highways Ministry of Transport	The Preparatory Survey on the Rehabilitation Project of the Outer Bangkok Ring Road			DWG. NO. MW-72	SHEET NO. 77	



REV. NO.	DESCRIPTION	ENGINEER		DOH		REV. NO.	APPROVED BY	 KINGDOM OF THAILAND MINISTRY OF TRANSPORT DEPARTMENT OF HIGHWAYS	HIGHWAY ROUTE NO. 9	OWNER	PROJECT TITLE	 CTI ENGINEERING INTERNATIONAL CO., LTD.  ORIENTAL CONSULTANTS CO., LTD.  NIPPON KOEI CO., LTD.  CTI ENGINEERING CO., LTD.	DESIGNED BY	CHECKED BY	DATE	SCALE
		CHECKED	DATE	CHECKED	DATE								SAGARA Hidetaka ROAD ENGINEER	WATANABE Ryohei CHIEF ENGINEER	AUGUST 2012	SCALE 1:100
								CROSS SECTIONS (22 / 70)	The Inter-City Motorways Division Department of Highways Ministry of Transport	The Preparatory Survey on the Rehabilitation Project of the Outer Bangkok Ring Road				DWG. NO. MW-73	SHEET NO. 78	

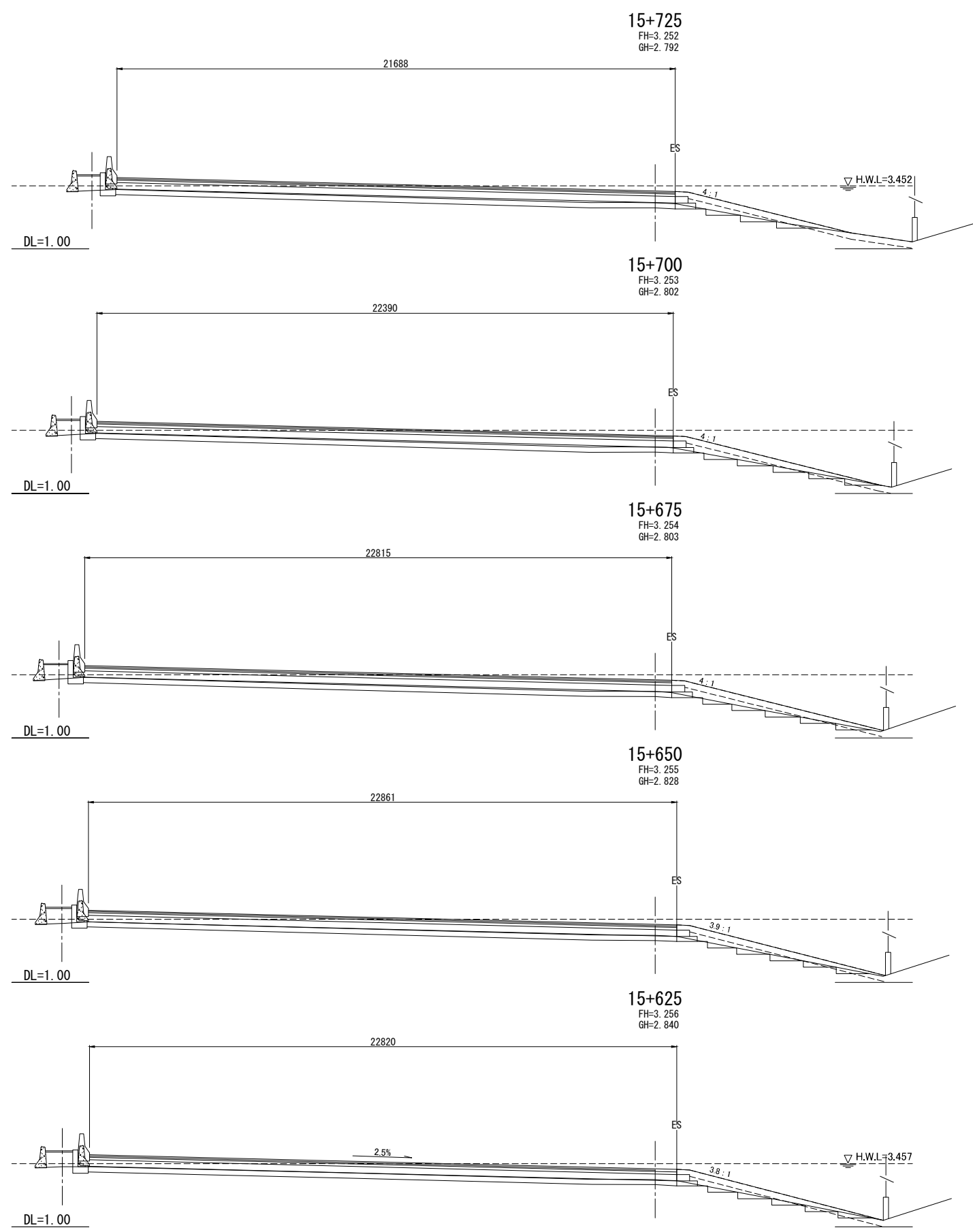
DL=1.00

DL=1.00

DL=1.00

DL=1.00

DL=1.00



REV. NO.	DESCRIPTION	ENGINEER		DOH		REV. NO.	APPROVED BY
		CHECKED	DATE	CHECKED	DATE		



HIGHWAY ROUTE NO. 9

CROSS SECTIONS
(23 / 70)

OWNER
The Inter-City Motorways Division
Department of Highways
Ministry of Transport

PROJECT TITLE
The Preparatory Survey on
the Rehabilitation Project of
the Outer Bangkok Ring Road

CTI ENGINEERING INTERNATIONAL CO., LTD.
ORIENTAL CONSULTANTS CO., LTD.
NIPPON KOEI CO., LTD.
CTI ENGINEERING CO., LTD.

DESIGNED BY
SAGARA Hidetaka
ROAD ENGINEER

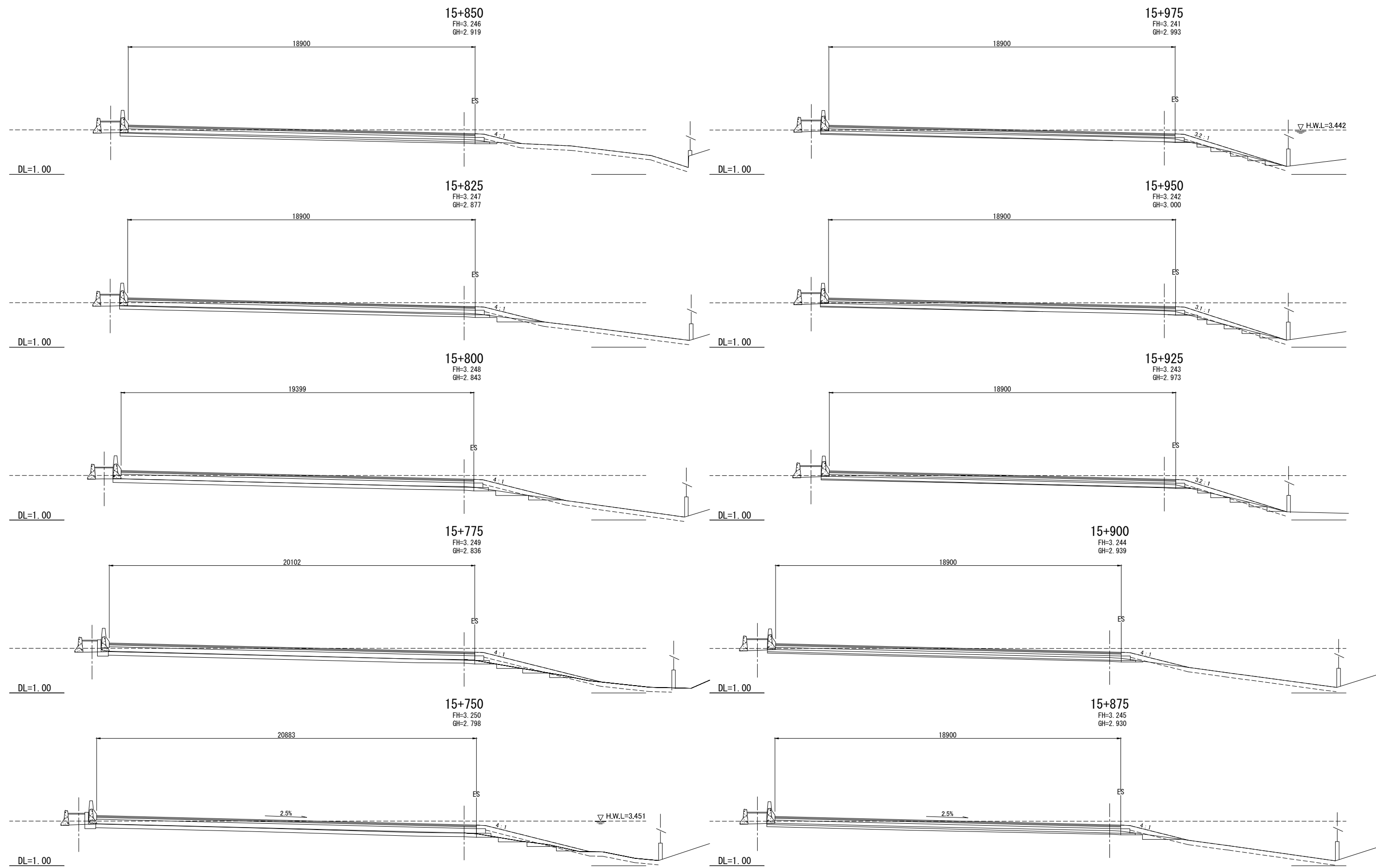
CHECKED BY
WATANABE Ryohei
CHIEF ENGINEER

DATE :
AUGUST 2012

DWG. NO.
MW-74

SCALE :
SCALE 1:100

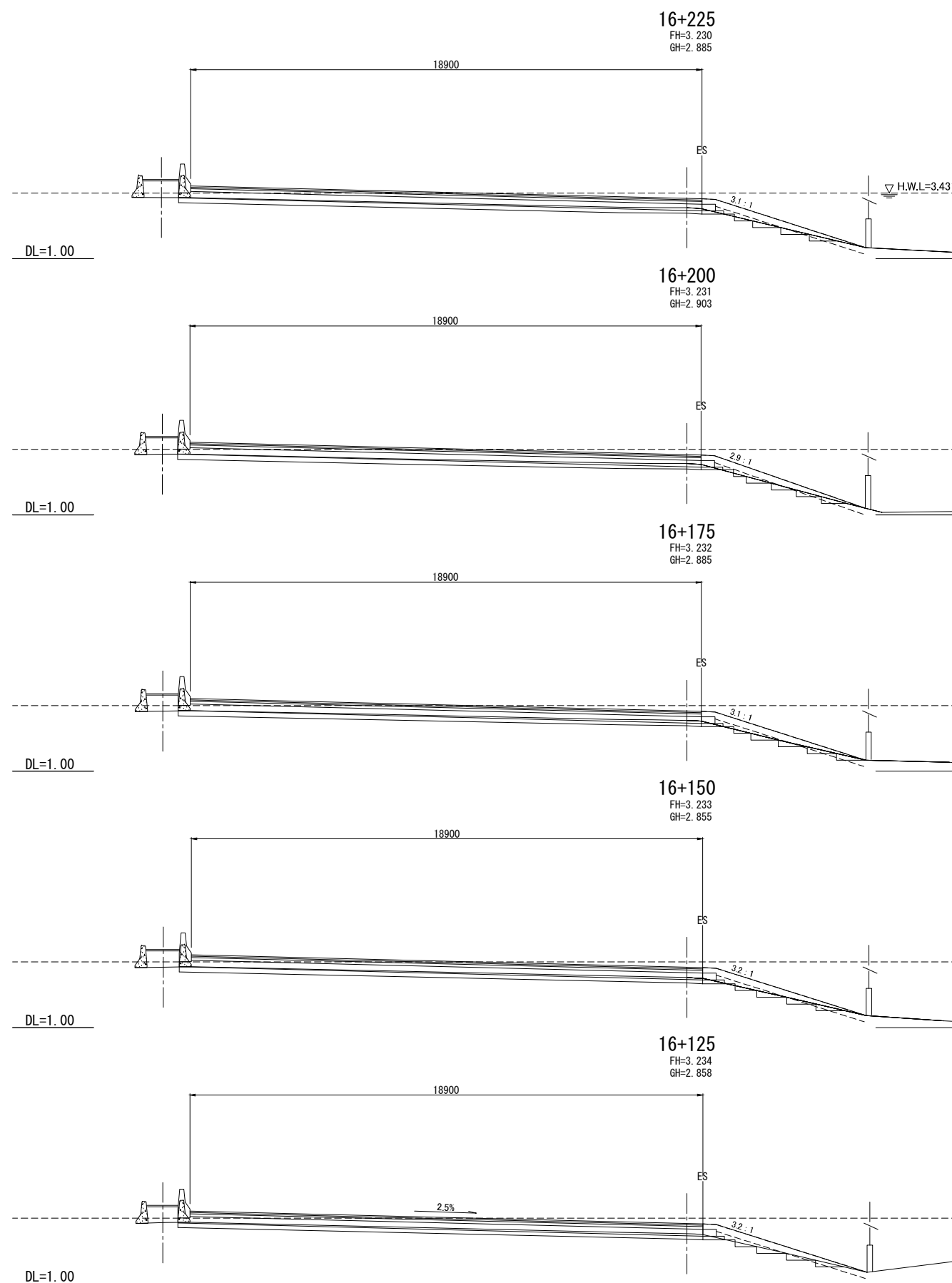
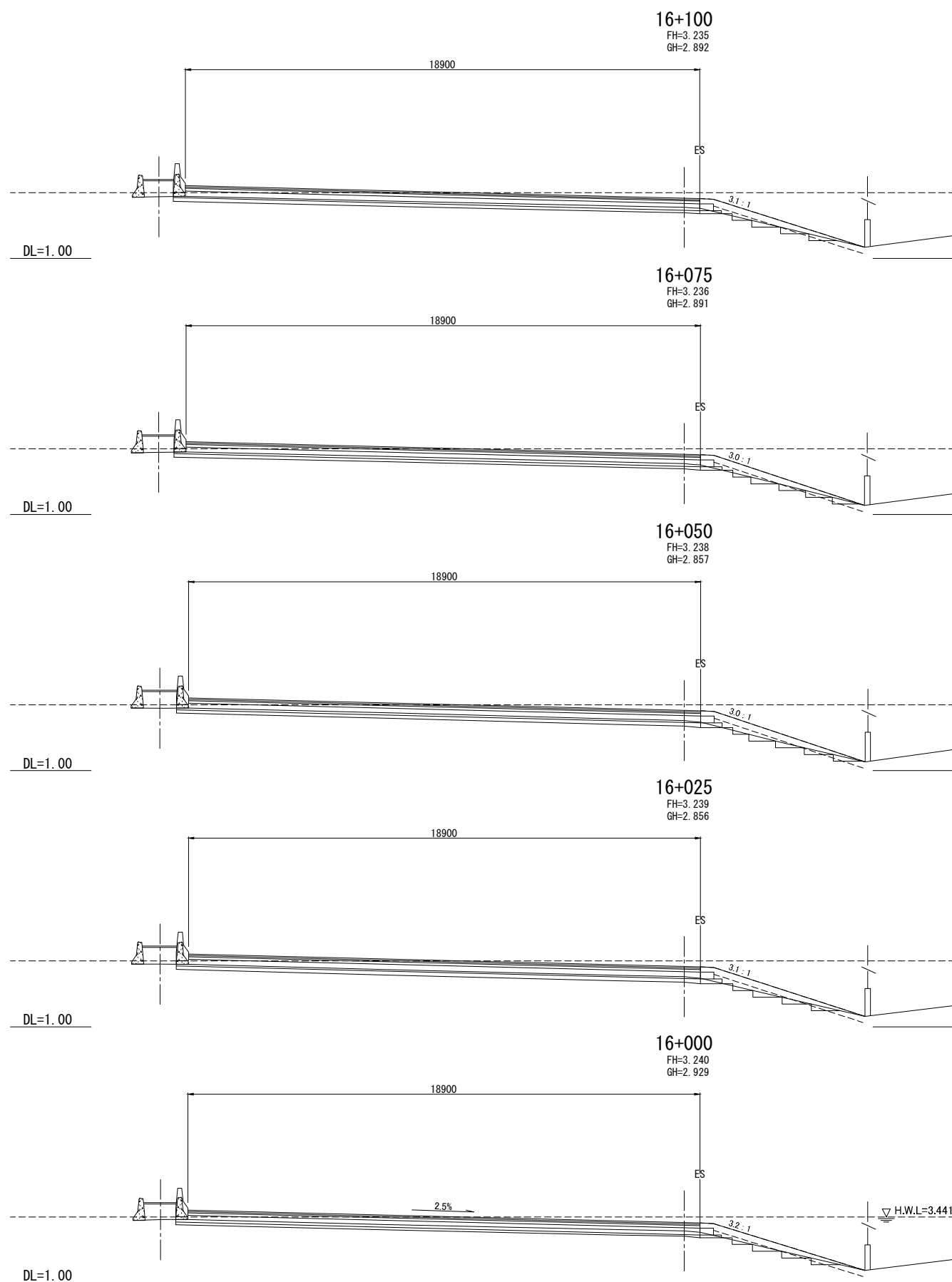
SHEET NO.
79



REV. NO.	DESCRIPTION	ENGINEER		DOH		REV. NO.	APPROVED BY	KINGDOM OF THAILAND MINISTRY OF TRANSPORT DEPARTMENT OF HIGHWAYS	HIGHWAY ROUTE NO. 9	OWNER The Inter-City Motorways Division Department of Highways Ministry of Transport	PROJECT TITLE The Preparatory Survey on the Rehabilitation Project of the Outer Bangkok Ring Road	DESIGNED BY SAGARA Hidetaka ROAD ENGINEER	CHECKED BY WATANABE Ryohei CHIEF ENGINEER	DATE:	SCALE:
		CHECKED	DATE	CHECKED	DATE									AUGUST 2012	SCALE 1:100
														DWG. NO. MW-75	SHEET NO. 80

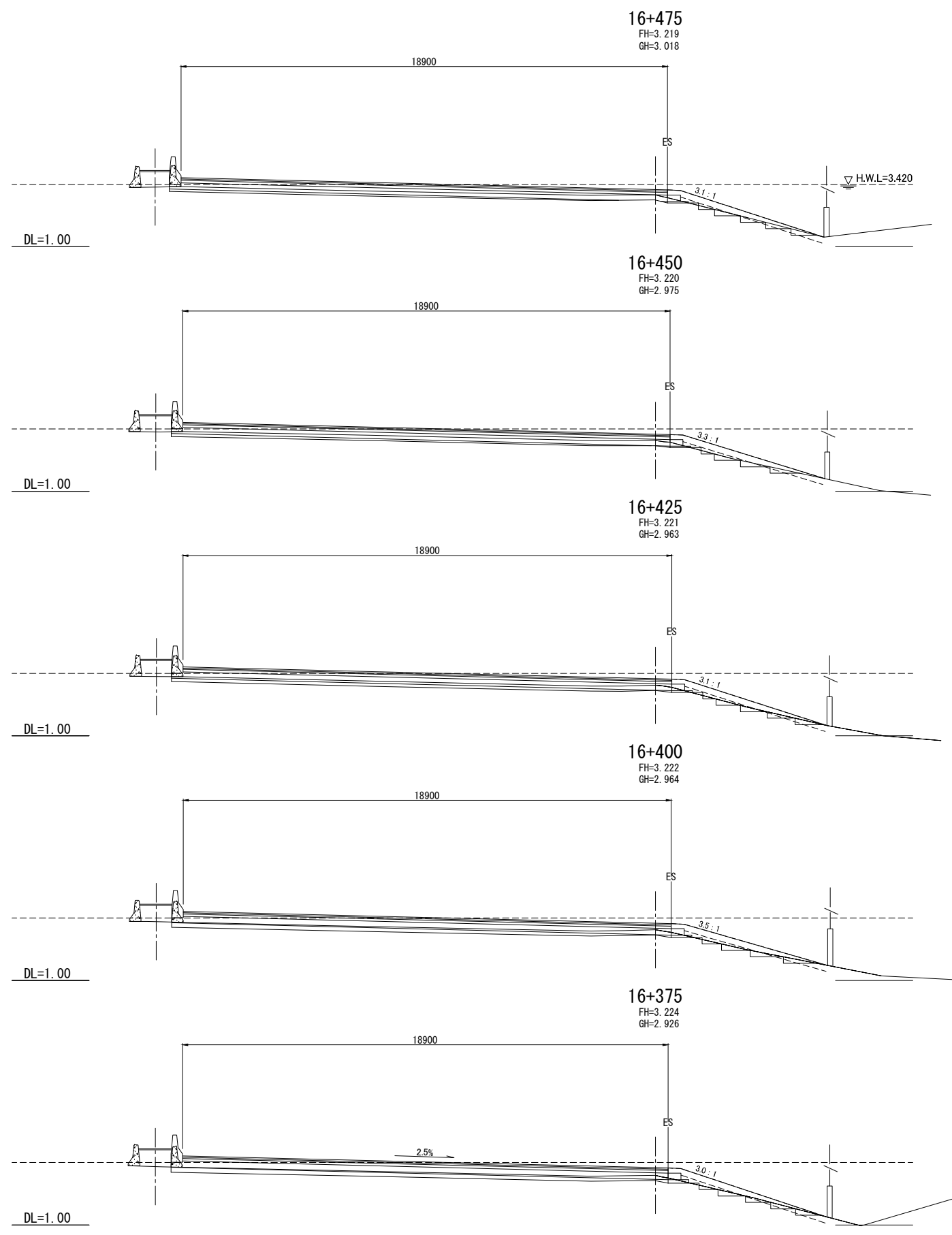
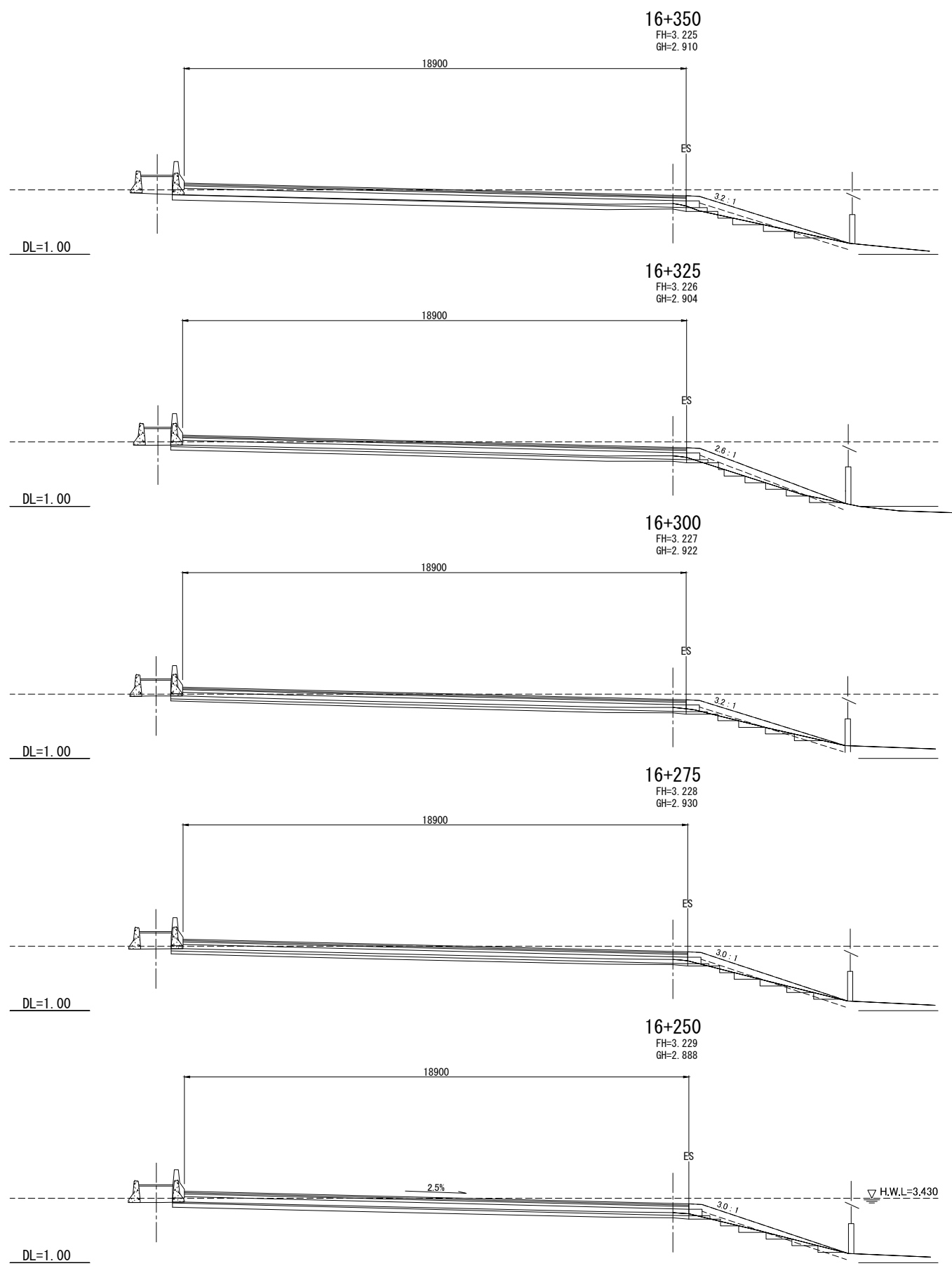


CTI ENGINEERING INTERNATIONAL CO., LTD.
ORIENTAL CONSULTANTS CO., LTD.
NIPPON KOEI CO., LTD.
CTI ENGINEERING CO., LTD.

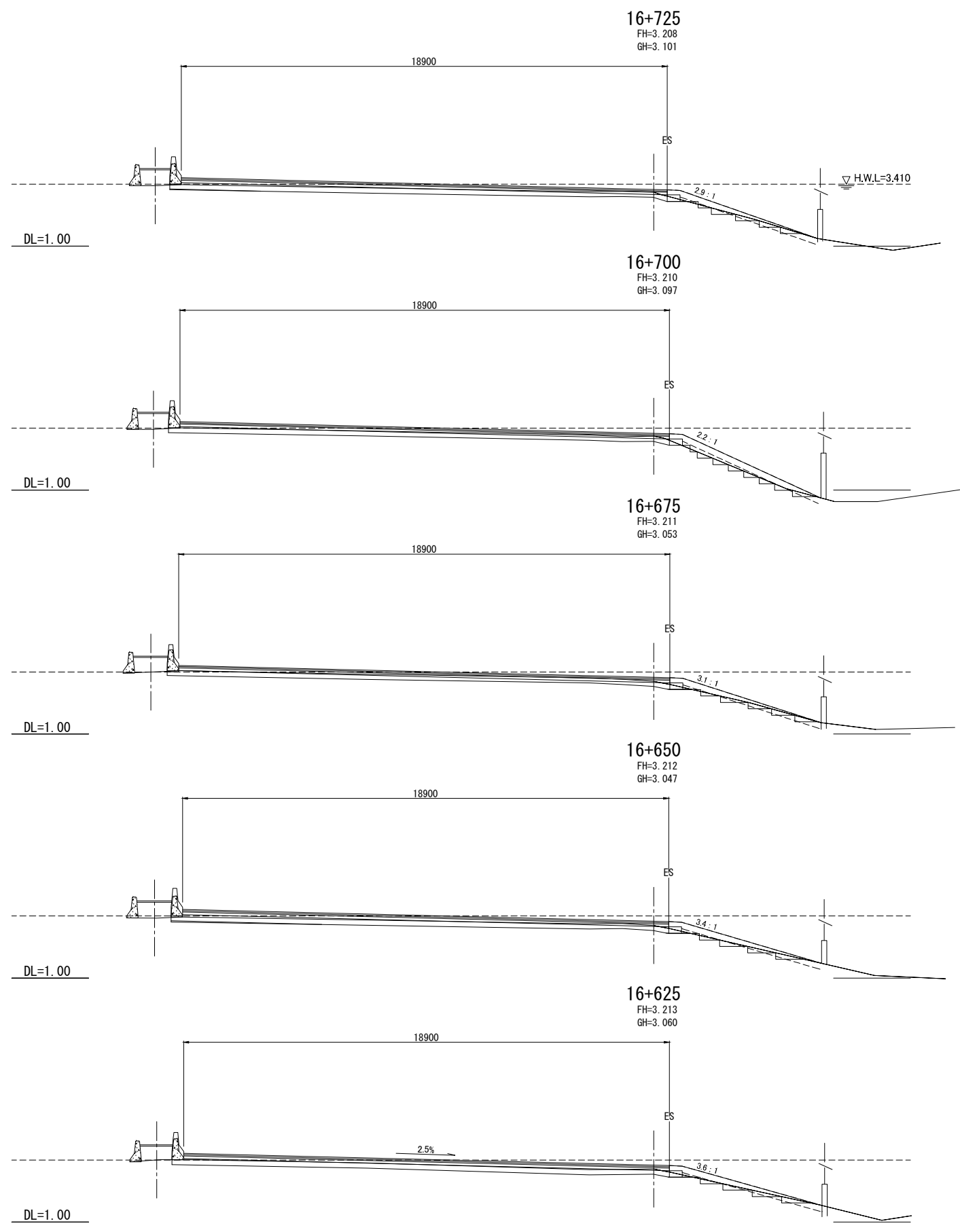
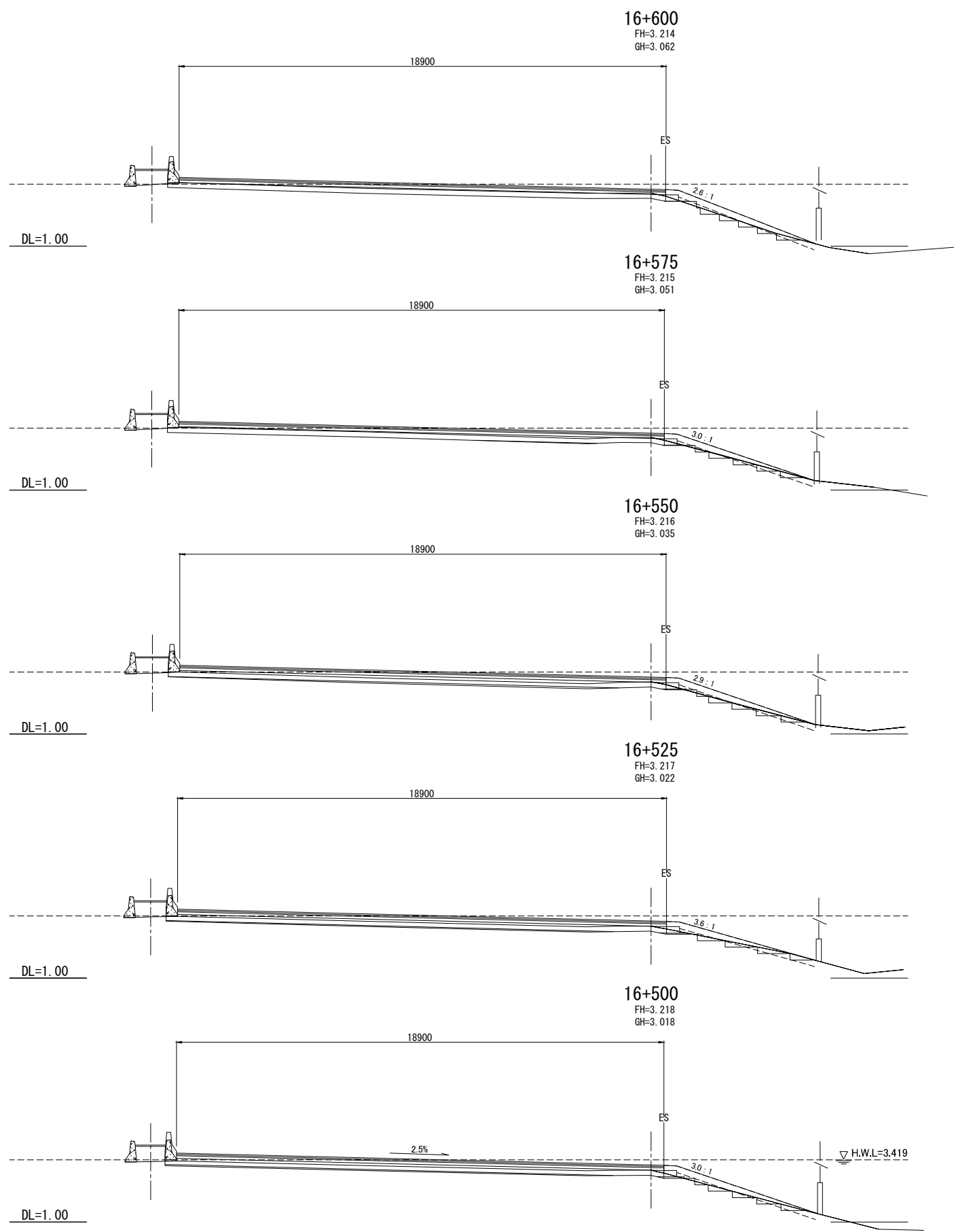


REV. NO.	DESCRIPTION	ENGINEER		DOH		REV. NO.	APPROVED BY	KINGDOM OF THAILAND MINISTRY OF TRANSPORT DEPARTMENT OF HIGHWAYS	HIGHWAY ROUTE NO. 9	OWNER The Inter-City Motorways Division Department of Highways Ministry of Transport	PROJECT TITLE The Preparatory Survey on the Rehabilitation Project of the Outer Bangkok Ring Road	DESIGNED BY SAGARA Hidetaka ROAD ENGINEER	CHECKED BY WATANABE Ryohei CHIEF ENGINEER	DATE:	SCALE:
		CHECKED	DATE	CHECKED	DATE									AUGUST 2012	SCALE 1:100
														DWG. NO. MW-76	SHEET NO. 81

CTI ENGINEERING INTERNATIONAL CO., LTD.
ORIENTAL CONSULTANTS CO., LTD.
NIPPON KOEI CO., LTD.
CTI ENGINEERING CO., LTD.

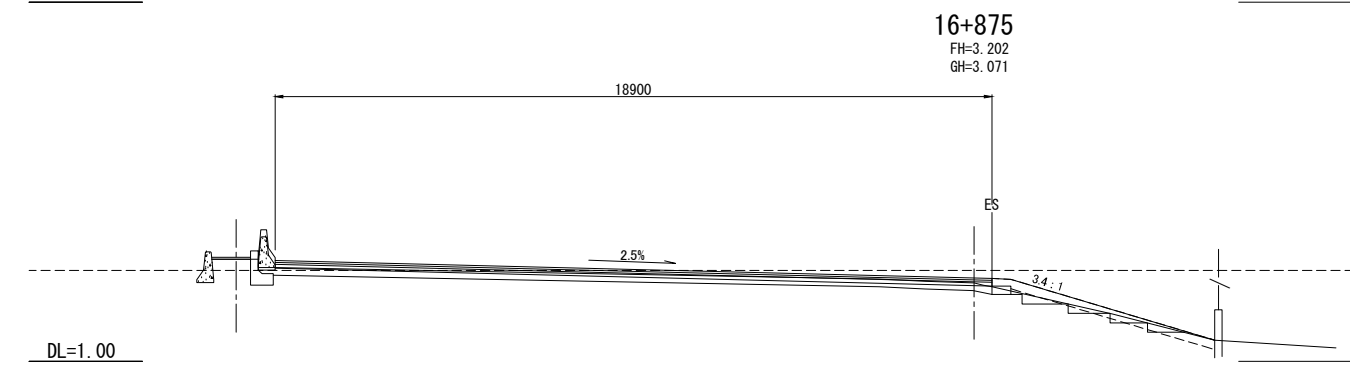
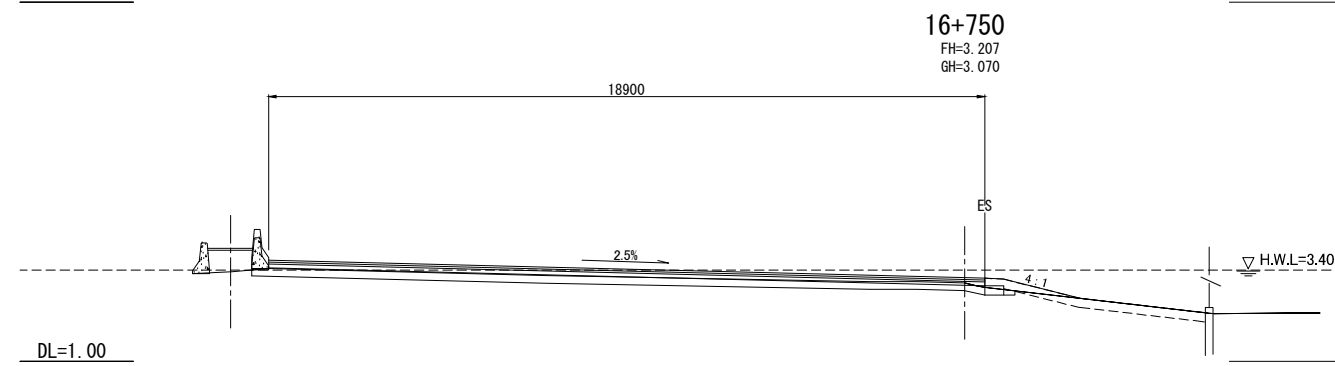
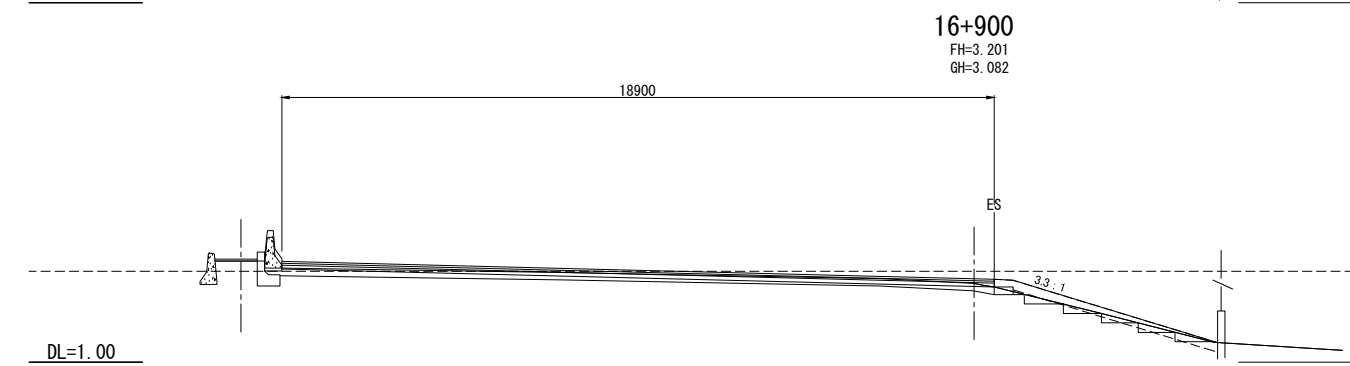
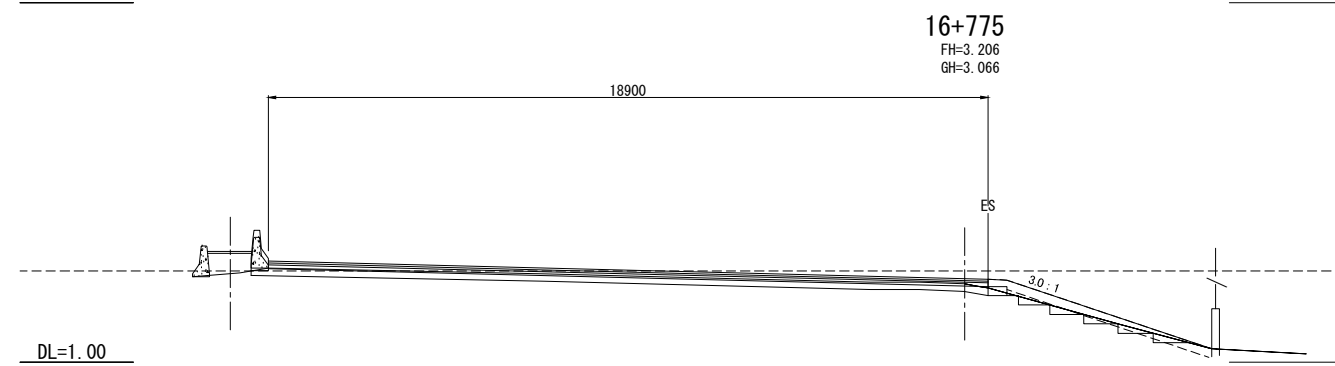
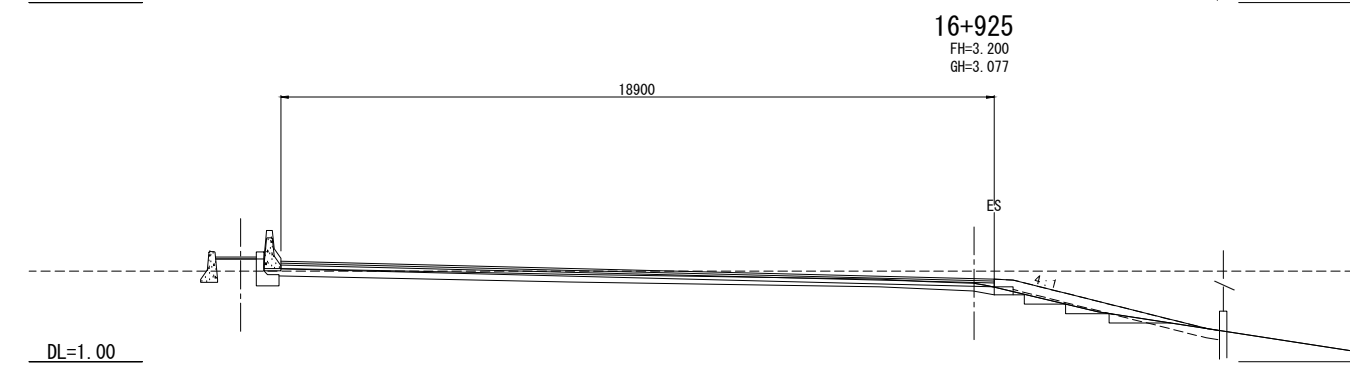
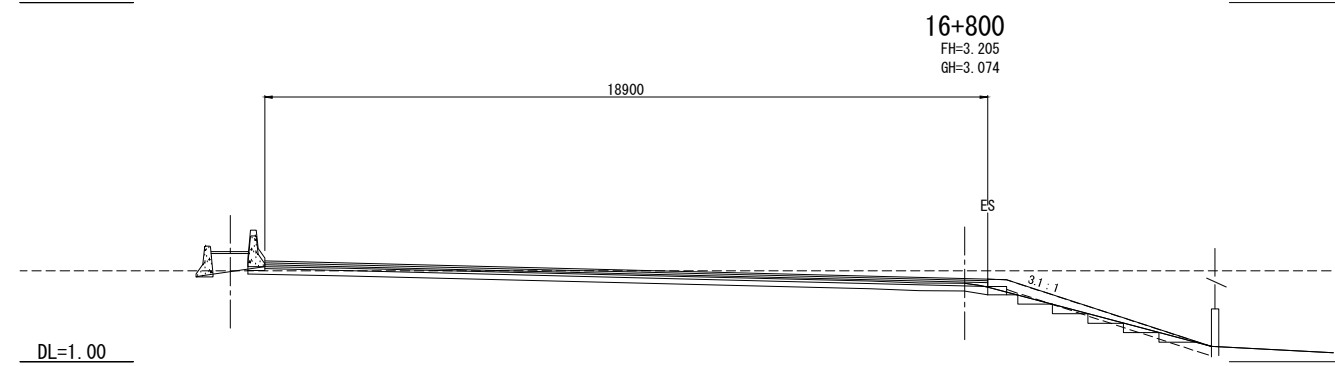
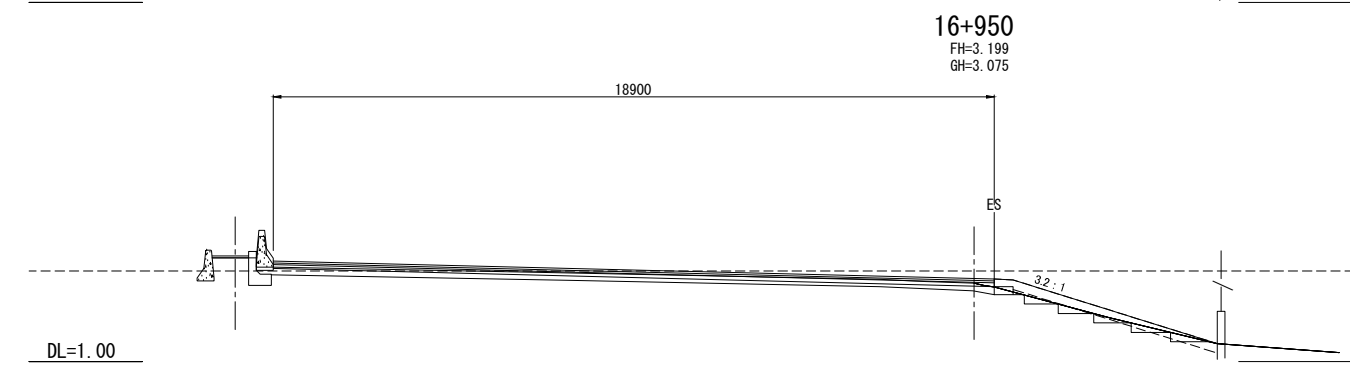
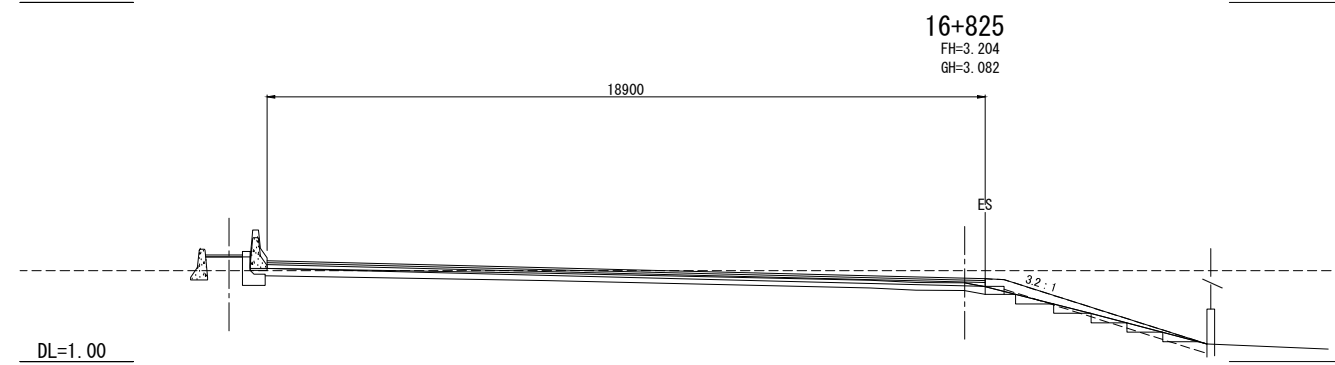
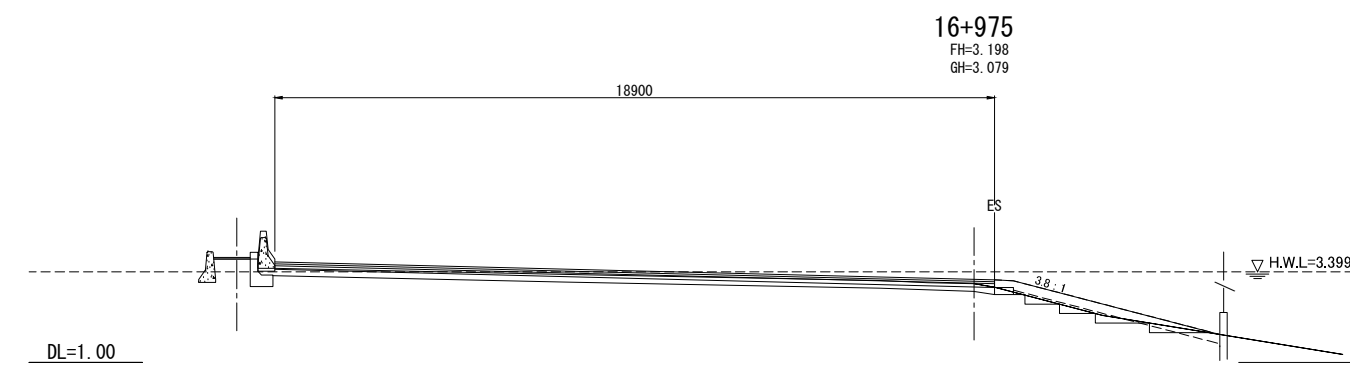
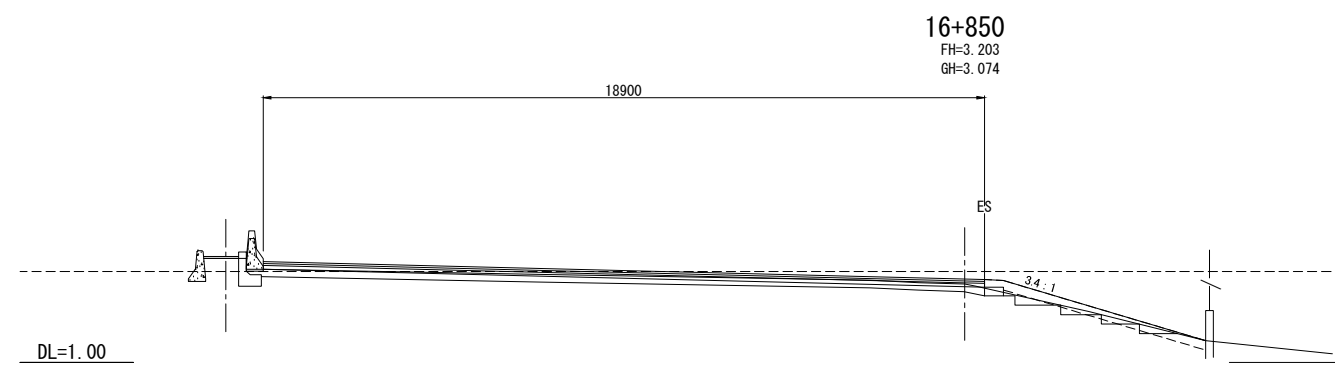


REV. NO.	DESCRIPTION	ENGINEER		DOH		REV. NO.	APPROVED BY	KINGDOM OF THAILAND MINISTRY OF TRANSPORT DEPARTMENT OF HIGHWAYS	HIGHWAY ROUTE NO. 9	OWNER The Inter-City Motorways Division Department of Highways Ministry of Transport	PROJECT TITLE The Preparatory Survey on the Rehabilitation Project of the Outer Bangkok Ring Road	DESIGNED BY SAGARA Hidetaka ROAD ENGINEER	CHECKED BY WATANABE Ryohei CHIEF ENGINEER	DATE:	SCALE:
		CHECKED	DATE	CHECKED	DATE									AUGUST 2012	SCALE 1:100
														DWG. NO. MW-77	SHEET NO. 82

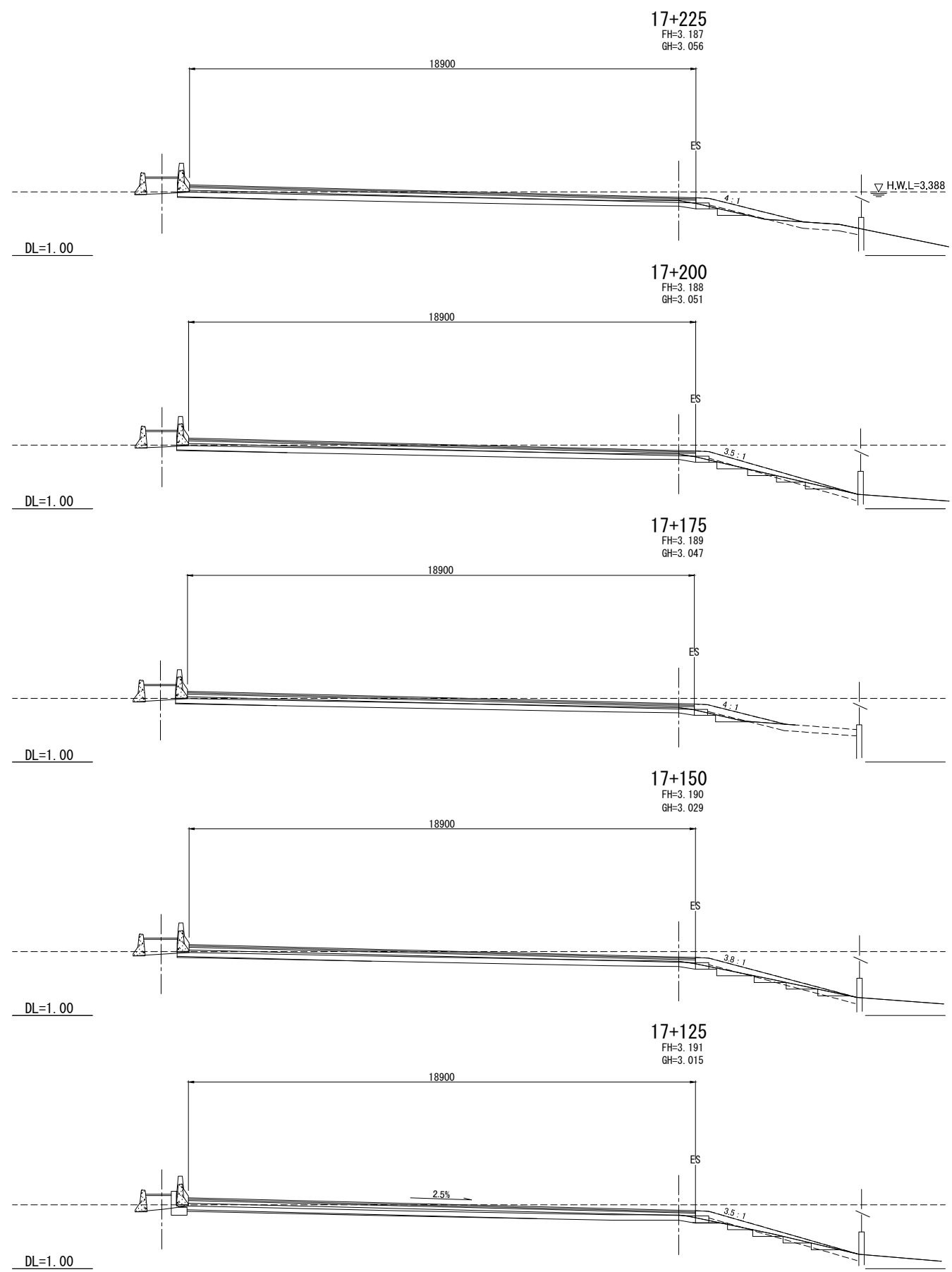
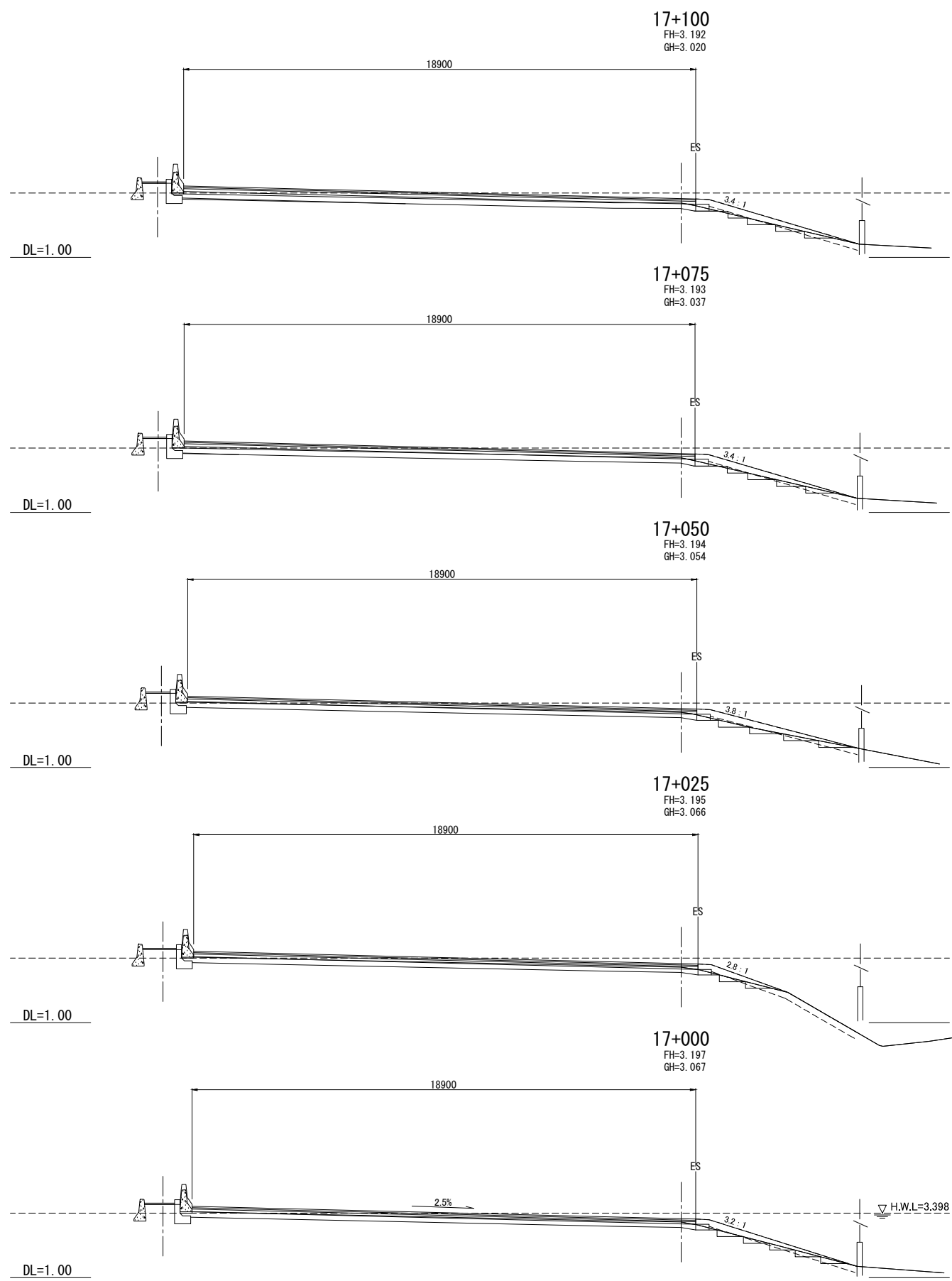


REV. NO.	DESCRIPTION	ENGINEER		DOH		REV. NO.	APPROVED BY	KINGDOM OF THAILAND MINISTRY OF TRANSPORT DEPARTMENT OF HIGHWAYS	HIGHWAY ROUTE NO. 9	OWNER The Inter-City Motorways Division Department of Highways Ministry of Transport	PROJECT TITLE The Preparatory Survey on the Rehabilitation Project of the Outer Bangkok Ring Road	DESIGNED BY SAGARA Hidetaka ROAD ENGINEER	CHECKED BY WATANABE Ryohei CHIEF ENGINEER	DATE :	SCALE :
		CHECKED	DATE	CHECKED	DATE									AUGUST 2012	SCALE 1:100
														DWG. NO. MW-78	SHEET NO. 83

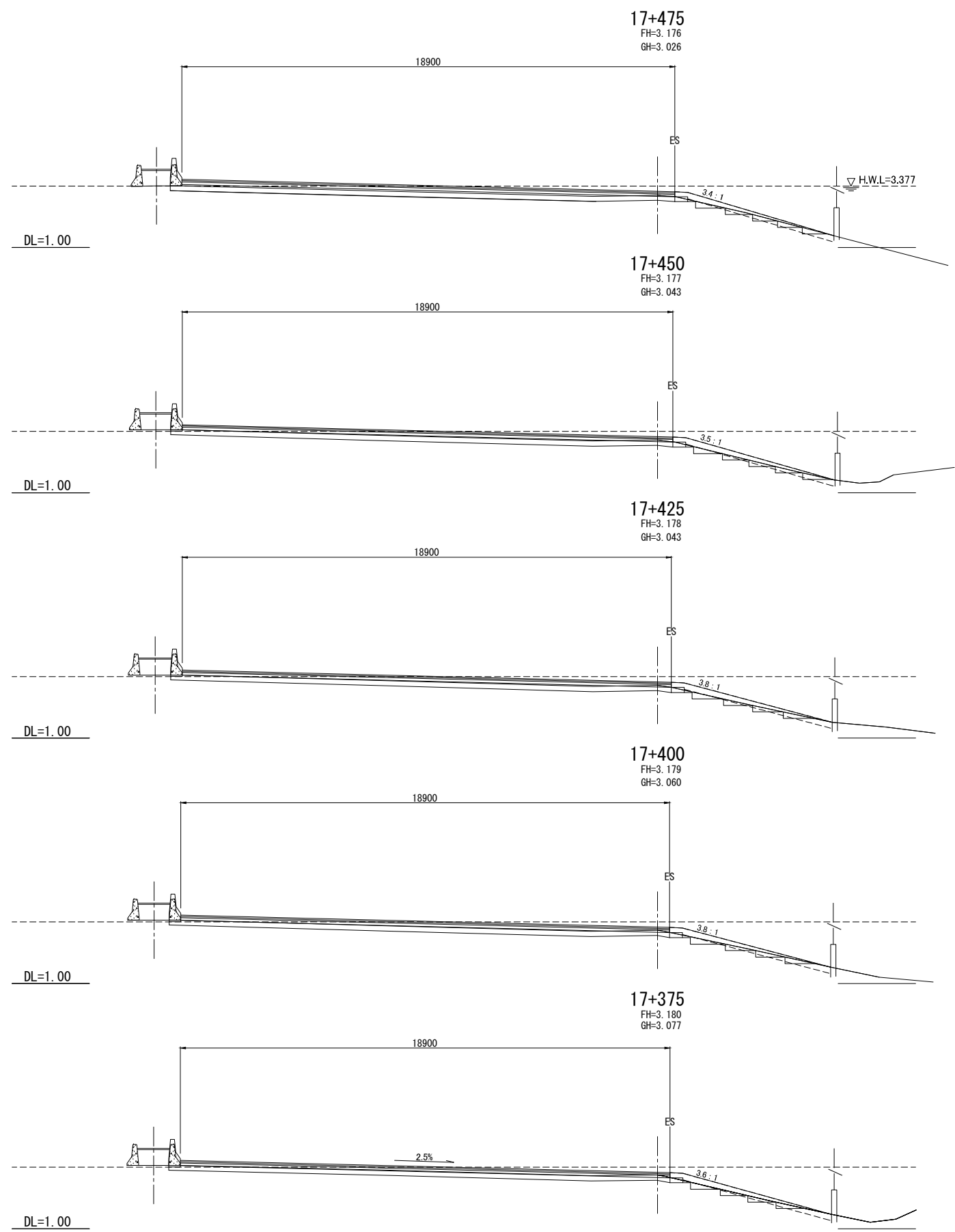
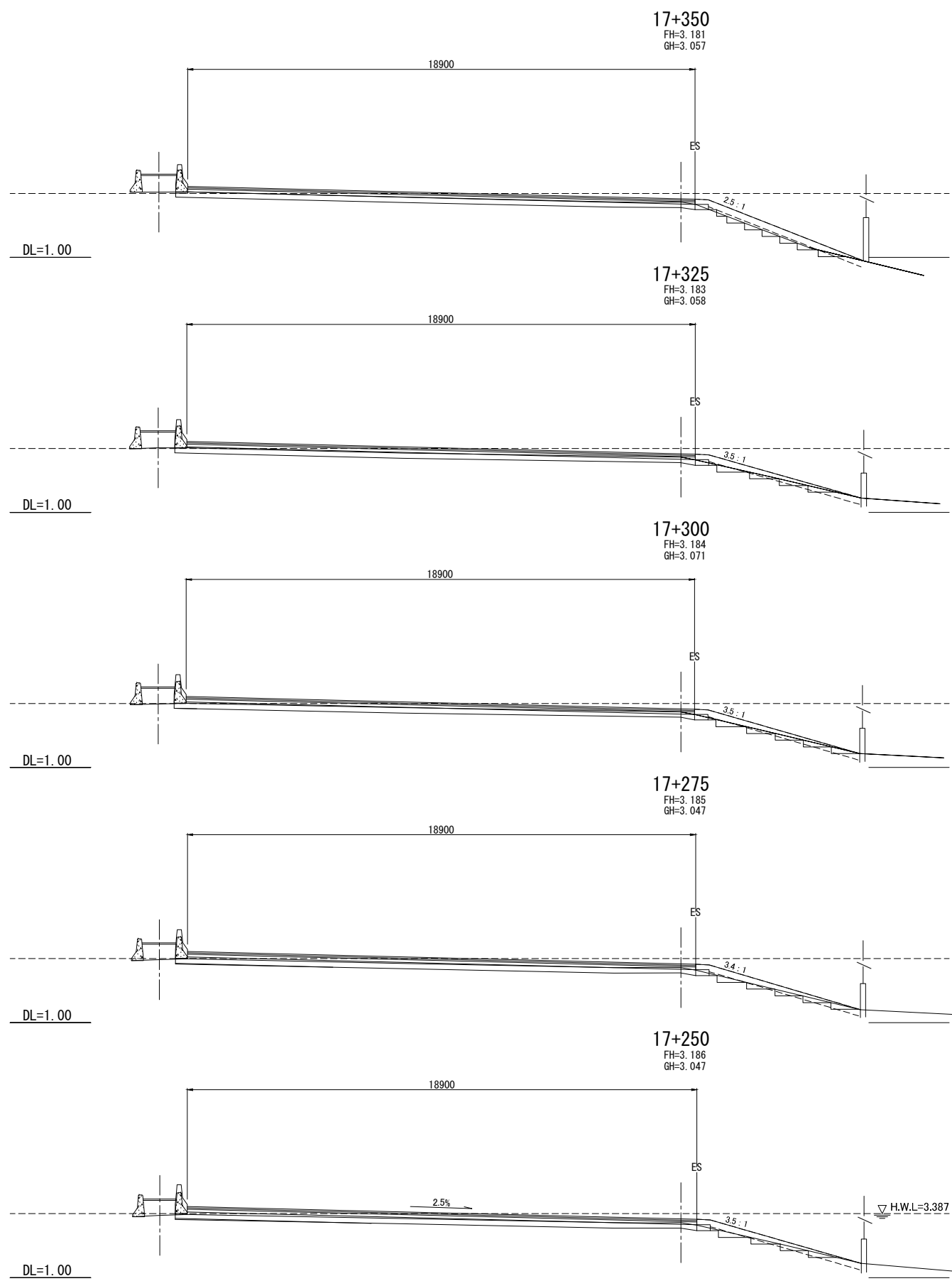
CTI ENGINEERING INTERNATIONAL CO., LTD.
ORIENTAL CONSULTANTS CO., LTD.
NIPPON KOEI CO., LTD.
CTI ENGINEERING CO., LTD.



REV. NO.	DESCRIPTION	ENGINEER		DOH		REV. NO.	APPROVED BY	KINGDOM OF THAILAND MINISTRY OF TRANSPORT DEPARTMENT OF HIGHWAYS	HIGHWAY ROUTE NO. 9	OWNER The Inter-City Motorways Division Department of Highways Ministry of Transport	PROJECT TITLE The Preparatory Survey on the Rehabilitation Project of the Outer Bangkok Ring Road	DESIGNED BY SAGARA Hidetaka ROAD ENGINEER	CHECKED BY WATANABE Ryohei CHIEF ENGINEER	DATE:	SCALE:
		CHECKED	DATE	CHECKED	DATE									AUGUST 2012	SCALE 1:100
														DWG. NO. MW-79	SHEET NO. 84

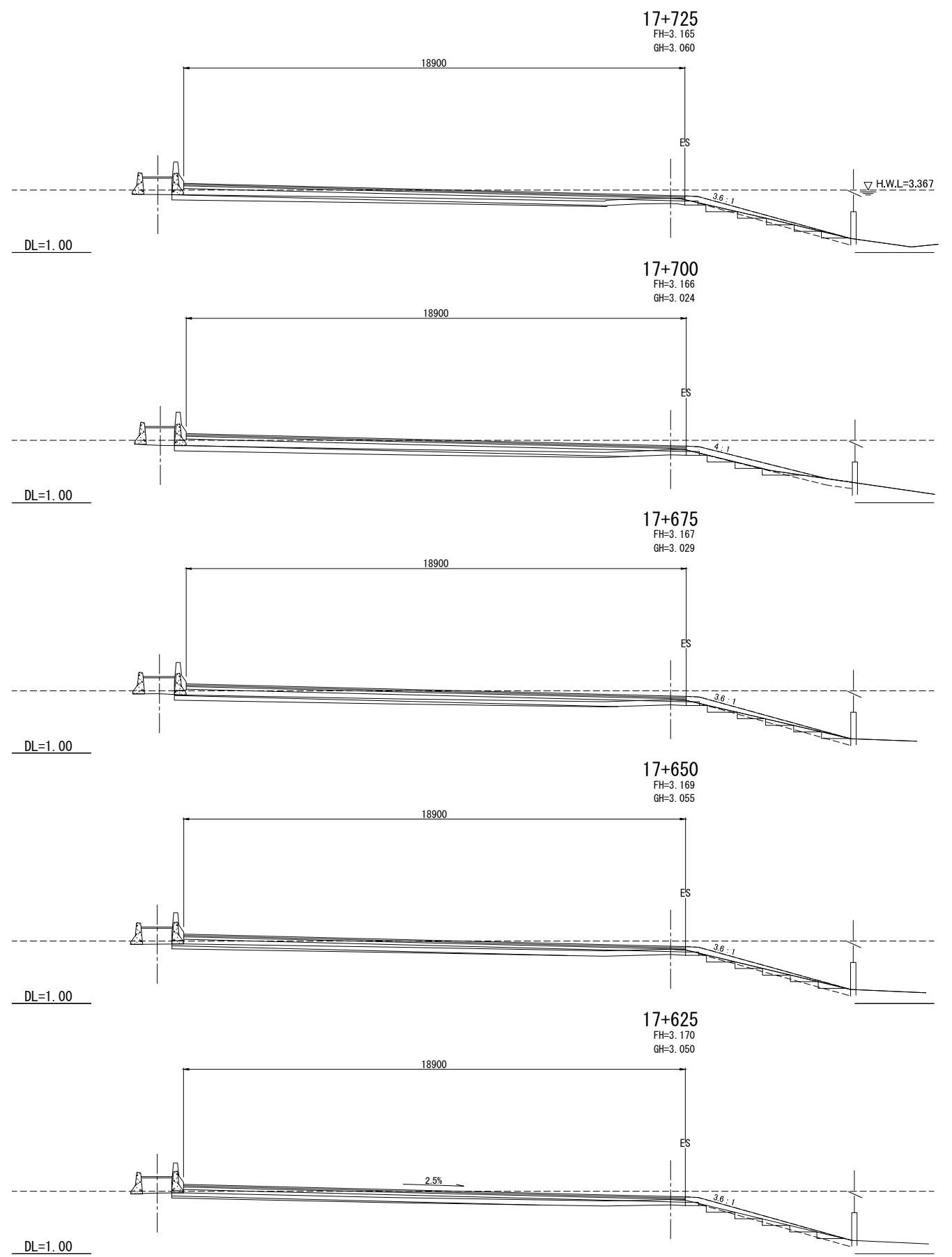
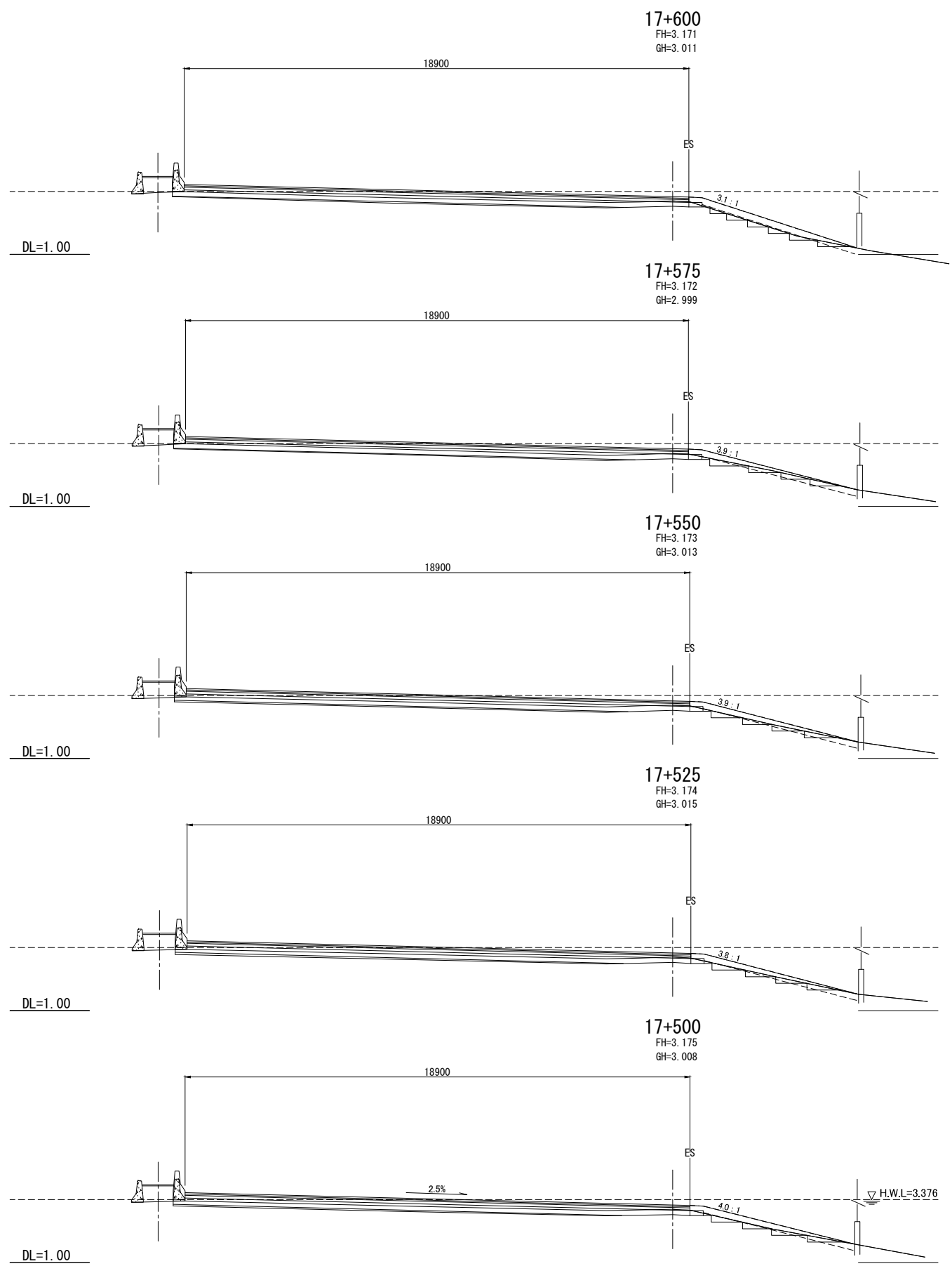


REV. NO.	DESCRIPTION	ENGINEER		DOH		REV. NO.	APPROVED BY	KINGDOM OF THAILAND MINISTRY OF TRANSPORT DEPARTMENT OF HIGHWAYS	HIGHWAY ROUTE NO. 9	OWNER The Inter-City Motorways Division Department of Highways Ministry of Transport	PROJECT TITLE The Preparatory Survey on the Rehabilitation Project of the Outer Bangkok Ring Road	DESIGNED BY SAGARA Hidetaka ROAD ENGINEER	CHECKED BY WATANABE Ryohei CHIEF ENGINEER	DATE	SCALE
		CHECKED	DATE	CHECKED	DATE									AUGUST 2012	SCALE 1:100
														DWG. NO. MW-80	SHEET NO. 85



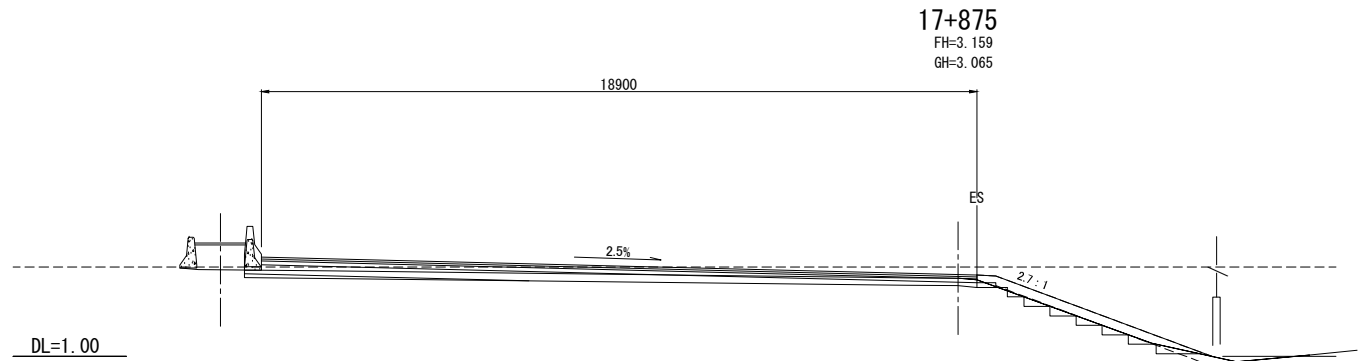
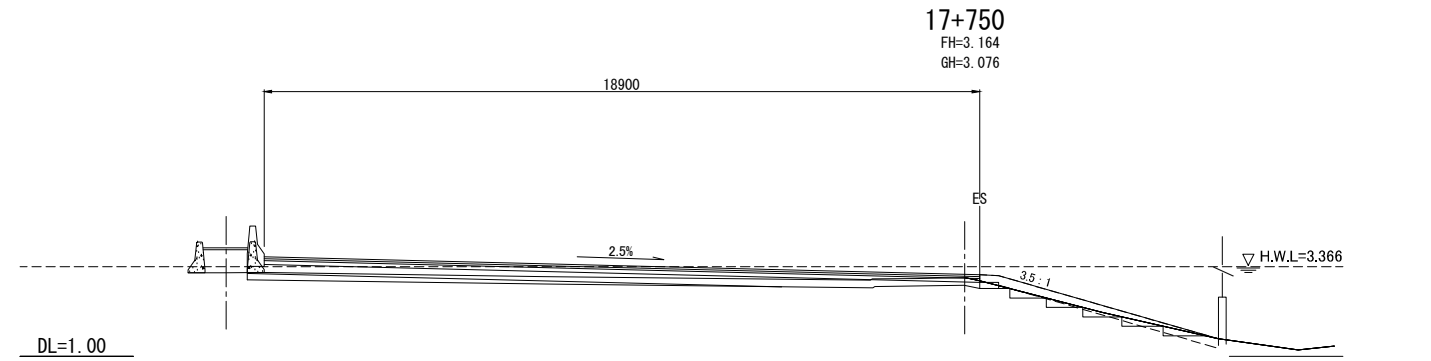
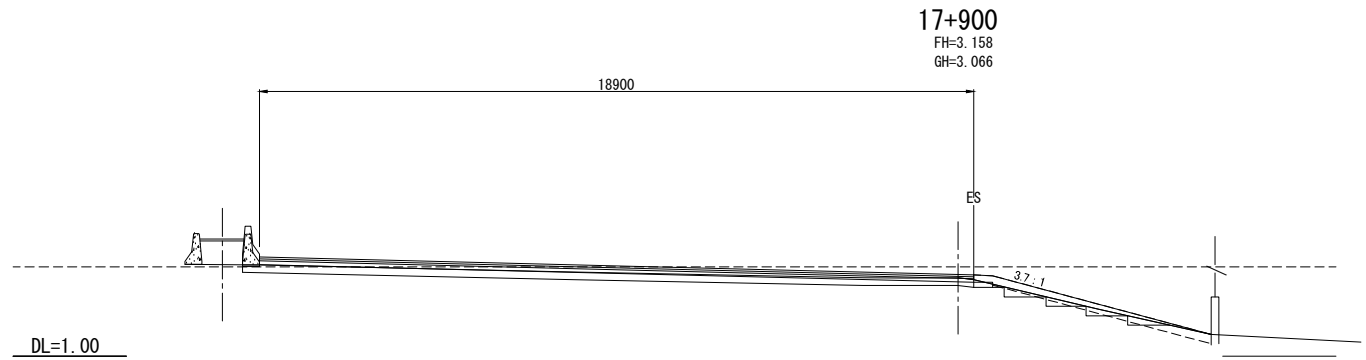
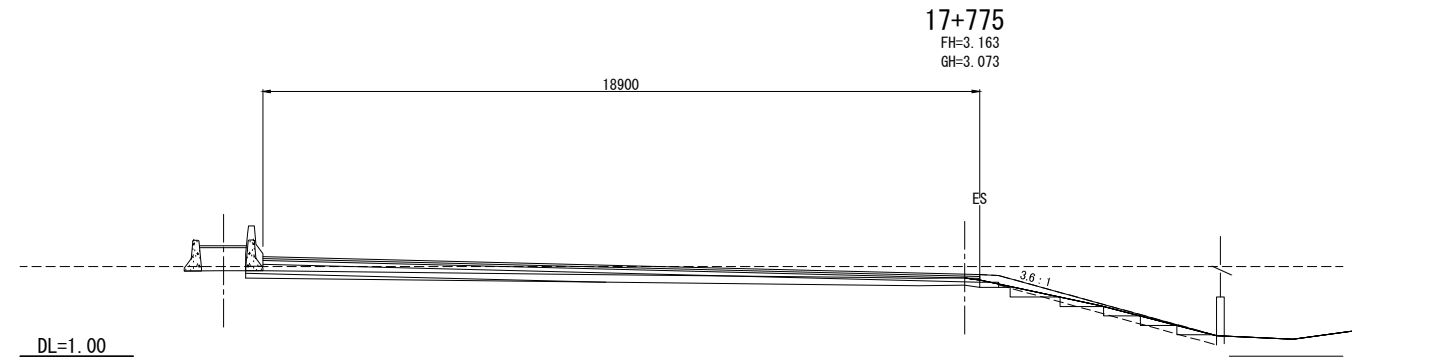
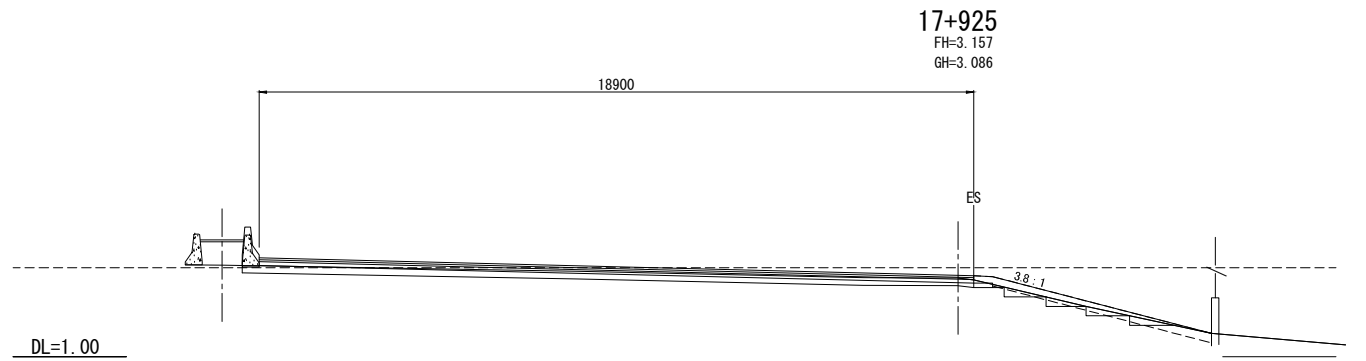
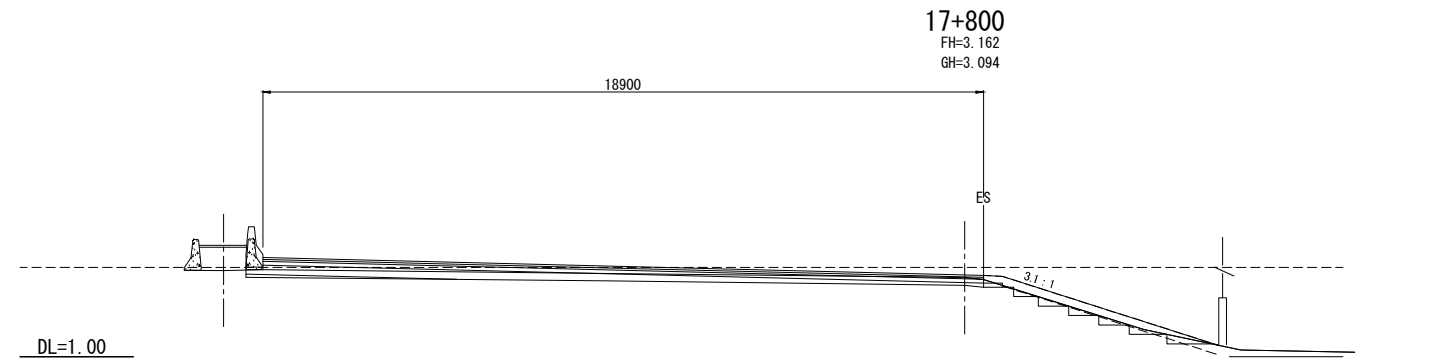
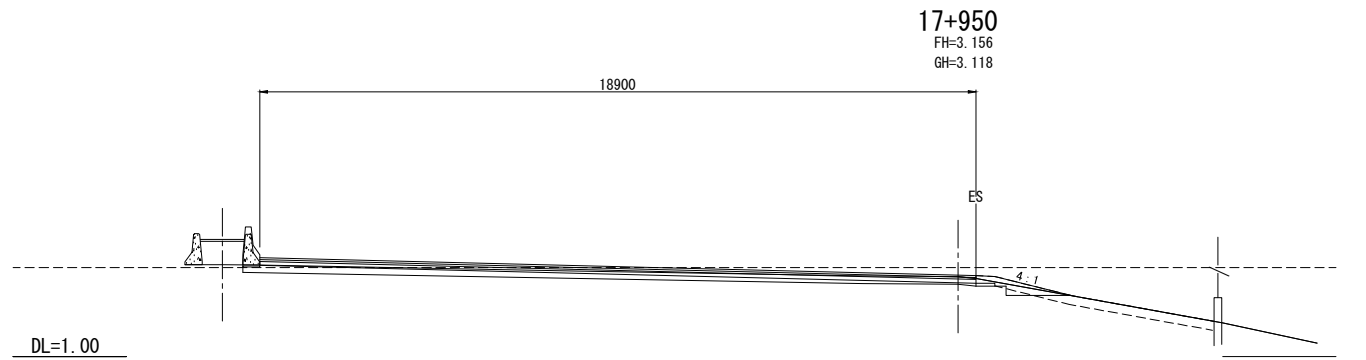
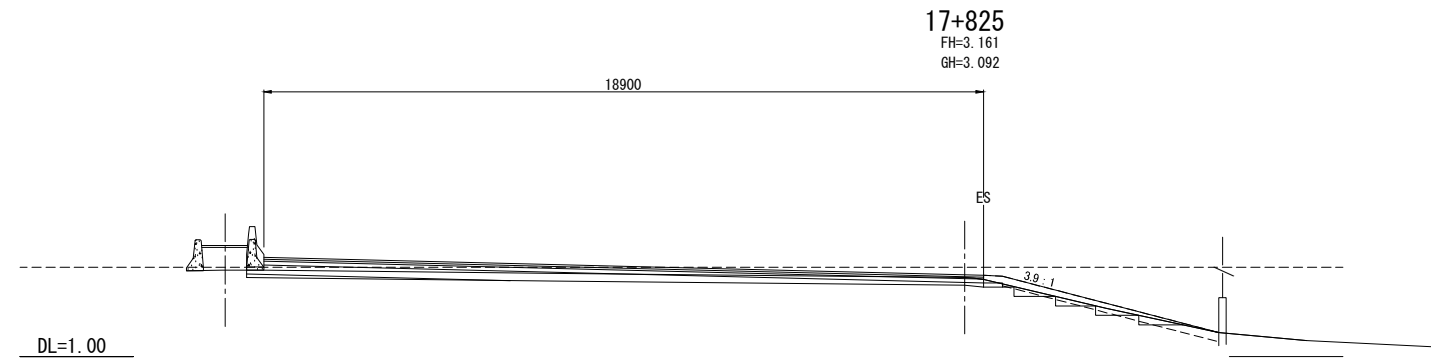
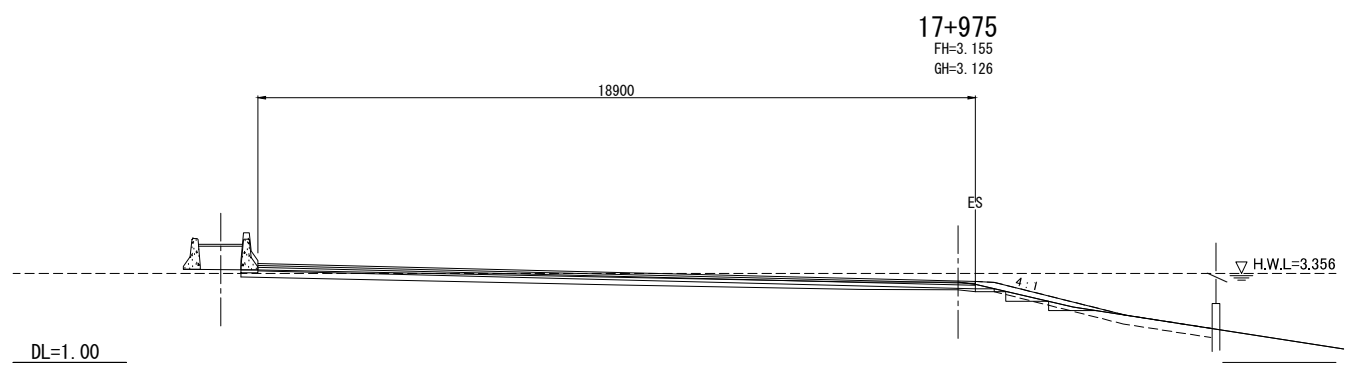
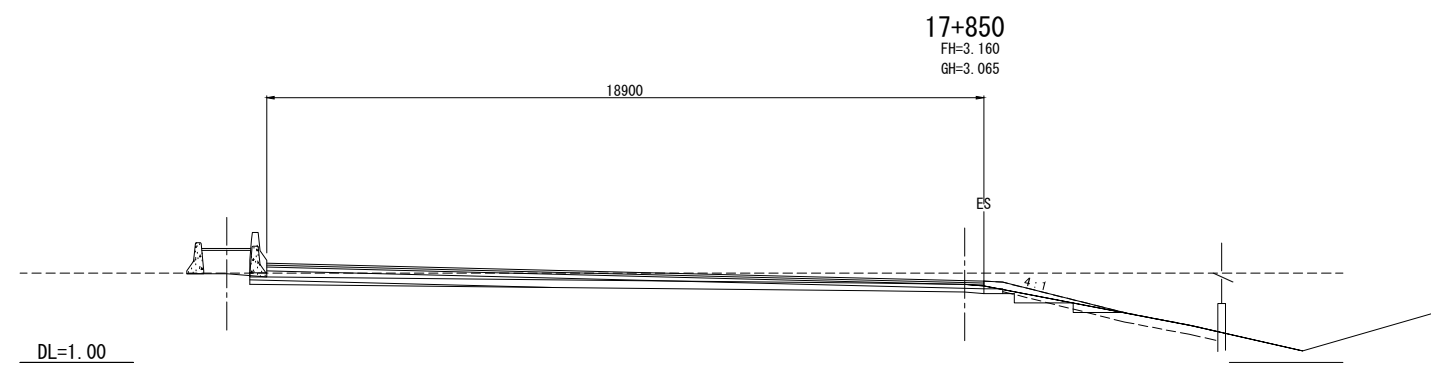
REV. NO.	DESCRIPTION	ENGINEER		DOH		REV. NO.	APPROVED BY	KINGDOM OF THAILAND MINISTRY OF TRANSPORT DEPARTMENT OF HIGHWAYS	HIGHWAY ROUTE NO. 9	OWNER The Inter-City Motorways Division Department of Highways Ministry of Transport	PROJECT TITLE The Preparatory Survey on the Rehabilitation Project of the Outer Bangkok Ring Road	DESIGNED BY SAGARA Hidetaka ROAD ENGINEER	CHECKED BY WATANABE Ryohei CHIEF ENGINEER	DATE:	SCALE:
		CHECKED	DATE	CHECKED	DATE									AUGUST 2012	SCALE 1:100
														DWG. NO. MW-81	SHEET NO. 86

CTI ENGINEERING INTERNATIONAL CO., LTD.
ORIENTAL CONSULTANTS CO., LTD.
NIPPON KOEI CO., LTD.
CTI ENGINEERING CO., LTD.



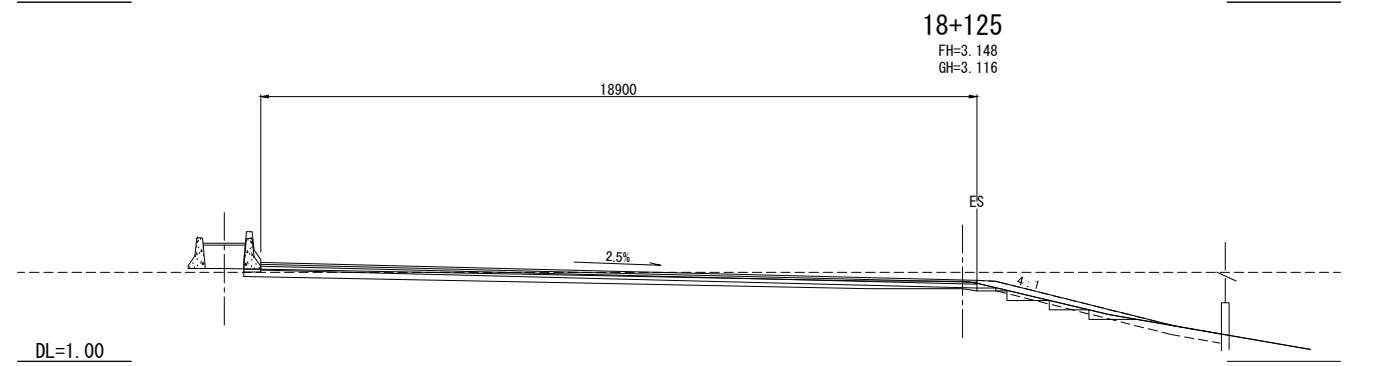
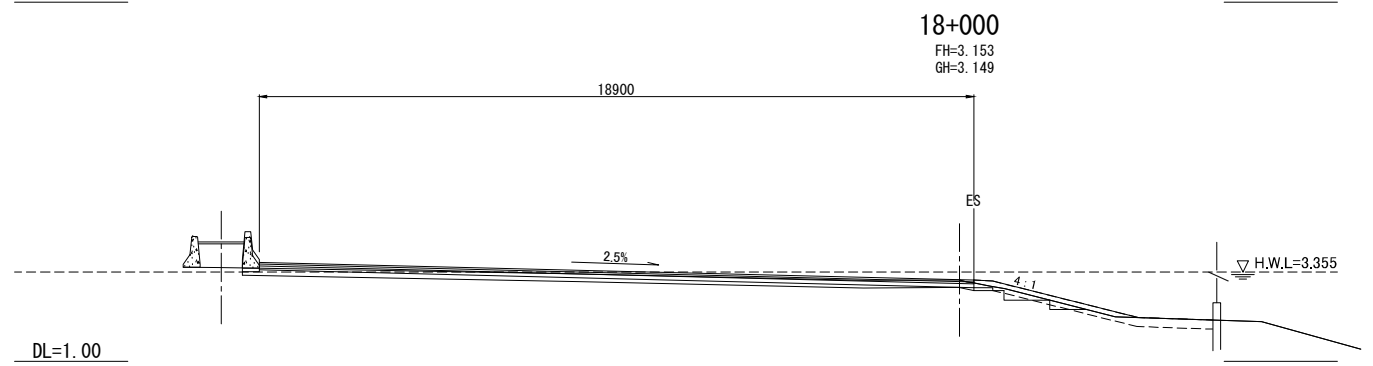
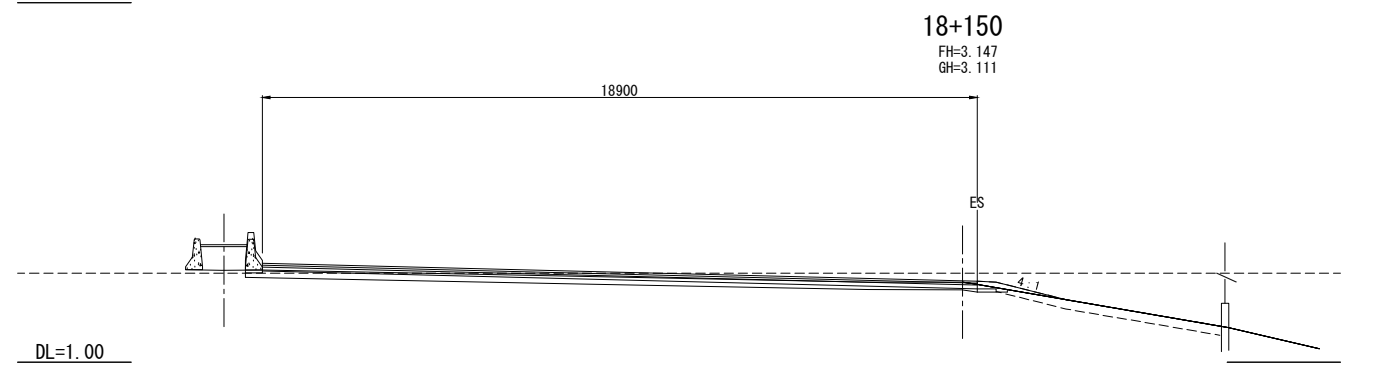
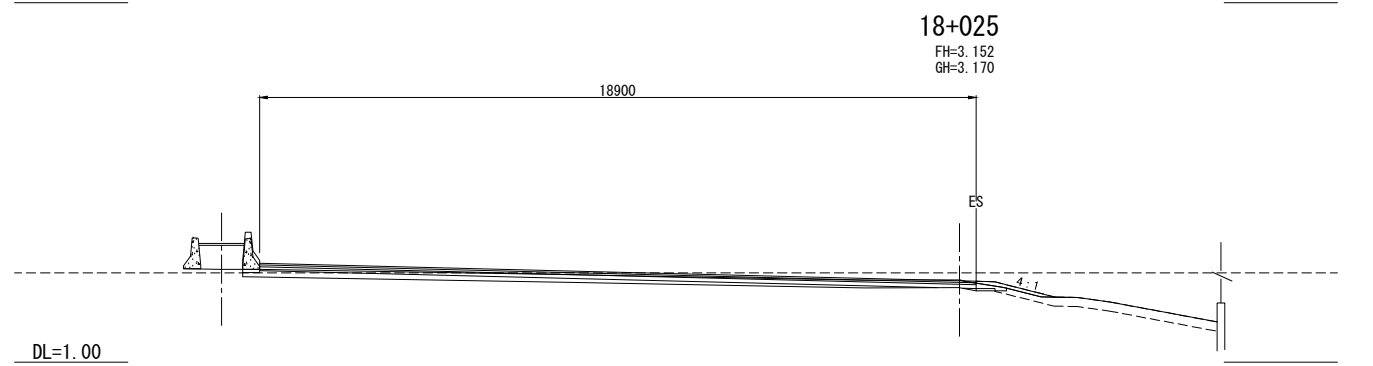
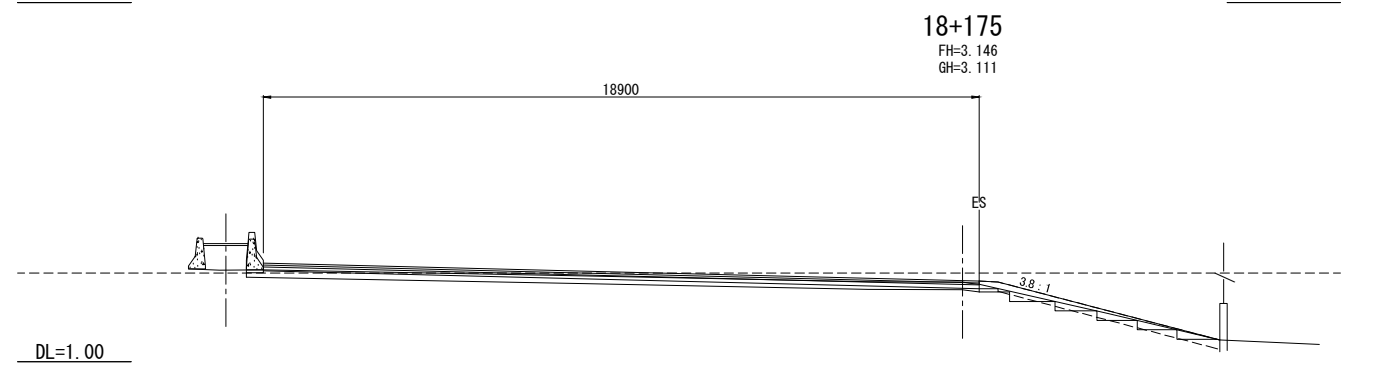
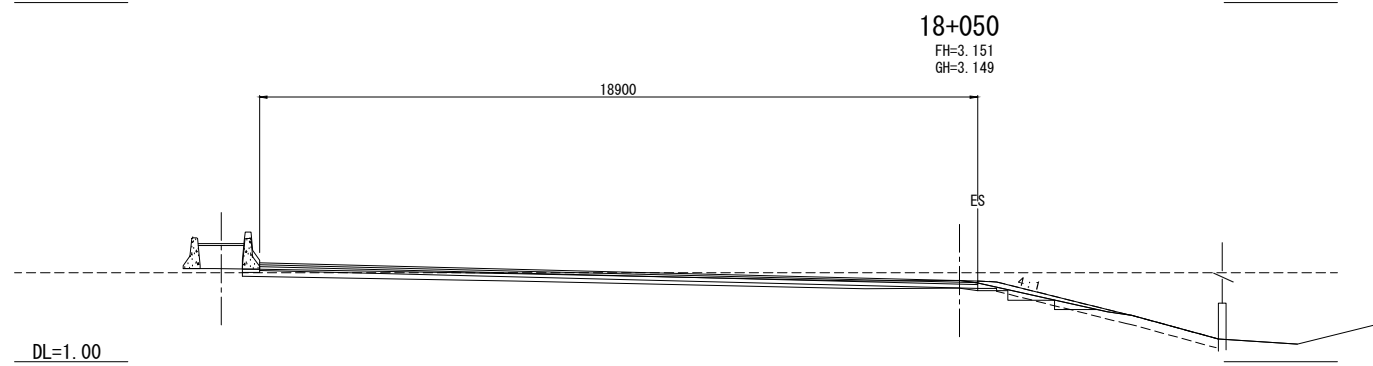
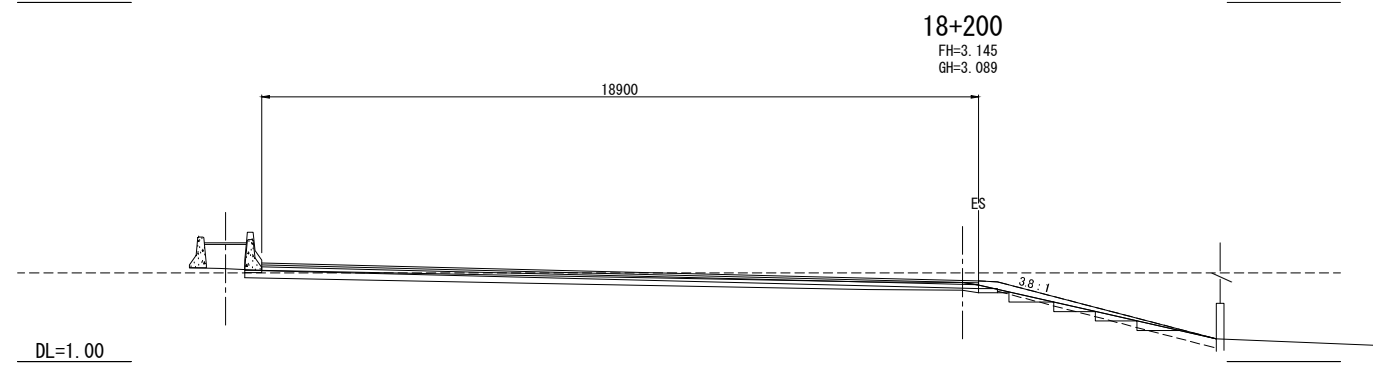
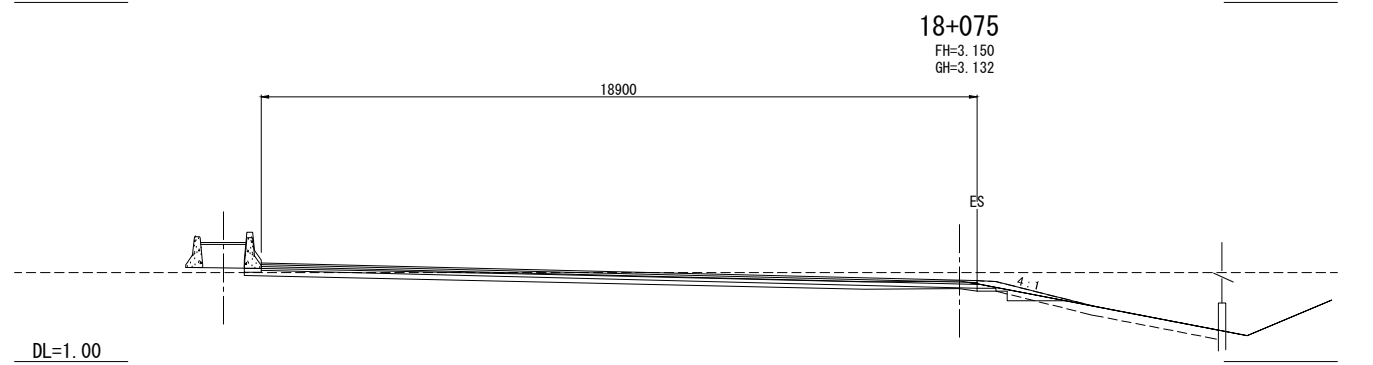
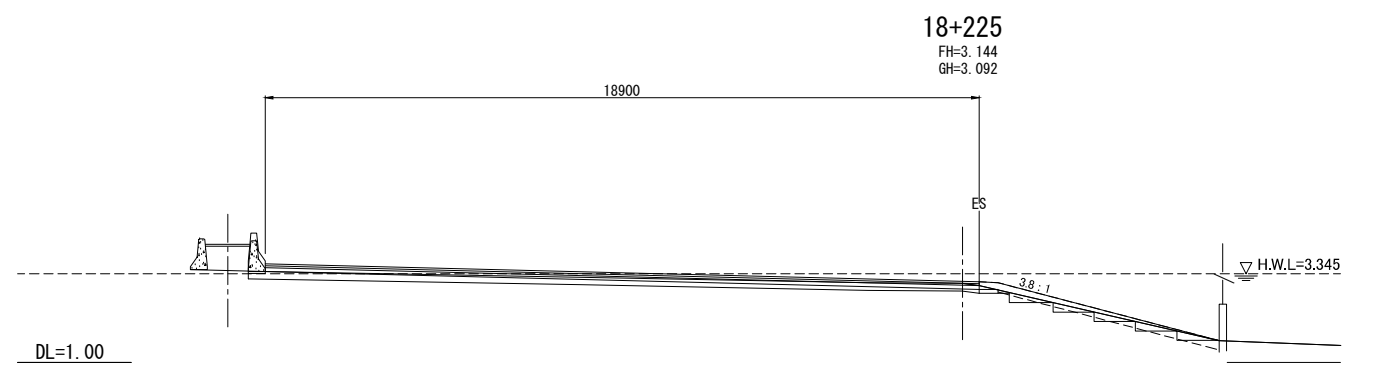
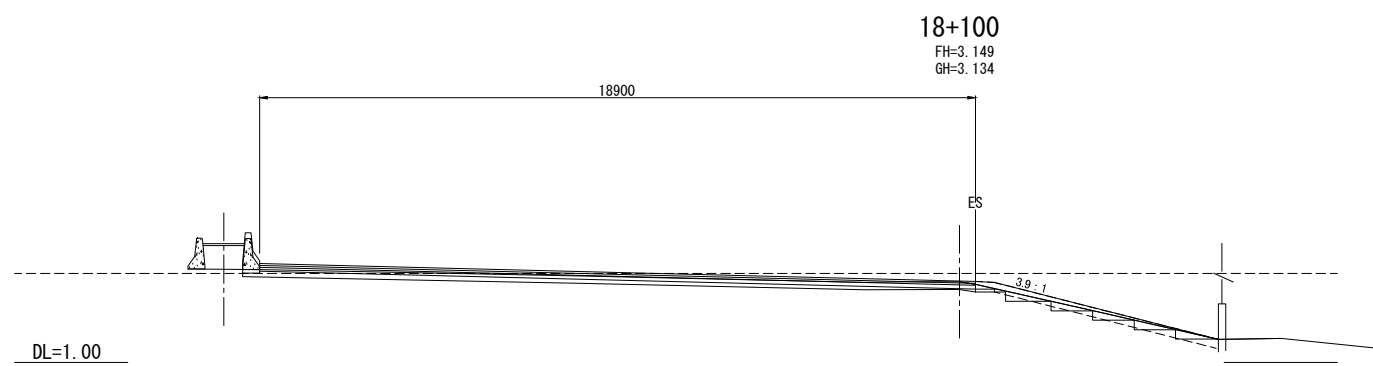
REV. NO.	DESCRIPTION	ENGINEER		DOH		REV. NO.	APPROVED BY	KINGDOM OF THAILAND MINISTRY OF TRANSPORT DEPARTMENT OF HIGHWAYS	HIGHWAY ROUTE NO. 9	OWNER The Inter-City Motorways Division Department of Highways Ministry of Transport	PROJECT TITLE The Preparatory Survey on the Rehabilitation Project of the Outer Bangkok Ring Road	DESIGNED BY SAGARA Hidetaka ROAD ENGINEER	CHECKED BY WATANABE Ryohei CHIEF ENGINEER	DATE:	SCALE:
		CHECKED	DATE	CHECKED	DATE									AUGUST 2012	SCALE 1:100
														DWG. NO. MW-82	SHEET NO. 87

CTI ENGINEERING INTERNATIONAL CO., LTD.
ORIENTAL CONSULTANTS CO., LTD.
NIPPON KOEI CO., LTD.
CTI ENGINEERING CO., LTD.

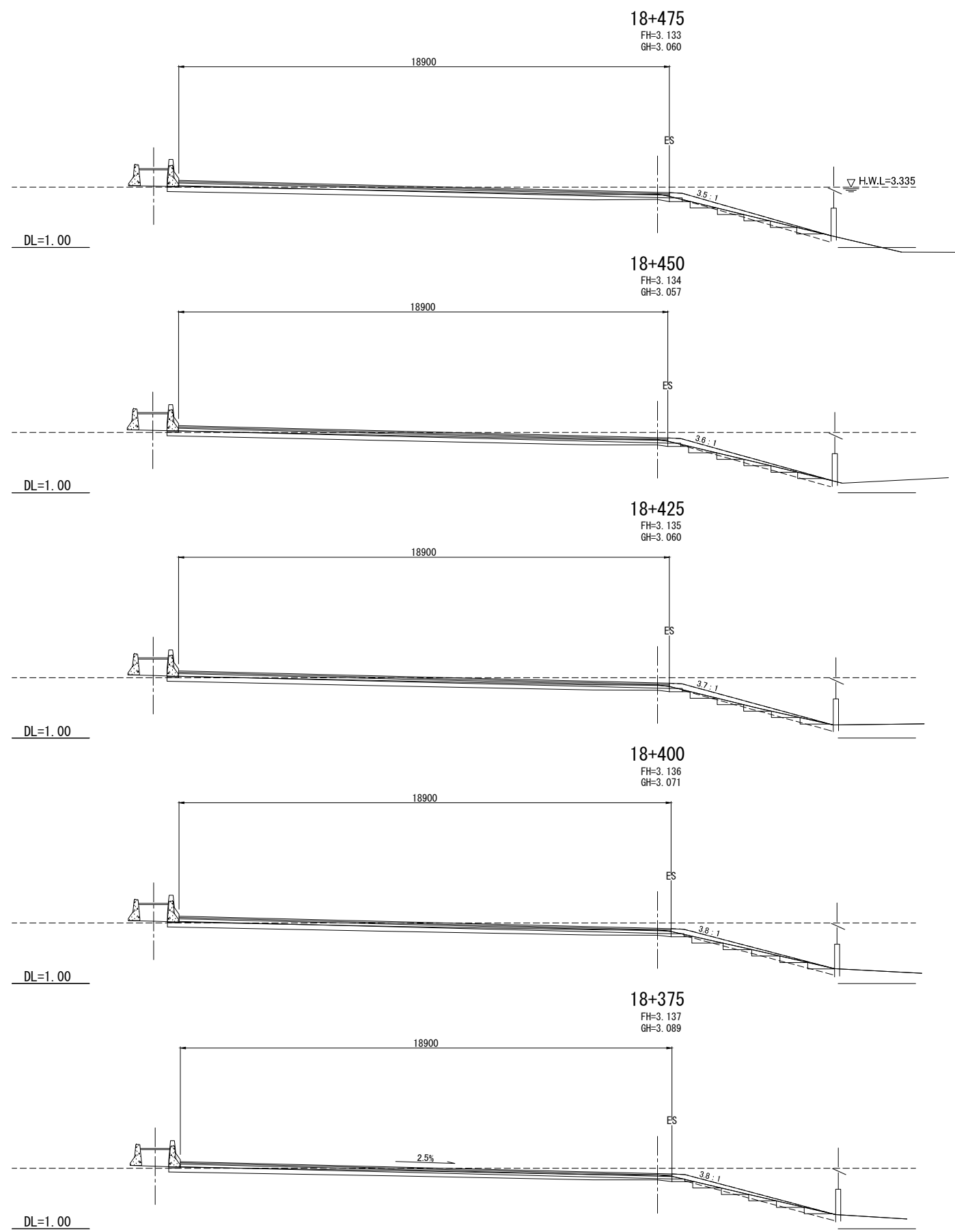
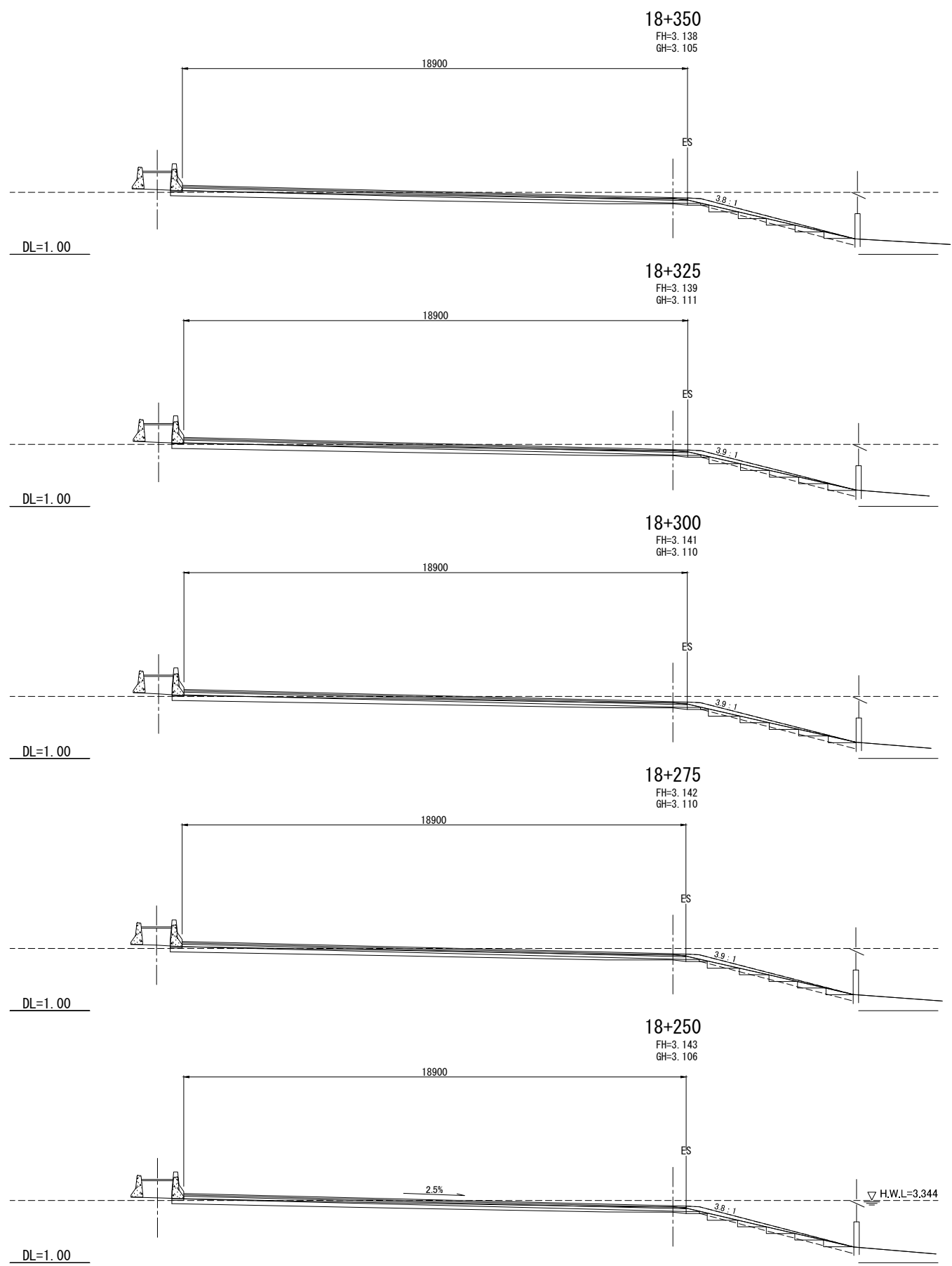


REV. NO.	DESCRIPTION	ENGINEER		DOH		REV. NO.	APPROVED BY	KINGDOM OF THAILAND MINISTRY OF TRANSPORT DEPARTMENT OF HIGHWAYS	HIGHWAY ROUTE NO. 9	OWNER The Inter-City Motorways Division Department of Highways Ministry of Transport	PROJECT TITLE The Preparatory Survey on the Rehabilitation Project of the Outer Bangkok Ring Road	DESIGNED BY SAGARA Hidetaka ROAD ENGINEER	CHECKED BY WATANABE Ryohei CHIEF ENGINEER	DATE	SCALE
		CHECKED	DATE	CHECKED	DATE									AUGUST 2012	SCALE 1:100
									CROSS SECTIONS (32 / 70)					DWG. NO. MW-83	SHEET NO. 88

CTI ENGINEERING INTERNATIONAL CO., LTD.
 ORIENTAL CONSULTANTS CO., LTD.
 NIPPON KOEI CO., LTD.
 CTI ENGINEERING CO., LTD.

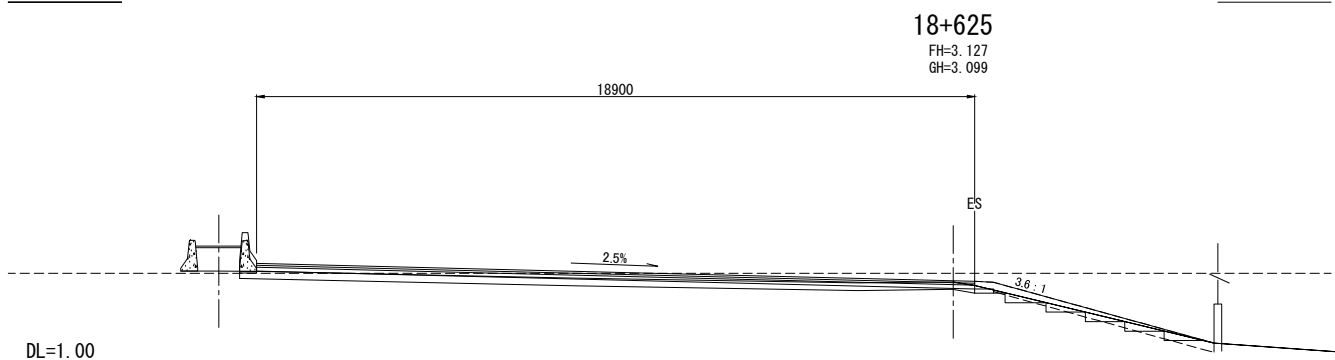
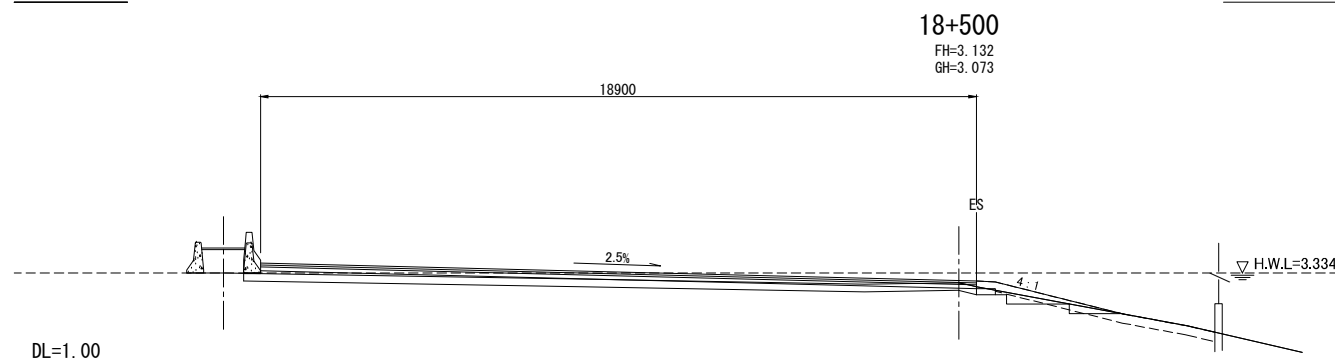
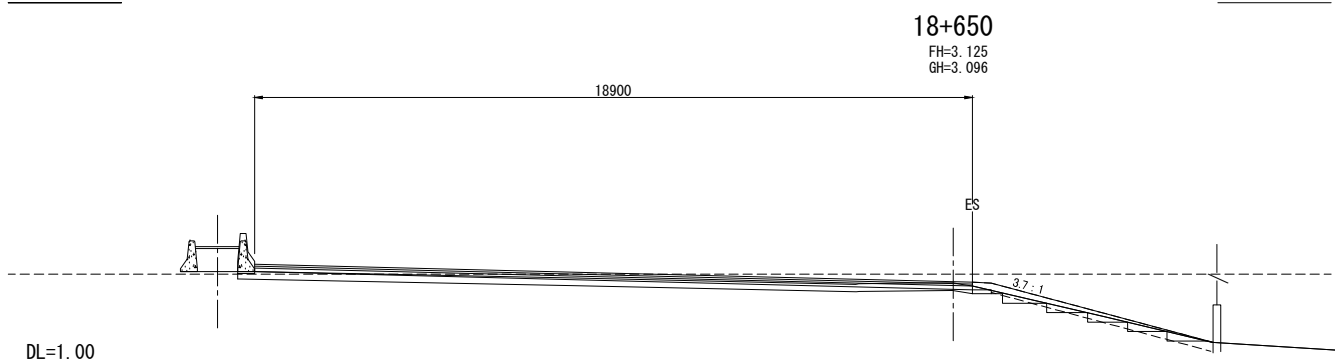
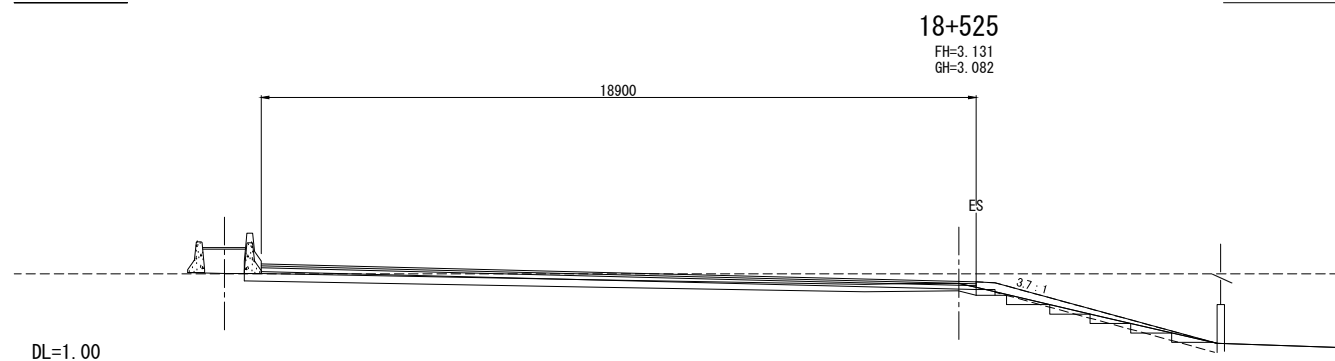
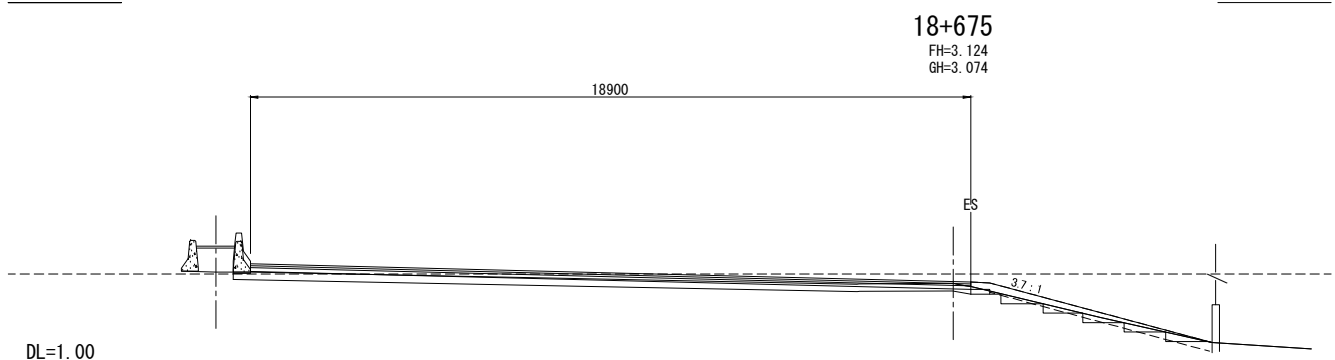
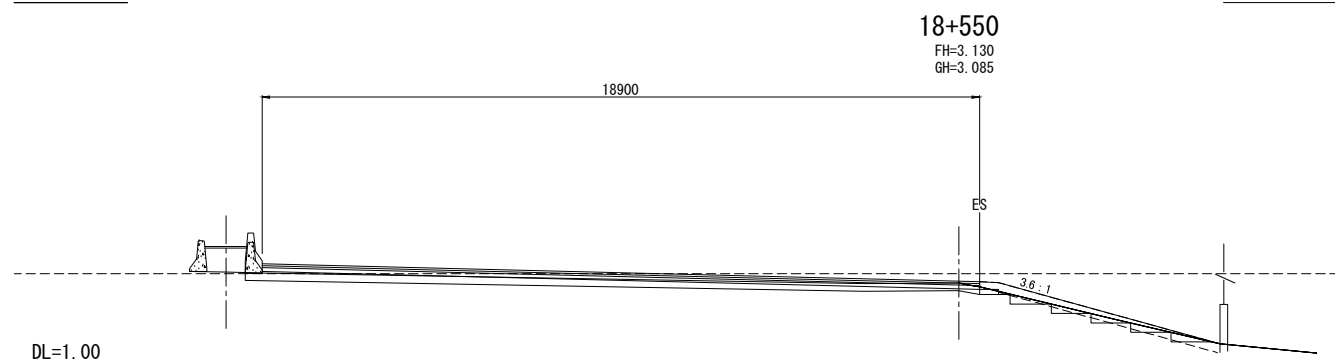
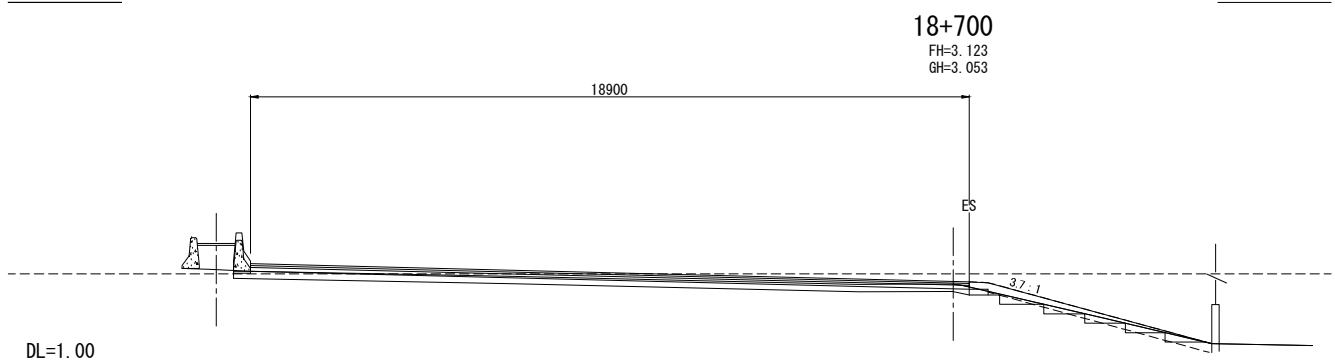
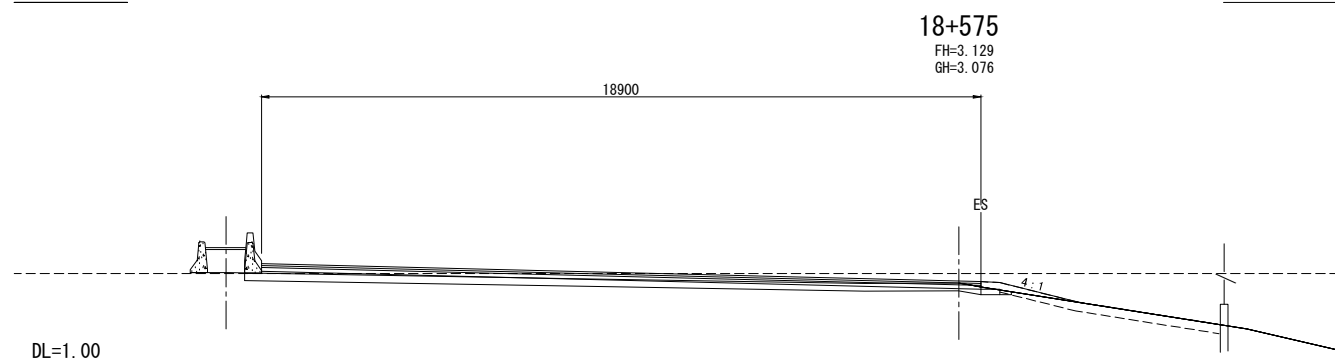
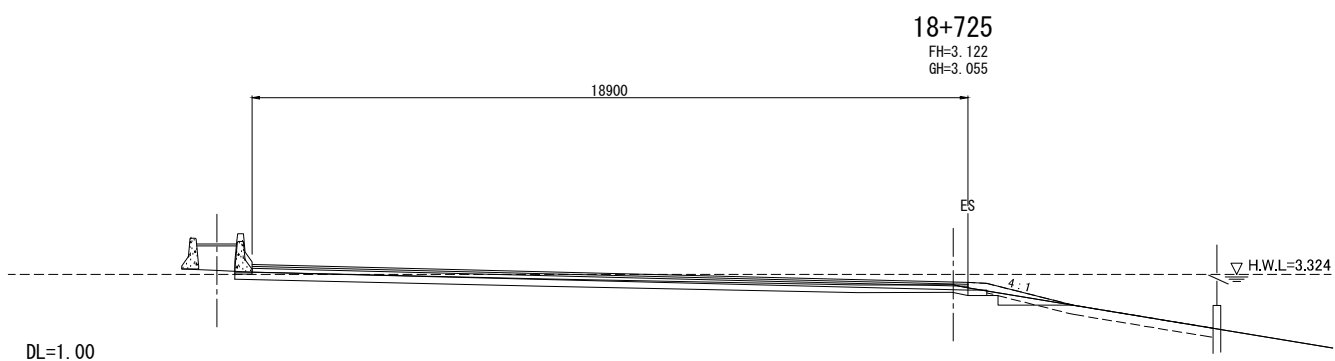
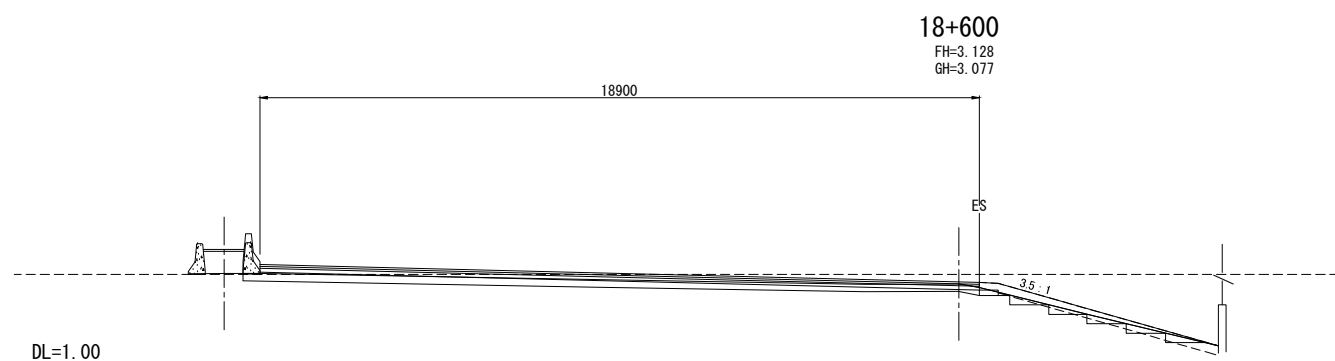


REV. NO.	DESCRIPTION	ENGINEER		DOH		REV. NO.	APPROVED BY	KINGDOM OF THAILAND MINISTRY OF TRANSPORT DEPARTMENT OF HIGHWAYS	HIGHWAY ROUTE NO. 9	OWNER The Inter-City Motorways Division Department of Highways Ministry of Transport	PROJECT TITLE The Preparatory Survey on the Rehabilitation Project of the Outer Bangkok Ring Road	DESIGNED BY SAGARA Hidetaka ROAD ENGINEER	CHECKED BY WATANABE Ryohei CHIEF ENGINEER	DATE:	SCALE:
		CHECKED	DATE	CHECKED	DATE									AUGUST 2012	SCALE 1:100
														DWG. NO. MW-84	SHEET NO. 89

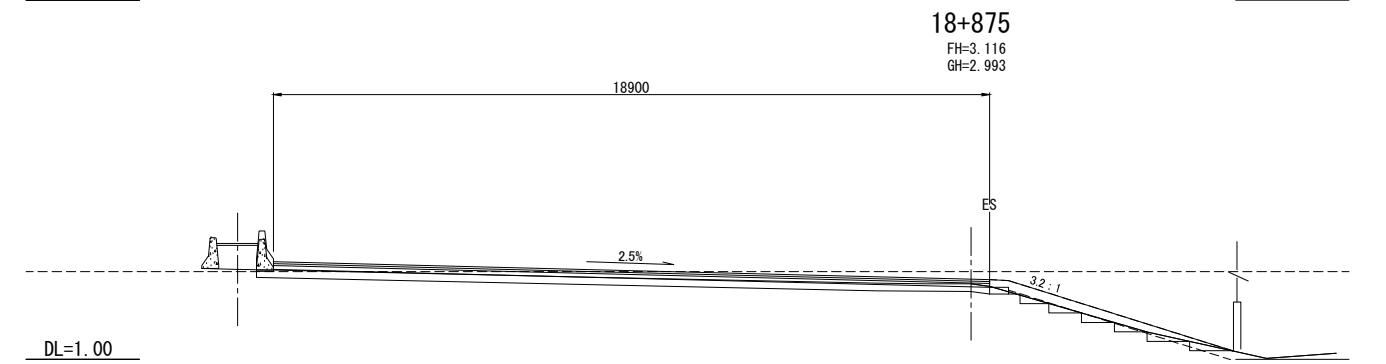
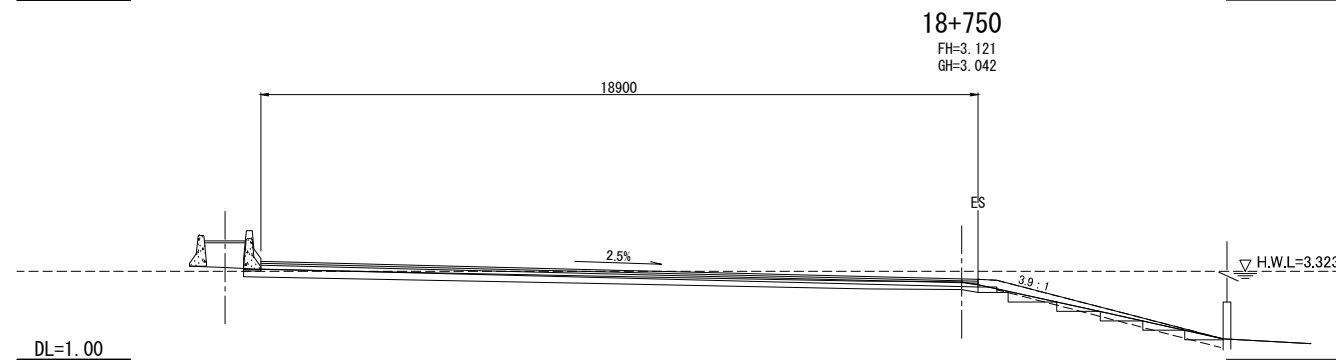
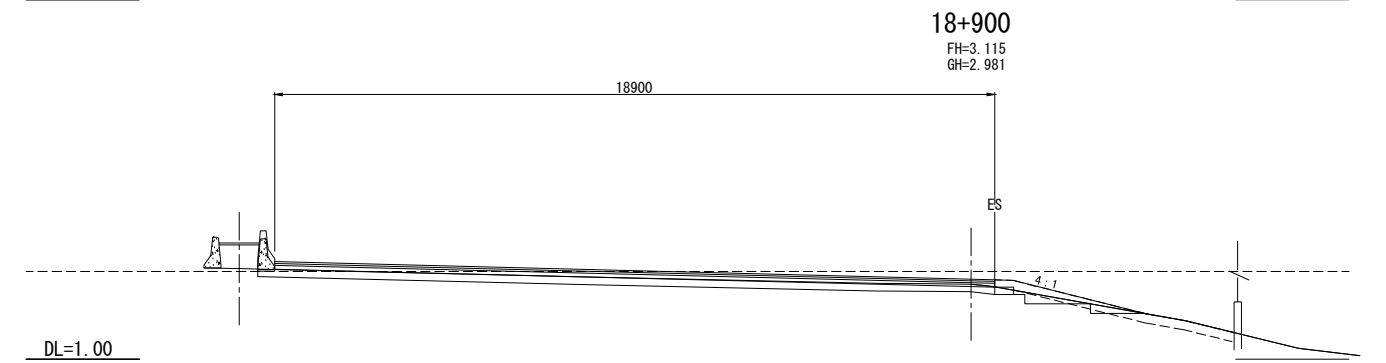
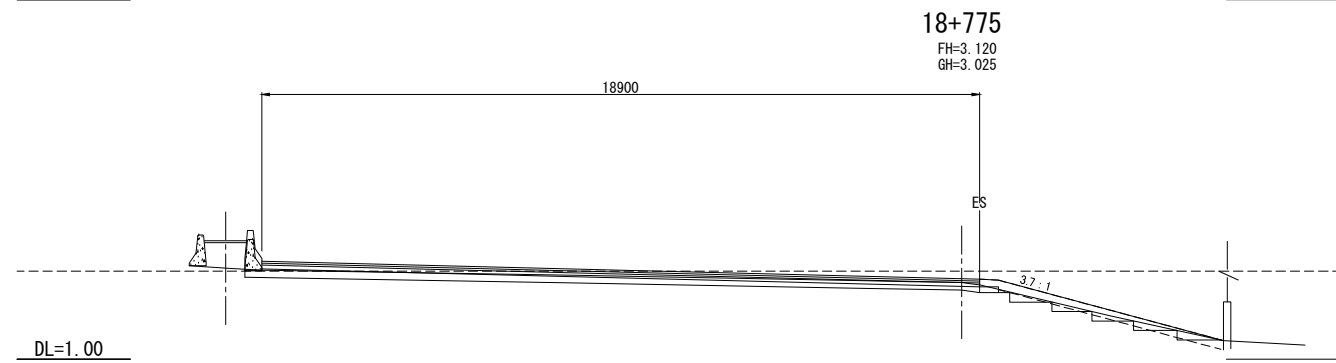
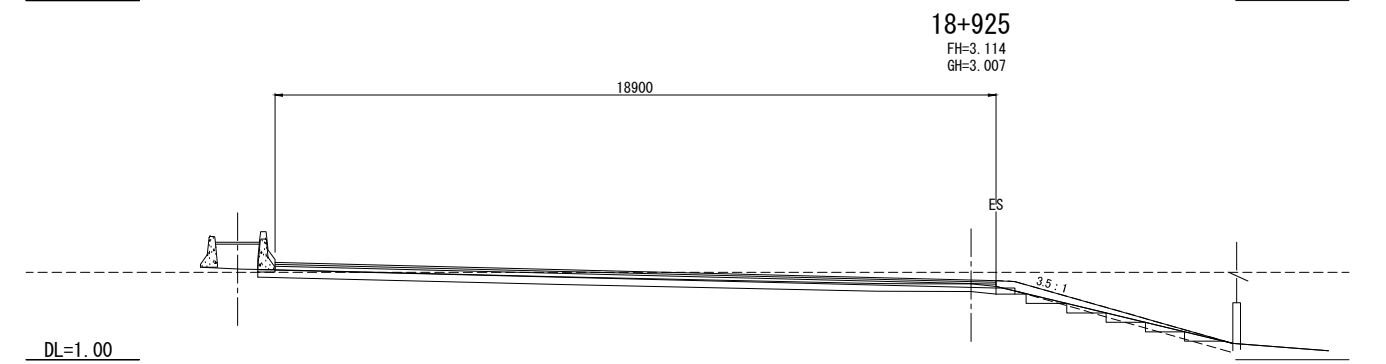
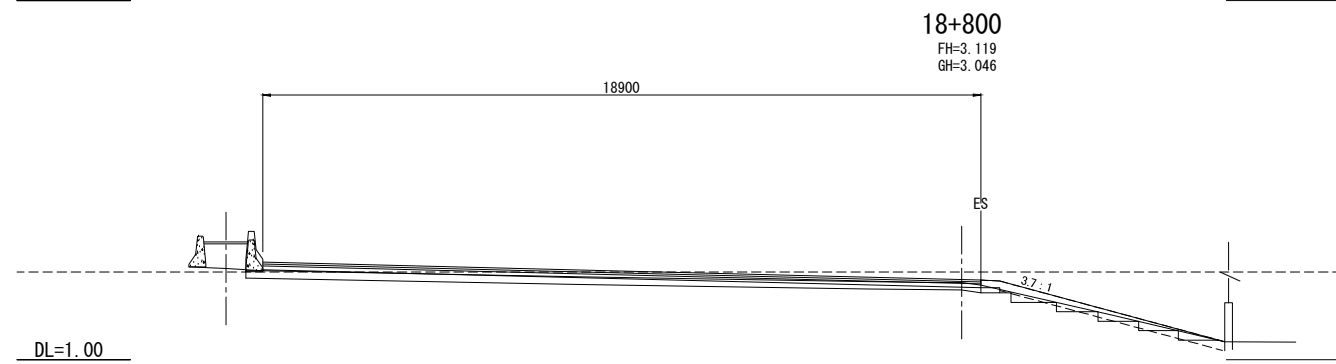
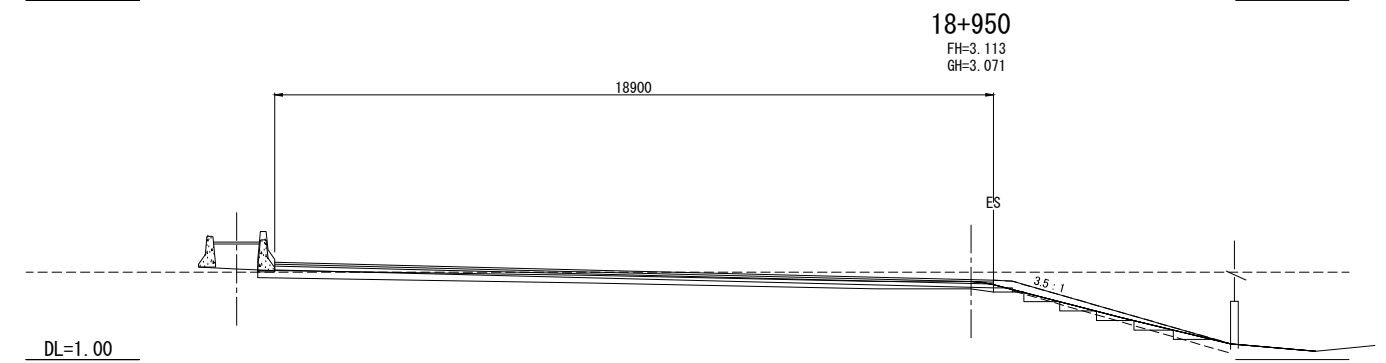
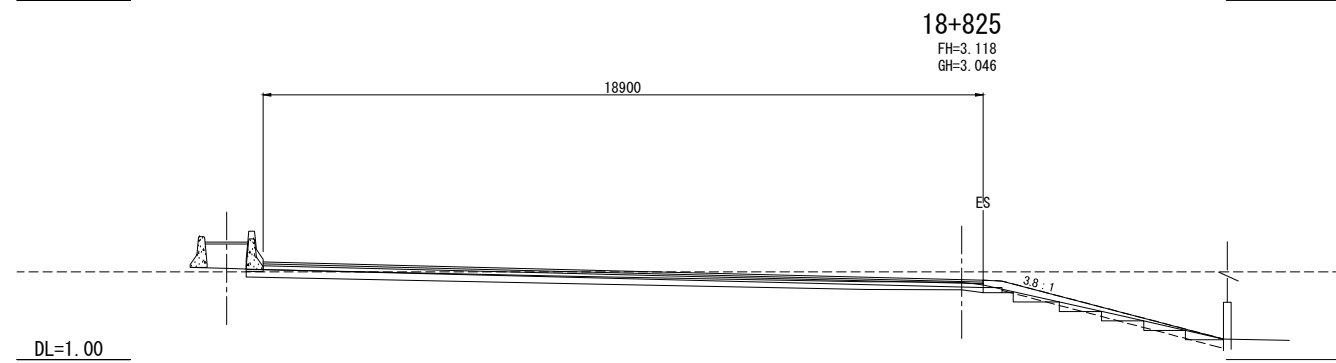
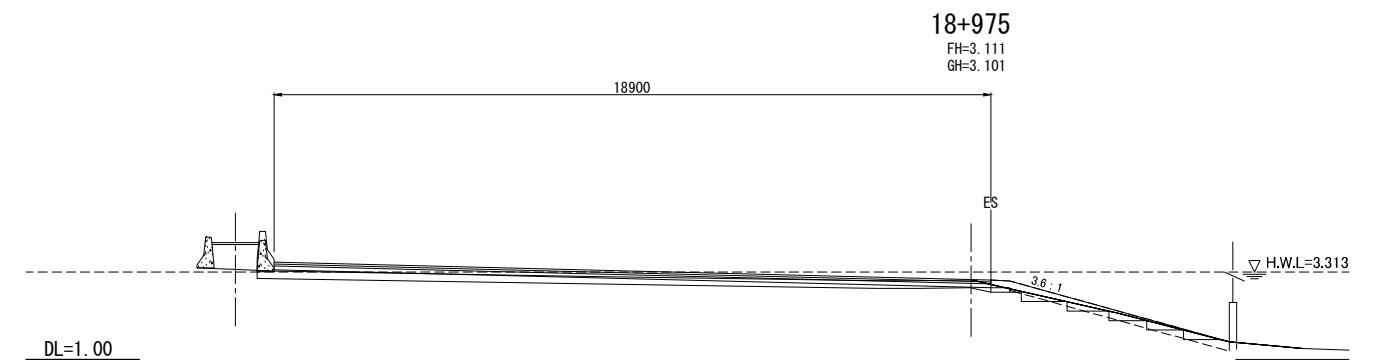
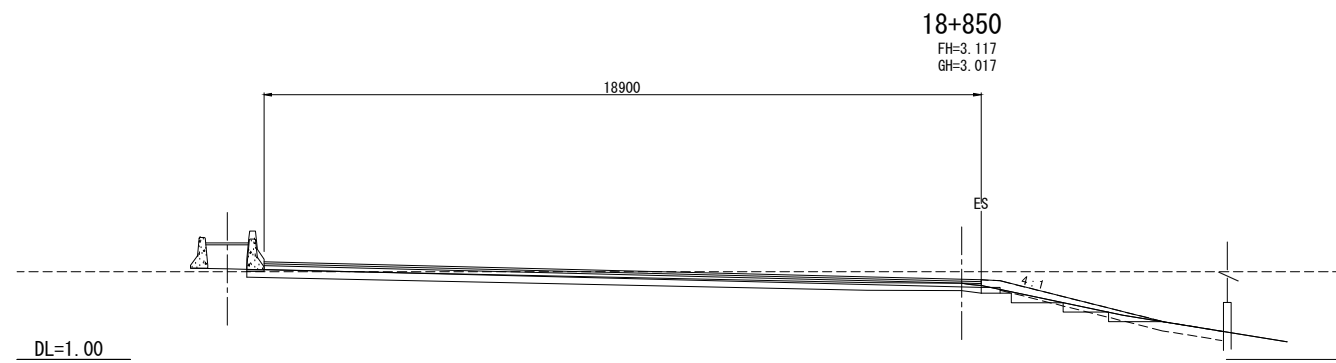


REV. NO.	DESCRIPTION	ENGINEER		DOH		REV. NO.	APPROVED BY	KINGDOM OF THAILAND MINISTRY OF TRANSPORT DEPARTMENT OF HIGHWAYS	HIGHWAY ROUTE NO. 9	OWNER The Inter-City Motorways Division Department of Highways Ministry of Transport	PROJECT TITLE The Preparatory Survey on the Rehabilitation Project of the Outer Bangkok Ring Road	DESIGNED BY SAGARA Hidetaka ROAD ENGINEER	CHECKED BY WATANABE Ryohei CHIEF ENGINEER	DATE:	SCALE:
		CHECKED	DATE	CHECKED	DATE									AUGUST 2012	SCALE 1:100
														DWG. NO. MW-85	SHEET NO. 90

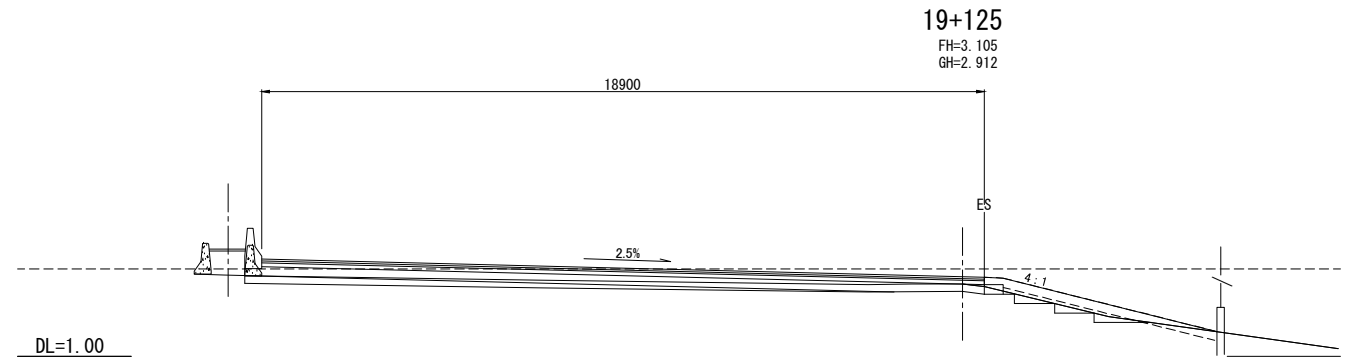
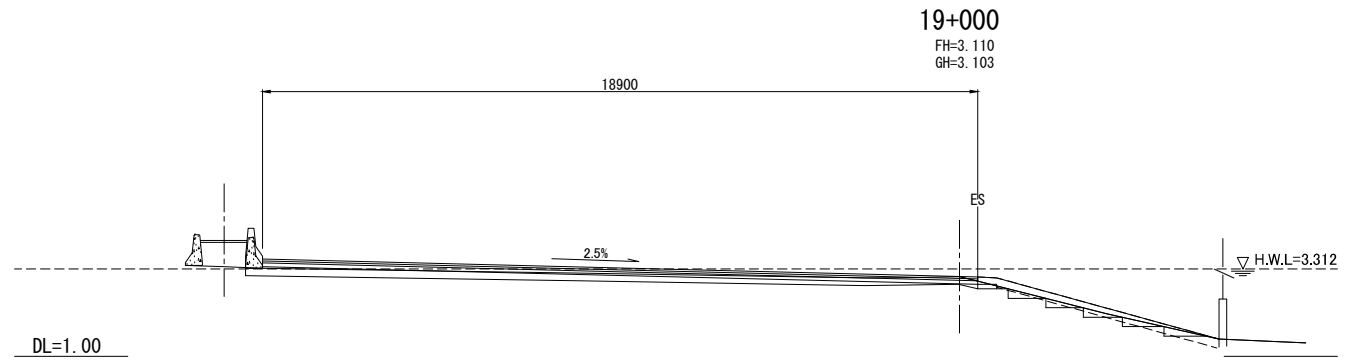
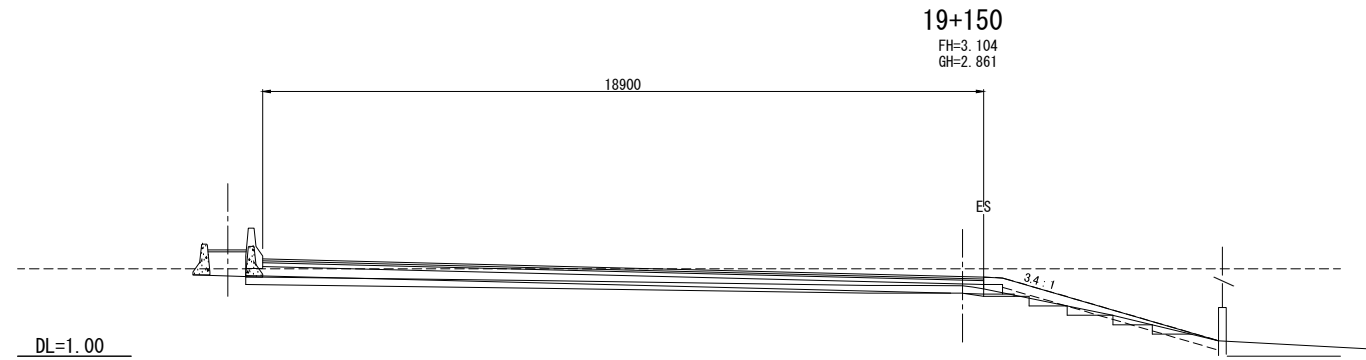
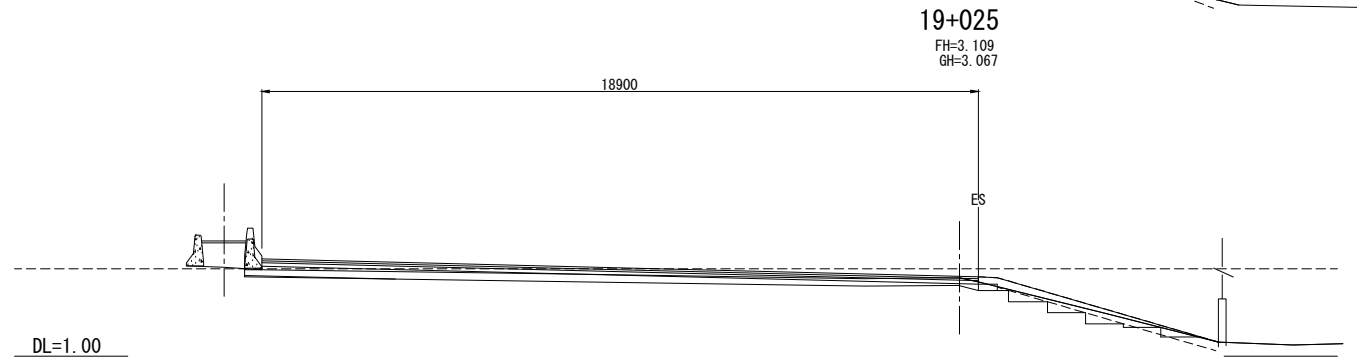
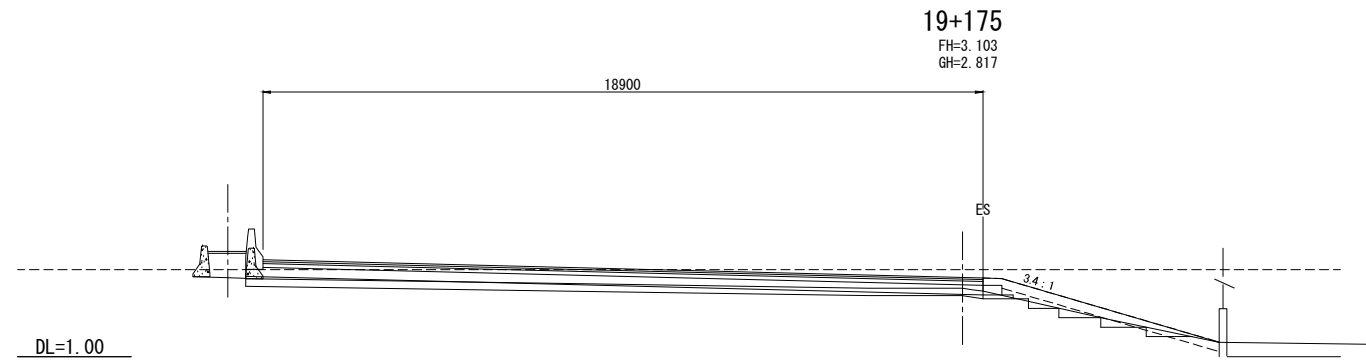
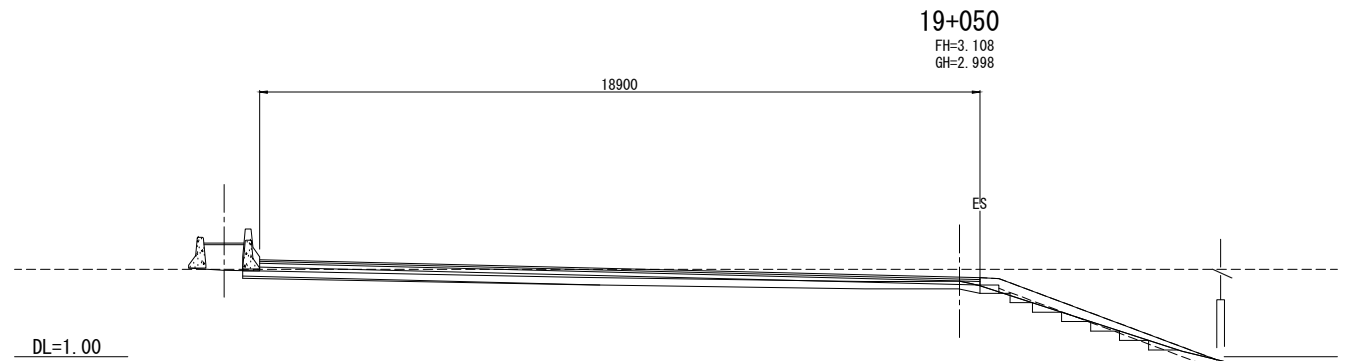
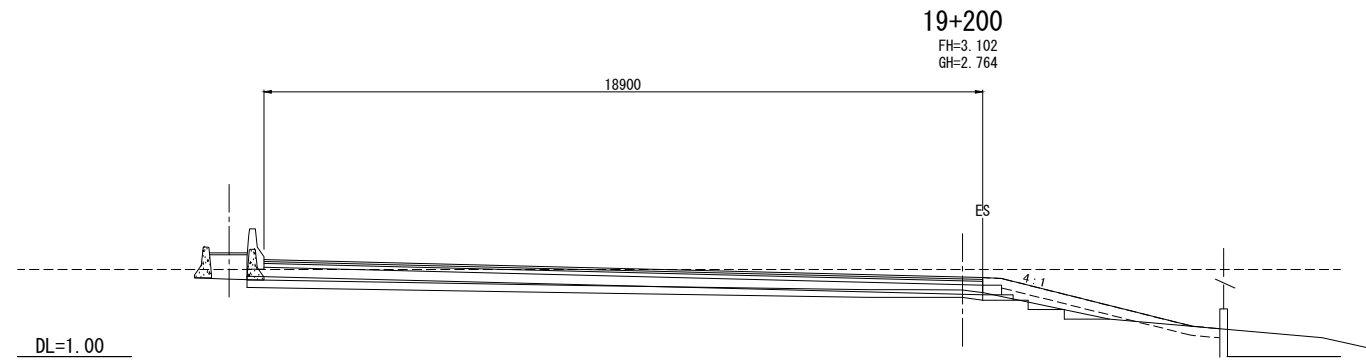
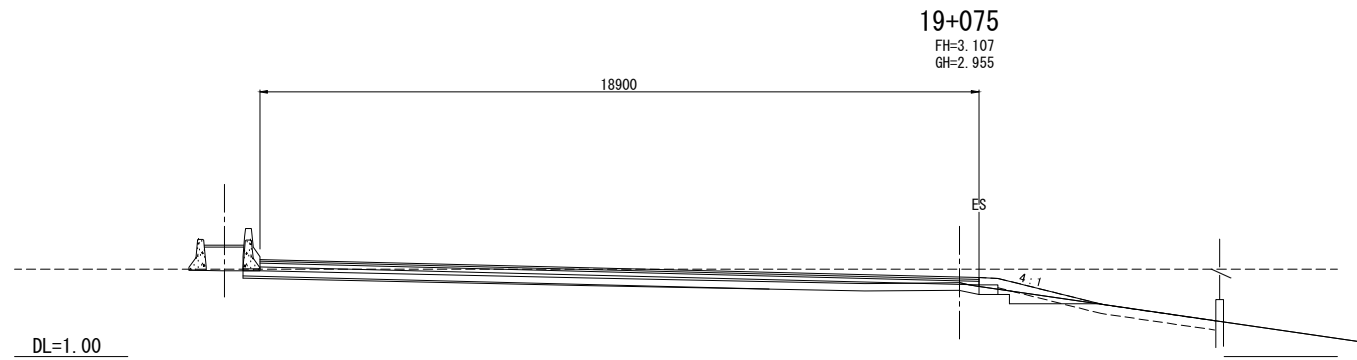
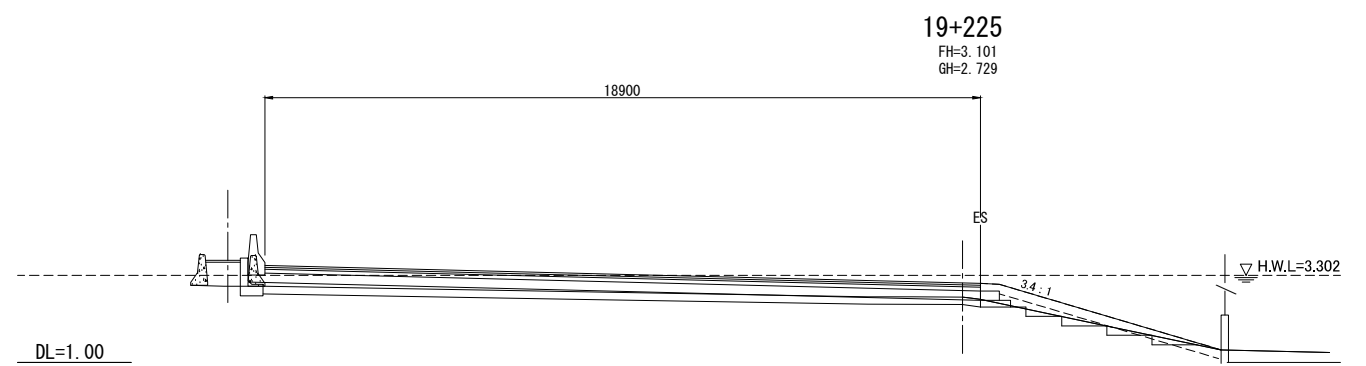
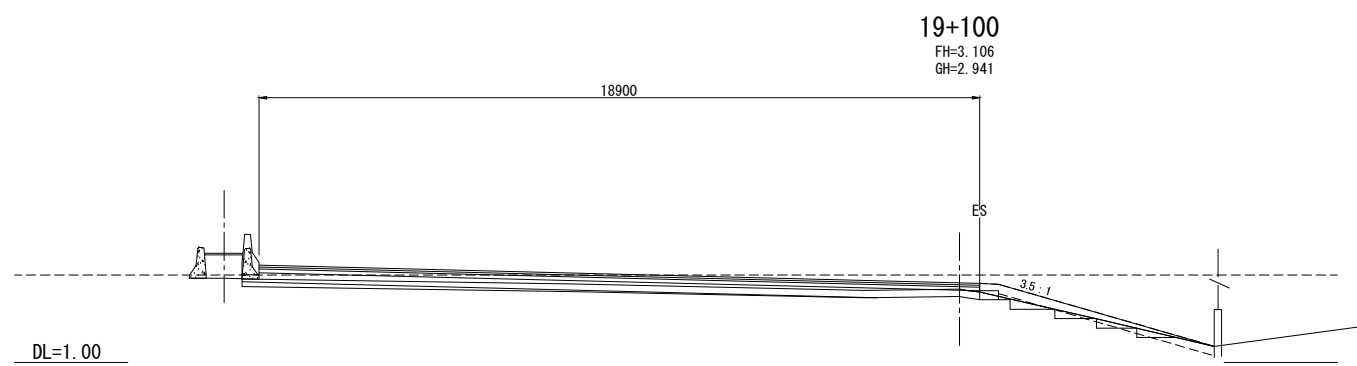
CTI ENGINEERING INTERNATIONAL CO., LTD.
 ORIENTAL CONSULTANTS CO., LTD.
 NIPPON KOEI CO., LTD.
 CTI ENGINEERING CO., LTD.



REV. NO.	DESCRIPTION	ENGINEER		DOH		REV. NO.	APPROVED BY	KINGDOM OF THAILAND MINISTRY OF TRANSPORT DEPARTMENT OF HIGHWAYS	HIGHWAY ROUTE NO. 9	OWNER The Inter-City Motorways Division Department of Highways Ministry of Transport	PROJECT TITLE The Preparatory Survey on the Rehabilitation Project of the Outer Bangkok Ring Road	DESIGNED BY SAGARA Hidetaka ROAD ENGINEER	CHECKED BY WATANABE Ryohei CHIEF ENGINEER	DATE:	SCALE:
		CHECKED	DATE	CHECKED	DATE									AUGUST 2012	SCALE 1:100
														DWG. NO. MW-86	SHEET NO. 91

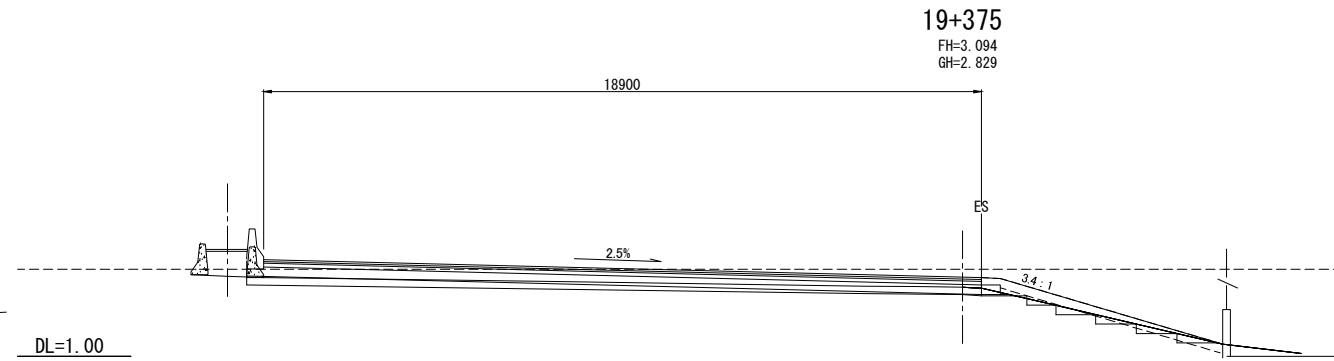
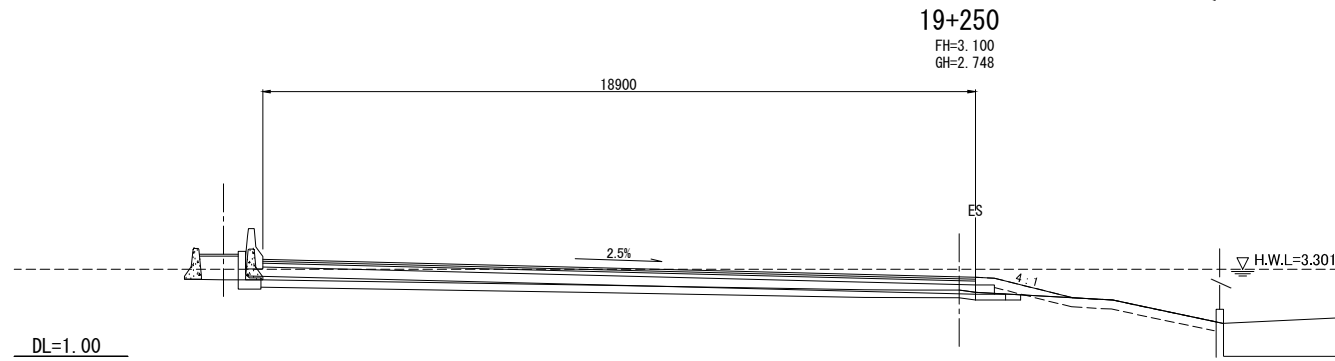
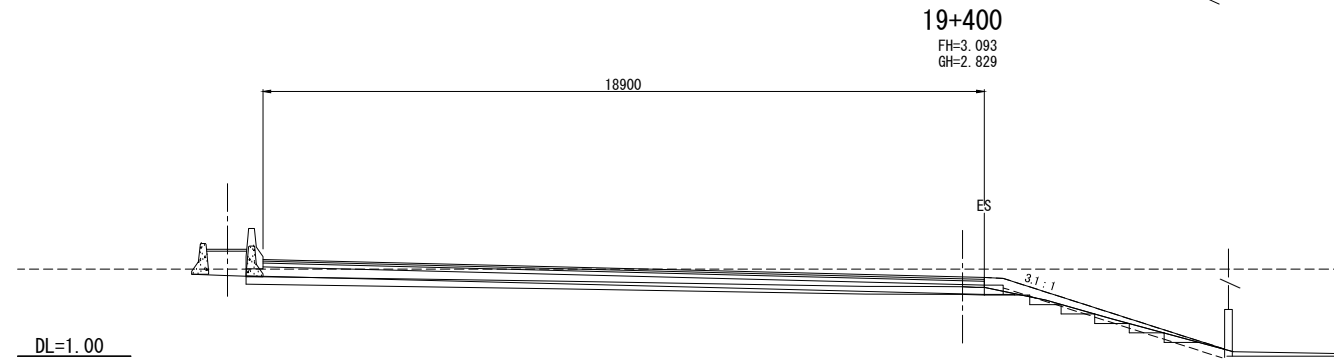
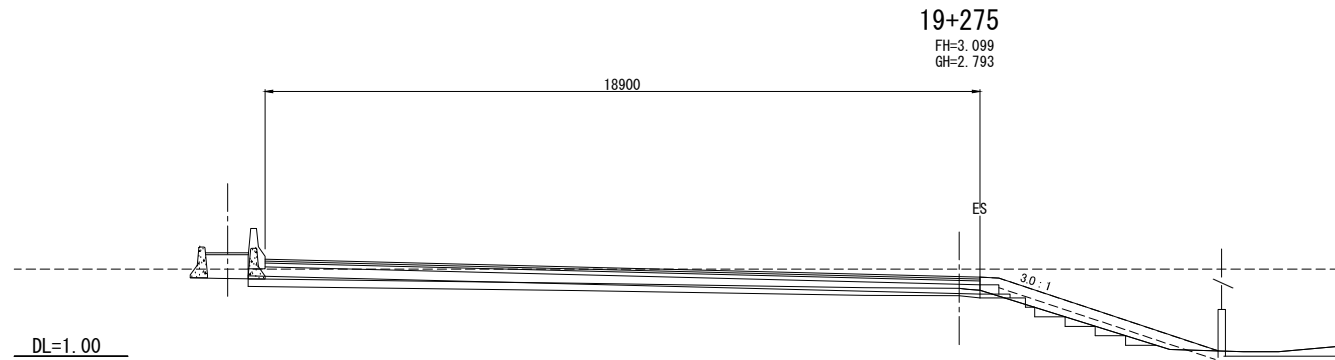
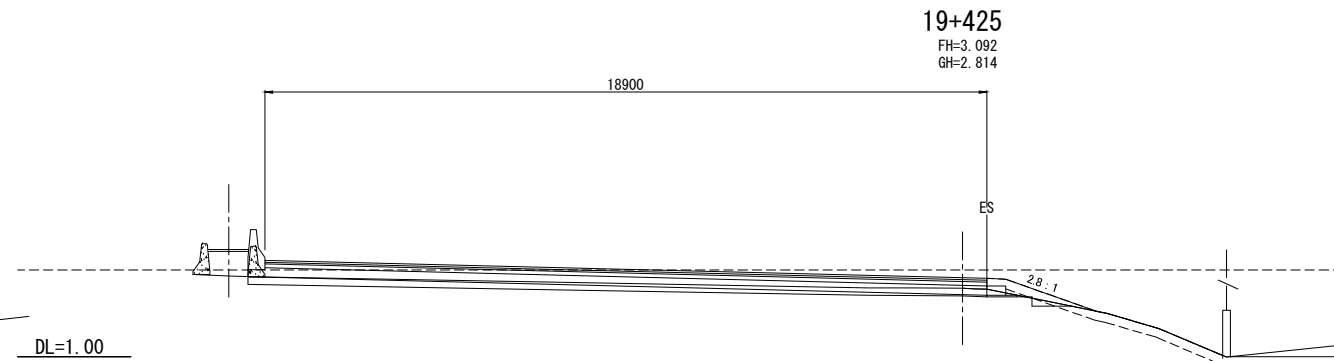
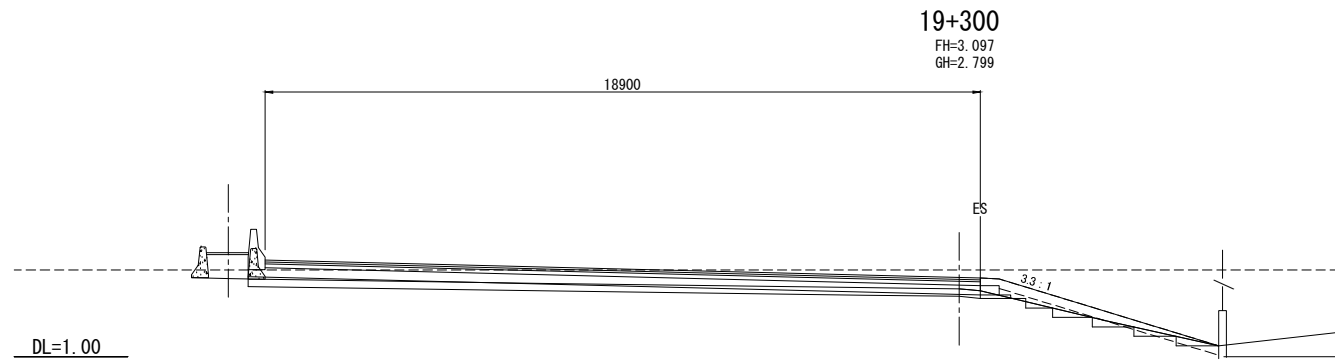
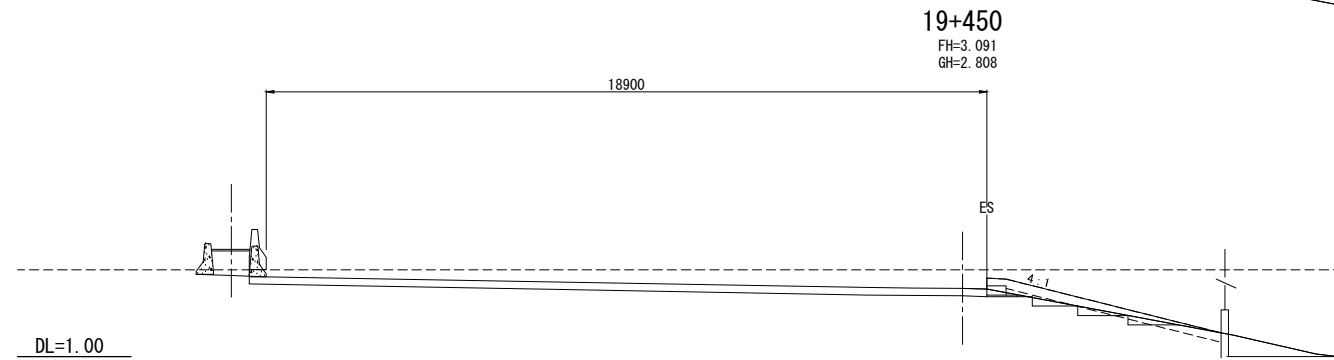
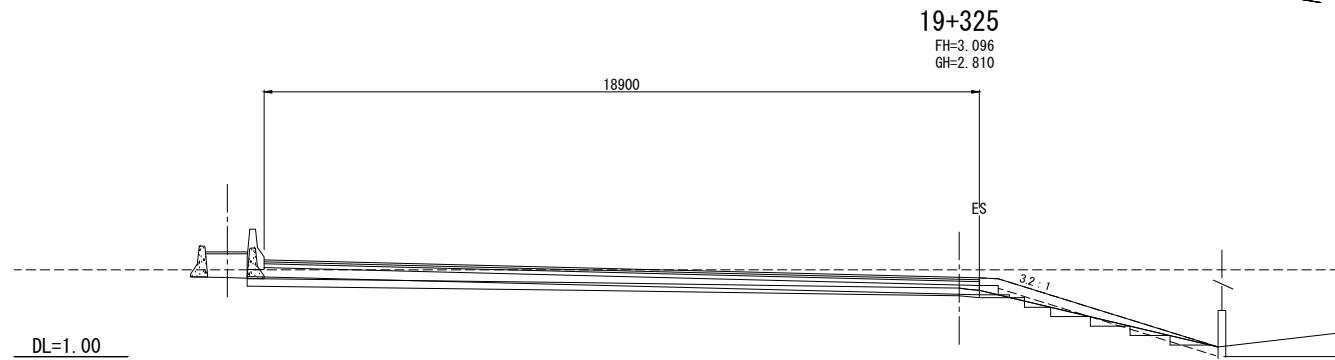
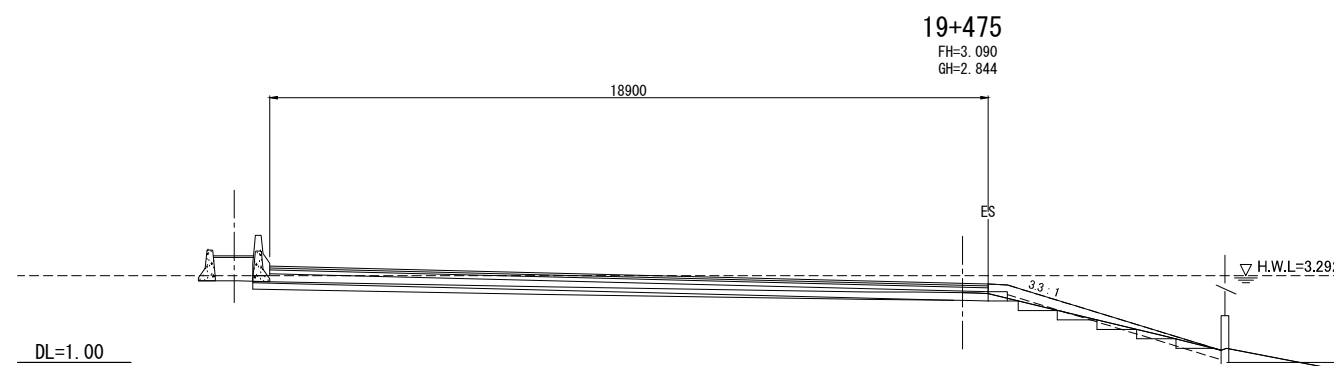
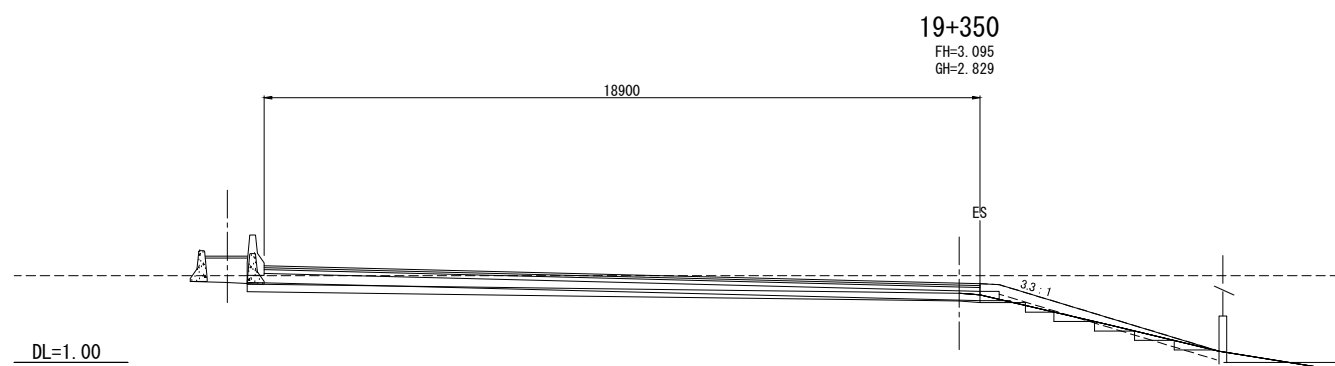


REV. NO.	DESCRIPTION	ENGINEER		DOH		REV. NO.	APPROVED BY	KINGDOM OF THAILAND MINISTRY OF TRANSPORT DEPARTMENT OF HIGHWAYS	HIGHWAY ROUTE NO. 9	OWNER The Inter-City Motorways Division Department of Highways Ministry of Transport	PROJECT TITLE The Preparatory Survey on the Rehabilitation Project of the Outer Bangkok Ring Road	DESIGNED BY SAGARA Hidetaka ROAD ENGINEER	CHECKED BY WATANABE Ryohei CHIEF ENGINEER	DATE:	SCALE:
		CHECKED	DATE	CHECKED	DATE									AUGUST 2012	SCALE 1:100
														DWG. NO. MW-87	SHEET NO. 92

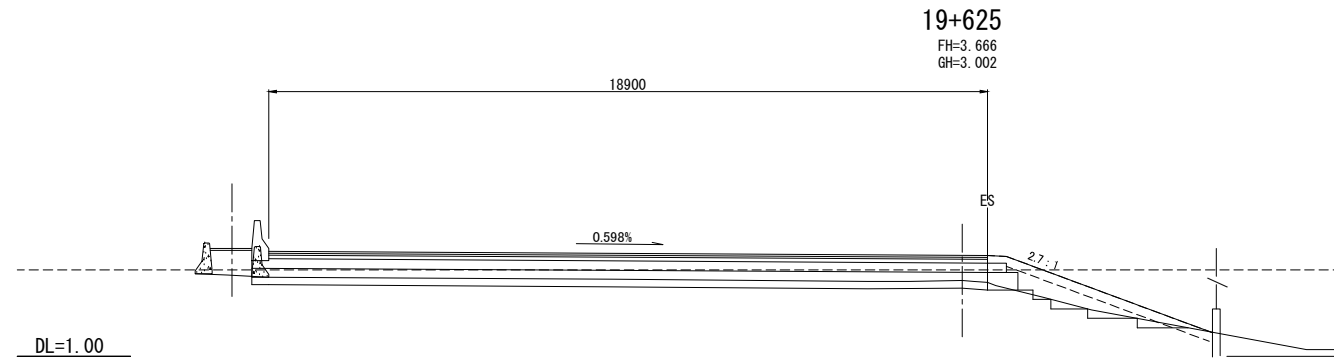
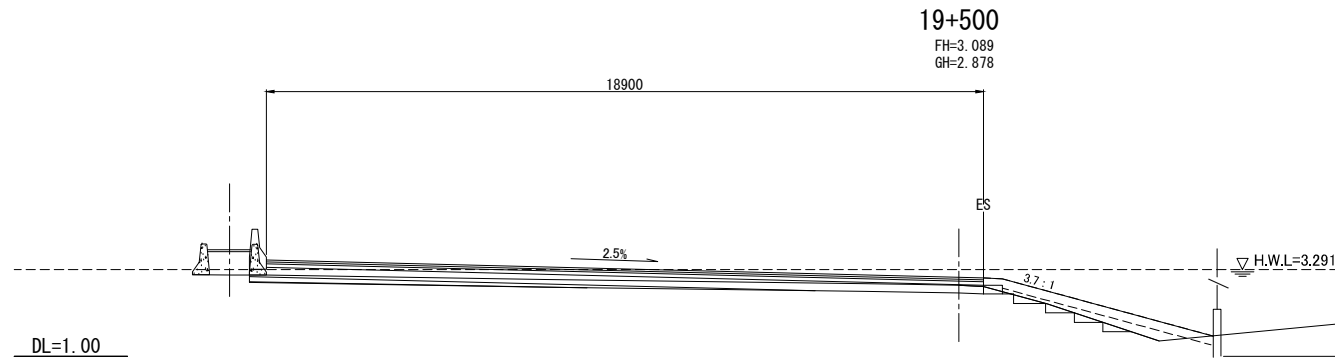
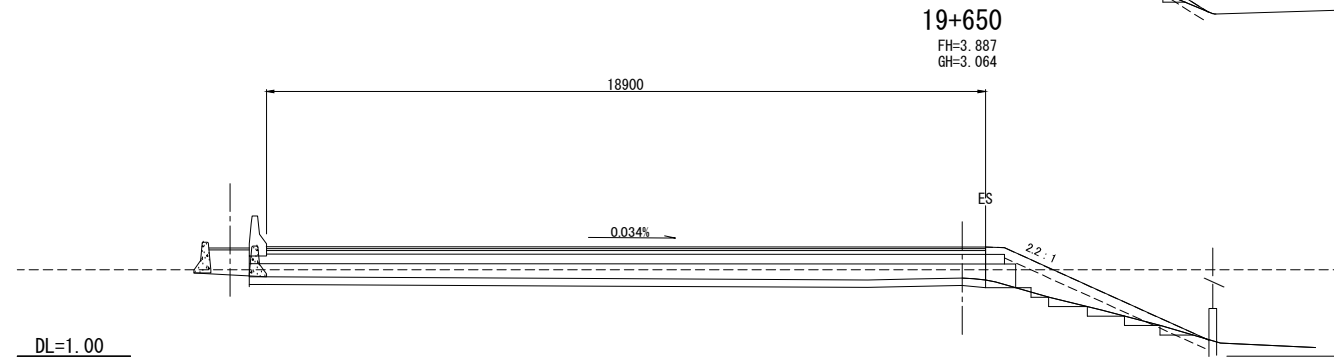
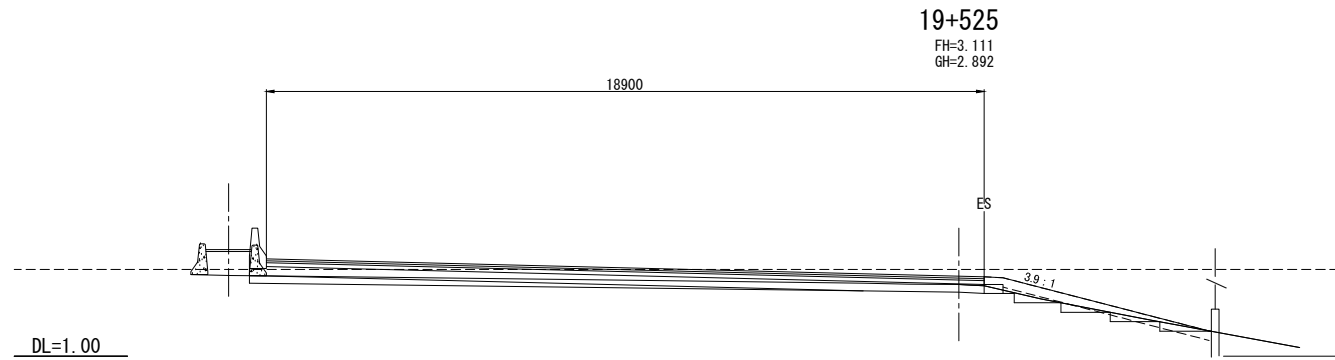
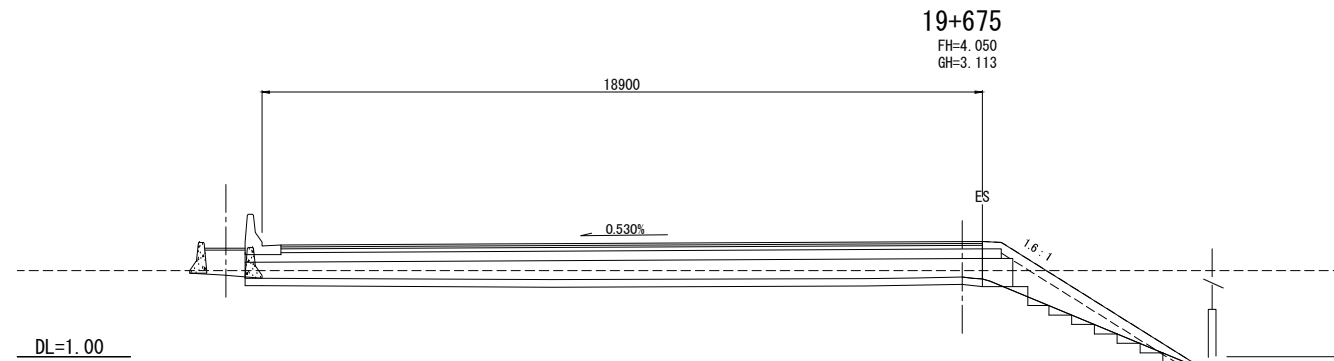
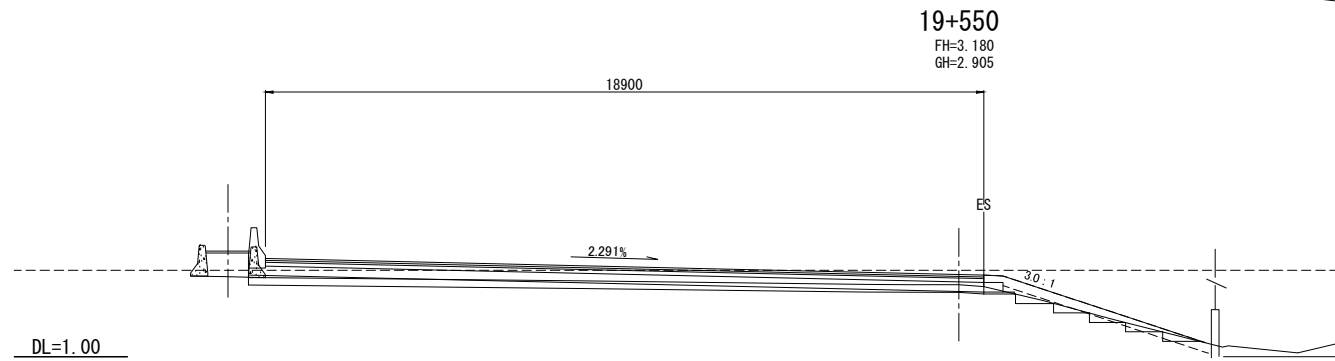
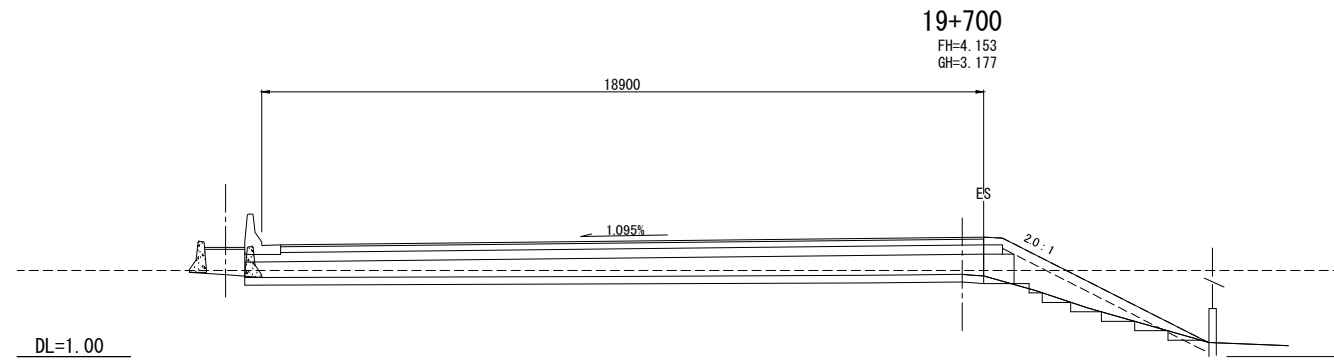
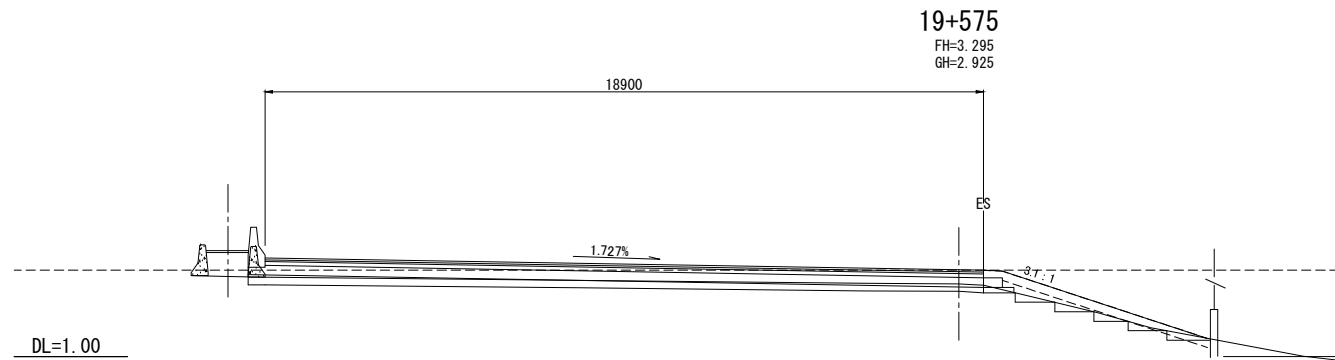
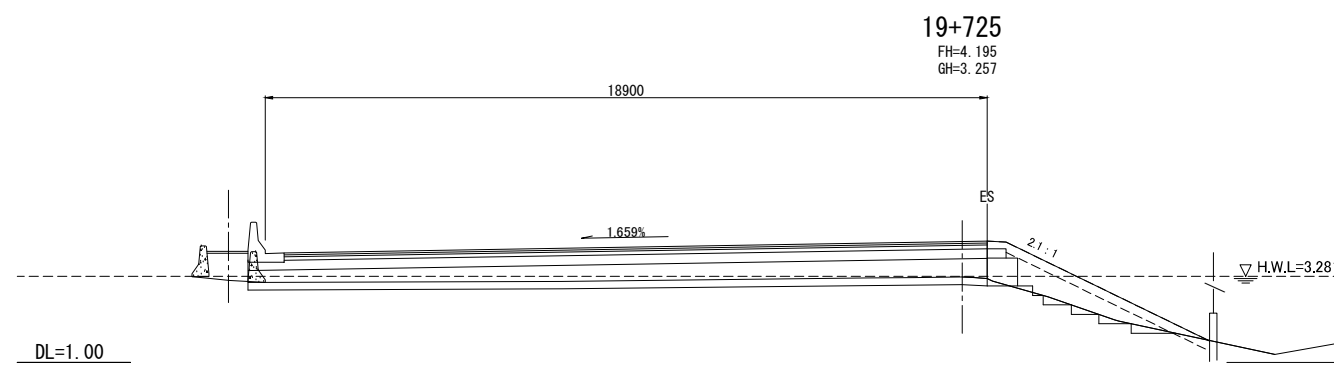
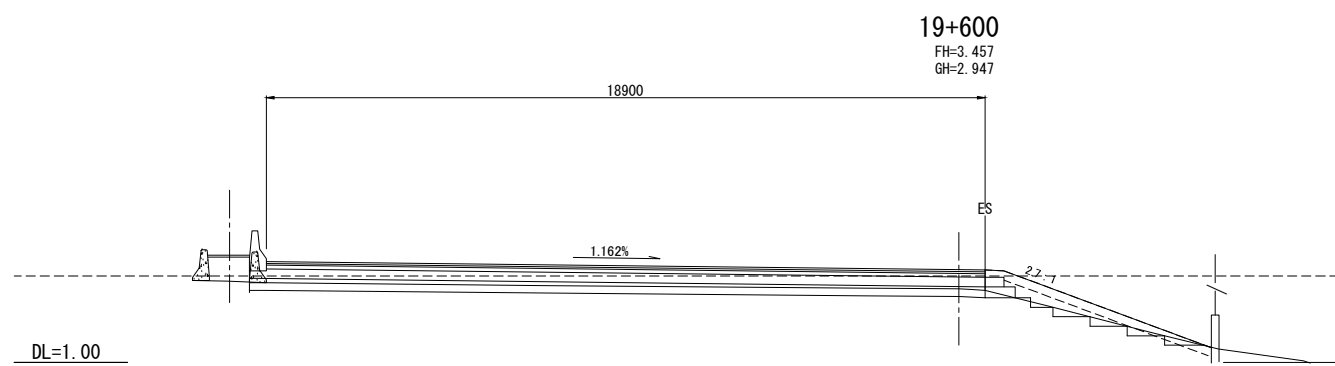


REV. NO.	DESCRIPTION	ENGINEER		DOH		REV. NO.	APPROVED BY	KINGDOM OF THAILAND MINISTRY OF TRANSPORT DEPARTMENT OF HIGHWAYS	HIGHWAY ROUTE NO. 9 The Preparatory Survey on the Rehabilitation Project of the Outer Bangkok Ring Road	OWNER The Inter-City Motorways Division Department of Highways Ministry of Transport	PROJECT TITLE	DESIGNED BY SAGARA Hidetaka ROAD ENGINEER	CHECKED BY WATANABE Ryohei CHIEF ENGINEER	DATE:	SCALE:
		CHECKED	DATE	CHECKED	DATE									AUGUST 2012	SCALE 1:100
														DWG. NO. MW-88	SHEET NO. 93

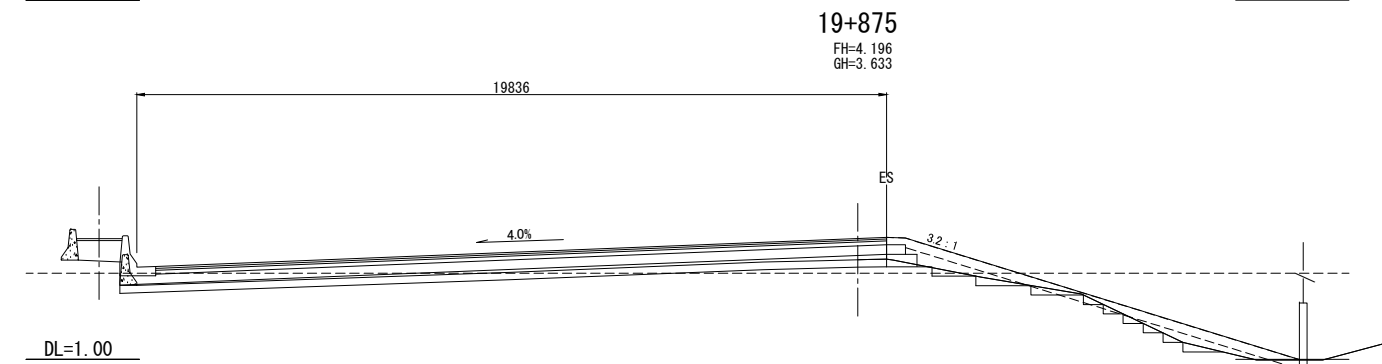
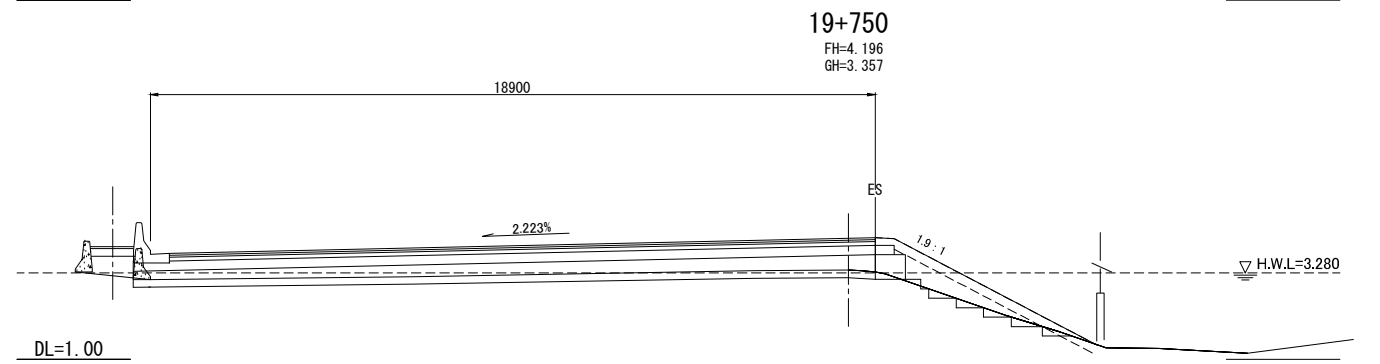
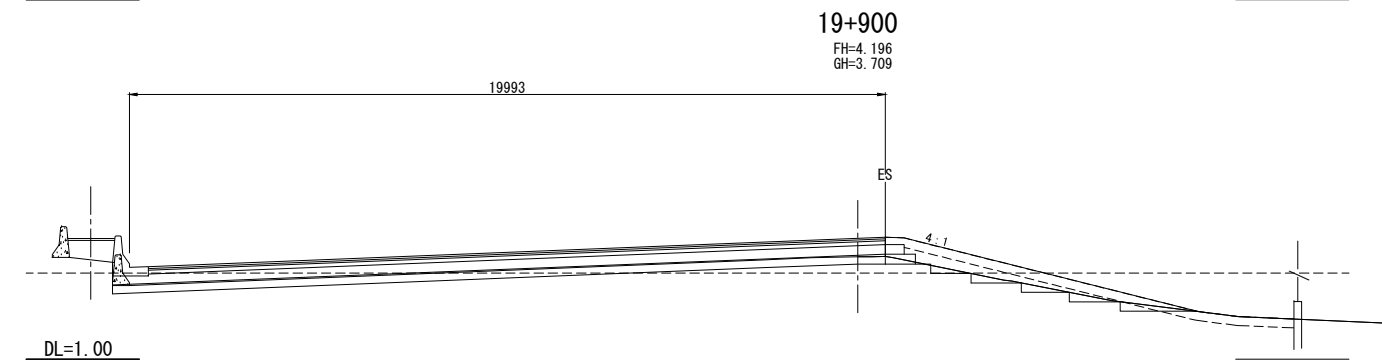
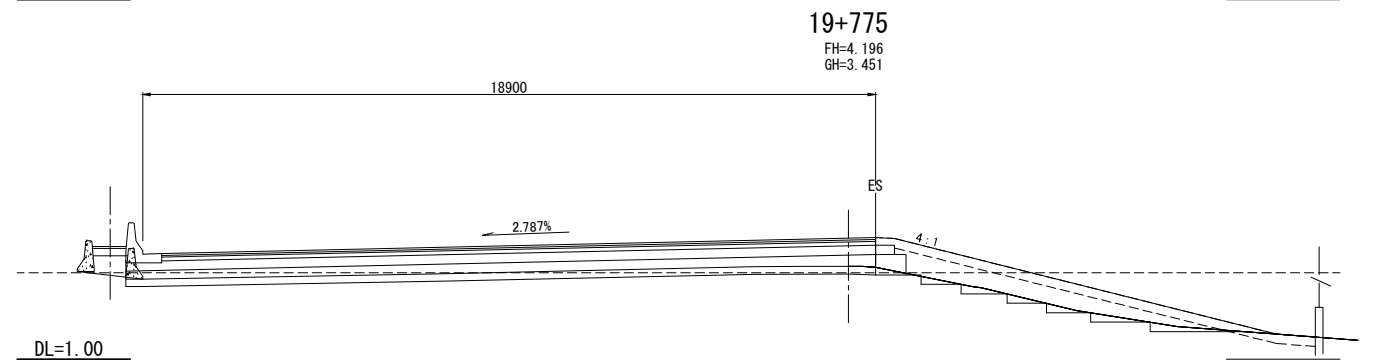
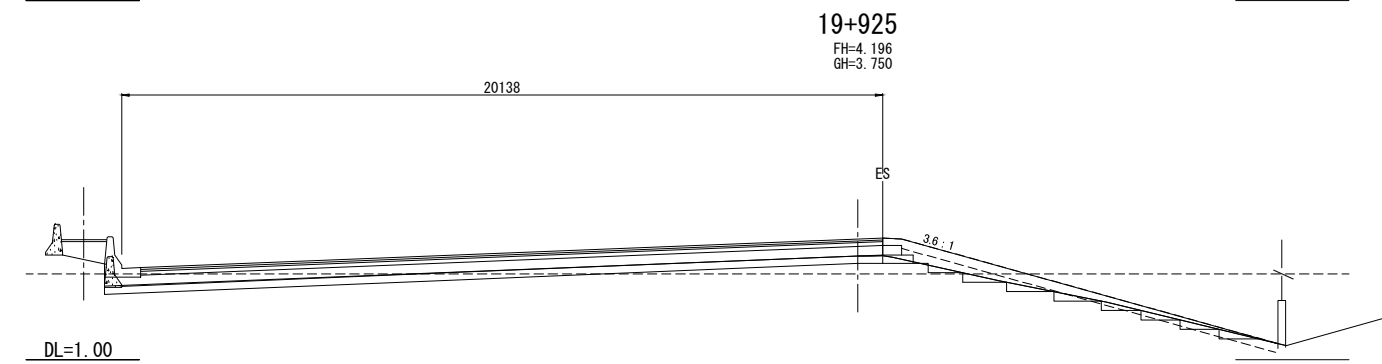
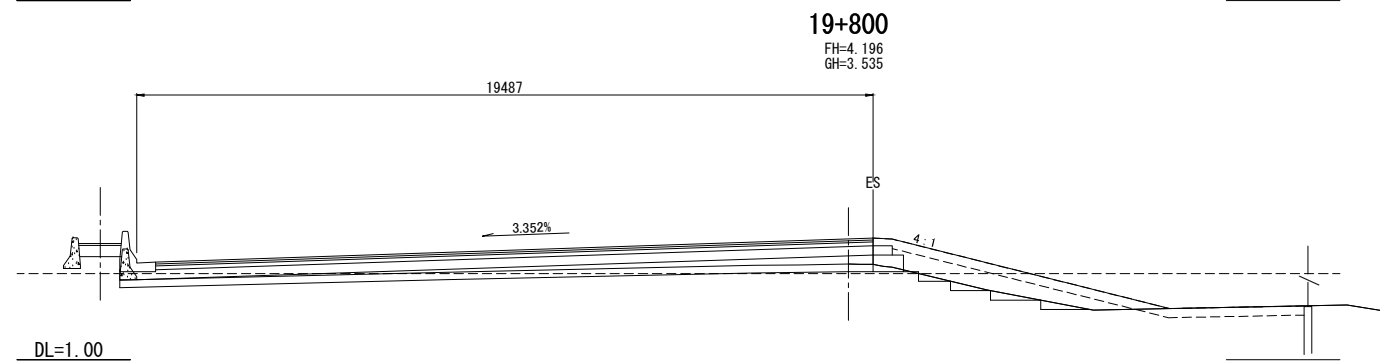
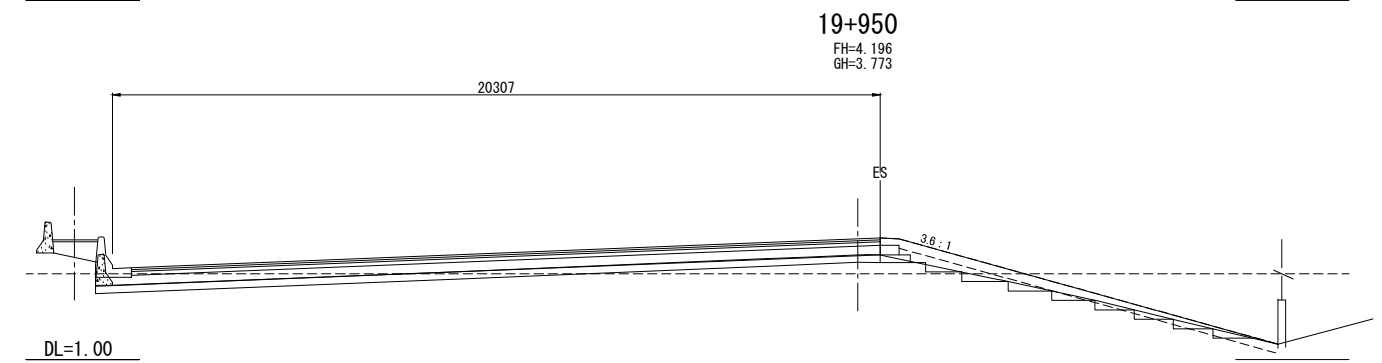
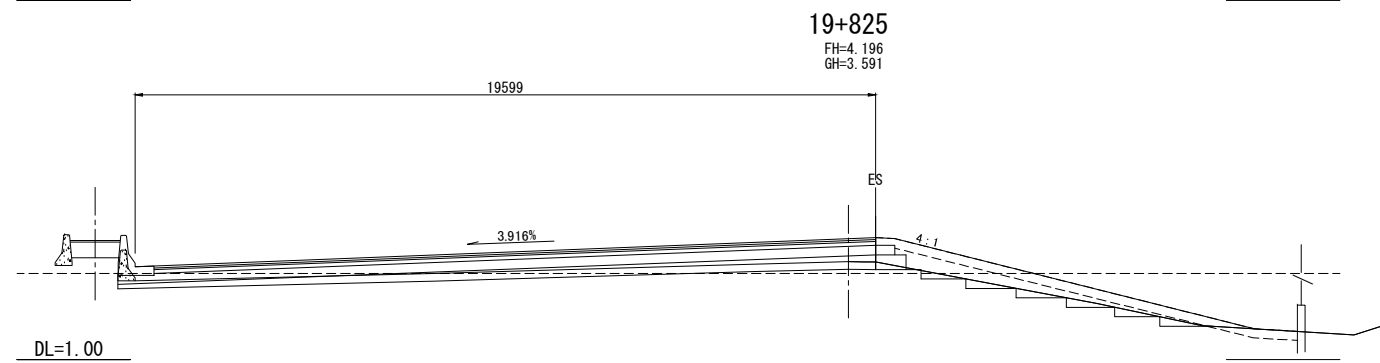
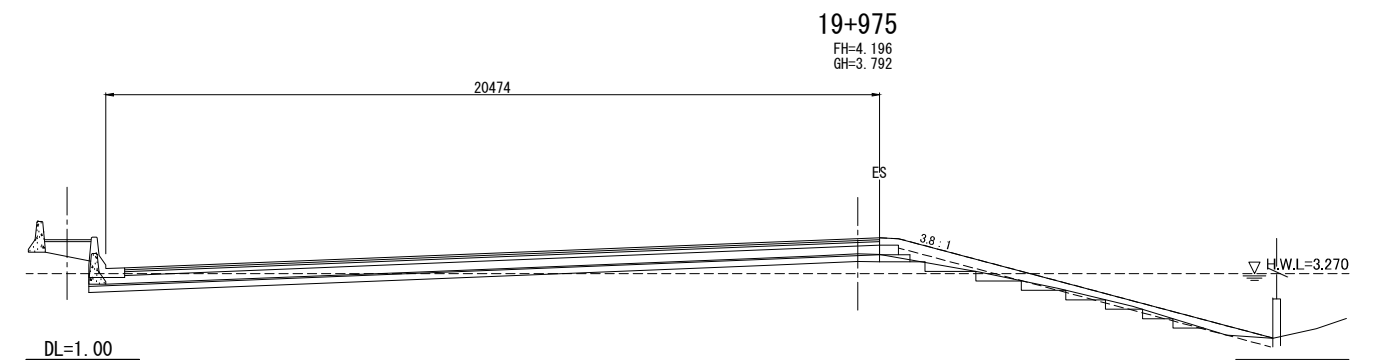
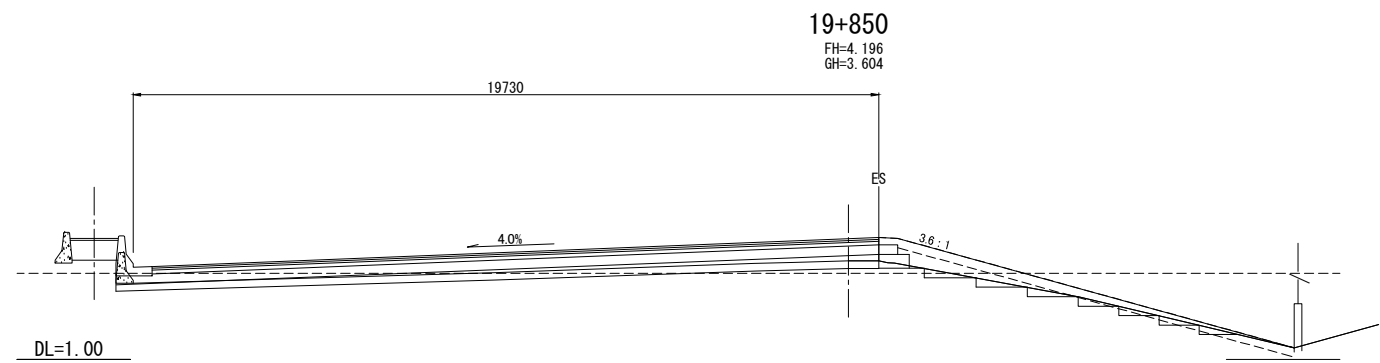
CTI ENGINEERING INTERNATIONAL CO., LTD.
ORIENTAL CONSULTANTS CO., LTD.
NIPPON KOEI CO., LTD.
CTI ENGINEERING CO., LTD.



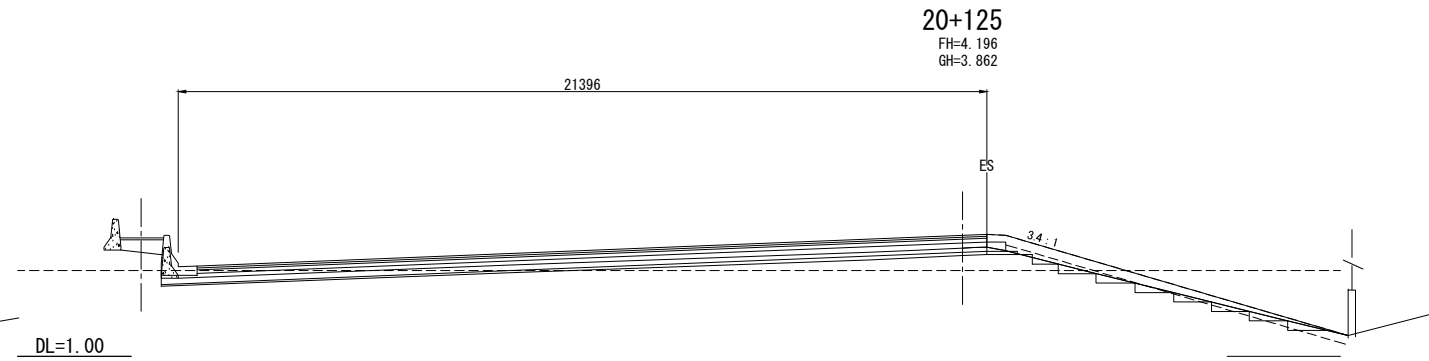
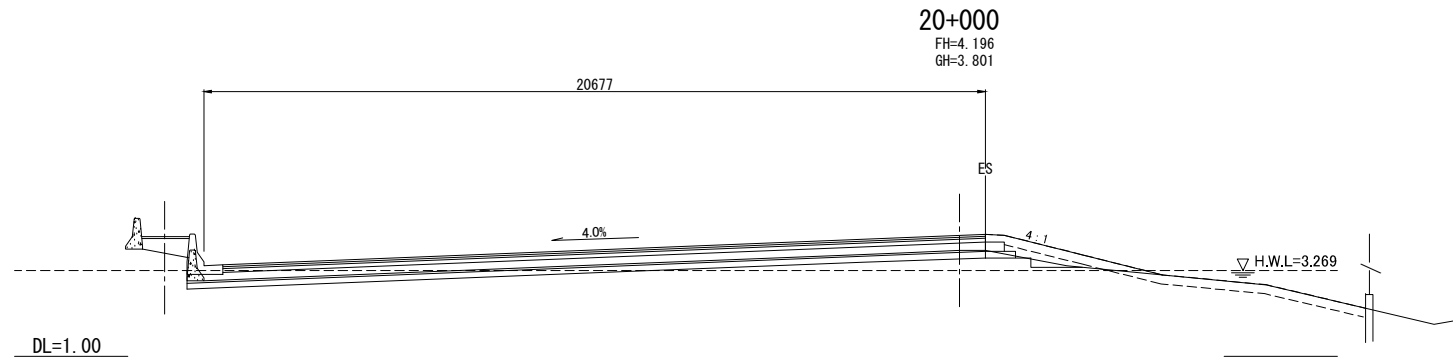
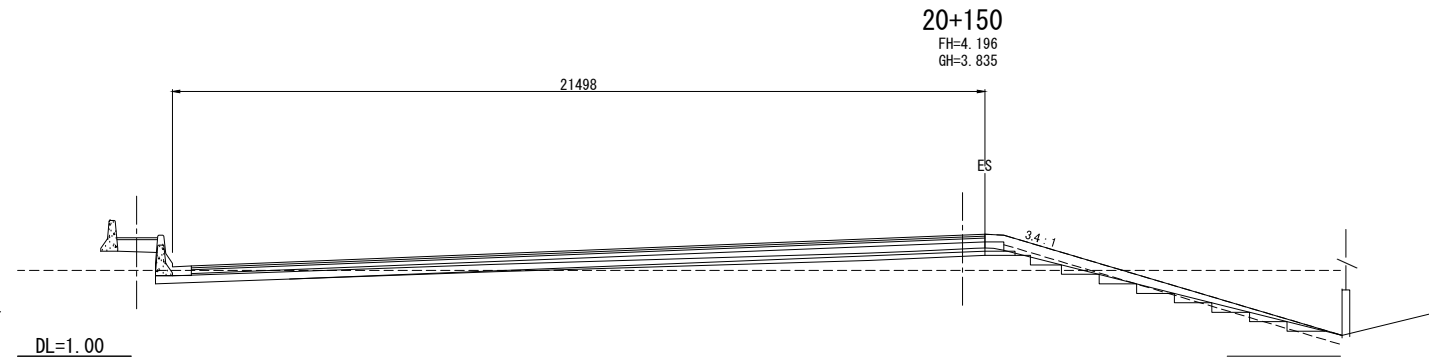
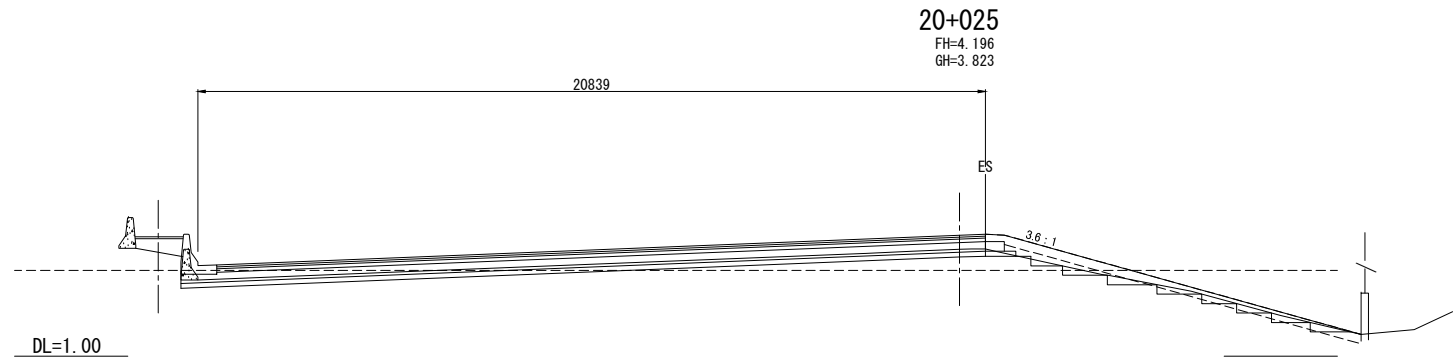
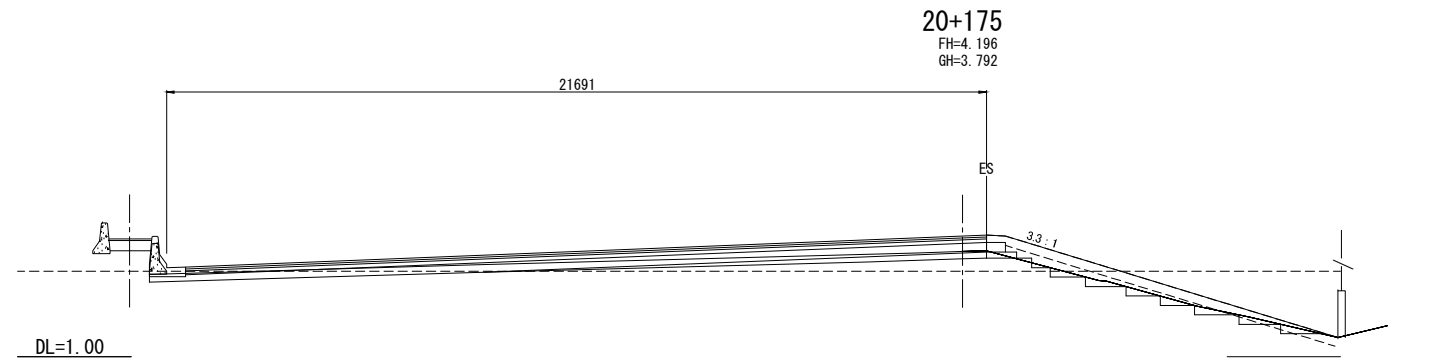
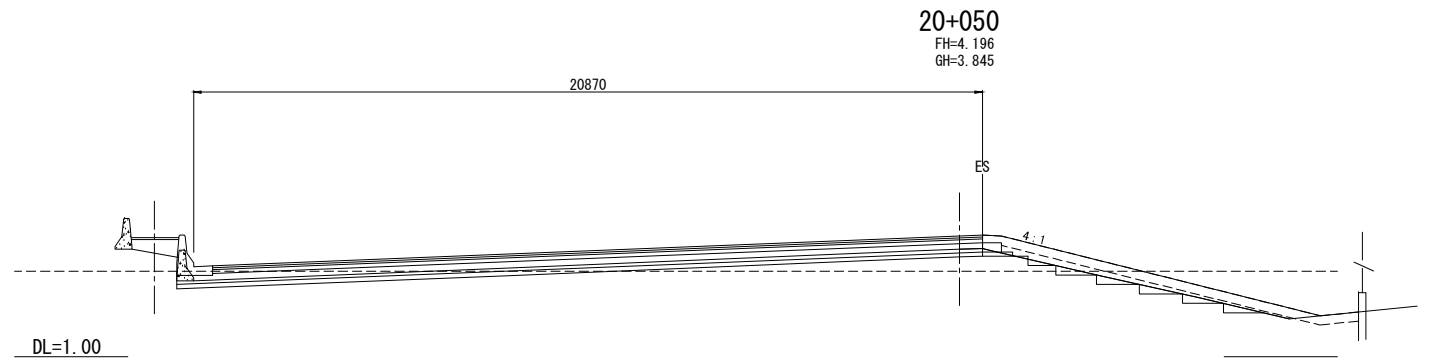
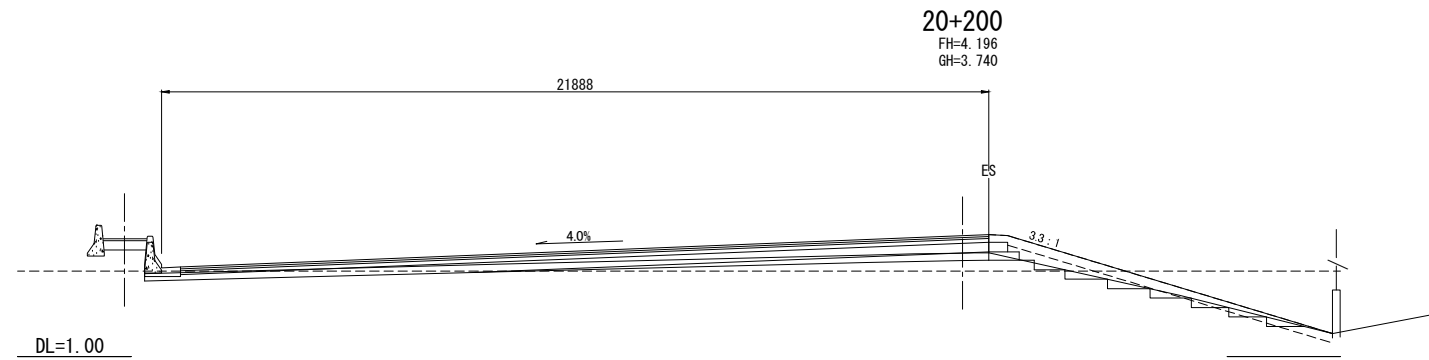
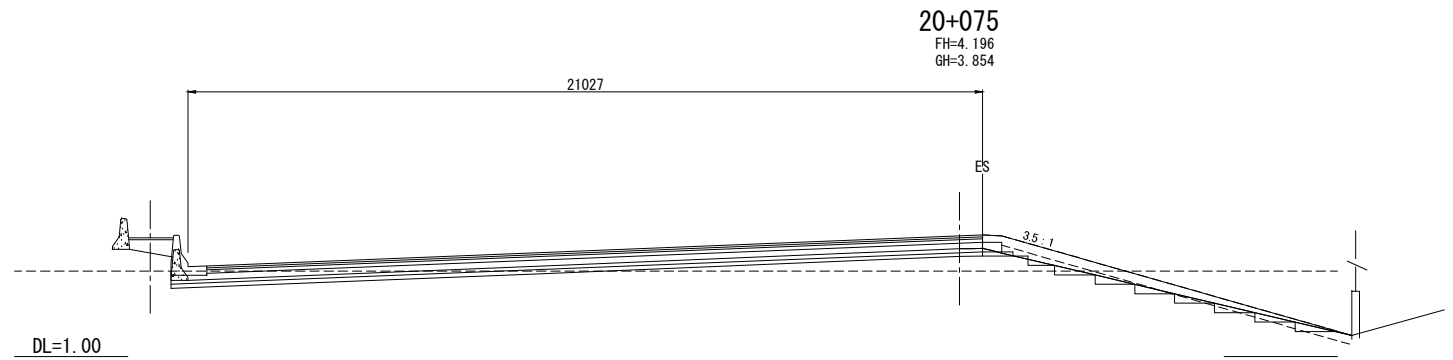
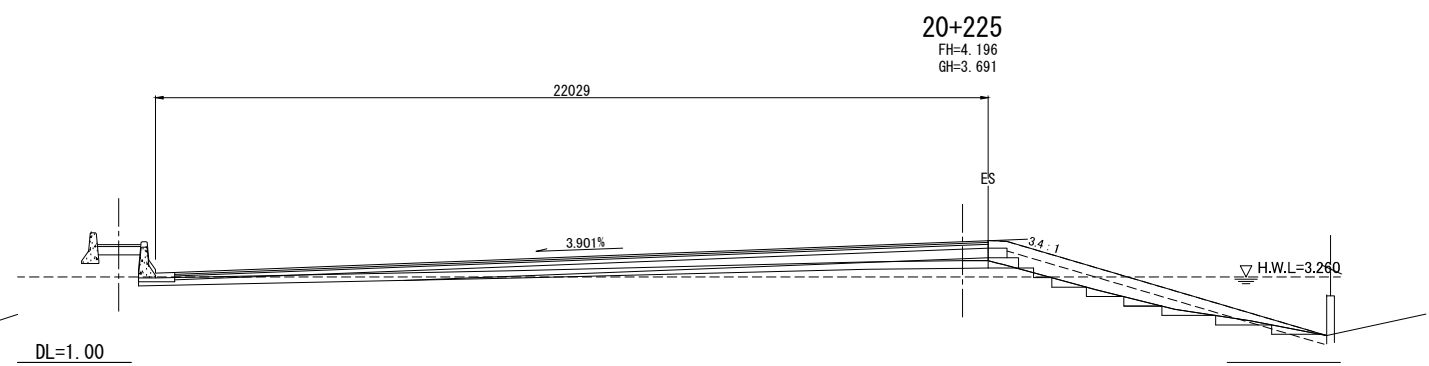
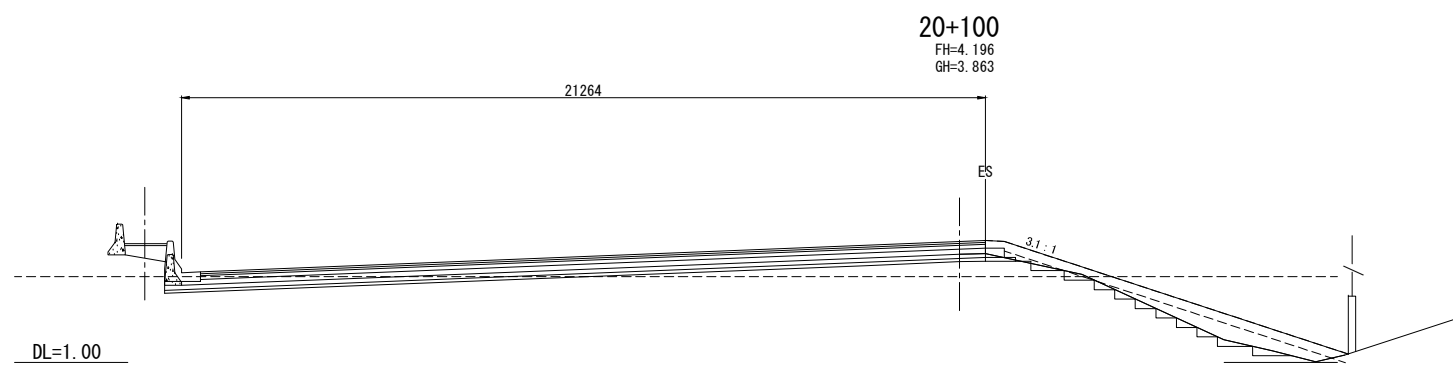
REV. NO.	DESCRIPTION	ENGINEER		DOH		REV. NO.	APPROVED BY	KINGDOM OF THAILAND MINISTRY OF TRANSPORT DEPARTMENT OF HIGHWAYS	HIGHWAY ROUTE NO. 9 The Preparatory Survey on the Rehabilitation Project of the Outer Bangkok Ring Road	OWNER The Inter-City Motorways Division Department of Highways Ministry of Transport	PROJECT TITLE	CTI ENGINEERING INTERNATIONAL CO., LTD. ORIENTAL CONSULTANTS CO., LTD. NIPPON KOEI CO., LTD. CTI ENGINEERING CO., LTD.	DESIGNED BY SAGARA Hidetaka ROAD ENGINEER	CHECKED BY WATANABE Ryohei CHIEF ENGINEER	DATE:	SCALE:
		CHECKED	DATE	CHECKED	DATE										AUGUST 2012	SCALE 1:100
															DWG. NO. MW-89	SHEET NO. 94



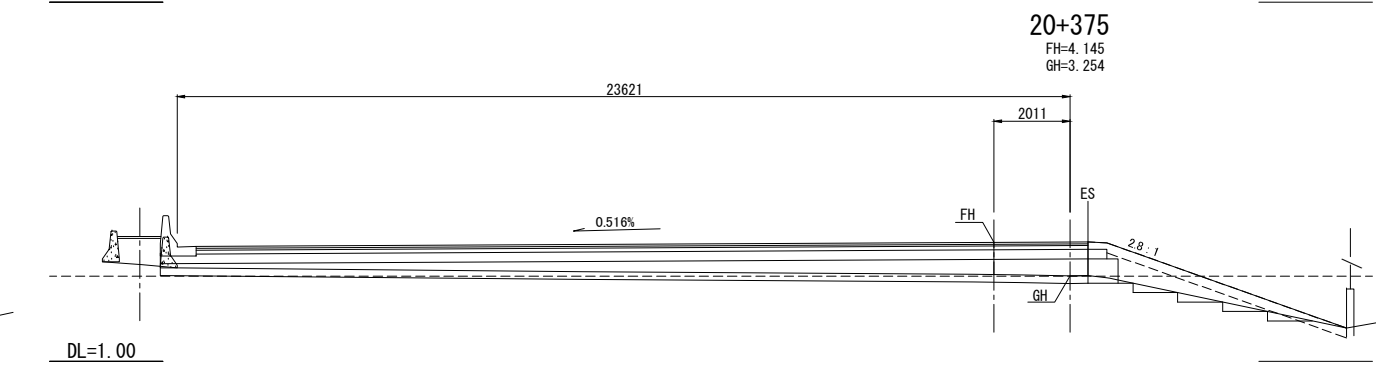
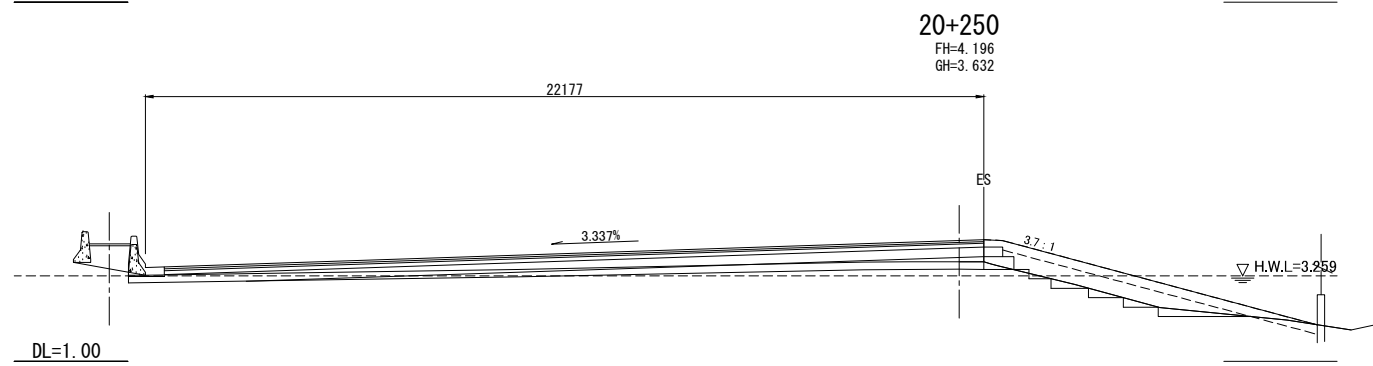
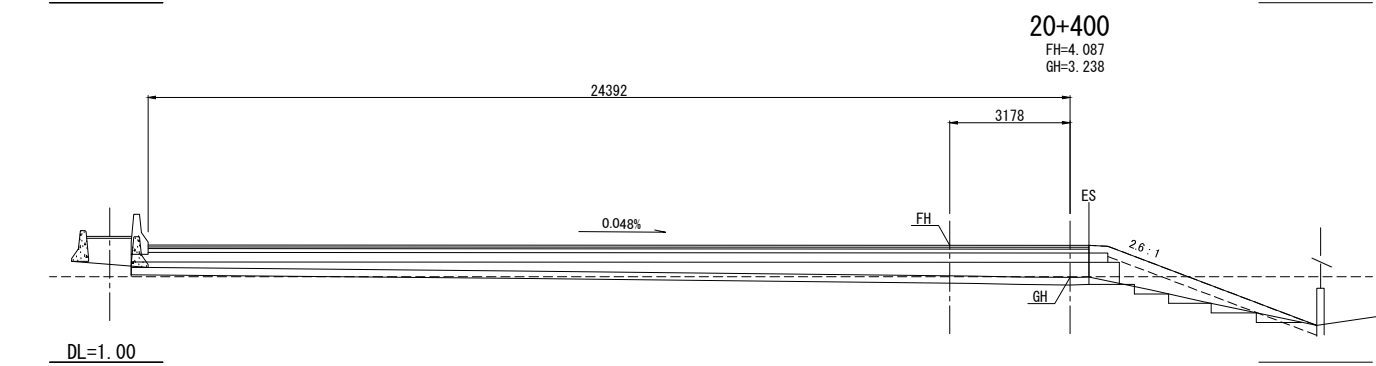
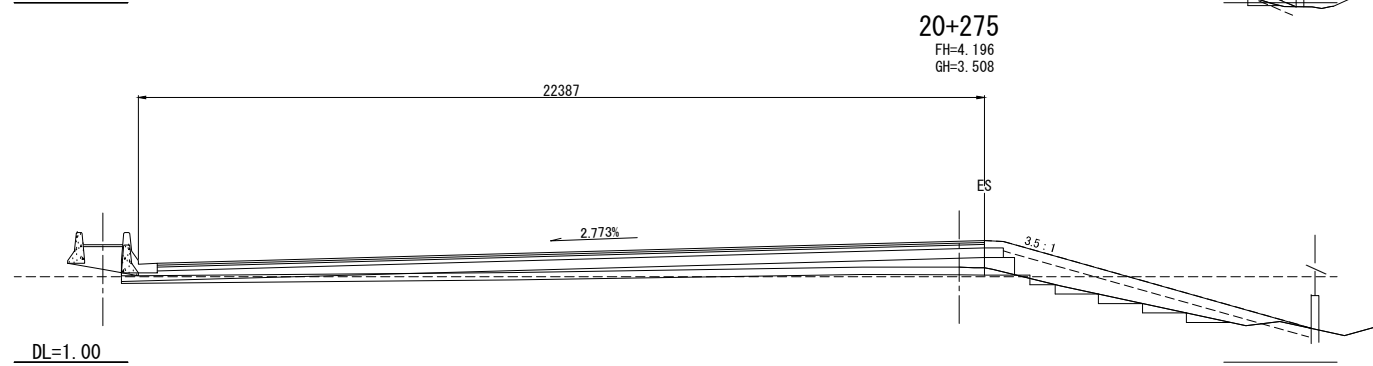
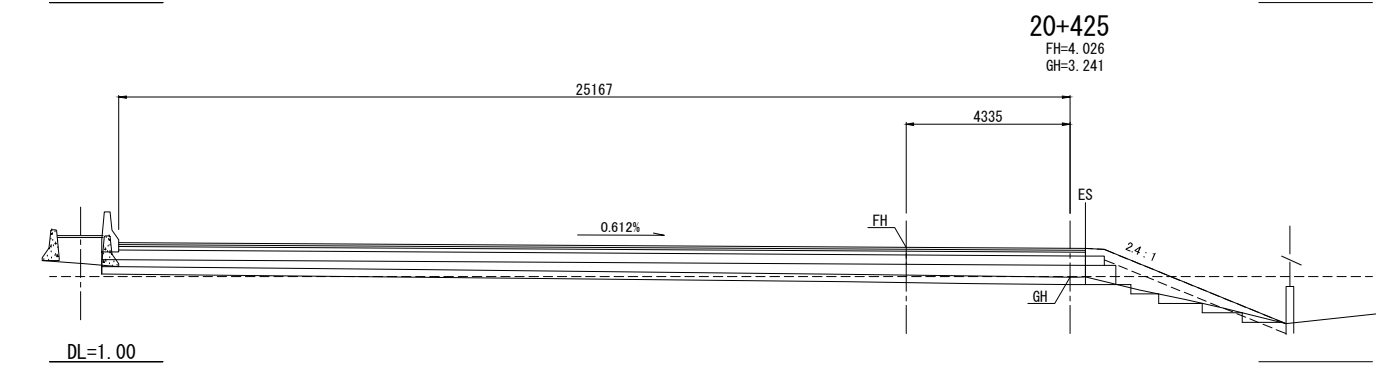
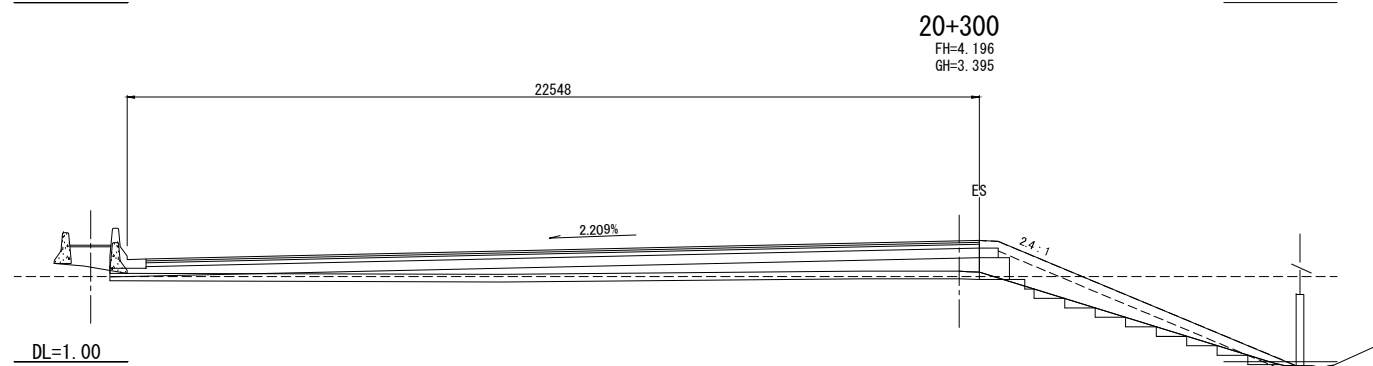
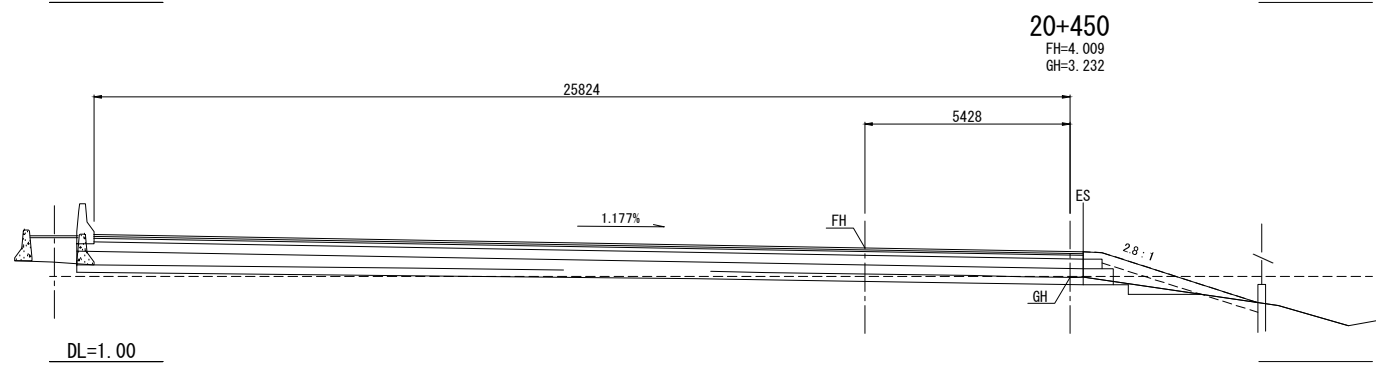
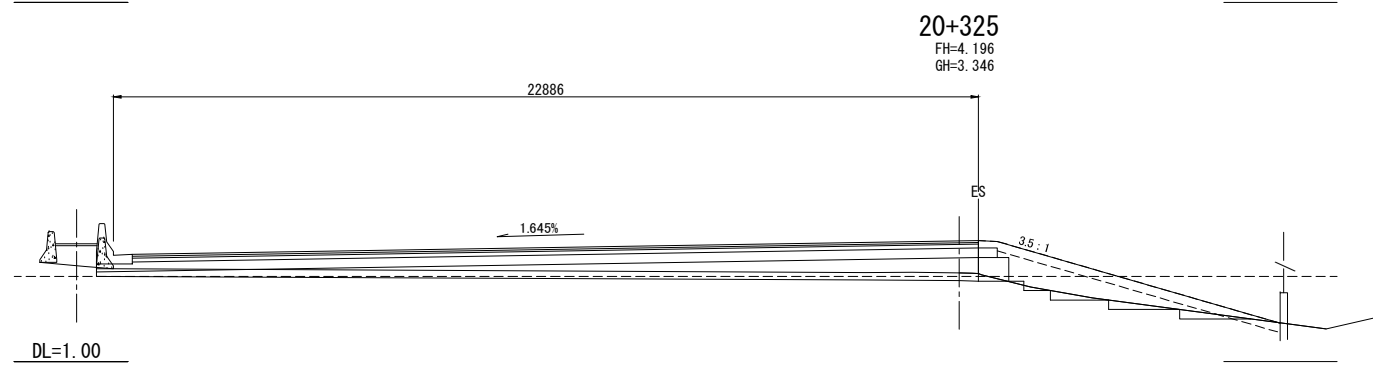
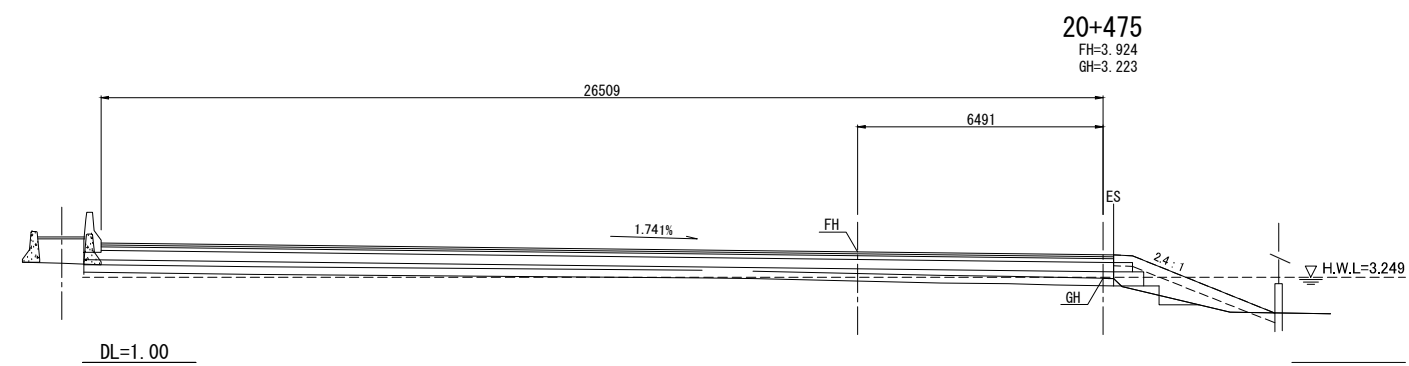
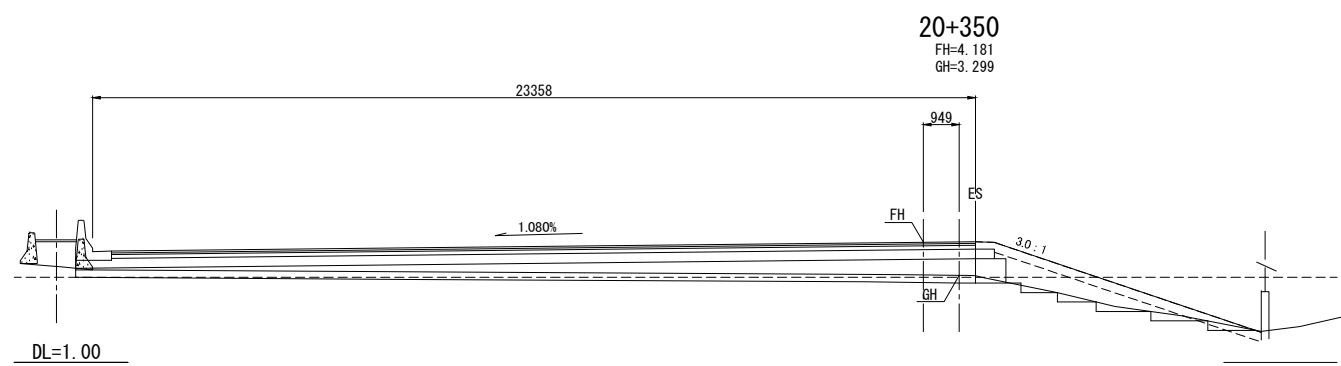
REV. NO.	DESCRIPTION	ENGINEER		DOH		REV. NO.	APPROVED BY	KINGDOM OF THAILAND MINISTRY OF TRANSPORT DEPARTMENT OF HIGHWAYS	HIGHWAY ROUTE NO. 9 The Preparatory Survey on the Rehabilitation Project of the Outer Bangkok Ring Road	OWNER The Inter-City Motorways Division Department of Highways Ministry of Transport	PROJECT TITLE	CTI ENGINEERING INTERNATIONAL CO., LTD. ORIENTAL CONSULTANTS CO., LTD. NIPPON KOEI CO., LTD. CTI ENGINEERING CO., LTD.	DESIGNED BY	CHECKED BY	DATE	SCALE
		CHECKED	DATE	CHECKED	DATE								SAGARA Hidetaka ROAD ENGINEER	WATANABE Ryohei CHIEF ENGINEER	AUGUST 2012	SCALE 1:100
															DWG. NO. MW-90	SHEET NO. 95



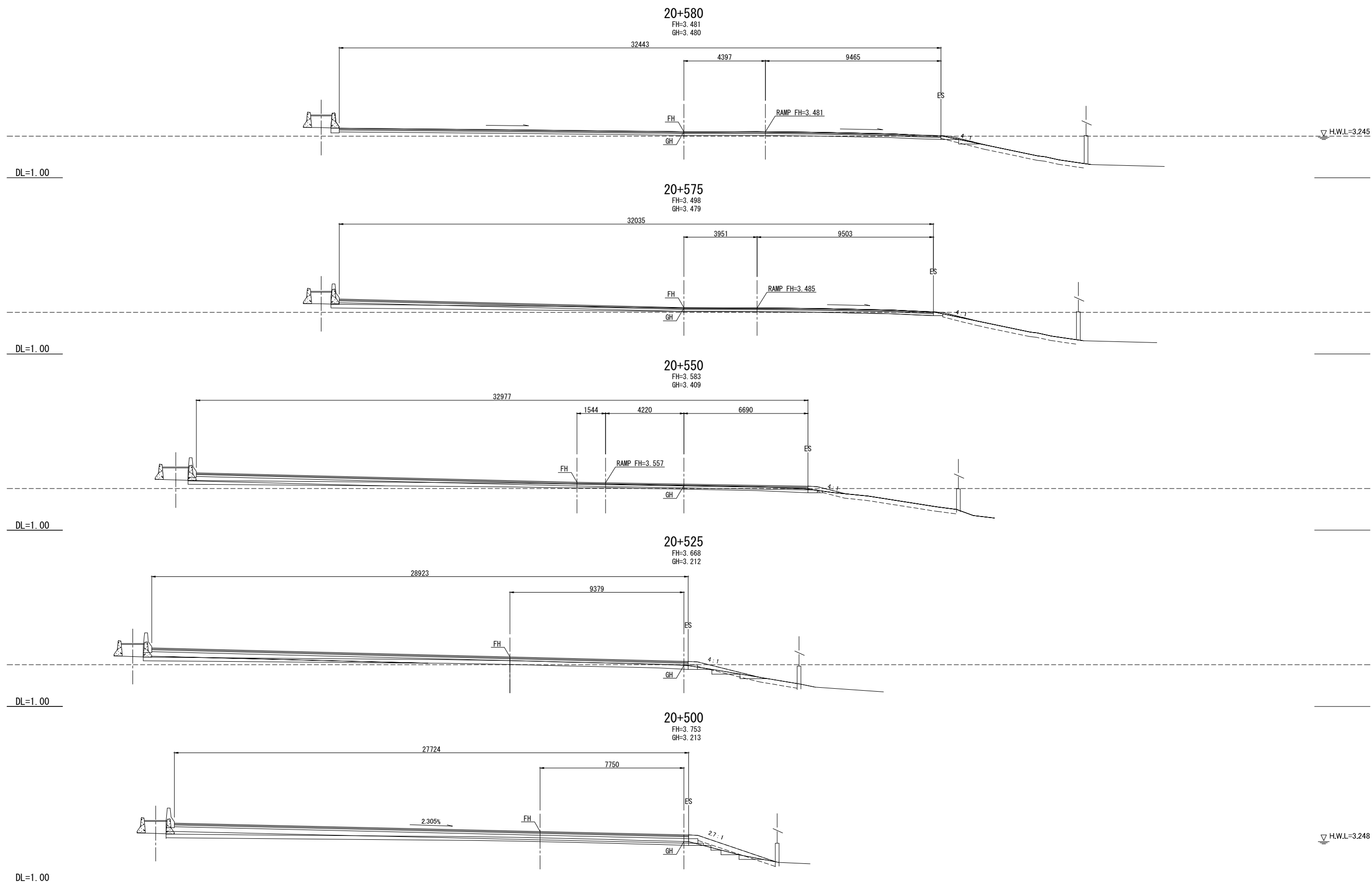
REV. NO.	DESCRIPTION	ENGINEER		DOH		REV. NO.	APPROVED BY	KINGDOM OF THAILAND MINISTRY OF TRANSPORT DEPARTMENT OF HIGHWAYS	HIGHWAY ROUTE NO. 9 The Preparatory Survey on the Rehabilitation Project of the Outer Bangkok Ring Road	OWNER The Inter-City Motorways Division Department of Highways Ministry of Transport	PROJECT TITLE	CTI ENGINEERING INTERNATIONAL CO., LTD. ORIENTAL CONSULTANTS CO., LTD. NIPPON KOEI CO., LTD. CTI ENGINEERING CO., LTD.	DESIGNED BY	CHECKED BY	DATE:	SCALE:
		CHECKED	DATE	CHECKED	DATE								SAGARA Hidetaka ROAD ENGINEER	WATANABE Ryohei CHIEF ENGINEER	AUGUST 2012	SCALE 1:100
															DWG. NO. MW-91	SHEET NO. 96



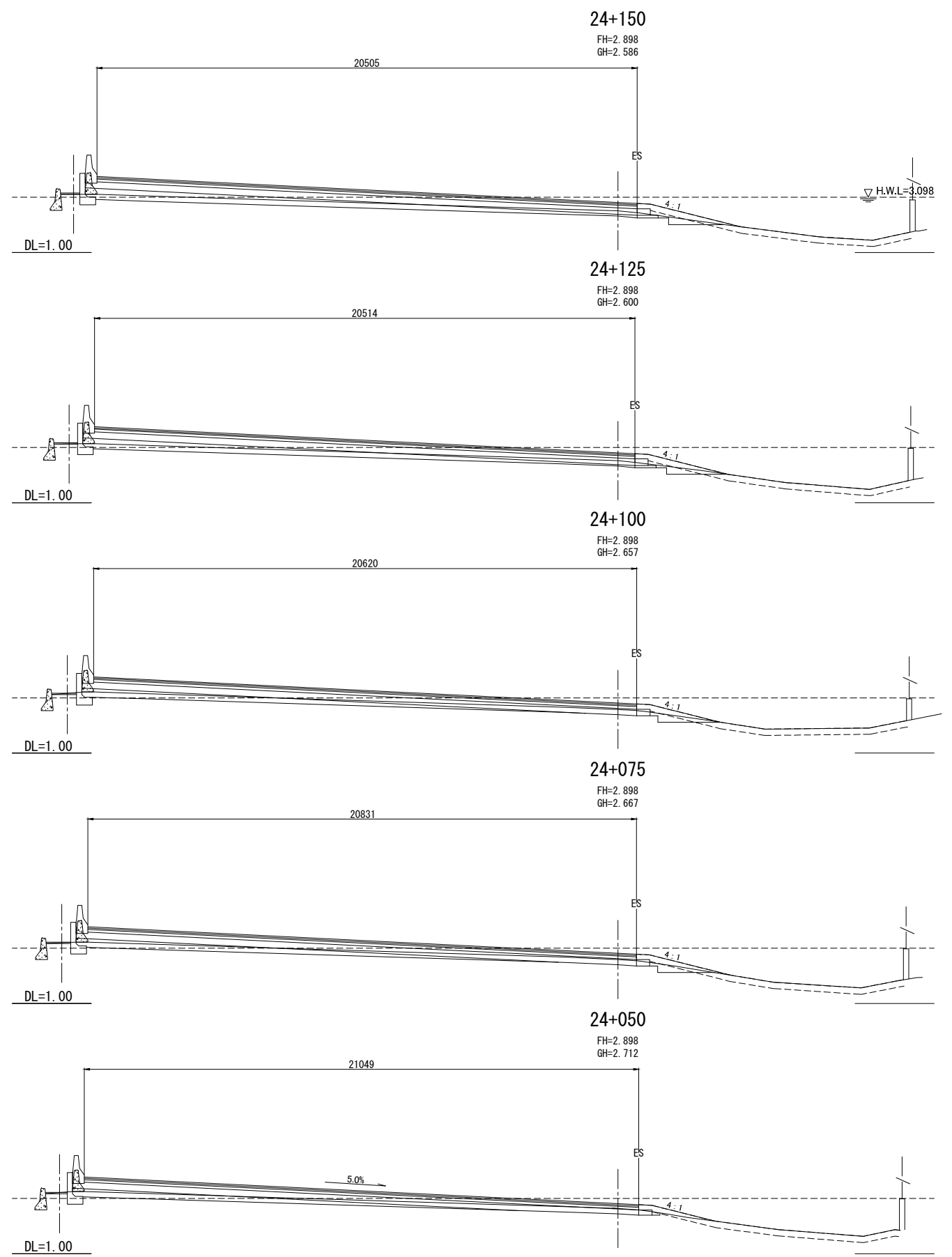
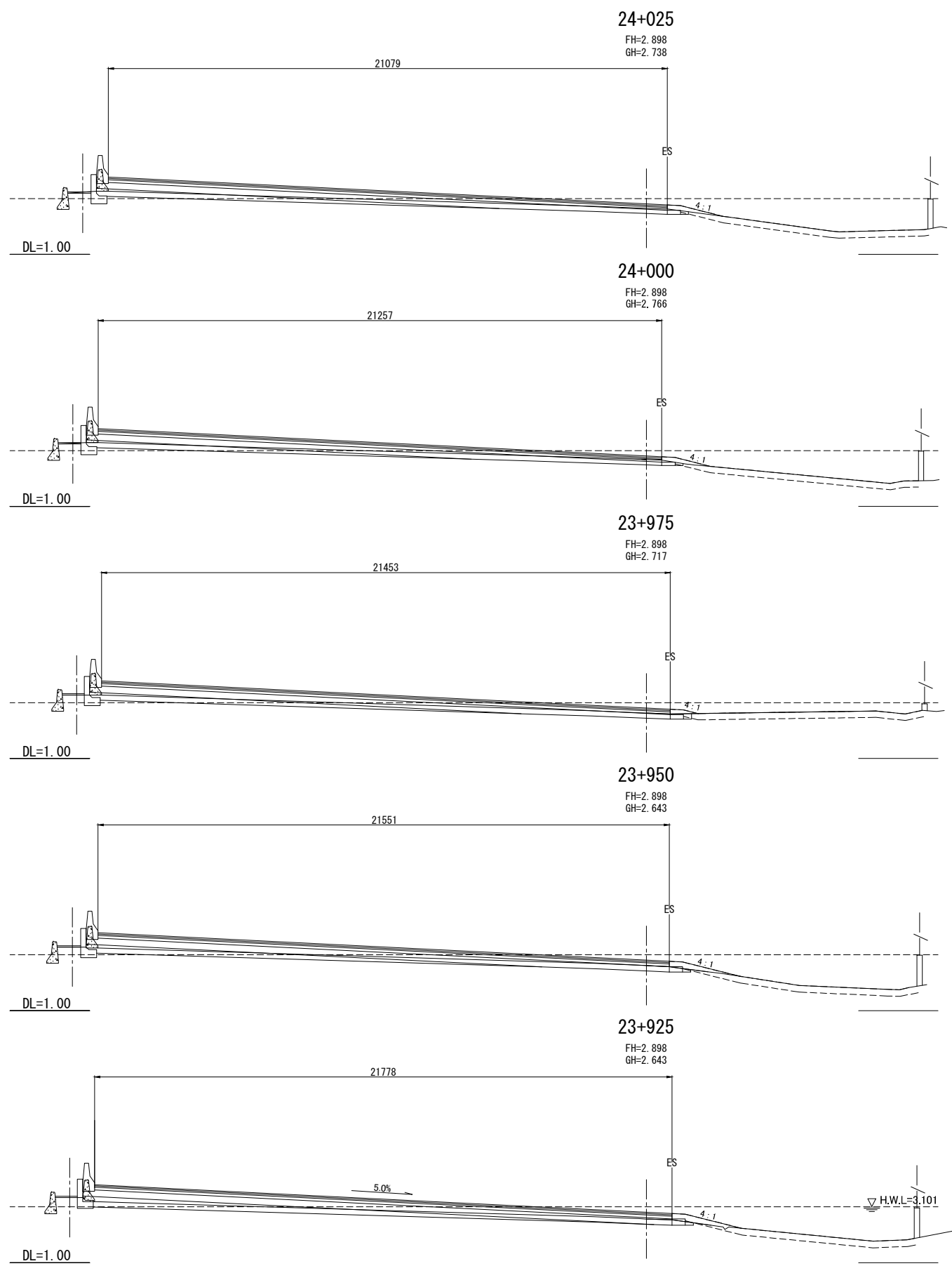
REV. NO.	DESCRIPTION	ENGINEER		DOH		REV. NO.	APPROVED BY	KINGDOM OF THAILAND MINISTRY OF TRANSPORT DEPARTMENT OF HIGHWAYS	HIGHWAY ROUTE NO. 9	OWNER The Inter-City Motorways Division Department of Highways Ministry of Transport	PROJECT TITLE The Preparatory Survey on the Rehabilitation Project of the Outer Bangkok Ring Road	DESIGNED BY SAGARA Hidetaka ROAD ENGINEER	CHECKED BY WATANABE Ryohei CHIEF ENGINEER	DATE :	SCALE :
		CHECKED	DATE	CHECKED	DATE									AUGUST 2012	SCALE 1:100
														DWG. NO. MW-92	SHEET NO. 97



REV. NO.	DESCRIPTION	ENGINEER CHECKED DATE	DOH CHECKED DATE	REV. NO.	APPROVED BY	<p>KINGDOM OF THAILAND MINISTRY OF TRANSPORT DEPARTMENT OF HIGHWAYS</p>	HIGHWAY ROUTE NO. 9	OWNER The Inter-City Motorways Division Department of Highways Ministry of Transport	PROJECT TITLE The Preparatory Survey on the Rehabilitation Project of the Outer Bangkok Ring Road		DESIGNED BY SAGARA Hidetaka ROAD ENGINEER	CHECKED BY WATANABE Ryohei CHIEF ENGINEER	DATE AUGUST 2012	SCALE SCALE 1:100
							CROSS SECTIONS (42 / 70)							DWG. NO. MW-93

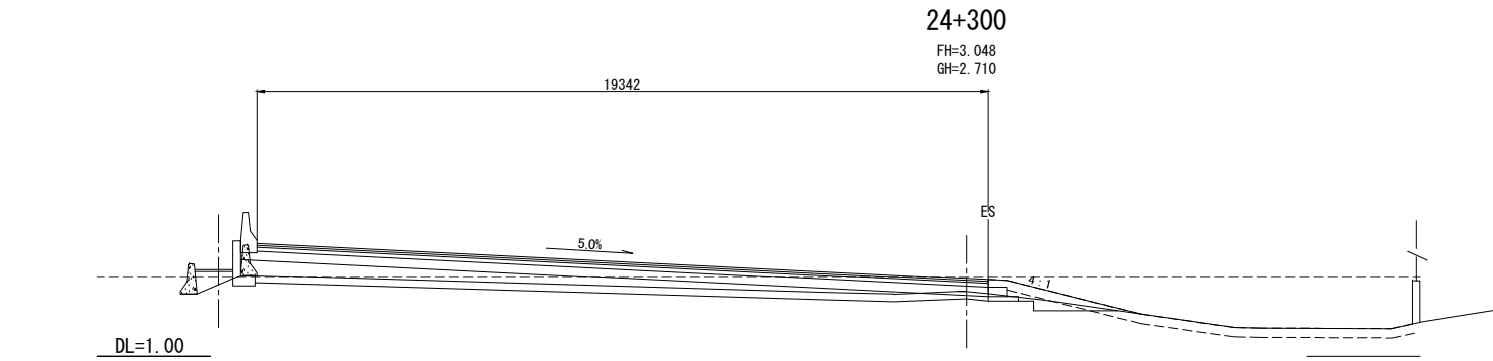
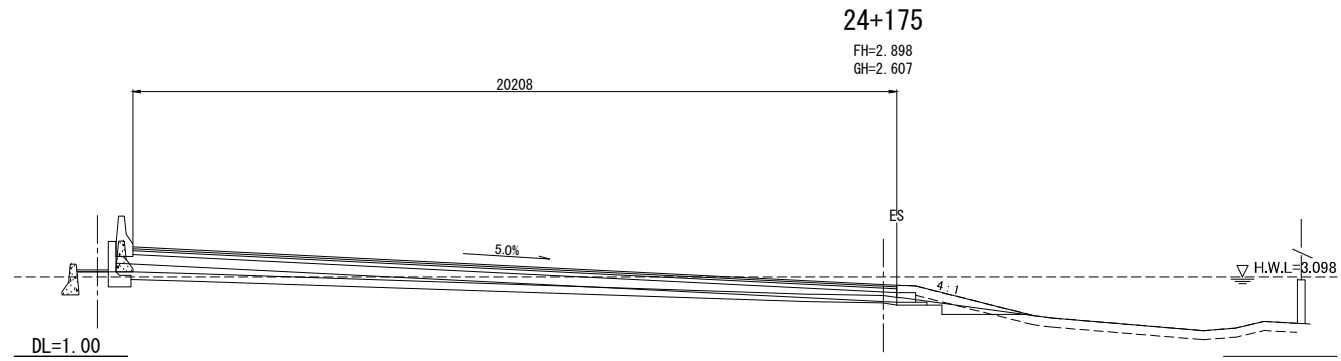
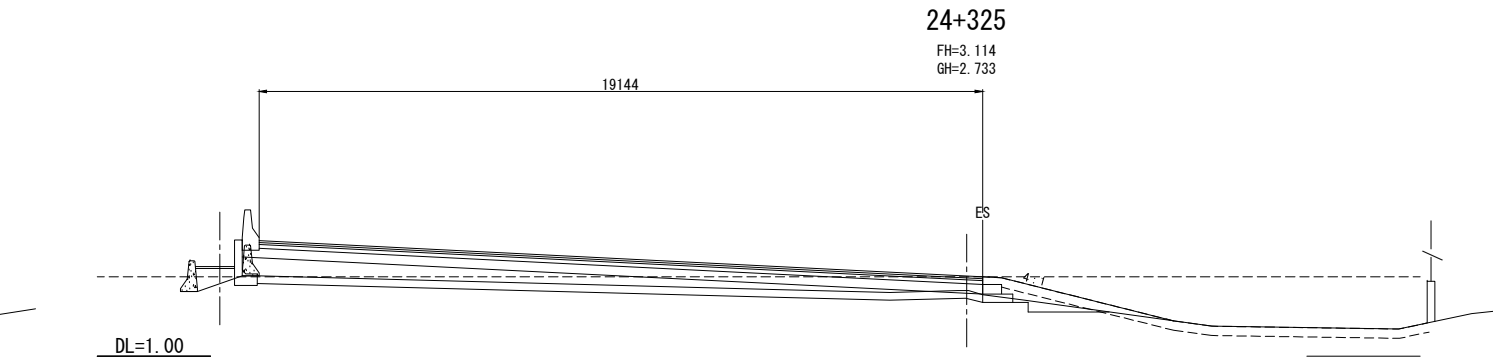
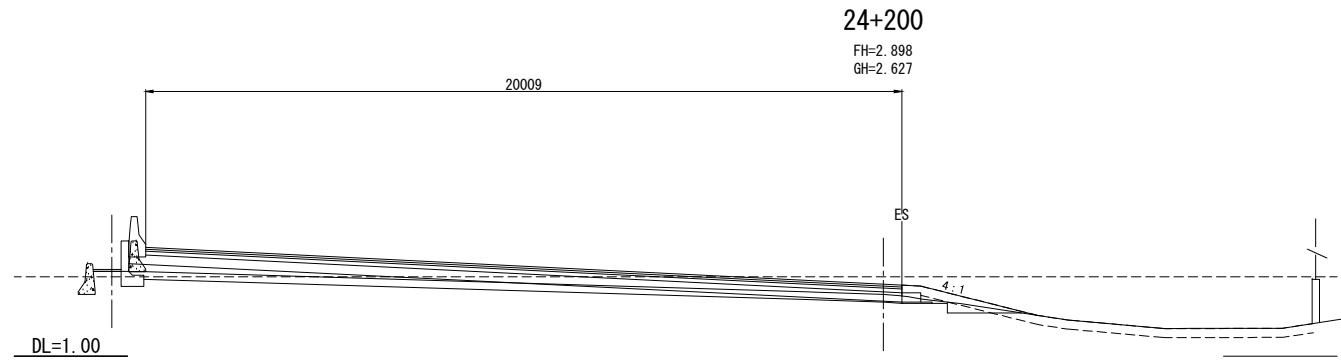
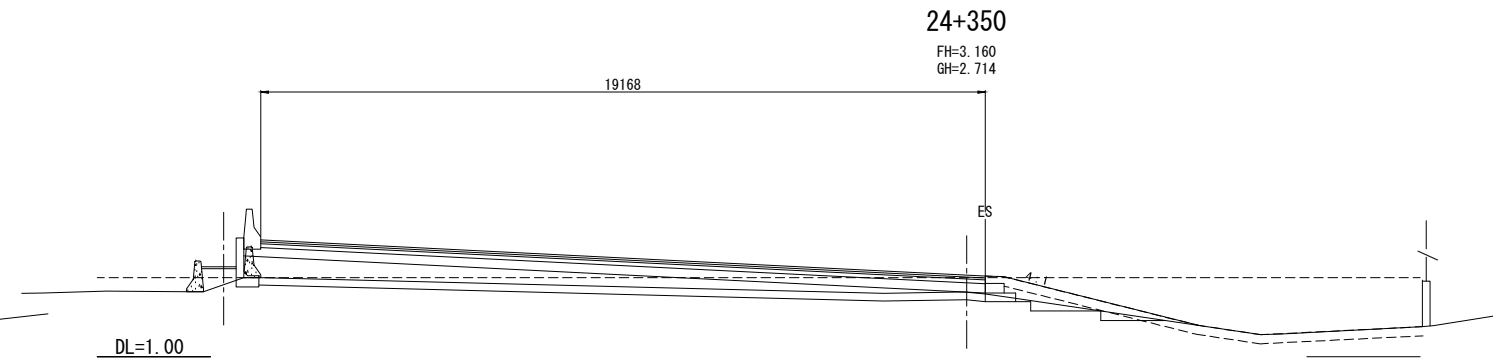
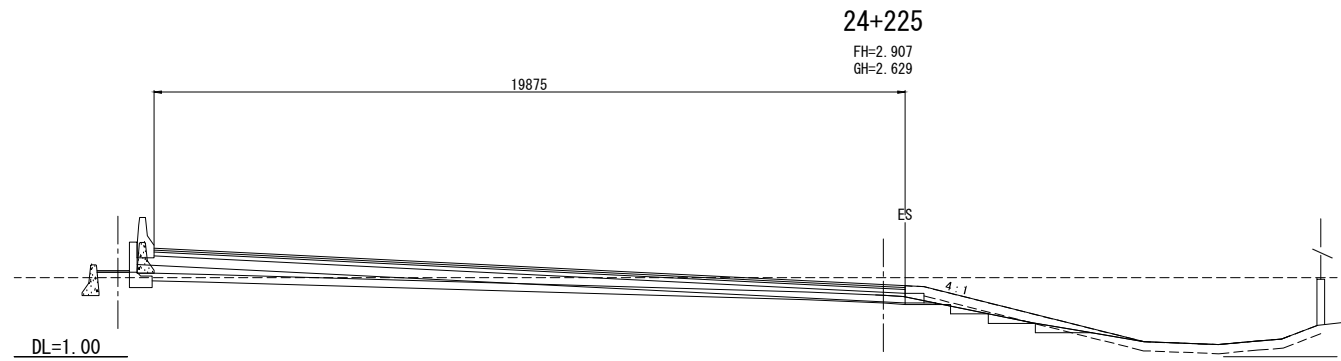
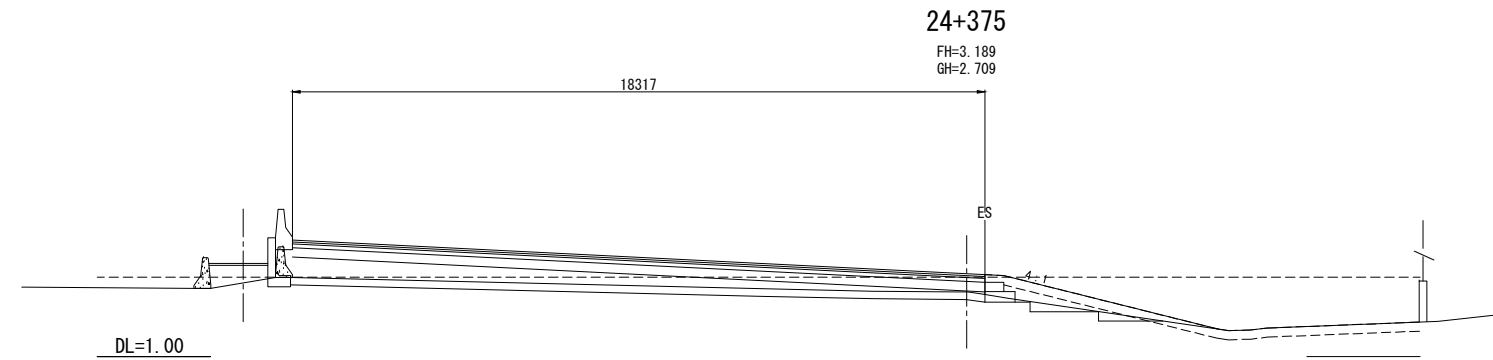
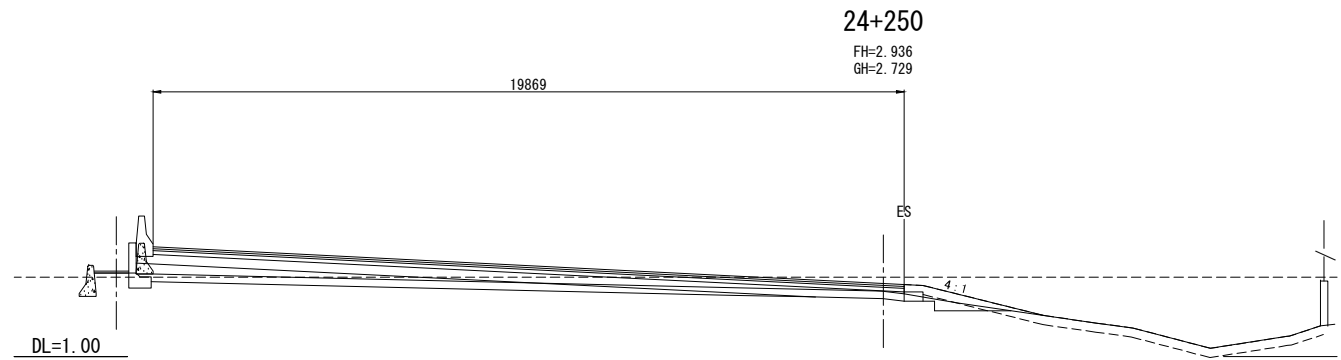
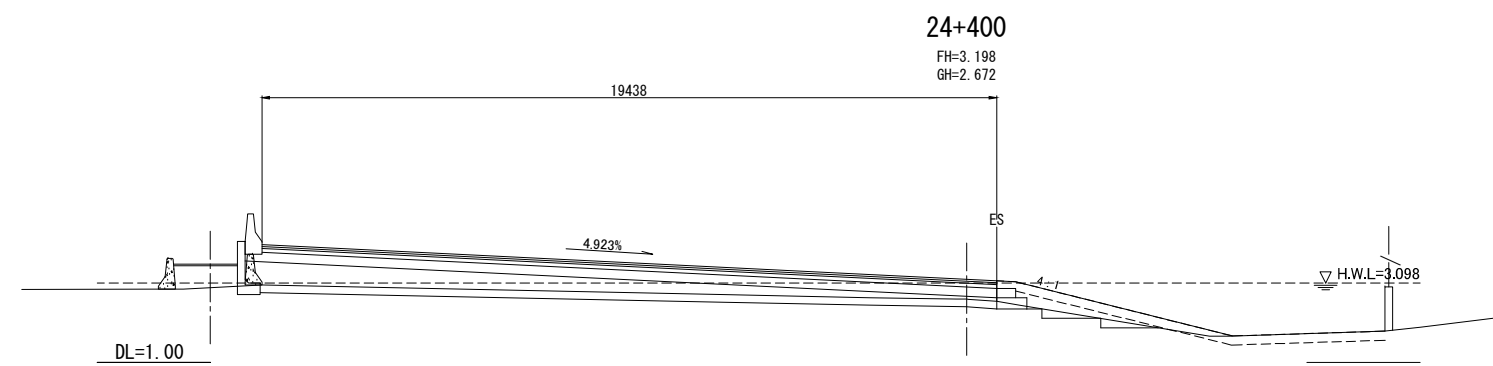
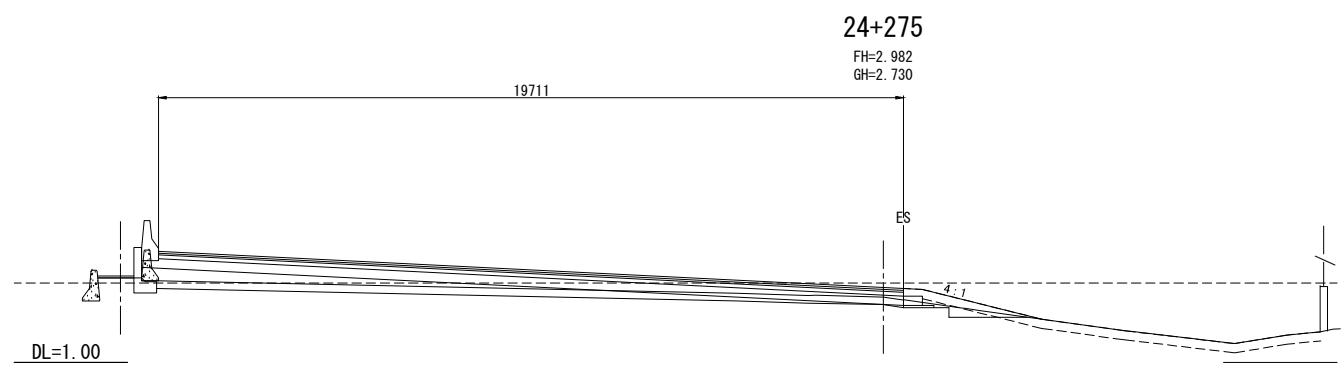


REV. NO.	DESCRIPTION	ENGINEER		DOH		REV. NO.	APPROVED BY	KINGDOM OF THAILAND MINISTRY OF TRANSPORT DEPARTMENT OF HIGHWAYS	HIGHWAY ROUTE NO. 9	OWNER The Inter-City Motorways Division Department of Highways Ministry of Transport	PROJECT TITLE The Preparatory Survey on the Rehabilitation Project of the Outer Bangkok Ring Road	DESIGNED BY SAGARA Hidetaka ROAD ENGINEER	CHECKED BY WATANABE Ryohei CHIEF ENGINEER	DATE :	SCALE :
		CHECKED	DATE	CHECKED	DATE									AUGUST 2012	SCALE 1:100
														DWG. NO. MW-94	SHEET NO. 99

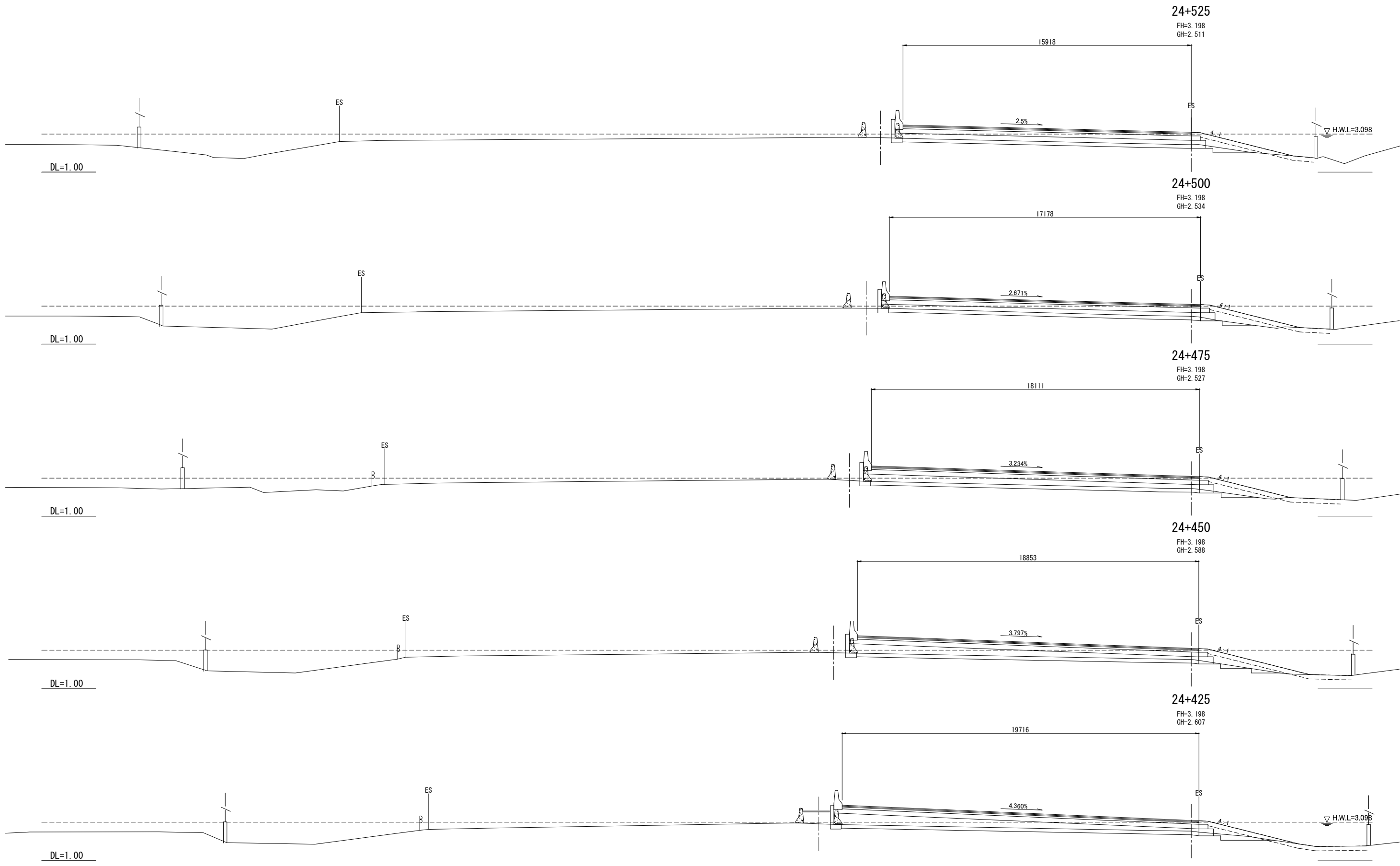


REV. NO.	DESCRIPTION	ENGINEER		DOH		REV. NO.	APPROVED BY	KINGDOM OF THAILAND MINISTRY OF TRANSPORT DEPARTMENT OF HIGHWAYS	HIGHWAY ROUTE NO. 9 CROSS SECTIONS (45 / 70)	OWNER The Inter-City Motorways Division Department of Highways Ministry of Transport	PROJECT TITLE The Preparatory Survey on the Rehabilitation Project of the Outer Bangkok Ring Road	DESIGNED BY SAGARA Hidetaka ROAD ENGINEER	CHECKED BY WATANABE Ryohei CHIEF ENGINEER	DATE :	SCALE :
		CHECKED	DATE	CHECKED	DATE									AUGUST 2012	SCALE 1:100
														DWG. NO. MW-96	SHEET NO. 101

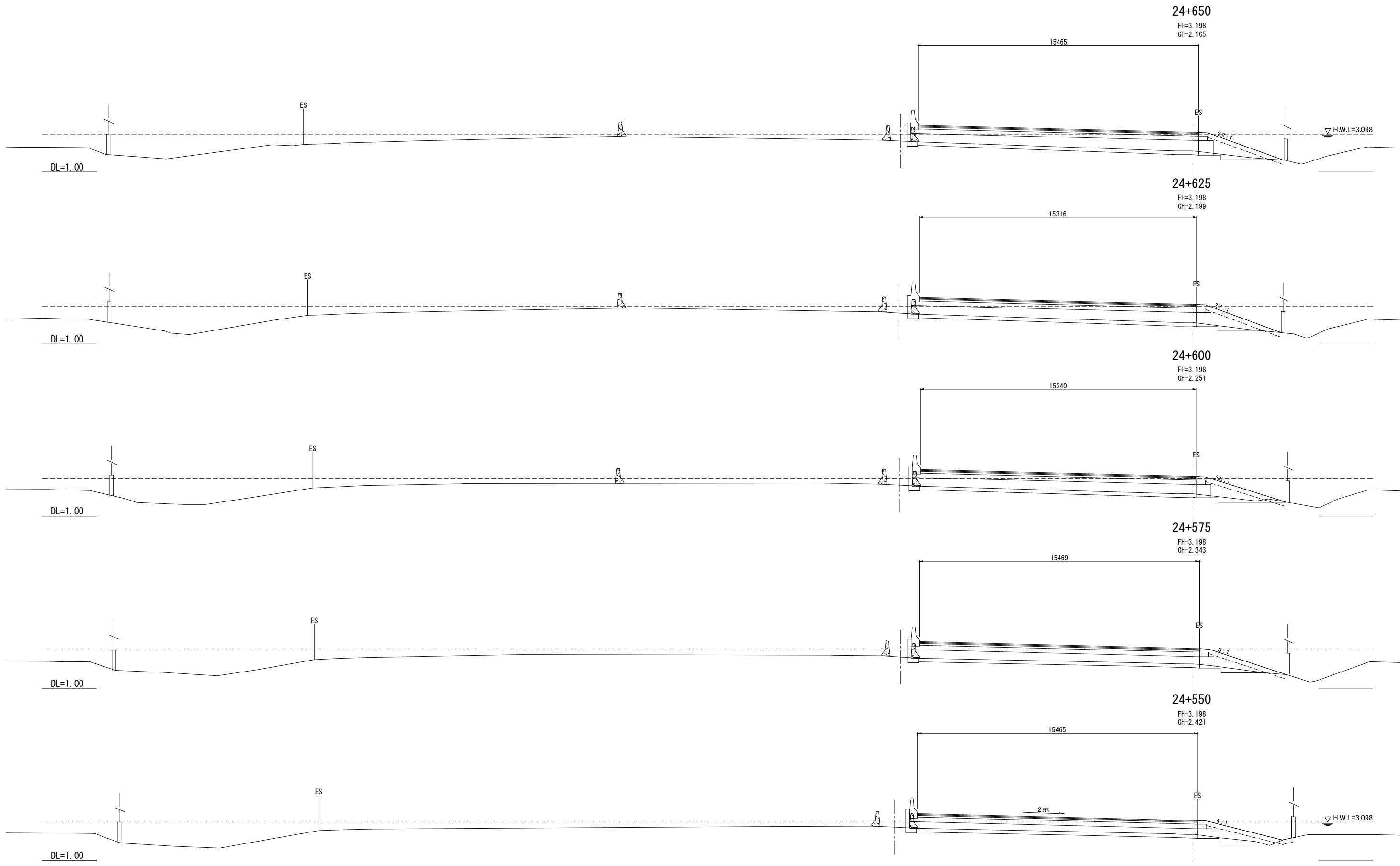
CTI ENGINEERING INTERNATIONAL CO., LTD.
ORIENTAL CONSULTANTS CO., LTD.
NIPPON KOEI CO., LTD.
CTI ENGINEERING CO., LTD.



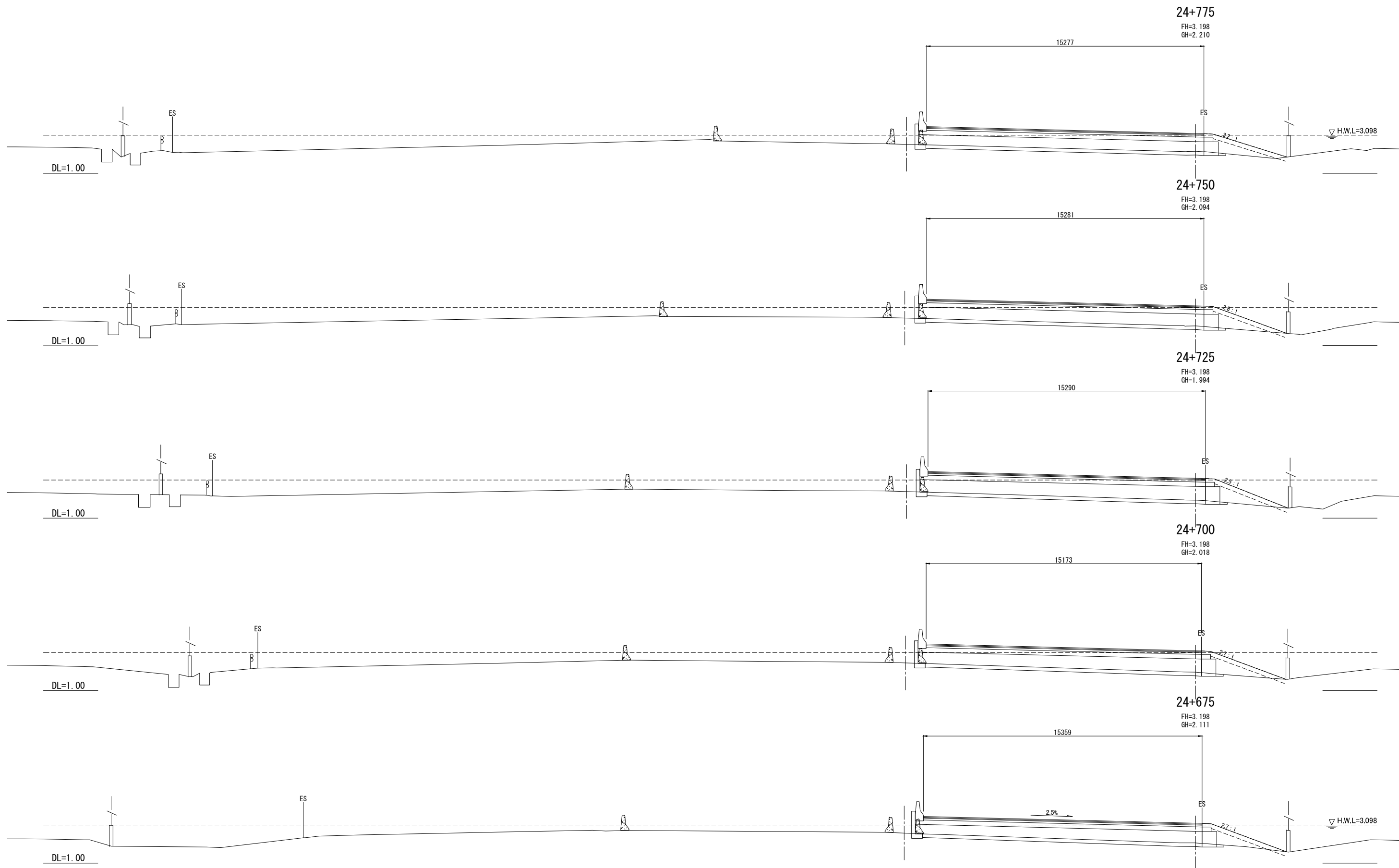
REV. NO.	DESCRIPTION	ENGINEER		DOH		REV. NO.	APPROVED BY	KINGDOM OF THAILAND MINISTRY OF TRANSPORT DEPARTMENT OF HIGHWAYS	HIGHWAY ROUTE NO. 9	OWNER The Inter-City Motorways Division Department of Highways Ministry of Transport	PROJECT TITLE The Preparatory Survey on the Rehabilitation Project of the Outer Bangkok Ring Road	DESIGNED BY SAGARA Hidetaka ROAD ENGINEER	CHECKED BY WATANABE Ryohei CHIEF ENGINEER	DATE:	SCALE:
		CHECKED	DATE	CHECKED	DATE									AUGUST 2012	SCALE 1:100
														DWG. NO. MW-97	SHEET NO. 102



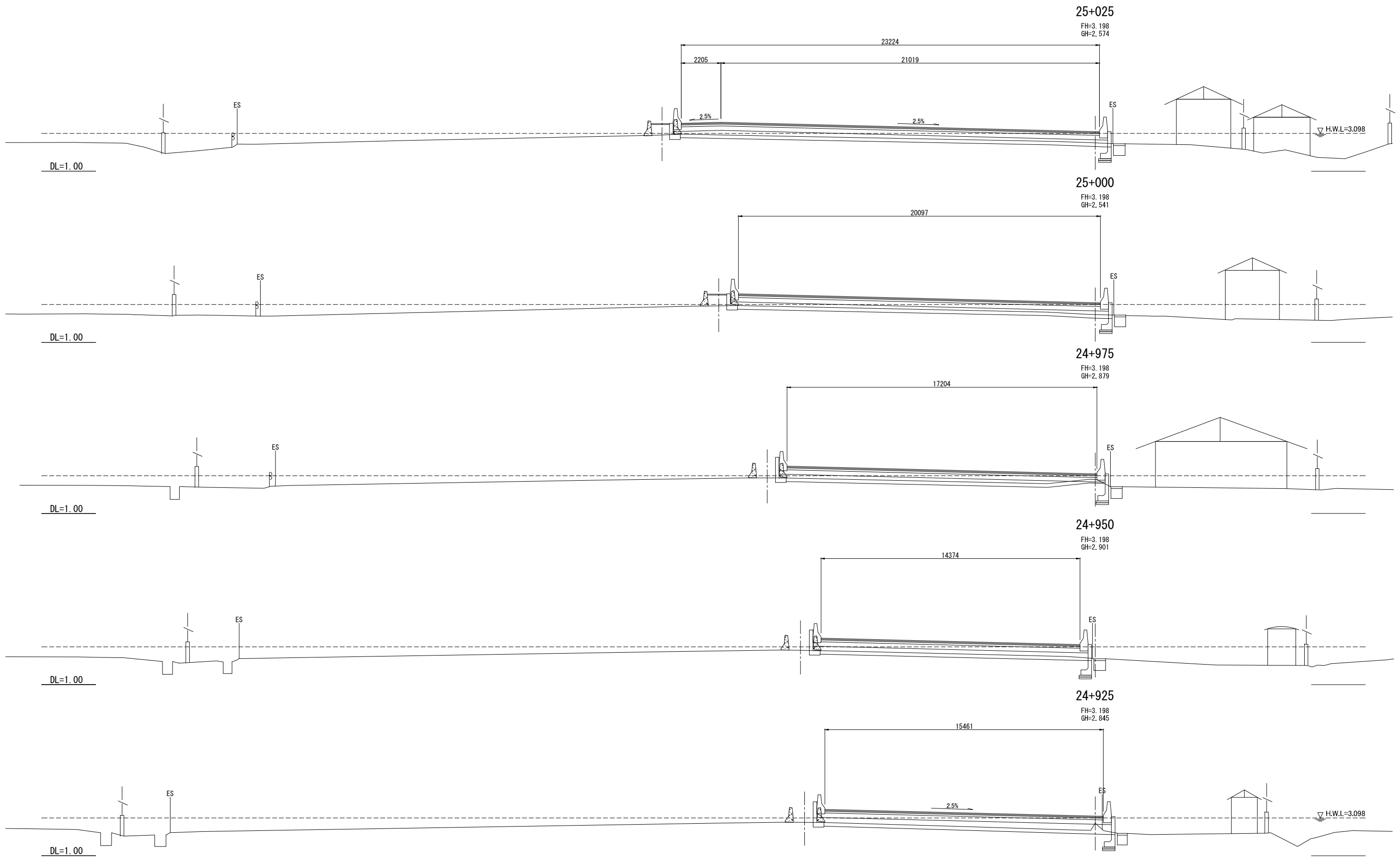
REV. NO.	DESCRIPTION	ENGINEER		DOH		REV. NO.	APPROVED BY	KINGDOM OF THAILAND MINISTRY OF TRANSPORT DEPARTMENT OF HIGHWAYS	HIGHWAY ROUTE NO. 9	OWNER The Inter-City Motorways Division Department of Highways Ministry of Transport	PROJECT TITLE The Preparatory Survey on the Rehabilitation Project of the Outer Bangkok Ring Road	DESIGNED BY SAGARA Hidetaka ROAD ENGINEER	CHECKED BY WATANABE Ryohei CHIEF ENGINEER	DATE :	SCALE :
		CHECKED	DATE	CHECKED	DATE									AUGUST 2012	SCALE 1:100
														DWG. NO. MW-98	SHEET NO. 103



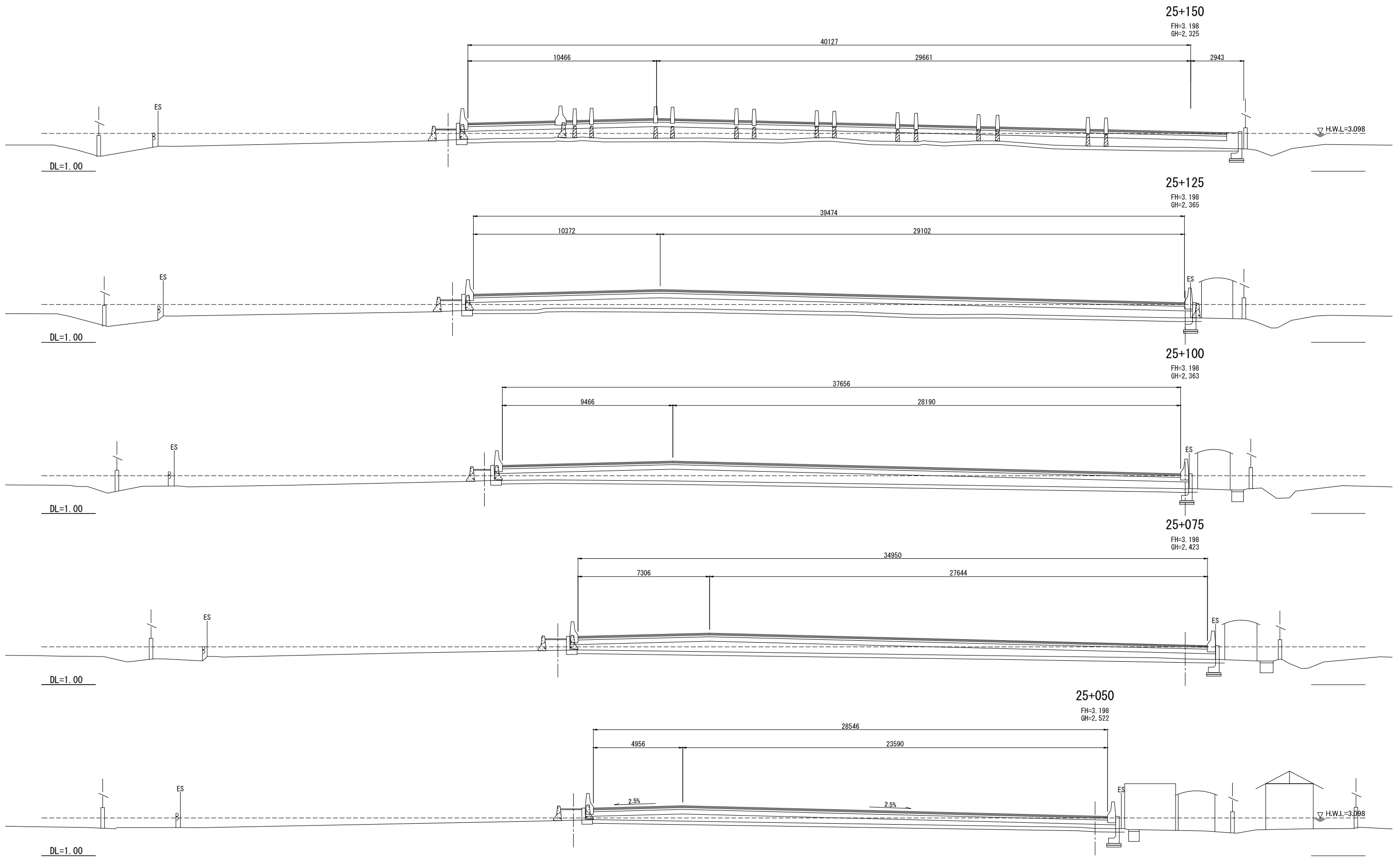
REV. NO.	DESCRIPTION	ENGINEER		DOH		REV. NO.	APPROVED BY	KINGDOM OF THAILAND MINISTRY OF TRANSPORT DEPARTMENT OF HIGHWAYS	HIGHWAY ROUTE NO. 9	OWNER The Inter-City Motorways Division Department of Highways Ministry of Transport	PROJECT TITLE The Preparatory Survey on the Rehabilitation Project of the Outer Bangkok Ring Road	CTI ENGINEERING INTERNATIONAL CO., LTD. ORIENTAL CONSULTANTS CO., LTD. NIPPON KOEI CO., LTD. CTI ENGINEERING CO., LTD.	DESIGNED BY SAGARA Hidetaka ROAD ENGINEER	CHECKED BY WATANABE Ryohei CHIEF ENGINEER	DATE :	SCALE :
		CHECKED	DATE	CHECKED	DATE										AUGUST 2012	SCALE 1:100
															DWG. NO. MW-99	SHEET NO. 104



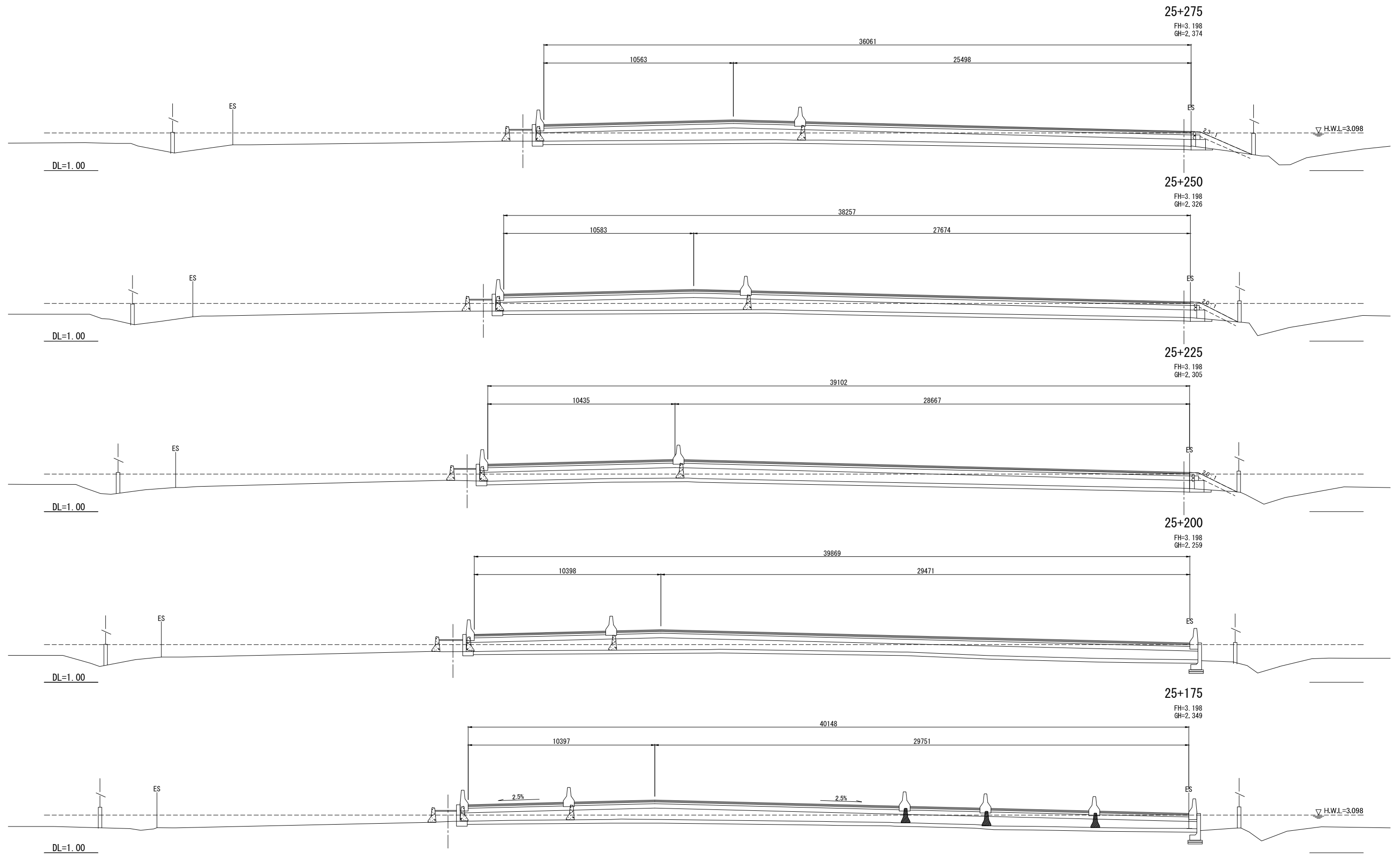
REV. NO.	DESCRIPTION	ENGINEER		DOH		REV. NO.	APPROVED BY	KINGDOM OF THAILAND MINISTRY OF TRANSPORT DEPARTMENT OF HIGHWAYS	HIGHWAY ROUTE NO. 9	OWNER The Inter-City Motorways Division Department of Highways Ministry of Transport	PROJECT TITLE The Preparatory Survey on the Rehabilitation Project of the Outer Bangkok Ring Road	DESIGNED BY SAGARA Hidetaka ROAD ENGINEER	CHECKED BY WATANABE Ryohei CHIEF ENGINEER	DATE:	SCALE:
		CHECKED	DATE	CHECKED	DATE									AUGUST 2012	SCALE 1:100
														DWG. NO. MW-100	SHEET NO. 105



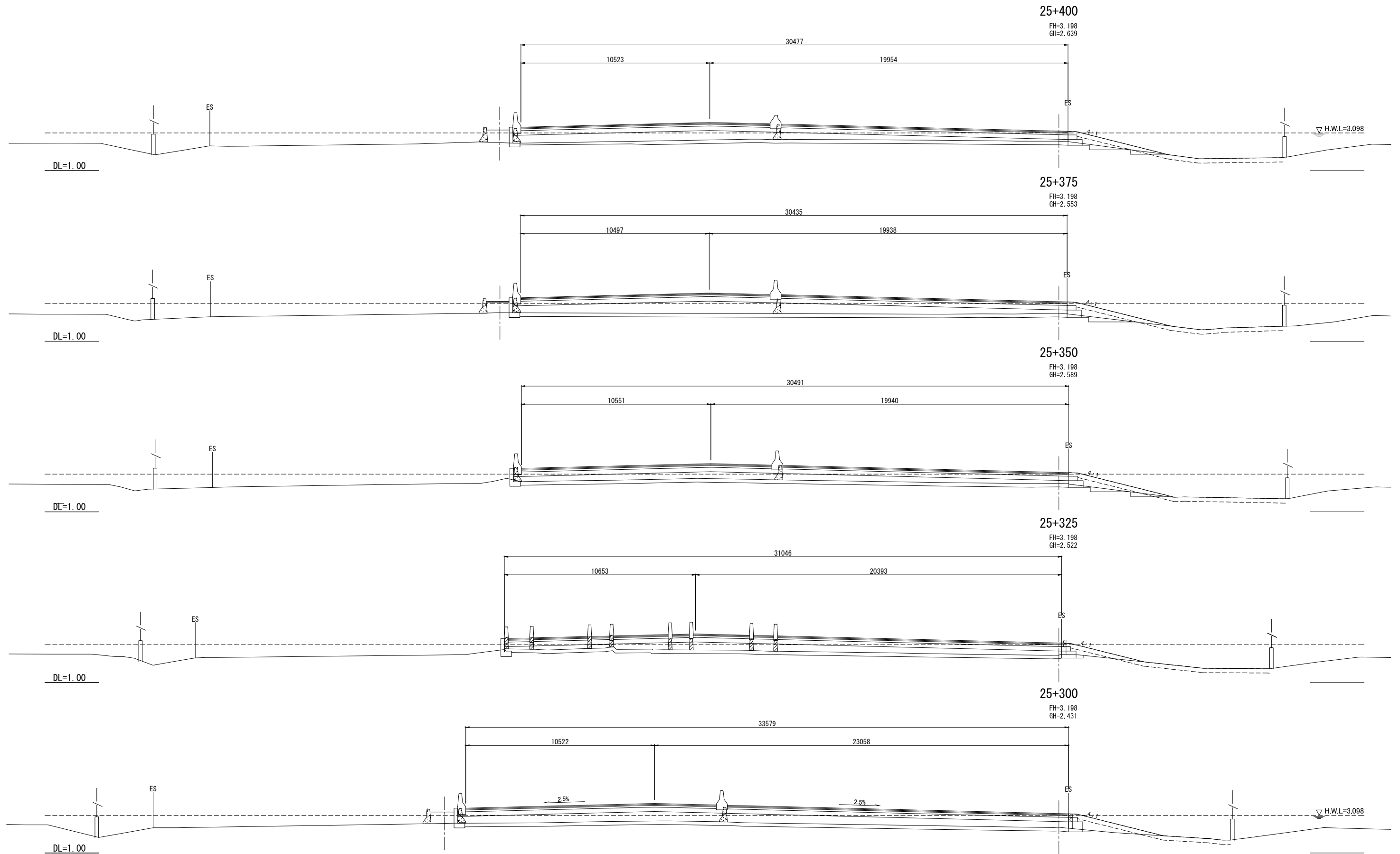
REV. NO.	DESCRIPTION	ENGINEER		DOH		REV. NO.	APPROVED BY	KINGDOM OF THAILAND MINISTRY OF TRANSPORT DEPARTMENT OF HIGHWAYS	HIGHWAY ROUTE NO. 9	OWNER The Inter-City Motorways Division Department of Highways Ministry of Transport	PROJECT TITLE The Preparatory Survey on the Rehabilitation Project of the Outer Bangkok Ring Road	CTI ENGINEERING INTERNATIONAL CO., LTD. ORIENTAL CONSULTANTS CO., LTD. NIPPON KOEI CO., LTD. CTI ENGINEERING CO., LTD.	DESIGNED BY	CHECKED BY	DATE	SCALE
		CHECKED	DATE	CHECKED	DATE								SAGARA Hidetaka ROAD ENGINEER	WATANABE Ryohei CHIEF ENGINEER	AUGUST 2012	SCALE 1:100
															DWG. NO. MW-102	SHEET NO. 107



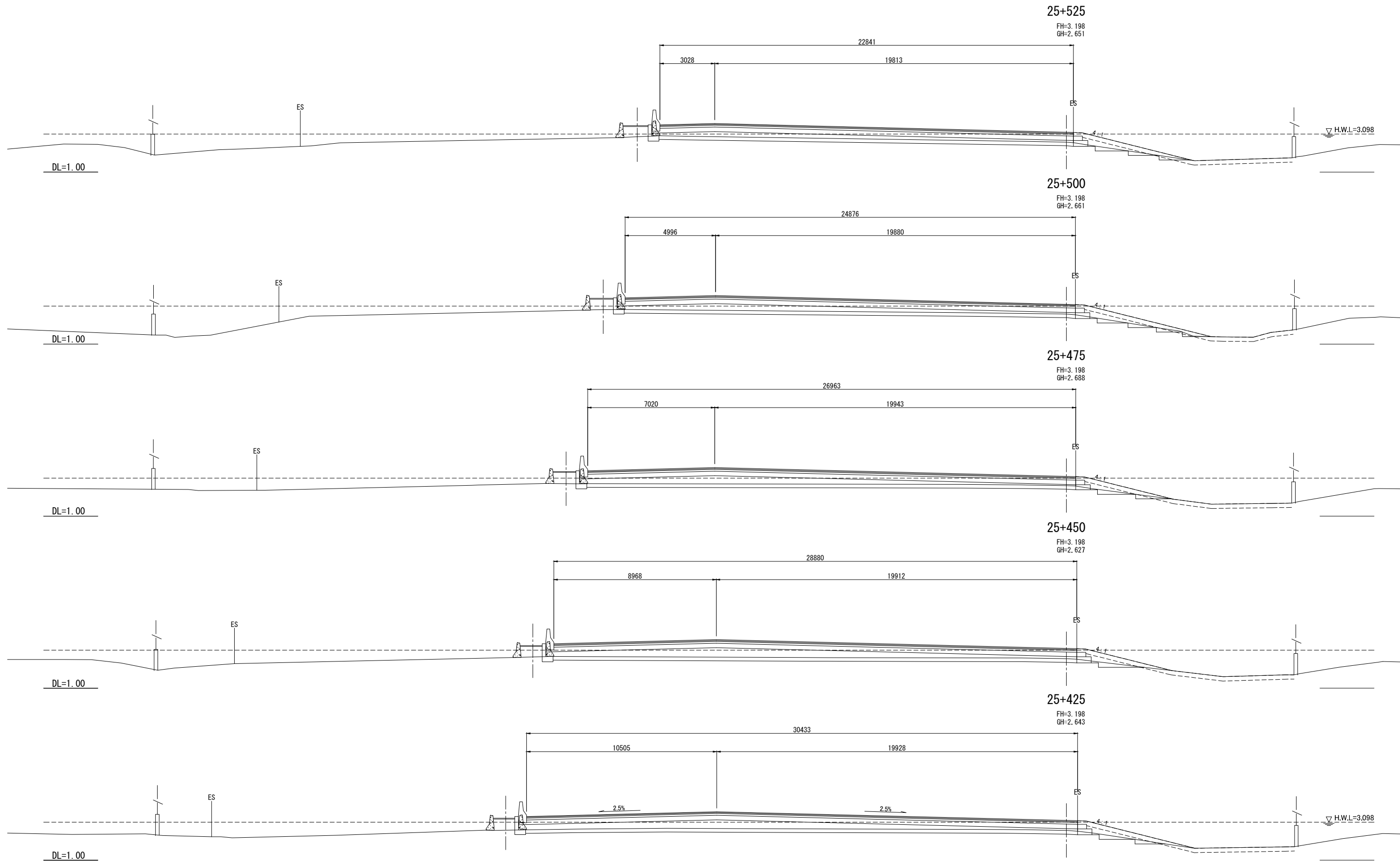
REV. NO.	DESCRIPTION	ENGINEER		DOH		REV. NO.	APPROVED BY		HIGHWAY ROUTE NO. 9	OWNER	PROJECT TITLE		DESIGNED BY	CHECKED BY	DATE:	SCALE:
		CHECKED	DATE	CHECKED	DATE										AUGUST 2012	SCALE 1:100
								KINGDOM OF THAILAND MINISTRY OF TRANSPORT DEPARTMENT OF HIGHWAYS	CROSS SECTIONS (52 / 70)	The Inter-City Motorways Division Department of Highways Ministry of Transport	The Preparatory Survey on the Rehabilitation Project of the Outer Bangkok Ring Road		SAGARA Hidetaka ROAD ENGINEER	WATANABE Ryohei CHIEF ENGINEER	DWG. NO. MW-103	SHEET NO. 108



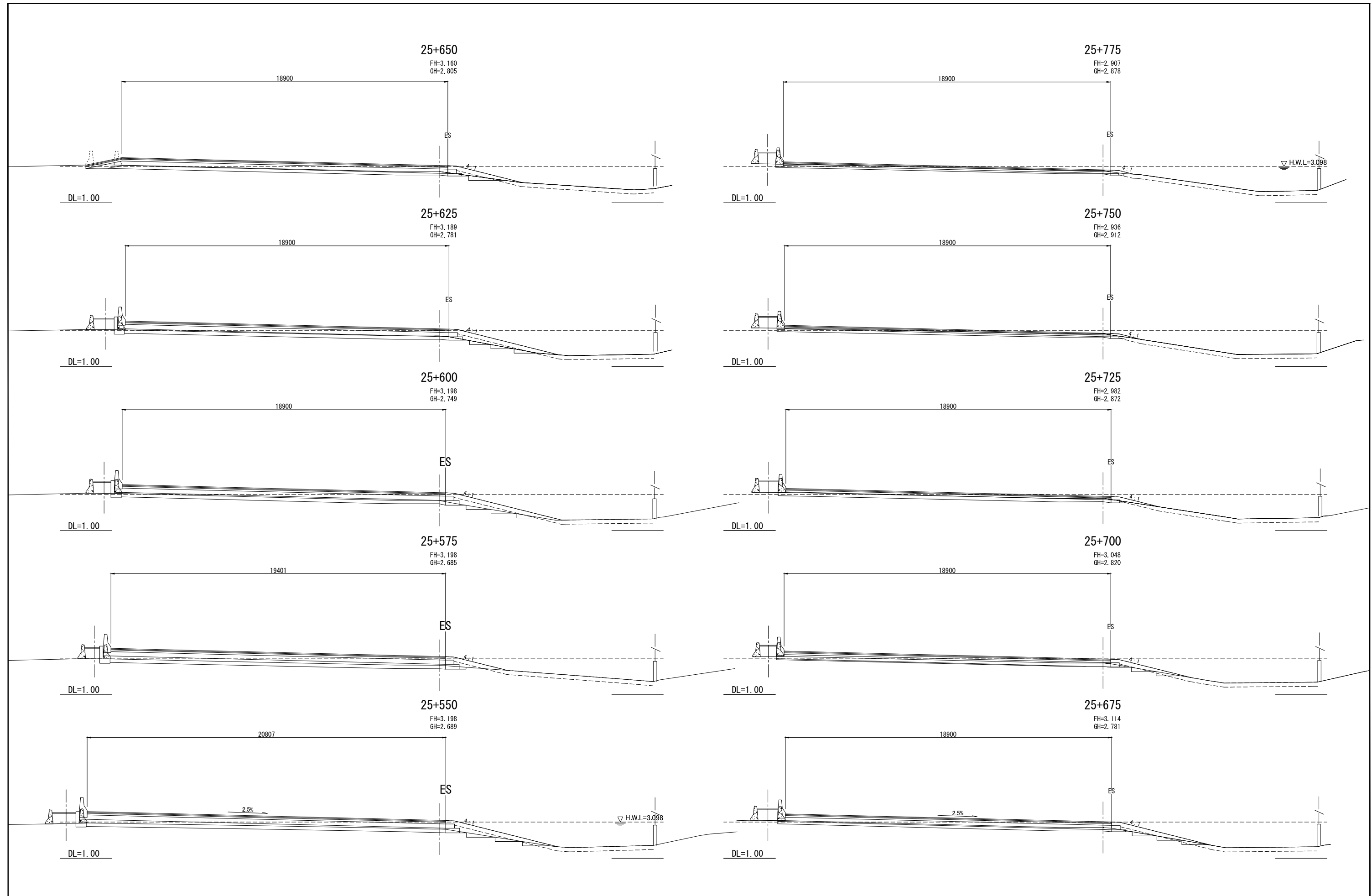
REV. NO.	DESCRIPTION	ENGINEER		DOH		REV. NO.	APPROVED BY	KINGDOM OF THAILAND MINISTRY OF TRANSPORT DEPARTMENT OF HIGHWAYS	HIGHWAY ROUTE NO. 9	OWNER The Inter-City Motorways Division Department of Highways Ministry of Transport	PROJECT TITLE The Preparatory Survey on the Rehabilitation Project of the Outer Bangkok Ring Road	DESIGNED BY SAGARA Hidetaka ROAD ENGINEER	CHECKED BY WATANABE Ryohei CHIEF ENGINEER	DATE:	SCALE:
		CHECKED	DATE	CHECKED	DATE									AUGUST 2012	SCALE 1:100
														DWG. NO. MW-104	SHEET NO. 109



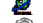




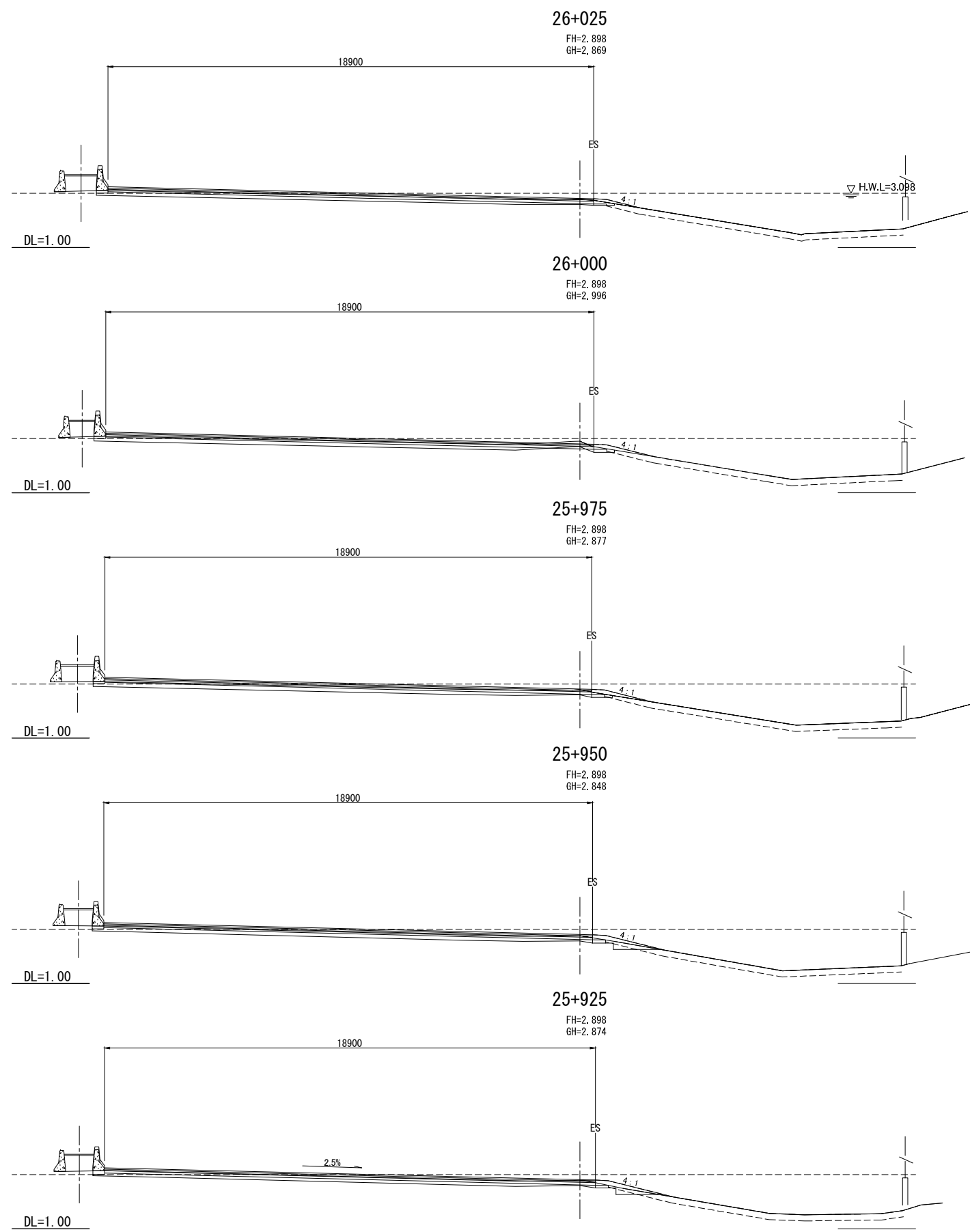
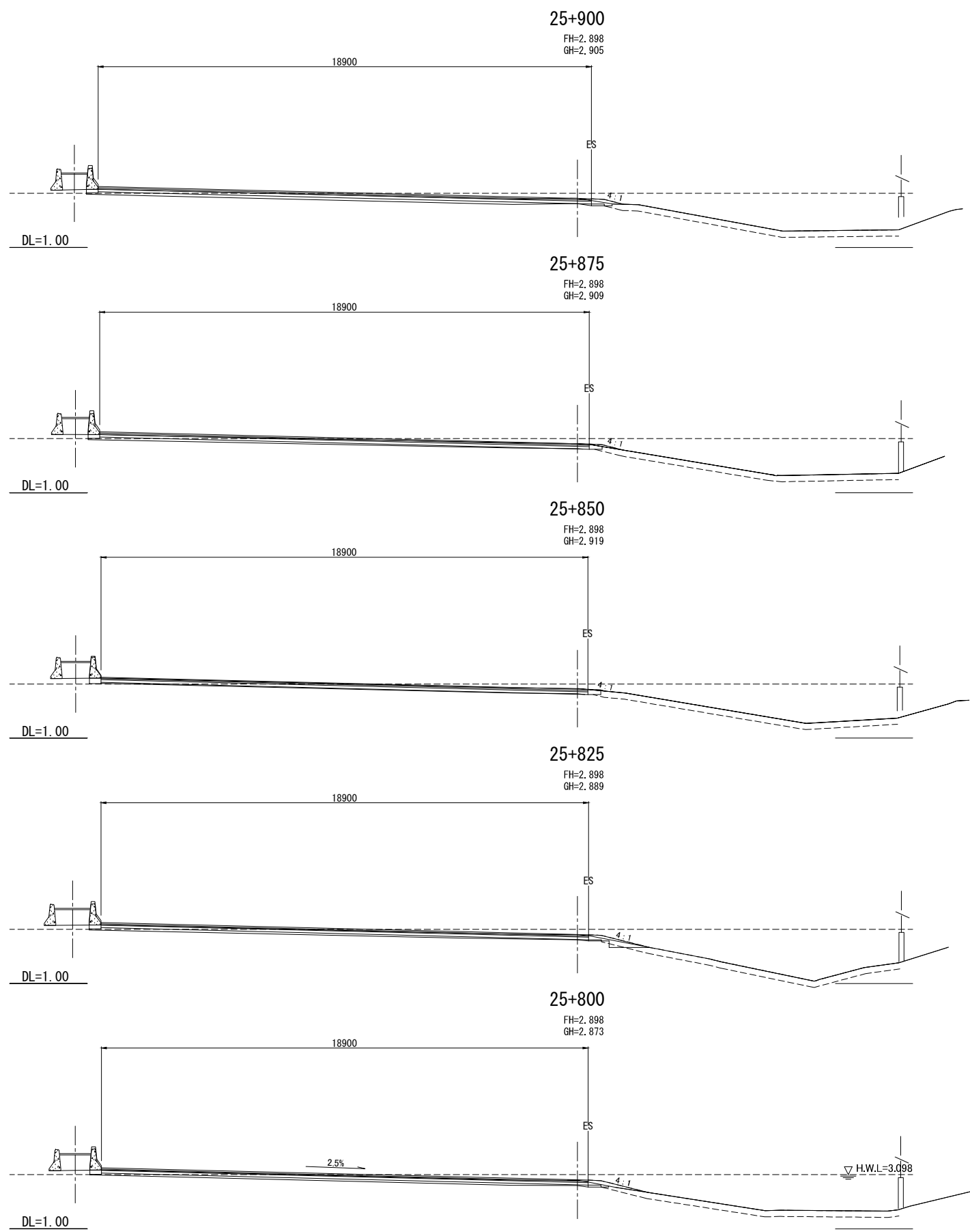
REV. NO.	DESCRIPTION	ENGINEER		DOH		REV. NO.	APPROVED BY	KINGDOM OF THAILAND MINISTRY OF TRANSPORT DEPARTMENT OF HIGHWAYS	HIGHWAY ROUTE NO. 9	OWNER The Inter-City Motorways Division Department of Highways Ministry of Transport	PROJECT TITLE The Preparatory Survey on the Rehabilitation Project of the Outer Bangkok Ring Road	CTI ENGINEERING INTERNATIONAL CO., LTD. ORIENTAL CONSULTANTS CO., LTD. NIPPON KOEI CO., LTD. CTI ENGINEERING CO., LTD.	DESIGNED BY	CHECKED BY	DATE	SCALE
		CHECKED	DATE	CHECKED	DATE								SAGARA Hidetaka ROAD ENGINEER	WATANABE Ryohei CHIEF ENGINEER	AUGUST 2012	SCALE 1:100
															DWG. NO. MW-105	SHEET NO. 110



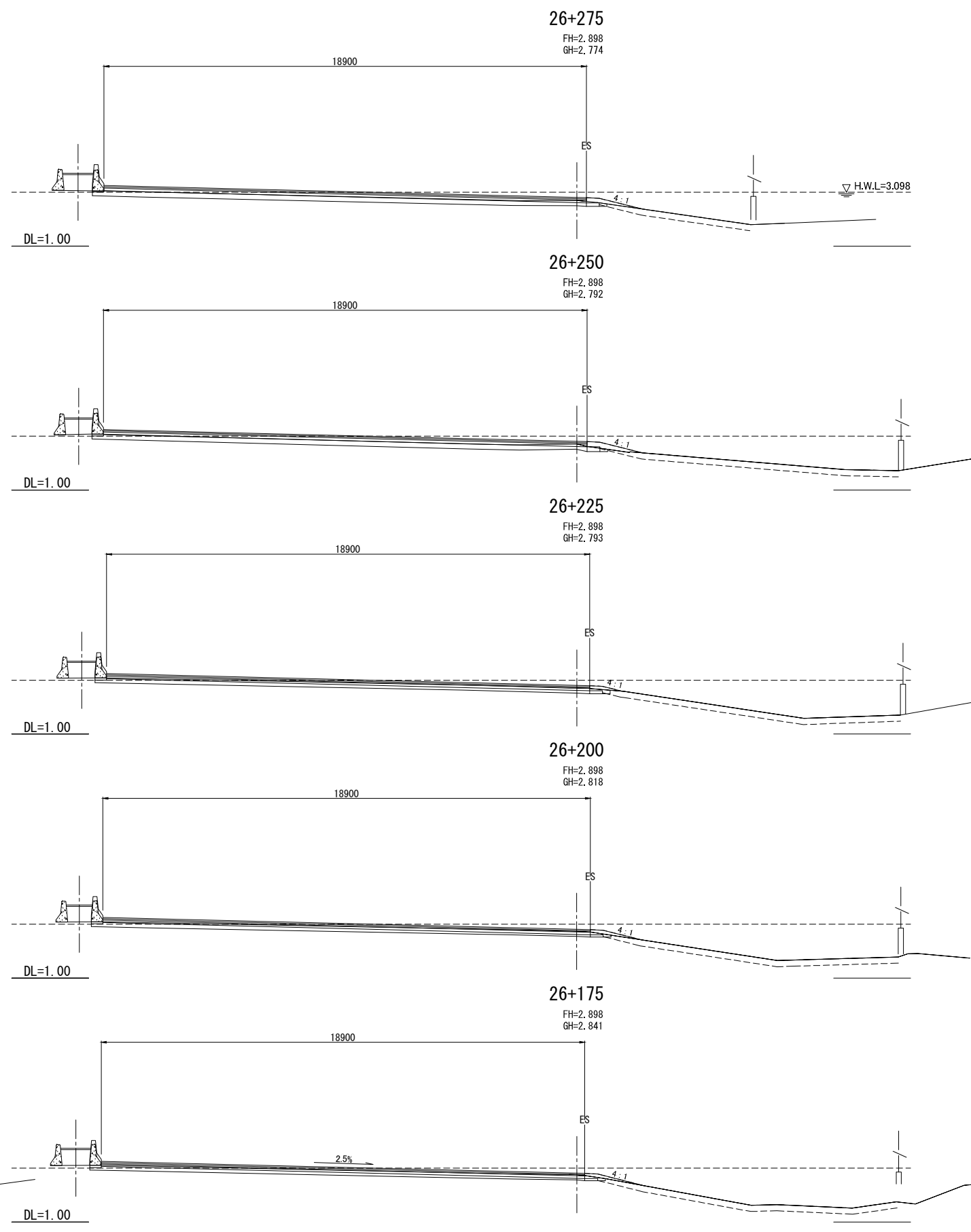
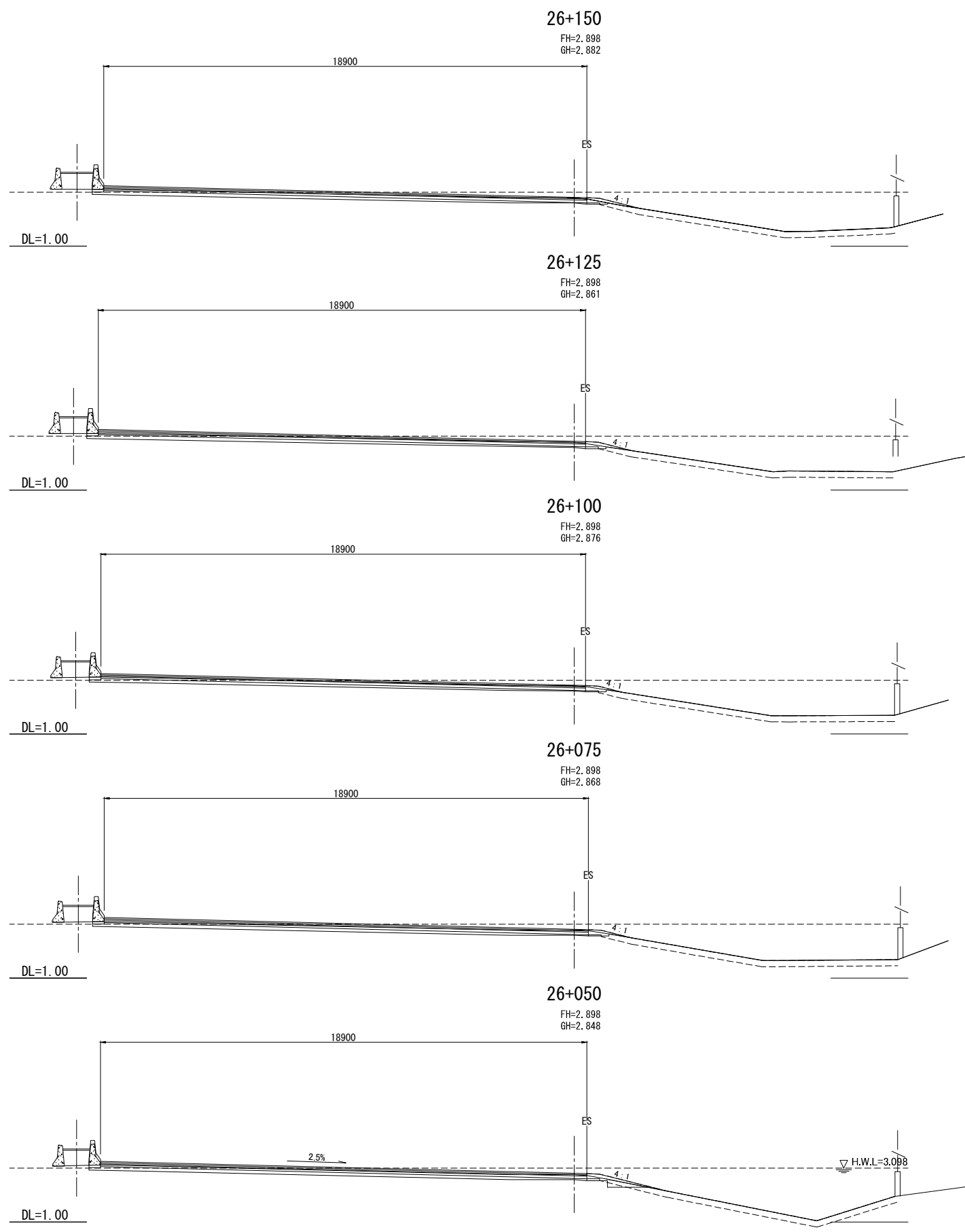
REV. NO.	DESCRIPTION	ENGINEER		DOH		REV. NO.	APPROVED BY	KINGDOM OF THAILAND MINISTRY OF TRANSPORT DEPARTMENT OF HIGHWAYS	HIGHWAY ROUTE NO. 9	OWNER The Inter-City Motorways Division Department of Highways Ministry of Transport	PROJECT TITLE The Preparatory Survey on the Rehabilitation Project of the Outer Bangkok Ring Road	DESIGNED BY SAGARA Hidetaka ROAD ENGINEER	CHECKED BY WATANABE Ryohei CHIEF ENGINEER	DATE:	SCALE:
		CHECKED	DATE	CHECKED	DATE									AUGUST 2012	SCALE 1:100
														DWG. NO. MW-106	SHEET NO. 111



REV. NO.	DESCRIPTION	ENGINEER		DOH		REV. NO.	APPROVED BY	 KINGDOM OF THAILAND MINISTRY OF TRANSPORT DEPARTMENT OF HIGHWAYS	HIGHWAY ROUTE NO. 9	OWNER	PROJECT TITLE	 CTI ENGINEERING INTERNATIONAL CO., LTD.  ORIENTAL CONSULTANTS CO., LTD.  NIPPON KOEI CO., LTD.  CTI ENGINEERING CO., LTD.	DESIGNED BY	CHECKED BY	DATE	SCALE
		CHECKED	DATE	CHECKED	DATE								SAGARA Hidetaka ROAD ENGINEER	WATANABE Ryohei CHIEF ENGINEER	AUGUST 2012	SCALE 1:100
									The Inter-City Motorways Division Department of Highways Ministry of Transport	The Preparatory Survey on the Rehabilitation Project of the Outer Bangkok Ring Road			DWG. NO. MW-107	SHEET NO. 112		



REV. NO.	DESCRIPTION	ENGINEER		DOH		REV. NO.	APPROVED BY	KINGDOM OF THAILAND MINISTRY OF TRANSPORT DEPARTMENT OF HIGHWAYS	HIGHWAY ROUTE NO. 9 CROSS SECTIONS (57 / 70)	OWNER The Inter-City Motorways Division Department of Highways Ministry of Transport	PROJECT TITLE The Preparatory Survey on the Rehabilitation Project of the Outer Bangkok Ring Road	CTI ENGINEERING INTERNATIONAL CO., LTD. ORIENTAL CONSULTANTS CO., LTD. NIPPON KOEI CO., LTD. CTI ENGINEERING CO., LTD.	DESIGNED BY	CHECKED BY	DATE	SCALE
		CHECKED	DATE	CHECKED	DATE								SAGARA Hidetaka ROAD ENGINEER	WATANABE Ryohei CHIEF ENGINEER	AUGUST 2012	SCALE 1:100
															DWG. NO. MW-108	SHEET NO. 113



REV. NO.	DESCRIPTION	ENGINEER		DOH		REV. NO.	APPROVED BY	KINGDOM OF THAILAND MINISTRY OF TRANSPORT DEPARTMENT OF HIGHWAYS	HIGHWAY ROUTE NO. 9	OWNER	PROJECT TITLE	CTI ENGINEERING INTERNATIONAL CO., LTD. ORIENTAL CONSULTANTS CO., LTD. NIPPON KOEI CO., LTD. CTI ENGINEERING CO., LTD.	DESIGNED BY	CHECKED BY	DATE	SCALE
		CHECKED	DATE	CHECKED	DATE				The Inter-City Motorways Division Department of Highways Ministry of Transport	The Preparatory Survey on the Rehabilitation Project of the Outer Bangkok Ring Road	SAGARA Hidetaka ROAD ENGINEER		WATANABE Ryohei CHIEF ENGINEER	AUGUST 2012	SCALE 1:100	
								CROSS SECTIONS (58 / 70)						DWG. NO. MW-109	SHEET NO. 114	