

Amendments

Associated Consultants

Client
JICA

Project
Jica, Port Moresby Sewerage

Details
Konedobu Pumping Station

Scale **1 : 4000**

Level Datum

Origin

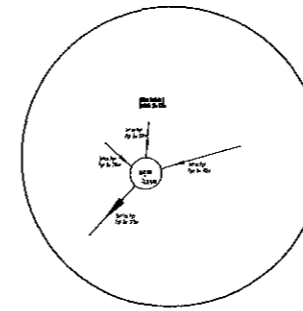
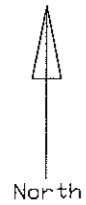
Surveyed <i>KG</i>	Date JUNE 2011
Computed <i>LB</i>	Checked <i>GM</i>
Civilcad File	AutoCAD File <i>Konedobu</i>



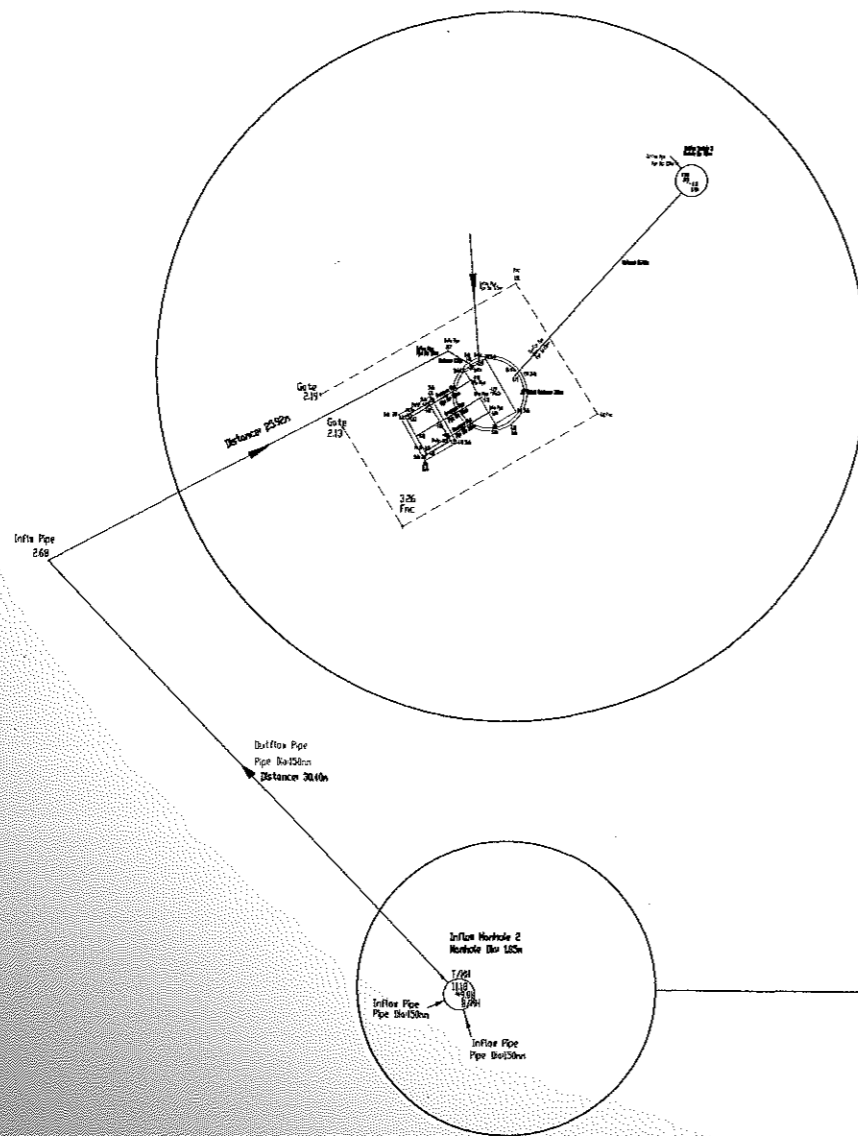
Surveyors Town Planners & Mapping Consultant

Section 78 Lot 16 Madaha Street Gordons
 PO Box 1271 Port Moresby
 NCD Papua New Guinea
 Tel (675) 325 6756 Fax (675) 325 6732
 Email : aps@aps.com.pg

Reference



MANHOLE No: 1
See sheet 2



MANHOLE No: 3 and PUMP STATION
See sheet 4

MANHOLE No: 2
See sheet 3

© Copyright
The intellectual property contained in these designs, plans and specifications as represented on this document and contained in the accompanying digital format remains the exclusive property of Asia Pacific Surveys Limited and may not be used, copied or reproduced wholly or in part without the written permission of Asia Pacific Surveys Limited

Amendments

Associated Consultants

Client
JICA

Project
JICA Port Moresby Sewerage Project

Details
Konedobu Pump Pump Station

Sheet 1 of 4

Scale 1:400

Level Datum

Origin

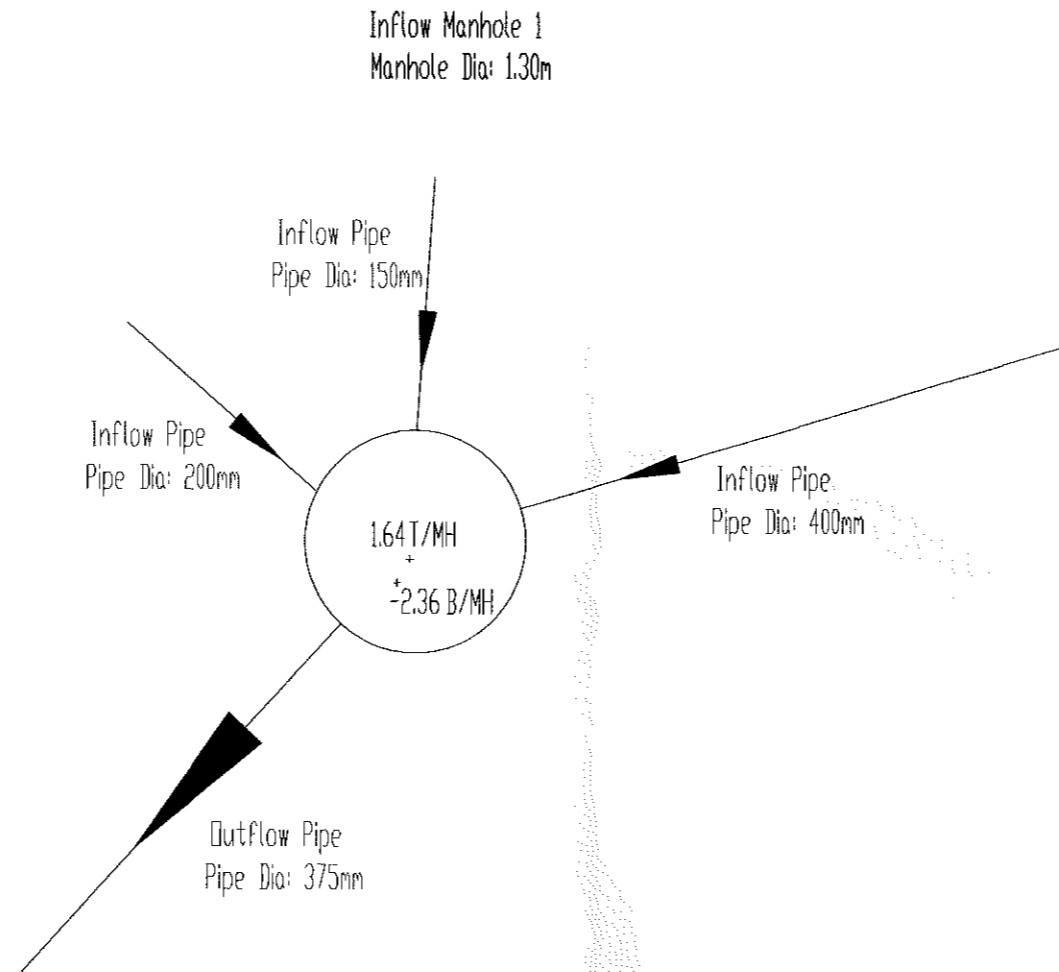
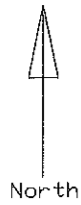
Surveyed KG	Date MARCH 2011
Computed KG	Checked KI/GM
Civildad File KONE	AutoCAD File KONE



Surveyors Town Planners & Mapping Consultant

Section 7B Lot 16 Madoho Street Gordons
PO Box 1271 Port Moresby
NCD Papua New Guinea
Tel (675) 325 6756 Fax (675) 325 6732
Email : aps@aps.com.pg

Reference



MANHOLE No: 1

© Copyright
The intellectual property contained in these designs, plans and specifications as represented on this document and contained in the accompanying digital format remains the exclusive property of Asia Pacific Surveys Limited and may not be used, copied or reproduced wholly or in part without the written permission of Asia Pacific Surveys Limited

Amendments

Associated Consultants

Client

JICA

Project

JICA Port Moresby
Sewerage Project

Details

Konedobu Pump
Pump Station

Sheet 2 of 4

Scale 1:400

Level Datum: CDW

Origin: Paga Grid

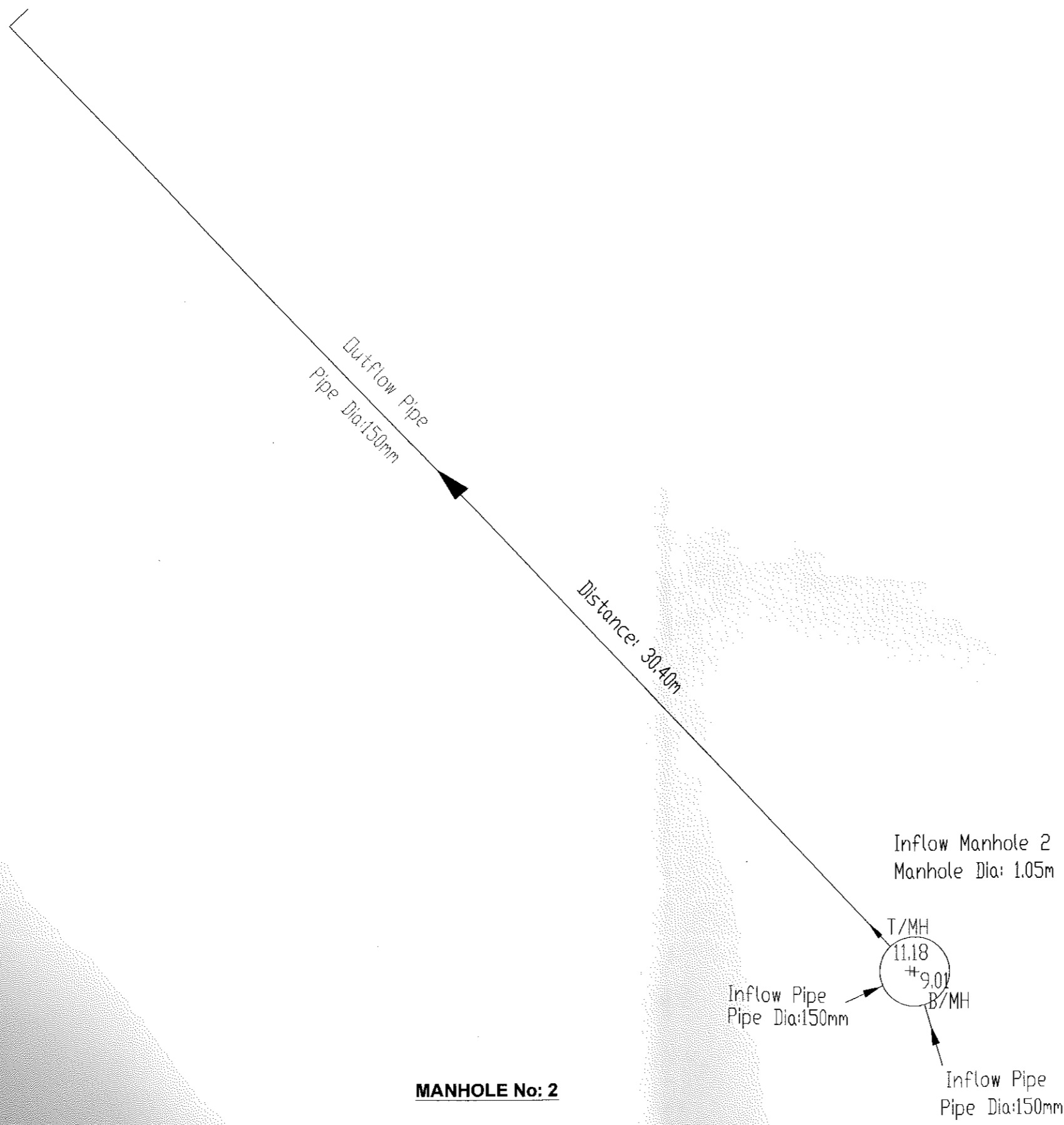
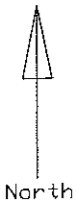
Surveyed KG	Date MARCH 2011
Computed KG	Checked KI/GM
Civilcad File KONE	AutoCAD File KONE



Surveyors Town Planners
& Mapping Consultant

Section 78 Lot 16 Madaha Street Gordons
PO Box 1271 Port Moresby
NCD Papua New Guinea
Tel (675) 325 6756 Fax (675) 325 6732
Email : aps@aps.com.pg

Reference



MANHOLE No: 2

© Copyright
The intellectual property contained in these designs, plans and specifications as represented on this document and contained in the accompanying digital format remains the exclusive property of Asia Pacific Surveys Limited and may not be used, copied or reproduced wholly or in part without the written permission of Asia Pacific Surveys Limited

Amendments

Associated Consultants

Client
JICA

Project
JICA Port Moresby Sewerage Project

Details
Konedobu Pump Station

Sheet 3 of 4

Scale 1:400

Level Datum: CDW

Origin: Paga Grid

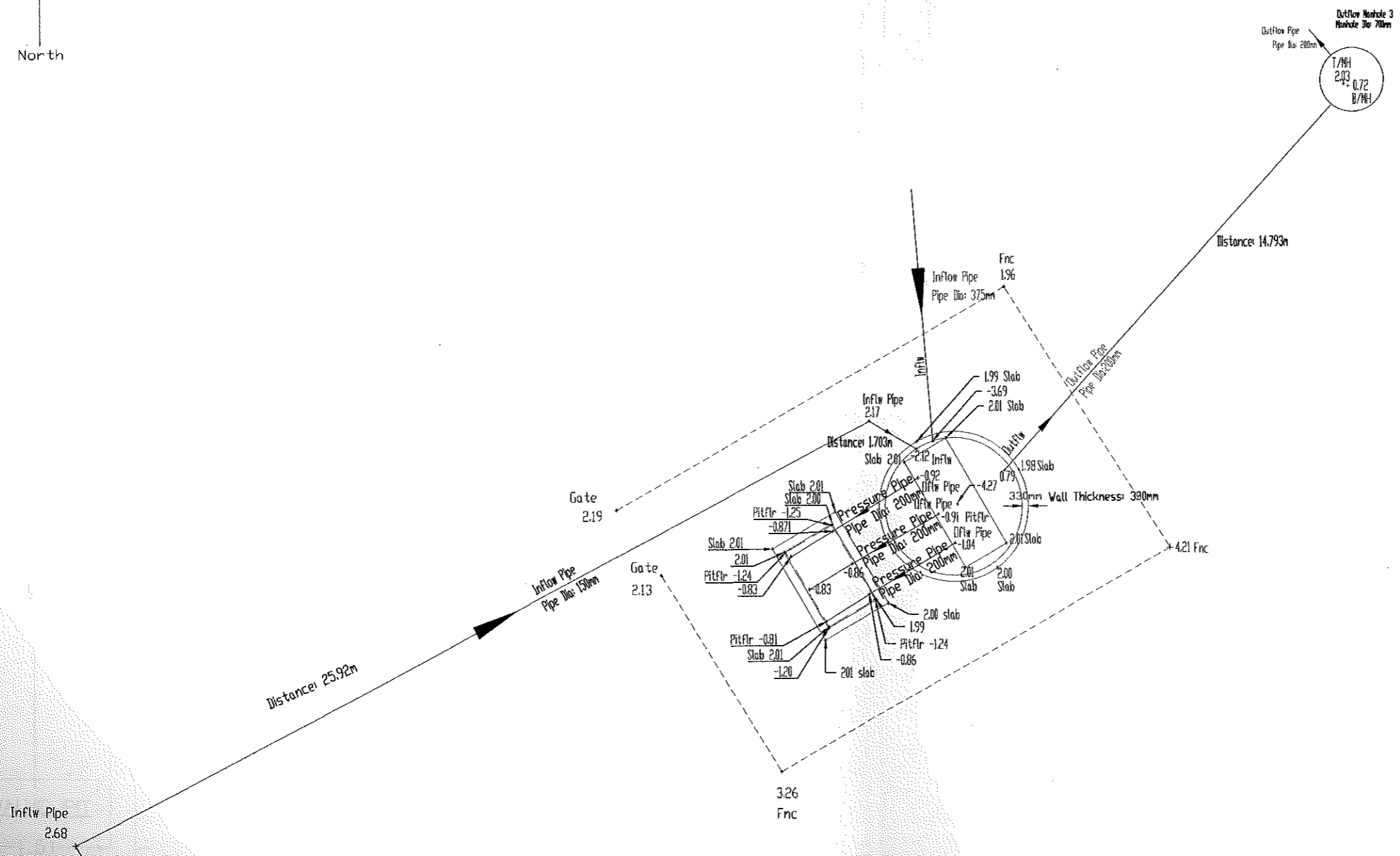
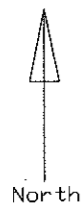
Surveyed KG	Date MARCH 2011
Computed KG	Checked KJ/GM
Civilcad File KONE	AutoCAD File KONE



ASIA PACIFIC SURVEYS
Surveyors Town Planners
& Mapping Consultant

Section 78 Lot 16 Madoho Street Gordons
PO Box 1271 Port Moresby
NCD Papua New Guinea
Tel (675) 325 6756 Fax (675) 325 6732
Email : aps@aps.com.pg

Reference



MANHOLE No: 3 and PUMP STATION

© Copyright
 The intellectual property contained in these designs, plans and specifications as represented on this document and contained in the accompanying digital format remains the exclusive property of Asia Pacific Surveys Limited and may not be used, copied or reproduced wholly or in part without the written permission of Asia Pacific Surveys Limited

Amendments

Associated Consultants

Client

JICA

Project

JICA Port Moresby Sewerage Project

Details

Konedobu Pump Pump Station

Sheet 4 of 4

Scale 1:400

Level Datum: CDW

Origin: Paga Grid

Surveyed KG	Date MARCH 2011
Computed KG	Checked KI/GM
Civilcad File KONE	AutoCAD File KONE



Surveyors Town Planners & Mapping Consultant

Section 78 Lot 16 Madaha Street Gordons
 PO Box 1271 Port Moresby
 NCD Papua New Guinea
 Tel (675) 325 6756 Fax (675) 325 6732
 Email : aps@aps.com.pg

Reference

The intellectual property contained in these designs, plans and specifications as represented on this document and contained in the accompanying digital format remains the exclusive property of Asia Pacific Surveys Limited and may not be used, copied or reproduced wholly or in part without the written permission of Asia Pacific Surveys Limited.

Amendments:

Associated Consultants:

Client:

JICA

Project:

JICA Port Moresby Sewerage Project

Details

Konedobu Pump Station

Scale: 1:400

Surveyed: KG Date: March 2011

Computed: KG Checked: KI/GM

Civcad File: 070411kg Autocad File: LAWES

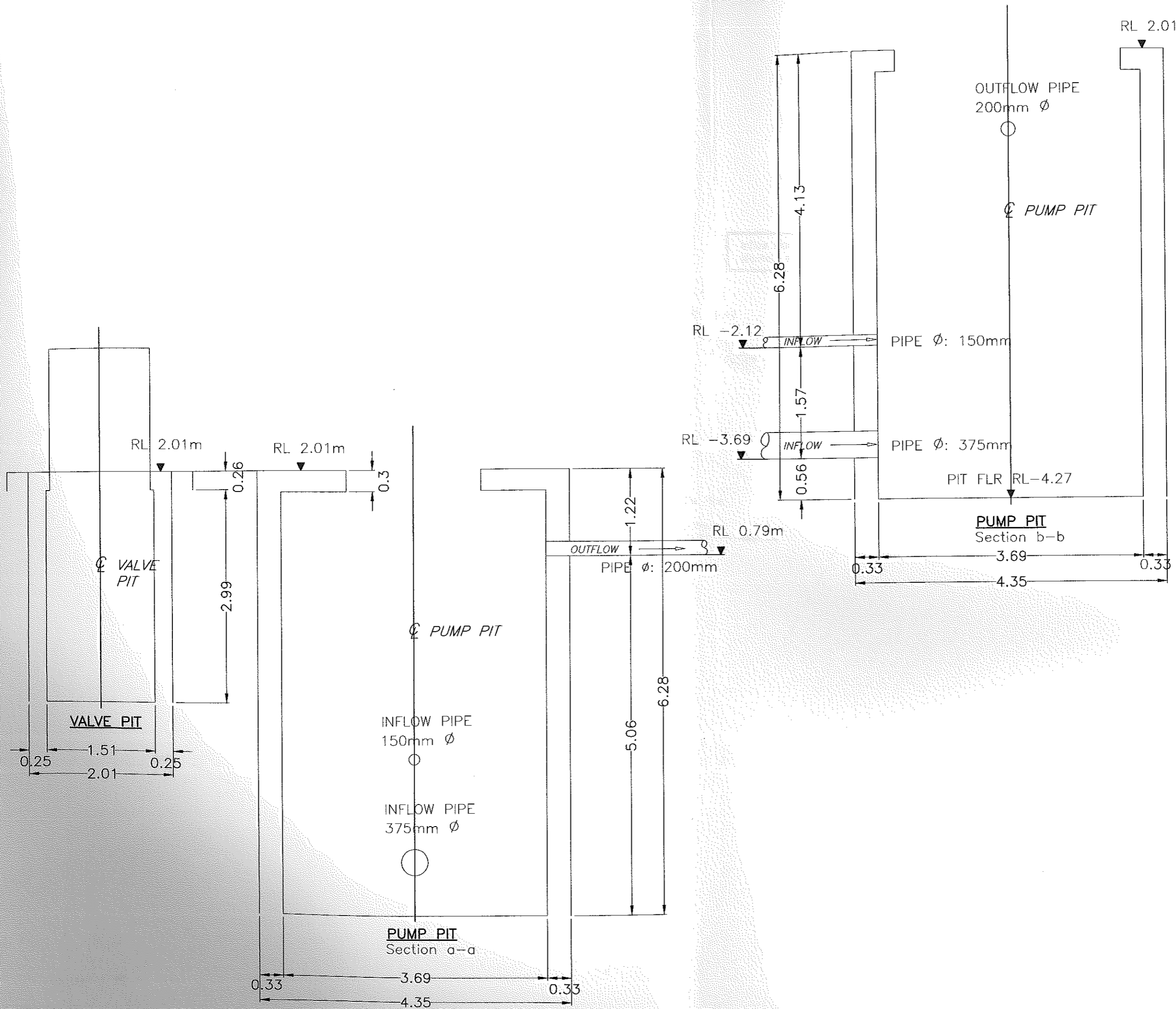


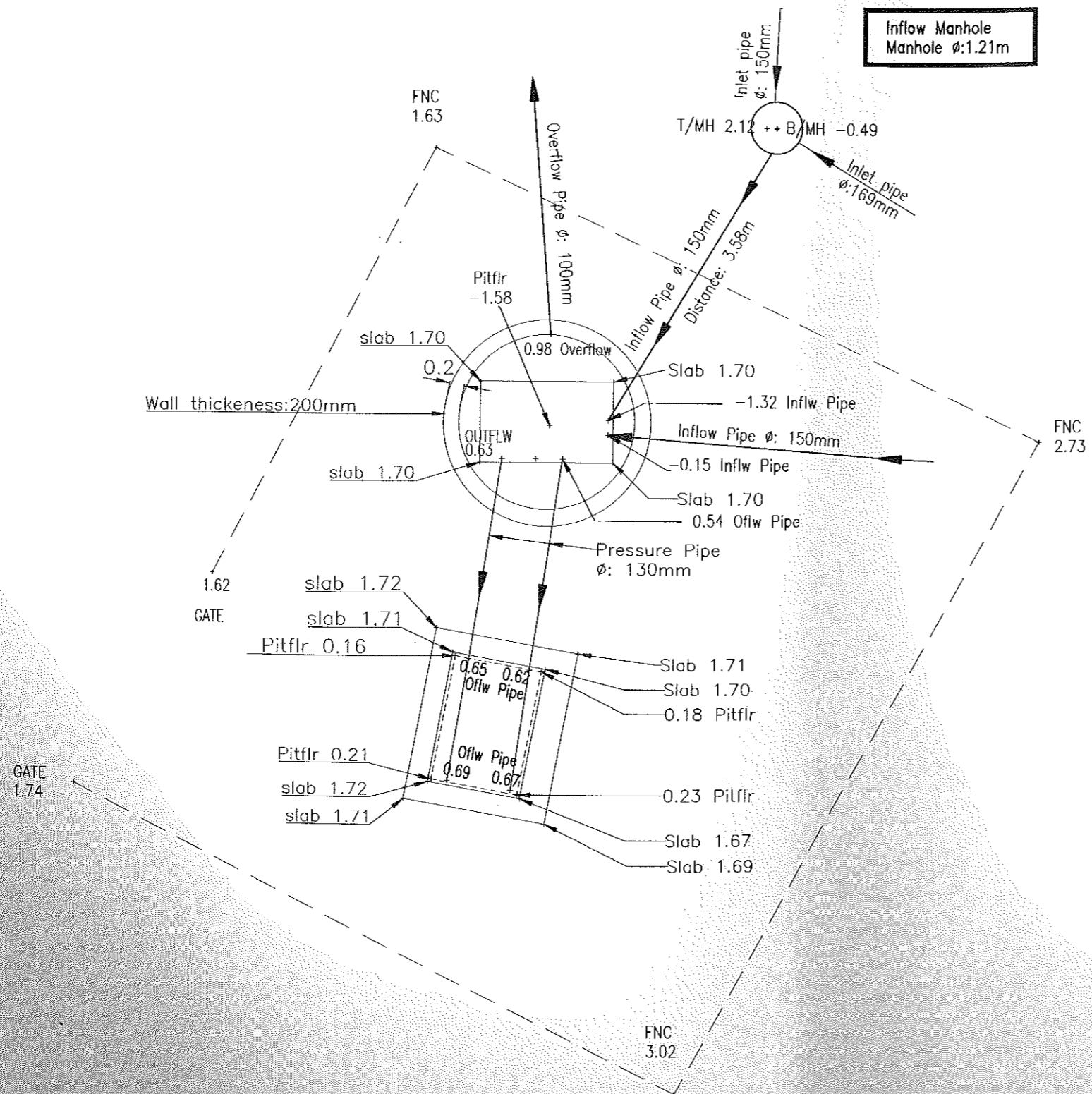
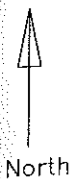
ASIA PACIFIC SURVEYS

Surveyors - Town Planners & Mapping Consultants

Section 72 Lot 18 Madaha Street Gordons
 PO Box 1271 Port Moresby NCD PNG
 Tel (675) 325 6756 Fax (675) 325 6752
 Email : aps@aps.com.pg

Reference





Scale: 1:75

© Copyright

The intellectual property contained in these designs, plans and specifications as represented on this document and contained in the accompanying digital format remains the exclusive property of Asia Pacific Surveys Limited and may not be used, copied or reproduced wholly or in part without the written permission of Asia Pacific Surveys Limited.

Amendments:

Associated Consultants:

Client:

JICA

Project:

JICA Port Moresby Sewerage Project

Details

Old Yacht Pump Station

Level Datum: CDW

Origin: Paga Grid

Scale: 1:75

Surveyed: KG	Date: March 2011
--------------	------------------

Computed: KG	Checked: KI/GM
--------------	----------------

Civcad File: YACHT	Autocad File: YACHT
--------------------	---------------------



ASIA PACIFIC SURVEYS

Surveyors - Town Planners & Mapping Consultants

Section 72 Lot 18 Madaha Street Gordons
 PO Box 1271 Port Moresby NCD PNG
 Tel (675) 325 6756 Fax (675) 325 6752
 Email : aps@aps.com.pg

Reference

© Copyright

The intellectual property contained in these designs, plans and specifications as represented on this document and contained in the accompanying digital format remains the exclusive property of Asia Pacific Surveys Limited and may not be used, copied or reproduced wholly or in part without the written permission of Asia Pacific Surveys Limited.

Amendments:

Associated Consultants:

Client:

JICA

Project:

JICA Port Moresby
Sewerage Project

Details

Old Yacht Club
Pump Station

Scale: 1:75

Surveyed: KG Date: March 2011

Computed: KG Checked: KI/GM

Civcad File: YACHT Autocad File: YACHT

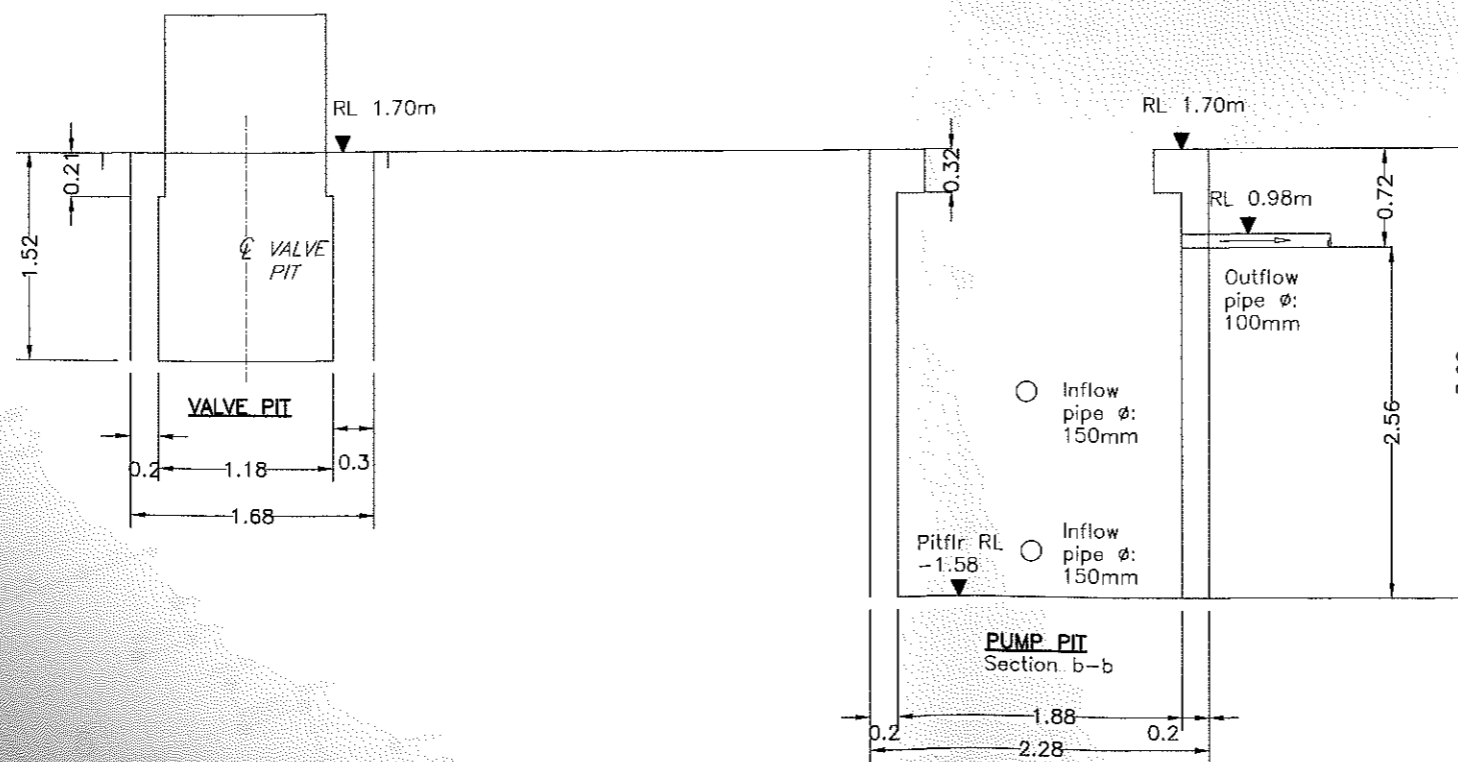
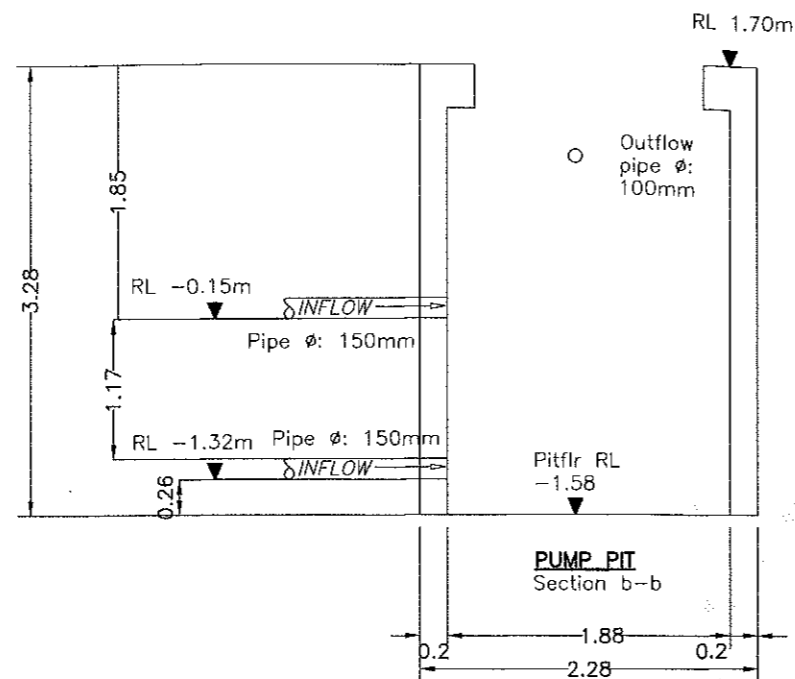


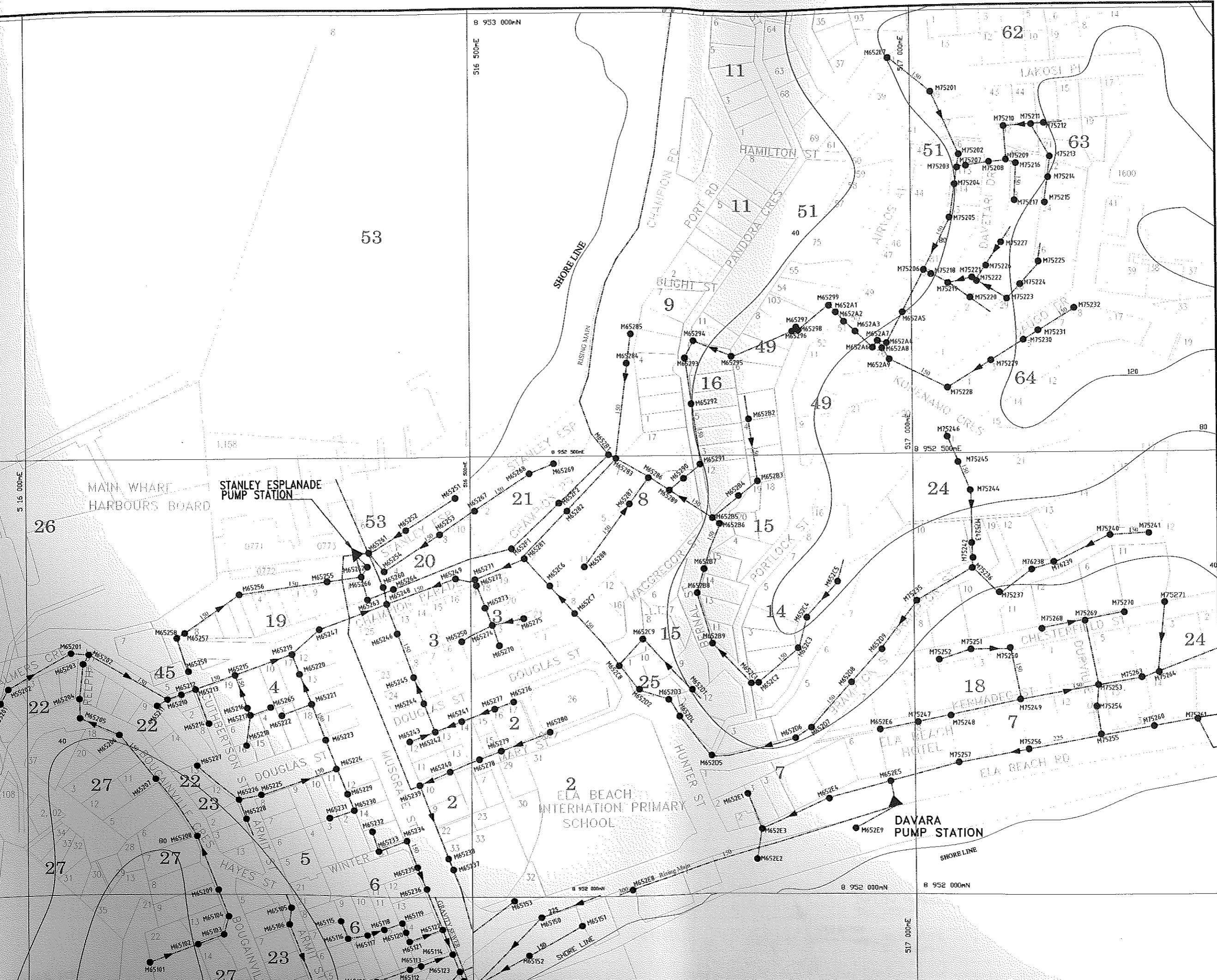
ASIA PACIFIC SURVEYS

Surveyors - Town Planners
& Mapping Consultants

Section 72 Lot 18 Madaha Street Gordons
PO Box 1271 Port Moresby NCD PNG
Tel (675) 325 6756 Fax (675) 325 6752
Email : aps@aps.com.pg

Reference





© Copyright
 The intellectual property contained in these designs, plans and specifications as represented on this document and contained in the accompanying digital format remains the exclusive property of Asia Pacific Surveys Limited and may not be used, copied or reproduced wholly or in part without the written permission of Asia Pacific Surveys Limited

Amendments

Associated Consultants

Client
JICA

Project
Jica, Port Moresby Sewerage

Details
Stanley Esplanade Pumping Station

Scale **1 : 4000**

Level Datum

Origin

Surveyed <i>KG</i>	Date <i>JUNE 2011</i>
Computed <i>LB</i>	Checked <i>GM</i>
Civildad File	AutoCAD File <i>Stanley Esplanade</i>

ASIA PACIFIC SURVEYS
 Surveyors Town Planners & Mapping Consultant

Section 78 Lot 16 Madaha Street Gordons
 PO Box 1271 Port Moresby
 NCD Papua New Guinea
 Tel (675) 325 6756 Fax (675) 325 6732
 Email : aps@aps.com.pg

Reference

OUTFLOW MANHOLE 2
Dia: 1.070m

INLET PIPE
Dia: 400mm

INFLOW MANHOLE 1
Dia: 1.050m

INLET PIPE
Dia: 175mm

INLET PIPE
Dia: 200mm

T/MH 1.50

B/MH T/MH

0.08B/MH

GATE

1.61

FNC

1.71

INLET PIPES
Dia: 150mm

FNC 1.47

1.58

INFLOW PIPE
Dia: 200mm

OUTFLOW PIPE
Dia: 400mm

SLAB
1.68

SLAB
1.68

INFLOW
-0.51

OUTFLOW
-1.08

OUTFLOW PIPE

SLAB 1.67

PITFLR
-3.38

1.67 SLAB

1.67 SLAB

SLAB 1.68

SLAB 1.66

0.47

0.45

INFLOW Pipe1
Dia: 400mm

-1.10

SLAB
1.70

PRESSURE PIPES
PIPE Dia: 200mm

PITFLR
0.22

SLAB 1.68

SLAB 1.68

PITFLR
0.17

PITFLR
0.17

SLAB
1.70

SLAB
1.70

0.62

0.61

0.60

PITFLR
0.19

SLAB
1.70

1.68
SLAB

1.70
SLAB

PITFLR
0.17

SLAB
1.70

SLAB
1.70

SLAB
1.70

SLAB
1.70

SLAB
1.70

SLAB
1.70

SLAB
1.70

SLAB
1.70

SLAB
1.70

SLAB
1.70

SLAB
1.70

SLAB
1.70

SLAB
1.70

SLAB
1.70

SLAB
1.70

SLAB
1.70

SLAB
1.70

SLAB
1.70

SLAB
1.70

SLAB
1.70

SLAB
1.70

SLAB
1.70

SLAB
1.70

SLAB
1.70

SLAB
1.70

SLAB
1.70

SLAB
1.70

SLAB
1.70

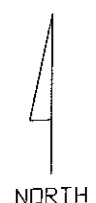
SLAB
1.70

SLAB
1.70

SLAB
1.70

SLAB
1.70

SLAB
1.70



SCALE 1:150

© Copyright

The intellectual property contained in these designs, plans and specifications as represented on this document and contained in the accompanying digital format remains the exclusive property of Asia Pacific Surveys Limited and may not be used, copied or reproduced wholly or in part without the written permission of Asia Pacific Surveys Limited.

Amendments:

Associated Consultants:

Client:
JICA

Project:
JICA Port Moresby Sewerage Project

Details
Stanley Espanade Pump Station

Scale: 1:150

Surveyed: KG	Date: March 2011
Computed: KG	Checked: KI/GM
Civcad File: STANLEY ESPLANADE	Autocad File: STANLEY ESPLANADE



Section 72 Lot 18 Madaha Street Gordons
PO Box 1271 Port Moresby NCD PNG
Tel (675) 325 6756 Fax (675) 325 6752
Email : aps@aps.com.pg

Reference

Amendments:

Associated Consultants:

Client:

JICA

Project:

JICA Port Moresby Sewerage Project

Details

Stanley Esplanade Pump Station

Scale: 1:150

Surveyed: KG	Date: March 2011
Computed: KG	Checked: KI/GM
Civcad File: STANLEY ESPLANADE	Autocad File: STANLEY ESPLANADE

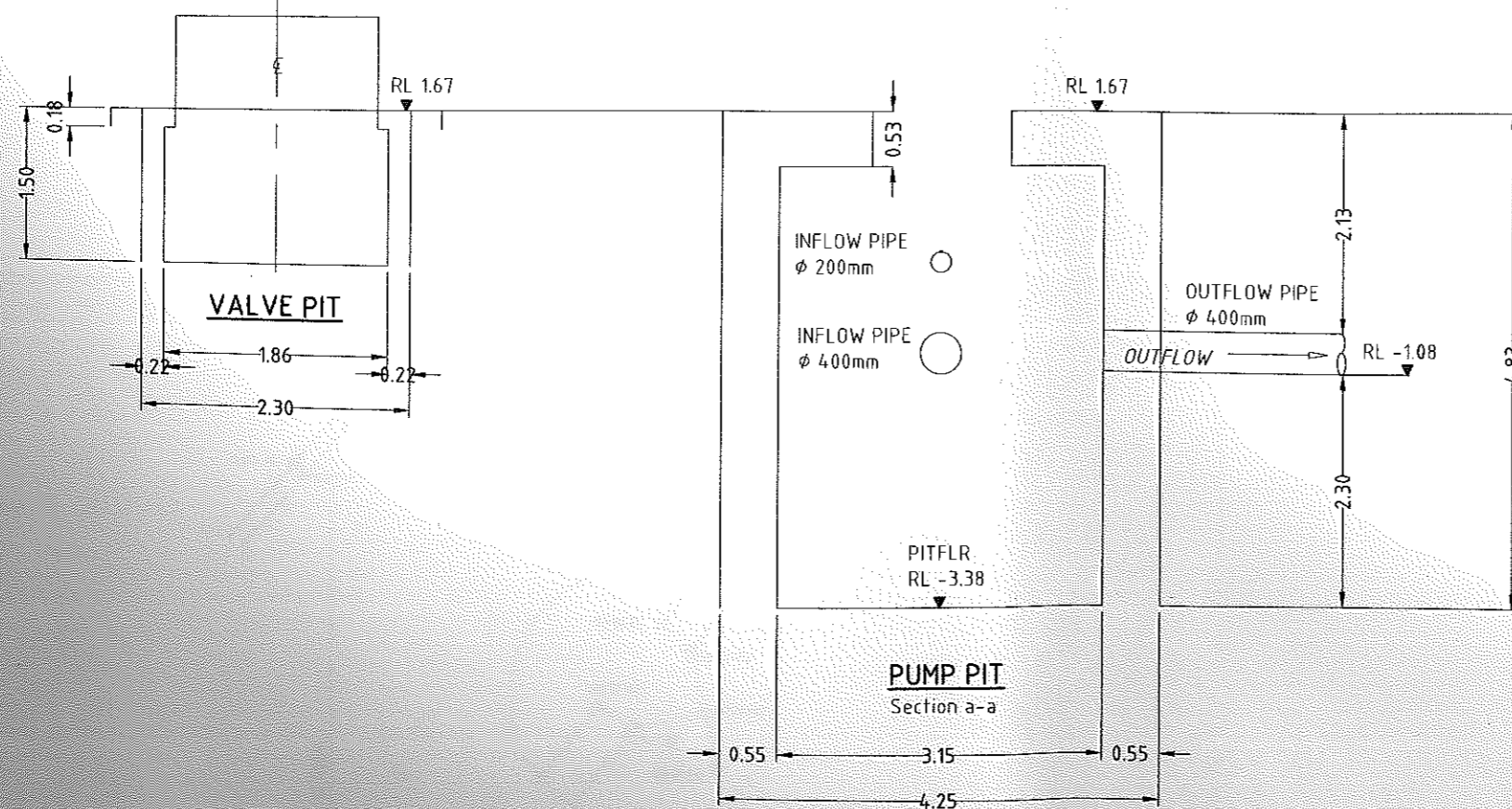
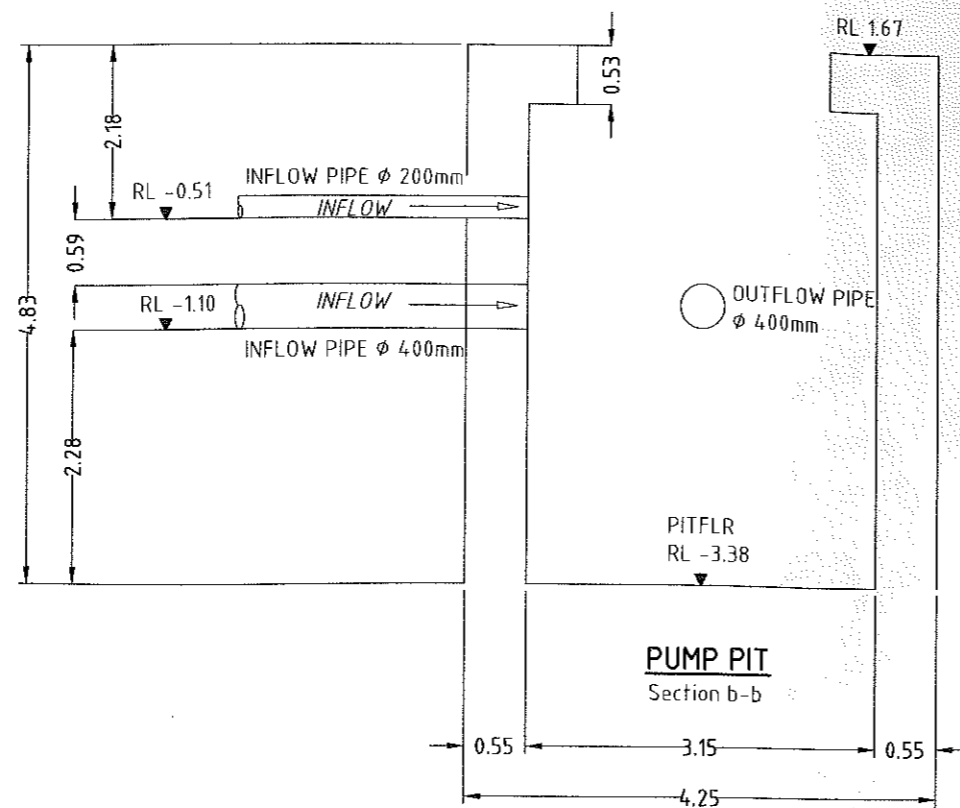


ASIA PACIFIC SURVEYS

Surveyors - Town Planners & Mapping Consultants

Section 72 Lot 18 Madaha Street Gordons
 PO Box 1271 Port Moresby NCD PNG
 Tel (675) 325 6756 Fax (675) 325 6752
 Email : aps@aps.com.pg

Reference





© Copyright
 The intellectual property contained in these designs, plans and specifications as represented on this document and contained in the accompanying digital format remains the exclusive property of Asia Pacific Surveys Limited and may not be used, copied or reproduced wholly or in part without the written permission of Asia Pacific Surveys Limited

Amendments

Associated Consultants

Client
JICA

Project
Jica, Port Moresby Sewerage

Details
Seapark Pumping Station

Scale **1 : 4000**

Level Datum

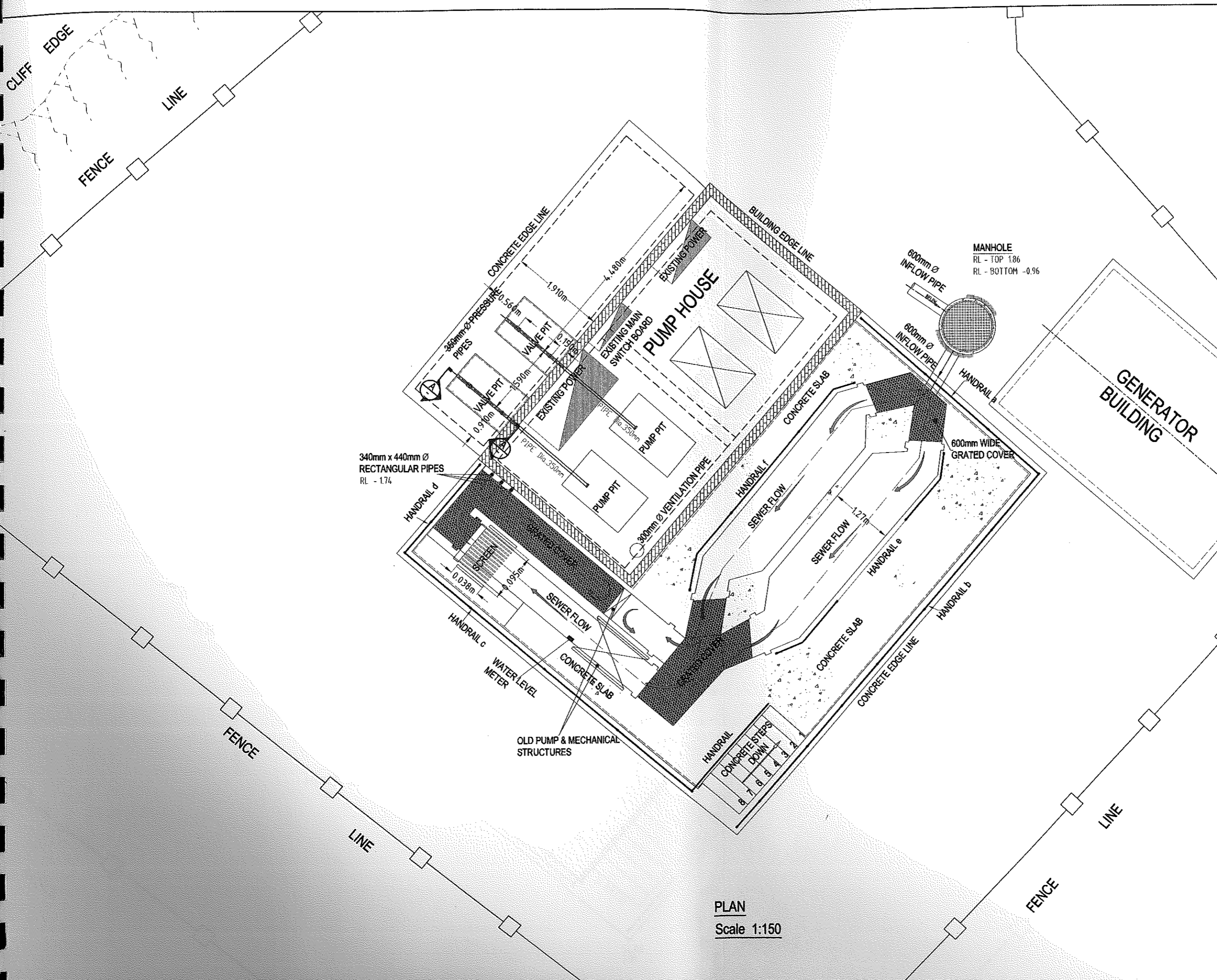
Origin

Surveyed <i>KG</i>	Date <i>JUNE 2011</i>
Computed <i>LB</i>	Checked <i>GM</i>
Civilcad File	AutoCAD File <i>Seapark</i>

aps
 ASIA PACIFIC SURVEYS
 Surveyors Town Planners
 & Mapping Consultant

Section 78 Lot 16 Madaha Street Gordons
 PO Box 1271 Port Moresby
 NCD Papua New Guinea
 Tel (675) 325 6756 Fax (675) 325 6732
 Email : aps@aps.com.pg

Reference



PLAN
Scale 1:150

© Copyright
The intellectual property contained in these designs, plans and specifications as represented on this document and contained in the accompanying digital format remains the exclusive property of Asia Pacific Surveys Limited and may not be used, copied or reproduced wholly or in part without the written permission of Asia Pacific Surveys Limited

Amendments

Associated Consultants

Client
JICA

Project
Port Moresby Sewerage Project

Project
Seapark Pump Station

Scale **AS SHOWN**

Level Datum

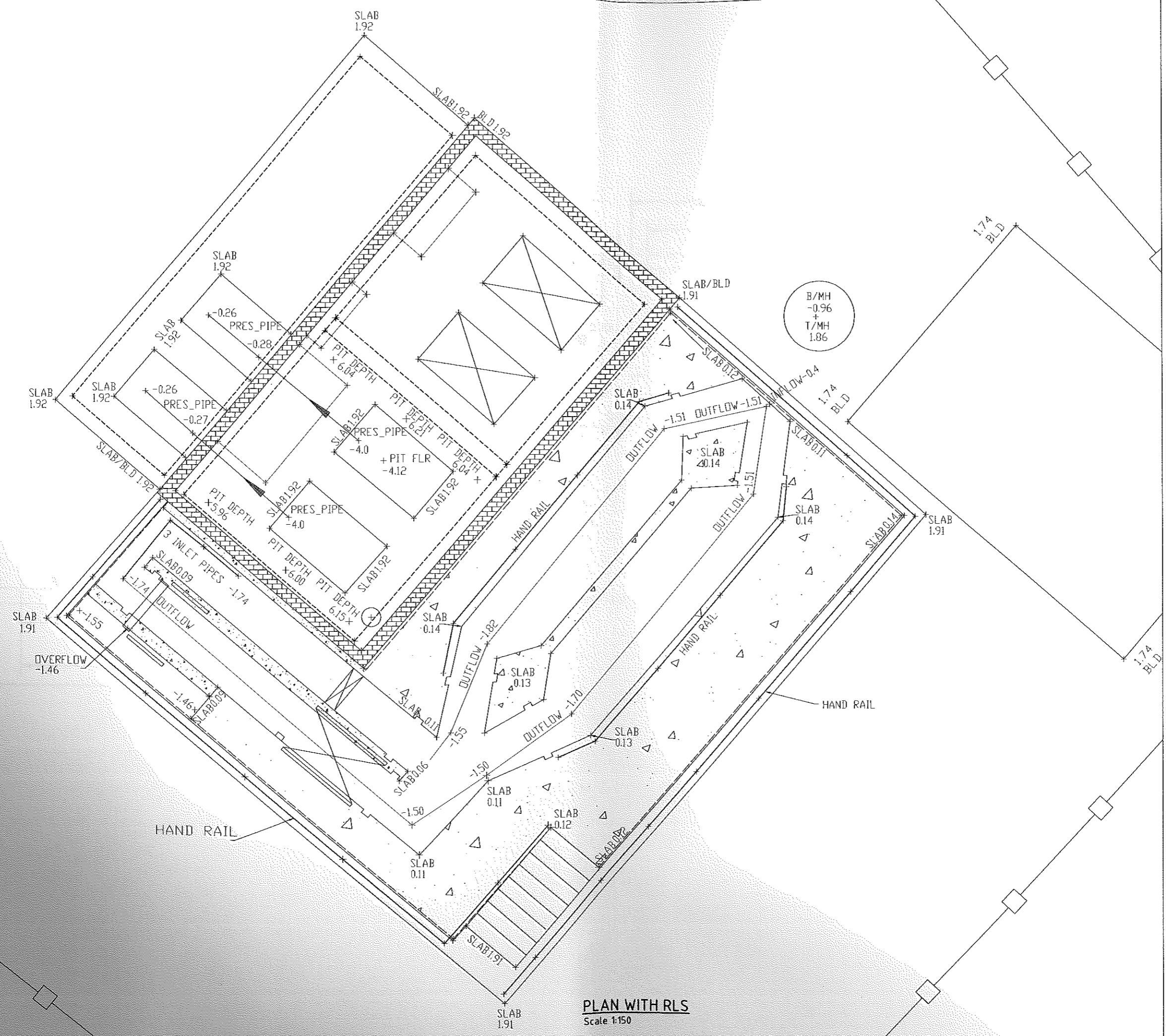
Origin

Surveyed KG	Date JUNE 2011
Computed LB/KG	Checked KG
Civilcad File 050411kg	AutoCAD File SEAPARK

aps
ASIA PACIFIC SURVEYS
Surveyors Town Planners
& Mapping Consultant

Section 78 Lot 16 Madaha Street Gordons
PO Box 1271 Port Moresby
NCD Papua New Guinea
Tel (675) 325 6756 Fax (675) 325 6732
Email : aps@aps.com.pg

Reference



PLAN WITH RLS
Scale 1:150

© Copyright
The intellectual property contained in these designs, plans and specifications as represented on this document and contained in the accompanying digital format remains the exclusive property of Asia Pacific Surveys Limited and may not be used, copied or reproduced wholly or in part without the written permission of Asia Pacific Surveys Limited

Amendments

Associated Consultants

Client
JICA

Project
Port Moresby Sewerage Project

Detail
Pump Station Seapark

Scale **1 : 150**

Level Datum

Origin

Surveyed KG/KI	Date JUNE 2011
Computed KG/LB	Checked KG
Civilcad File 050411kg	AutoCAD File SEAPARK



Surveyors Town Planners
& Mapping Consultant

Section 78 Lot 16 Madaha Street Gordons
PO Box 1271 Port Moresby
NCD Papua New Guinea
Tel (675) 325 6756 Fax (675) 325 6732
Email : aps@aps.com.pg

Reference

© Copyright
 The intellectual property contained in these designs, plans and specifications as represented on this document and contained in the accompanying digital format remains the exclusive property of Asia Pacific Surveys Limited and may not be used, copied or reproduced wholly or in part without the written permission of Asia Pacific Surveys Limited

Amendments

Associated Consultants

Client
JICA

Project
Port Moresby Sewerage Project

Details
Pump Station Seapark Section

Scale **1 : 150**

Level Datum

Origin

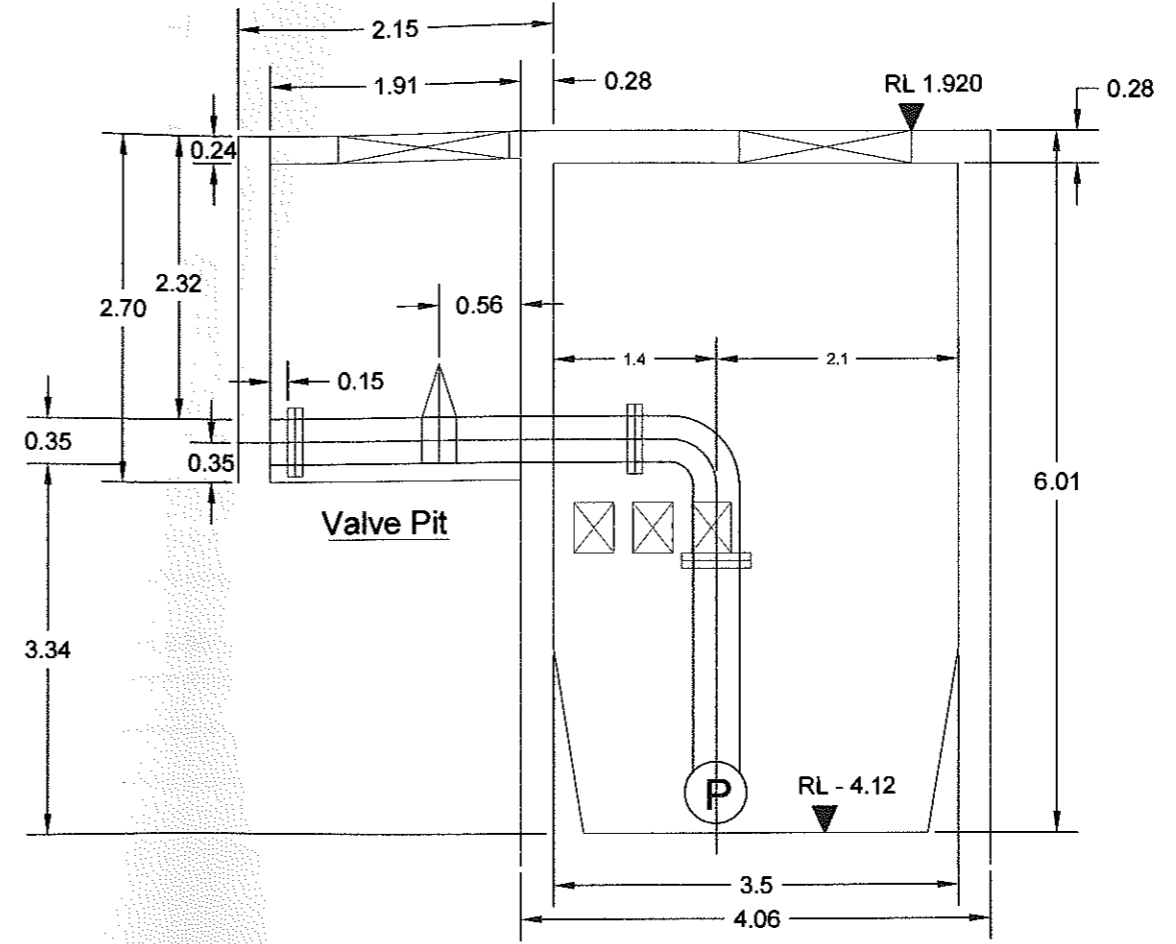
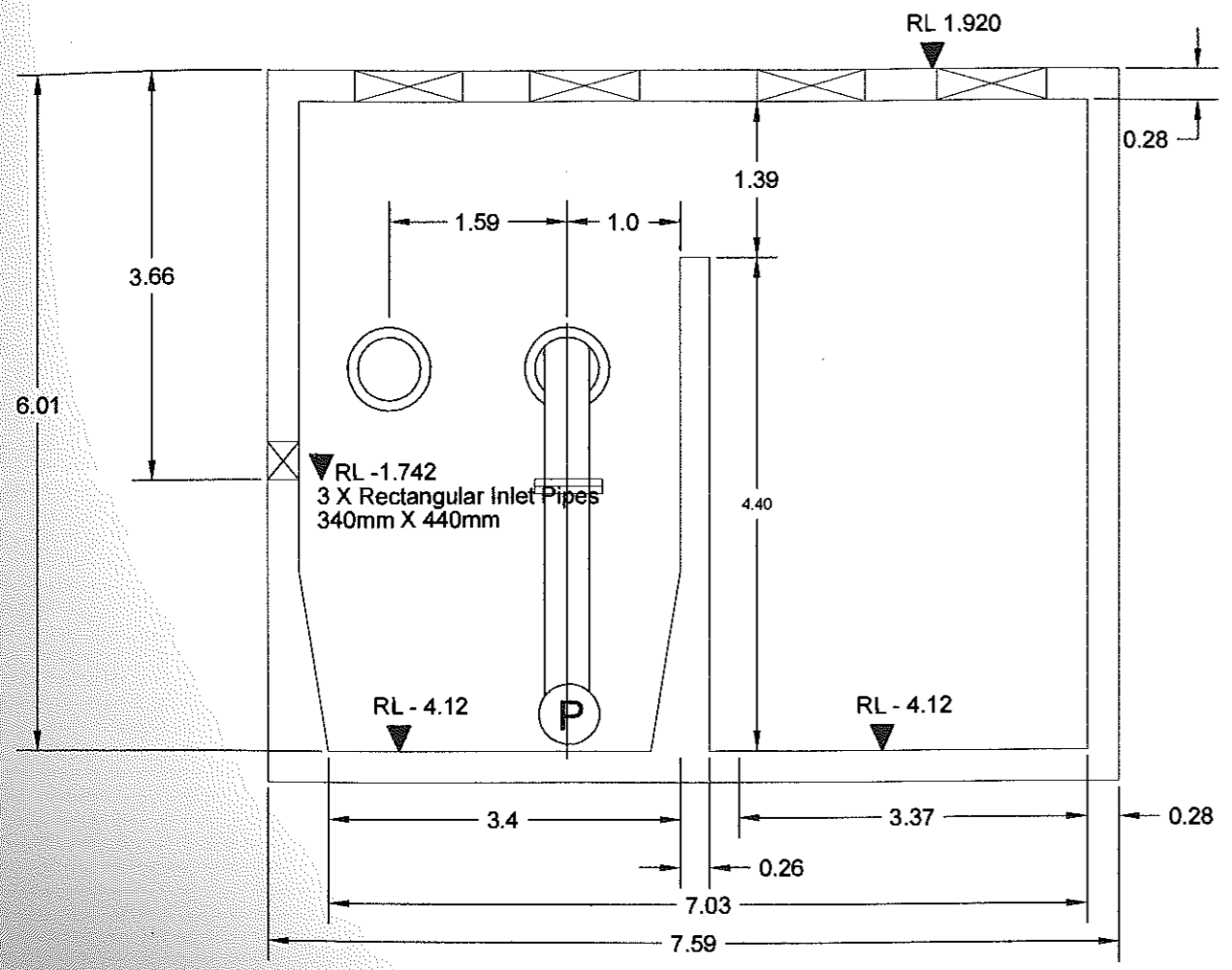
Surveyed KG	Date JUNE 2011
Computed KG/LB	Checked KG
Civilcad File 050411kg	AutoCAD File SEAPARK



Surveyors Town Planners & Mapping Consultant

Section 78 Lot 16 Madaha Street Gordons
 PO Box 1271 Port Moresby
 NCD Papua New Guinea
 Tel (675) 325 6756 Fax (675) 325 6732
 Email : aps@aps.com.pg

Reference



© Copyright
 The intellectual property contained in these designs, plans and specifications as represented on this document and contained in the accompanying digital format remains the exclusive property of Asia Pacific Surveys Limited and may not be used, copied or reproduced wholly or in part without the written permission of Asia Pacific Surveys Limited

Amendments

Associated Consultants

Client
JICA

Project
Port Moresby Sewerage Project

Details
Pump Station Seapark Handrails

Scale **1 : 150**

Level Datum

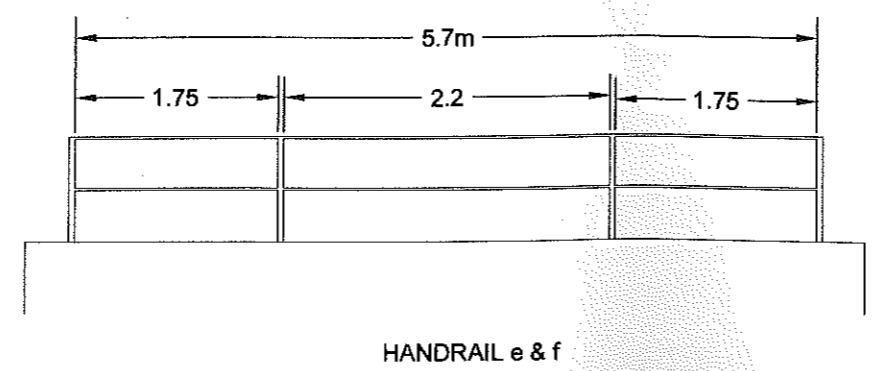
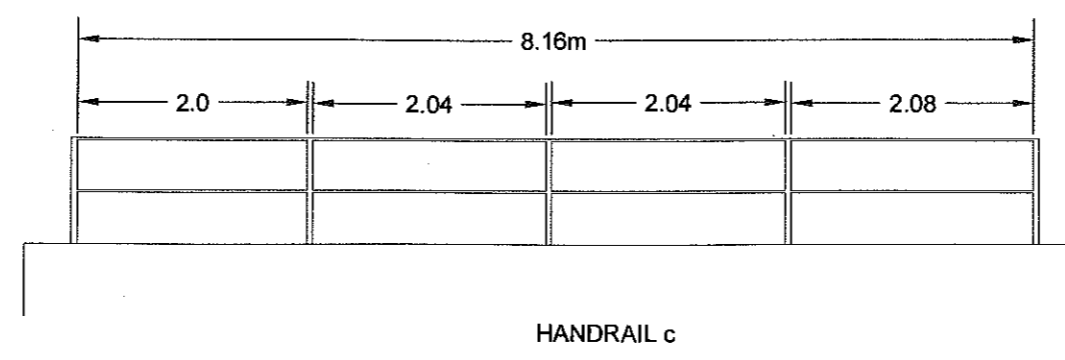
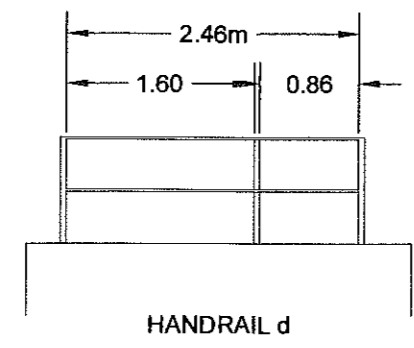
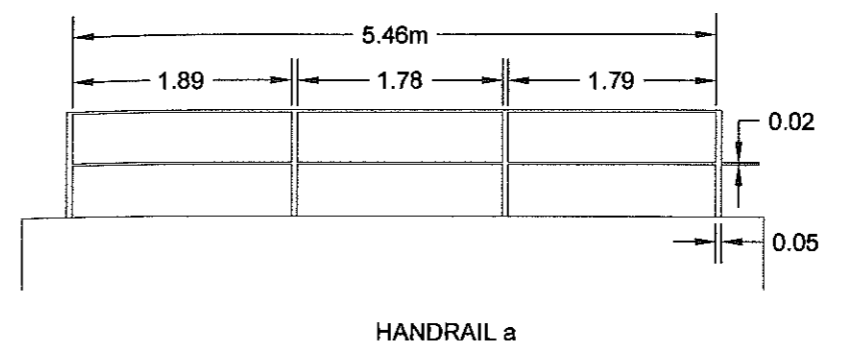
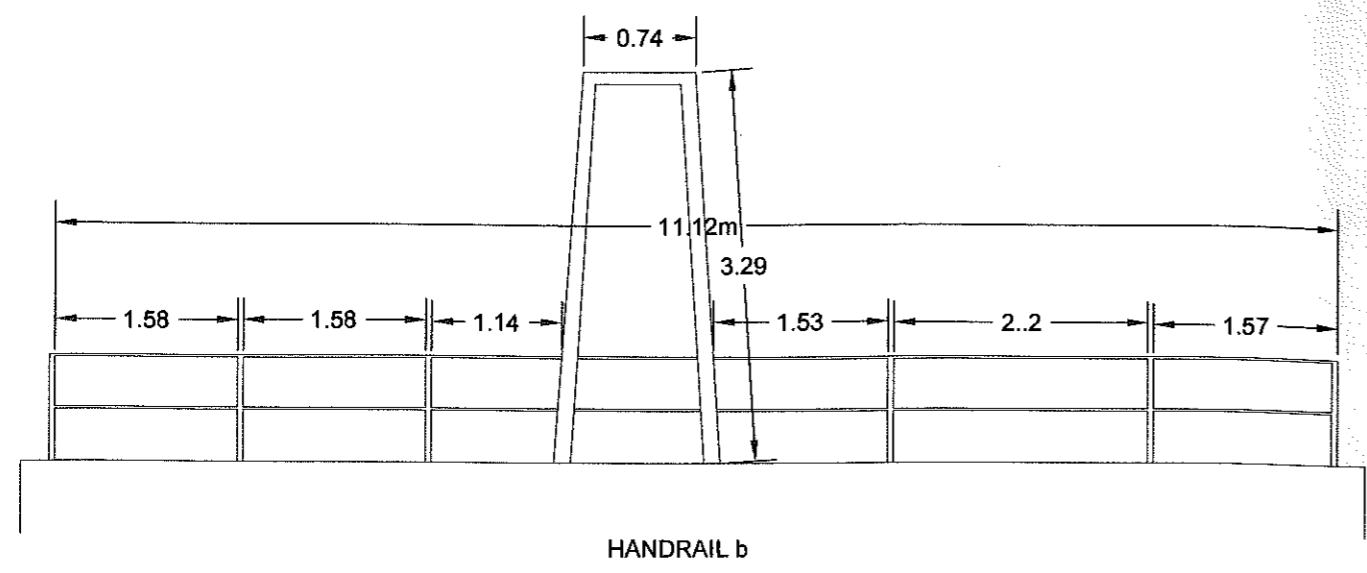
Origin

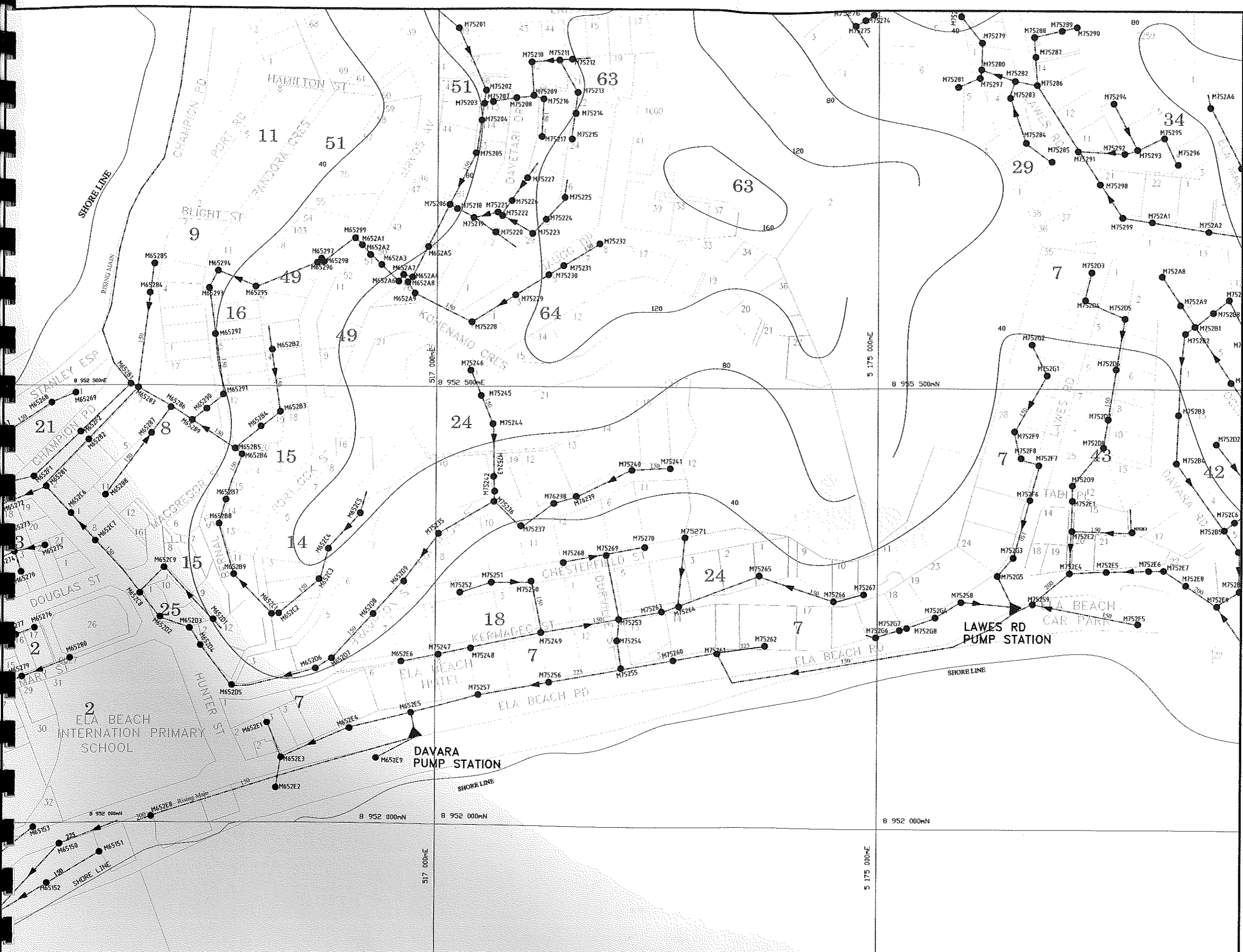
Surveyed <i>KG</i>	Date <i>JUNE 2011</i>
Computed <i>KG/LB</i>	Checked <i>KG</i>
Civilcad File <i>050411kg</i>	AutoCAD File <i>SEAPARK</i>

aps
 ASIA PACIFIC SURVEYS
 Surveyors Town Planners
 & Mapping Consultant

Section 78 Lot 16 Madaha Street Gordons
 PO Box 1271 Port Moresby
 NCD Papua New Guinea
 Tel (675) 325 6756 Fax (675) 325 6732
 Email : ops@aps.com.pg

Reference





© Copyright
 The intellectual property contained in these designs, plans and specifications as represented on this document and contained in the accompanying digital format remains the exclusive property of Asia Pacific Surveys Limited and may not be used, copied or reproduced wholly or in part without the written permission of Asia Pacific Surveys Limited

Amendments

Associated Consultants

Client
JICA

Project
Jica, Port Moresby Sewerage

Details
Davara Pumping Station

Scale **1 : 4000**

Level Datum

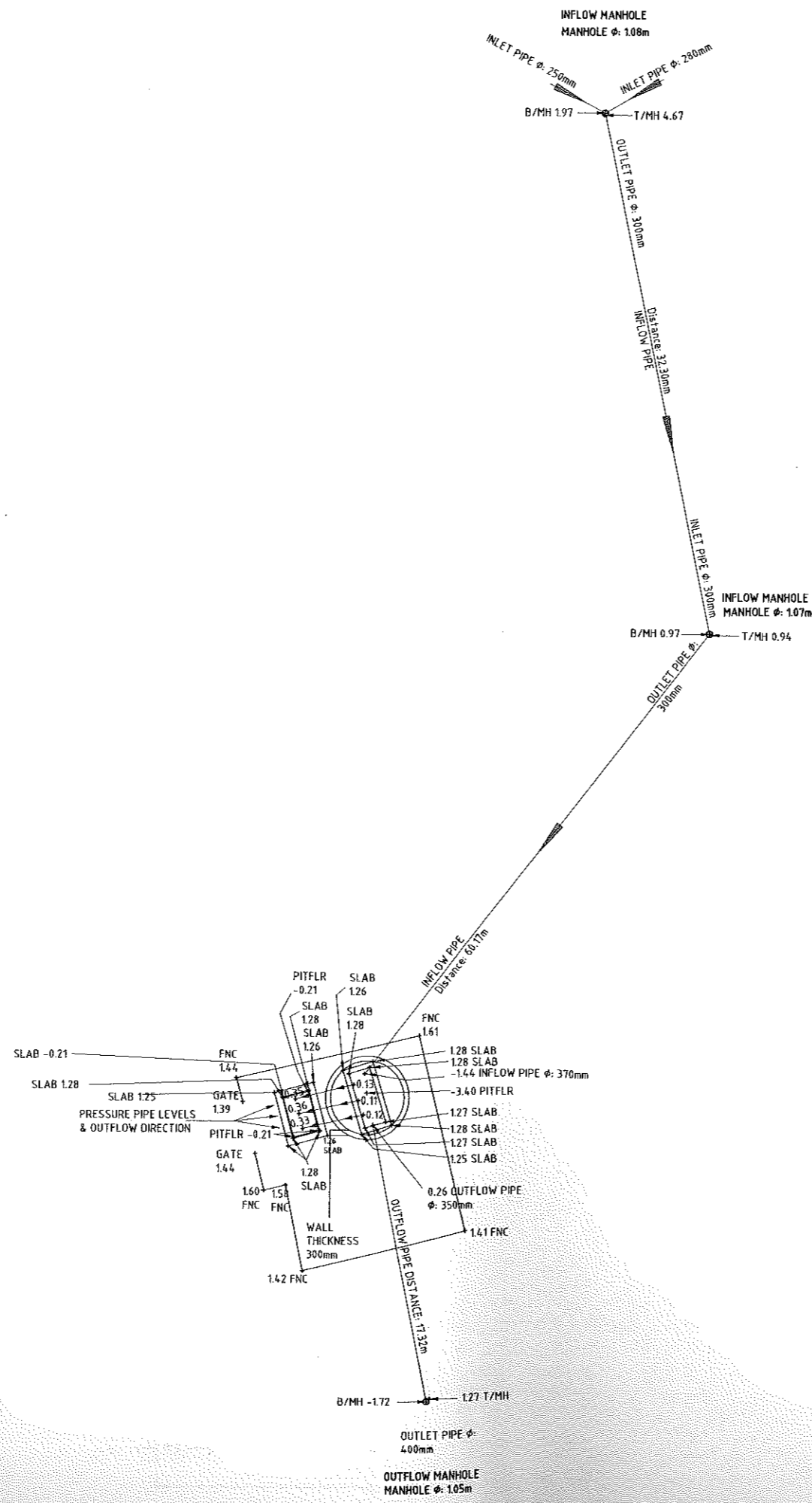
Origin

Surveyed KG	Date JUNE 2011
Computed LB	Checked GM
Civilcad File	AutoCAD File Davara

ASIA PACIFIC SURVEYS
 Surveyors Town Planners
 & Mapping Consultant

Section 78 Lot 16 Madaha Street Gordons
 PO Box 1271 Port Moresby
 NCD Papua New Guinea
 Tel (675) 325 6756 Fax (675) 325 6732
 Email : aps@aps.com.pg

Reference



© Copyright

The intellectual property contained in these designs, plans and specifications as represented on this document and contained in the accompanying digital format remains the exclusive property of Asia Pacific Surveys Limited and may not be used, copied or reproduced wholly or in part without the written permission of Asia Pacific Surveys Limited

Amendments

Associated Consultants

Client

JICA

Project

Port Moresby
Sewerage Project

Detail

Pump Station
Davara

Scale 1 : 350

Level Datum

Origin

Surveyed KG/KI	Date JUNE 2011
Computed KG	Checked KG
Civilcad File DAVARA	AutoCAD File DAVARA



Surveyors Town Planners
& Mapping Consultant

Section 78 Lot 16 Madaha Street Gordons
PO Box 1271 Port Moresby
NCD Papua New Guinea
Tel (675) 325 6756 Fax (675) 325 6732
Email : aps@aps.com.pg

Reference

The intellectual property contained in these designs, plans and specifications as represented on this document and contained in the accompanying digital format remains the exclusive property of Asia Pacific Surveys Limited and may not be used, copied or reproduced wholly or in part without the written permission of Asia Pacific Surveys Limited.

Amendments:

Associated Consultants:

Client:

JICA

Project:

JICA Port Moresby Sewerage Project

Details

Davara Ela Beach Pump Station

Scale: 1:350

Surveyed: *KG* Date: *March 2011*

Computed: *KG* Checked: *KI/GM*

Civcad File: *DAVARA* Autocad File: *DAVARA*

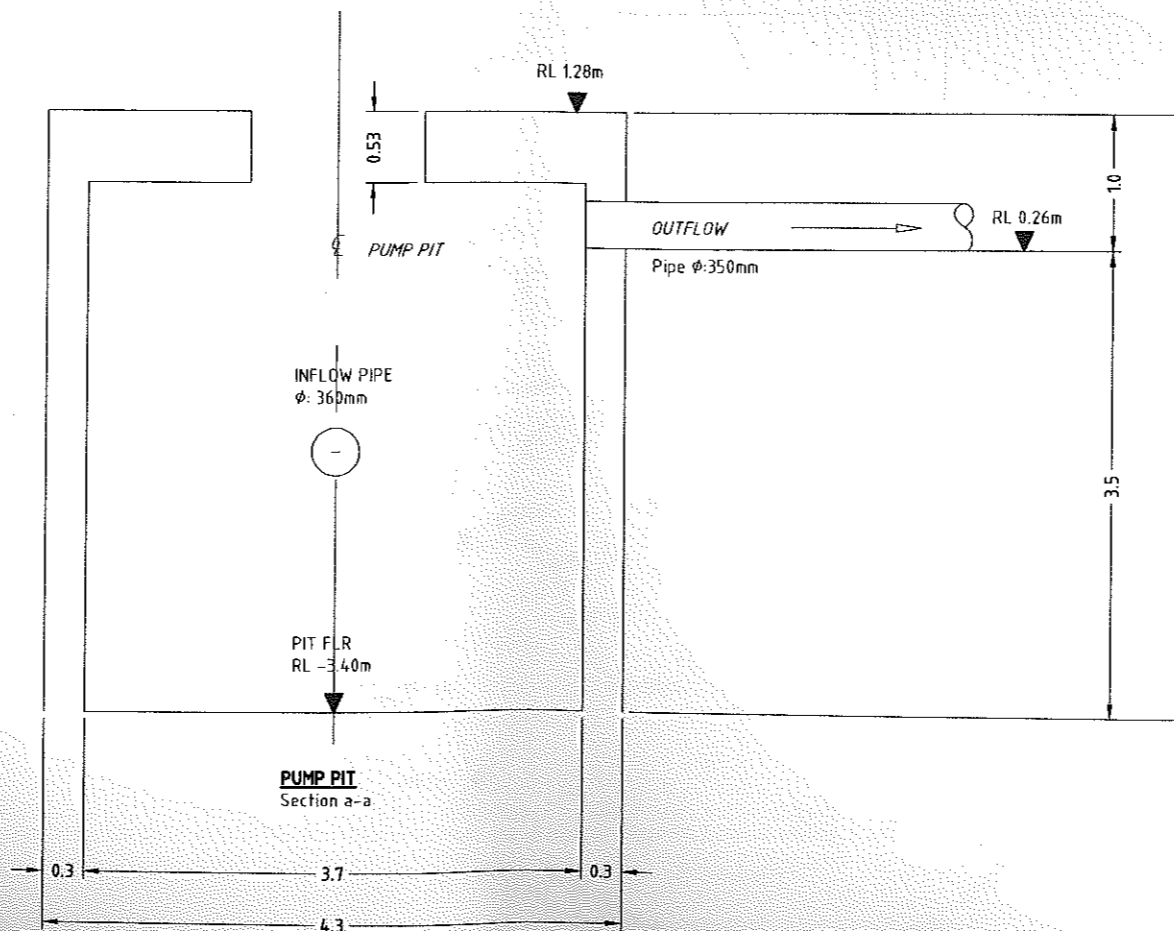
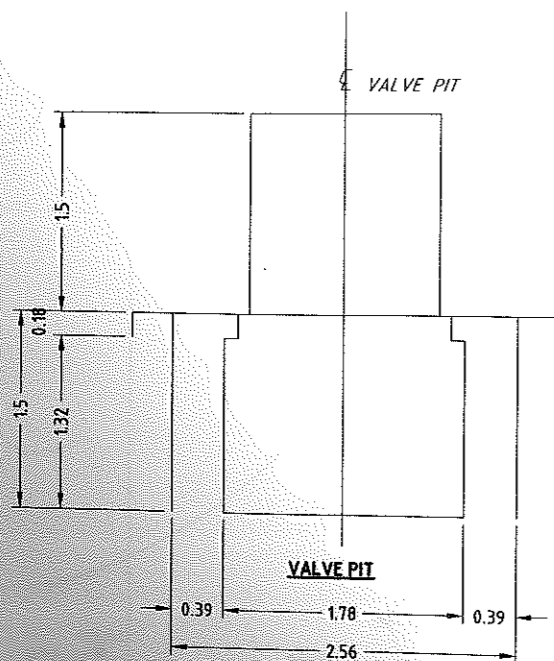
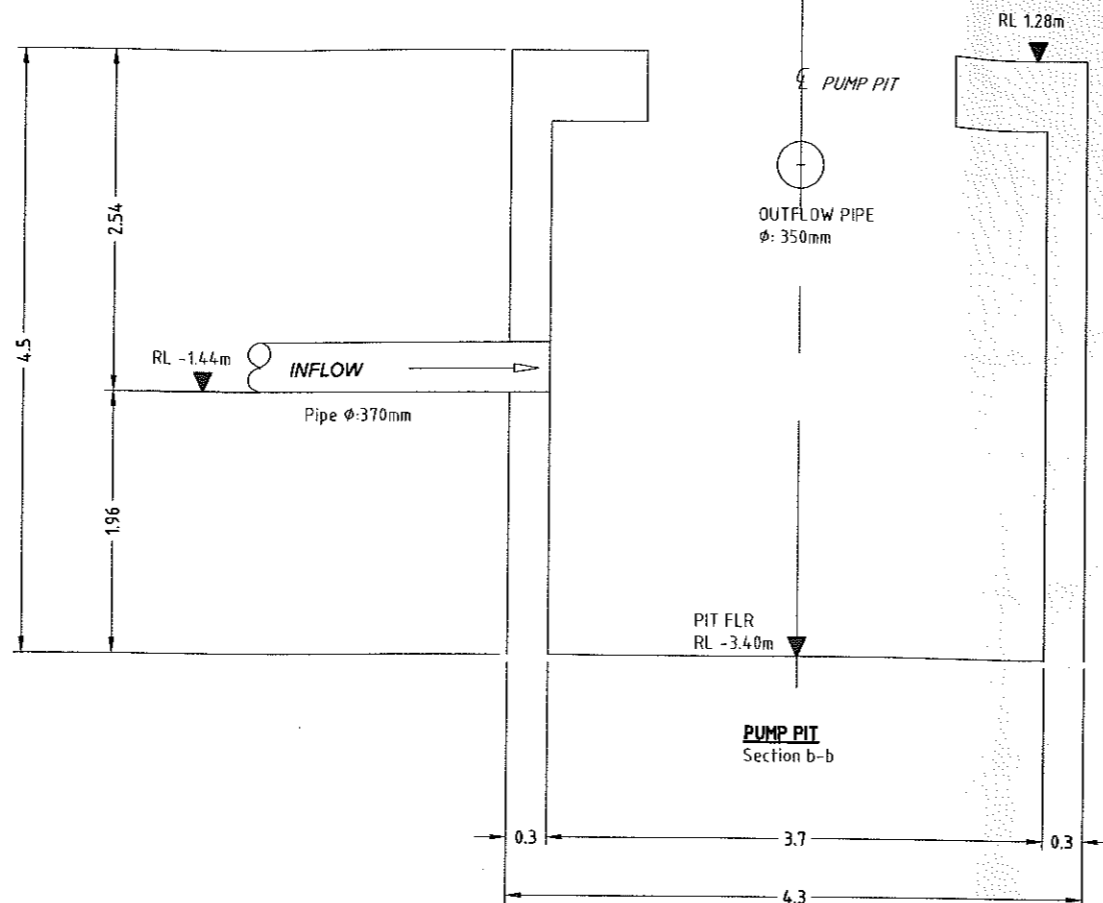


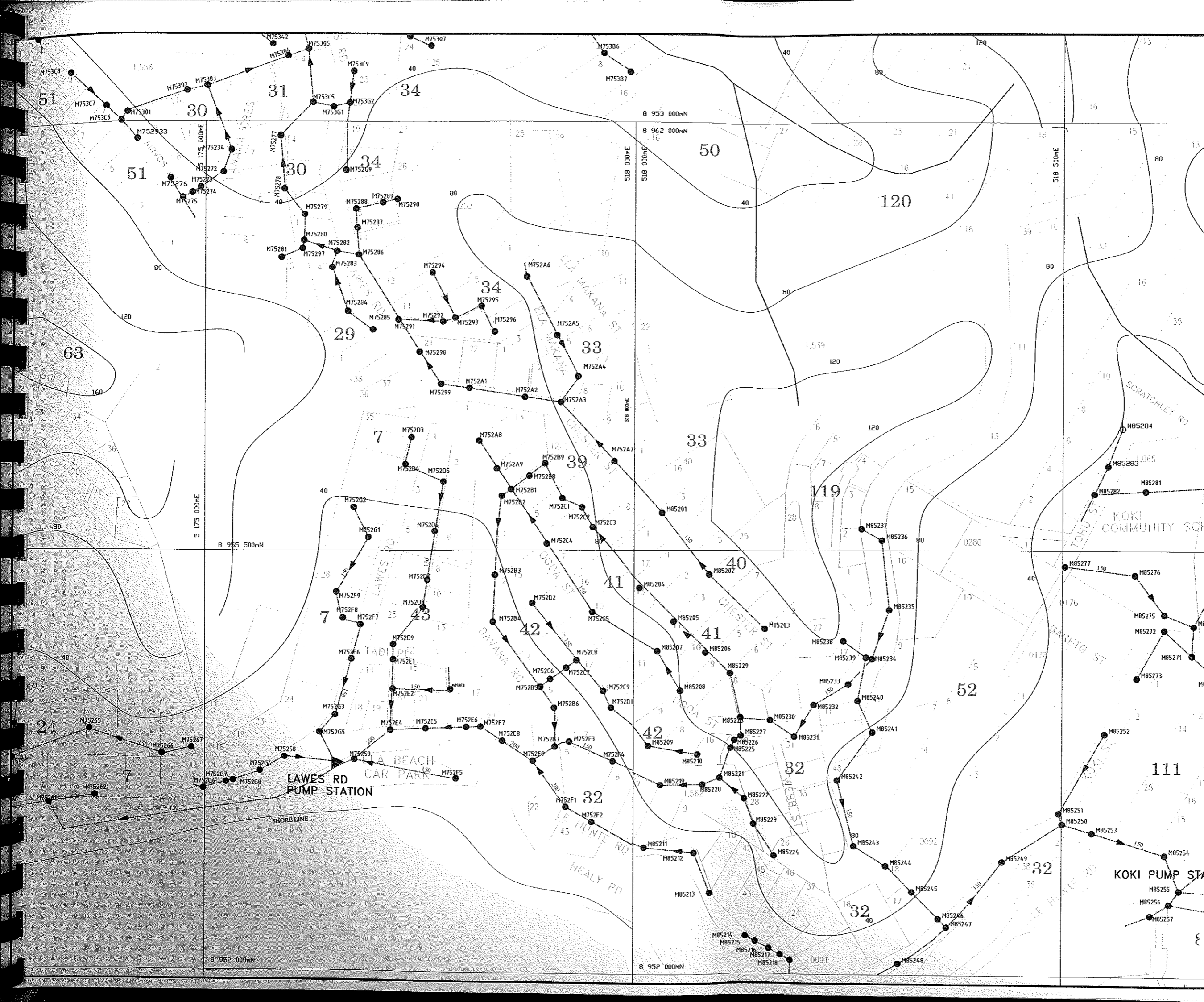
ASIA PACIFIC SURVEYS

Surveyors - Town Planners & Mapping Consultants

Section 72 Lot 18 Madaha Street Gordans
 PO Box 1271 Port Moresby NCD PNG
 Tel (675) 325 6756 Fax (675) 325 6752
 Email : aps@aps.com.pg

Reference





© Copyright
 The intellectual property contained in these designs, plans and specifications as represented on this document and contained in the accompanying digital format remains the exclusive property of Asia Pacific Surveys Limited and may not be used, copied or reproduced wholly or in part without the written permission of Asia Pacific Surveys Limited

Amendments

Associated Consultants

Client
JICA

Project
Jica, Port Moresby Sewerage

Details
Lawes Pumping Station

Scale **1 : 4000**

Level Datum

Origin

Surveyed KG	Date JUNE 2011
Computed LB	Checked GM
Civilcad File	AutoCAD File Lawes



Surveyors Town Planners
 & Mapping Consultant

Section 78 Lot 16 Madaha Street Gordons
 PO Box 1271 Port Moresby
 NCD Papua New Guinea
 Tel (675) 325 6756 Fax (675) 325 6732
 Email : aps@aps.com.pg

Reference

© Copyright
 The intellectual property contained in these designs, plans and specifications or represented on this document and contained in the accompanying digital format remains the exclusive property of Asia Pacific Surveys Limited and may not be used, copied or reproduced without the written permission of Asia Pacific Surveys Limited.

Amendments

Associated Consultants

Client
JICA

Project
JICA Port Moresby Sewerage Project

Details
Lawes Road Pump Station

Scale 1 : 75

Level Datum: CDW

Origin: Paga Grid

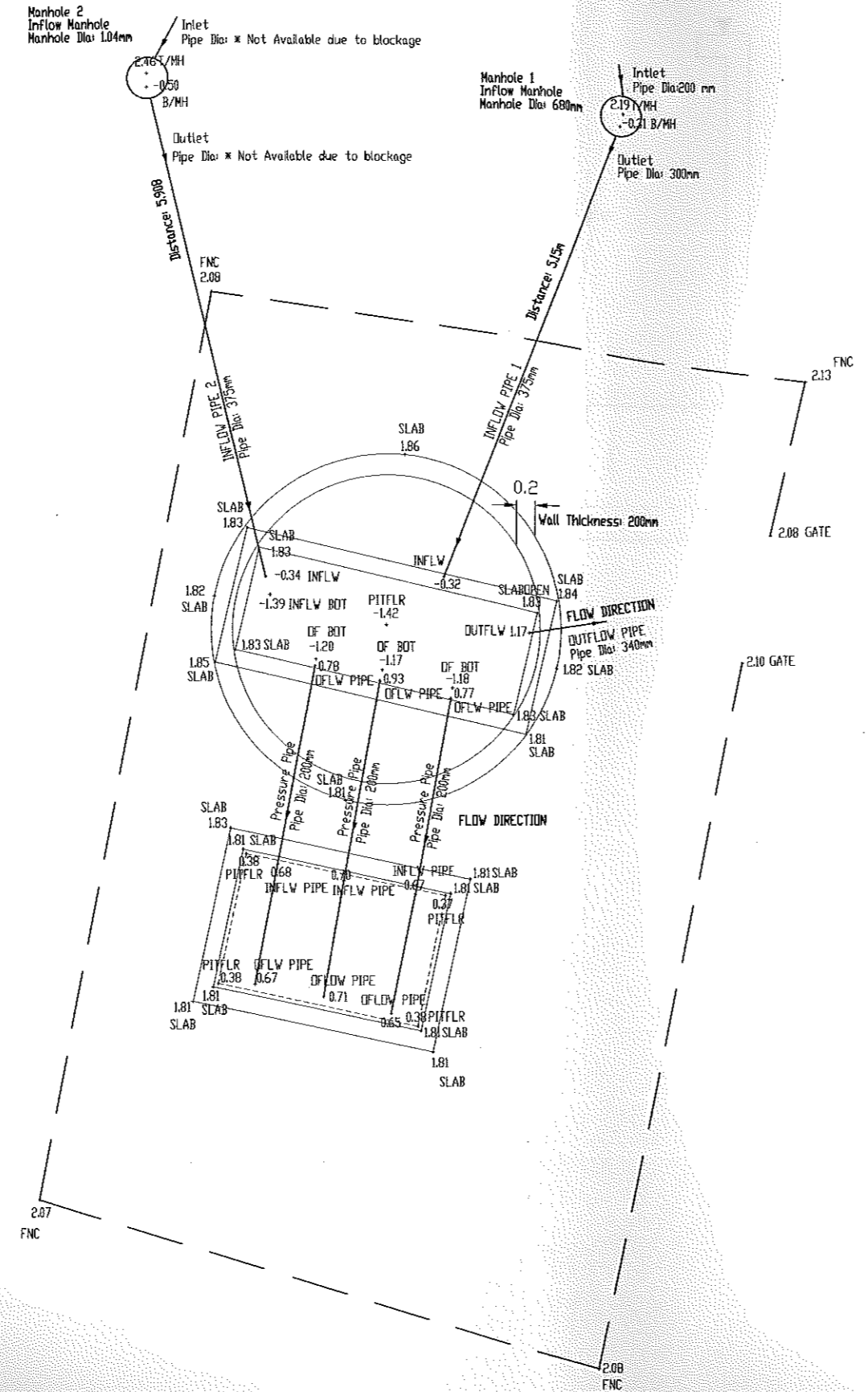
Surveyed	KI/KG	Date	APRIL 2011
Computed	KG	Checked	APS_GM
Coad File	07041kg	Acad File	Lawes



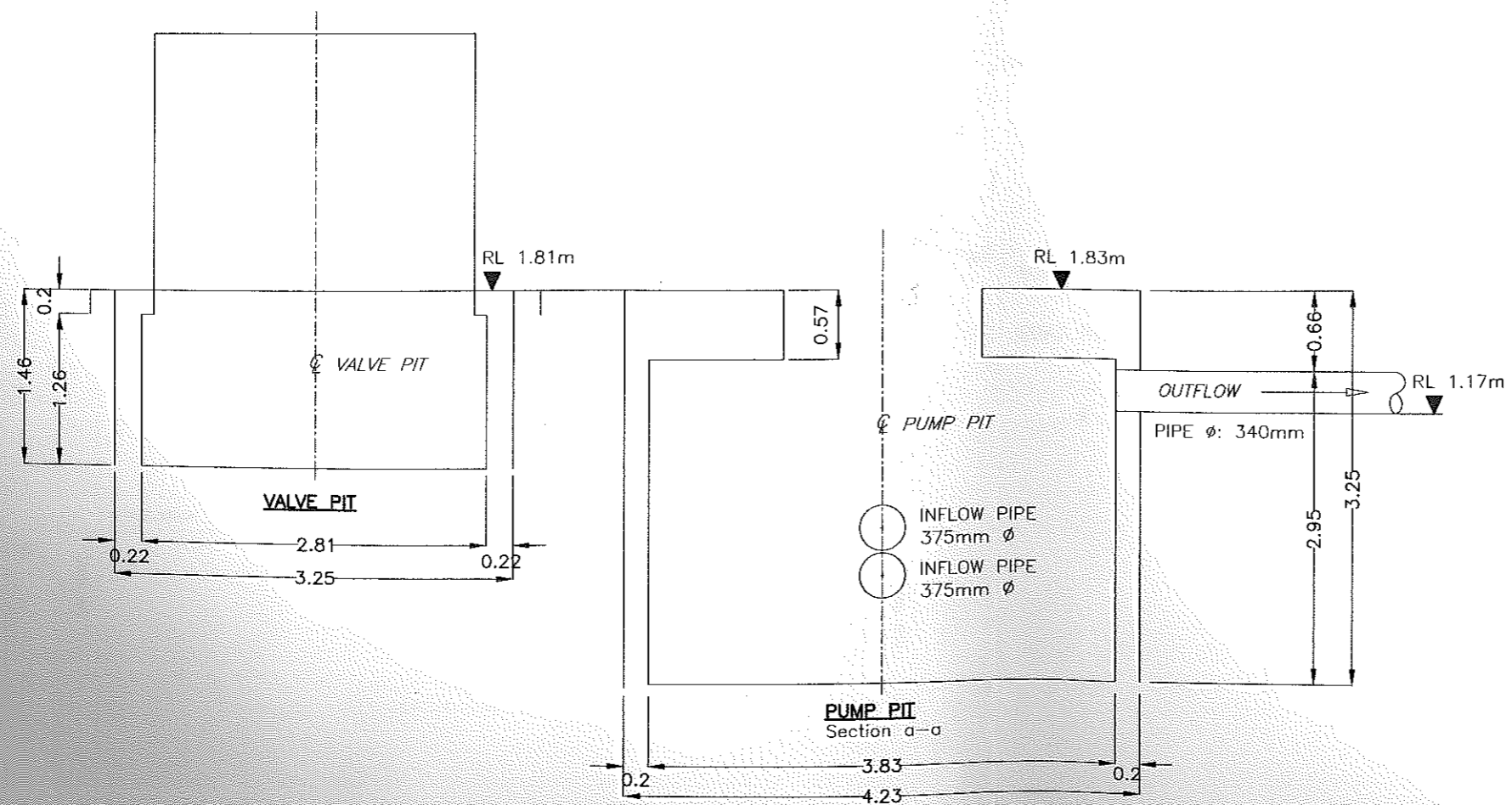
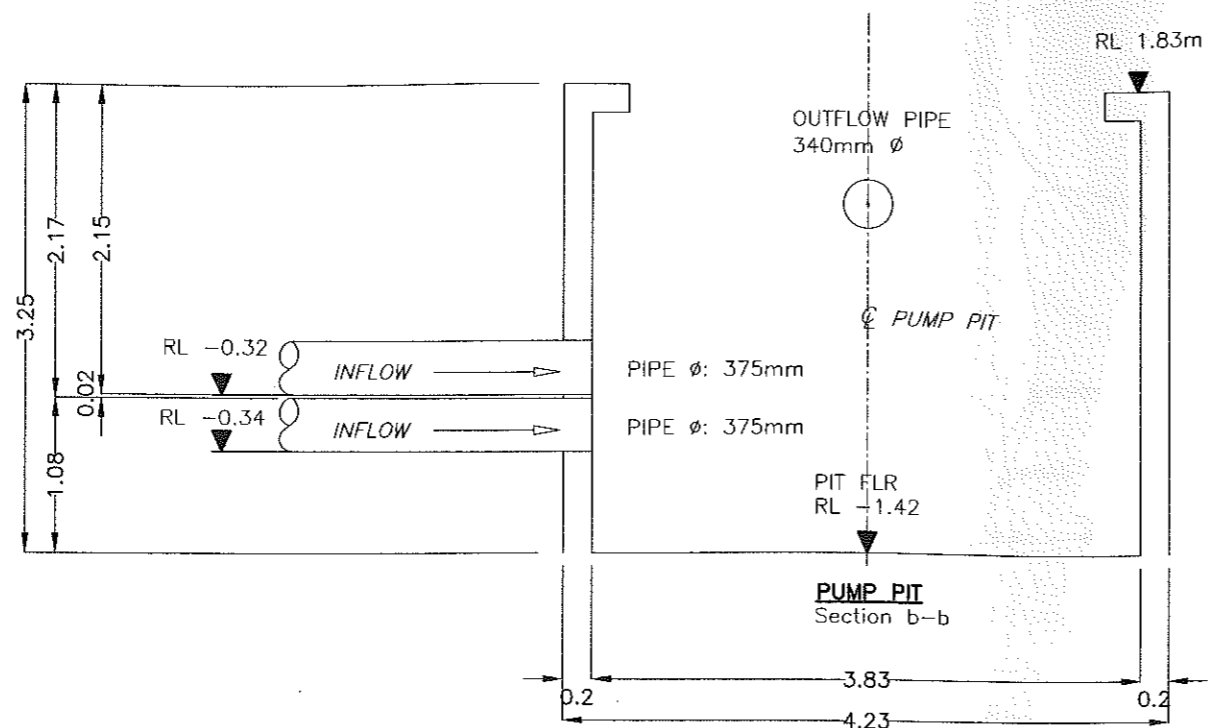
Surveyors Town Planners & Mapping Consultant

Section 72 Lot 18 Madaha Street Gordons
 PO Box 1271 Port Moresby
 NCD Papua New Guinea
 Tel (675) 325 6756 Fax (675) 325 6732
 Email : aps@aps.com.pg

Reference



SCALE: 1:75



Amendments:

Associated Consultants:

Client:

JICA

Project:

JICA Port Moresby Sewerage Project

Details

Lawes Road Pump Station

Scale: 1:75

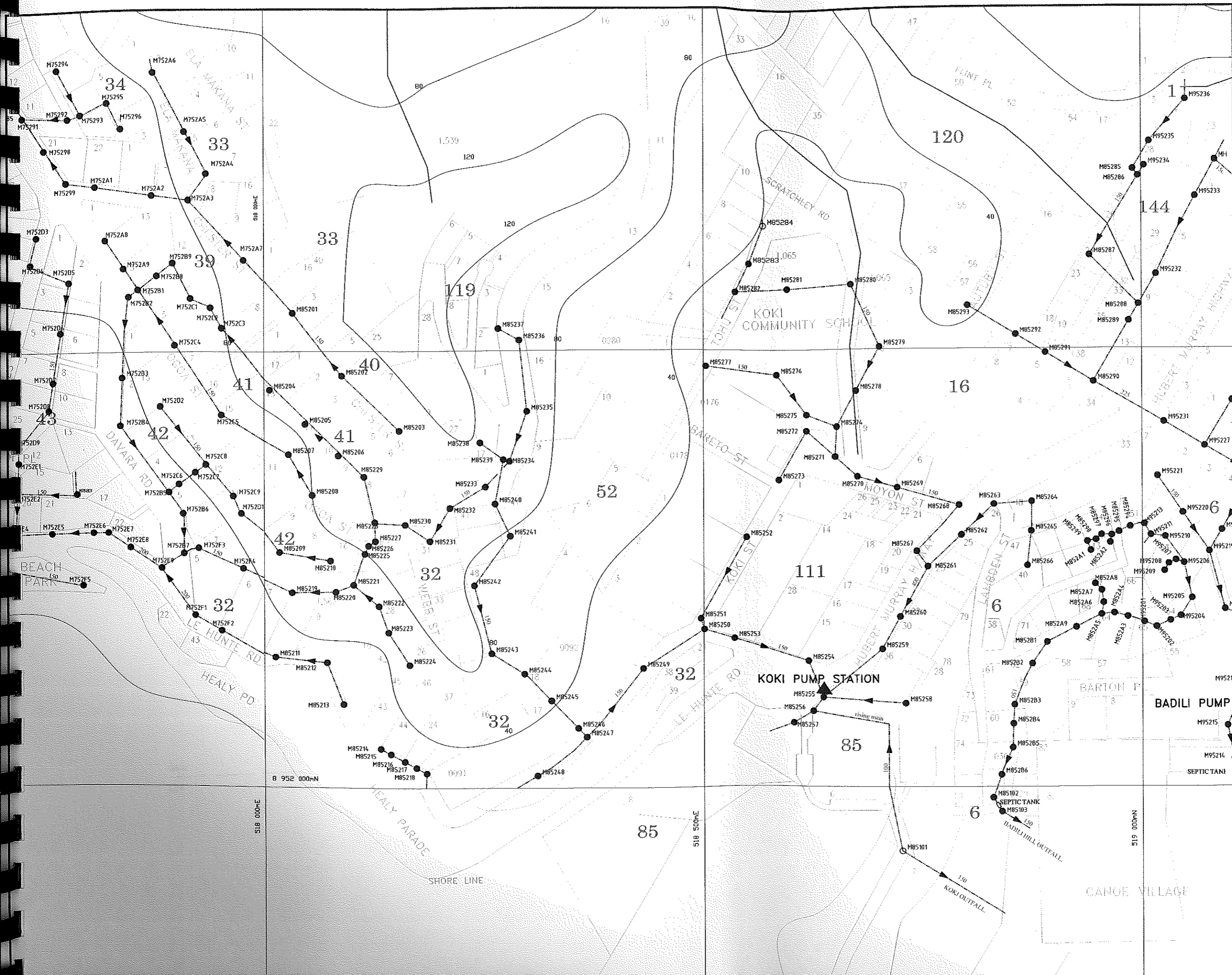
Surveyed: KG	Date: March 2011
Computed: KG	Checked: KI/GM
Civcad File: 070411kg	Autocad File: LAWES



ASIA PACIFIC SURVEYS
Surveyors - Town Planners & Mapping Consultants

Section 72 Lot 18 Modaha Street Gordons
PO Box 1271 Port Moresby NCD PNG
Tel (675) 325 6756 Fax (675) 325 6752
Email : aps@aps.com.pg

Reference



© Copyright
 The intellectual property contained in these designs, plans and specifications as represented on this document and contained in the accompanying digital format remains the exclusive property of Asia Pacific Surveys Limited and may not be used, copied or reproduced wholly or in part without the written permission of Asia Pacific Surveys Limited

Amendments

Associated Consultants

Client
JICA

Project
Jica, Port Moresby Sewerage

Details
Koki Pumping Station

Scale **1 : 4000**

Level Datum

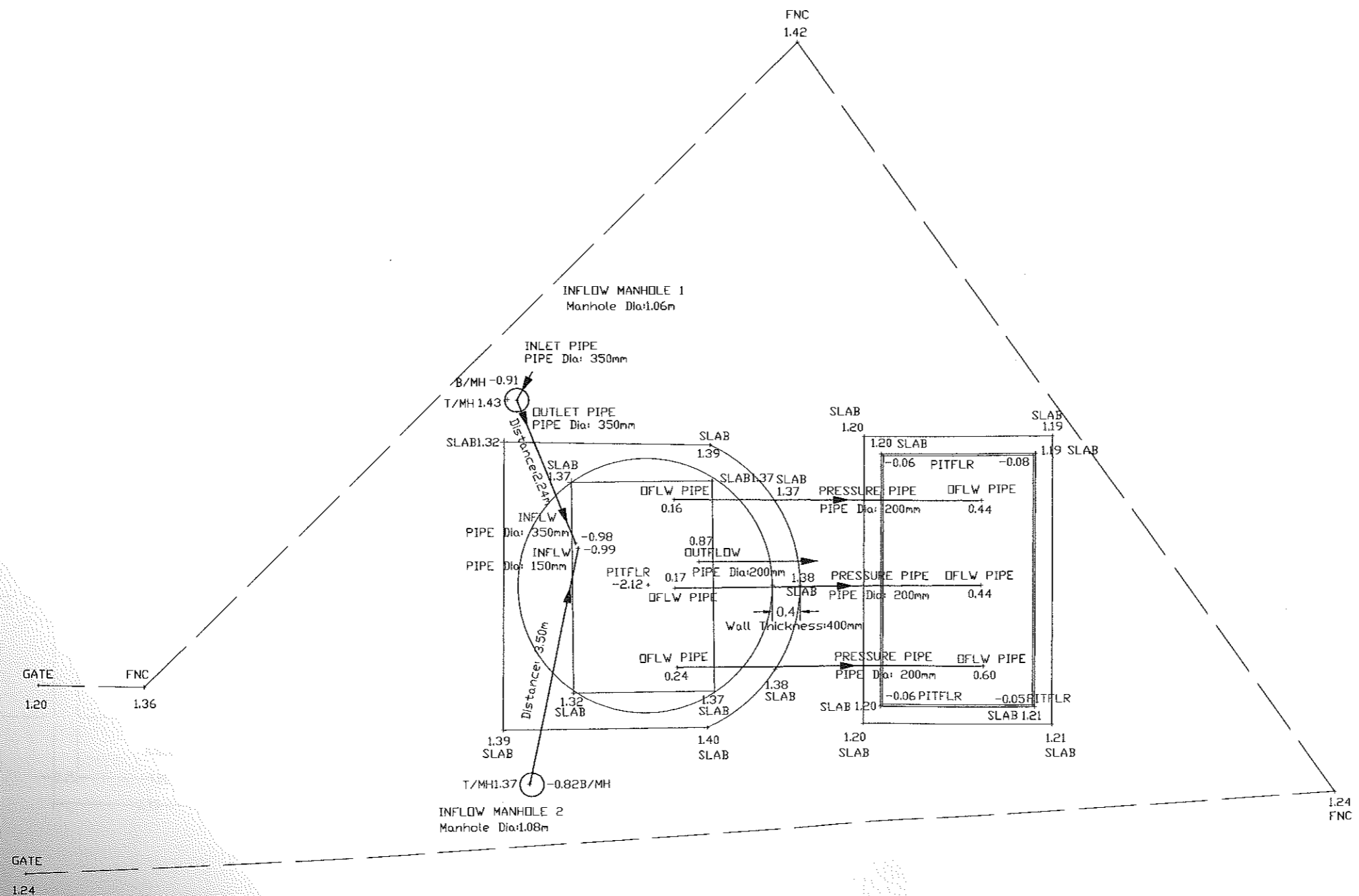
Origin

Surveyed <i>KG</i>	Date JUNE 2011
Computed <i>LB</i>	Checked <i>GM</i>
Civilcad File	AutoCAD File <i>Koki</i>

aps
 ASIA PACIFIC SURVEYS
 Surveyors Town Planners & Mapping Consultant

Section 7B Lot 16 Madaho Street Gordons
 PO Box 1271 Port Moresby
 NCD Papua New Guinea
 Tel (675) 325 6756 Fax (675) 325 6732
 Email : aps@aps.com.pg

Reference



© Copyright
 The intellectual property contained in these designs, plans and specifications as represented on this document and contained in the accompanying digital format remains the exclusive property of Asia Pacific Surveys Limited and may not be used, copied or reproduced wholly or in part without the written permission of Asia Pacific Surveys Limited

Amendments

Associated Consultants

Client

JICA

Project

Port Moresby Sewerage Project

Project

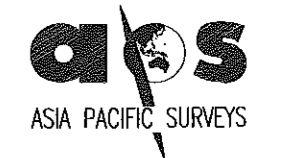
Pump Station koki

Scale **1 : 75**

Level Datum

Origin

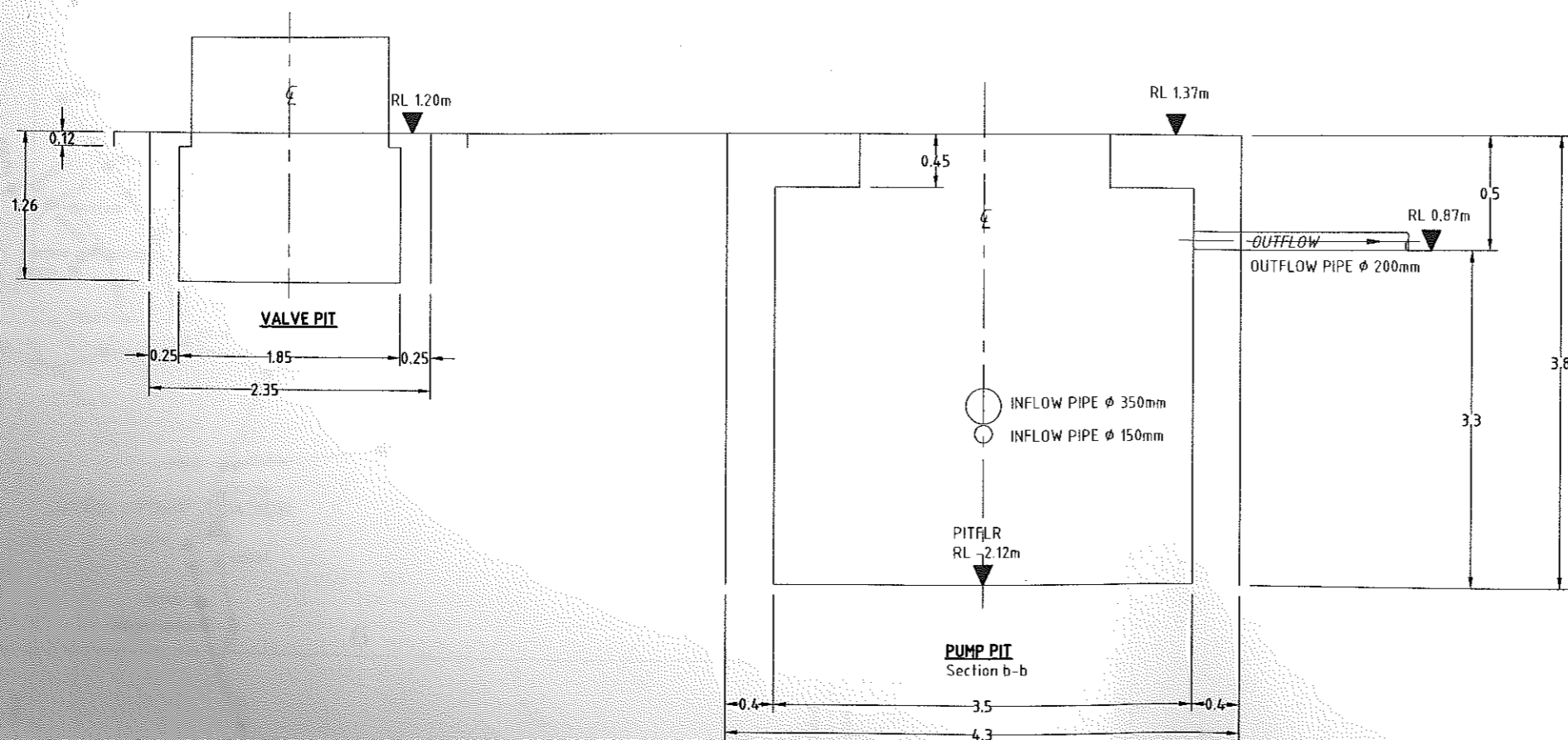
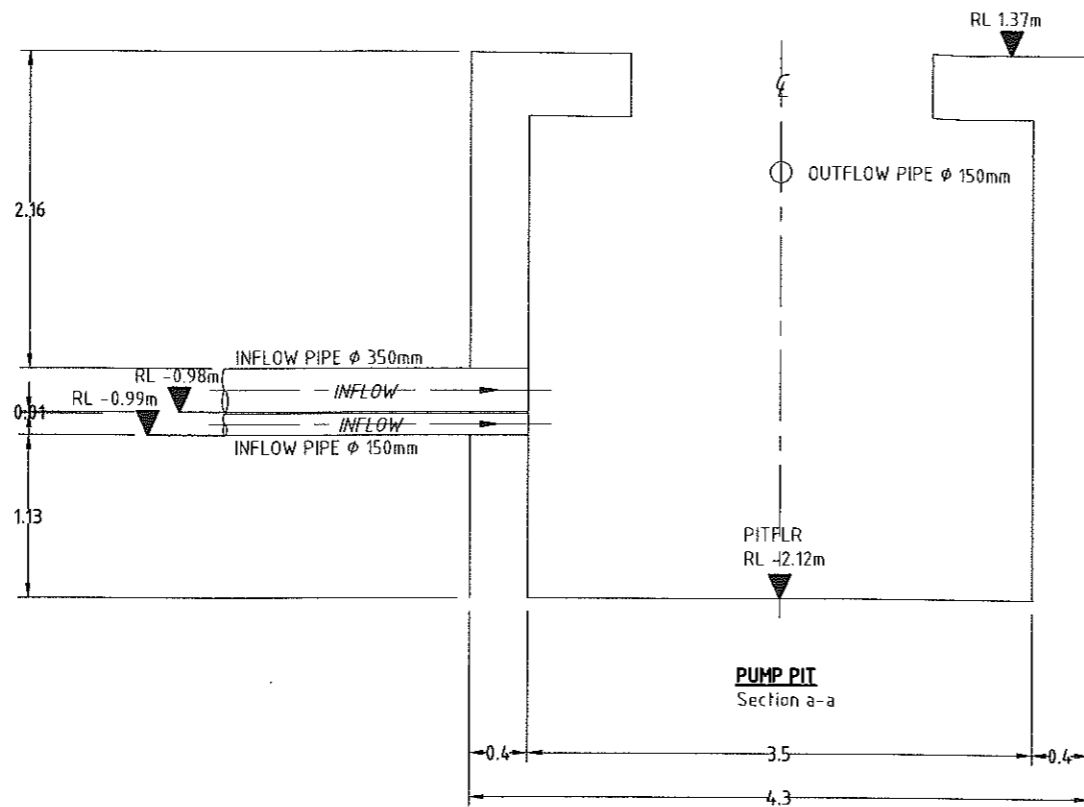
Surveyed <i>KG</i>	Date <i>JUNE 2011</i>
Computed <i>KG/LB</i>	Checked <i>KG</i>
Civilcad File <i>KOKI</i>	AutoCAD File <i>KOKI</i>



ASIA PACIFIC SURVEYS
 Surveyors Town Planners
 & Mapping Consultant

Section 78 Lot 16 Madaha Street Gordons
 PO Box 1271 Port Moresby
 NCD Papua New Guinea
 Tel (675) 325 6756 Fax (675) 325 6732
 Email : aps@aps.com.pg

Reference



© Copyright

The intellectual property contained in these designs, plans and specifications as represented on this document and contained in the accompanying digital format remains the exclusive property of Asia Pacific Surveys Limited and may not be used, copied or reproduced wholly or in part without the written permission of Asia Pacific Surveys Limited

Amendments

Associated Consultants

Client

JICA

Project

Port Moresby
Sewerage Project

Detail

Pump Station
Koki

Scale 1 : 75

Level Datum

Origin

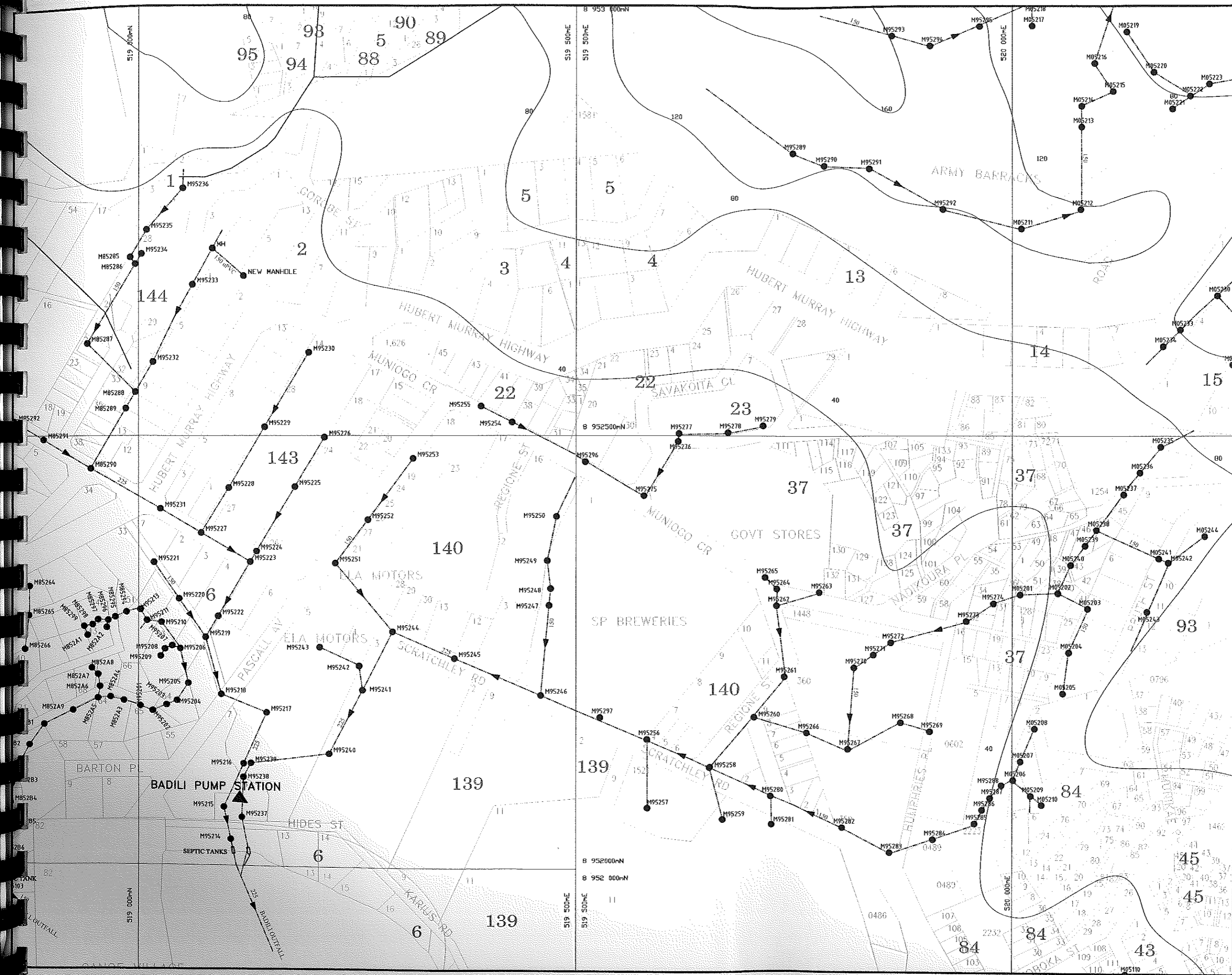
Surveyed KG	Date JUNE 2011
Computed KG/LB	Checked KG
Civilcad File KOKI	AutoCAD File KOKI



Surveyors Town Planners
& Mapping Consultant

Section 7B Lot 16 Madaha Street Gordons
PO Box 1271 Port Moresby
NCD Papua New Guinea
Tel (675) 325 6756 Fax (675) 325 6732
Email : aps@aps.com.pg

Reference



Amendments

Associated Consultants

Client
JICA

Project
Jica, Port Moresby Sewerage

Details
Badili Pumping Station

Scale **1 : 4000**

Level Datum

Origin

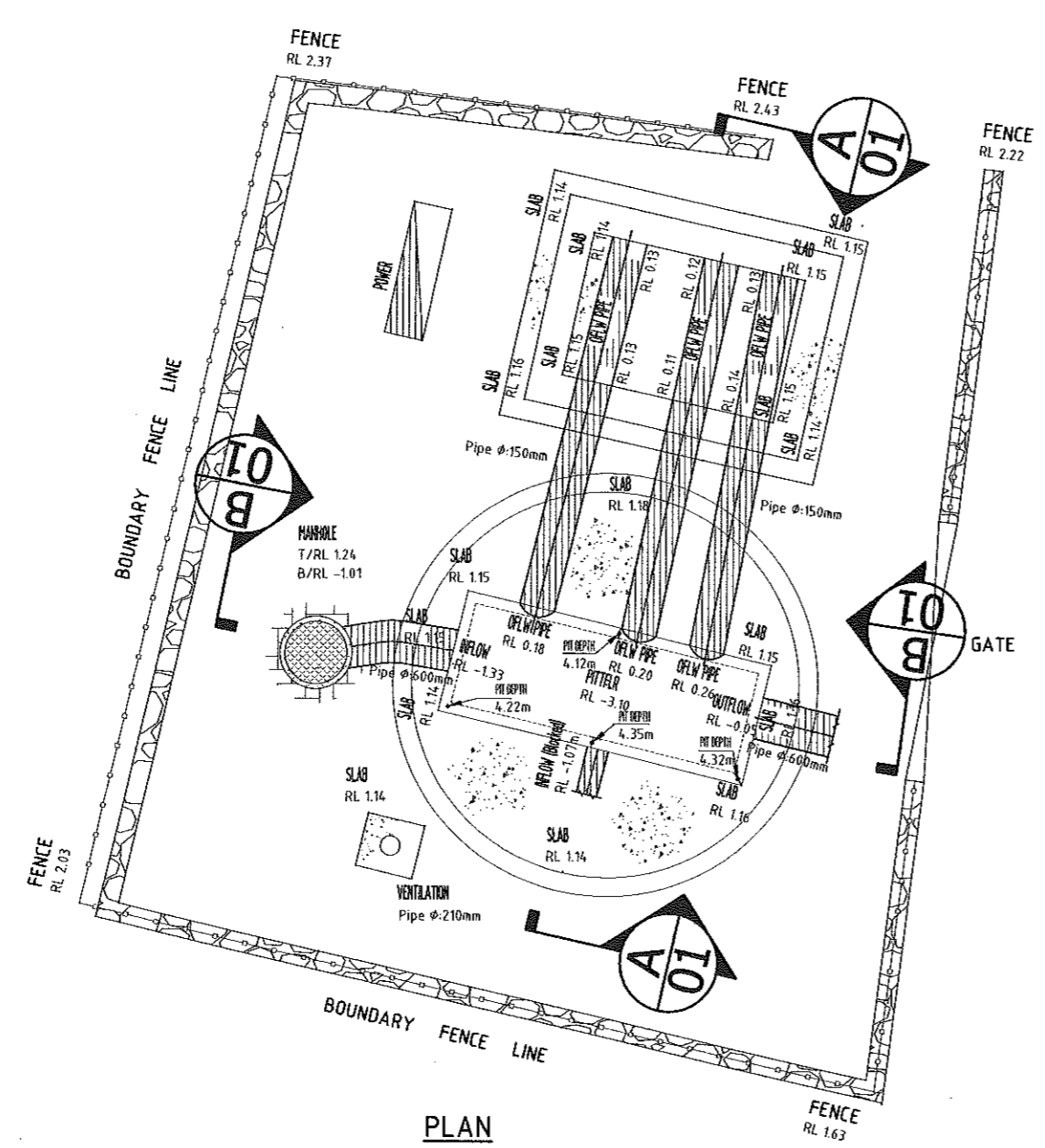
Surveyed <i>KG</i>	Date <i>JUNE 2011</i>
Computed <i>LB</i>	Checked <i>GM</i>
Civilcad File	AutoCAD File <i>Badili</i>



ASIA PACIFIC SURVEYS
 Surveyors Town Planners & Mapping Consultant

Section 78 Lot 16 Modaha Street Gordons
 PO Box 1271 Port Moresby
 NCD Papua New Guinea
 Tel (675) 325 6756 Fax (675) 325 6732
 Email : aps@aps.com.pg

Reference



PLAN
Scale 1:75

© Copyright

The intellectual property contained in these designs, plans and specifications as represented on this document and contained in the accompanying digital format remains the exclusive property of Asia Pacific Surveys Limited and may not be used, copied or reproduced wholly or in part without the written permission of Asia Pacific Surveys Limited.

Amendments:

Associated Consultants:

Client:

JICA

Project:

JICA Port Moresby Sewerage Project

Details

Badili Pump Station

Scale:

AS SHOWN

Surveyed: KG	Date: March 2011
Computed: KG/LB	Checked: KI/GM
Civcad File: 050411kg	Autocad File: BADILI



ASIA PACIFIC SURVEYS

Surveyors - Town Planners & Mapping Consultants

Section 72 Lot 18 Madaha Street Gordons
PO Box 1271 Port Moresby NCD PNG
Tel (675) 325 6756 Fax (675) 325 6752
Email : aps@aps.com.pg

Reference

Amendments:

Associated Consultants:

Client:

JICA

Project:

JICA Port Moresby Sewerage Project

Details

Badili Pump Station

Scale: AS SHOWN

Surveyed: *KG* Date: *March 2011*

Computed: *KG/LB* Checked: *KI/GM*

Civacad File: *050411kg* Autocad File: *BADILI*

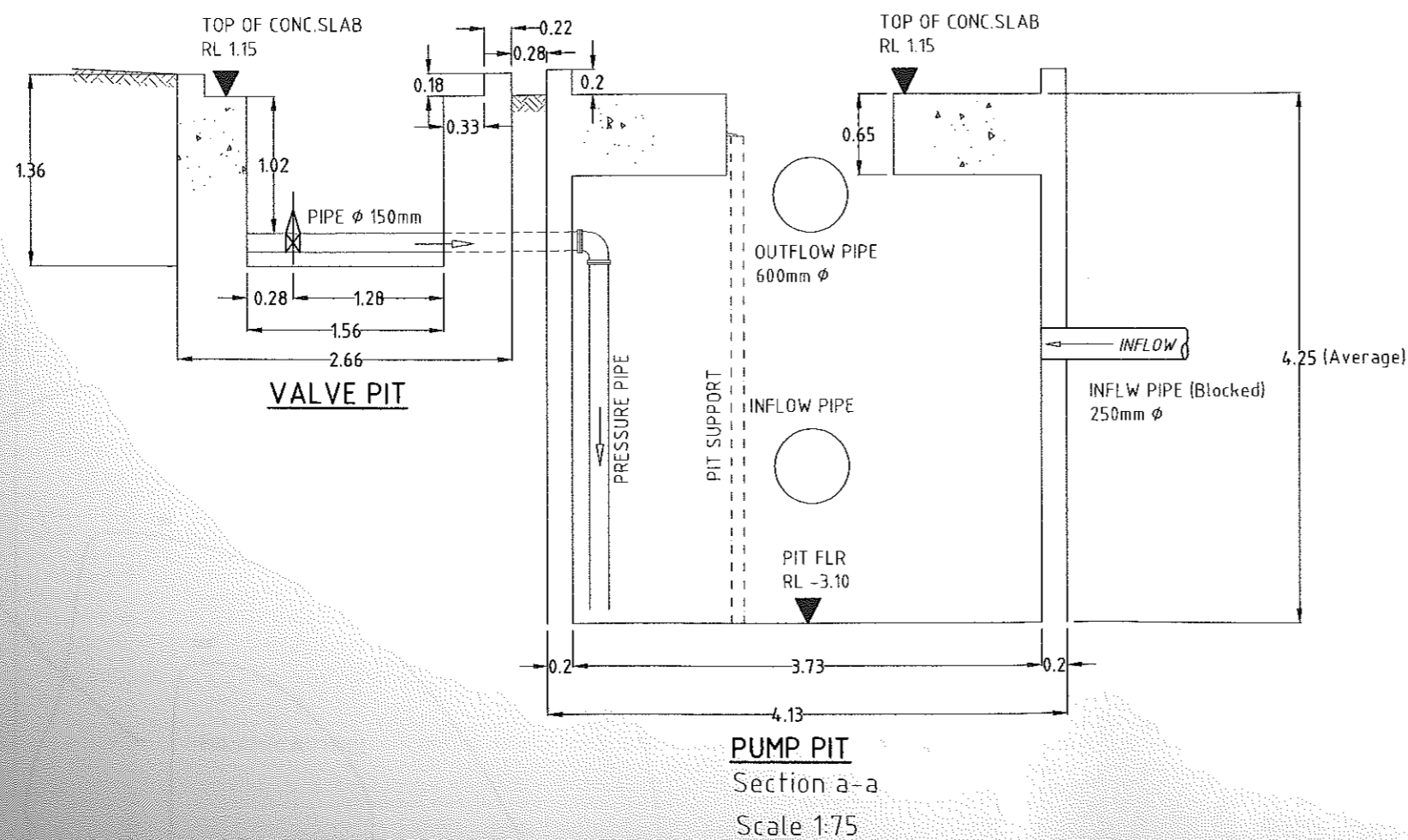
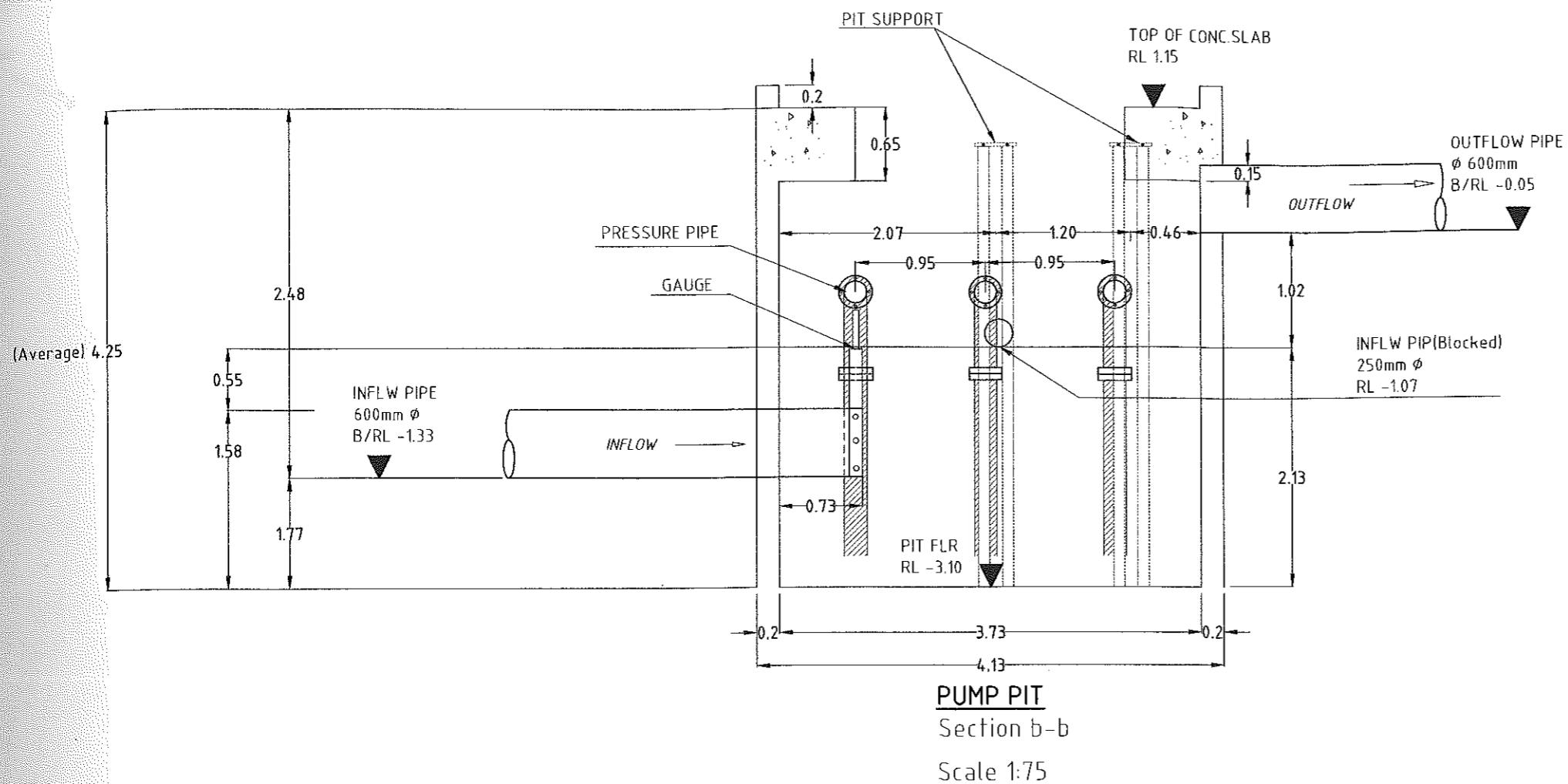


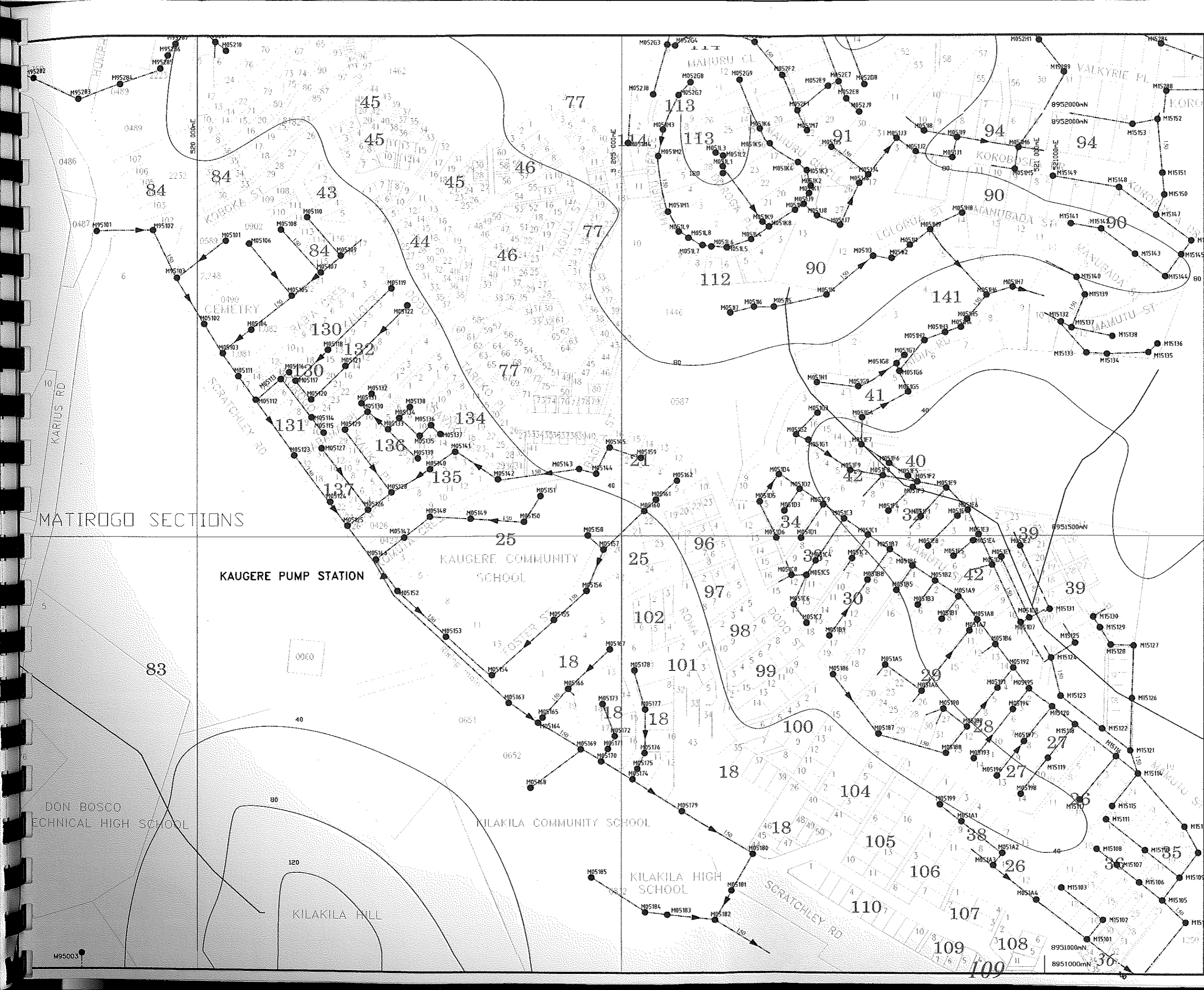
ASIA PACIFIC SURVEYS

Surveyors - Town Planners & Mapping Consultants

Section 72 Lot 18 Modaha Street Gordons
 PO Box 1271 Port Moresby NCD PNG
 Tel (675) 325 6756 Fax (675) 325 6752
 Email : aps@aps.com.pg

Reference





© Copyright
 The intellectual property contained in these designs, plans and specifications as represented on this document and contained in the accompanying digital format remains the exclusive property of Asia Pacific Surveys Limited and may not be used, copied or reproduced wholly or in part without the written permission of Asia Pacific Surveys Limited

Amendments

Associated Consultants

Client
JICA

Project
Jica, Port Moresby Sewerage

Details
Kaugere Pumping Station

Scale 1 : 4000

Level Datum

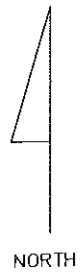
Origin

Surveyed KG	Date JUNE 2011
Computed LB	Checked GM
Civilcad File	AutoCAD File Kaugere

aps
 ASIA PACIFIC SURVEYS
 Surveyors Town Planners & Mapping Consultant

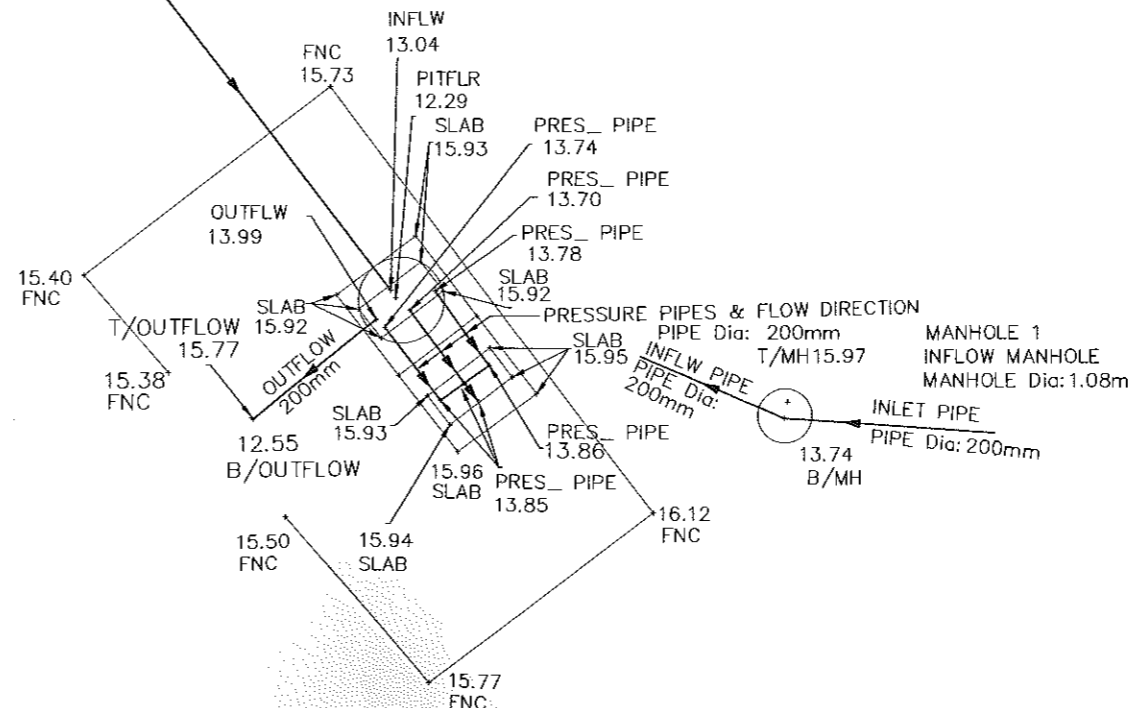
Section 78 Lot 16 Madaha Street Gordons
 PO Box 1271 Port Moresby
 NCD Papua New Guinea
 Tel (675) 325 6756 Fax (675) 325 6732
 Email : ops@aps.com.pg

Reference



T/MH
16.73
MANHOLE 2
INFLOW MANHOLE
MANHOLE Dia: 1.08m
B/MH
13.25

INFLW PIPE
PIPE Dia: 150mm



SCALE 1:175

© Copyright
The intellectual property contained in these designs, plans and specifications as represented on this document and contained in the accompanying digital format remains the exclusive property of Asia Pacific Surveys Limited and may not be used, copied or reproduced wholly or in part without the written permission of Asia Pacific Surveys Limited

Amendments

Associated Consultants

Client

JICA

Project

Port Moresby
Sewerage Project

Project

Pump Station
Kaugere

Scale 1 : 175

Level Datum

Origin

Surveyed KG	Date JUNE 2011
Computed KG/LB	Checked KG
Civilcad File KAUGERE	AutoCAD File KAUGERE



ASIA PACIFIC SURVEYS
Surveyors Town Planners
& Mapping Consultant

Section 78 Lot 16 Madaha Street Gordons
PO Box 1271 Port Moresby
NCD Papua New Guinea
Tel (675) 325 6756 Fax (675) 325 6732
Email : aps@aps.com.pg

Reference

© Copyright
 The intellectual property contained in these designs, plans and specifications as represented on this document and contained in the accompanying digital format remains the exclusive property of Asia Pacific Surveys Limited and may not be used, copied or reproduced wholly or in part without the written permission of Asia Pacific Surveys Limited

Amendments

Associated Consultants

Client

JICA

Project

Port Moresby
 Sewerage

Detail

Pump Station
 Kaugere

Scale 1 : 175

Level Datum

Origin

Surveyed KG	Date JUNE 2011
Computed KG/LB	Checked KG
Civilcad File KAUGERE	AutoCAD File KAUGERE



ASIA PACIFIC SURVEYS
 Surveyors Town Planners
 & Mapping Consultant

Section 7B Lot 16 Modaha Street Gordons
 PO Box 1271 Port Moresby
 NCD Papua New Guinea
 Tel (675) 325 6758 Fax (675) 325 6732
 Email : aps@aps.com.pg

Reference

