

STATION	PROPOSED HEIGHT	GROUND LEVEL	GRADIENT
121+400	175.035	175.461	
121+500	176.518	176.742	
121+600	177.256	177.729	
121+700	177.439	177.864	
121+800	176.748	177.169	
121+900	175.513	175.941	
122+000	174.688	175.159	
122+100	174.387	174.832	

**PLAN & PROFILE**  
SECTION 2: STA. 121+400 - 122+100

DRAWING TITLE

THE PROJECT FOR IMPROVEMENT OF NATIONAL ROAD No.9  
AS EAST-WEST ECONOMIC CORRIDOR IN LAO PDR

MINISTRY OF PUBLIC WORKS AND TRANSPORT  
LAO PEOPLE'S DEMOCRATIC REPUBLIC

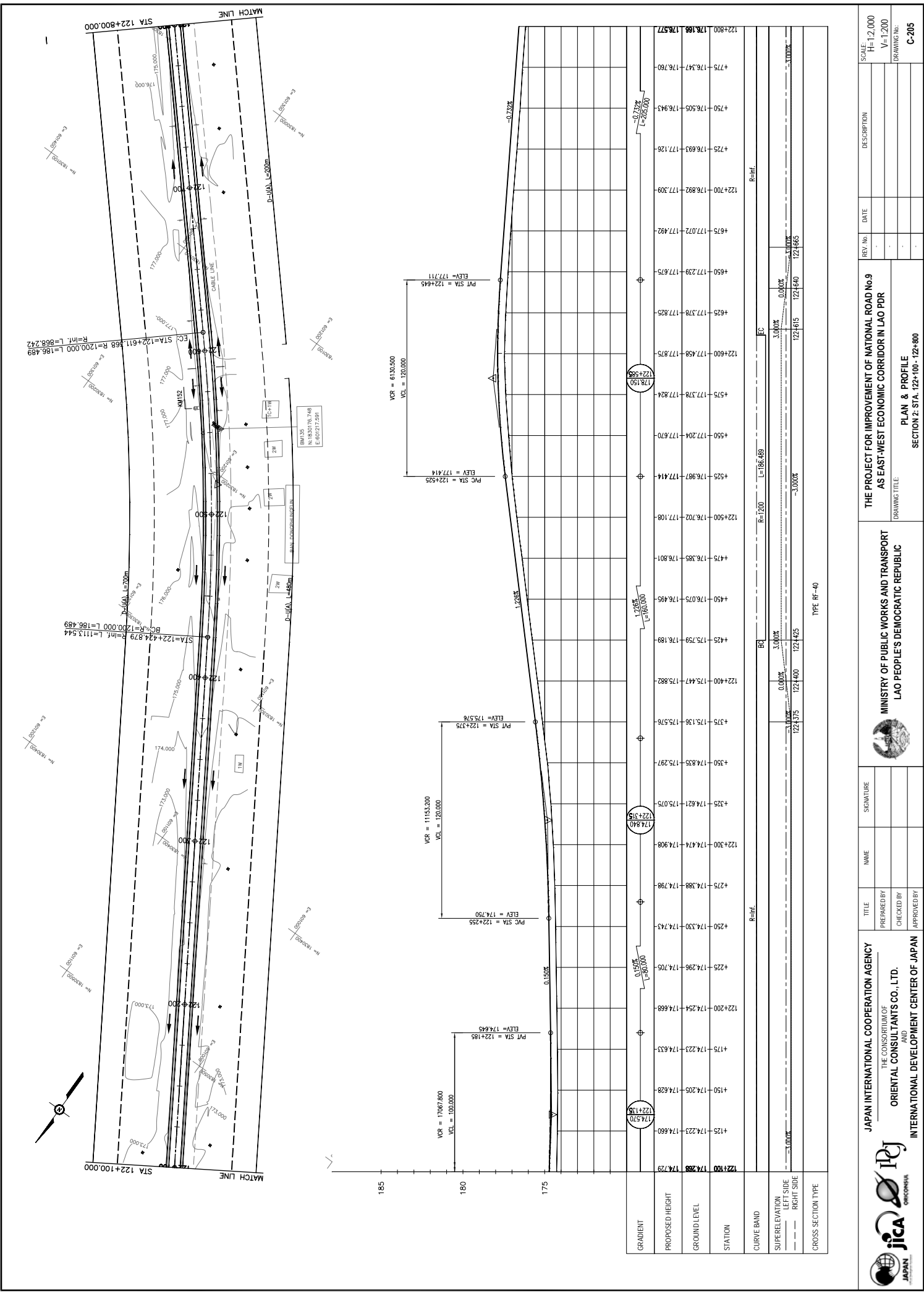
JAPAN INTERNATIONAL COOPERATION AGENCY  
THE CONSORTIUM OF  
ORIENTAL CONSULTANTS CO., LTD.  
INTERNATIONAL DEVELOPMENT CENTER OF JAPAN

SCALE: H=1:2,000  
V=1:200

DRAWING No. C-204

REV. No.	DATE	DESCRIPTION

TITLE	NAME	SIGNATURE
PREPARED BY		
CHECKED BY		
APPROVED BY		



REV. No.	DATE	DESCRIPTION	SCALE
1			H=1:2,000 V=1:200
2			
3			
4			
5			

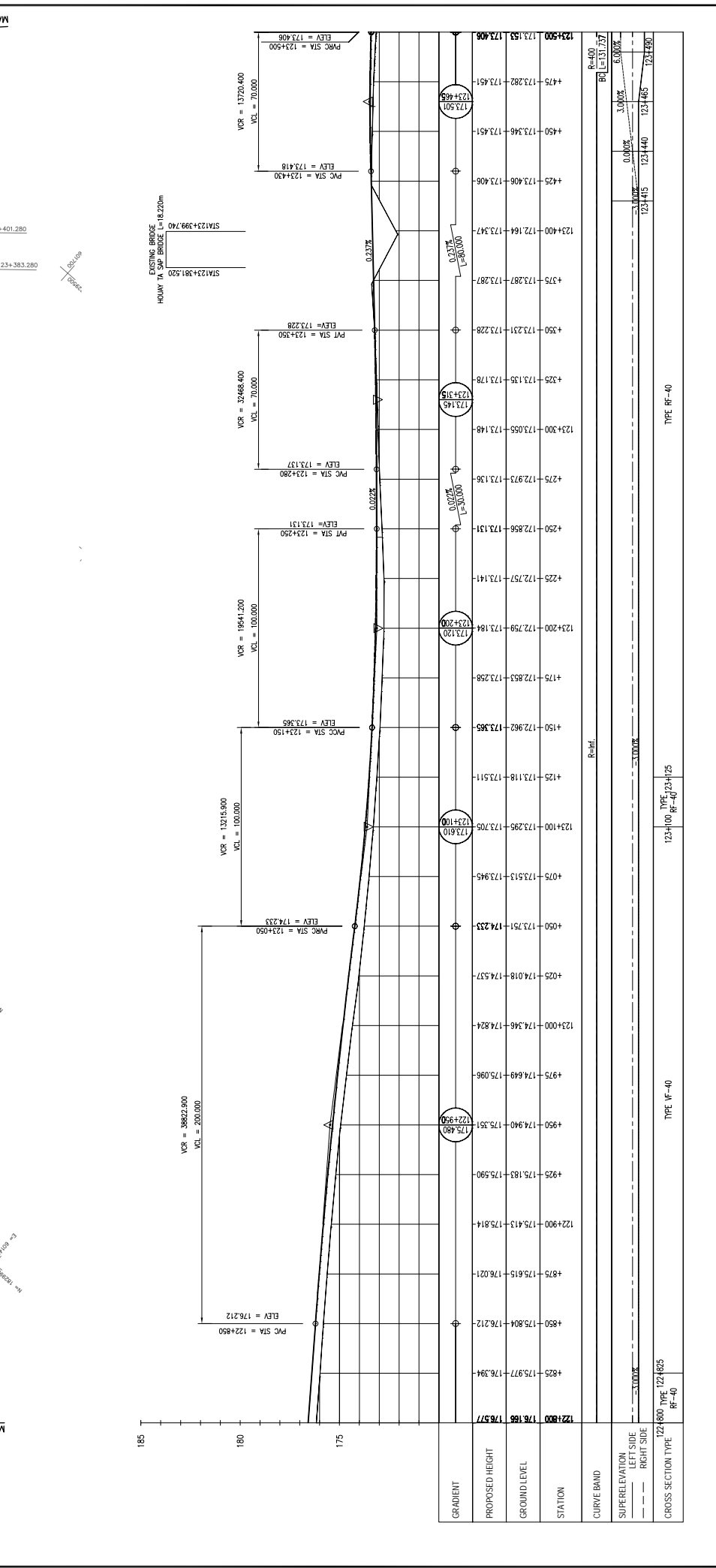
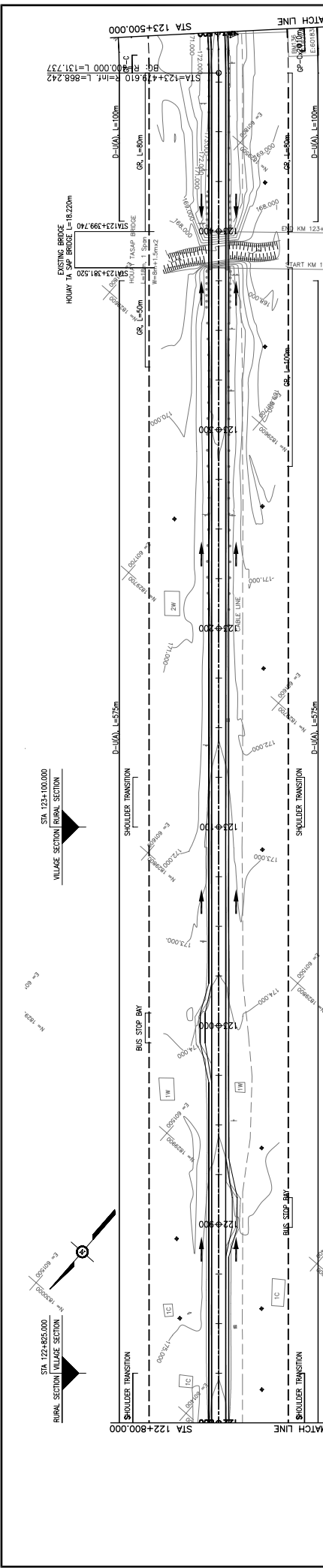
THE PROJECT FOR IMPROVEMENT OF NATIONAL ROAD No.9 AS EAST-WEST ECONOMIC CORRIDOR IN LAO PDR	
DRAWING TITLE <b>PLAN &amp; PROFILE</b> SECTION 2: STA. 122+100 - 122+800	
DRAWING NO. <b>C-205</b>	

 MINISTRY OF PUBLIC WORKS AND TRANSPORT LAO PEOPLE'S DEMOCRATIC REPUBLIC	SIGNATURE	NAME	TITLE
			PREPARED BY
			CHECKED BY
			APPROVED BY

JAPAN INTERNATIONAL COOPERATION AGENCY THE CONSORTIUM OF ORIENTAL CONSULTANTS CO., LTD. INTERNATIONAL DEVELOPMENT CENTER OF JAPAN	



REV. No.	DATE	DESCRIPTION	SCALE:
1			H=1:2,000
2			V=1:200

THE PROJECT FOR IMPROVEMENT OF NATIONAL ROAD No.9 AS EAST-WEST ECONOMIC CORRIDOR IN LAO PDR	
MINISTRY OF PUBLIC WORKS AND TRANSPORT LAO PEOPLE'S DEMOCRATIC REPUBLIC	
DRAWING TITLE SECTION 2: STA. 122+800 - 123+500	
PLAN & PROFILE	
DRAWING No. C-206	

STA 122+825.000 RURAL SECTION VILLAGE SECTION	STA 123+100.000 VILLAGE SECTION RURAL SECTION
--	--

STA 122+800.000 SHOULDER TRANSITION	STA 122+900.000 SHOULDER TRANSITION
--	--

STA 122+850.000 SHOULDER TRANSITION	STA 122+950.000 SHOULDER TRANSITION
--	--

STA 123+400.000 SHOULDER TRANSITION	STA 123+500.000 SHOULDER TRANSITION
--	--

STA 123+381.520 HOIWAY TA SAW BRIDGE L=18.220m	STA 123+399.740 HOIWAY TA SAW BRIDGE L=18.220m
---	---

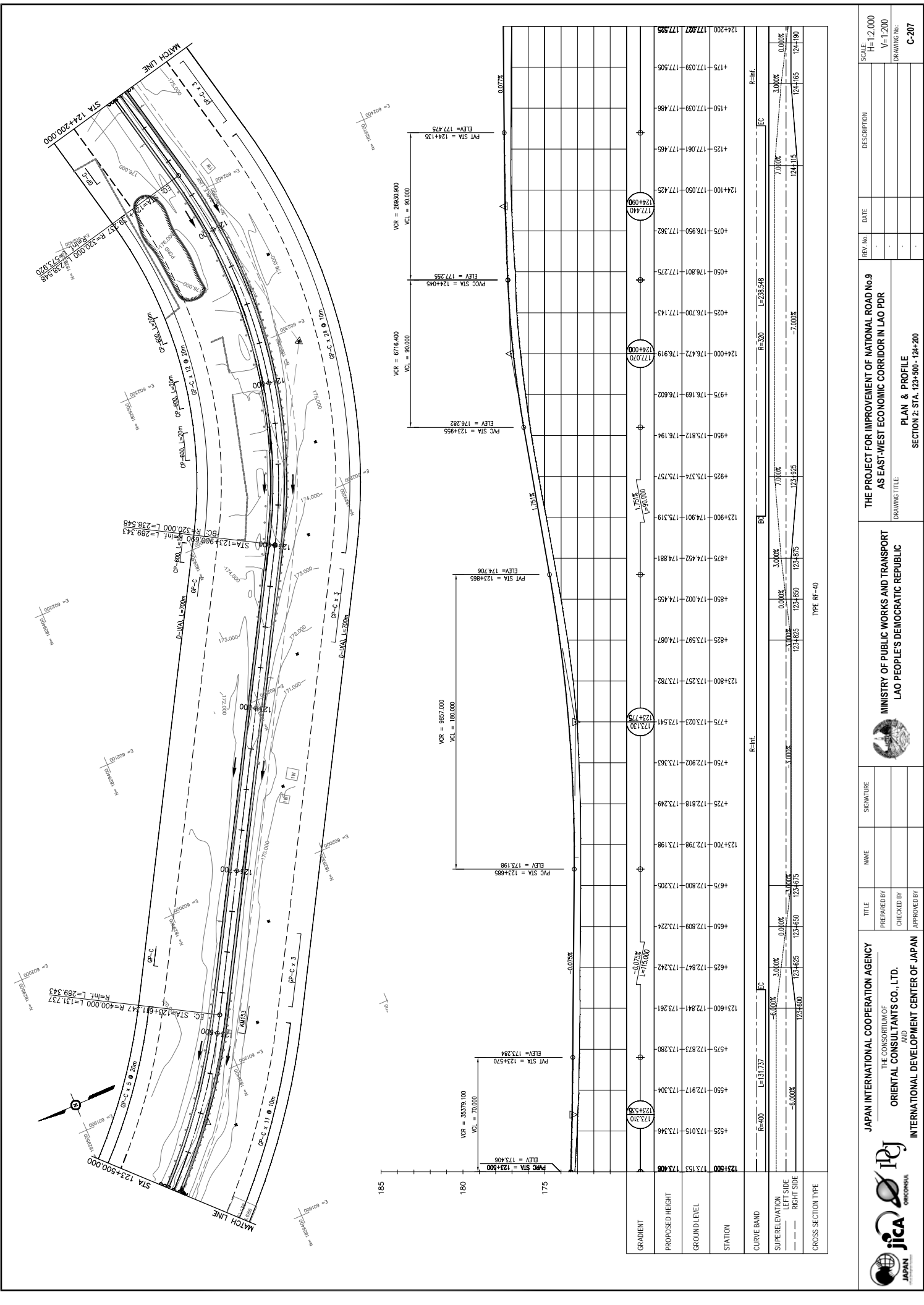
STA 123+381.520 HOIWAY TA SAW BRIDGE L=18.220m	STA 123+399.740 HOIWAY TA SAW BRIDGE L=18.220m
---	---

STA 123+381.520 HOIWAY TA SAW BRIDGE L=18.220m	STA 123+399.740 HOIWAY TA SAW BRIDGE L=18.220m
---	---

STA 123+381.520 HOIWAY TA SAW BRIDGE L=18.220m	STA 123+399.740 HOIWAY TA SAW BRIDGE L=18.220m
---	---



**JAPAN INTERNATIONAL COOPERATION AGENCY**  
 THE CONSORTIUM OF  
**ORIENTAL CONSULTANTS CO., LTD.**  
 INTERNATIONAL DEVELOPMENT CENTER OF JAPAN

**MINISTRY OF PUBLIC WORKS AND TRANSPORT**  
**LAO PEOPLE'S DEMOCRATIC REPUBLIC**

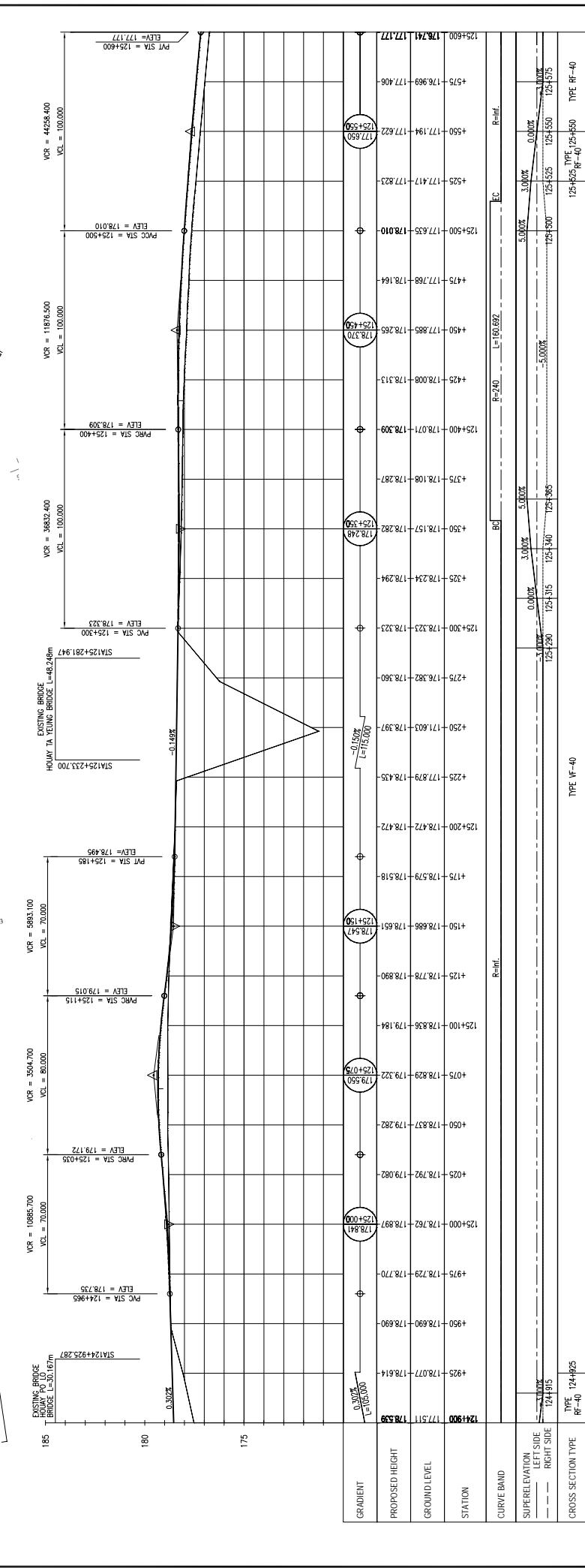
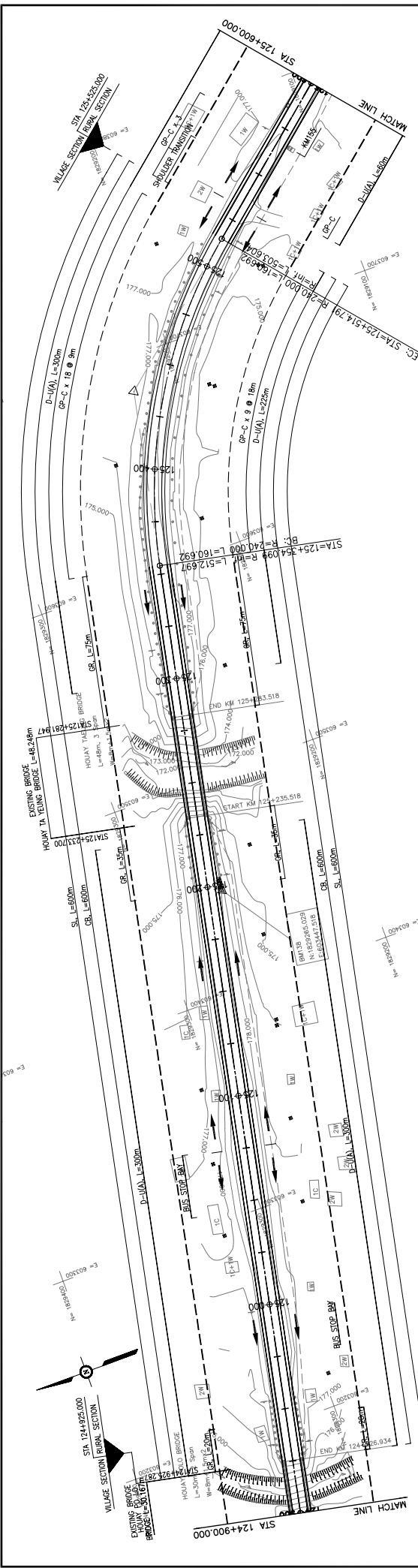
**THE PROJECT FOR IMPROVEMENT OF NATIONAL ROAD No.9**  
**AS EAST-WEST ECONOMIC CORRIDOR IN LAO PDR**

**PLAN & PROFILE**  
 SECTION 2: STA. 123+500 - 124+200

REV. No.	DATE	DESCRIPTION

SCALE: H=1:2,000  
 V=1:200  
 DRAWING No. C-207





STATION	PROPOSED HEIGHT	GROUND LEVEL	CURVE BAND	SUPERELEVATION LEFT SIDE	SUPERELEVATION RIGHT SIDE	CROSS SECTION TYPE
124+900	177.511	178.539		0.30%	0.15%	TYPE 124+825 RF-40
125+000	178.841	178.897		0.30%	0.15%	TYPE 124+825 RF-40
125+100	178.836	179.184		0.30%	0.15%	TYPE 124+825 RF-40
125+200	178.472	178.472		0.30%	0.15%	TYPE 124+825 RF-40
125+300	178.323	178.323		0.30%	0.15%	TYPE 124+825 RF-40
125+400	178.071	178.309		0.30%	0.15%	TYPE 124+825 RF-40
125+500	177.635	178.010		0.30%	0.15%	TYPE 124+825 RF-40
125+600	177.194	177.622		0.30%	0.15%	TYPE 124+825 RF-40
125+741	177.177	177.550		0.30%	0.15%	TYPE 124+825 RF-40

**MINISTRY OF PUBLIC WORKS AND TRANSPORT**  
**LAO PEOPLE'S DEMOCRATIC REPUBLIC**

THE PROJECT FOR IMPROVEMENT OF NATIONAL ROAD No.9  
AS EAST-WEST ECONOMIC CORRIDOR IN LAO PDR

DRAWING TITLE: **PLAN & PROFILE**  
SECTION 2: STA. 124+900 - 125+600

REV. No.	DATE	DESCRIPTION

SCALE: H=1:2,000  
V=1:200

DRAWING No.: **C-209**

JAPAN INTERNATIONAL COOPERATION AGENCY  
THE CONSORTIUM OF  
**ORIENTAL CONSULTANTS CO., LTD.**

INTERNATIONAL DEVELOPMENT CENTER OF JAPAN

TITLE: \_\_\_\_\_

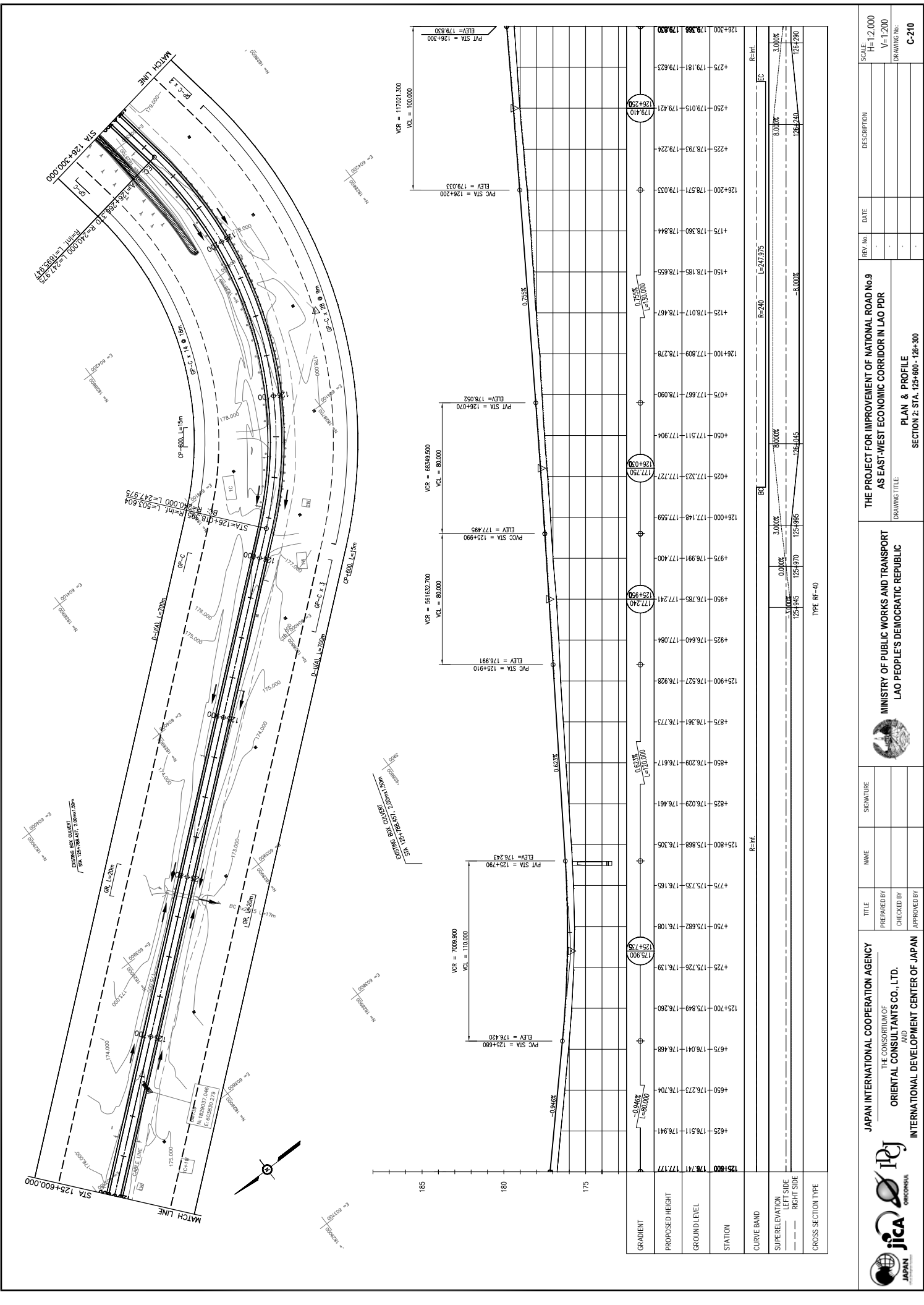
PREPARED BY: \_\_\_\_\_

CHECKED BY: \_\_\_\_\_

APPROVED BY: \_\_\_\_\_

SIGNATURE: \_\_\_\_\_

NAME: \_\_\_\_\_



**THE PROJECT FOR IMPROVEMENT OF NATIONAL ROAD No.9  
AS EAST-WEST ECONOMIC CORRIDOR IN LAO PDR**

**MINISTRY OF PUBLIC WORKS AND TRANSPORT  
LAO PEOPLE'S DEMOCRATIC REPUBLIC**

**JAPAN INTERNATIONAL COOPERATION AGENCY  
THE CONSORTIUM OF  
ORIENTAL CONSULTANTS CO., LTD.  
INTERNATIONAL DEVELOPMENT CENTER OF JAPAN**

**PLAN & PROFILE  
SECTION 2: STA. 125+600 - 126+300**

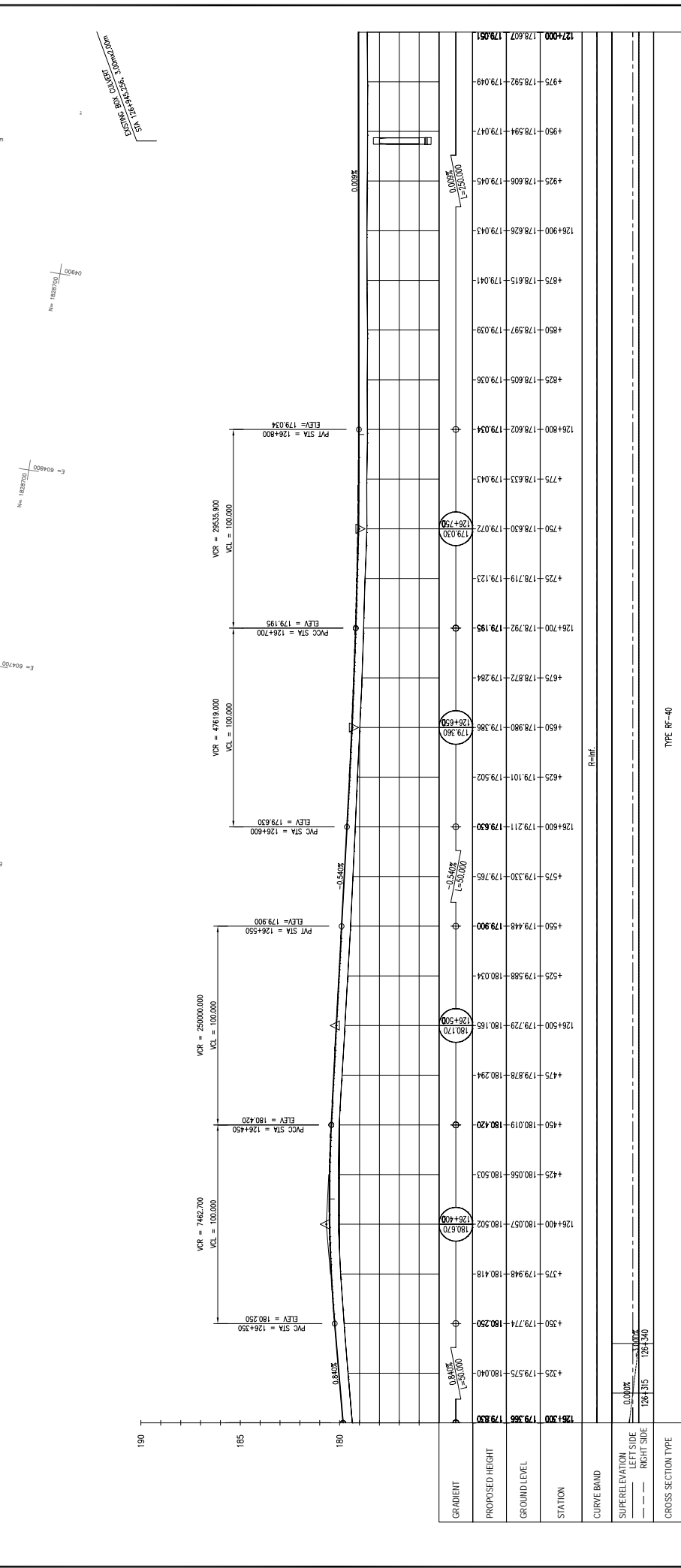
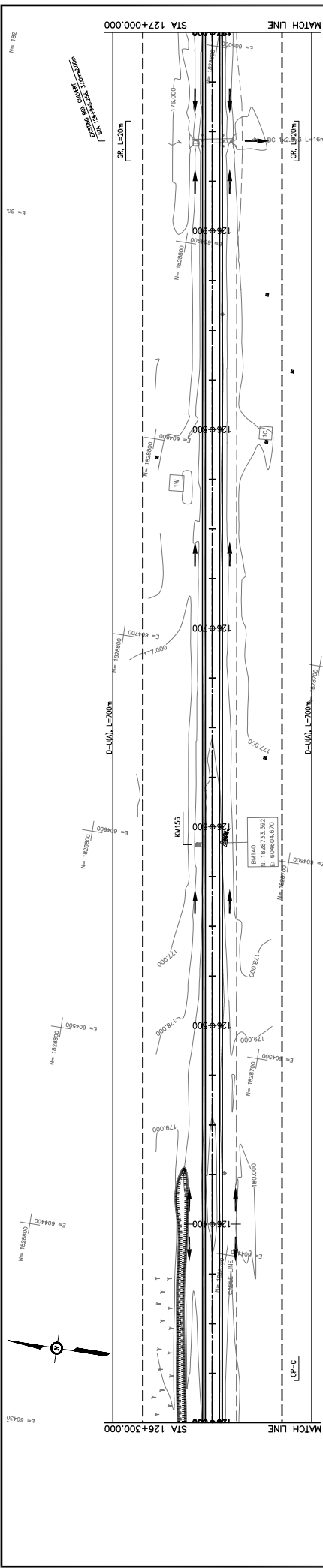
DRAWING TITLE: **C-210**

REV. No.	DATE	DESCRIPTION

SCALE: H=1:2,000  
V=1:200

DATE: **2017.07.15**

TYPE: Rf-40



CROSS SECTION TYPE: TYPE Rf-40

REMARKS: Remf.

**JAPAN INTERNATIONAL COOPERATION AGENCY**  
 THE CONSORTIUM OF  
**ORIENTAL CONSULTANTS CO., LTD.**  
 INTERNATIONAL DEVELOPMENT CENTER OF JAPAN

**MINISTRY OF PUBLIC WORKS AND TRANSPORT**  
**LAO PEOPLE'S DEMOCRATIC REPUBLIC**

**THE PROJECT FOR IMPROVEMENT OF NATIONAL ROAD No.9**  
**AS EAST-WEST ECONOMIC CORRIDOR IN LAO PDR**

**PLAN & PROFILE**  
**SECTION 2: STA. 126+300 - 127+000**

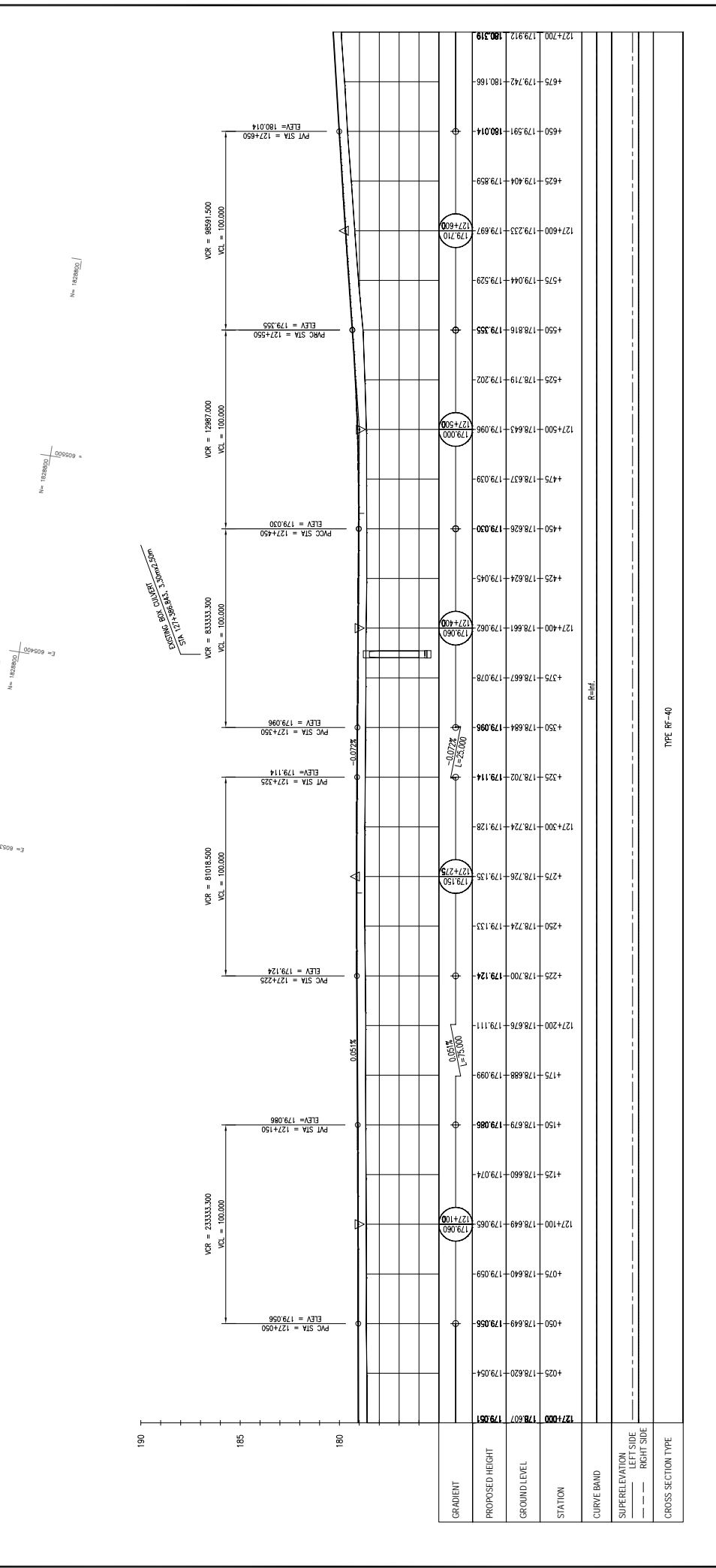
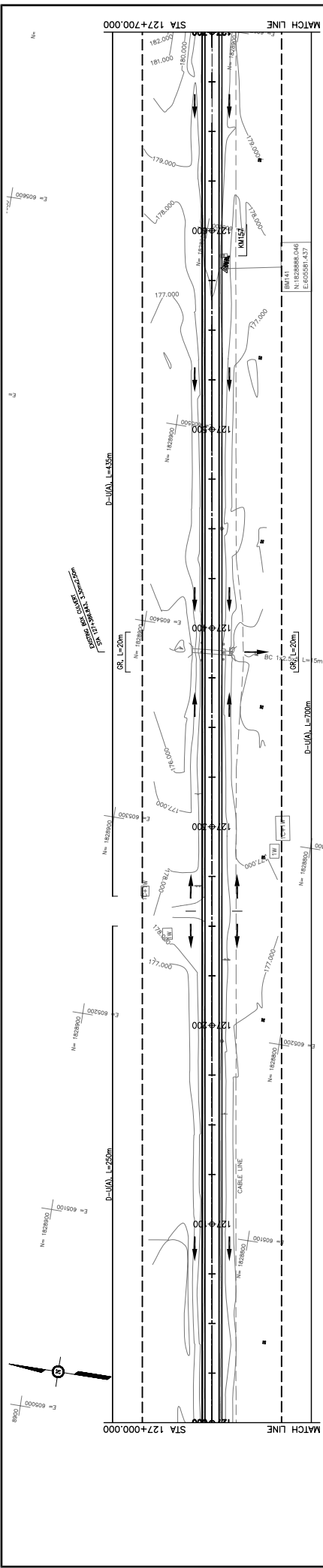
TITLE: PREPARED BY: CHECKED BY: APPROVED BY:

NAME: SIGNATURE:

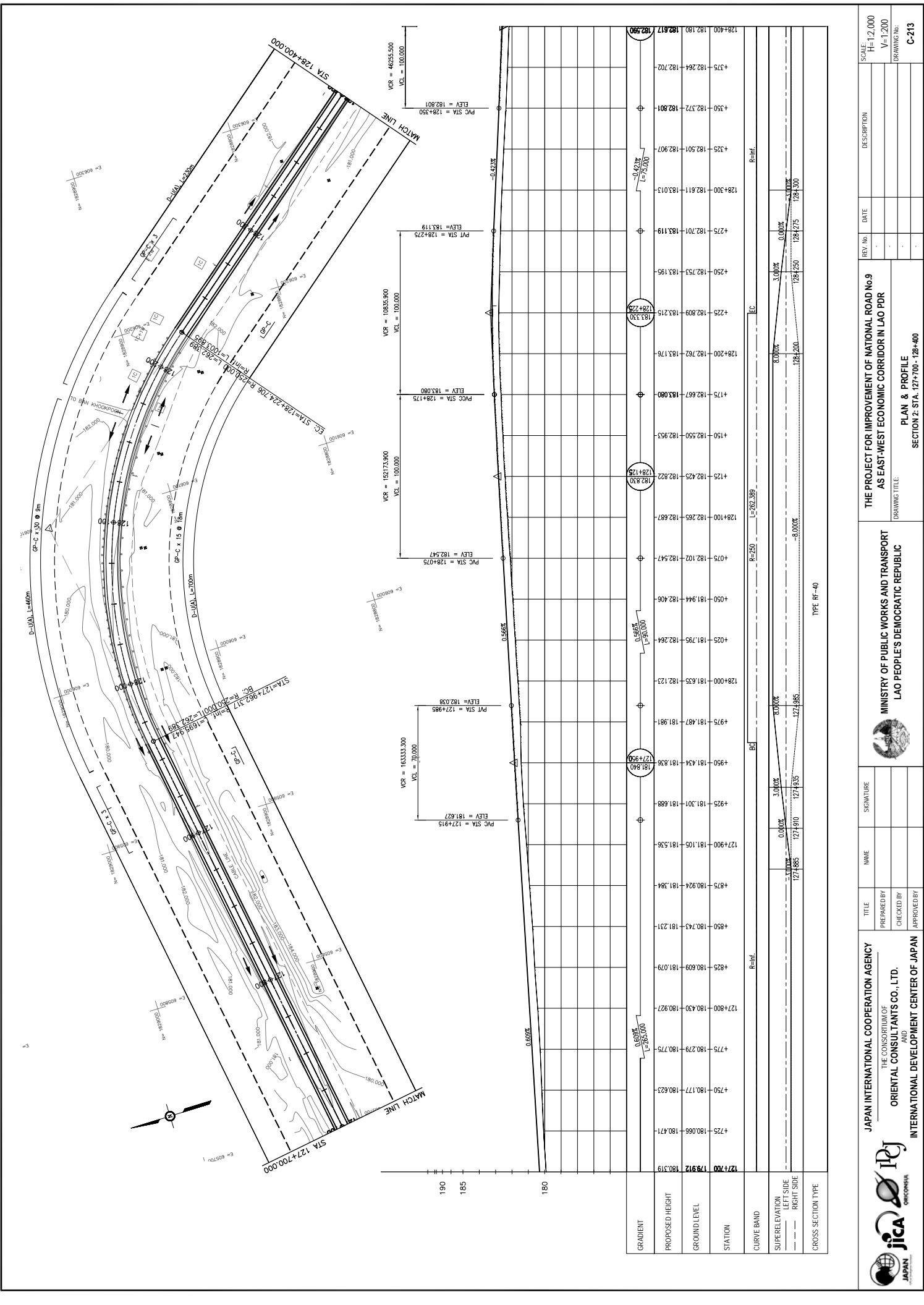
REV. No. DATE DESCRIPTION

SCALE: H=1:2,000 V=1:200 DRAWING NO. C-211





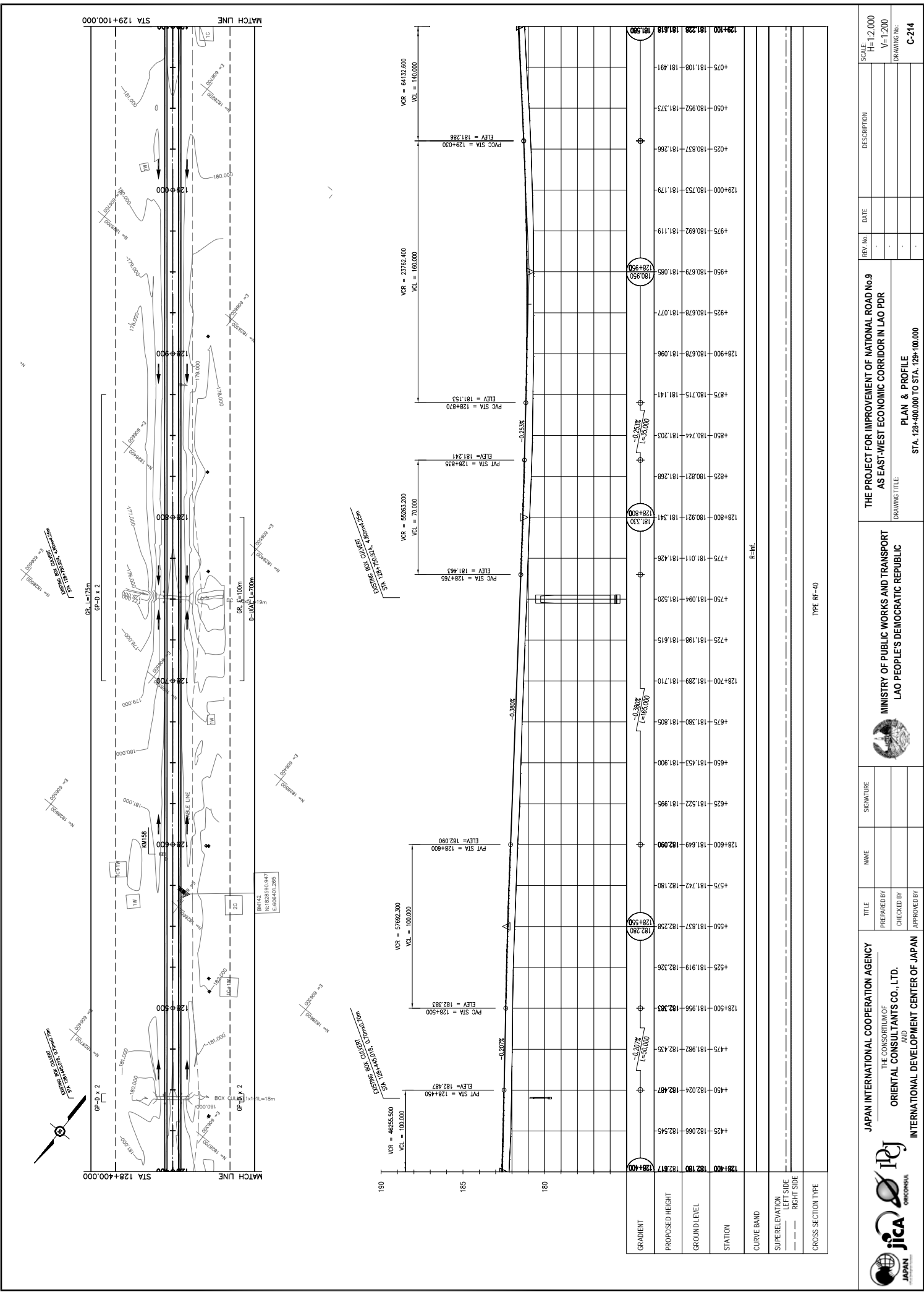
		JAPAN INTERNATIONAL COOPERATION AGENCY THE CONSORTIUM OF ORIENTAL CONSULTANTS CO., LTD. INTERNATIONAL DEVELOPMENT CENTER OF JAPAN		MINISTRY OF PUBLIC WORKS AND TRANSPORT LAO PEOPLE'S DEMOCRATIC REPUBLIC		THE PROJECT FOR IMPROVEMENT OF NATIONAL ROAD No.9 AS EAST-WEST ECONOMIC CORRIDOR IN LAO PDR		REV. No. . . . . DATE . . . . .	DESCRIPTION . . . . . SCALE: H=1:2,000 V=1:200 DRAWING No. C-212
TITLE		NAME		SIGNATURE		DRAWING TITLE		SECTION 2: STA. 127+000 - 127+700	
PREPARED BY		CHECKED BY		APPROVED BY		PLAN & PROFILE			



REV. No.	DATE	DESCRIPTION	SCALE:
1			H=1:2,000
2			V=1:200

<b>JAPAN INTERNATIONAL COOPERATION AGENCY</b> THE CONSORTIUM OF <b>ORIENTAL CONSULTANTS CO., LTD.</b> INTERNATIONAL DEVELOPMENT CENTER OF JAPAN		<b>MINISTRY OF PUBLIC WORKS AND TRANSPORT</b> <b>LAO PEOPLE'S DEMOCRATIC REPUBLIC</b>	
TITLE PREPARED BY CHECKED BY APPROVED BY		PROJECT TITLE <b>THE PROJECT FOR IMPROVEMENT OF NATIONAL ROAD No.9          AS EAST-WEST ECONOMIC CORRIDOR IN LAO PDR</b>	
DRAWING No. <b>C-213</b>		SECTION 2: STA. 127+700 - 128+400 <b>PLAN &amp; PROFILE</b>	



REV. No.	DATE	DESCRIPTION

SCALE:	H=1:2,000
	V=1:200

PROJECT TITLE	THE PROJECT FOR IMPROVEMENT OF NATIONAL ROAD No.9 AS EAST-WEST ECONOMIC CORRIDOR IN LAO PDR
DRAWING TITLE	PLAN & PROFILE
DRAWING No.	STA. 128+400.000 TO STA. 129+100.000

NAME	SIGNATURE

TITLE	PREPARED BY	CHECKED BY	APPROVED BY

 JAPAN INTERNATIONAL COOPERATION AGENCY	 THE CONSORTIUM OF ORIENTAL CONSULTANTS CO., LTD.	 INTERNATIONAL DEVELOPMENT CENTER OF JAPAN
--	---	---

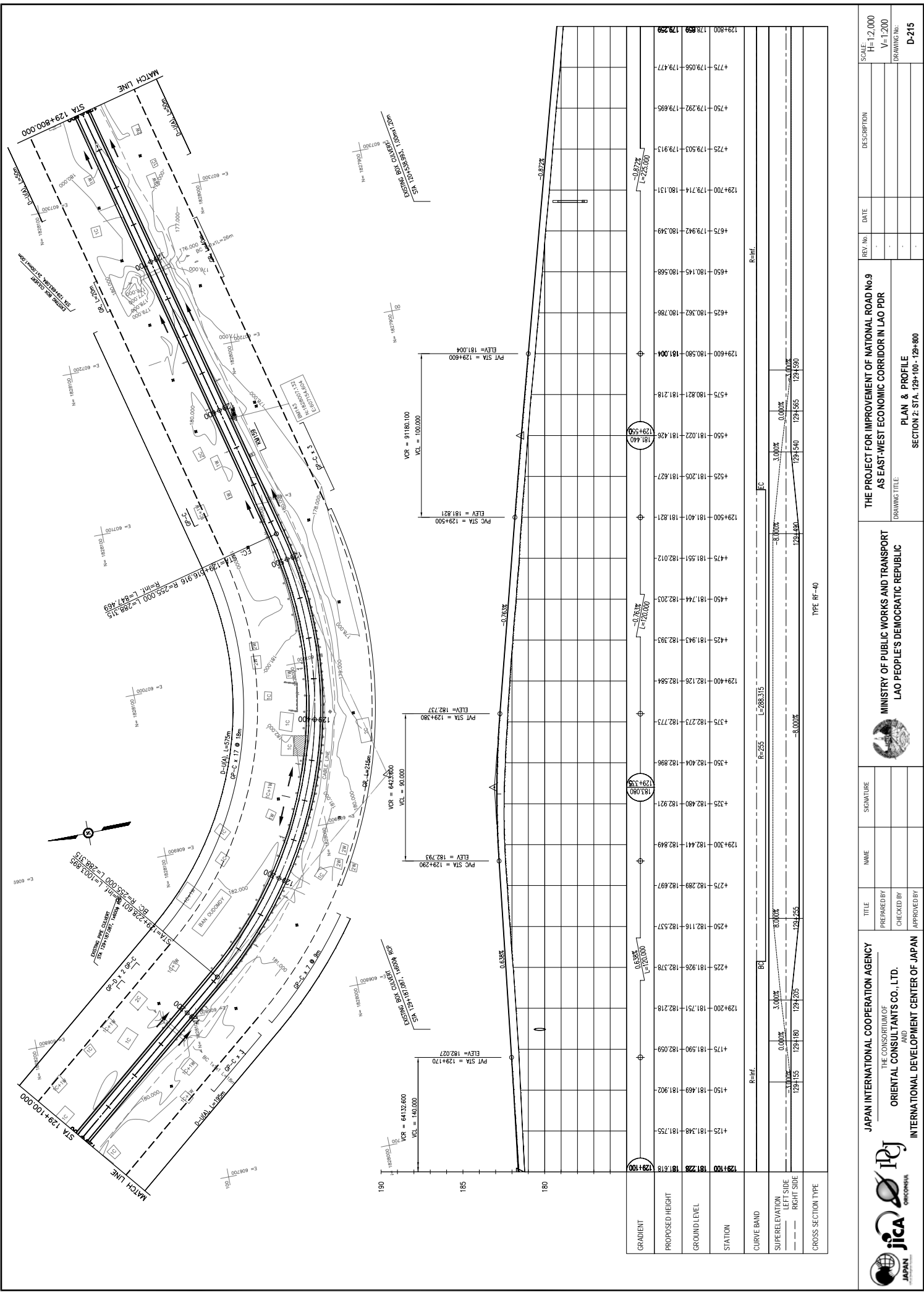
 JAPAN INTERNATIONAL COOPERATION AGENCY	 THE CONSORTIUM OF ORIENTAL CONSULTANTS CO., LTD.	 INTERNATIONAL DEVELOPMENT CENTER OF JAPAN
--	---	---

MINISTRY OF PUBLIC WORKS AND TRANSPORT	LAO PEOPLE'S DEMOCRATIC REPUBLIC
--	----------------------------------

TYPE	RF-40
------	-------



**MINISTRY OF PUBLIC WORKS AND TRANSPORT**  
**LAO PEOPLE'S DEMOCRATIC REPUBLIC**

**JAPAN INTERNATIONAL COOPERATION AGENCY**  
 THE CONSORTIUM OF  
**ORIENTAL CONSULTANTS CO., LTD.**  
**INTERNATIONAL DEVELOPMENT CENTER OF JAPAN**

**THE PROJECT FOR IMPROVEMENT OF NATIONAL ROAD No.9**  
**AS EAST-WEST ECONOMIC CORRIDOR IN LAO PDR**

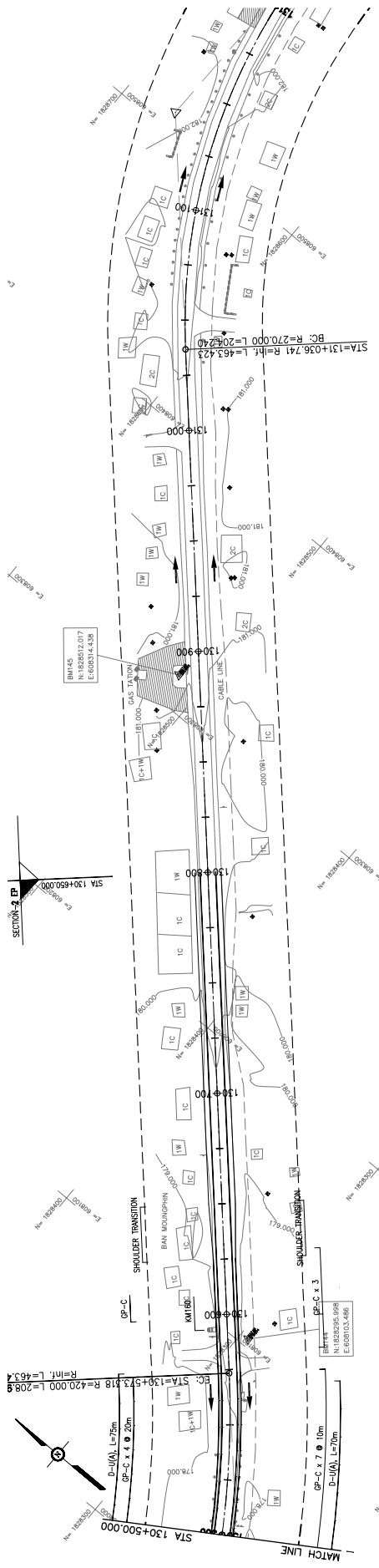
**PLAN & PROFILE**  
 SECTION 2: STA. 129+100 - 129+800

REV. No.	DATE	DESCRIPTION

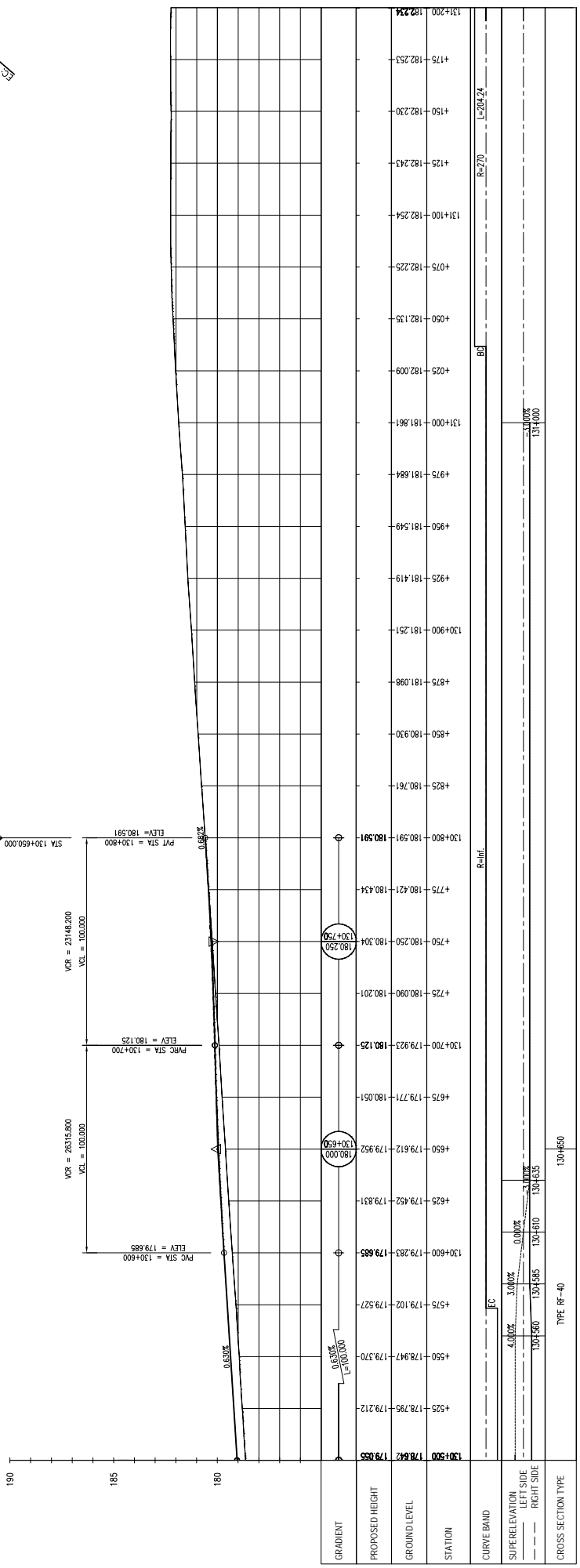
TITLE	NAME	SIGNATURE
PREPARED BY		
CHECKED BY		
APPROVED BY		

SCALE: H=1:2,000  
 V=1:200  
 DRAWING No. **D-215**





STA=131+036.741 R=741 R=ht; L=463.423  
 BC: R=270.000 L=208.440  
 EG: STA=131+240.991 P



GRADIENT	PROPOSED HEIGHT	GROUND LEVEL	STATION	CURVE BAND	SUPERELEVATION LEFT SIDE	SUPERELEVATION RIGHT SIDE	CROSS SECTION TYPE
0.65%	178.642	179.055	130+500	FC	4.00%	0.00%	130+650
0.65%	178.947	179.370	130+550	FC	3.00%	0.00%	130+650
0.65%	179.102	179.527	130+600	FC	3.00%	0.00%	130+650
0.65%	179.283	179.885	130+650	FC	3.00%	0.00%	130+650
0.65%	179.452	179.831	130+700	FC	3.00%	0.00%	130+650
0.65%	179.612	179.952	130+750	FC	3.00%	0.00%	130+650
0.65%	179.771	180.051	130+800	FC	3.00%	0.00%	130+650
0.65%	179.923	180.125	130+850	FC	3.00%	0.00%	130+650
0.65%	180.090	180.201	130+900	FC	3.00%	0.00%	130+650
0.65%	180.250	180.304	130+950	FC	3.00%	0.00%	130+650
0.65%	180.421	180.434	131+000	FC	3.00%	0.00%	130+650
0.65%	180.591	180.591	131+050	FC	3.00%	0.00%	130+650
0.65%	180.761	180.761	131+100	FC	3.00%	0.00%	130+650
0.65%	180.930	180.930	131+150	FC	3.00%	0.00%	130+650
0.65%	181.098	181.098	131+200	FC	3.00%	0.00%	130+650

**JAPAN INTERNATIONAL COOPERATION AGENCY**  
 THE CONSORTIUM OF  
**ORIENTAL CONSULTANTS CO., LTD.**  
 INTERNATIONAL DEVELOPMENT CENTER OF JAPAN

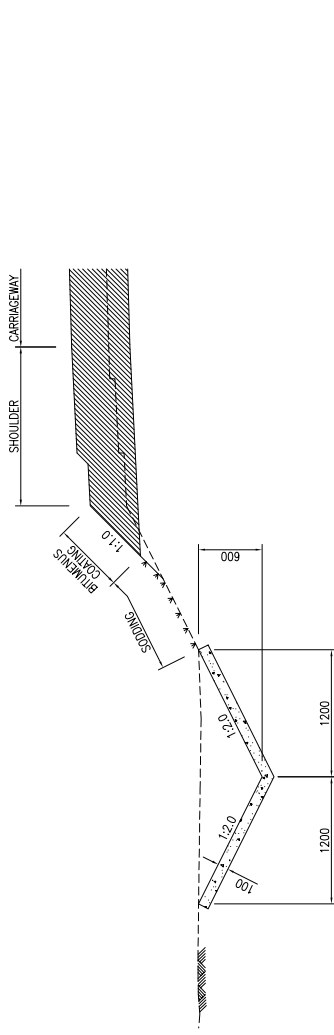
**MINISTRY OF PUBLIC WORKS AND TRANSPORT**  
**LAO PEOPLE'S DEMOCRATIC REPUBLIC**

**THE PROJECT FOR IMPROVEMENT OF NATIONAL ROAD No.9**  
**AS EAST-WEST ECONOMIC CORRIDOR IN LAO PDR**

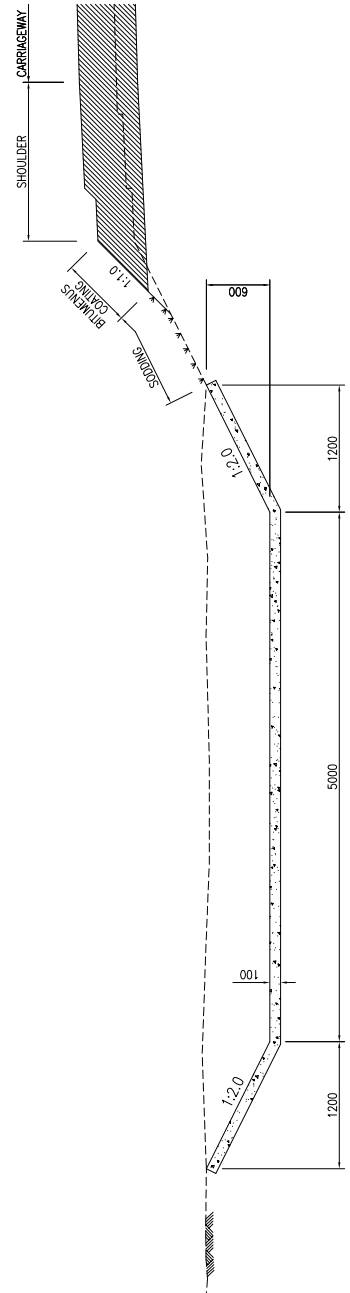
**PLAN & PROFILE**  
 SECTION 2: STA. 130+500 - 131+000

REV. No.	DATE	DESCRIPTION

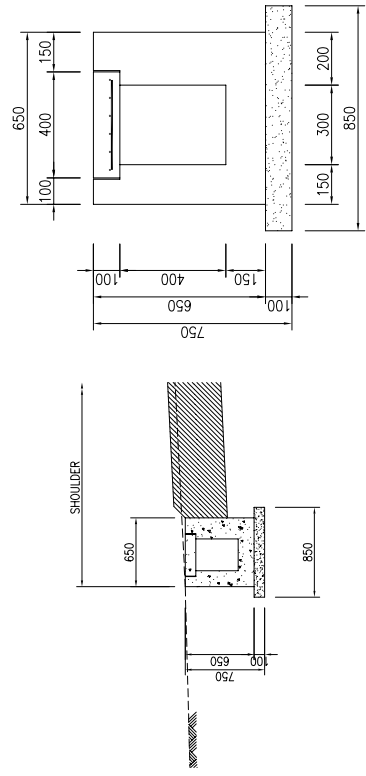
SCALE: H=1:2,000  
 V=1:200  
 DRAWING No. C-217



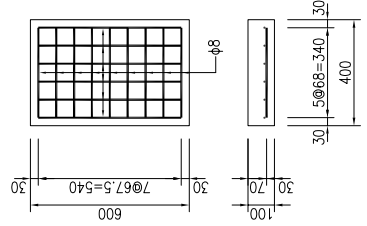
CONCRETE DITCH D-U(A)



CONCRETE DITCH D-U(B)



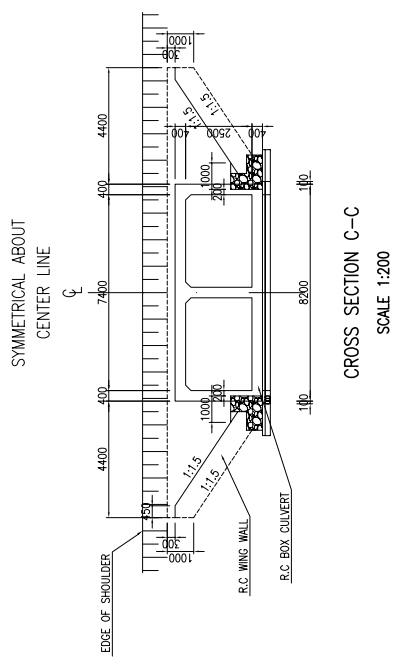
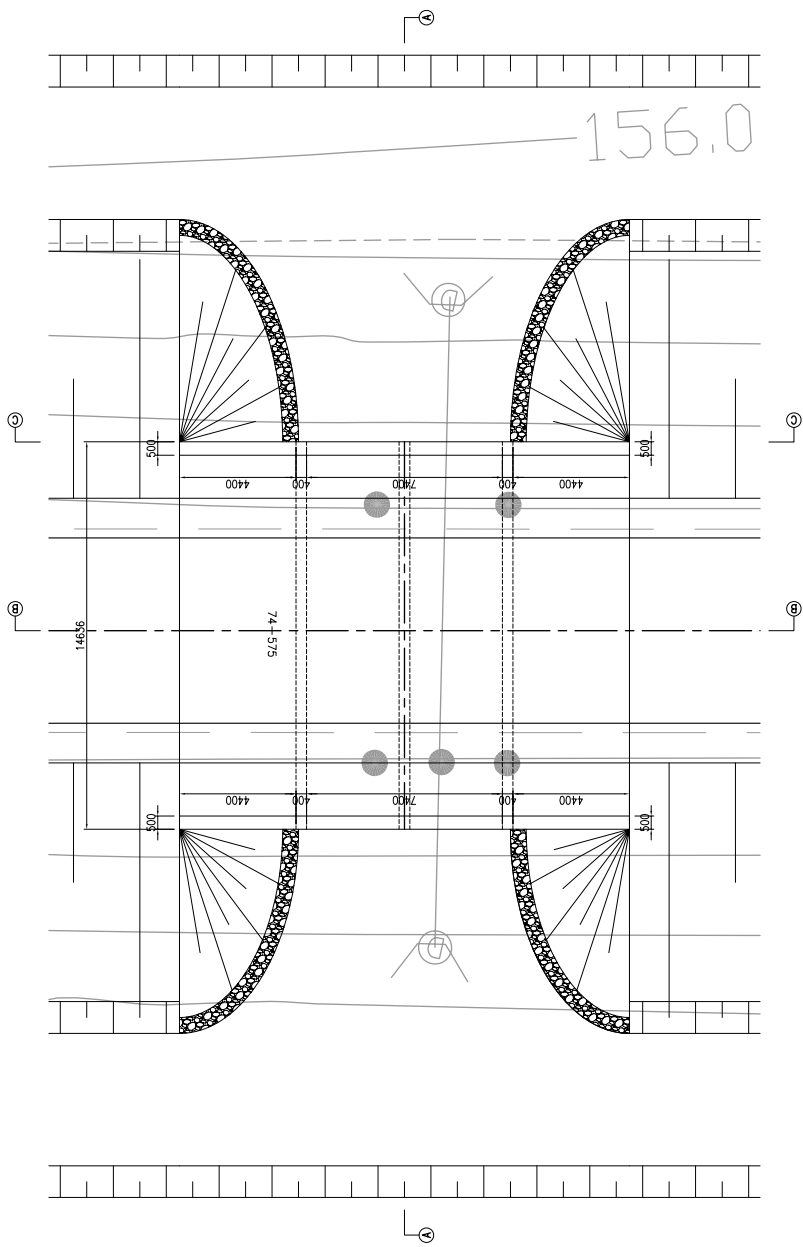
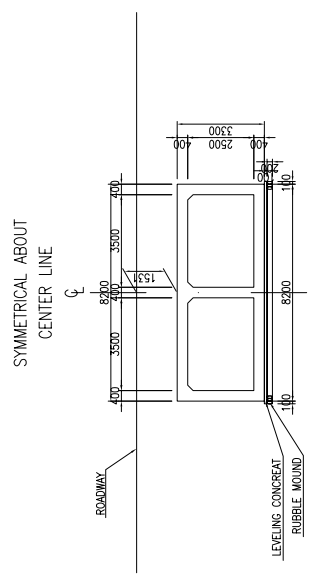
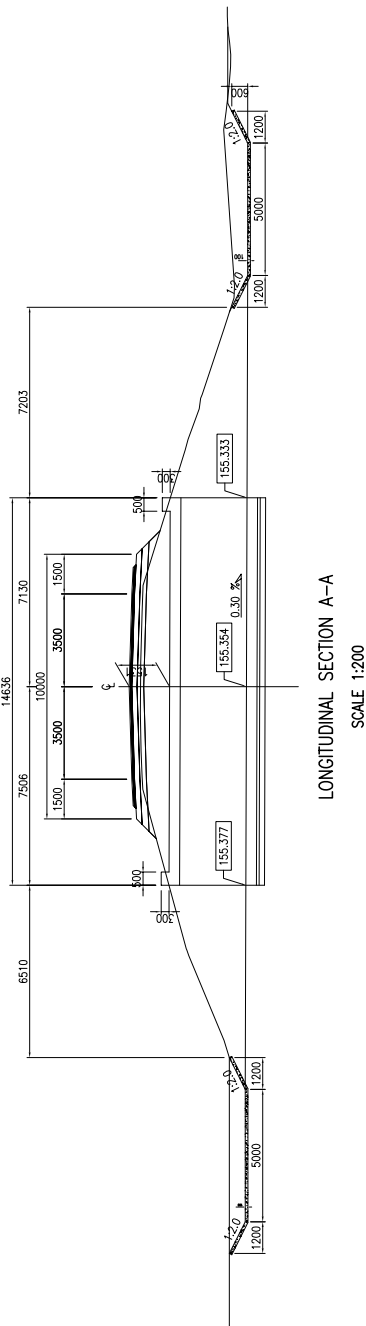
U-TYPE DITCH D-U(C)



NOTES:

ALL DIMENSIONS ARE IN MILLIMETERS UNLESS OTHERWISE INDICATED.

	JAPAN INTERNATIONAL COOPERATION AGENCY THE CONSORTIUM OF ORIENTAL CONSULTANTS CO., LTD. INTERNATIONAL DEVELOPMENT CENTER OF JAPAN		TITLE	NAME	SIGNATURE	THE PROJECT FOR IMPROVEMENT OF NATIONAL ROAD No.9 AS EAST-WEST ECONOMIC CORRIDOR IN LAO PDR DRAWING TITLE <b>DETAILS OF DRAINAGE DITCH</b>	REV. No.	DATE	DESCRIPTION	SCALE	
	PREPARED BY			0				1			1:200
	CHECKED BY			1				2			DRAWING No.
			APPROVED BY				3			D-01	



JAPAN INTERNATIONAL COOPERATION AGENCY THE CONSORTIUM OF ORIENTAL CONSULTANTS CO., LTD. INTERNATIONAL DEVELOPMENT CENTER OF JAPAN		MINISTRY OF PUBLIC WORKS AND TRANSPORT LAO PEOPLE'S DEMOCRATIC REPUBLIC		THE PROJECT FOR IMPROVEMENT OF NATIONAL ROAD No.9 AS EAST-WEST ECONOMIC CORRIDOR IN LAO PDR DRAWING TITLE: <b>BOX CULVERT STRUCTURE</b>	
TITLE	NAME	DATE	DESCRIPTION	SCALE	
PREPARED BY	SIGNATURE			1:200	
CHECKED BY					
APPROVED BY					D-02