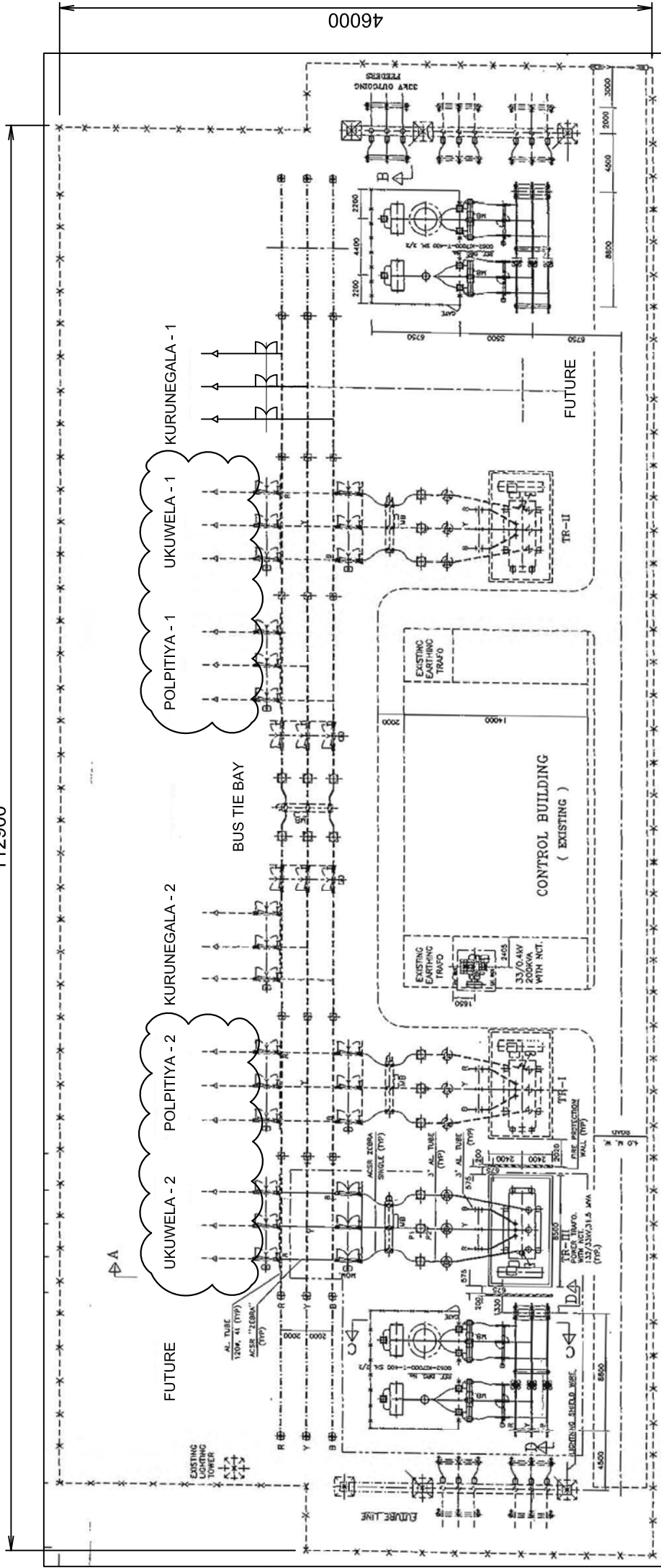


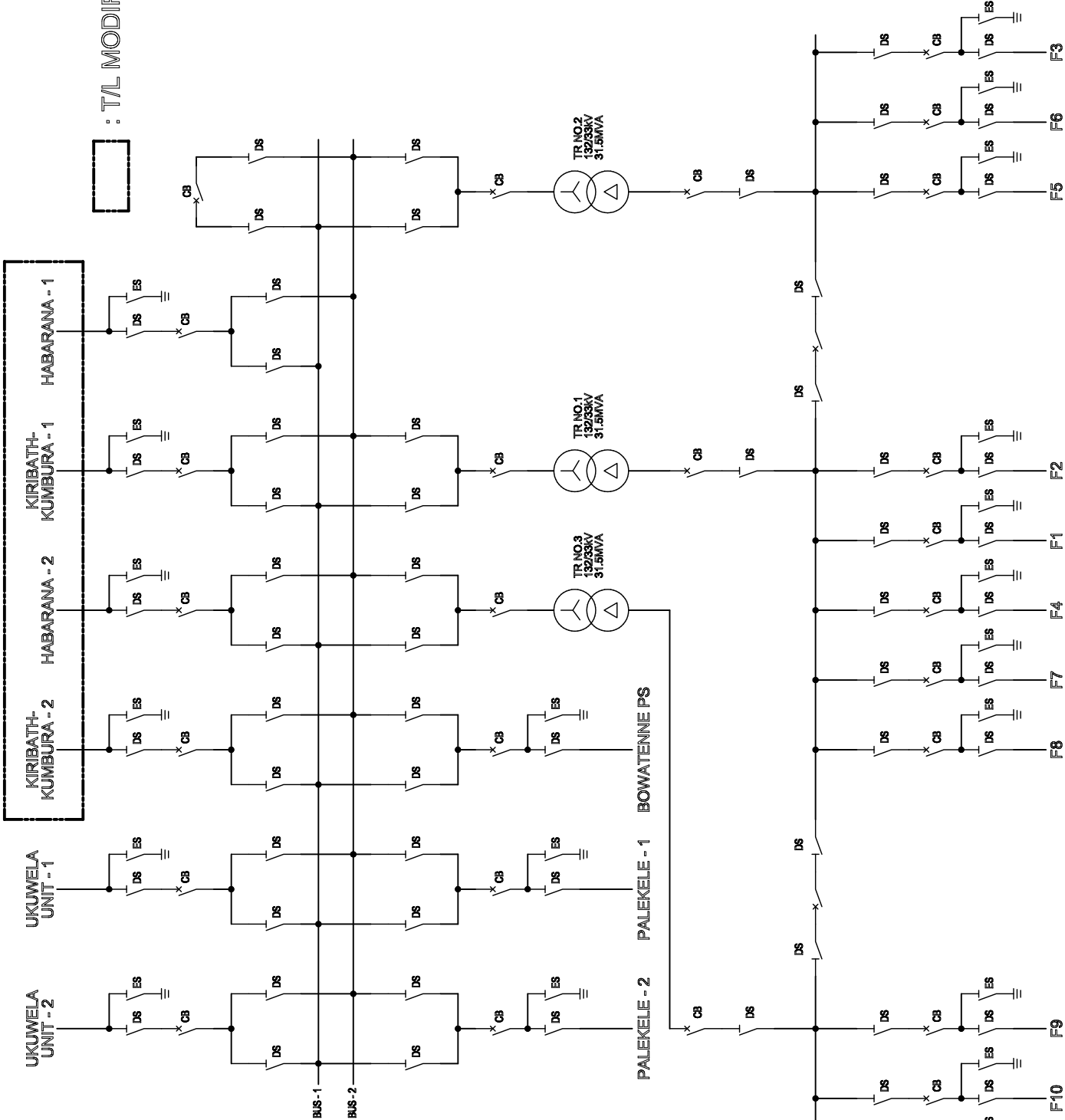
112900

46000



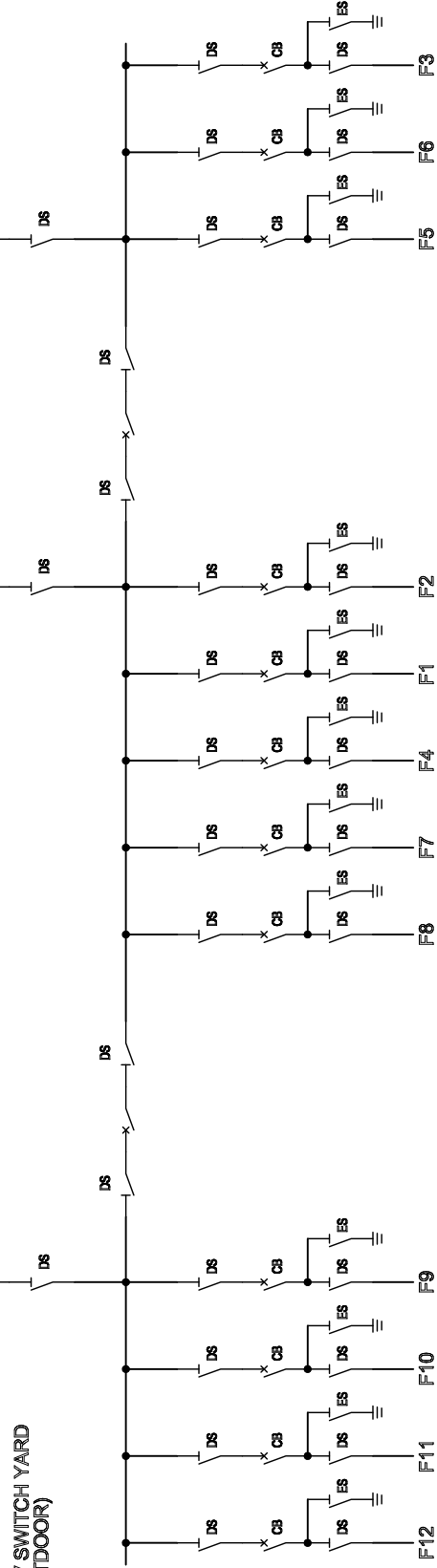
☁️ : PROJECT SCOPE OF T/L MODIFICATION

132KV SWITCH YARD
(OUTDOOR)

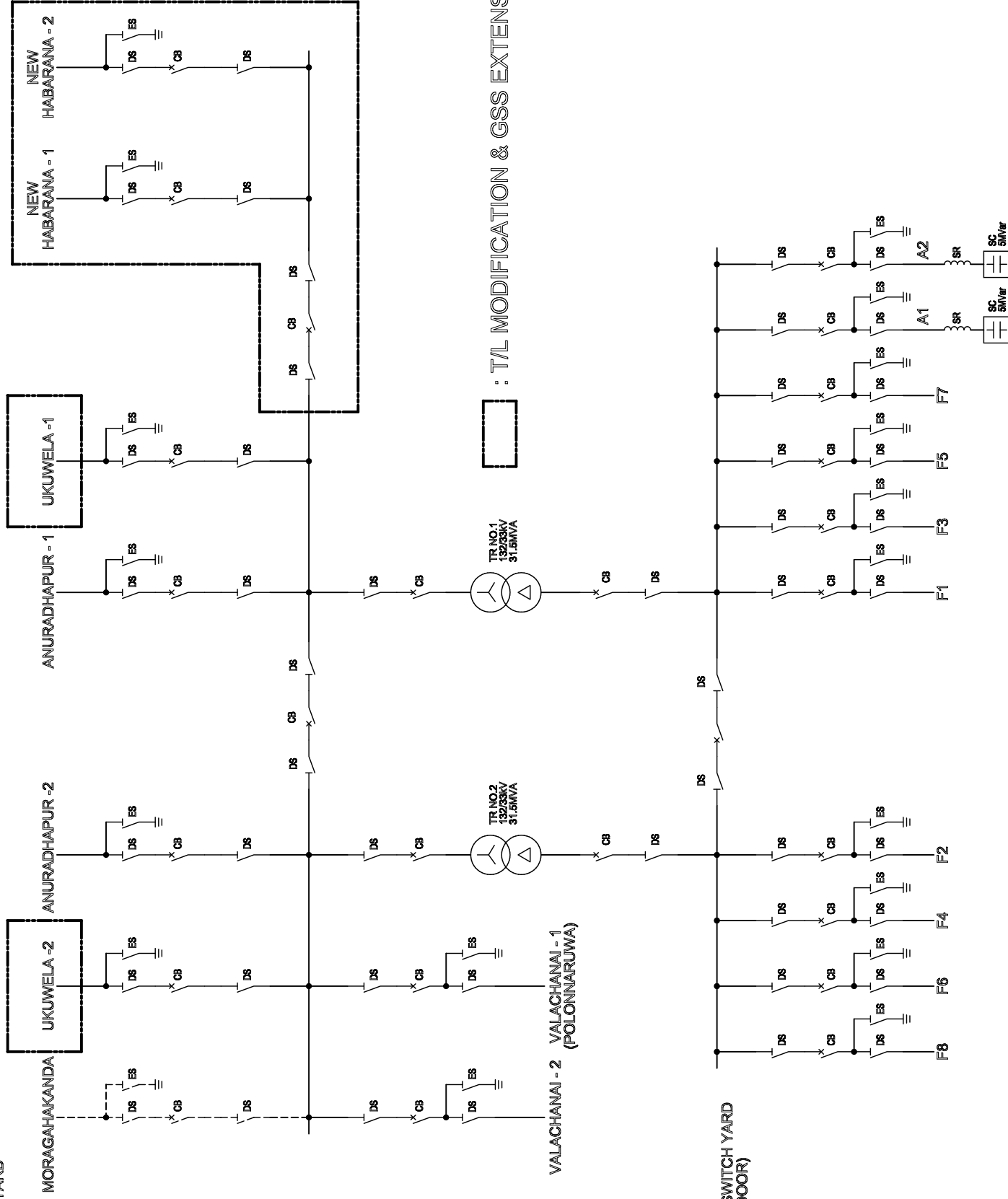


: T/L MODIFICATION SCOPE

33KV SWITCH YARD
(OUTDOOR)



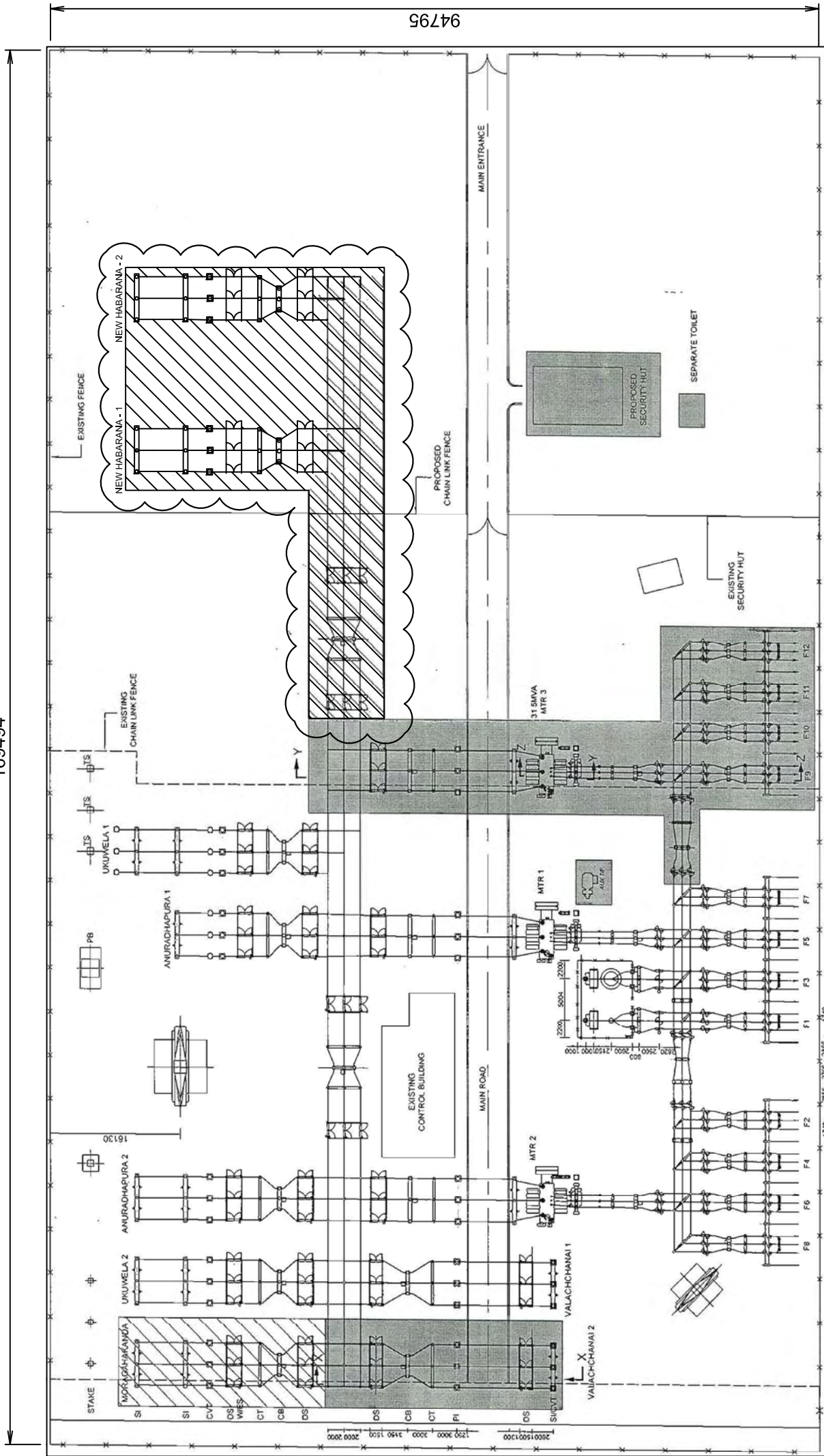
132kV SWITCH YARD
(OUTDOOR)



□ : TL MODIFICATION & GSS EXTENSION SCOPE

169494

94795



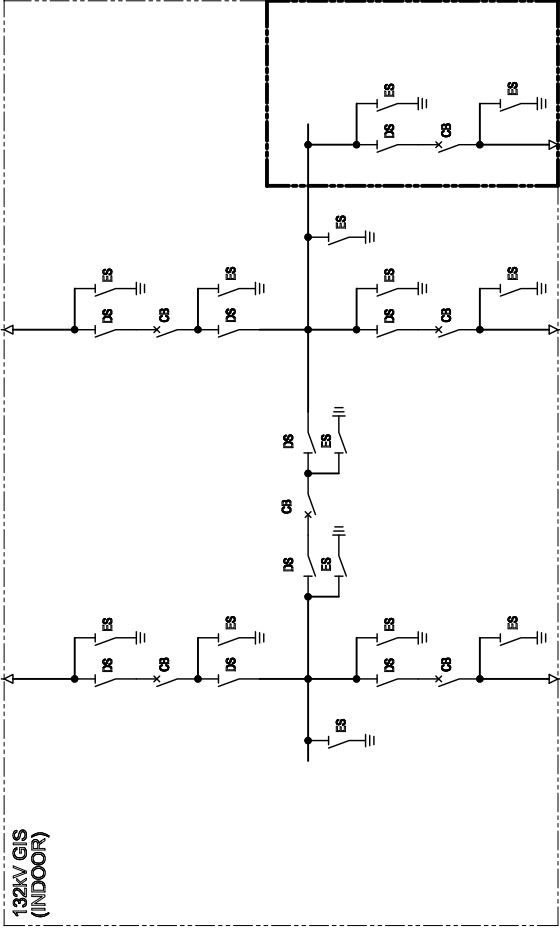

 : PROJECT SCOPE OF T/L MODIFICATION
 & GSS EXTENSION AREA

OLD HABARANA GS

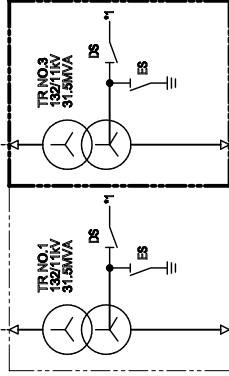
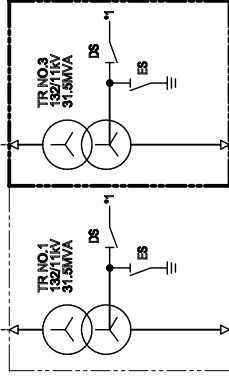
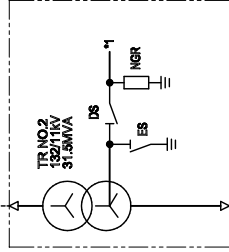
MARADANA

DEHIWALA

132KV GIS
(INDOOR)

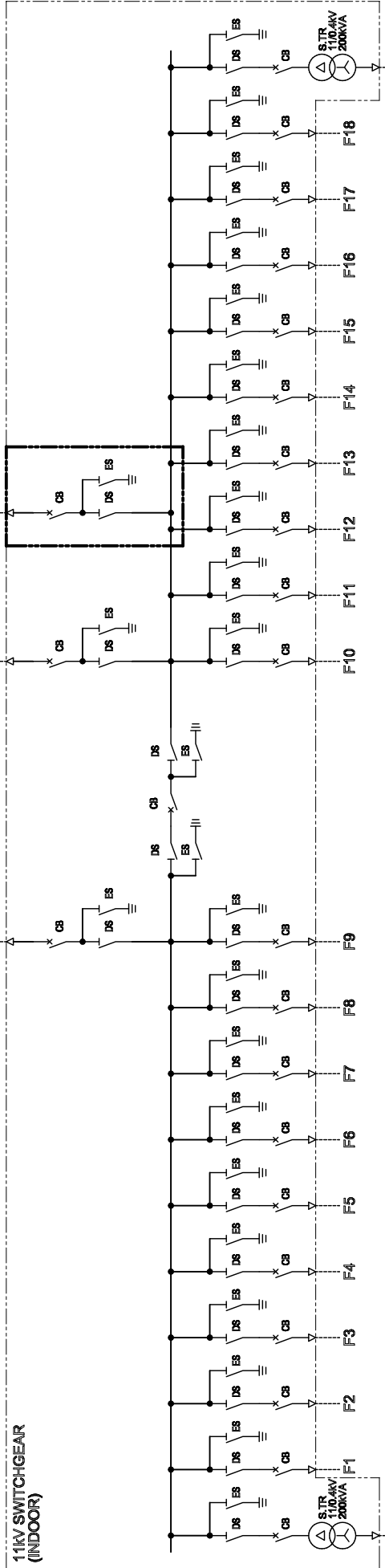


TR BANK
(OUTDOOR)



□ : EXTENSION SCOPE

11KV SWITCHGEAR
(INDOOR)

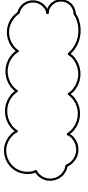
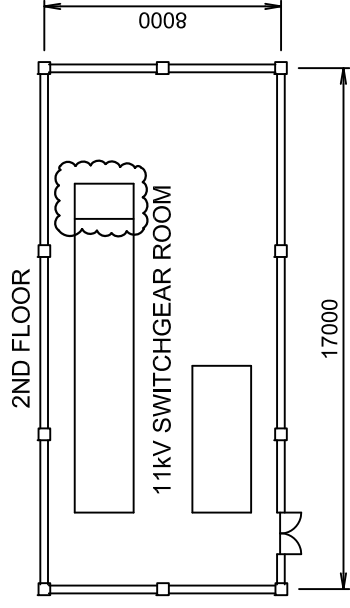
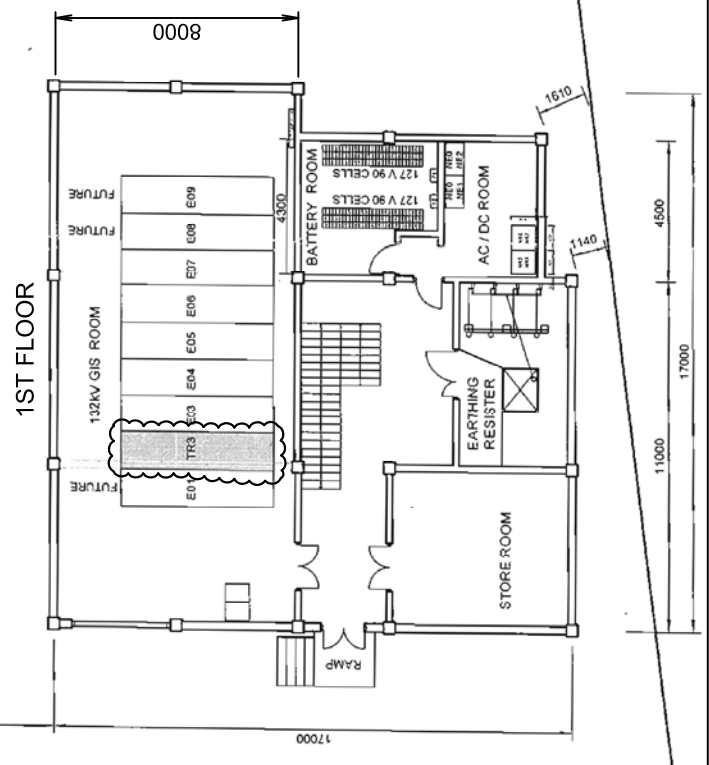
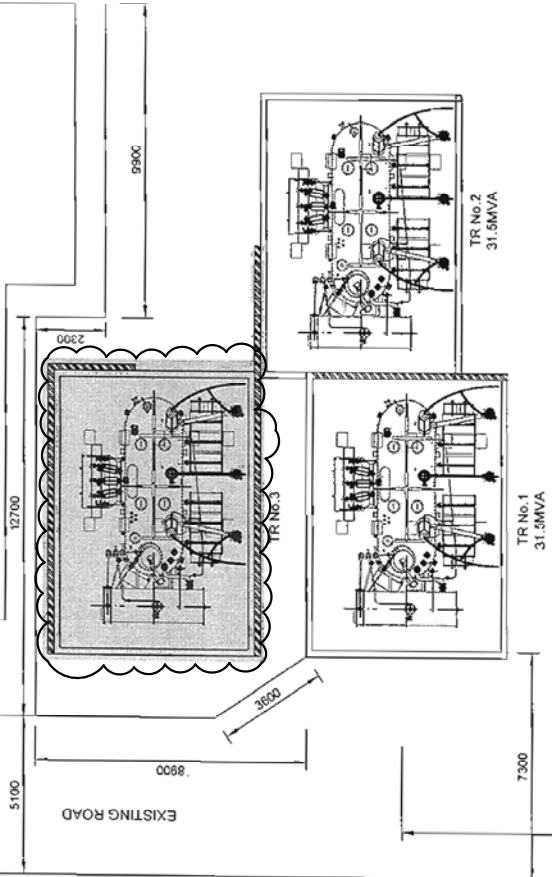


LVAC

LVAC

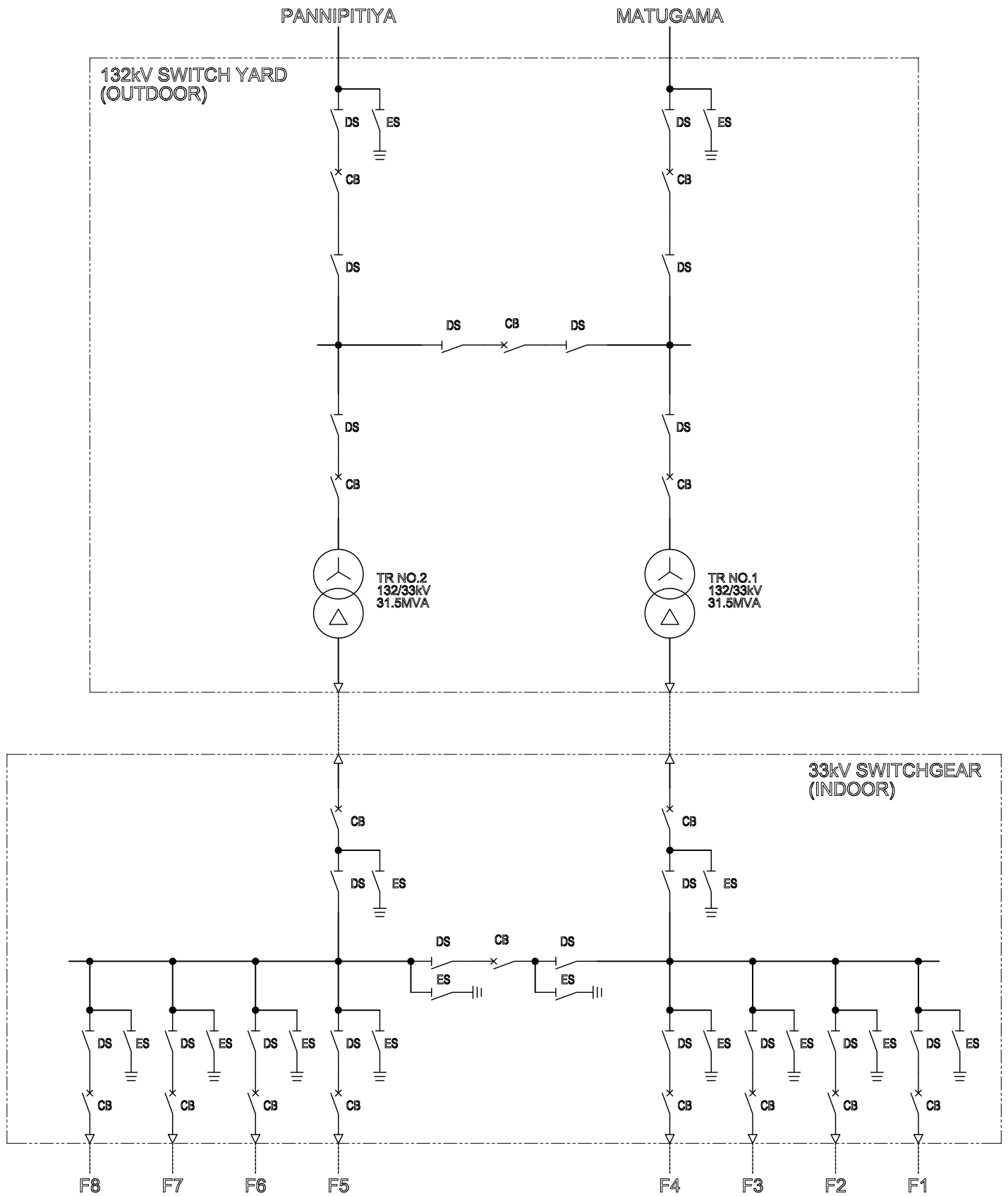
COLOMBO - A GS

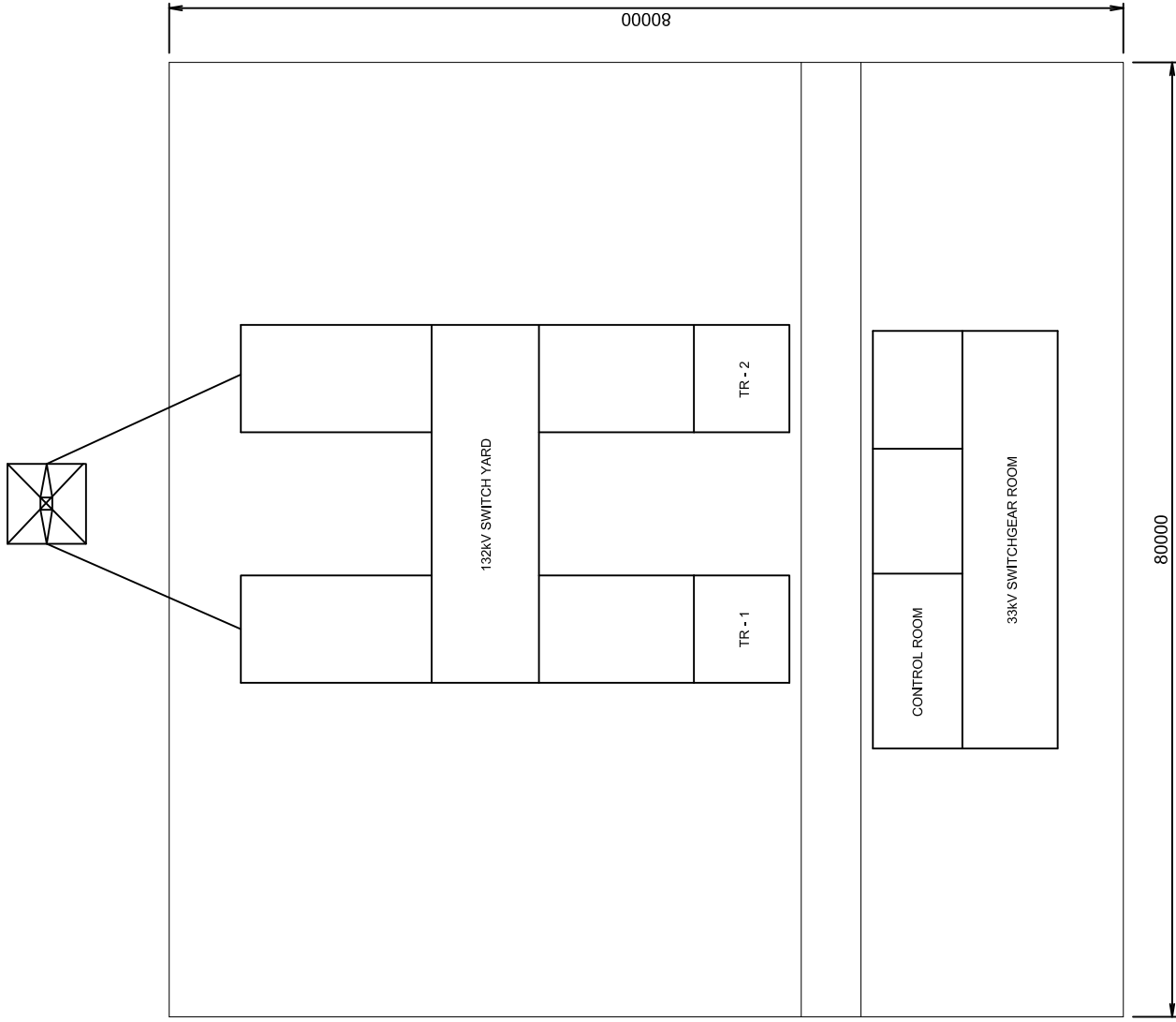
EXISTING COLOMBO
CITY CONTROL
CENTER



: PROJECT SCOPE OF GSS EXTENSION AREA

SCOPE OF WORK



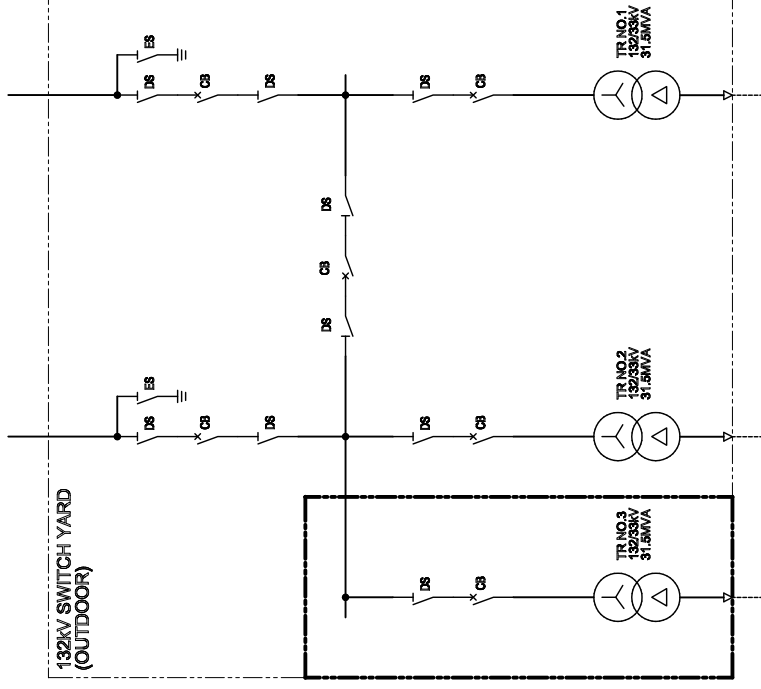


THIS KALUTARA GSS IS CARRIED OUT BY PROJECT SCOPE OF NEW CONSTRUCTION.

KOTUGODA

PUTTALAMA

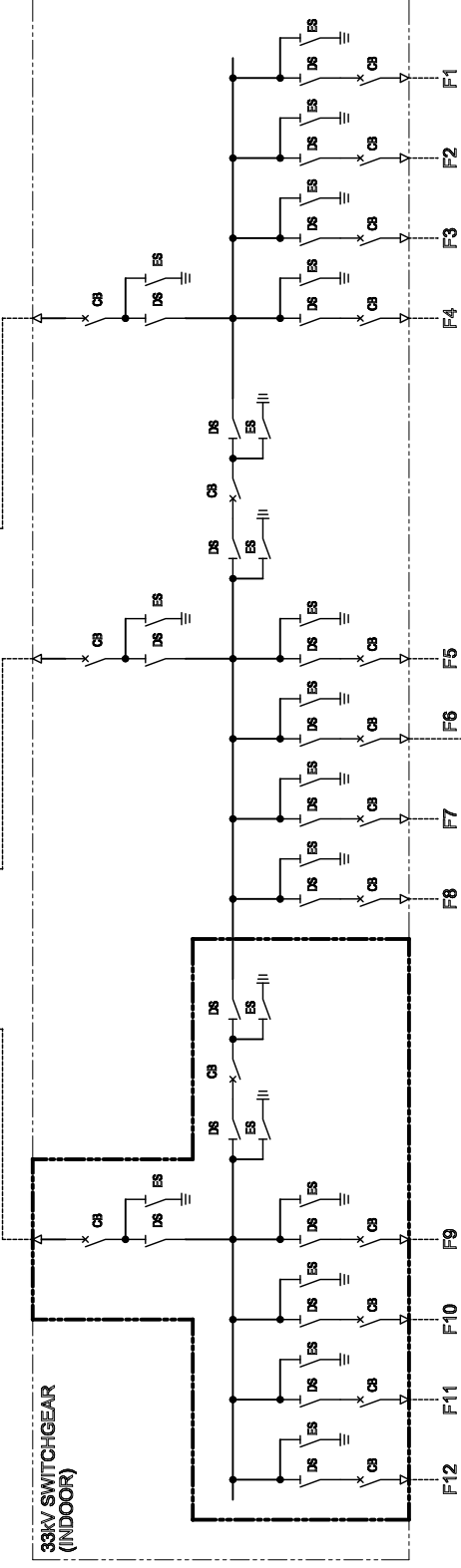
132KV SWITCH YARD (OUTDOOR)



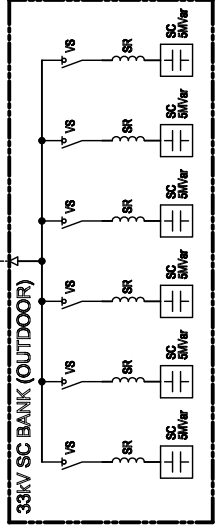
EXTENSION SCOPE



33KV SWITCHGEAR (INDOOR)



33KV SC BANK (OUTDOOR)



72000

55000

20000

REMOVE OF NET FENCE @ 2m

EXTENSION OF 132KV TR BAY
132KV EXISTING SWITCH YARD

EXISTING
TR - 1

33KV EXISTING
SWITCHGEAR


EXTENSION OF 33KV SWITCHGEAR
& BUILDING MODIFICATION @ 2m

EXISTING
TR - 2

NEW
TR - 3

EXTENSION OF POWER TR
132/33KV 31.5MVA

EXTENSION OF CAPACITOR BANK
5MVAR @ 6 SETS

 : PROJECT SCOPE OF GSS EXTENSION AREA