

## **ATTACHMENTS**

Attachment-1	Contacted Personnel
Attachment-2	Photographs
Attachment-3	Single Line and Layout Drawings
Attachment-4	Environmental Checklist
Attachment-5-1	Economic Cost Estimations
Attachment-5-2	EIRR Calculations

## Contacted Personnel: Sri Lanka Side

Name	Position
Mr. M. M.C Ferdinando	Secretary Ministry of Power and Energy
Mr. Upali Daranagama	Additional Secretary (Planning and Development) Ministry of Power and Energy
Mr. R. J. Gunawardana	Additional General Manager Distribution Region-2, CEB
Ms. A. Tilleceratne	Deputy General Manager Transmission and Generation Planning, CEB
Mr. W. A. J. K Amarasinghe	Deputy General Manager Planning & Development- Region 2, CEB
Mr. Samitha Midigaspe	Chief Engineer Generation Planning, CEB
Ms. Natasha. Gunaratne	Electrical Engineer Generation Planning, CEB
Ms. K. Jayasekera	Chief Engineer Transmission Planning, CEB
Ms. N. Wickramasinghe	Electrical Engineer Transmission Planning, CEB
Ms. G. Senanayake	Electrical Engineer Transmission Planning, CEB
Mr. G. B. Alahendra	Electrical Engineer Transmission Planning, CEB
Ms. T. Kothalawaka	Electrical Engineer Transmission Planning, CEB
Mr. Shireley T. Jayakody	Project Manager Tricomalee Coal Power Project, CEB
Mr. K.S.S Kumara	Project Manager 2 Tricomalee Coal Power Project, CEB
Mr. Nishantha Patabendige	Project Engineer Tricomalee Coal Power Project, CEB
Mr. Anuruddha Tilakaratne	Project Manager Vavuniya Kilinochchi Transmission Project, CEB
Mr. Kelum Athukorala	Civil Engineer Environment Unit Transmission Design & Environment Branch, CEB
Mr. P.J.N. Priris	Deputy General Manager (Training) CEB Training Center
Mr. S. H. N. Somawardana	Deputy General Manager Region 1 Colombo City, CEB
Mr. N. P. S Karunaratne	Deputy General Manager Region 1 North Western Province, CEB
Mr. K. Weerasaooriya	Chief Engineer (Energy Management) Region 1 North Western Province, CEB
Mr. K. K. P. Perera	Chief Engineer (Development) Region 1, CEB
Mr. T. K. Bandara	Electrical Engineer (Planning) Region 1 North Western Province, CEB
Mr. K. A. Karunasena	Deputy General Manager Commercial Corporation, Region 2, CEB
Mr. D.C.J. Saram	Deputy General Manager Region 2 Western Province North, CEB

Name	Position
Mr. R. S. Gajenthira	Chief Engineer Region 2, CEB
Mr. Jaliya Rathnayake	Electrical Engineer Region 2 Western Province North, CEB
Ms. Vavuni Randima	Electrical Engineer Region 2 Western Province North, CEB
Mr. K. Ratneswaran	Electrical Engineer (Planning) Region 2, CEB
Ms. Mahesha Dissanayake	Electrical Engineer Region 2, CEB
Mr. K. Ratneswaran	Planning Engineer, Region 2, CEB
Mr. H. M. Wijekoon	Chief Engineer Region 3, CEB
Mr. J. Fernando	Deputy General Manager Region 4, CEB
Ms. C. Gamlath	Electrical Engineer Region 4, CEB
Ms. P. H. N. S. De Silvs	Electrical Engineer Planning Department Region 4, CEB
Ms. Y. Samarasinghe	Deputy General Manager Region 4 Western Province South 1, CEB
Ms. I. Lokubalasoona	Chief Engineer (Planning) Region 4 Western Province South 1, CEB
Ms. G. Yogakingam	Electrical Engineer (Planning) Region 4 Western Province South 1, CEB
Ms. Ajitha M.P.W. Dayarathna	Director Central Environmental Authority
Mr. Upali Patamasiri	Assistant Director Division of Wildlife
Ms. Amara Liyanaarachchi	Director Ministry of Forest Department

## Concerned Personnel: Japan Side and Others

Name	Position
Mr. Akira SHIMURA	Chief Representative JICA Sri Lanka Office
Mr. Tatsunori HIGUCHI	Representative JICA Sri Lanka Office
Mr. Gen HASHIMOTO	Representative JICA Sri Lanka Office
Dr. Priyantha Serasinghe	Senior Project Specialist JICA Sri Lanka Office
Mr. Seiji NODA	Senior Infrastructure Specialist ADB Sri Lanka Resident Mission
Mr. Masahide SAKISHIGE	Resident Representative JETRO Colombo

Transmission Line Survey (1/2)



220/132/33kV Veyangoda GS



220kV Bus Extension Space in Veyangoda GS



Railway Crossing Point in Route of New 220 kV Habarana-Veyangoda Transmission Line



132/33 kV Habarana GS



220/132/33kV New Habarana SS Candidate Site



132/33 kV Naula GS Candidate Site

Transmission Line Survey (2/2)



Ukuwela HPP (2 × 19 MVA)



132/33kV Ukuwela Switchyard



132/33 kV Kiribathkumbura GS



33 kV Switchgear in Kiribathkumbura GS



Kotomale Dam



Polpitiya HPP (37.5 MVA × 2)

### Grid Substation Survey



132 kV GIS at Kolonnawa – New GS



33 kV Switchgear at Pannala GS



220/132 kV Switchyard at Biyagama GS



33 kV Switchyard at Biyagama GS



220/132/33 kV Auto-transformer at Biyagama GS



Remote Control System at Bolawatta GS

### Distribution Line Survey



33 kV Distribution Lines



Connection of 33 kV Distribution Lines



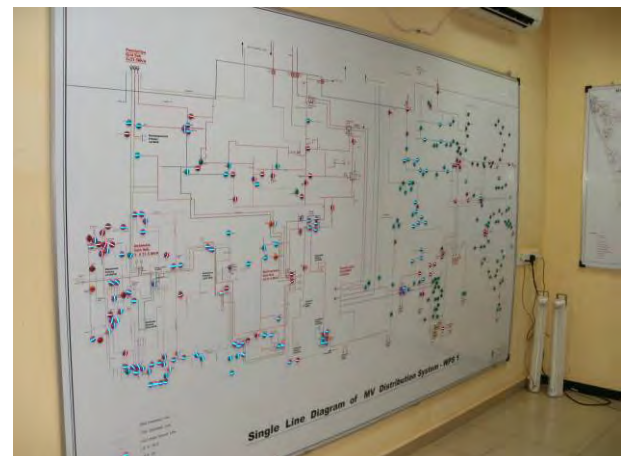
33 kV/400-230 V Step-down Transformer and Low Voltage Lines



Connection of Low Voltage Lines and Low Voltage Concrete Pole



11 kV Switchgear at Colombo-C GS



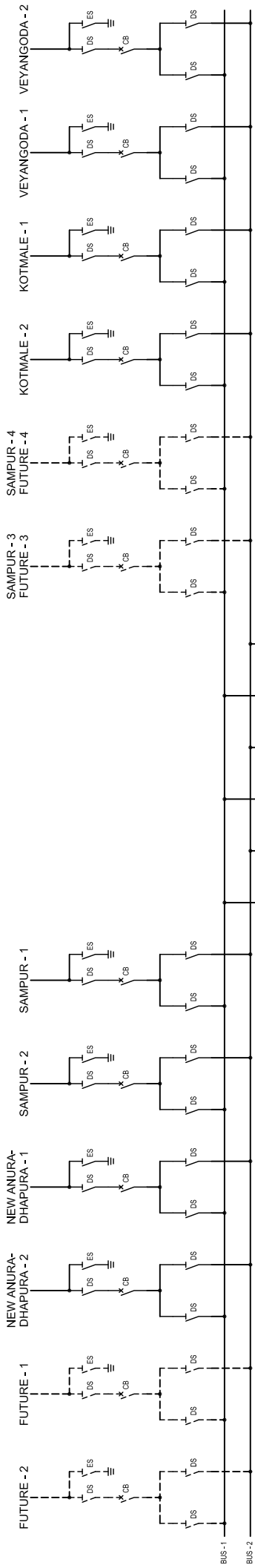
33/11 kV Distribution Line Control Board

### ***ATTACHMENT-3 SINGLE LINE AND LAYOUT DRAWINGS***

1. New Habarana SS
2. Veyangoda GS (220/132 kV)
3. Veyangoda GS (33 kV)
4. Polpitiya PS
5. Kiribathkumbura GS
6. Ukuwela GS
7. Old Habarana GS
8. Colombo – A GS
9. Kalutara GS
10. Madampe GS
11. Biyagama GS (220/132 kV)
12. Biyagama GS (33 kV)
13. Sapugaskanda GS
14. Chunnakam GS
15. Pannala GS
16. Bolawatta GS
17. Kolonnawa GS



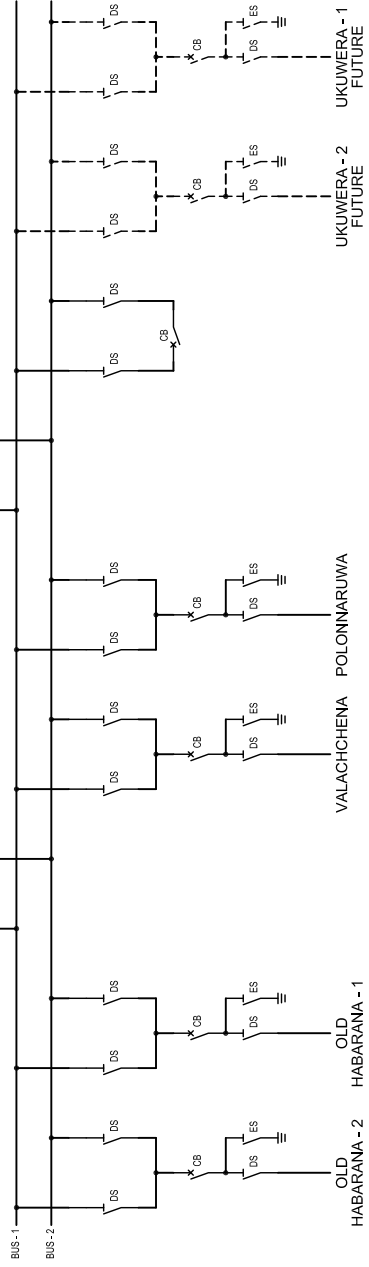
NEW HABARANA GSS  
220kV SWITCH YARD  
(OUTDOOR)



TR NO.2  
220/132/33KV  
250MVA

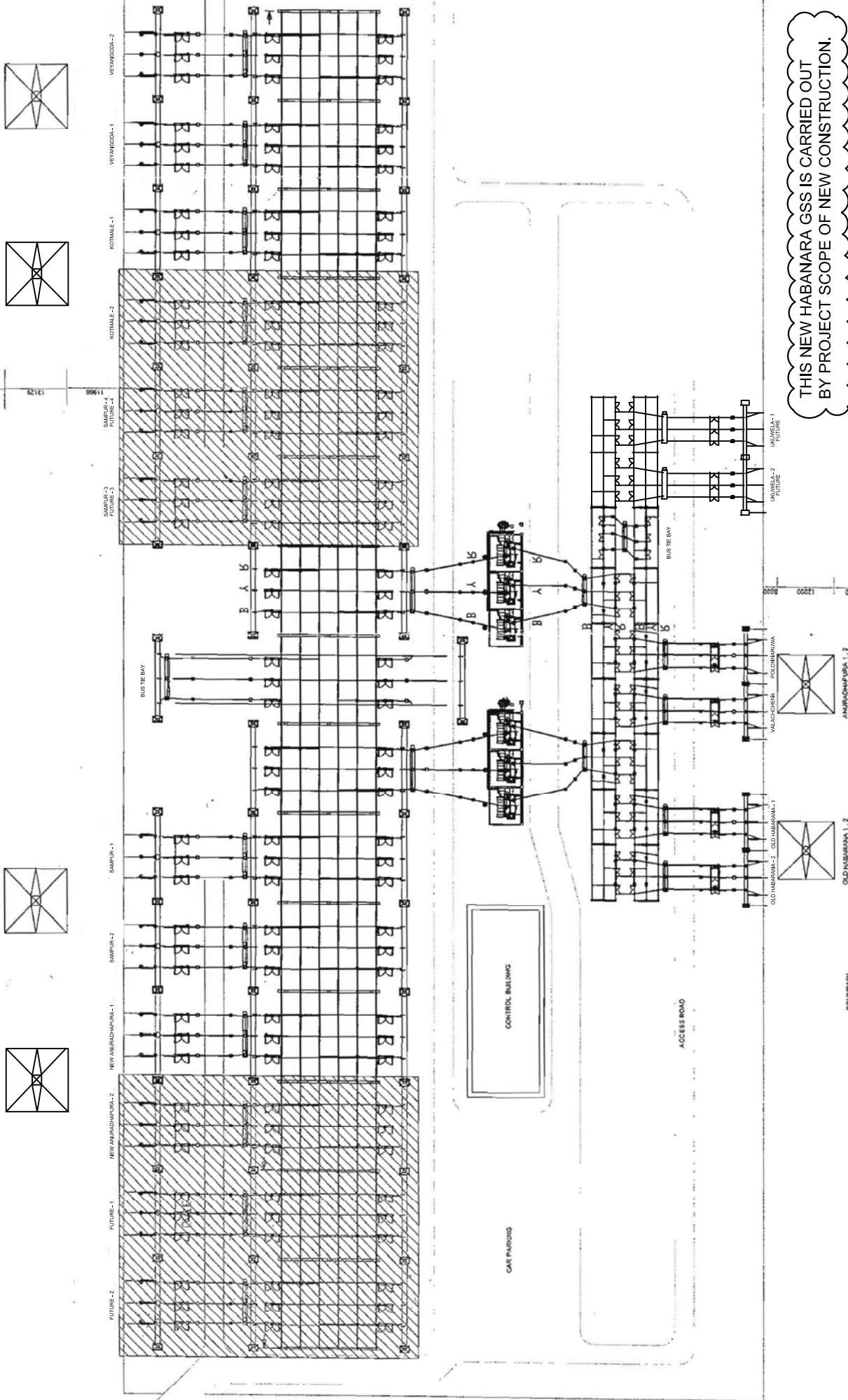
TR NO.1  
220/132/33KV  
250MVA

NEW HABARANA GSS  
132KV SWITCH YARD  
(OUTDOOR)



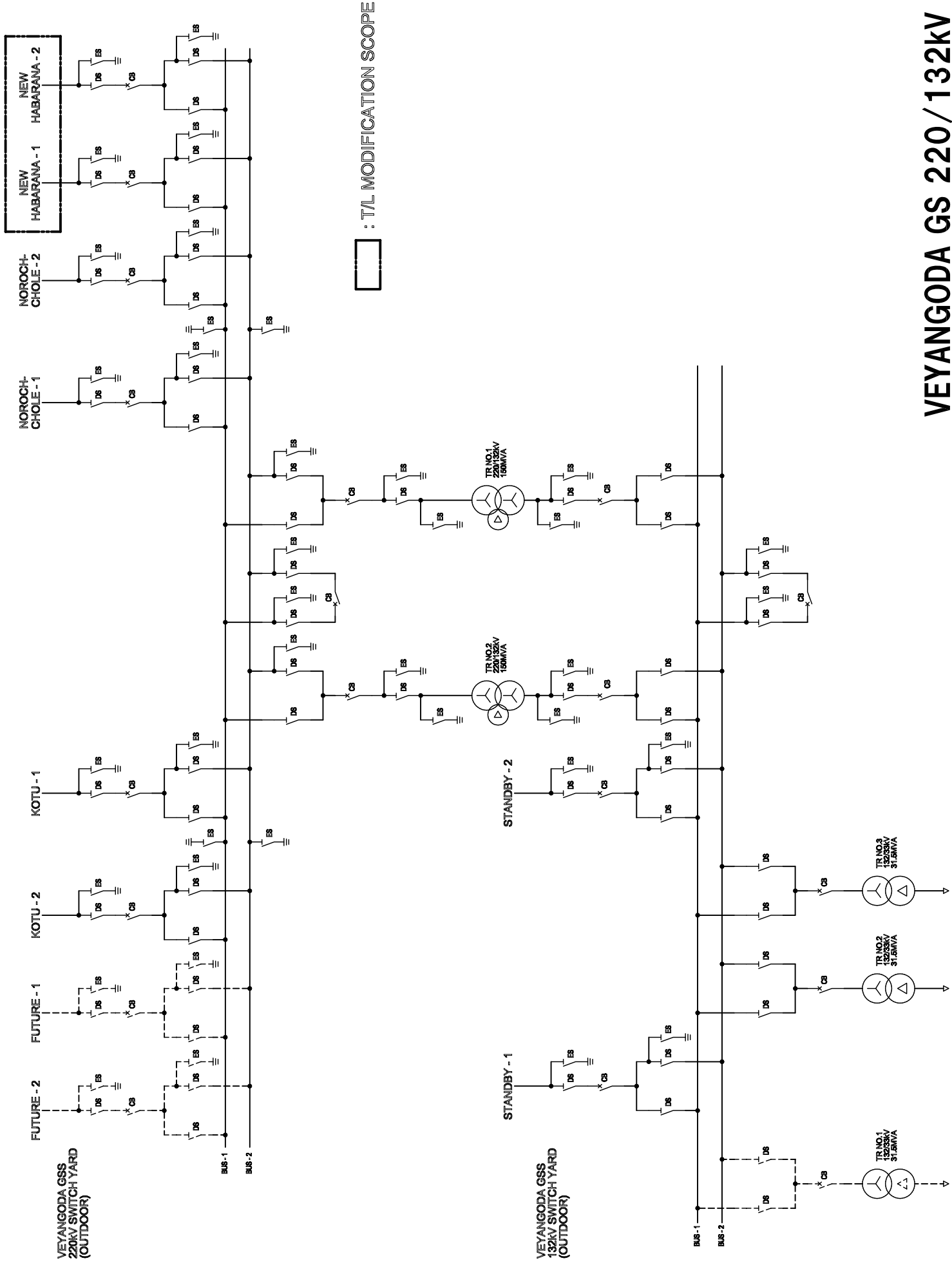
300000

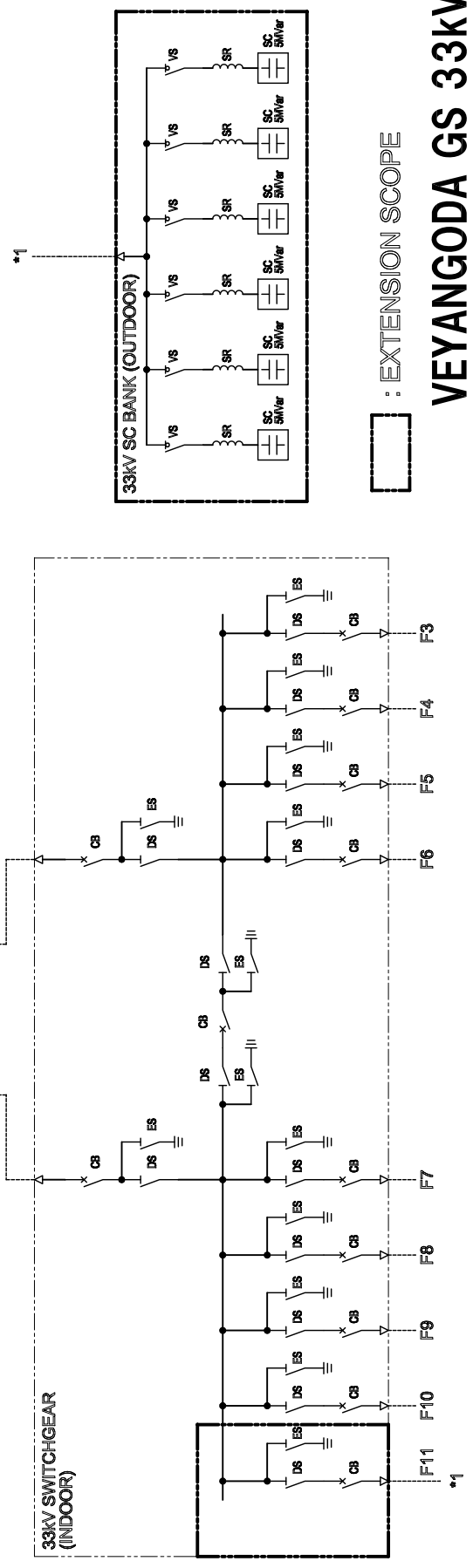
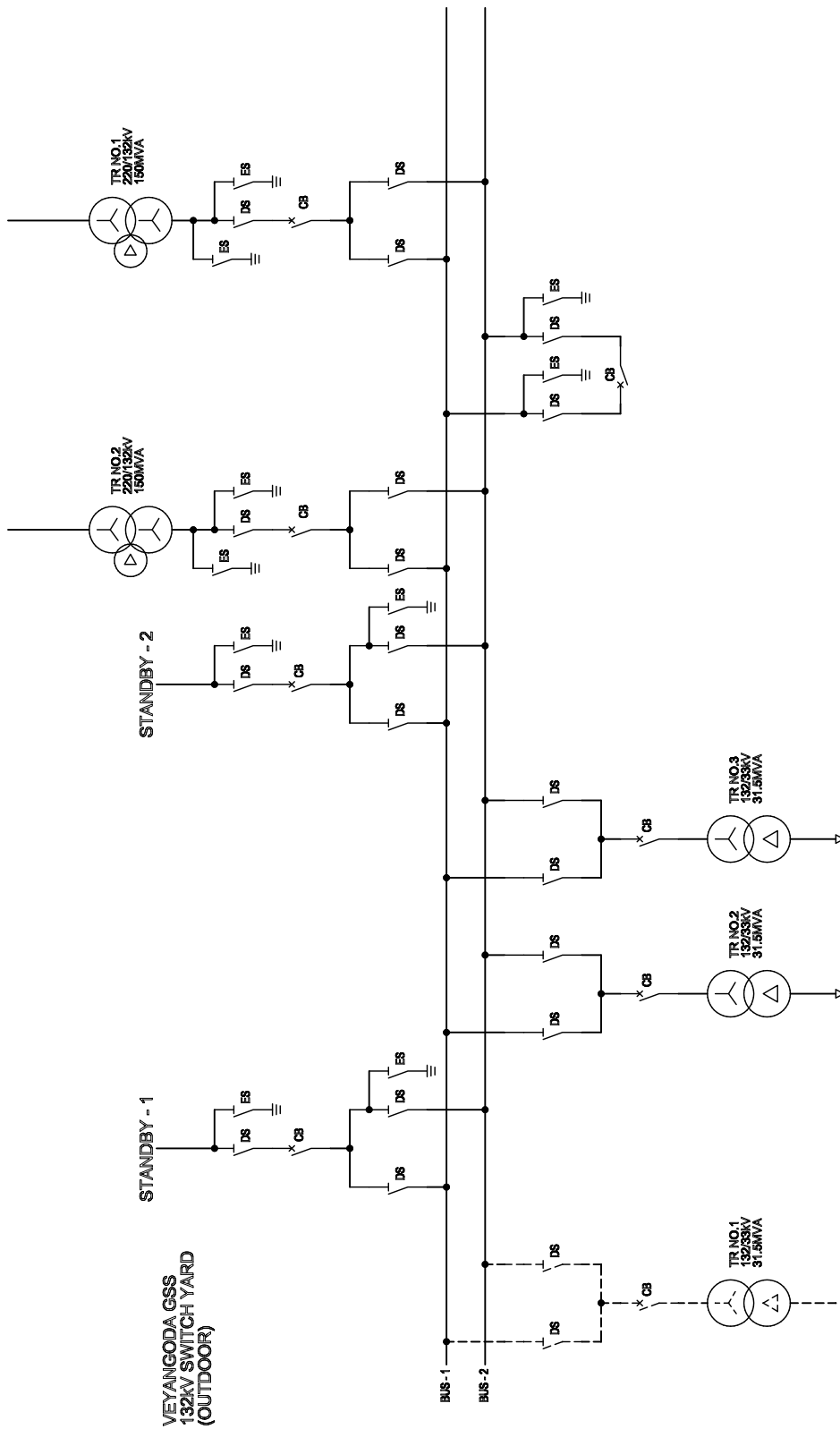
195000



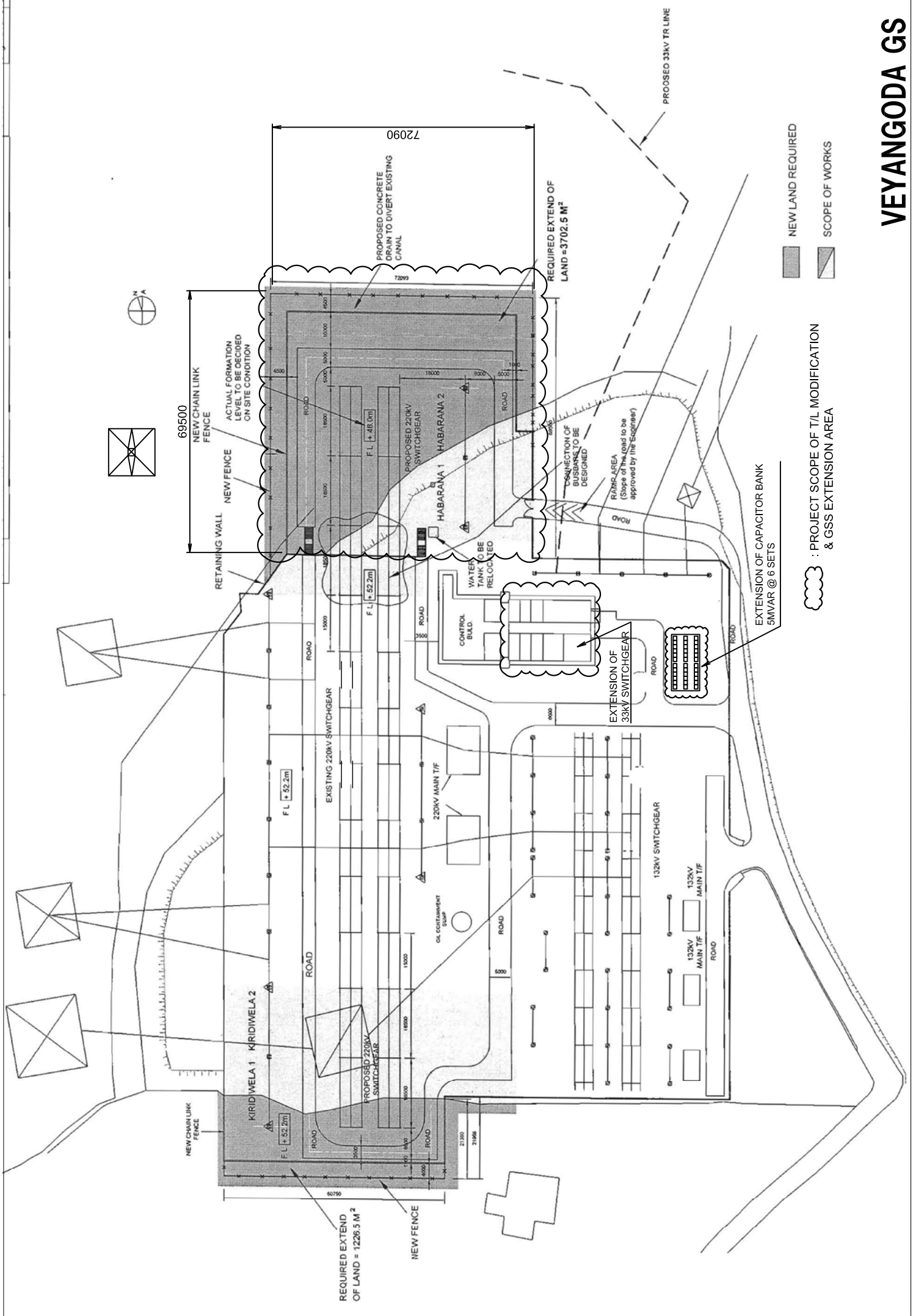
THIS NEW HABARANA GSS IS CARRIED OUT BY PROJECT SCOPE OF NEW CONSTRUCTION.

# NEW HABARANA SS





VEYANGODA GS 33KV SLD

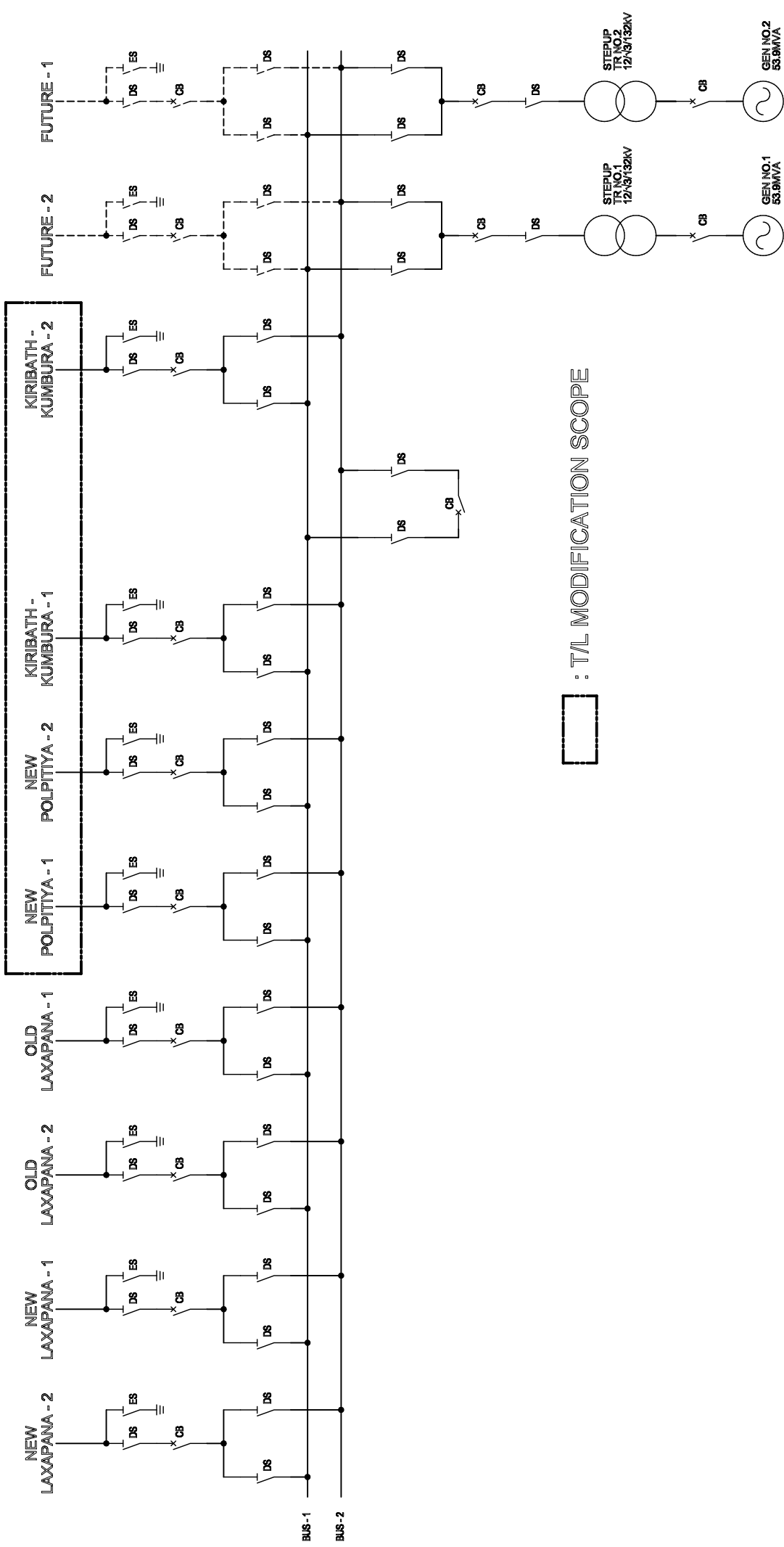


NEW LAND REQUIRED

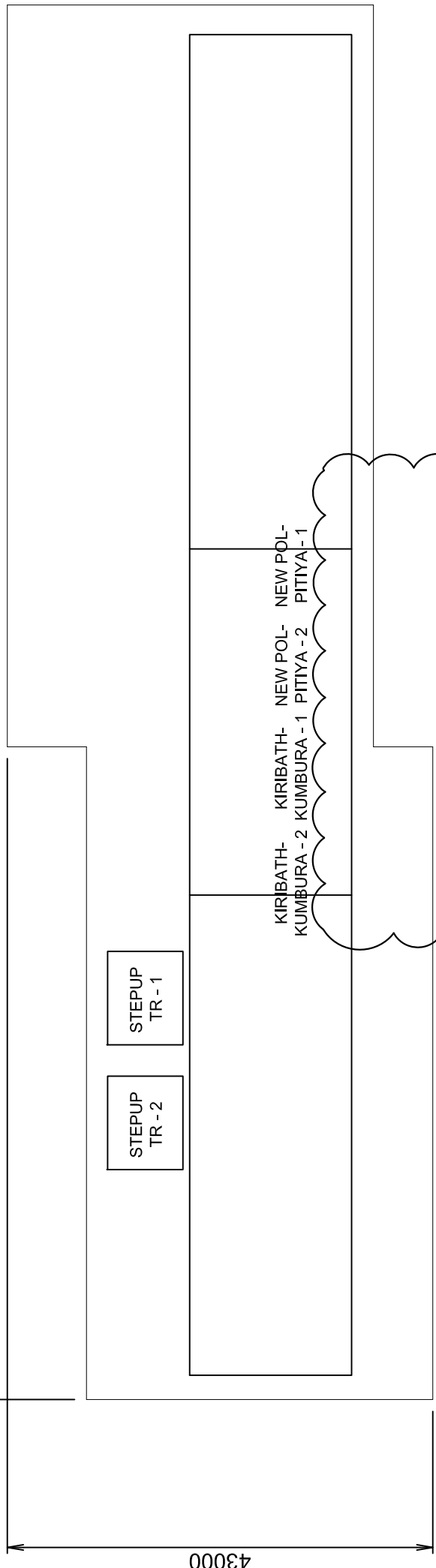
SCOPE OF WORKS

PROJECT SCOPE OF T/L MODIFICATION & GSS EXTENSION AREA

132kV SWITCH YARD  
(OUTDOOR)



141000



43000

 : PROJECT SCOPE OF T/L MODIFICATION AREA