

パレスチナ暫定自治政府 (THE PALESTINIAN INTERIM SELF-GOVERNMENT AUTHORITY)

パレスチナ水利庁 (PALESTINIAN WATER AUTHORITY)

基本設計図 (参考図)

BASIC DESIGN DRAWINGS (APPENDIX)

パレスチナ暫定自治政府 ジェリコ市水環境改善・有効活用計画

THE JERICHO WASTEWATER COLLECTION, TREATMENT SYSTEM AND REUSE PROJECT

IN

THE PALESTINIAN INTERIM SELF-GOVERNMENT AUTHORITY

JAPAN INTERNATIONAL COOPERATION AGENCY

NJS CONSULTANT CO., LTD

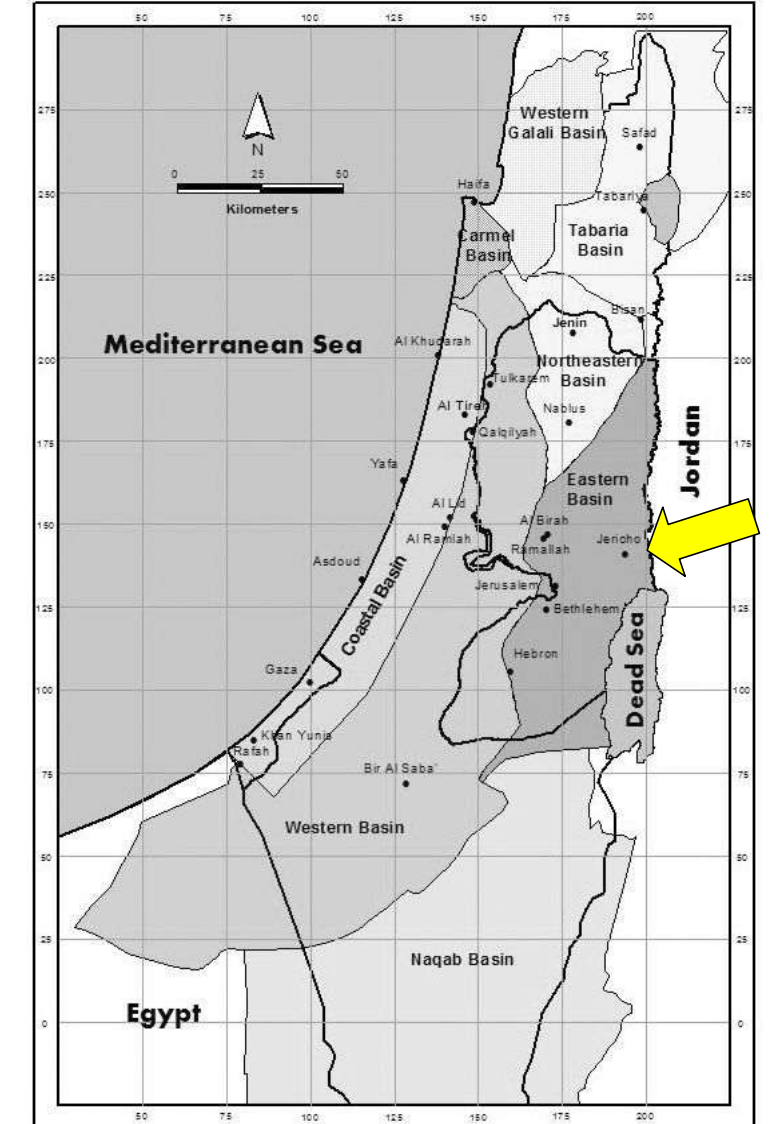
AUGUST 2011

Drawing List
図面リスト

No. 番号	Drawing Name 図面名称	Scale 縮尺	No. 番号	Drawing Name 図面名称	Scale 縮尺
1	SEWARAGE SYSTEM LOCATION 下水道施設 位置図	None	16	WWTP BUILDING PLAN & SECTION (2) 下水処理場 建築構造物 平断面図 (2)	1:100
2	WWTP LAYOUT PLAN 下水処理場 平面配置図	1:100	17	WWTP SINGLE LINE DIAGRAM 下水処理場 単線結線図	None
3	WWTP FLOW SHEET 下水処理場 フローシート	None	18	WWTP SCADA SYSTEM DIAGRAM 下水処理場 SCADA システム	None
4	WWTP HYDRAULIC PROFILE 下水処理場 水位高低図	None	19	WWTP INSTRUMENTATION DIAGRAM(1/2) 下水処理場 計装ダイアグラム図 (1)	None
5	WWTP WASTE WATER RECEIVING TANK PLAN & SECTION 下水処理場 汚水受水槽 平断面図	1:100	20	WWTP INSTRUMENTATION DIAGRAM(2/2) 下水処理場 計装ダイアグラム図 (2)	None
6	WWTP GRIT CHAMBER PLAN & SECTION 下水処理場 沈砂池 平断面図	1:100	21	GENERAL PLAN for SEWER PIPES 下水管渠 全体平面図	1:15000
7	WWTP REACTOR TOP PLAN 下水処理場 反応槽上部 平面図	1:100	22	SEWER LAYING PLAN with COLLECTION AREA (NW, 1/4) 下水管渠 区画割平面図 (北西、1)	1:6000
8	WWTP REACTOR BELOW PLAN 下水処理場 反応槽下部 平面図	1:100	23	SEWER LAYING PLAN with COLLECTION AREA (NE, 2/4) 下水管渠 区画割平面図 (北東、2)	1:6000
9	WWTP CLARIFIER PLAN 下水処理場 沈殿池 平面図	1:100	24	SEWER LAYING PLAN with COLLECTION AREA (SW, 3/4) 下水管渠 区画割平面図 (南西、3)	1:6000
10	WWTP REACTOR/CLARIFIER SECTION 下水処理場 反応槽/沈殿池 断面図	1:100	25	SEWER LAYING PLAN with COLLECTION AREA (SE, 4/4) 下水管渠 区画割平面図 (南東、4)	1:6000
11	WWTP DISINFECTION TANK/IRRIGATION TANK/SLUDGE THICKENER PLAN & SECTION 下水処理場 塩素滅菌槽/灌漑水槽/汚泥濃縮槽 平断面図	1:100	26	PROFILE for TRUNK SEWER (1/4) 下水管渠 幹線縦断面図 (1)	1/200, 1/10000
12	WWTP SLUDGE DRYING BED PLAN & SECTION 下水処理場 天日乾燥床 平断面図	1:300	27	PROFILE for TRUNK SEWER (2/4) 下水管渠 幹線縦断面図 (2)	1/200, 1/10000
13	WWTP PIPE LAYOUT PLAN(1) 下水処理場 場内配管図 (東側)	1:400	28	PROFILE for TRUNK SEWER (3/4) 下水管渠 幹線縦断面図 (3)	1/200, 1/10000
14	WWTP PIPE LAYOUT PLAN(2) 下水処理場 場内配管図 (西側)	1:400	29	PROFILE for TRUNK SEWER (4/4) 下水管渠 幹線縦断面図 (4)	1/200, 1/10000
15	WWTP BUILDING PLAN & SECTION (1) 下水処理場 建築構造物 平断面図 (1)	1:100	30	SEWER PIPE WADI CROSSING PLAN & PROFILE 下水管渠 ワジ横断部 平面及び縦断面図	1:500

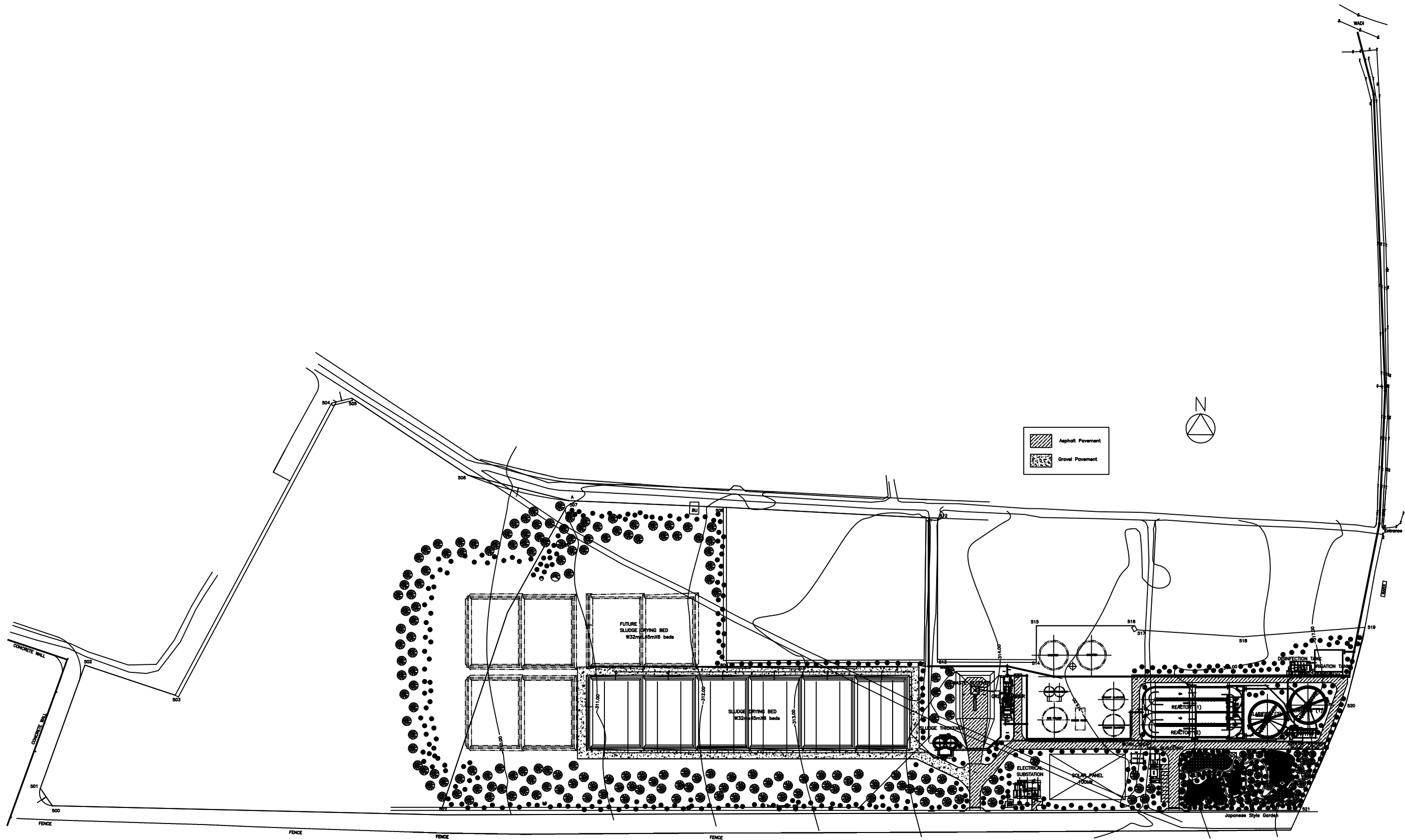


SEWSGE SYSTEM LOCATION
IN JERICHO
Scale 1:15000

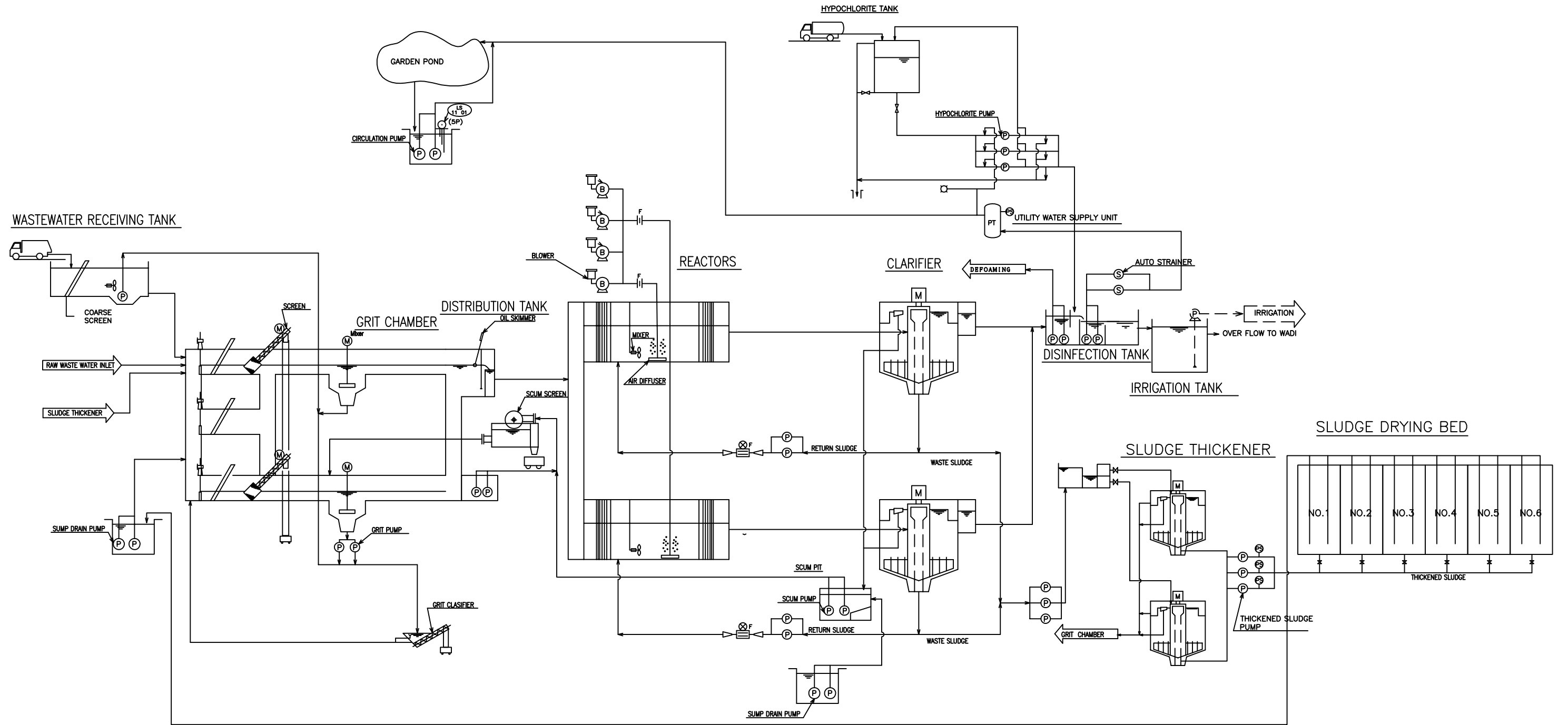


JERICHO MUCICIPALITY LOCATION

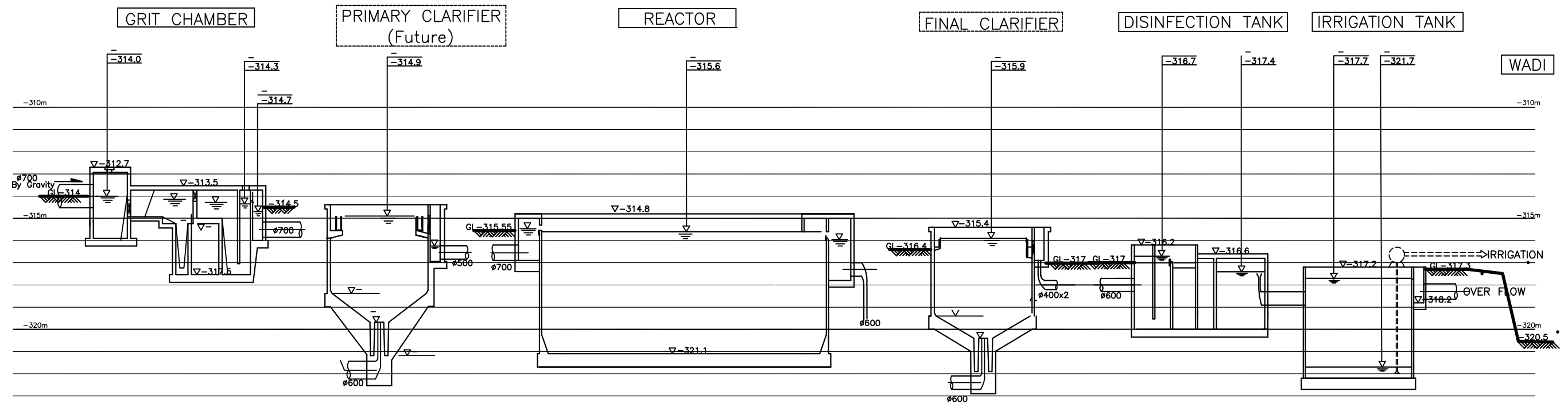
Project Name THE PREPARATORY SURVEY (BASIC DESIGN) ON THE JERICHO WASTEWATER COLLECTION, TREATMENT SYSTEM AND REUSE PROJECT パレスチナ ジェリコ市水環境改善・有効活用計画準備調査	
Drawing Title SEWERAGE SYSTEM LOCATION 下水処理施設配置図	Scale: 1:15,000 Drawing No. 1/30



Project Name	
THE PREPARATORY SURVEY (BASIC DESIGN) ON THE JERICHO WASTEWATER COLLECTION, TREATMENT SYSTEM AND REUSE PROJECT	
パレスチナ ジェリコ市水環境改善・有効活用計画準備調査	
Drawing Title	
WWTP LAYOUT PLAN	Scale: 1 : 1250
下水処理場 平面配置図	Drawing No. 2/30

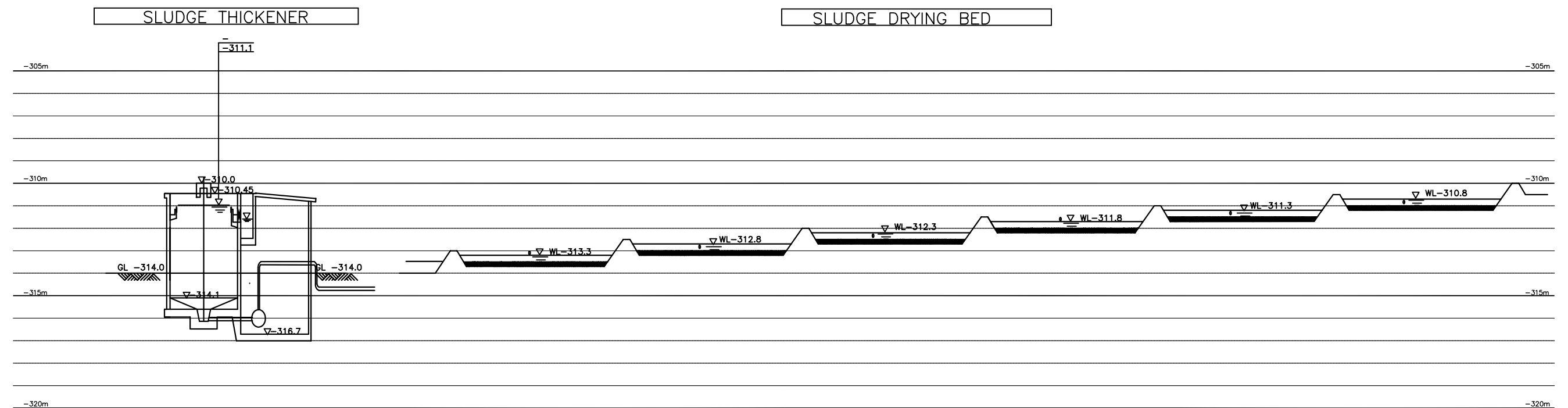


Project Name	
THE PREPARATORY SURVEY (BASIC DESIGN) ON THE JERICHO WASTEWATER COLLECTION, TREATMENT SYSTEM AND REUSE PROJECT	
パレスチナ ジェリコ市水環境改善・有効活用計画準備調査	
Drawing Title	
WWTP FLOW SHEET	
下水処理場 フローシート	
Scale:	None
Drawing No.	3/30

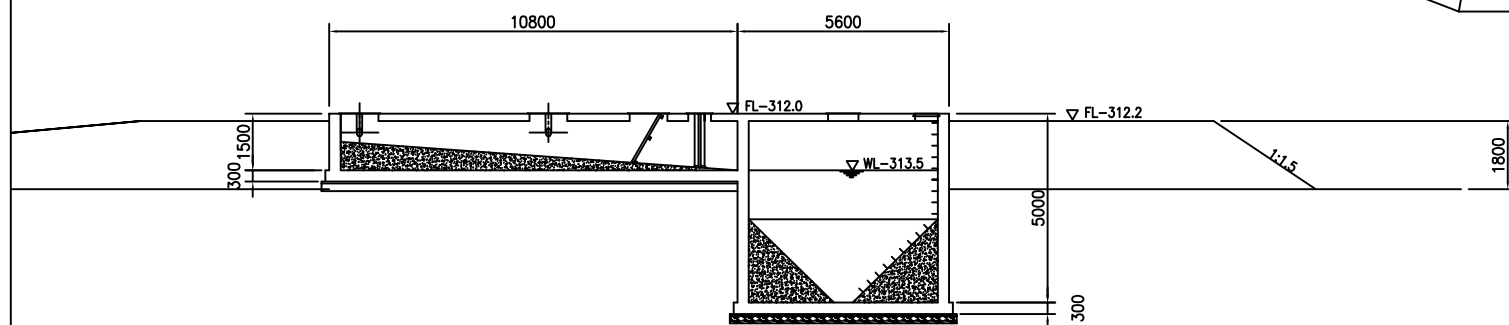
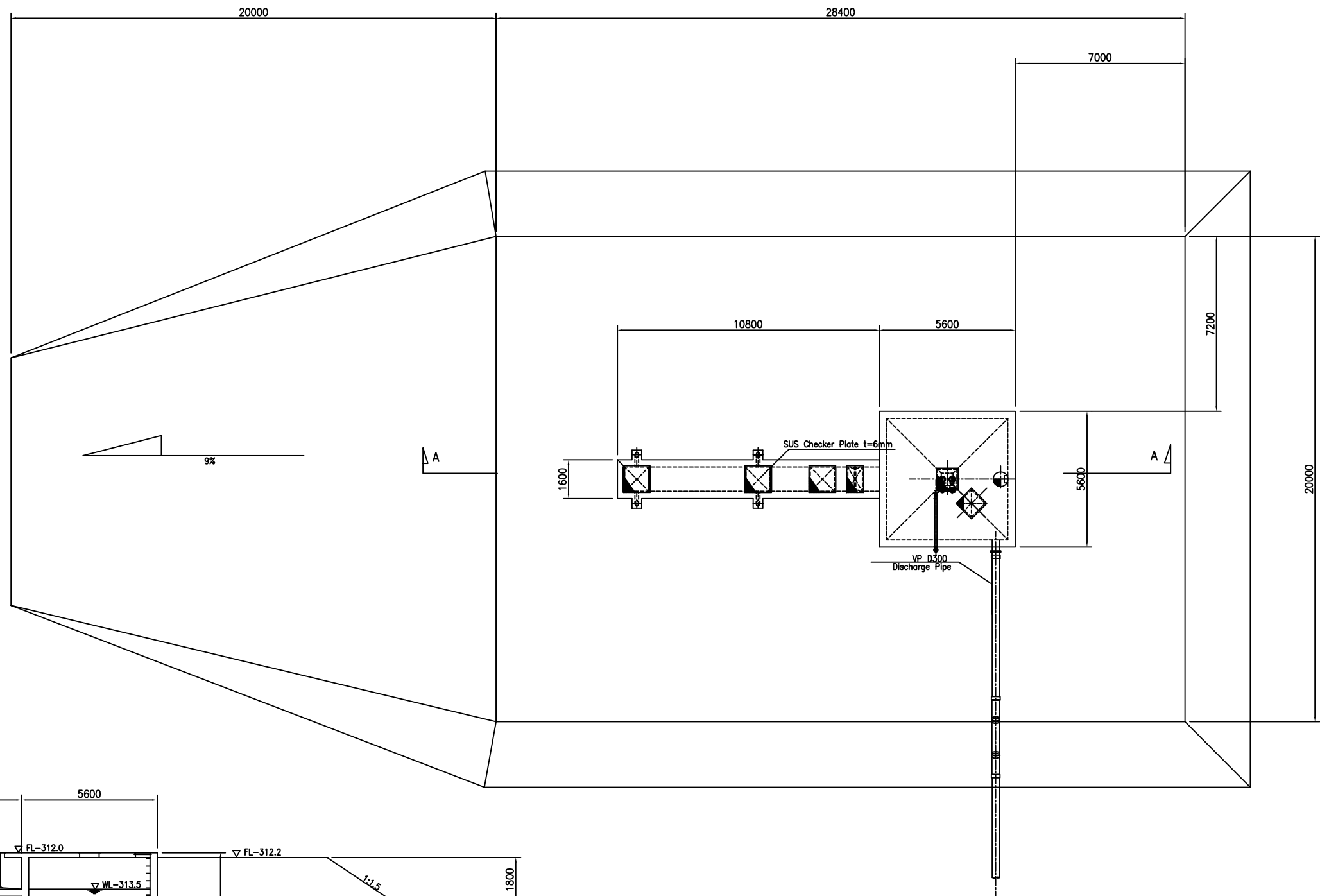


LEGEND

HOURLY DESIGN MAXIMUM FLOW
DAILY DESIGN MAXIMUM FLOW



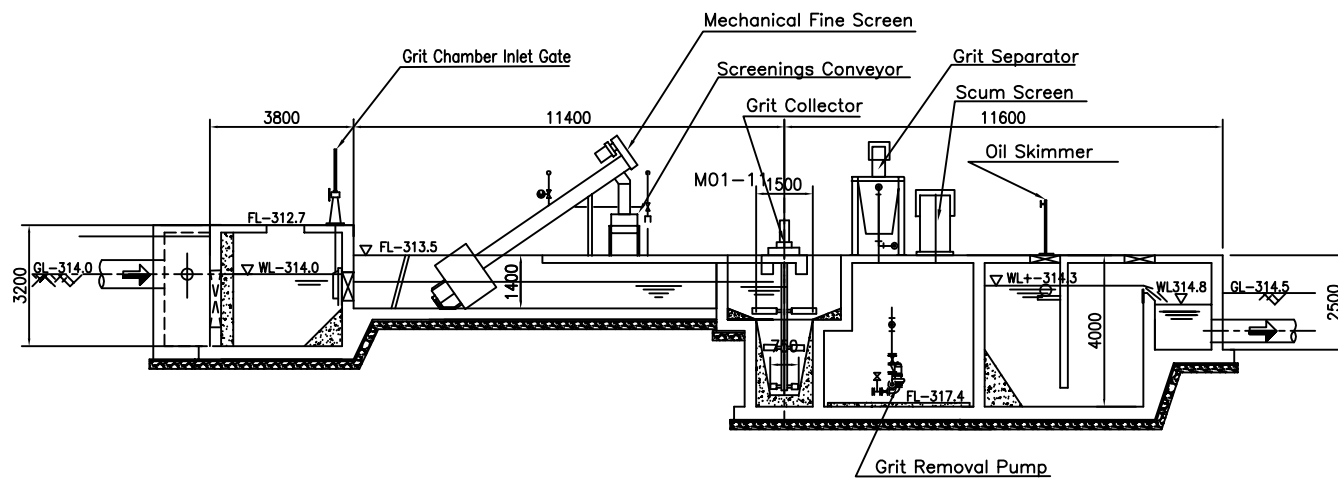
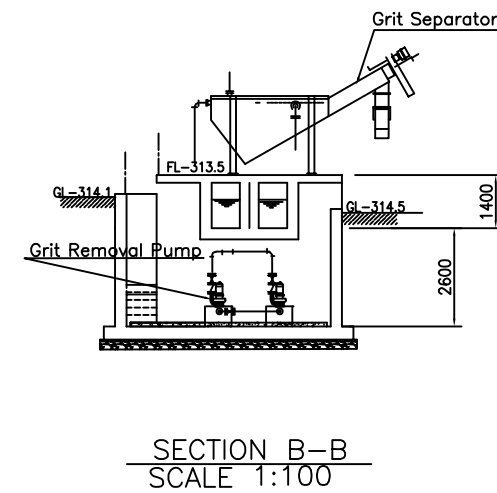
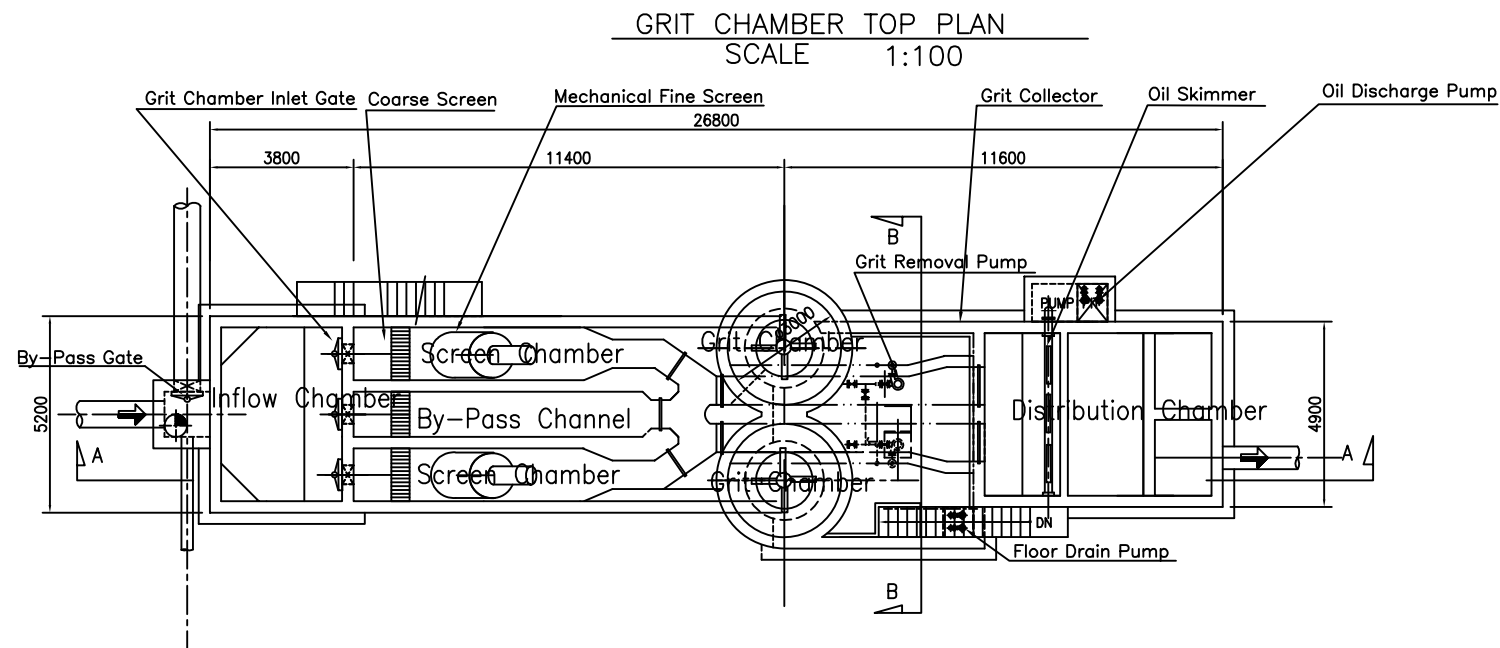
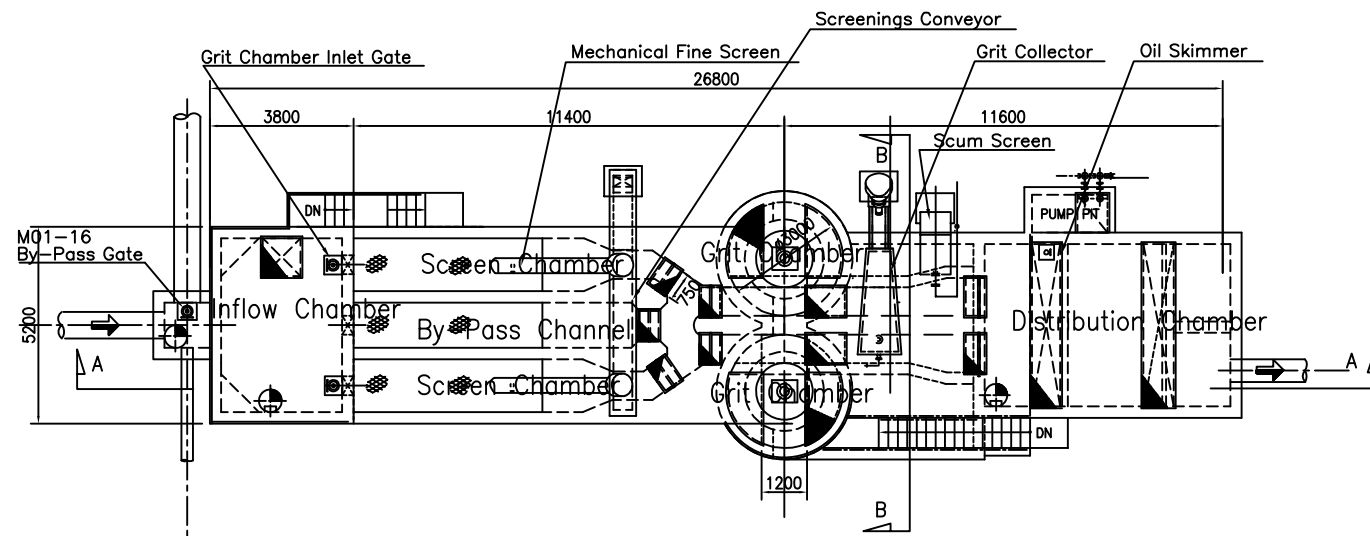
Project Name	
THE PREPARATORY SURVEY (BASIC DESIGN) ON THE JERICHO WASTEWATER COLLECTION, TREATMENT SYSTEM AND REUSE PROJECT	
パレスチナ ジェリコ市水環境改善・有効活用計画準備調査	
Drawing Title	Scale: V=1:100 H=None
WWTP HYDRAULIC PROFILE	
下水処理場 水位高低図	Drawing No. 4/30



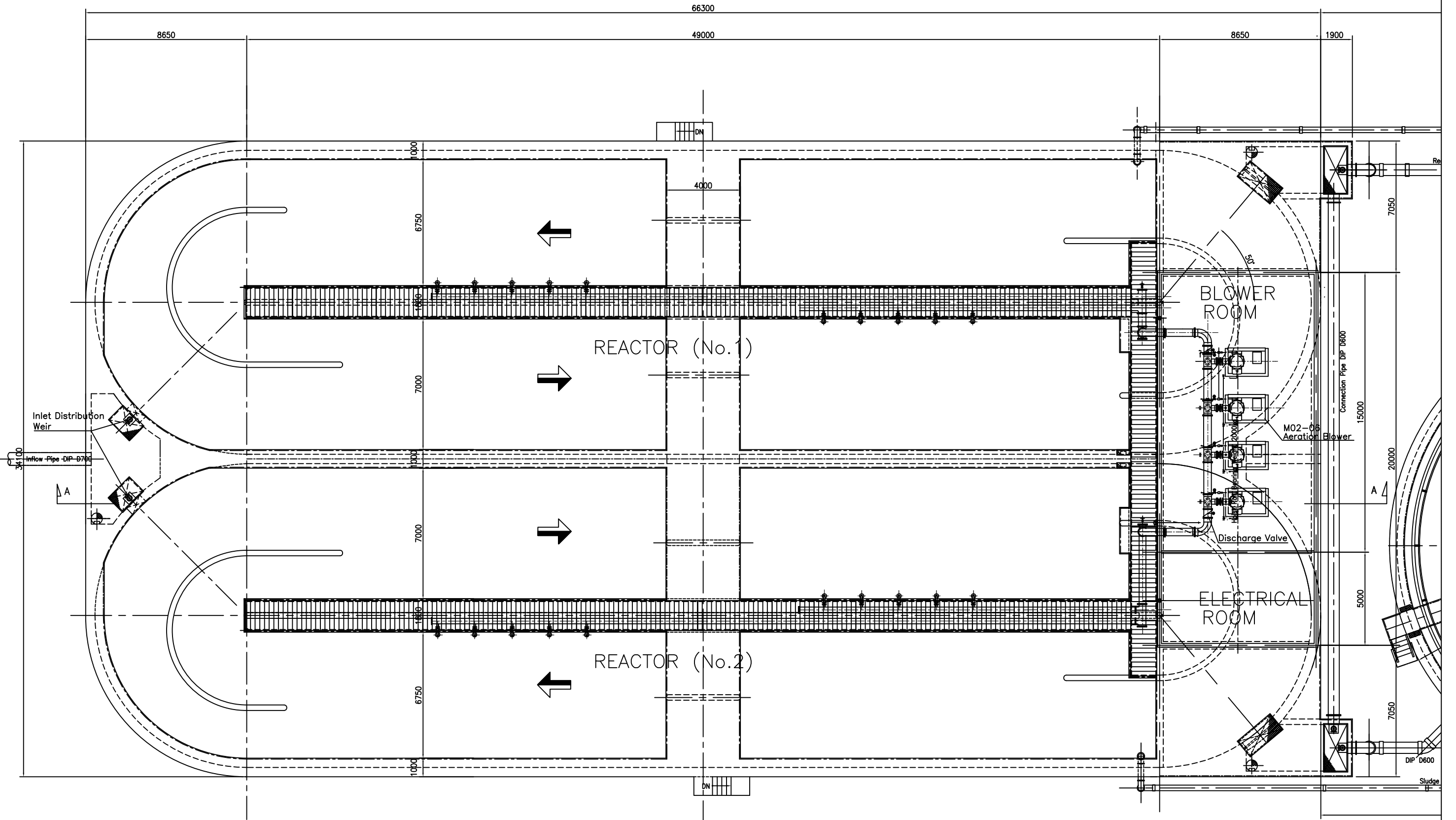
SECTION A-A
SCALE 1:100

WASTE WATER RECEIVING TANK TOP PLAN
SCALE 1:100

Project Name	
THE PREPARATORY SURVEY (BASIC DESIGN) ON THE JERICHO WASTEWATER COLLECTION, TREATMENT SYSTEM AND REUSE PROJECT	
パレスチナ ジェリコ市水環境改善・有効活用計画準備調査	
Drawing Title	
WWTP WASTE WATER RECEIVING TANK PLAN & SECTION	Scale: 1:100
下水処理場 汚水受水槽 平断面図	Drawing No. 5/30

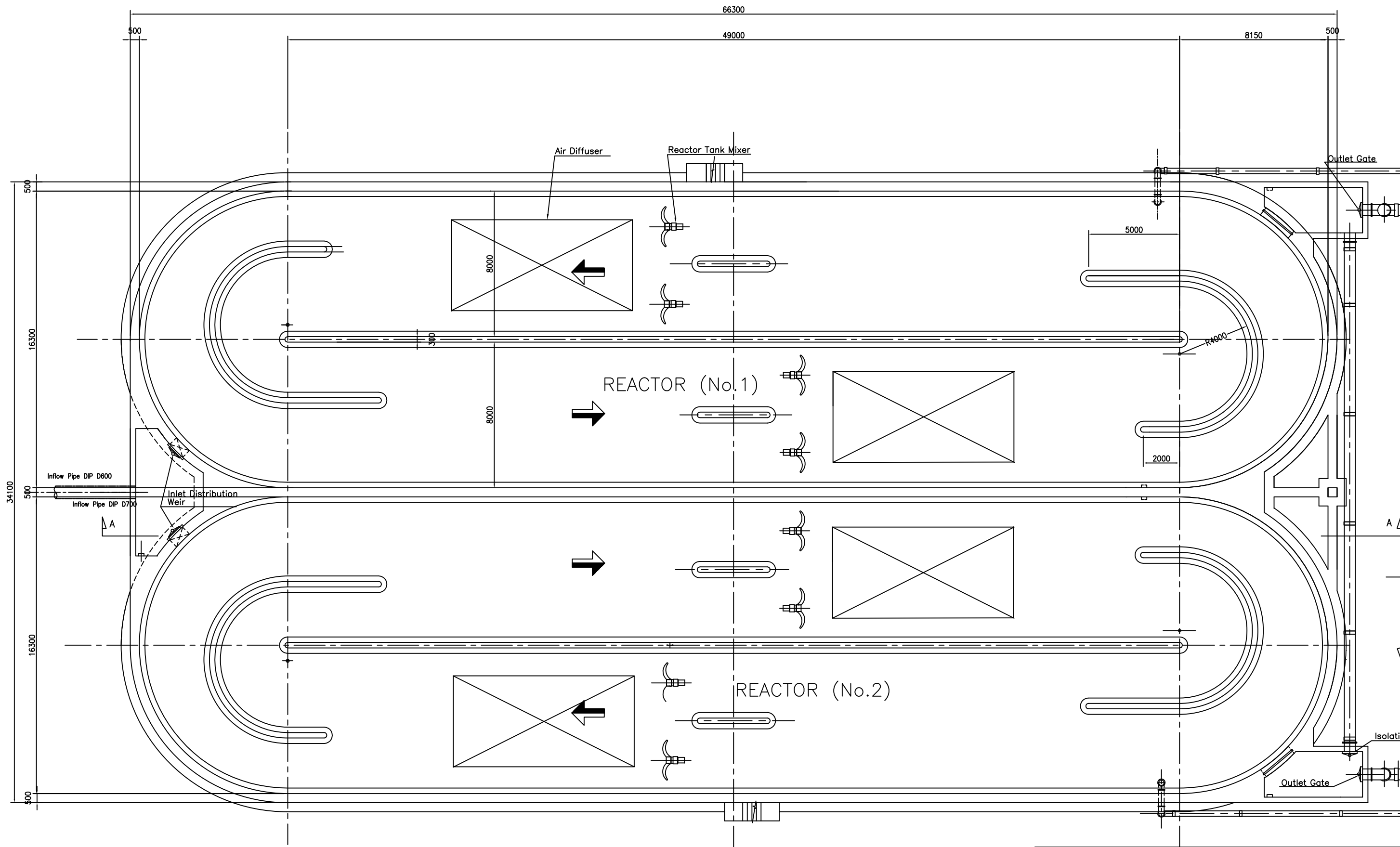


Project Name	
THE PREPARATORY SURVEY (BASIC DESIGN) ON THE JERICHO WASTEWATER COLLECTION, TREATMENT SYSTEM AND REUSE PROJECT	
パレスチナ ジェリコ市水環境改善・有効活用計画準備調査	
Drawing Title	Scale: 1:100
WWTP GRIT CHAMBER PLAN & SECTION	
下水処理場 沈砂池 構造図	Drawing No. 6/30



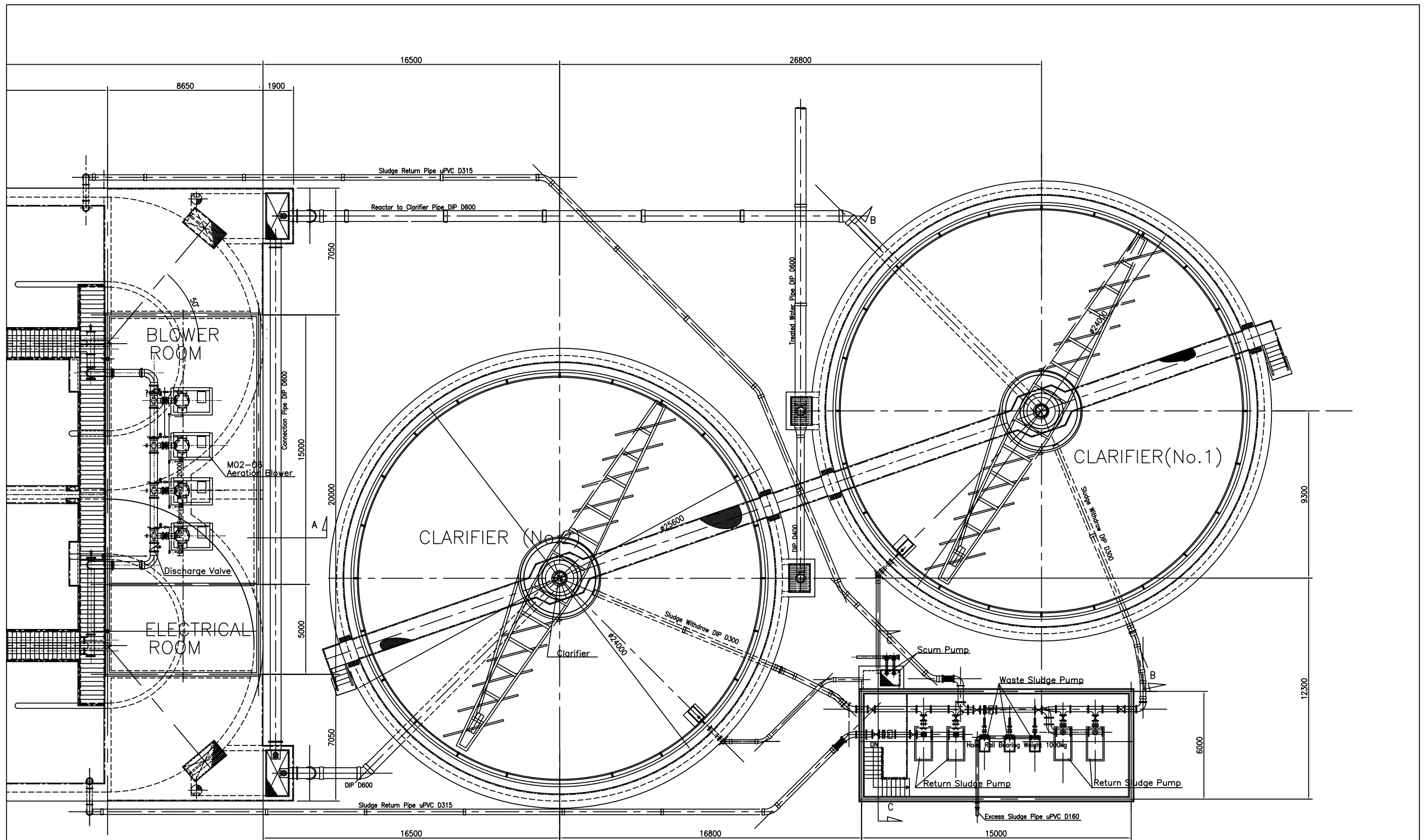
REACTOR TOP PLAN
SCALE 1:100

Project Name	
THE PREPARATORY SURVEY (BASIC DESIGN) ON THE JERICHO WASTEWATER COLLECTION, TREATMENT SYSTEM AND REUSE PROJECT	
パレスチナ ジェリコ市水環境改善・有効活用計画準備調査	
Drawing Title	
WWTP REACTOR TOP PLAN	Scale: 1:100
反応槽上部 平面図	Drawing No. 7/30



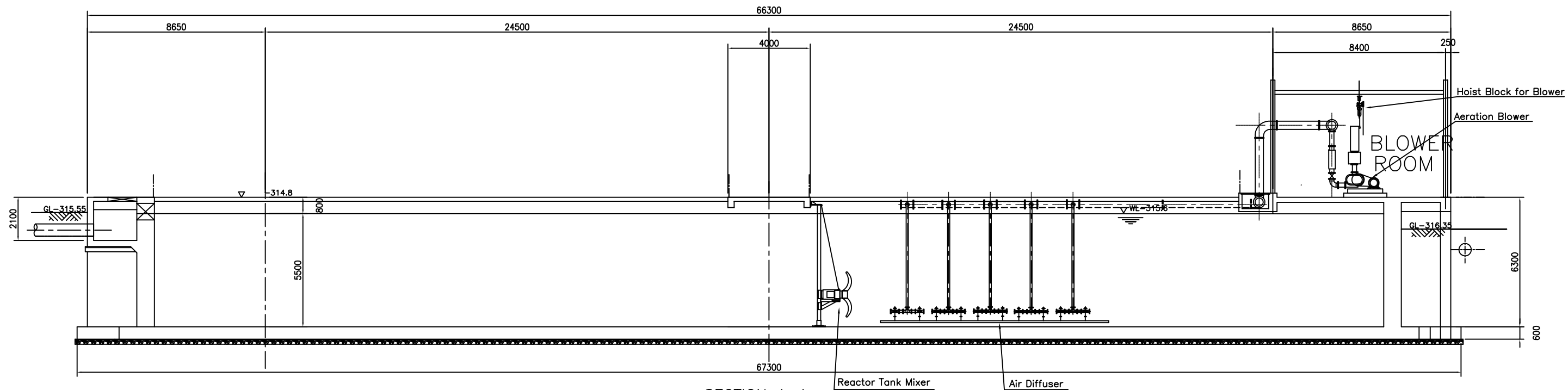
REACTOR BELOW PLAN
SCALE 1:100

Project Name	
THE PREPARATORY SURVEY (BASIC DESIGN) ON THE JERICHO WASTEWATER COLLECTION, TREATMENT SYSTEM AND REUSE PROJECT	
パレスチナ ジェリコ市水環境改善・有効活用計画準備調査	
Drawing Title	
WWTP REACTOR BELOW PLAN	Scale: 1:100
下水処理場 反応槽下部 平面図	Drawing No. 8/30

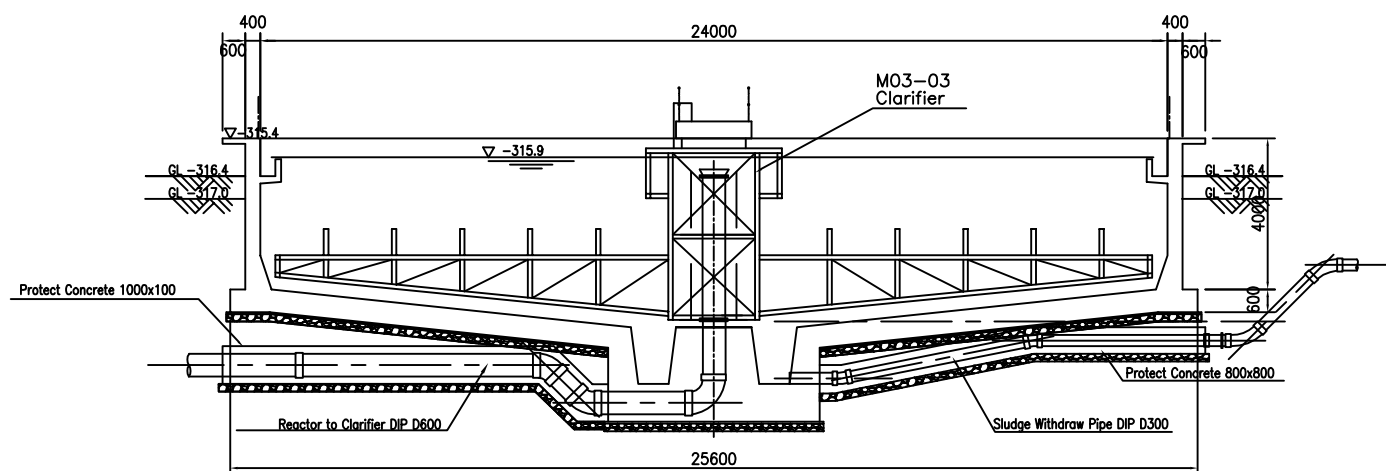


SLUDGE RETURN PUMP BUILDING

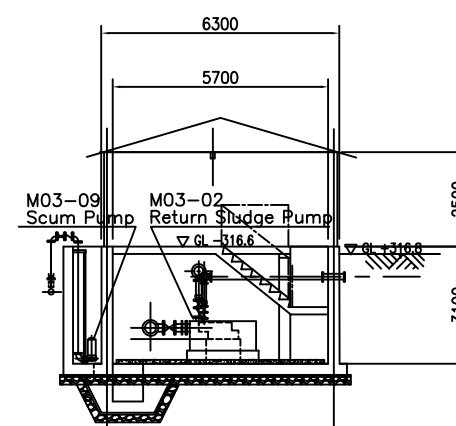
Project Name	
THE PREPARATORY SURVEY (BASIC DESIGN) ON THE JERICHO WASTEWATER COLLECTION, TREATMENT SYSTEM AND REUSE PROJECT	
パレスチナ ジェリコ市水環境改善・有効活用計画準備調査	
Drawing Title	
WWTP CLARIFIER PLAN	Scale: 1:100
下水処理場 沈殿池 平面図	Drawing No. 9/30



SECTION A-A
SCALE 1:100

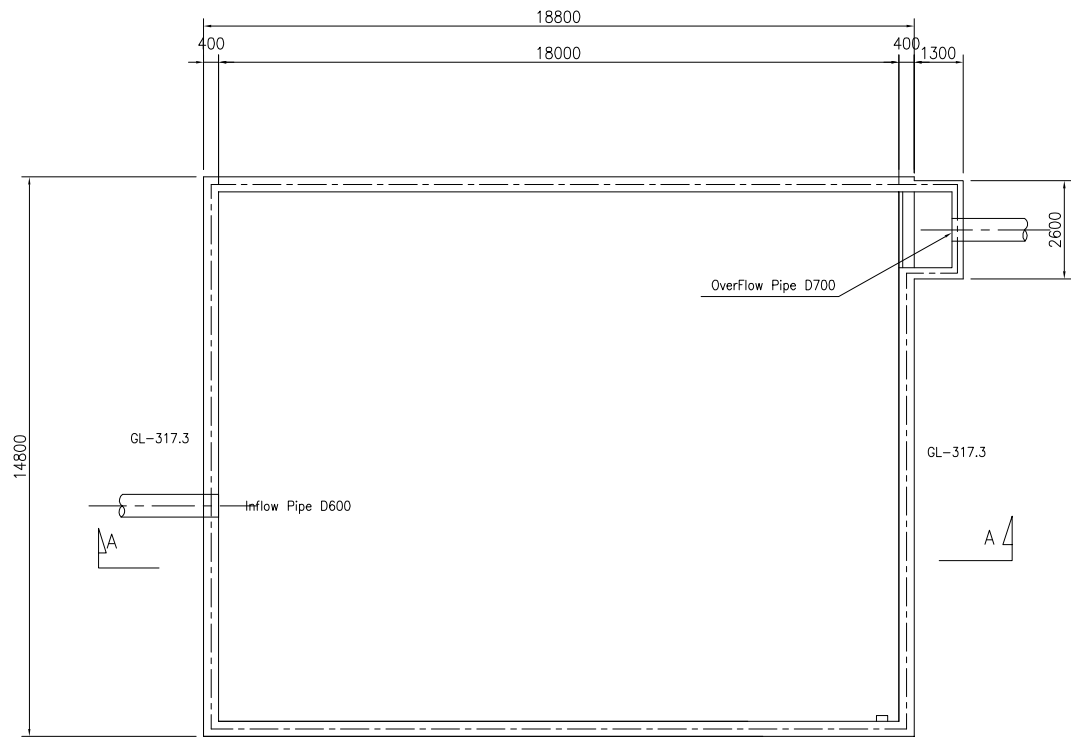


SECTION B-B
SCALE 1:100

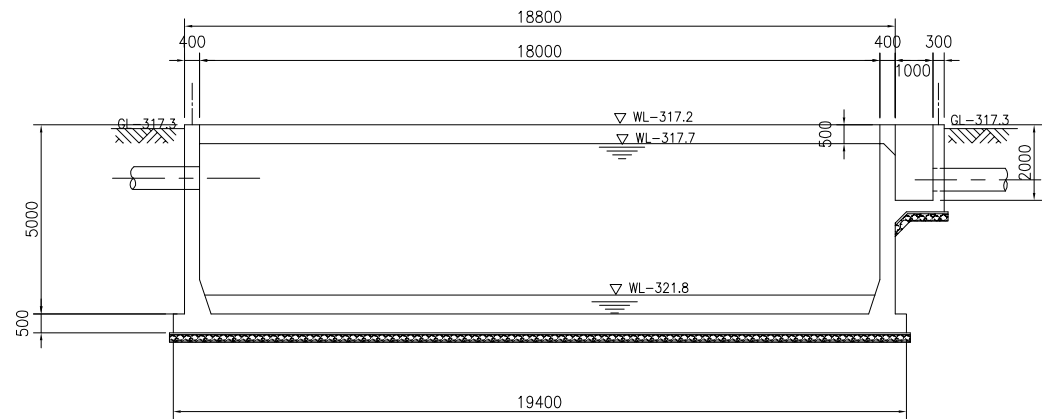


SECTION C-C
SCALE 1:100

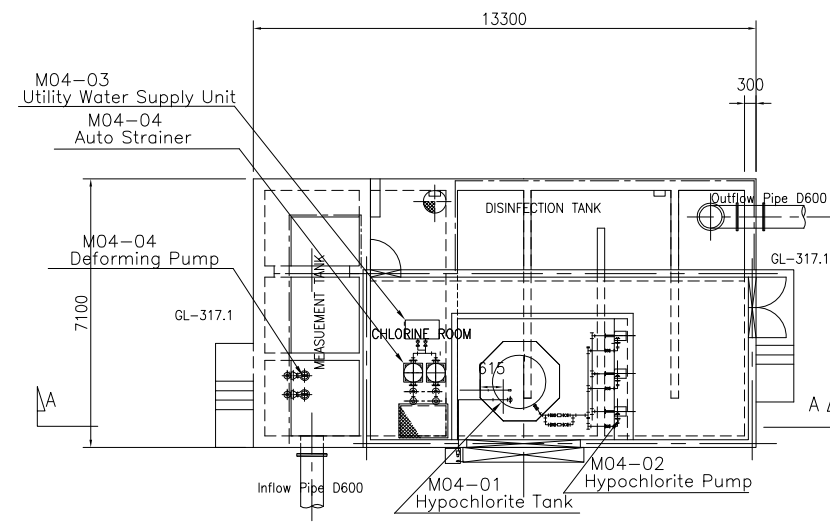
Project Name	
THE PREPARATORY SURVEY (BASIC DESIGN) ON THE JERICHO WASTEWATER COLLECTION, TREATMENT SYSTEM AND REUSE PROJECT	
パレスチナ ジェリコ市水環境改善・有効活用計画準備調査	
Drawing Title	
WWTP REACTOR/CLARIFIER SECTION	Scale: 1:100
下水処理場 反応槽/沈殿池 断面図	Drawing No. 10/30



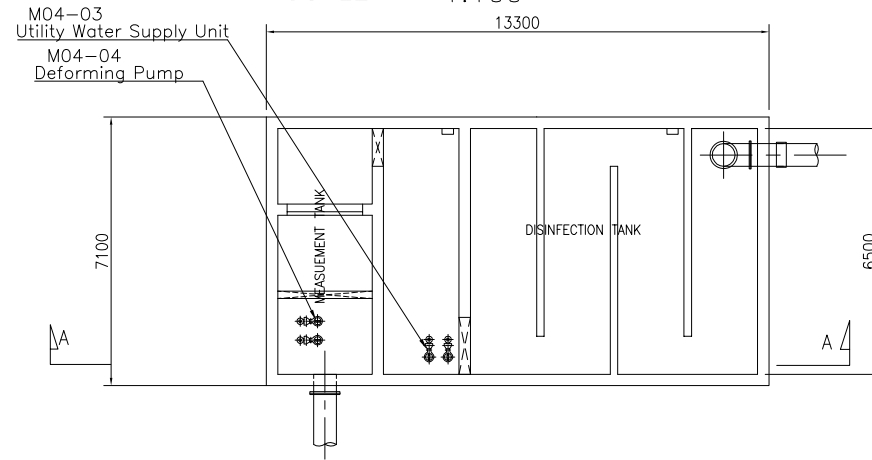
IRRIGATION TANK PLAN
SCALE 1:100



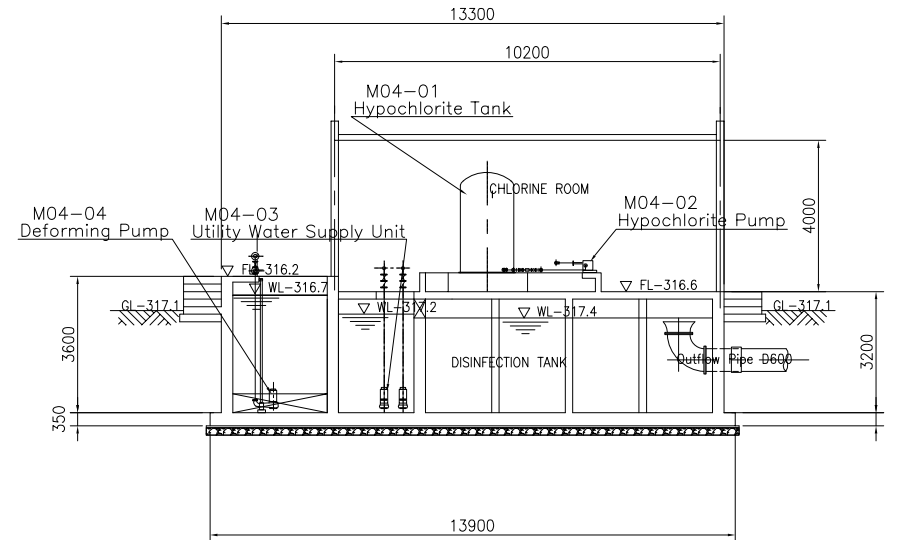
SECTION A-A
SCALE 1:100



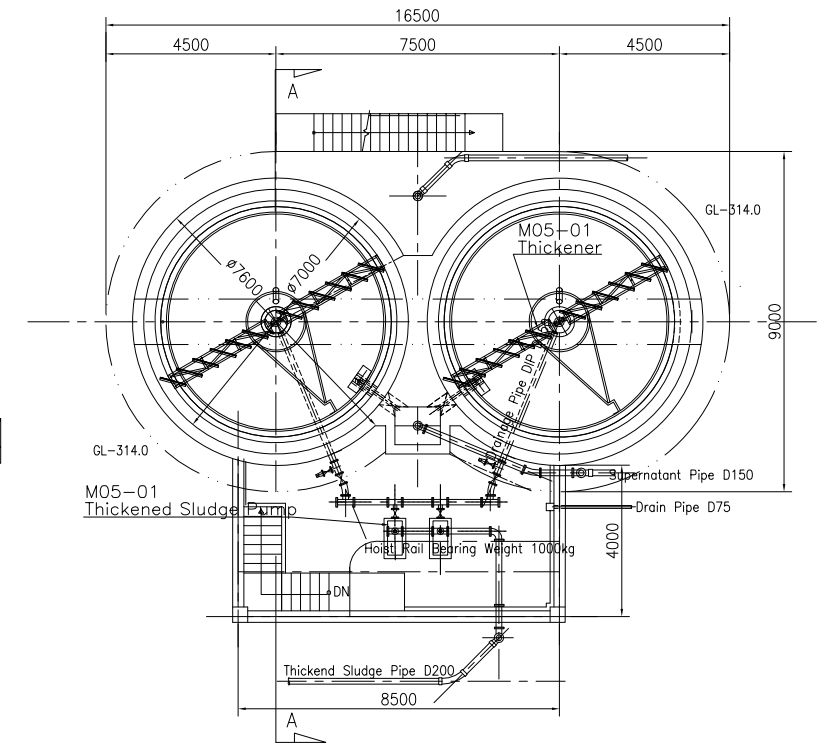
DISINFECTION TANK TOP PLAN
SCALE 1:100



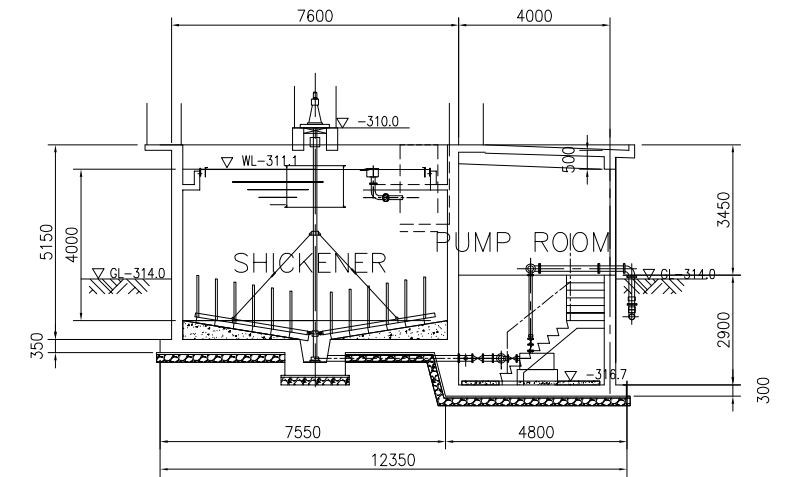
DISINFECTION TANK BELOW PLAN
SCALE 1:100



SECTION A-A
SCALE 1:100

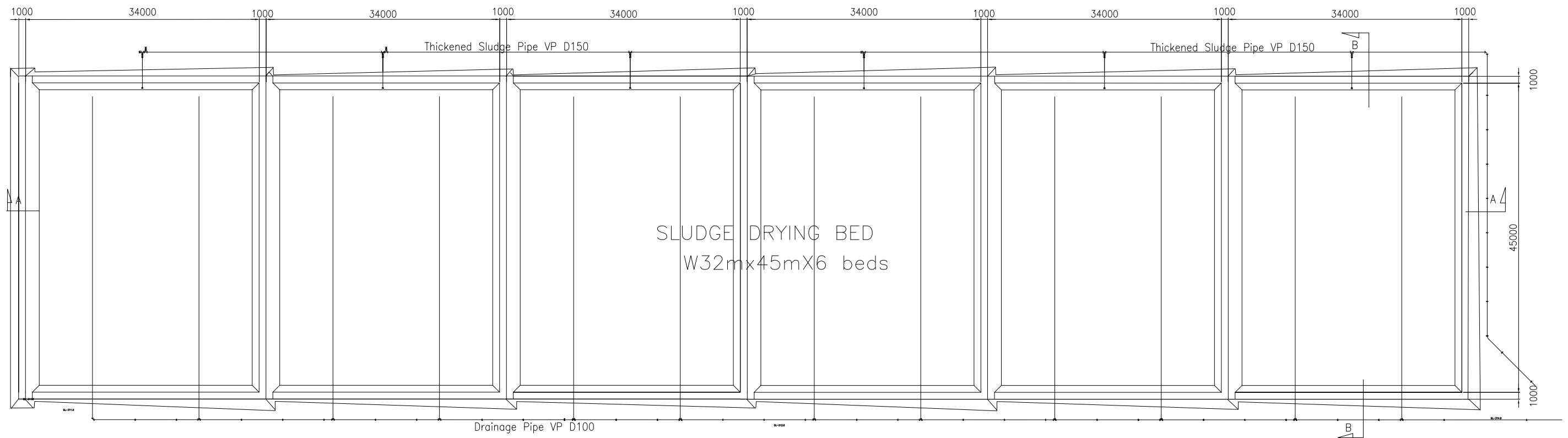


SLUDGE THICKENER PLAN
SCALE 1:100

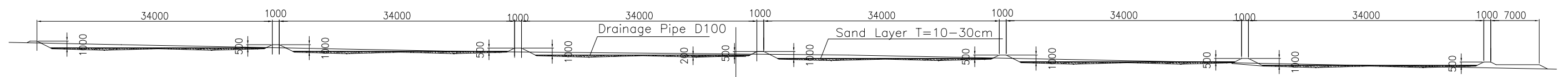


SECTION A-A
SCALE 1:100

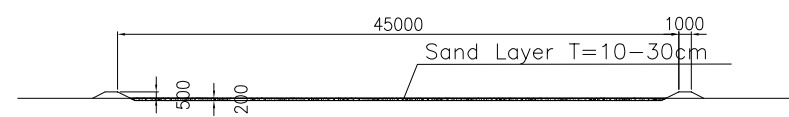
Project Name	
THE PREPARATORY SURVEY (BASIC DESIGN) ON THE JERICHO WASTEWATER COLLECTION, TREATMENT SYSTEM AND REUSE PROJECT	
パレスチナ ジェリコ市水環境改善・有効活用計画準備調査	
Drawing Title	Scale: 1:100
WWTP DISINFECTION TANK/IRRIGATION TANK/ SLUDGE THICKENER PLAN & SECTION	Drawing No. 11/30
下水処理場 塩素滅菌槽/灌漑水槽/汚泥濃縮 平断面図	



SLUDGE DRYING BED PLAN

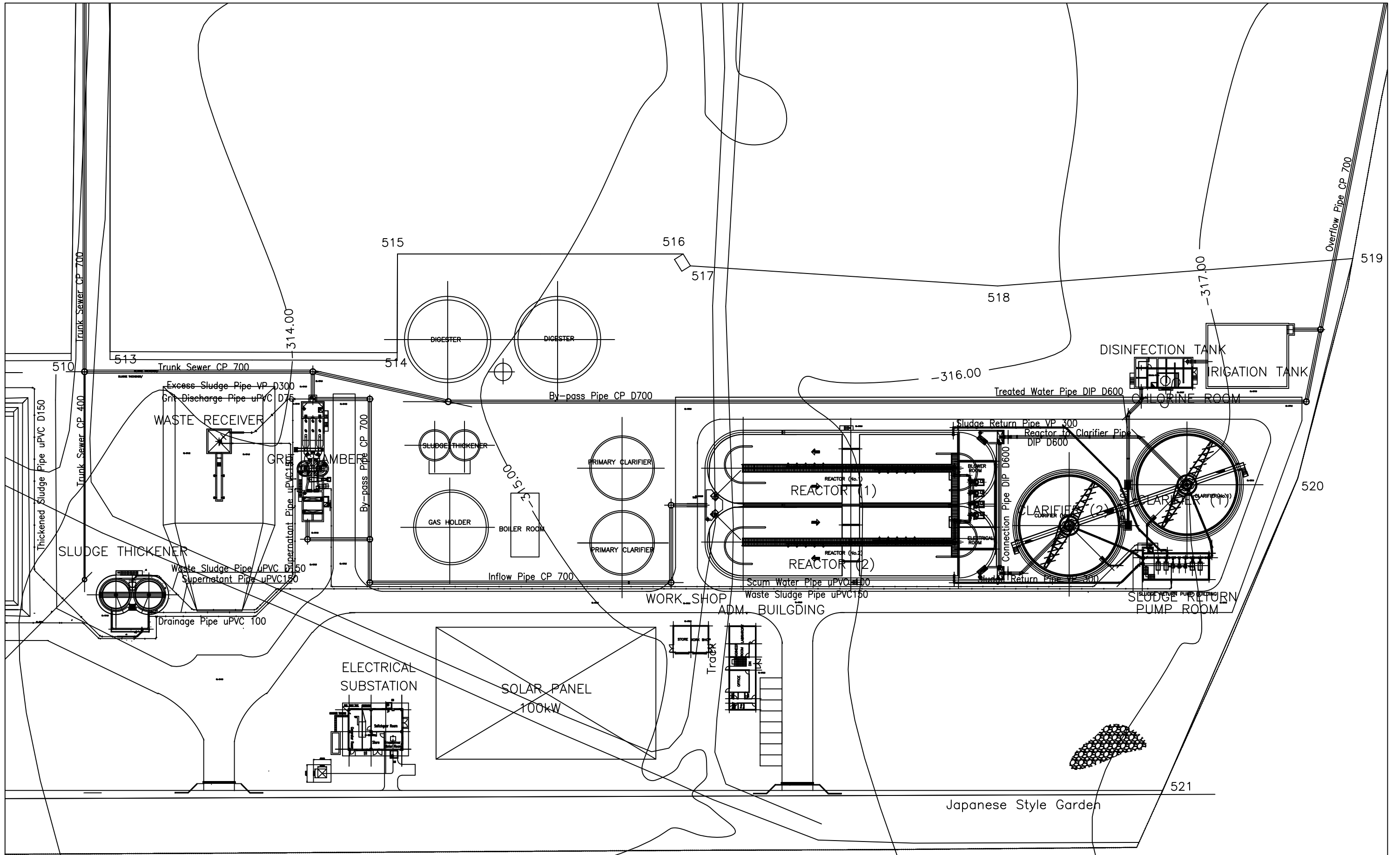


A-A SECTION

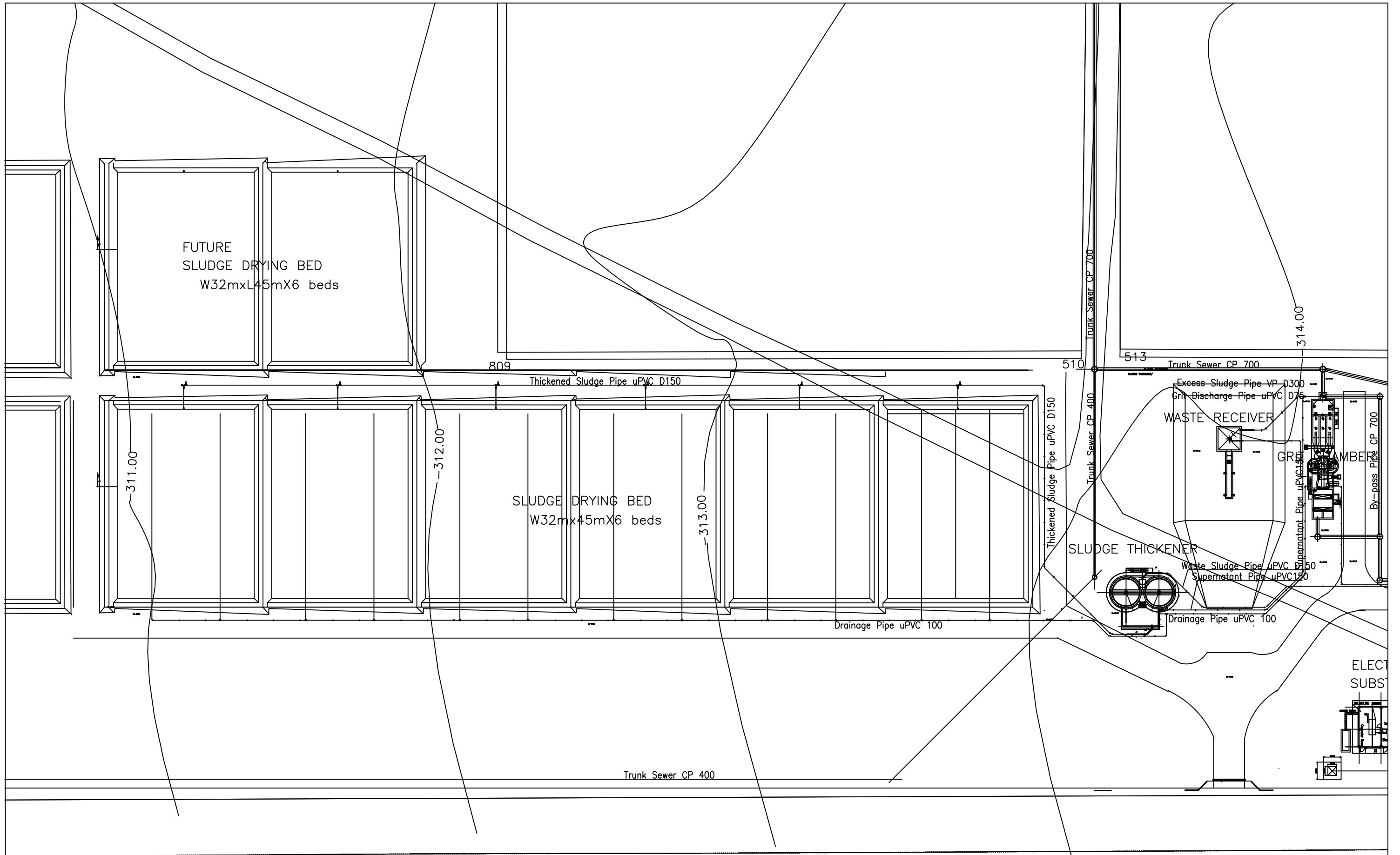


B-B SECTION

Project Name	
THE PREPARATORY SURVEY (BASIC DESIGN) ON THE JERICHO WASTEWATER COLLECTION, TREATMENT SYSTEM AND REUSE PROJECT	
パレスチナ ジェリコ市水環境改善・有効活用計画準備調査	
Drawing Title	
WWTP SLUDGE DRYING BED PLAN & SECTION	
Scale:	1:300
Drawing No.	12/30
下水処理場 天日乾燥床 平断面図	

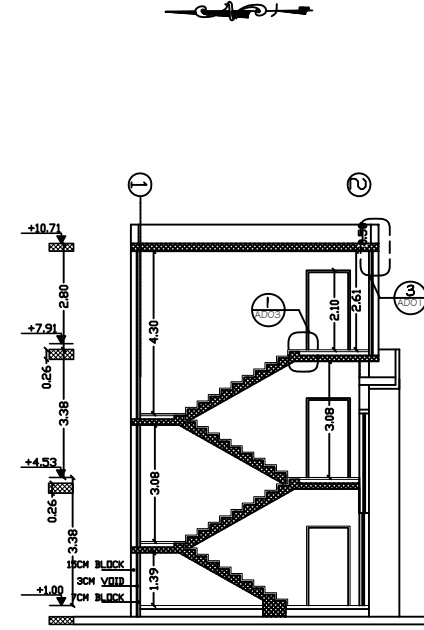
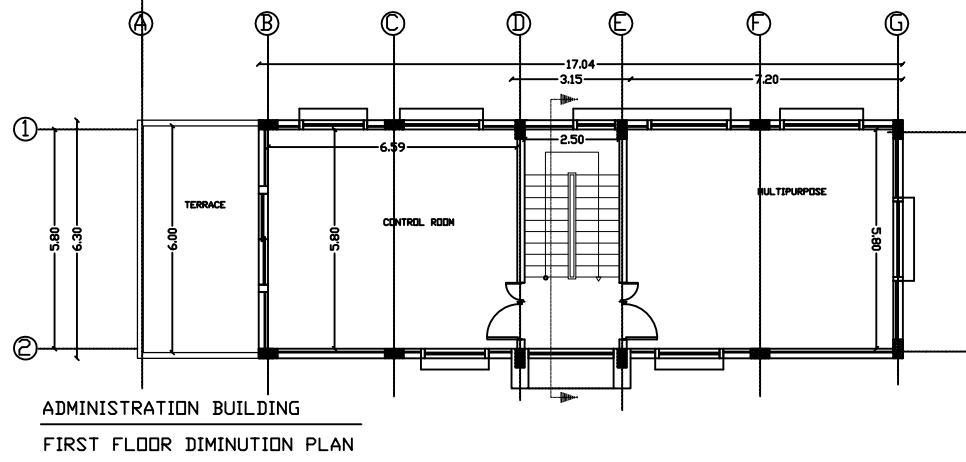
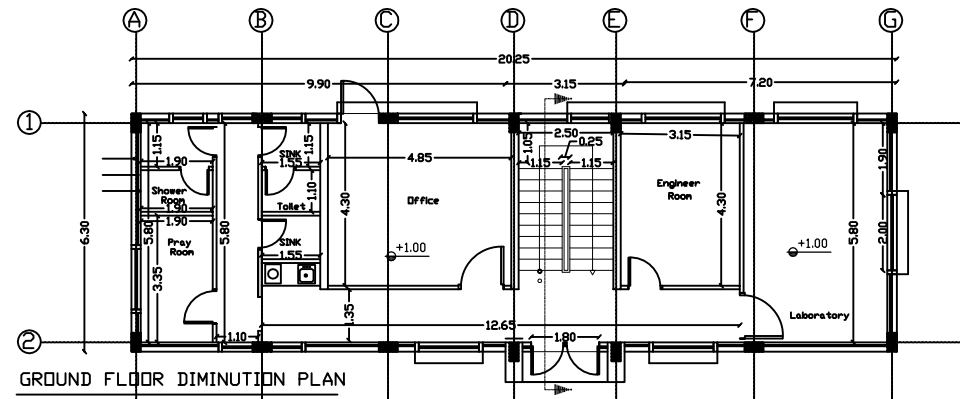


Project Name	
THE PREPARATORY SURVEY (BASIC DESIGN) ON THE JERICHO WASTEWATER COLLECTION, TREATMENT SYSTEM AND REUSE PROJECT	
パレスチナ ジェリコ市水環境改善・有効活用計画準備調査	
Drawing Title	Scale: 1:400
WWTP PIPE LAYOUT PLAN (1)	
下水処理場 場内配管図 (東側)	Drawing No. 13/30

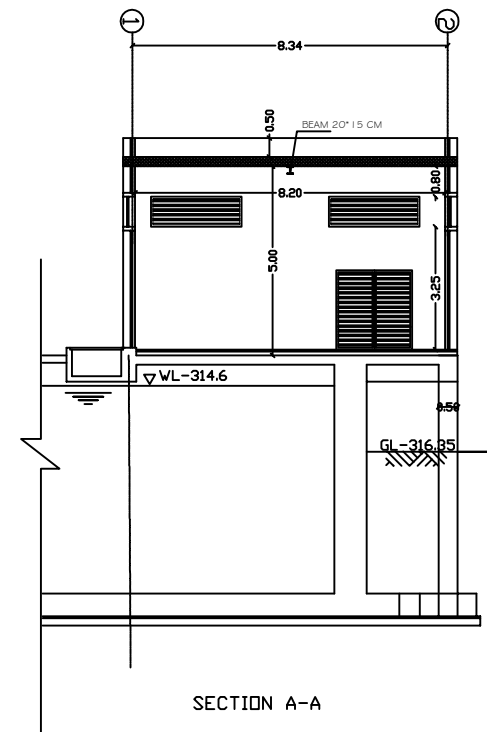
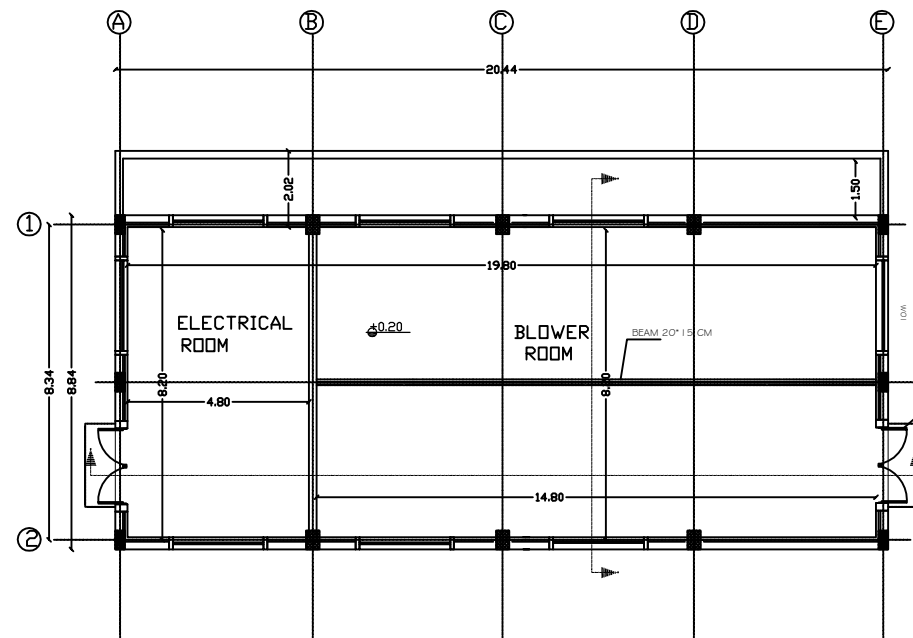


FENCE

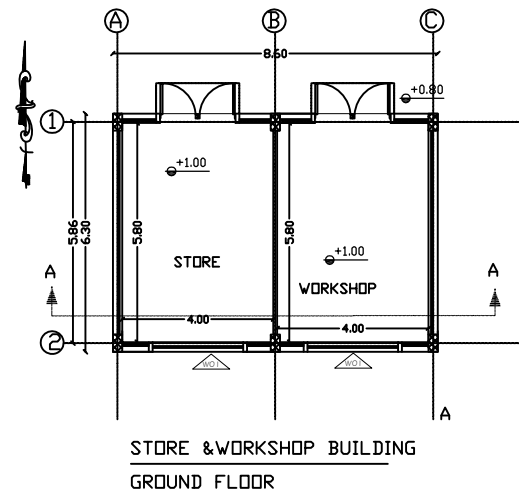
Project Name THE PREPARATORY SURVEY (BASIC DESIGN) ON THE JERICHO WASTEWATER COLLECTION, TREATMENT SYSTEM AND REUSE PROJECT فلسطينا جेरिकو市水環境改善・有効活用計画準備調査	
Drawing Title WWTP PIPE LAYOUT PLAN (2) 下水処理場 場内配管図 (西側)	Scale: 1 : 400 Drawing No. 14/30



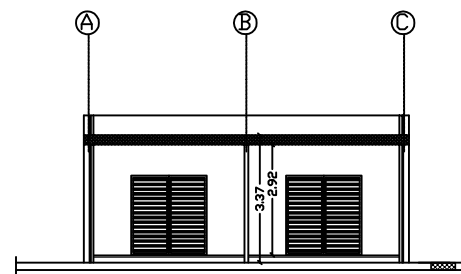
* NOTE ±0.00 = -314



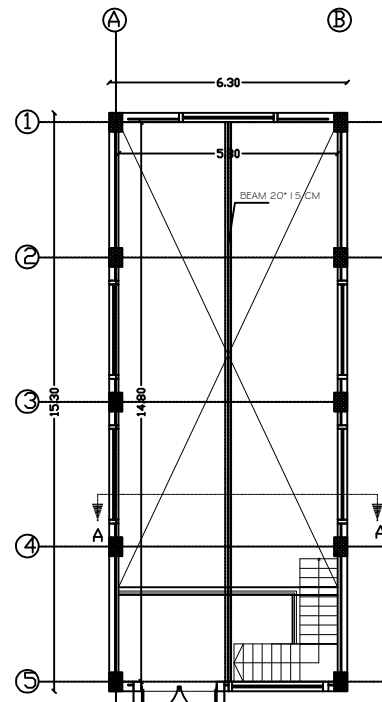
Project Name THE PREPARATORY SURVEY (BASIC DESIGN) ON THE JERICHO WASTEWATER COLLECTION, TREATMENT SYSTEM AND REUSE PROJECT	
パレスチナ ジェリコ市水環境改善・有効活用計画準備調査	
Drawing Title WWTP BUILDINGS PLAN & SECTION	Scale 1:100
下水処理場 建築構造物 平断面図 (1)	Drawing No. 15/30



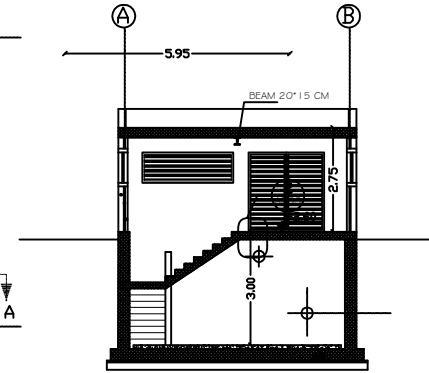
STORE & WORKSHOP BUILDING
GROUND FLOOR



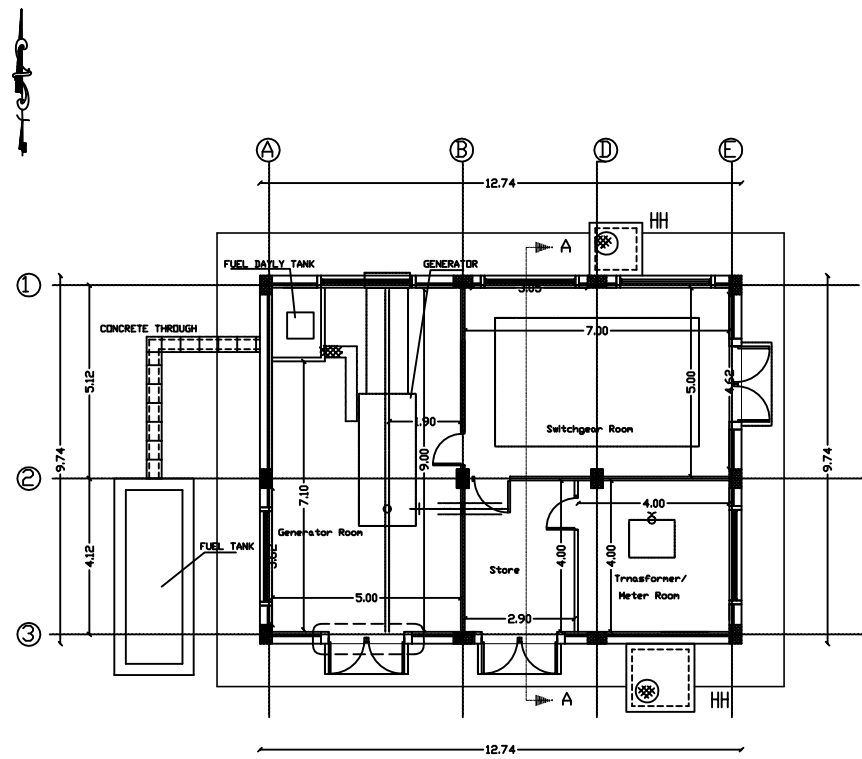
SECTION A-A



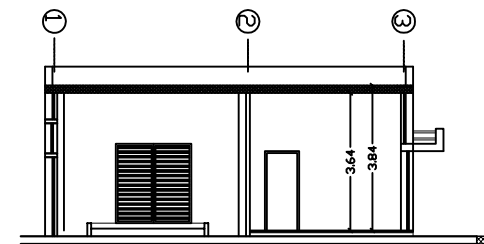
SLUDGE RETURN
PUMP BUILDING



SECTION A-A



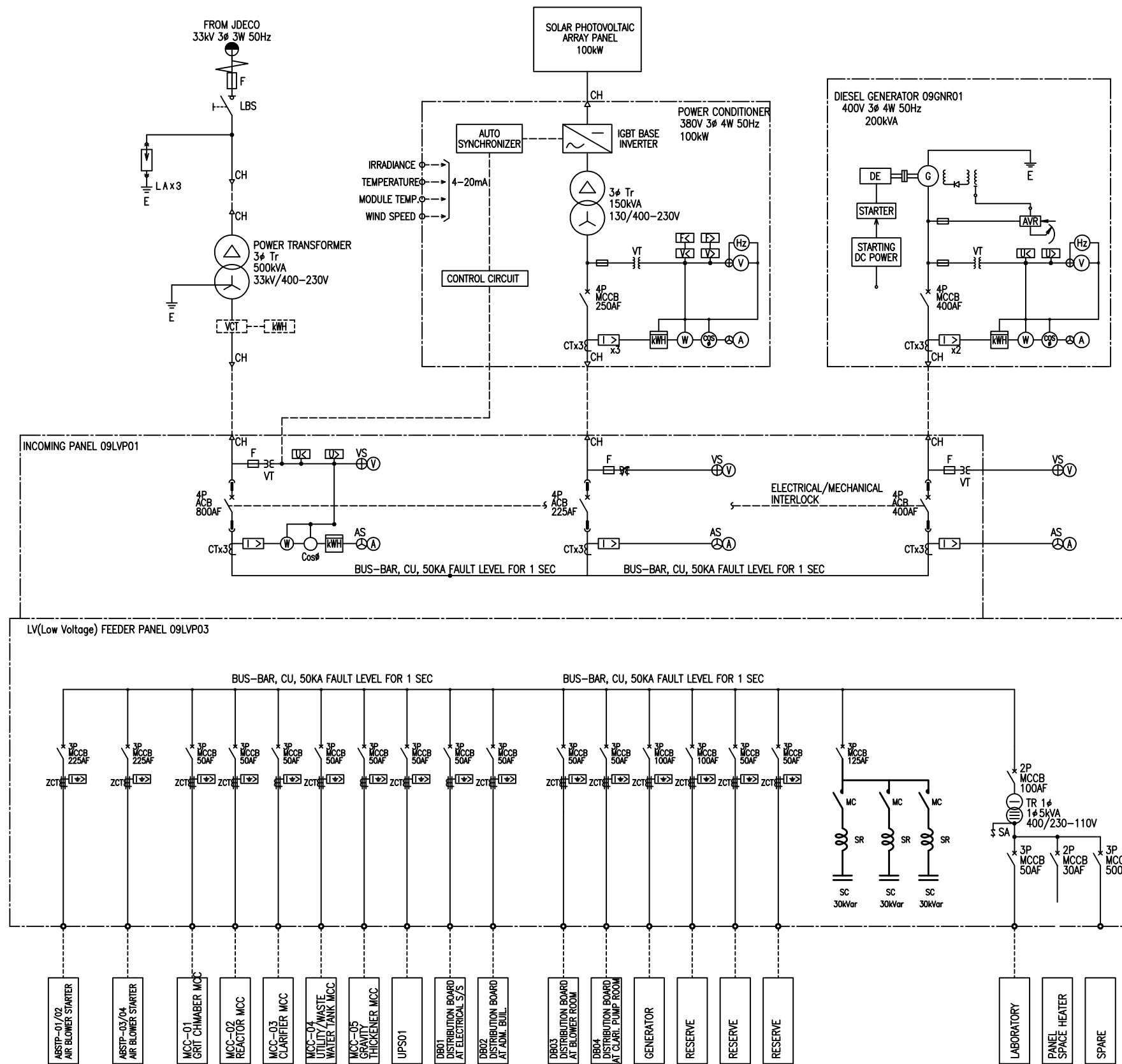
POWER RECEIVING BUILDING



SECTION A-A

* NOTE ±0.00 = -314

Project Name THE PREPARATORY SURVEY (BASIC DESIGN) ON THE JERICHO WASTEWATER COLLECTION, TREATMENT SYSTEM AND REUSE PROJECT	
パレスチナ ジェリコ市水環境改善・有効活用計画準備調査	
Drawing Title WWTP BUILDINGS PLAN & SECTION	Scale: 1:100
下水処理場 建築構造物 平断面図 (2)	Drawing No. 16/30



SYMBOL	DESCRIPTION	SYMBOL	DESCRIPTION
A	AMMETER	THR	THERMAL RELAY
AS	AMMETER SWITCH	V	VOLTMETER
AVR	AUTOMATIC VOLTAGE REGULATOR	VS	VOLTMETER SWITCH
CH	CABLE HEAD	VT	VOLTAGE TRANSFORMER
Cos#	POWER FACTOR METER	W	WATT METER
CT	CURRENT TRANSFORMER	WL	WHITE LAMP
DE	DIESEL ENGINE	ZCT	ZERO PHASE CURRENT TRANSFORMER
E	EARTH	3E	3E RELAY
ELCB	EARTH LEAKAGE CIRCUIT BREAKER	[I>]	AC TIME OVER CURRENT RELAY
F	FUSE	[I<]	GROUND FAULT RELAY
G	GENERATOR	[V<]	UNDER VOLTAGE RELAY
Hz	FREQUENCY METER	[V>]	OVER VOLTAGE RELAY
kWh	KILO WATT HOUR METER	[F<]	UNDER FREQUENCY RELAY
LA	LIGHTNING ARRESTER	[F>]	OVER FREQUENCY RELAY
LBS	LOAD BREAK SWITCHES		
M	MOTOR		
MC	ELECTROMAGNETIC CONTACTOR		
MCCB	MOLDED CASE CIRCUIT BREAKER		

Project Name
THE PREPARATORY SURVEY (BASIC DESIGN) ON THE JERICHO WASTEWATER COLLECTION, TREATMENT SYSTEM AND REUSE PROJECT
 پالستينا جेरليكو市水環境改善・有効活用計画準備調査

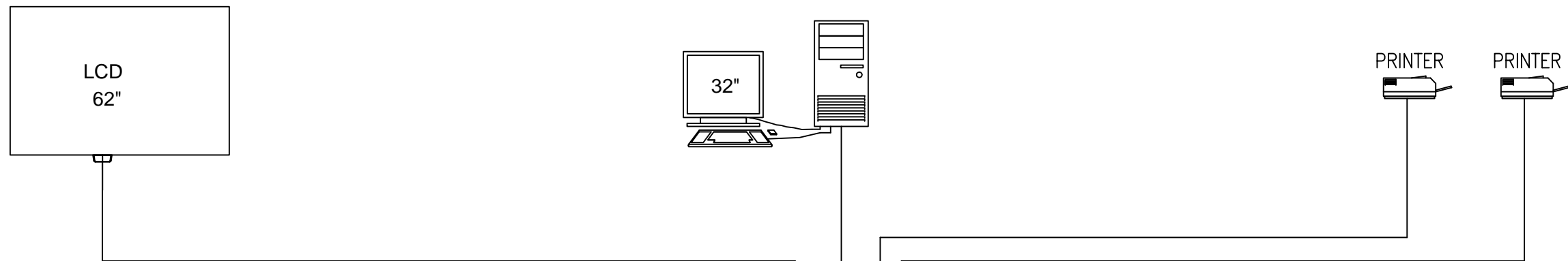
Drawing Title
WWTP SINGLE LINE DIAGRAM
 下水処理場 単線結線図

Scale: None

Drawing No. 17/30

SCADA ROOM (ADMINISTRATION BUILDING)

OPERATOR STATION



MANAGED
ETHERNET SWITCH

HOT STANDBY PLC

Process LAN over TCP/IP Ethernet



REMOTE I/O
AT BLOWER HOSE
ELECTRICAL ROOM

REMOTE I/O
AT ELECTRICAL
SUBSTATION

Field
Transmitters/Sensors

M C C

LOB

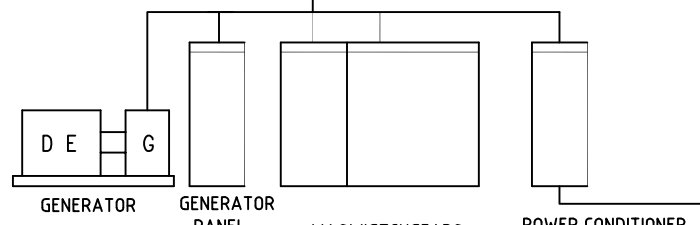
Motor

Field
Transmitters/Sensors

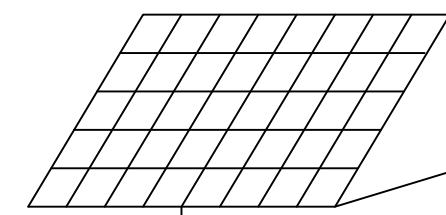
M C C

LOB

Motor



GENERATOR
GENERATOR
PANEL
LV SWITCHGEARS
ELECTRICAL SUBSTATION



PHOTOVOLTAIC CELL
PANEL

POWER CONDITIONER
FOR SOLAR PANEL

Project Name
**THE PREPARATORY SURVEY (BASIC DESIGN) ON THE
JERICHO WASTEWATER COLLECTION, TREATMENT
SYSTEM AND REUSE PROJECT**
パレスチナ ジェリコ市水環境改善・有効活用計画準備調査

Drawing Title
WWTP SCADA SYSTEM DIAGRAM
下水処理場 SCADA システム

Scale: None
Drawing No. 18/30