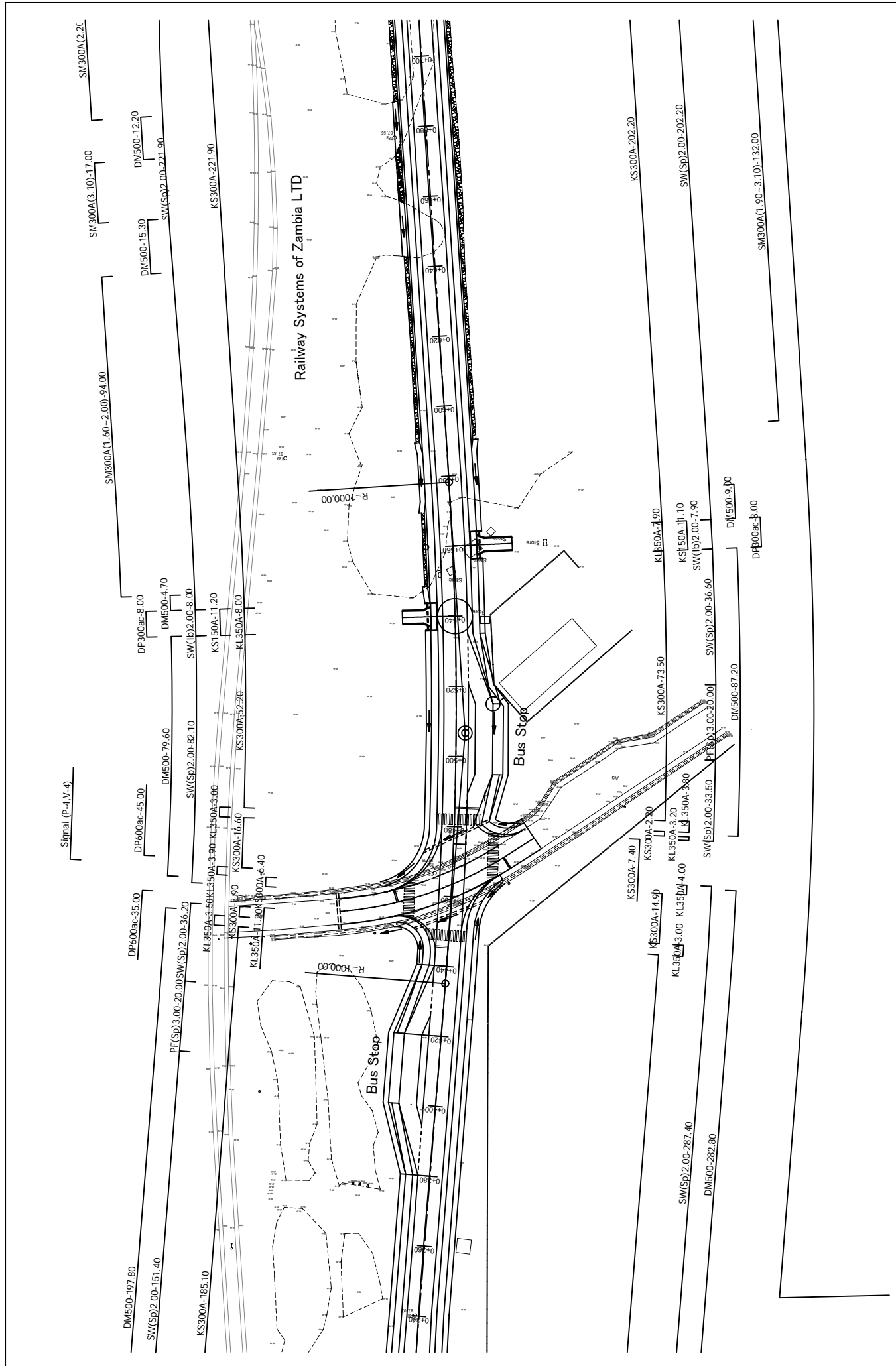
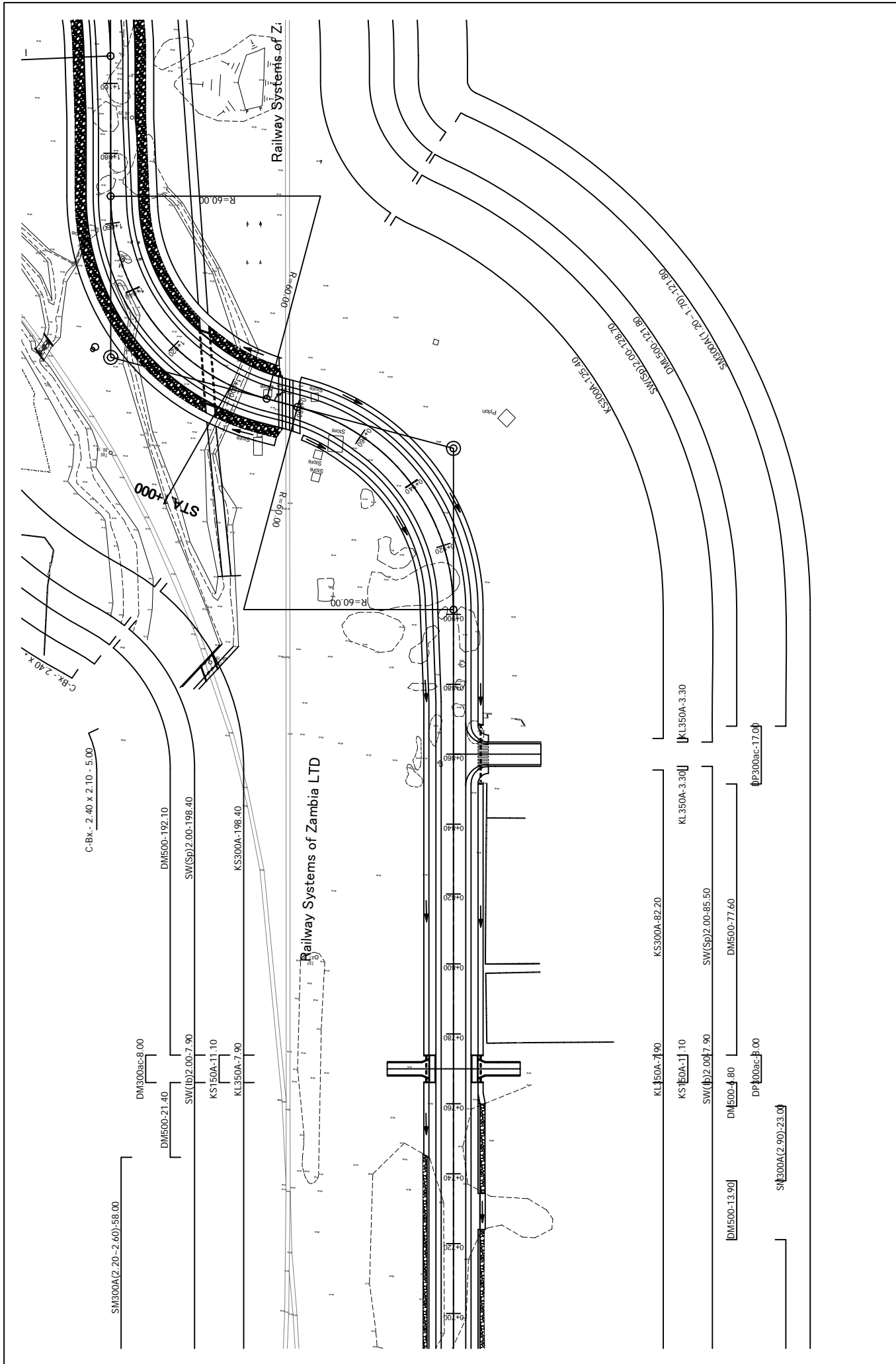


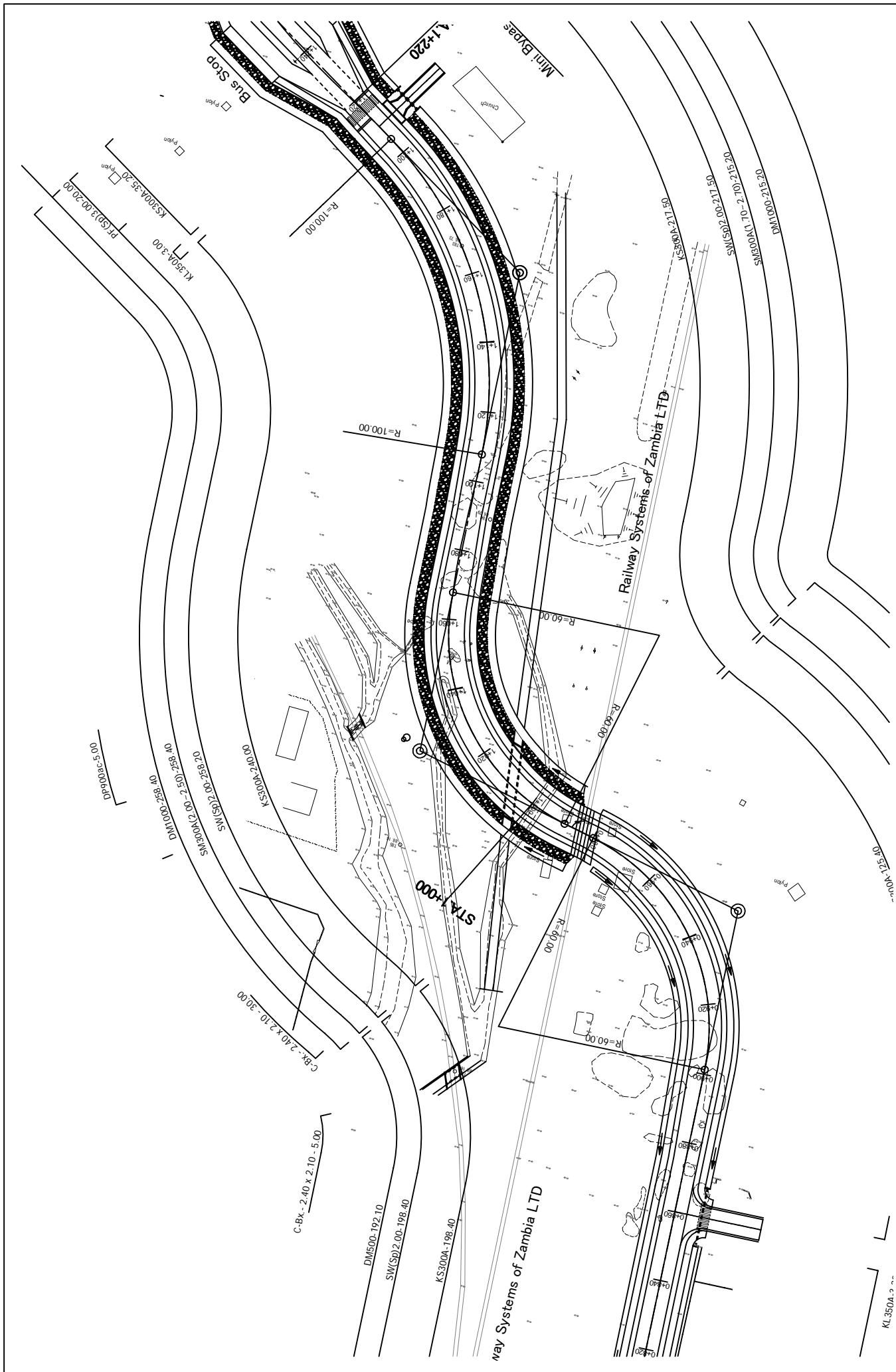
MINISTRY OF LOCAL GOVERNMENT AND HOUSING LUSAKA CITY COUNCIL	JAPAN INTERNATIONAL COOPERATION AGENCY KATAHIRA & ENGINEERS INTERNATIONAL	THE PREPARATORY SURVEY ON THE PROJECT FOR THE IMPROVEMENT OF THE LIVING ENVIRONMENT IN THE SOUTHERN AREA OF LUSAKA IN THE REPUBLIC OF ZAMBIA	TITLE: PLAN MINI BYPASS LINK - INNER RING RD - KASAMA RD -MOSI-OA-TUNYA JCT.-L-S-WFEZ (STA. 0+180 - STA. 0+360)	Drawing No. PL-102
				SCALE 1/1000
			DATE	Jan. 2011



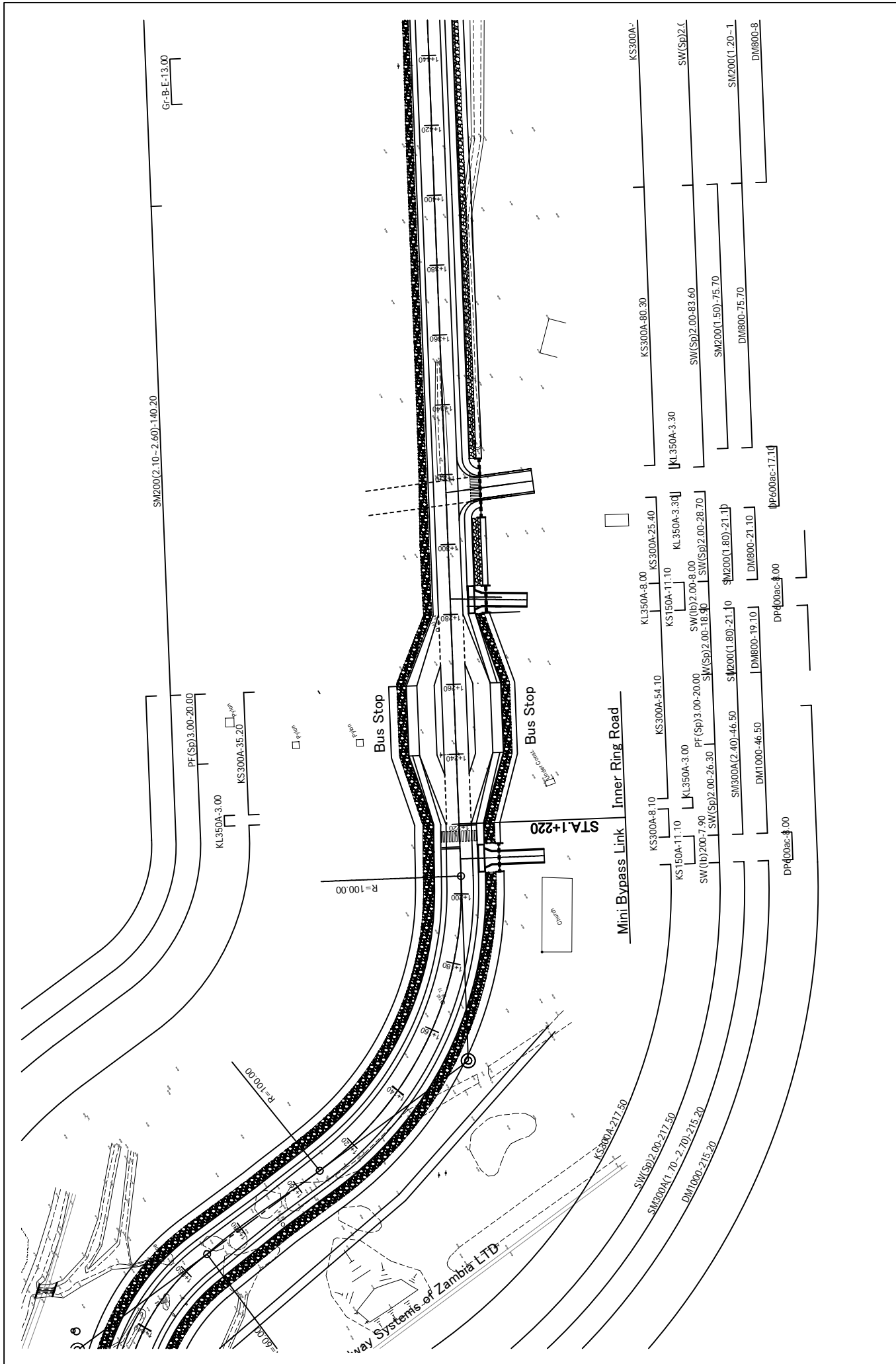
MINISTRY OF LOCAL GOVERNMENT AND HOUSING LUSAKA CITY COUNCIL	JAPAN INTERNATIONAL COOPERATION AGENCY KATAHIRA & ENGINEERS INTERNATIONAL	THE PREPARATORY SURVEY ON THE PROJECT FOR THE IMPROVEMENT OF THE LIVING ENVIRONMENT IN THE SOUTHERN AREA OF LUSAKA IN THE REPUBLIC OF ZAMBIA		Drawing No.	PL-103
		TITLE: MINI BYPASS LINK - INNER RING RD - KASAMA RD -MOSI-OA-TUNYA JCT.-L-S-WFEZ (STA. 0+360 - STA. 0+700)		SCALE	1/1000
				DATE	Jan. 2011



MINISTRY OF LOCAL GOVERNMENT AND HOUSING LUSAKA CITY COUNCIL	JAPAN INTERNATIONAL COOPERATION AGENCY KATAHIRA & ENGINEERS INTERNATIONAL	THE PREPARATORY SURVEY ON THE PROJECT FOR THE IMPROVEMENT OF THE LIVING ENVIRONMENT IN THE SOUTHERN AREA OF LUSAKA IN THE REPUBLIC OF ZAMBIA	TITLE: PLAN MINI BYPASS LINK - INNER RING RD - KASAMA RD -MOSI-OA-TUNYA JCT.-L-S-WFEZ (STA. 0+700 - STA. 1+000)	Drawing No. PL-104 SCALE 1/1000 DATE Jan. 2011
--	--	---	---	--

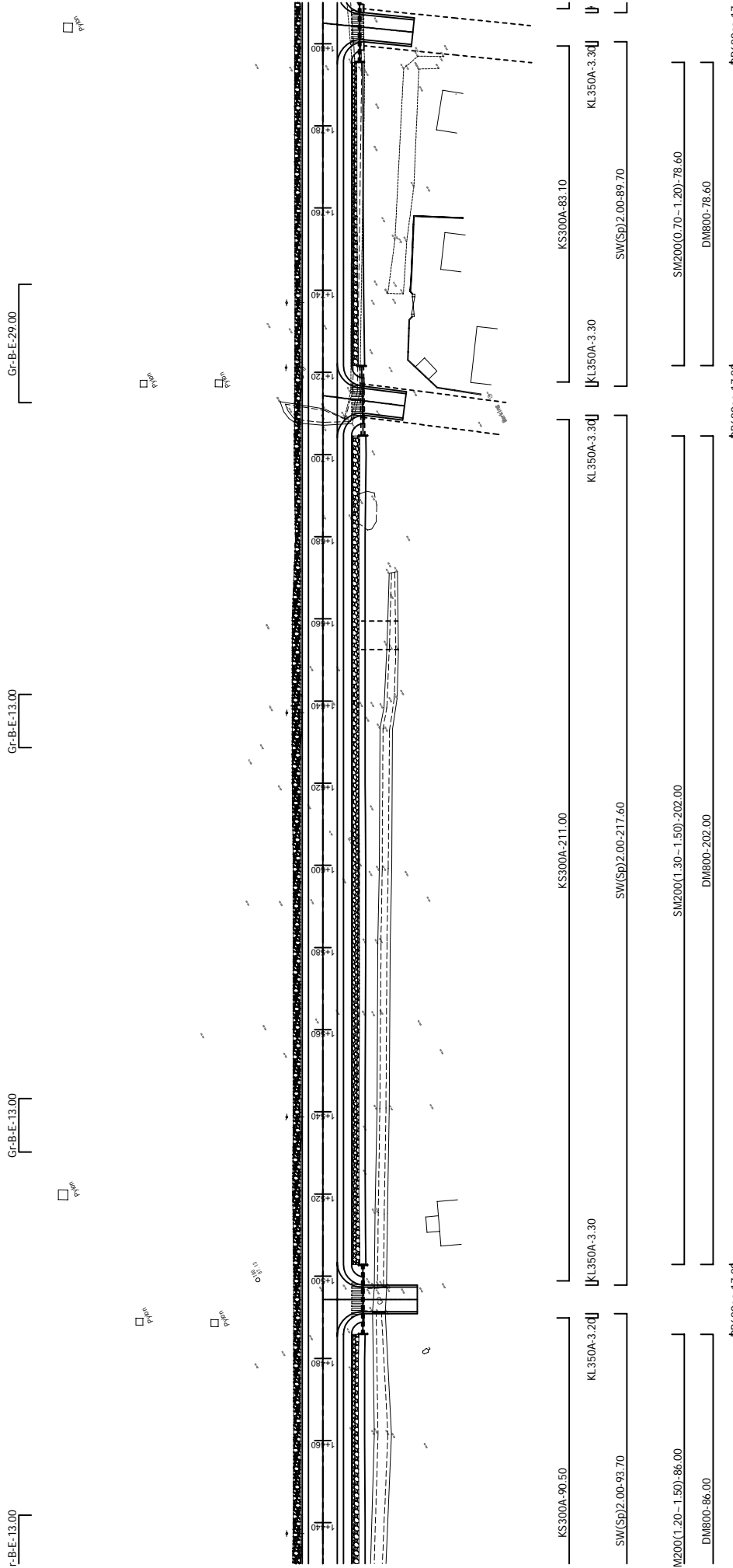


MINISTRY OF LOCAL GOVERNMENT AND HOUSING LUSAKA CITY COUNCIL	JAPAN INTERNATIONAL COOPERATION AGENCY KATAHIRA & ENGINEERS INTERNATIONAL	THE PREPARATORY SURVEY ON THE PROJECT FOR THE IMPROVEMENT OF THE LIVING ENVIRONMENT IN THE SOUTHERN AREA OF LUSAKA IN THE REPUBLIC OF ZAMBIA	TITLE: PLAN MINI BYPASS LINK - INNER RING RD - KASAMA RD - MOSI-OA-TUNYA JCT. - L-S-WFEZ (STA. 1+000 - STA. 1+160)	Drawing No. PL-105 SCALE 1/1000 DATE Jan. 2011
--	--	---	--	--



MINISTRY OF LOCAL GOVERNMENT AND HOUSING LUSAKA CITY COUNCIL	JAPAN INTERNATIONAL COOPERATION AGENCY KATAHIRA & ENGINEERS INTERNATIONAL	THE PREPARATORY SURVEY ON THE PROJECT FOR THE IMPROVEMENT OF THE LIVING ENVIRONMENT IN THE SOUTHERN AREA OF LUSAKA IN THE REPUBLIC OF ZAMBIA	TITLE: PLAN MINI BYPASS LINK - INNER RING RD - KASAMA RD -MOSI-OA-TUNYA JCT.-L-S-WFEZ (STA. 1+160 - STA. 1+440)	Drawing No. PL-106 SCALE 1/1000 DATE Jan. 2011
--	--	---	---	--

SM200(1.40-2.10)-786.20

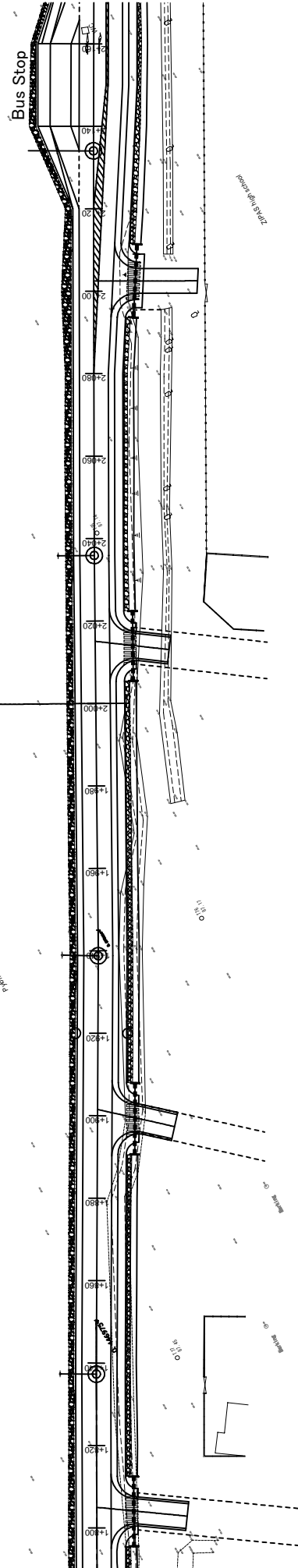


MINISTRY OF LOCAL GOVERNMENT AND HOUSING LUSAKA CITY COUNCIL	JAPAN INTERNATIONAL COOPERATION AGENCY KATAHIRA & ENGINEERS INTERNATIONAL	THE PREPARATORY SURVEY ON THE PROJECT FOR THE IMPROVEMENT OF THE LIVING ENVIRONMENT IN THE SOUTHERN AREA OF LUSAKA IN THE REPUBLIC OF ZAMBIA	PL-107
			DATE
TITLE: MINI BYPASS LINK - INNER RING RD - KASAMA RD -MOSI-OA-TUNYA JCT.-L-S-WFEZ (STA. 1+440 - STA. 1+800)			1/1000
			DATE
			Jan. 2011

(SM200(1.40-2.10)-786.20)

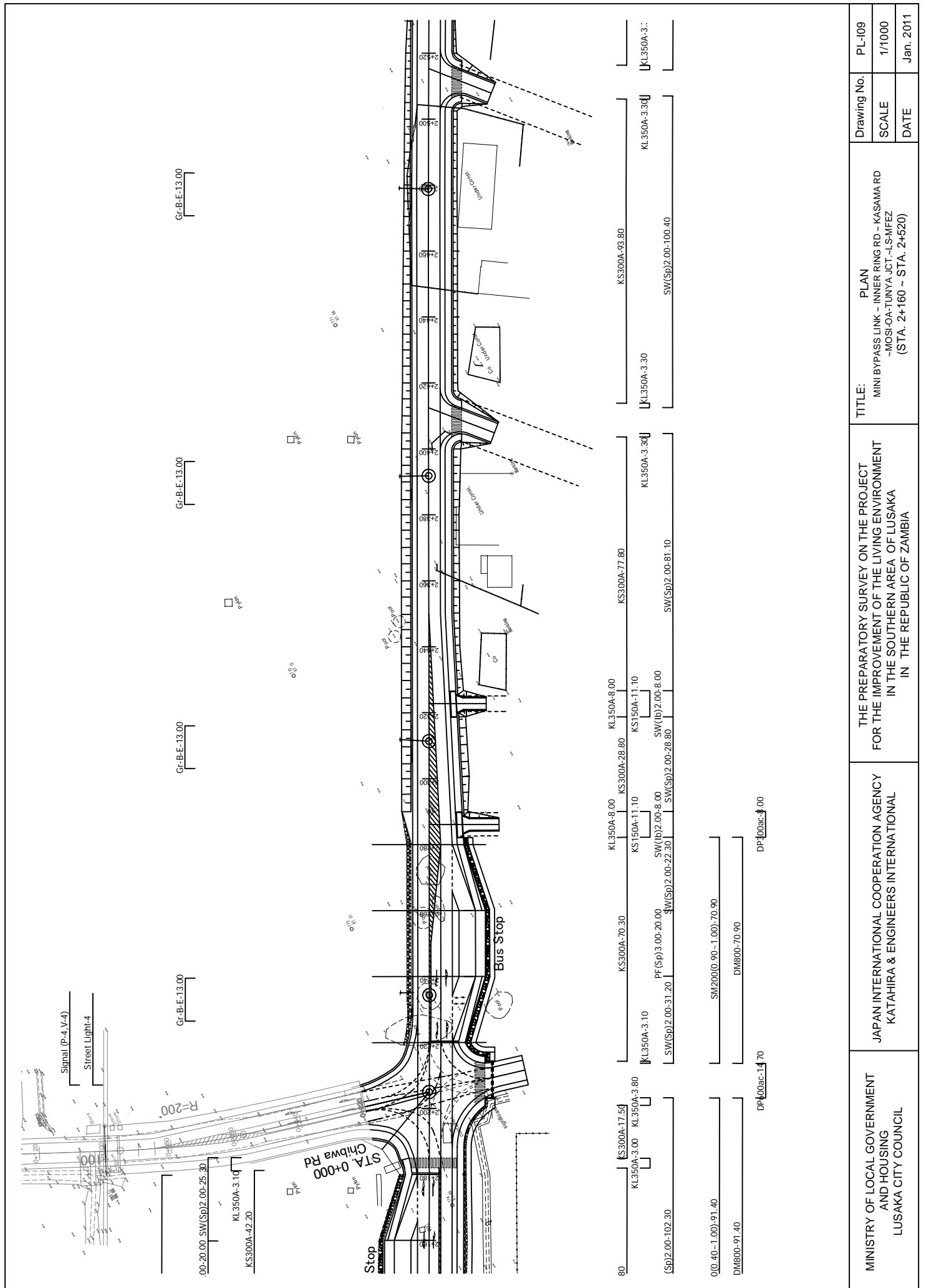


STA. 2+000



50A-3.30	KS300A-87.50	KS300A-106.60	KS300A-80.30	KS300A-74.80
KL350A-3.30	KL350A-3.20	KL350A-3.30	KL350A-3.20	KL350A-3.20
SW(Sp)2.00-94.00	SW(Sp)2.00-113.20	SW(Sp)2.00-86.80	SW(Sp)2.00-102.30	SW(Sp)2.00-102.30
SM200(0.60-1.00)-78.30	SM200(0.80-1.00)-97.50	SM200(0.70-0.90)-71.20	SM200(0.40-1.00)-91	SM200(0.40-1.00)-91
DM800-78.30	DM800-97.50	DM800-71.20	DM800-91.40	DM800-91.40
PP600ac-17.14	PP600ac-17.34	PP600ac-17.24	PP600ac-18.14	PP600ac-18.14

MINISTRY OF LOCAL GOVERNMENT AND HOUSING LUSAKA CITY COUNCIL	JAPAN INTERNATIONAL COOPERATION AGENCY KATAHIRA & ENGINEERS INTERNATIONAL	THE PREPARATORY SURVEY ON THE PROJECT FOR THE IMPROVEMENT OF THE LIVING ENVIRONMENT IN THE SOUTHERN AREA OF LUSAKA IN THE REPUBLIC OF ZAMBIA	TITLE:	PL-108
			MINI BYPASS LINK - INNER RING RD - KASAMA RD -MOSI-OA-TUNYA JCT.-L-S-WFEZ (STA. 1+800 - STA. 2+160)	SCALE DATE
				1/1000 Jan. 2011



MINISTRY OF LOCAL GOVERNMENT AND HOUSING LUSAKA CITY COUNCIL	JAPAN INTERNATIONAL COOPERATION AGENCY KATAHIRA & ENGINEERS INTERNATIONAL	THE PREPARATORY SURVEY ON THE PROJECT FOR THE IMPROVEMENT OF THE LIVING ENVIRONMENT IN THE SOUTHERN AREA OF LUSAKA IN THE REPUBLIC OF ZAMBIA	TITLE:	PLAN	Drawing No.	PL-109
				MINI BYPASS LINK - INNER RING RD - KASAMA RD -MOSHOA-TUNYA JCT.-L-S-WFEZ (STA. 2+160 - STA. 2+520)	SCALE	1/1000
					DATE	Jan. 2011

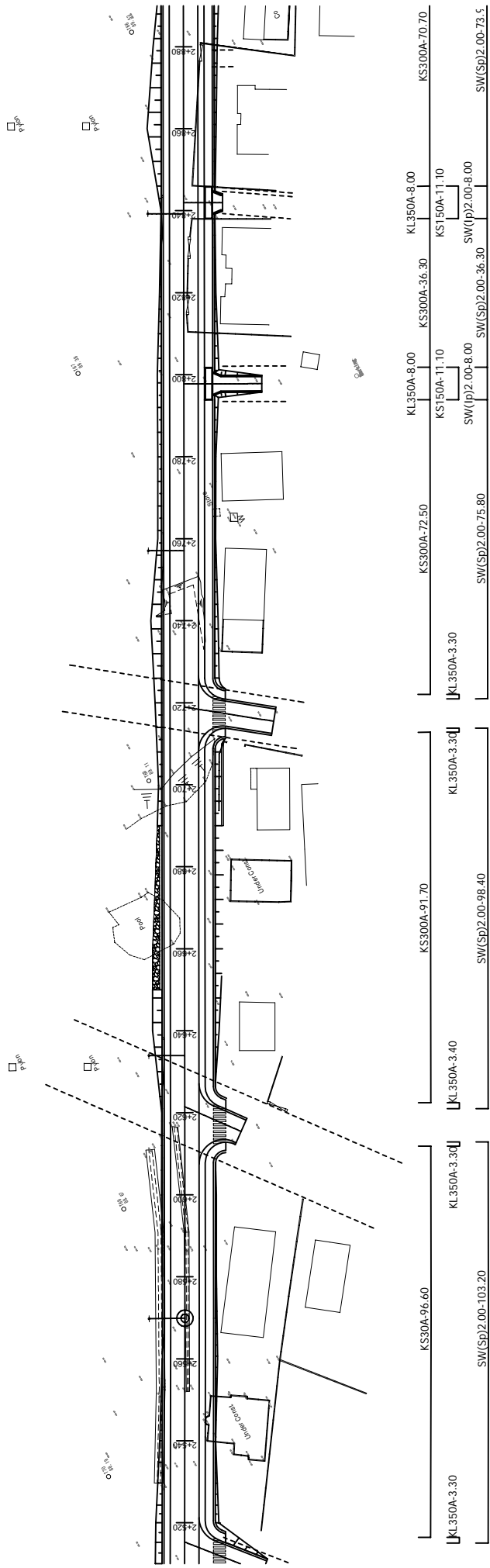
SM-300A(1.83-3.47)-40.00

Gr-B-E-13.00

Gr-B-E-13.00

Gr-B-E-13.00

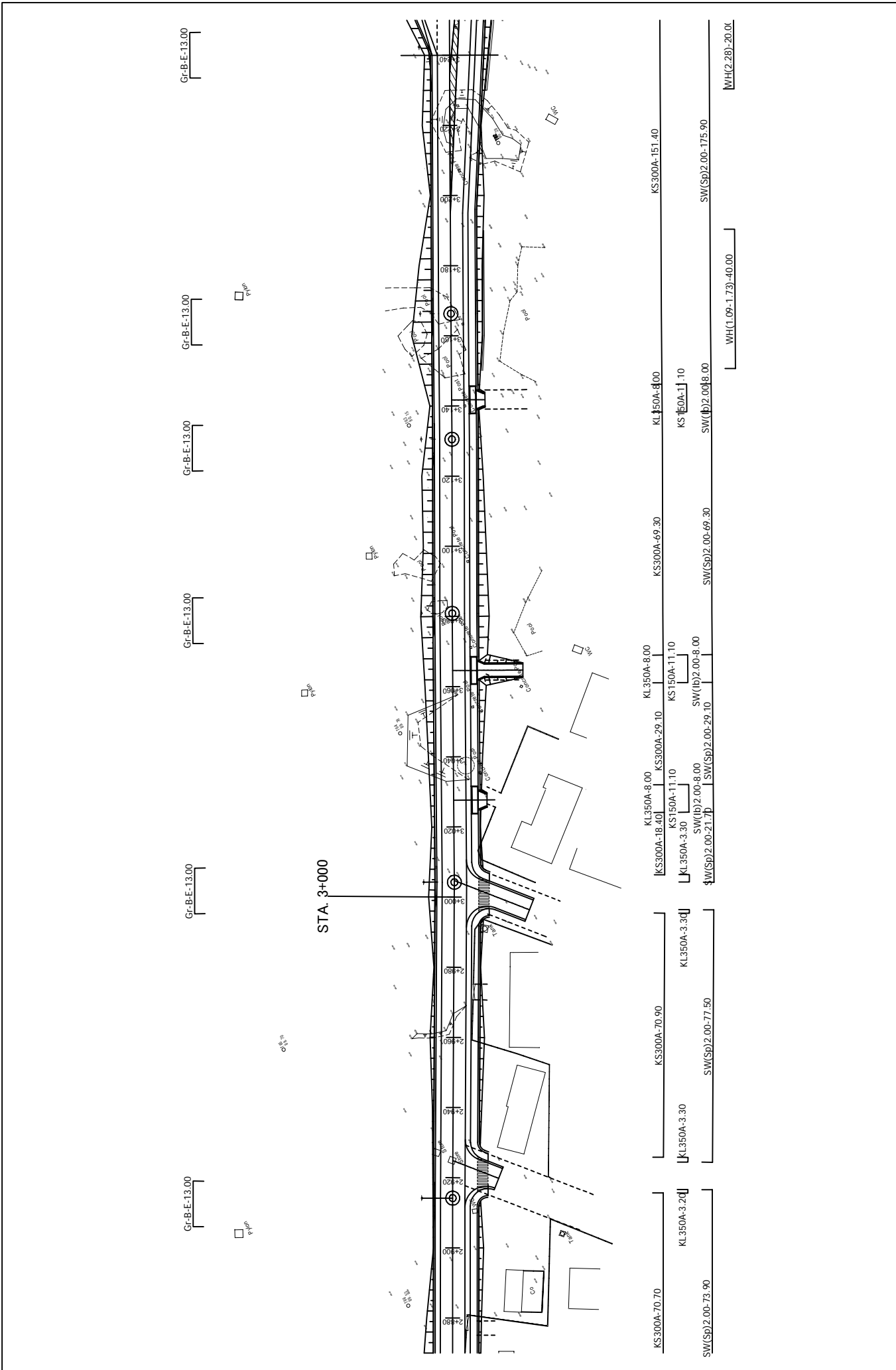
Gr-B-E-13.00



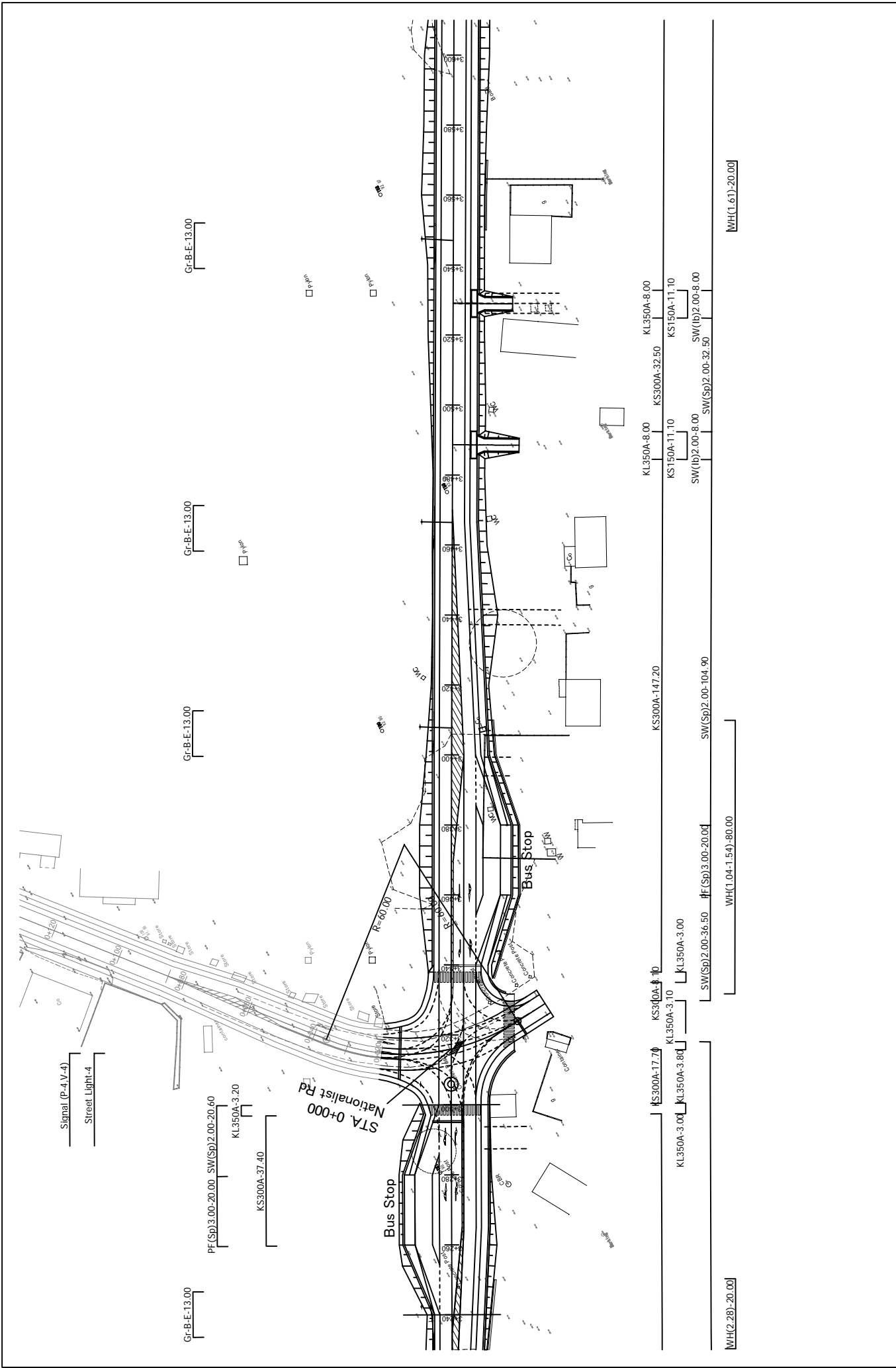
KL 350A-3.30	KS300A-96.60	KL 350A-3.30	KS300A-91.70	KL 350A-3.30	KS300A-72.50	KL 350A-8.00	KS300A-36.30	KL 350A-8.00	KS300A-70.70
SW(Sp)2.00-103.20		SW(Sp)2.00-98.40		SW(Sp)2.00-75.80		SW(p)2.00-8.00		SW(p)2.00-8.00	SW(Sp)2.00-73.5

MM(1.25)-20.00

MINISTRY OF LOCAL GOVERNMENT AND HOUSING LUSAKA CITY COUNCIL	JAPAN INTERNATIONAL COOPERATION AGENCY KATAHIRA & ENGINEERS INTERNATIONAL	THE PREPARATORY SURVEY ON THE PROJECT FOR THE IMPROVEMENT OF THE LIVING ENVIRONMENT IN THE SOUTHERN AREA OF LUSAKA IN THE REPUBLIC OF ZAMBIA	TITLE:	PLAN	Drawing No.	PL-110
			MINI BYPASS LINK - INNER RING RD - KASAMA RD -MOSI-OA-TUNYA JCT.-LS-WFEZ (STA. 2+520 - STA. 2+880)			SCALE
				DATE	Jan. 2011	



MINISTRY OF LOCAL GOVERNMENT AND HOUSING LUSAKA CITY COUNCIL	JAPAN INTERNATIONAL COOPERATION AGENCY KATAHIRA & ENGINEERS INTERNATIONAL	THE PREPARATORY SURVEY ON THE PROJECT FOR THE IMPROVEMENT OF THE LIVING ENVIRONMENT IN THE SOUTHERN AREA OF LUSAKA IN THE REPUBLIC OF ZAMBIA	Drawing No. PL-111 SCALE 1/1000 DATE Jan. 2011
TITLE: PLAN MINI BYPASS LINK - INNER RING RD - KASAMA RD -MOSI-OA-TUNYA JCT.-L-S-WFEZ (STA. 2+880 - STA. 3+240)			



MINISTRY OF LOCAL GOVERNMENT AND HOUSING LUSAKA CITY COUNCIL	JAPAN INTERNATIONAL COOPERATION AGENCY KATAHIRA & ENGINEERS INTERNATIONAL	THE PREPARATORY SURVEY ON THE PROJECT FOR THE IMPROVEMENT OF THE LIVING ENVIRONMENT IN THE SOUTHERN AREA OF LUSAKA IN THE REPUBLIC OF ZAMBIA	TITLE:	PLAN	Drawing No.	PL-112
				MINI BYPASS LINK - INNER RING RD - KASAMA RD - MOSI-OA-TUNYA JCT. - L-S-WFEZ (STA. 3+240 - STA. 3+600)	SCALE	1/1000
					DATE	Jan. 2011

Gr-B-E-13.00

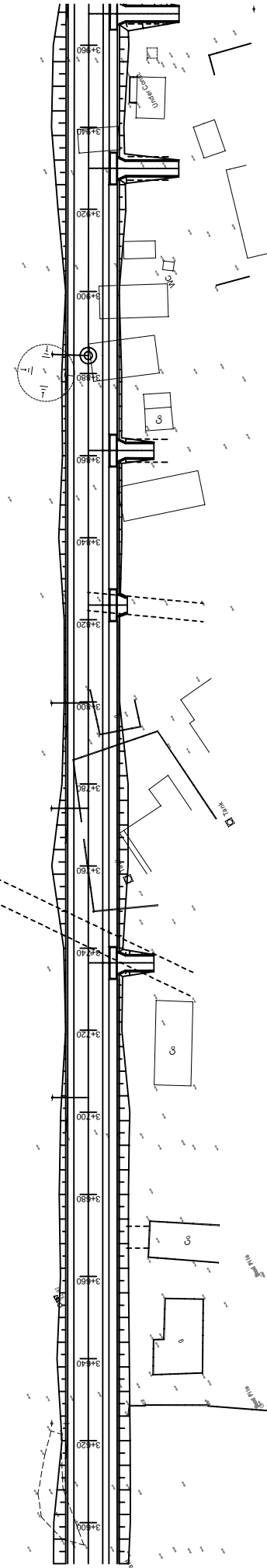
Gr-B-E-13.00

Gr-B-E-13.00

Gr-B-E-13.00

Gr-B-E-13.00

Gr-E



KS300A-199.50

KL350A-8.00

KS300A-79.30

KL350A-8.00

KS300A-60.90

KL350A-8.00

KL350A-

SW(SP)2.00-199.50

KS150A-11.10

SW(SP)2.00-79.30

SW(SP)2.00-29.80

SW(SP)2.00-60.90

SW(SP)2.00-29.90

SW(SP)2.00-29.90

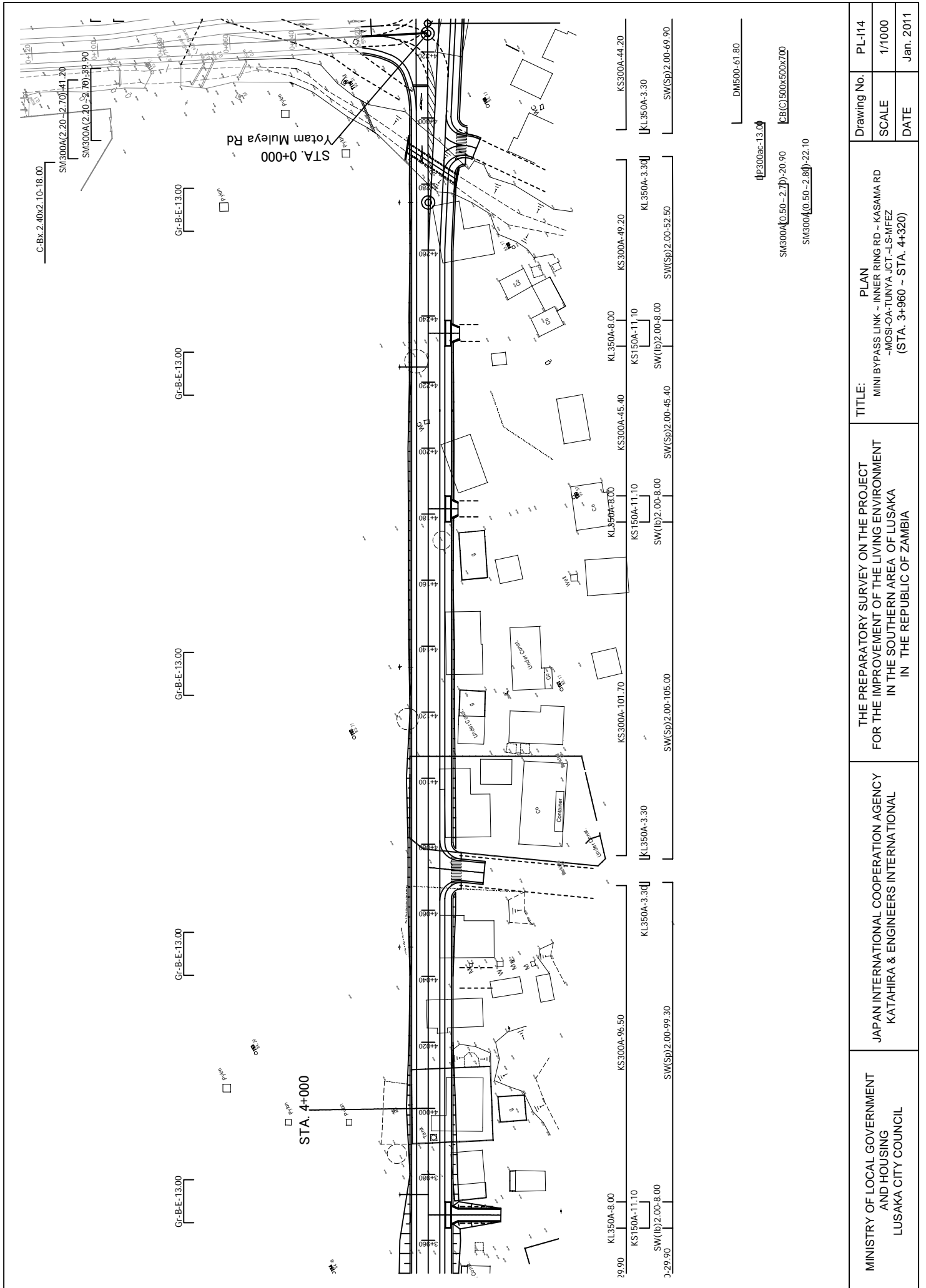
MINISTRY OF LOCAL GOVERNMENT
AND HOUSING
LUSAKA CITY COUNCIL

JAPAN INTERNATIONAL COOPERATION AGENCY
KATAHIRA & ENGINEERS INTERNATIONAL

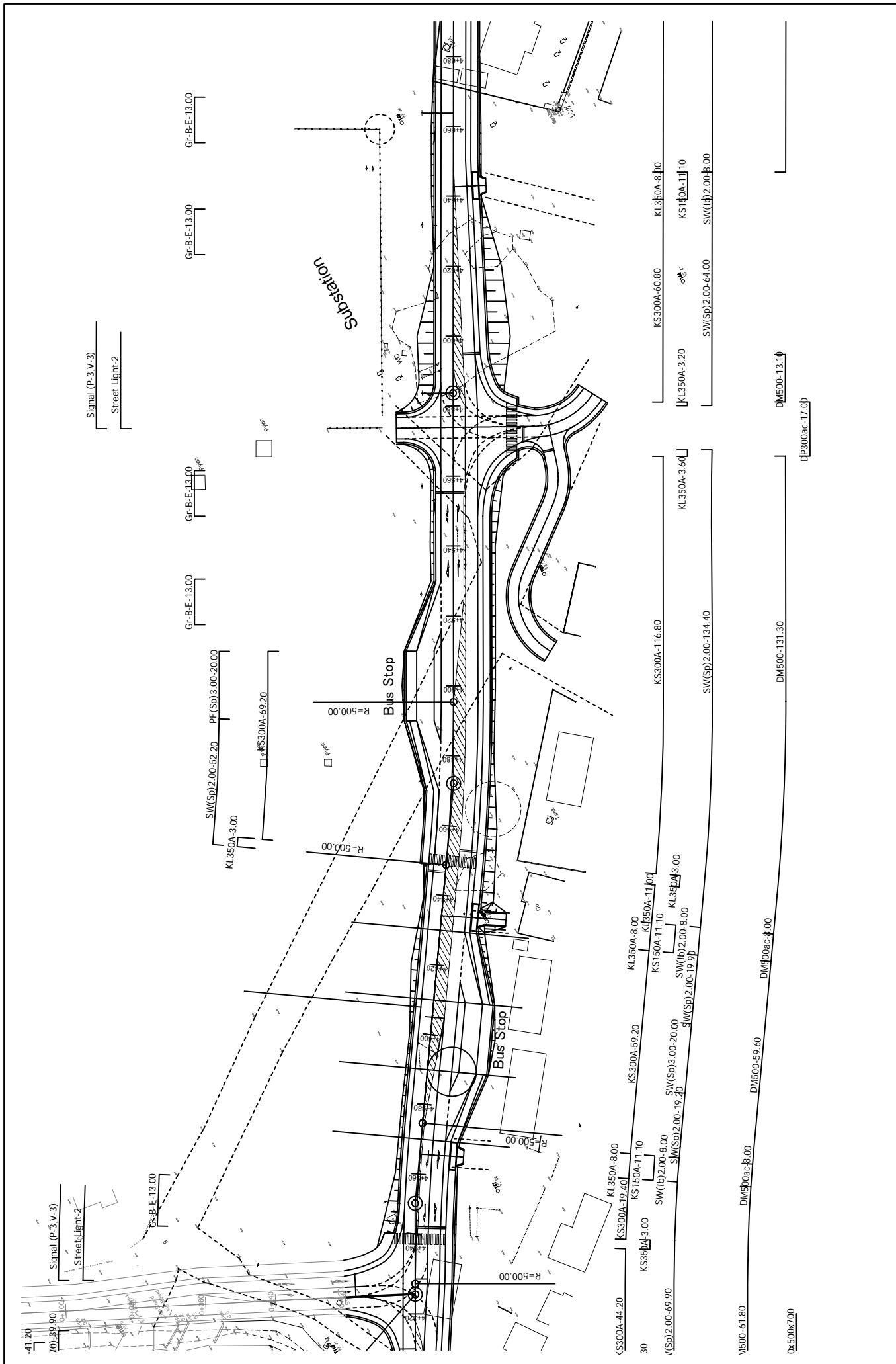
THE PREPARATORY SURVEY ON THE PROJECT
FOR THE IMPROVEMENT OF THE LIVING ENVIRONMENT
IN THE SOUTHERN AREA OF LUSAKA
IN THE REPUBLIC OF ZAMBIA

TITLE:
PLAN
MINI BYPASS LINK - INNER RING RD - KASAMA RD
-MOSI-OA-TUNYA JCT.-L-S-WFEZ
(STA. 3+600 - STA. 3+960)

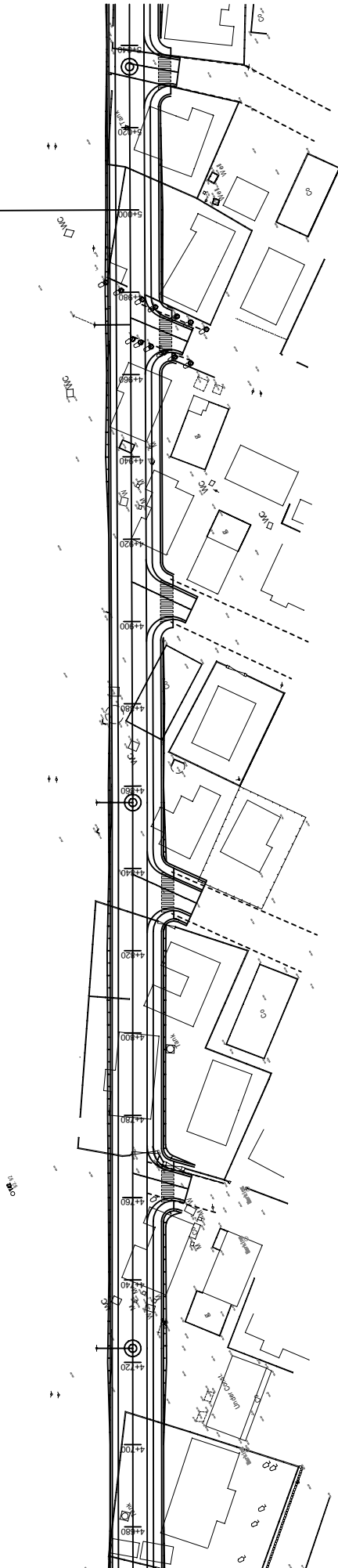
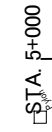
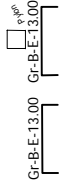
Drawing No. PL-113
SCALE 1/1000
DATE Jan. 2011



MINISTRY OF LOCAL GOVERNMENT AND HOUSING LUSAKA CITY COUNCIL	JAPAN INTERNATIONAL COOPERATION AGENCY KATAHIRA & ENGINEERS INTERNATIONAL	THE PREPARATORY SURVEY ON THE PROJECT FOR THE IMPROVEMENT OF THE LIVING ENVIRONMENT IN THE SOUTHERN AREA OF LUSAKA IN THE REPUBLIC OF ZAMBIA	TITLE: PLAN MINI BYPASS LINK - INNER RING RD - KASAMA RD -MOSI-OA-TUNYA JCT.-L-S-WFEZ (STA. 3+960 - STA. 4+320)	Drawing No. SCALE DATE	PL-114 1/1000 Jan. 2011
--	--	---	---	------------------------------	-------------------------------

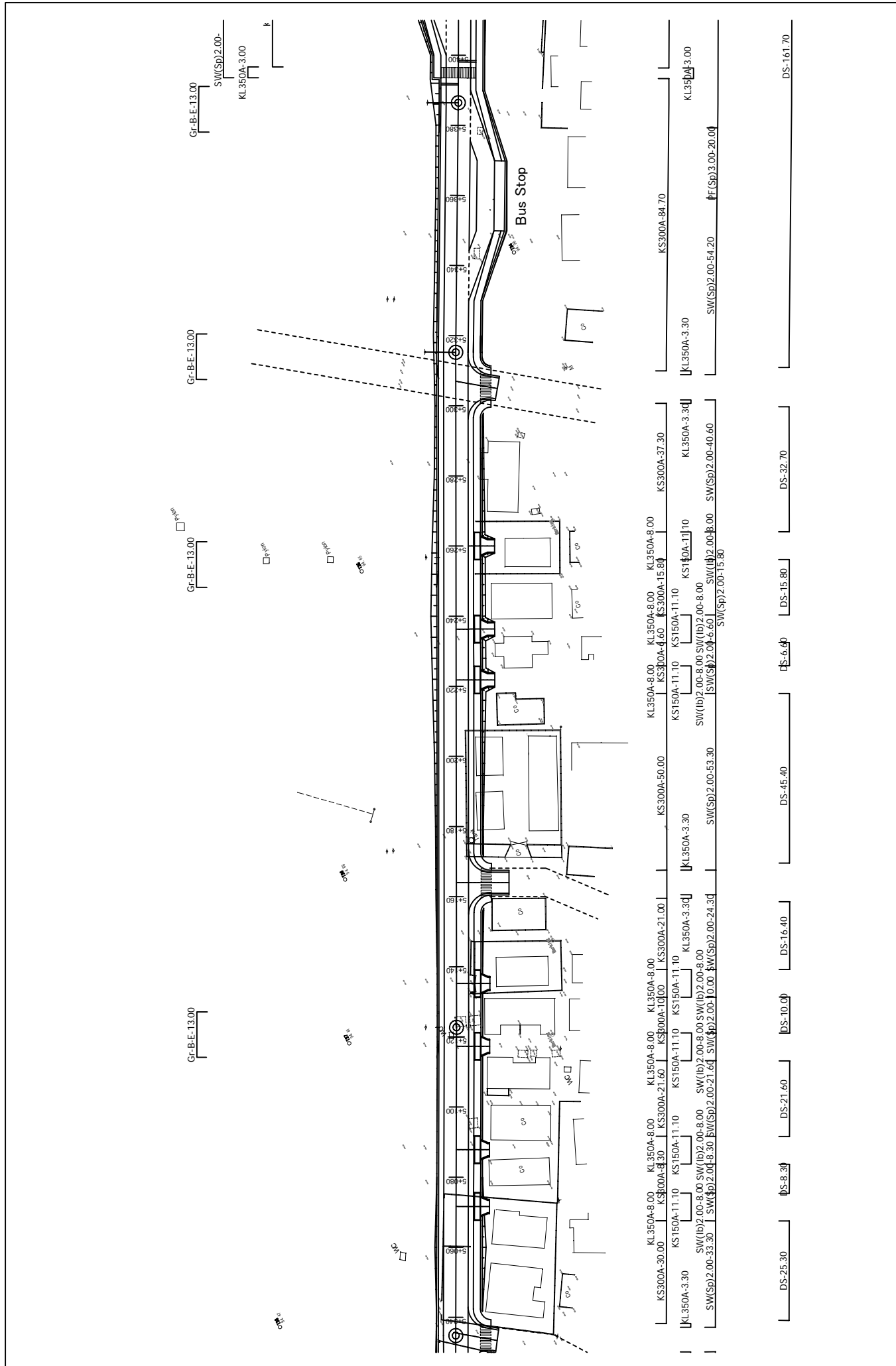


MINISTRY OF LOCAL GOVERNMENT AND HOUSING LUSAKA CITY COUNCIL	JAPAN INTERNATIONAL COOPERATION AGENCY KATAHIRA & ENGINEERS INTERNATIONAL	THE PREPARATORY SURVEY ON THE PROJECT FOR THE IMPROVEMENT OF THE LIVING ENVIRONMENT IN THE SOUTHERN AREA OF LUSAKA IN THE REPUBLIC OF ZAMBIA	TITLE: PLAN MINI BYPASS LINK - INNER RING RD - KASAMA RD -MOSI-OA-TUNYA JCT.-L-S-WFEZ (STA. 4+320 - STA. 4+680)	Drawing No. SCALE DATE	PL-115 1/1000 Jan. 2011
--	--	---	---	------------------------------	-------------------------------

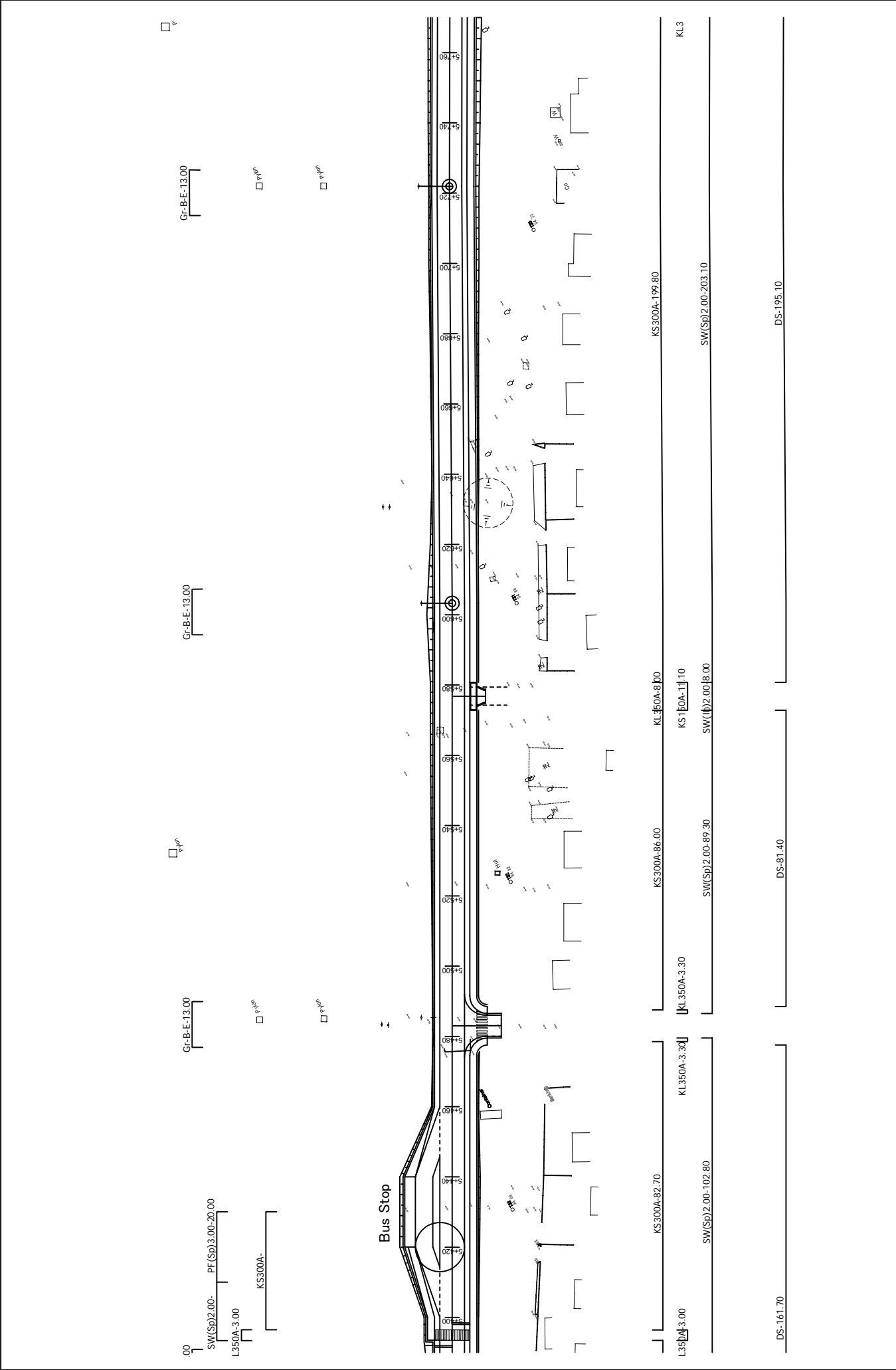


KS300A-112.00	KS300A-62.10	KS300A-61.40	KS300A-55.40	KS300A-55.60	KS300A-55.60
KL350A-3.30	KL350A-3.30	KL350A-3.40	KL350A-3.40	KL350A-3.40	KL350A-3.40
SW(Sp)2.00-68.70	SW(Sp)2.00-68.70	SW(Sp)2.00-68.10	SW(Sp)2.00-62.10	SW(Sp)2.00-62.30	SW(Sp)2.00-62.30
DS-107.30	DS-52.80	DS-52.20	DS-46.10	DS-46.30	DS-46.30

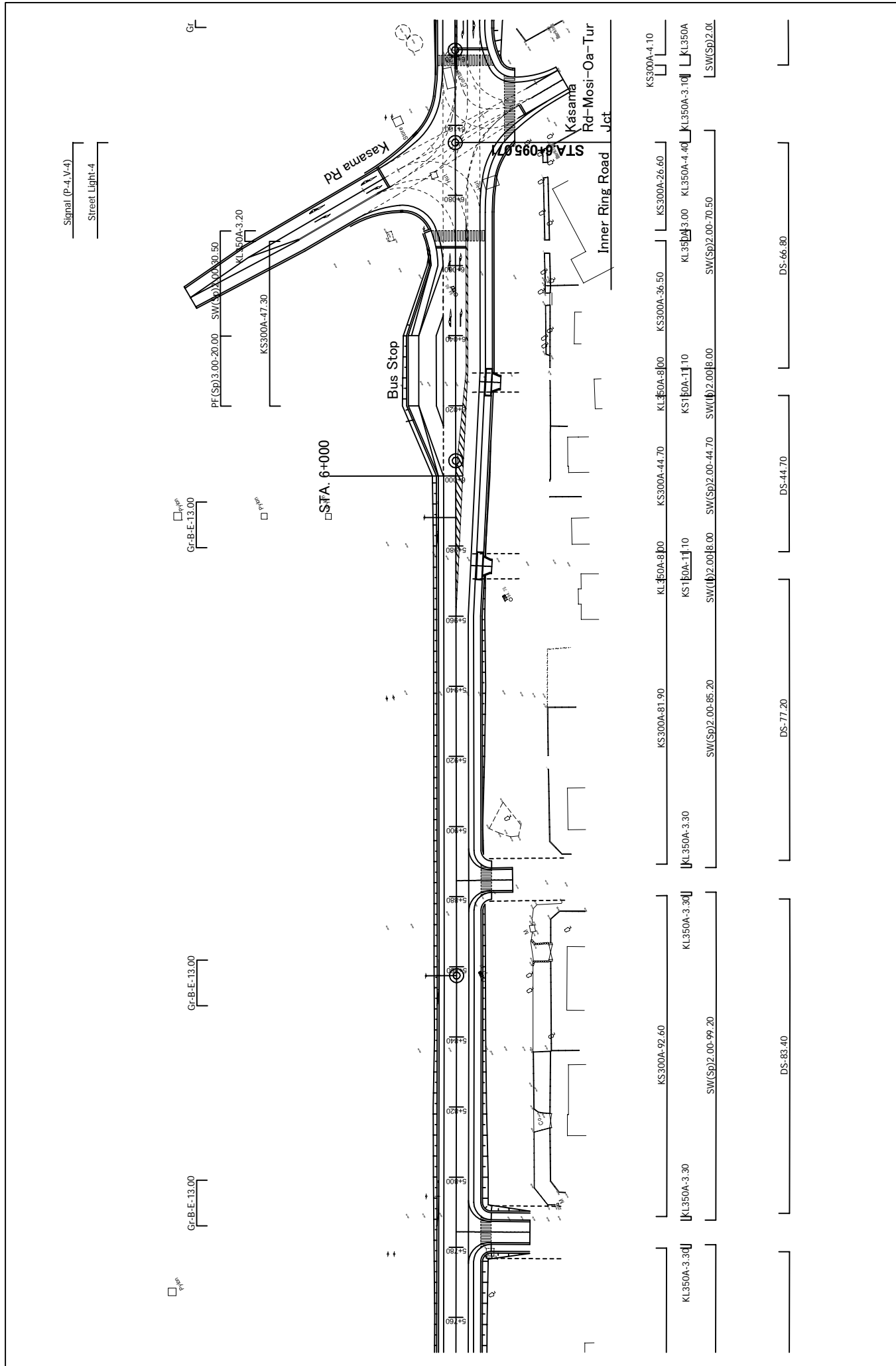
MINISTRY OF LOCAL GOVERNMENT AND HOUSING LUSAKA CITY COUNCIL	JAPAN INTERNATIONAL COOPERATION AGENCY KATAHIRA & ENGINEERS INTERNATIONAL	THE PREPARATORY SURVEY ON THE PROJECT FOR THE IMPROVEMENT OF THE LIVING ENVIRONMENT IN THE SOUTHERN AREA OF LUSAKA IN THE REPUBLIC OF ZAMBIA	TITLE: PLAN MINI BYPASS LINK - INNER RING RD - KASAMA RD - MOSI-OA-TUNYA JCT.-L-S-WFEZ (STA. 4+680 - STA. 5+040)		Drawing No.	PL-I16
			SCALE	1/1000	DATE	Jan. 2011



MINISTRY OF LOCAL GOVERNMENT AND HOUSING LUSAKA CITY COUNCIL	JAPAN INTERNATIONAL COOPERATION AGENCY KATAHIRA & ENGINEERS INTERNATIONAL	THE PREPARATORY SURVEY ON THE PROJECT FOR THE IMPROVEMENT OF THE LIVING ENVIRONMENT IN THE SOUTHERN AREA OF LUSAKA IN THE REPUBLIC OF ZAMBIA	TITLE:	PLAN	Drawing No.	PL-117
				MINI BYPASS LINK - INNER RING RD - KASAMA RD - MOSI-OA-TUNYA JCT. - L-S-WFEZ (STA. 5+040 - STA. 5+400)	SCALE	1/1000
					DATE	Jan. 2011



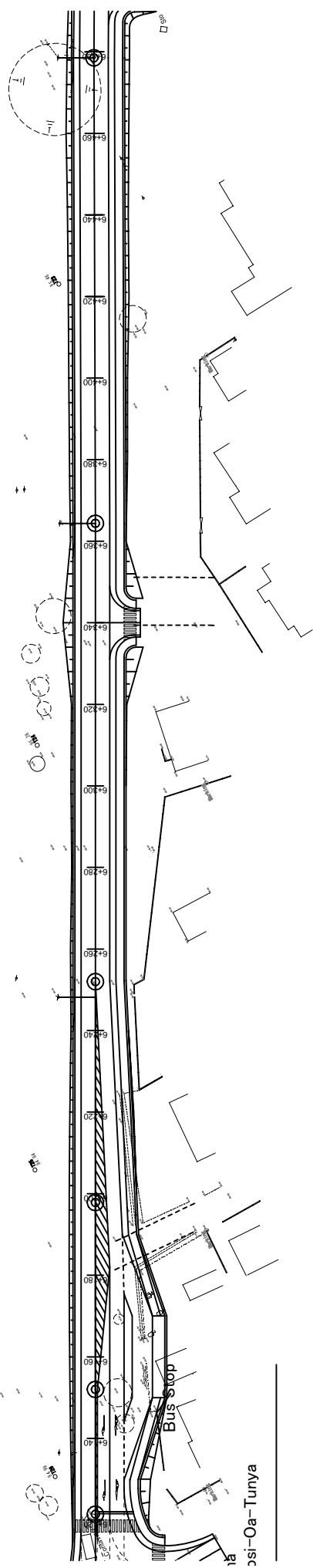
MINISTRY OF LOCAL GOVERNMENT AND HOUSING LUSAKA CITY COUNCIL	JAPAN INTERNATIONAL COOPERATION AGENCY KATAHIRA & ENGINEERS INTERNATIONAL	THE PREPARATORY SURVEY ON THE PROJECT FOR THE IMPROVEMENT OF THE LIVING ENVIRONMENT IN THE SOUTHERN AREA OF LUSAKA IN THE REPUBLIC OF ZAMBIA	TITLE: PLAN MINI BYPASS LINK - INNER RING RD - KASAMA RD -MOSI-OA-TUNYA JCT.-LS-WFEZ (STA. 5+400 ~ STA. 5+760)	Drawing No.	PL-118
				SCALE	1/1000
				DATE	Jan. 2011



MINISTRY OF LOCAL GOVERNMENT AND HOUSING LUSAKA CITY COUNCIL	JAPAN INTERNATIONAL COOPERATION AGENCY KATAHIRA & ENGINEERS INTERNATIONAL	THE PREPARATORY SURVEY ON THE PROJECT FOR THE IMPROVEMENT OF THE LIVING ENVIRONMENT IN THE SOUTHERN AREA OF LUSAKA IN THE REPUBLIC OF ZAMBIA		TITLE: PLAN MINI BYPASS LINK - INNER RING RD - KASAMA RD - MOSI-OA-TUNYA JCT. - S-WIFEZ (STA. 5+760 - STA. 6+120)	Drawing No.	PL-I19
		SCALE	1/1000		DATE	Jan. 2011

Gr-B-E-13.00 Gr-B-E-13.00 Gr-B-E-13.00

□ $\frac{1}{1000}$ □ $\frac{1}{1000}$ □ $\frac{1}{1000}$



KS300A-4.10 KS300A-216.80 KS300A-148.10

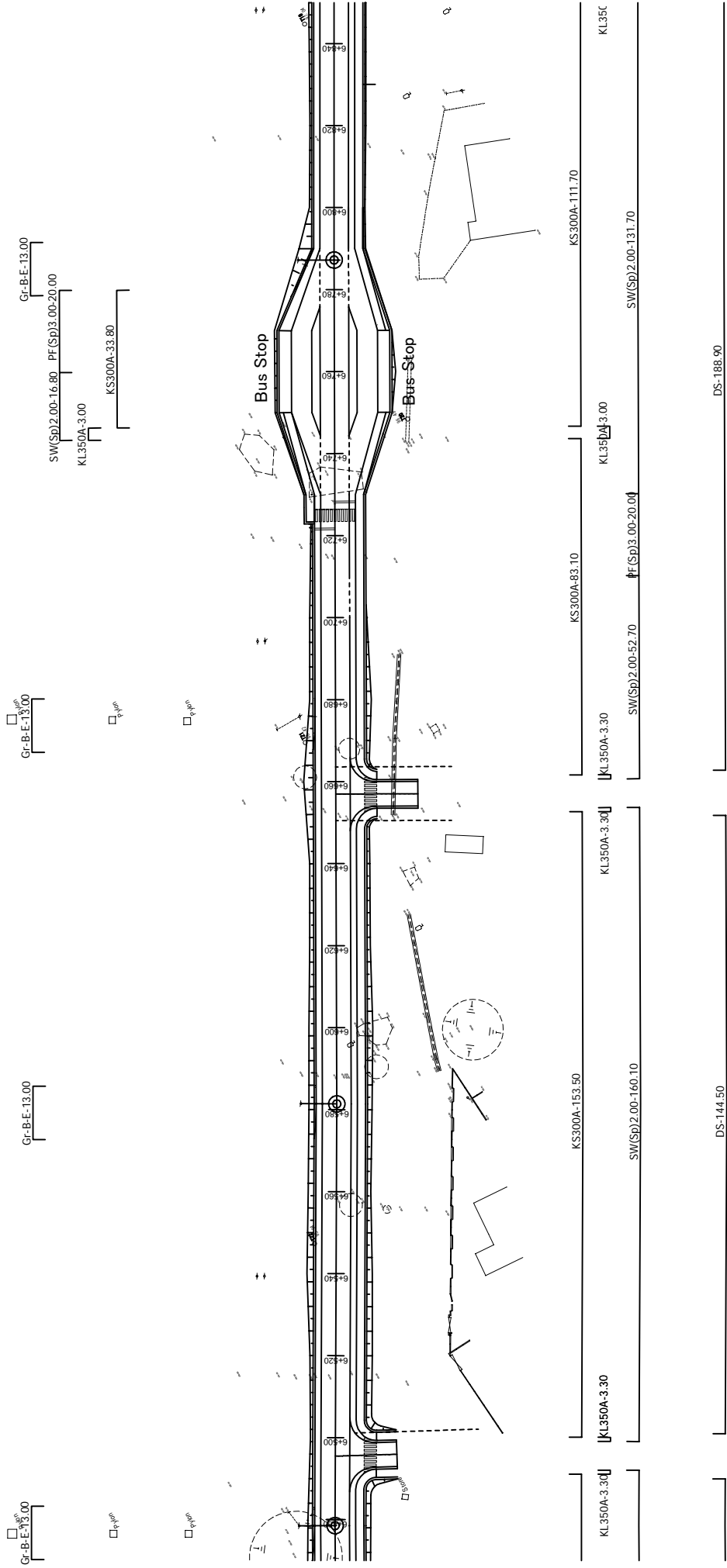
3.10 [KL350A-3.30] [KL350A-3.30] [KL350A-3.30]

[SW(Sp)2.00-30.80 PF(Sp)3.00-20.00] [SW(Sp)2.00-199.66] [SW(Sp)2.00-154.70]

DS-215.10 DS-139.00

Bus Stop

MINISTRY OF LOCAL GOVERNMENT AND HOUSING LUSAKA CITY COUNCIL	JAPAN INTERNATIONAL COOPERATION AGENCY KATAHIRA & ENGINEERS INTERNATIONAL	THE PREPARATORY SURVEY ON THE PROJECT FOR THE IMPROVEMENT OF THE LIVING ENVIRONMENT IN THE SOUTHERN AREA OF LUSAKA IN THE REPUBLIC OF ZAMBIA	TITLE: PLAN MINI BYPASS LINK - INNER RING RD - KASAMA RD - MOSI-OA-TUNYA JCT. - L-S-WFEZ (STA. 6+120 - STA. 6+480)	Drawing No.	PL-120
				SCALE	1/1000
				DATE	Jan. 2011



MINISTRY OF LOCAL GOVERNMENT AND HOUSING LUSAKA CITY COUNCIL	JAPAN INTERNATIONAL COOPERATION AGENCY KATAHIRA & ENGINEERS INTERNATIONAL	THE PREPARATORY SURVEY ON THE PROJECT FOR THE IMPROVEMENT OF THE LIVING ENVIRONMENT IN THE SOUTHERN AREA OF LUSAKA IN THE REPUBLIC OF ZAMBIA	TITLE:	PLAN	Drawing No.	PL-I21
				MINI BYPASS LINK - INNER RING RD - KASAMA RD -MOSI-OA-TUNYA JCT.-L-S-WFEZ (STA. 6+480 - STA. 6+840)	SCALE	1/1000
					DATE	Jan. 2011

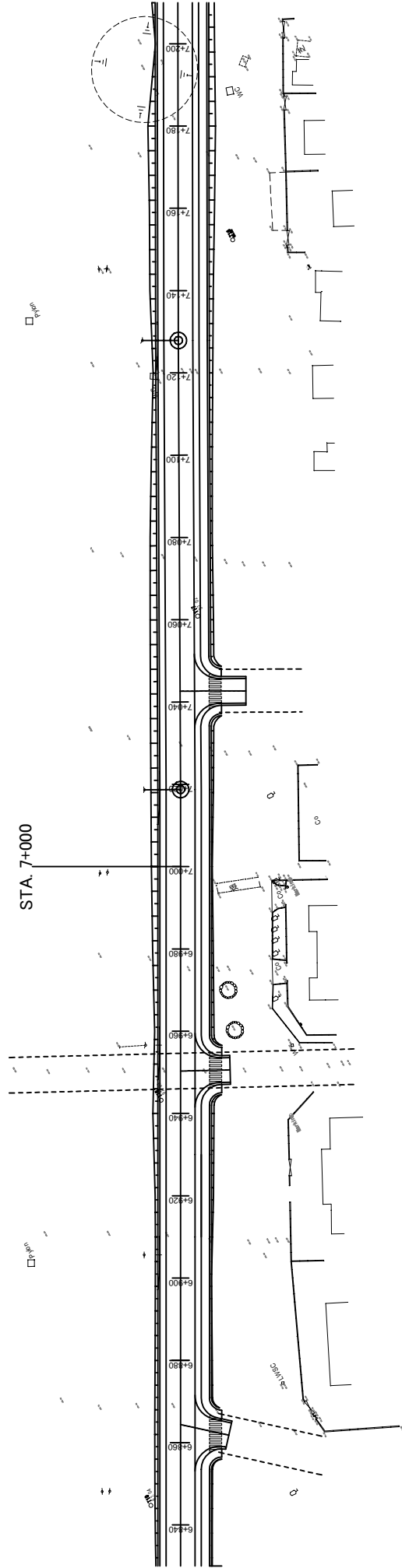
Gr-B-E-13.00

Gr-B-E-13.00

Gr-B-E-13.00

Gr-B-E-13.00

STA. 7+000



KL350A-3.30

KL350A-3.30

KL350A-3.30

KL350A-3.30

KL350A-3.30

KL350A-3.30

KL350A-3.30

KL350A-3.30

KL350A-3.30

KL350A-3.30

KL350A-3.30

KL350A-3.30

KL350A-3.30

KL350A-3.30

KL350A-3.30

KL350A-3.30

SW(Sp)2.00-37.10

SW(Sp)2.00-91.00

SW(Sp)2.00-91.00

SW(Sp)2.00-91.00

SW(Sp)2.00-91.00

SW(Sp)2.00-91.00

SW(Sp)2.00-91.00

SW(Sp)2.00-91.00

SW(Sp)2.00-91.00

SW(Sp)2.00-91.00

SW(Sp)2.00-91.00

SW(Sp)2.00-91.00

SW(Sp)2.00-91.00

SW(Sp)2.00-91.00

SW(Sp)2.00-91.00

SW(Sp)2.00-91.00

DS-71.20

DS-75.20

DS-75.20

DS-75.20

DS-75.20

DS-75.20

DS-75.20

DS-75.20

DS-75.20

DS-75.20

DS-75.20

DS-75.20

DS-75.20

DS-75.20

DS-75.20

DS-75.20

KS300A-80.50

KS300A-84.40

KS300A-84.40

KS300A-84.40

KS300A-84.40

KS300A-84.40

KS300A-84.40

KS300A-84.40

KS300A-84.40

KS300A-84.40

KS300A-84.40

KS300A-84.40

KS300A-84.40

KS300A-84.40

KS300A-84.40

KS300A-84.40

MINISTRY OF LOCAL GOVERNMENT AND HOUSING LUSAKA CITY COUNCIL

JAPAN INTERNATIONAL COOPERATION AGENCY KATAHIRA & ENGINEERS INTERNATIONAL

THE PREPARATORY SURVEY ON THE PROJECT FOR THE IMPROVEMENT OF THE LIVING ENVIRONMENT IN THE SOUTHERN AREA OF LUSAKA IN THE REPUBLIC OF ZAMBIA

TITLE: PLAN MINI BYPASS LINK - INNER RING RD - KASAMA RD - MOSI-OA-TUNYA JCT. - LS-WIFEZ (STA. 6+840 - STA. 7+200)

Drawing No.

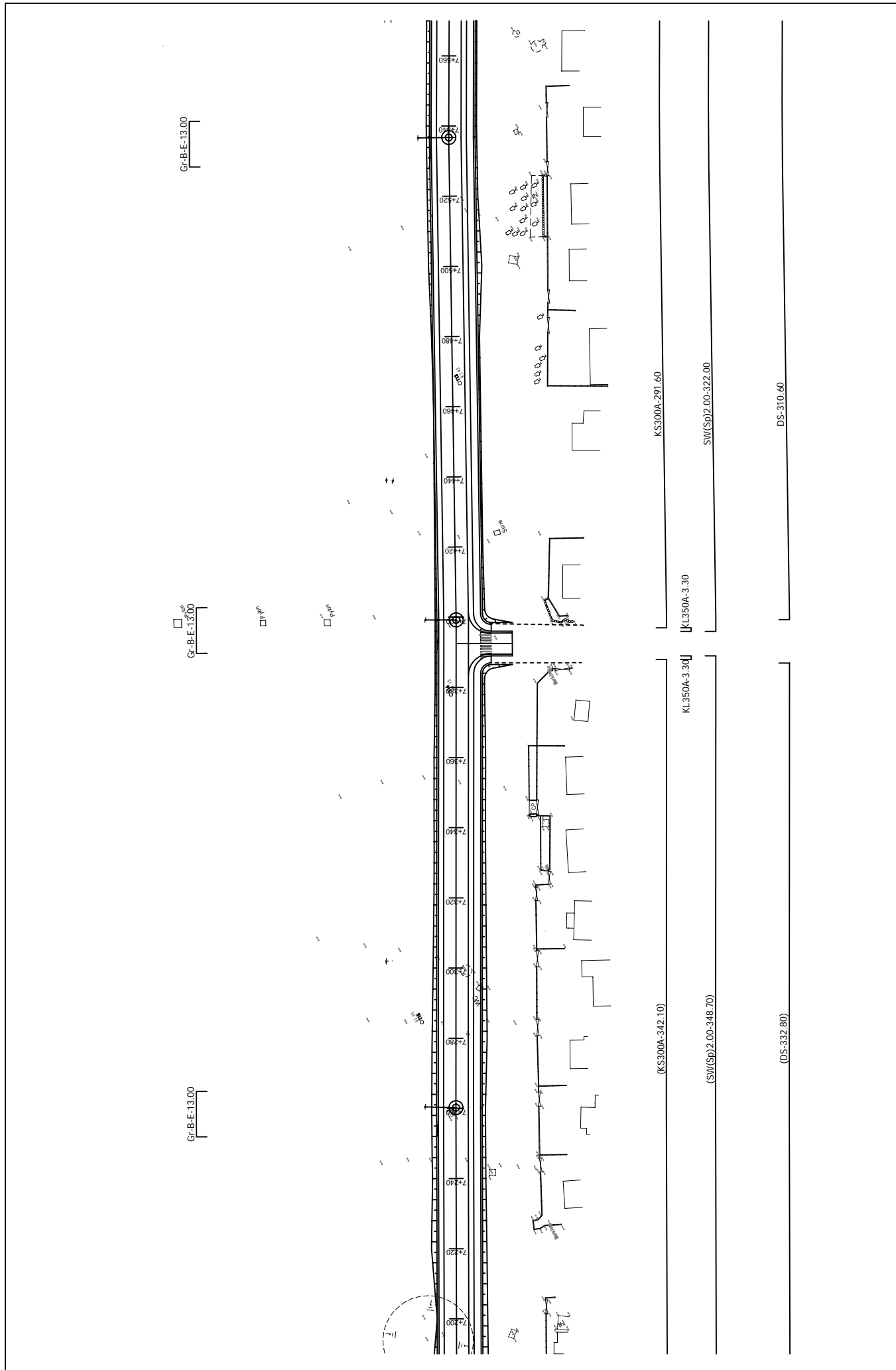
PL-I22

SCALE

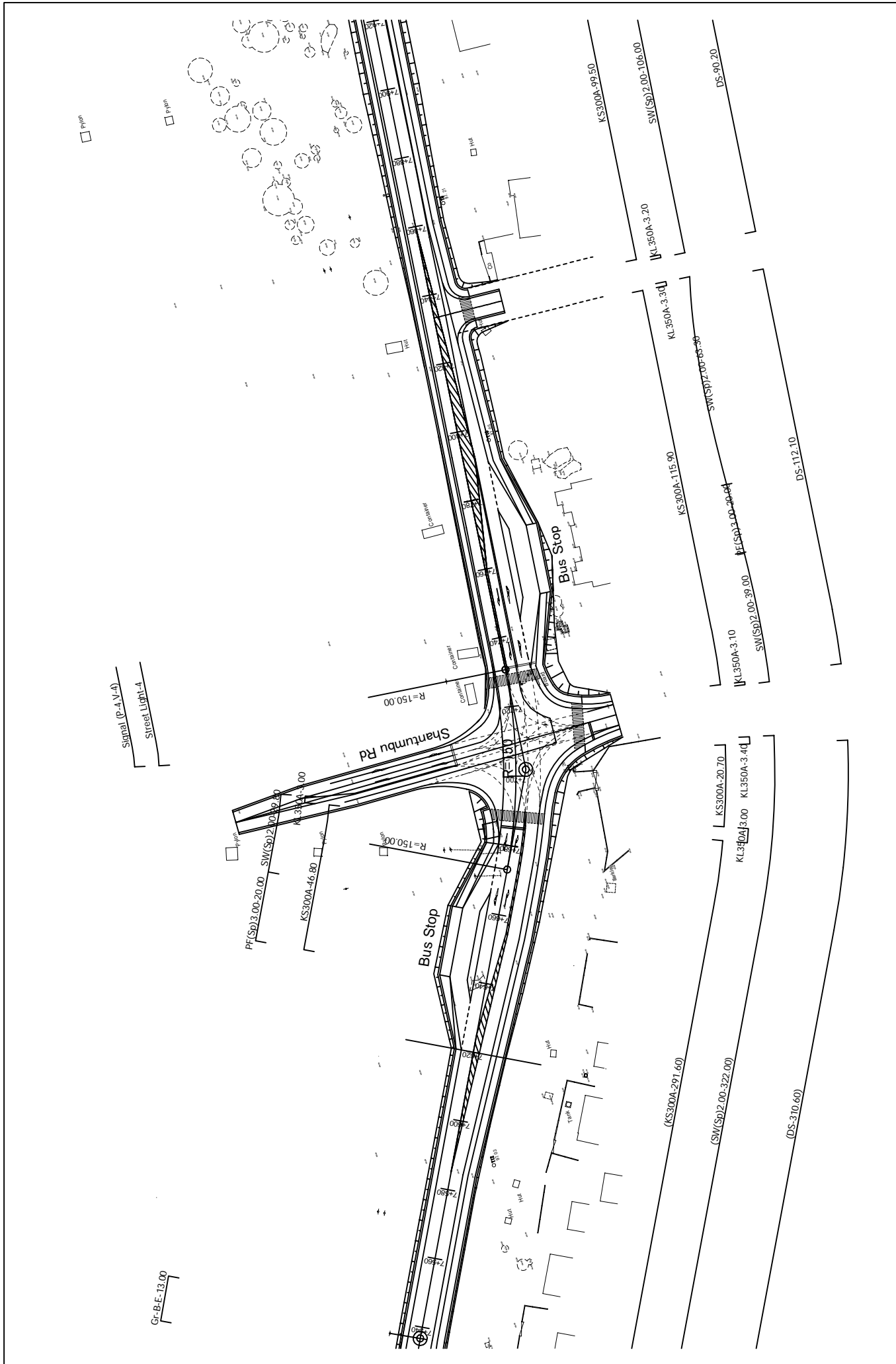
1/1000

DATE

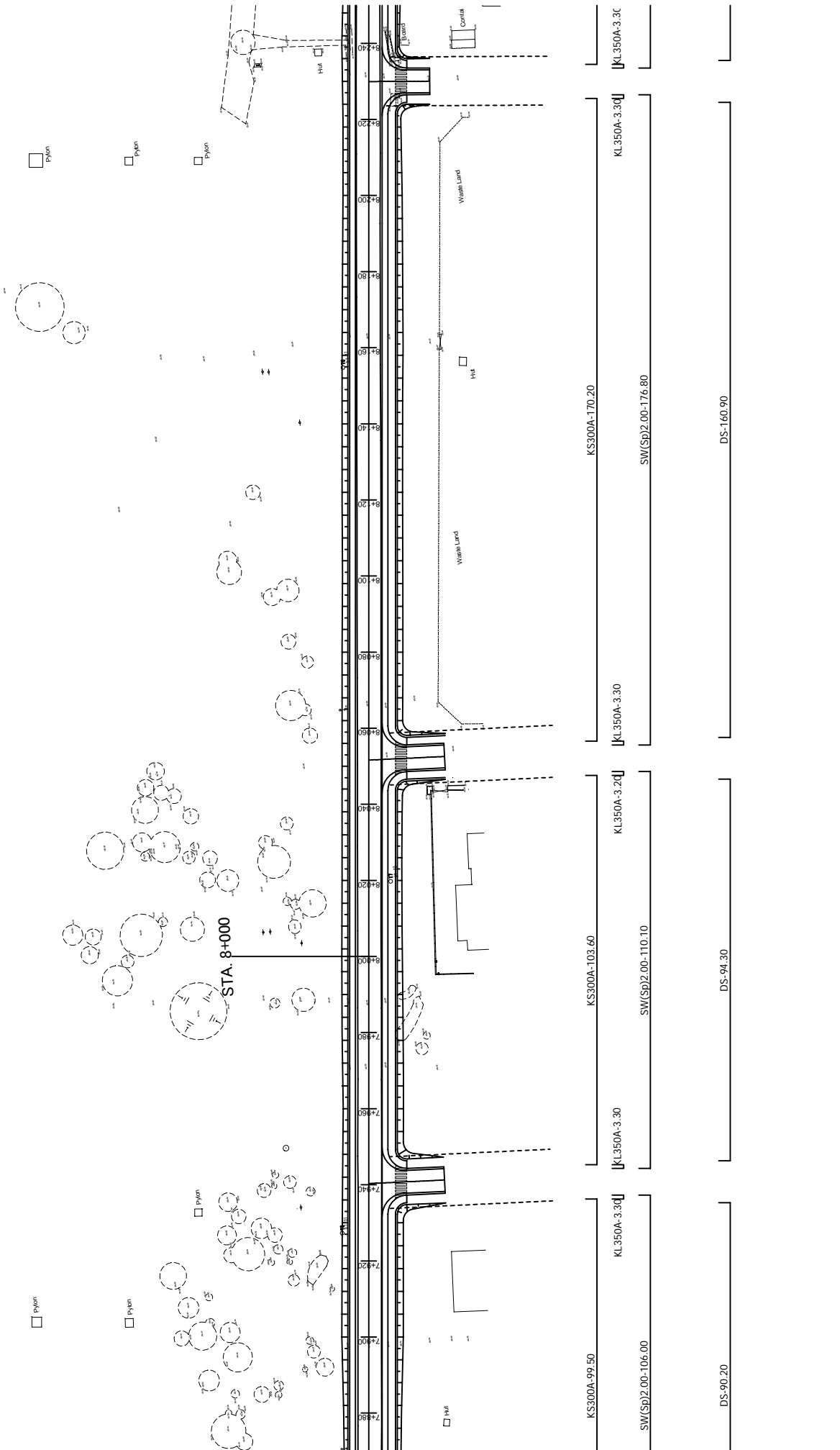
Jan. 2011



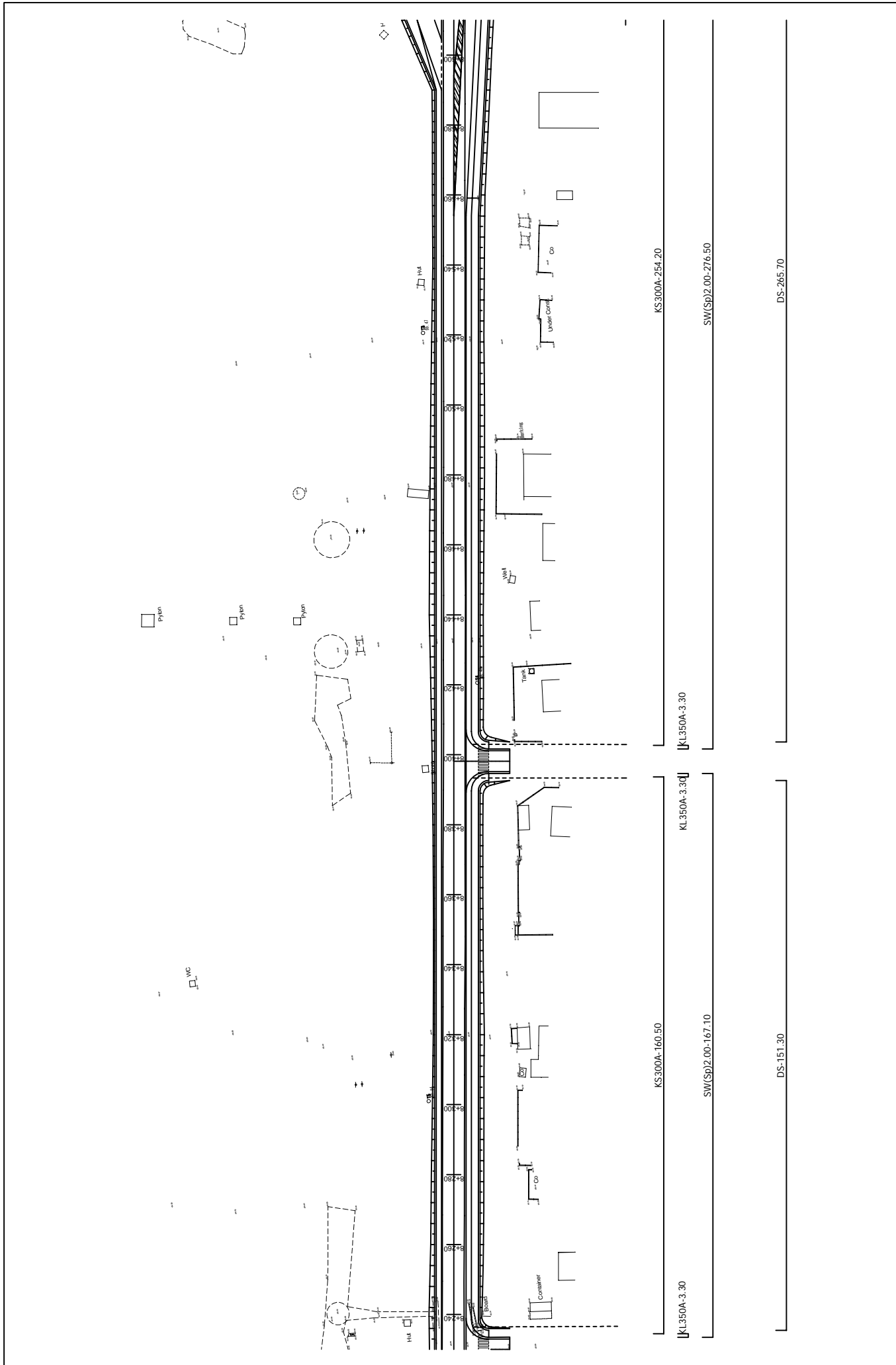
MINISTRY OF LOCAL GOVERNMENT AND HOUSING LUSAKA CITY COUNCIL	JAPAN INTERNATIONAL COOPERATION AGENCY KATAHIRA & ENGINEERS INTERNATIONAL	THE PREPARATORY SURVEY ON THE PROJECT FOR THE IMPROVEMENT OF THE LIVING ENVIRONMENT IN THE SOUTHERN AREA OF LUSAKA IN THE REPUBLIC OF ZAMBIA	TITLE:	PLAN MINI BYPASS LINK - INNER RING RD - KASAMA RD -MOSI-OA-TUNYA JCT.-LS-WFEZ (STA. 7+200 ~ STA. 7+560)	Drawing No.	PL-123
			SCALE		1/1000	
				DATE	Jan. 2011	



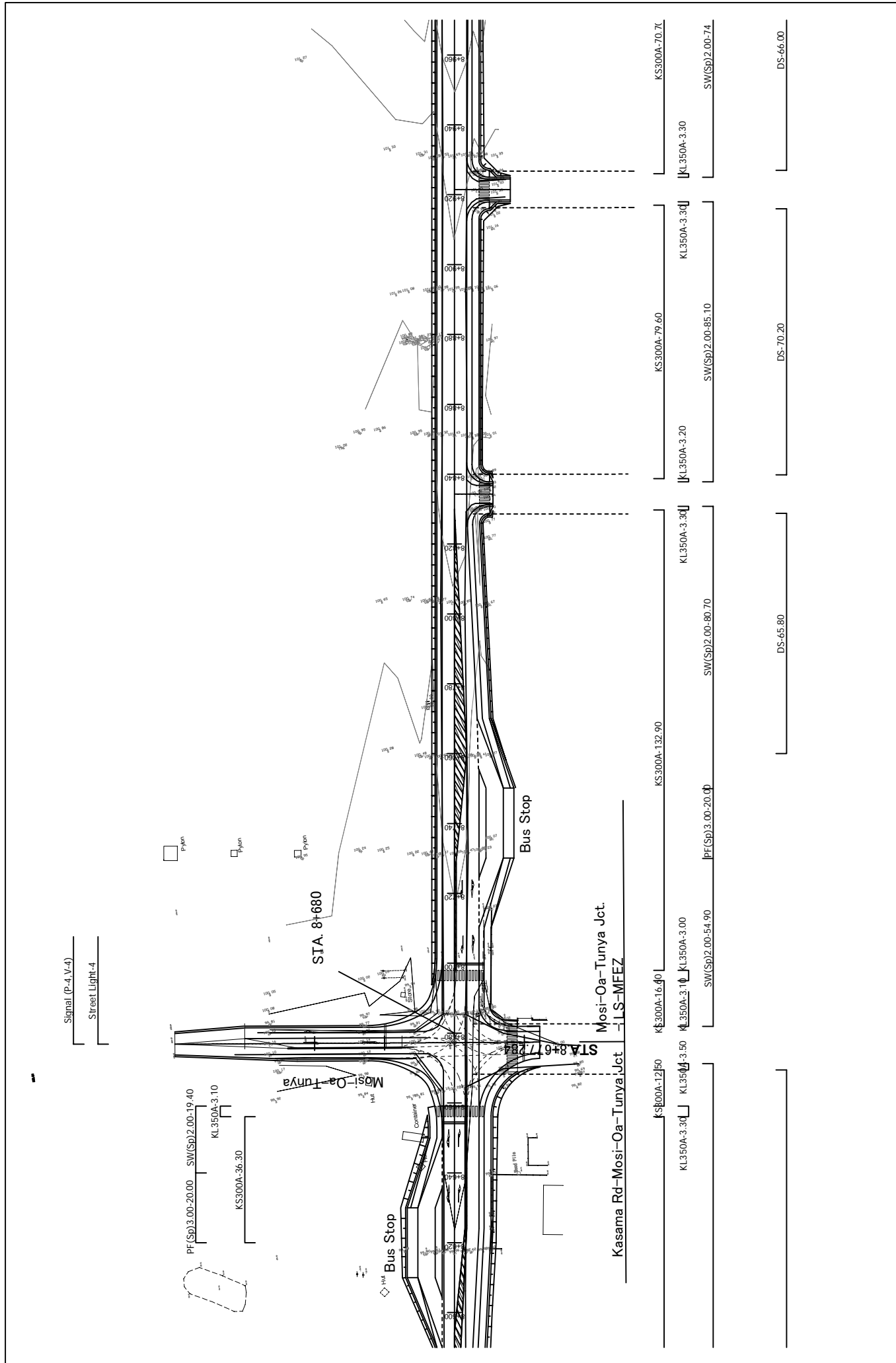
MINISTRY OF LOCAL GOVERNMENT AND HOUSING LUSAKA CITY COUNCIL	JAPAN INTERNATIONAL COOPERATION AGENCY KATAHIRA & ENGINEERS INTERNATIONAL	THE PREPARATORY SURVEY ON THE PROJECT FOR THE IMPROVEMENT OF THE LIVING ENVIRONMENT IN THE SOUTHERN AREA OF LUSAKA IN THE REPUBLIC OF ZAMBIA	TITLE:	PLAN	Drawing No.	PL-124
				MINI BYPASS LINK - INNER RING RD - KASAMA RD - MOSI-OA-TUNYA JCT. - S-WIFEZ (STA. 7+560 - STA. 7+880)	SCALE	1/1000
					DATE	Jan. 2011



MINISTRY OF LOCAL GOVERNMENT AND HOUSING LUSAKA CITY COUNCIL	JAPAN INTERNATIONAL COOPERATION AGENCY KATAHIRA & ENGINEERS INTERNATIONAL	THE PREPARATORY SURVEY ON THE PROJECT FOR THE IMPROVEMENT OF THE LIVING ENVIRONMENT IN THE SOUTHERN AREA OF LUSAKA IN THE REPUBLIC OF ZAMBIA	TITLE: PLAN MINI BYPASS LINK - INNER RING RD - KASAMA RD -MOSI-OA-TUNYA JCT.-LS-WIFEZ (STA. 7+880 - STA. 8+240)	Drawing No.	PL-I25
				SCALE	1/1000
				DATE	Jan. 2011

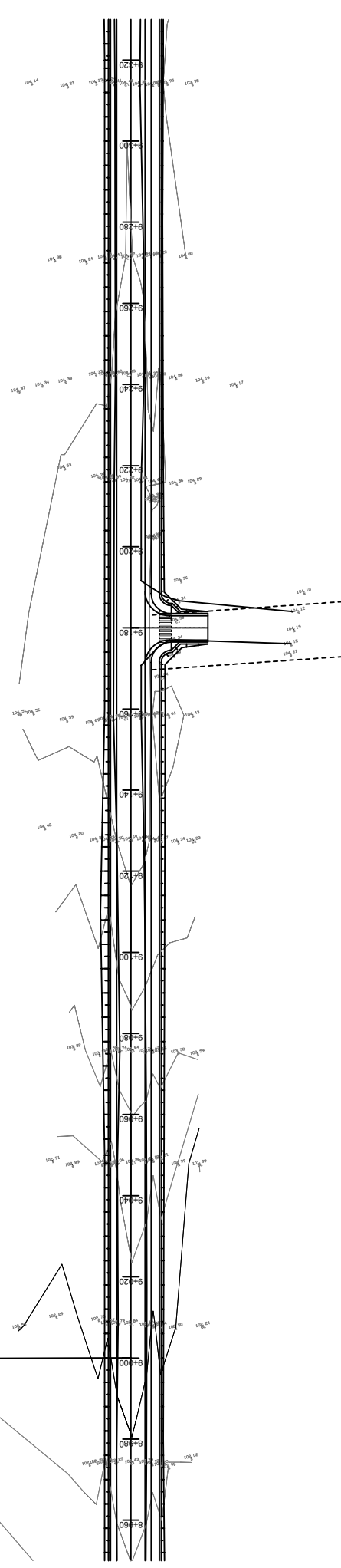


MINISTRY OF LOCAL GOVERNMENT AND HOUSING LUSAKA CITY COUNCIL	JAPAN INTERNATIONAL COOPERATION AGENCY KATAHIRA & ENGINEERS INTERNATIONAL	THE PREPARATORY SURVEY ON THE PROJECT FOR THE IMPROVEMENT OF THE LIVING ENVIRONMENT IN THE SOUTHERN AREA OF LUSAKA IN THE REPUBLIC OF ZAMBIA	TITLE: PLAN MINI BYPASS LINK - INNER RING RD - KASAMA RD -MOSI-OA-TUNYA JCT.-LS-WIFEZ (STA. 8+240 - STA. 8+600)	
			Drawing No. PL-I26	SCALE 1/1000
			DATE	Jan. 2011



MINISTRY OF LOCAL GOVERNMENT AND HOUSING LUSAKA CITY COUNCIL	JAPAN INTERNATIONAL COOPERATION AGENCY KATAHIRA & ENGINEERS INTERNATIONAL	THE PREPARATORY SURVEY ON THE PROJECT FOR THE IMPROVEMENT OF THE LIVING ENVIRONMENT IN THE SOUTHERN AREA OF LUSAKA IN THE REPUBLIC OF ZAMBIA	TITLE: MINI BYPASS LINK - INNER RING RD - KASAMA RD - MOSI-OA-TUNYA JCT. - LS-MEEZ (STA. 8+600 - STA. 8+960)	Drawing No.	PL-127
				SCALE	1/1000
				DATE	Jan. 2011

STA. 9+000

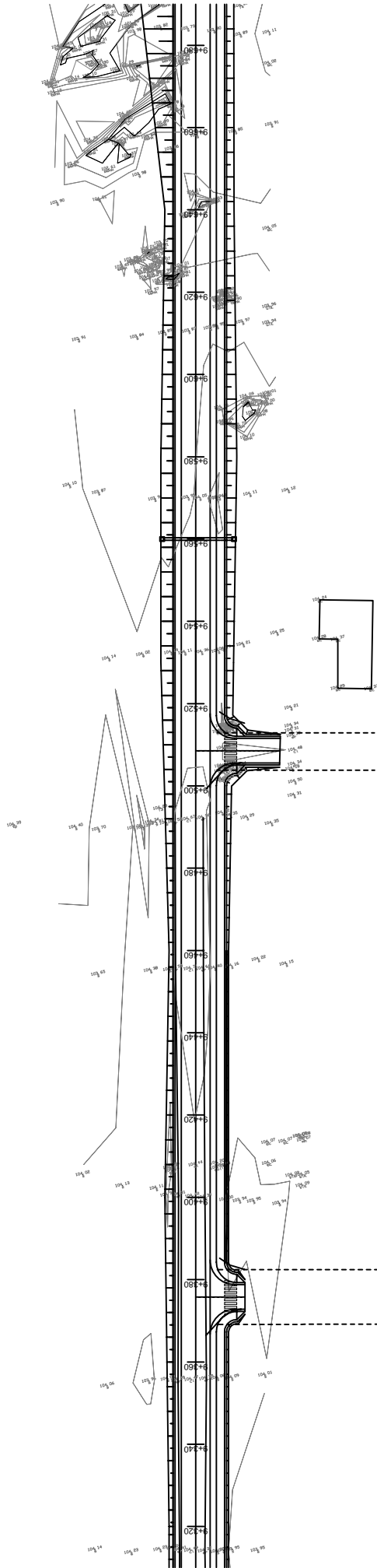


KS300A-70.70 KL 50A-800 KS300A-72.00 KS300A-92.20 KS300A-92.20 KS300A-800 KS300A-86
 SWI(Sp)2.00-74.00 KST50A-1]10 SWI(Sp)2.00-72.00 SWI(Sp)2.00-95.50 SWI(Sp)2.00-95.50 SWI(Sp)2.00-95.50 SWI(Sp)2.00-80.00
 KL350A-3.30 KL350A-3.30

DS-66.00 DS-72.00 DS-87.50 DS-87.50 DS-83

MINISTRY OF LOCAL GOVERNMENT AND HOUSING LUSAKA CITY COUNCIL	JAPAN INTERNATIONAL COOPERATION AGENCY KATAHIRA & ENGINEERS INTERNATIONAL	THE PREPARATORY SURVEY ON THE PROJECT FOR THE IMPROVEMENT OF THE LIVING ENVIRONMENT IN THE SOUTHERN AREA OF LUSAKA IN THE REPUBLIC OF ZAMBIA	PL-I28
			Drawing No.
			1/1000
			SCALE
			Jan. 2011
			DATE

DP600ac-16.80
 CB(C)700x700x1200



CB(C)700x700x1200

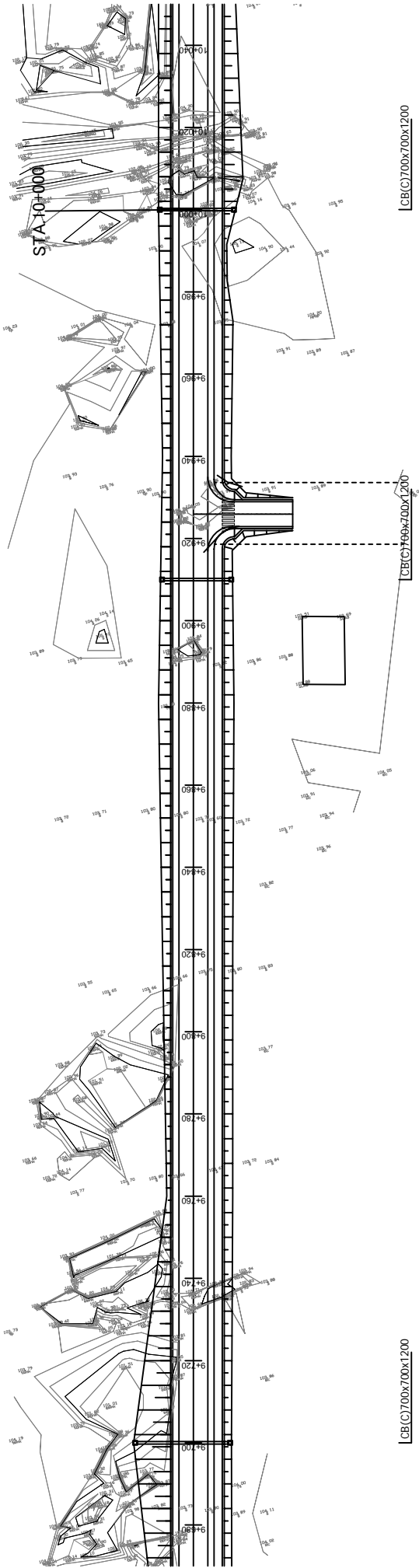
KS-300A-88.00	KS-300A-56.40	KL-50A-8.00	KS-300A-60.70	KL-350A-3.30	KS-300A-97.80	KL-50A-8.00	KS-300A-77.80
SW(SD)2.00-91.30	SW(SD)2.00-59.70	SW(SD)2.00-8.00	SW(SD)2.00-64.00	SW(SD)2.00-101.10	SW(SD)2.00-101.10	SW(SD)2.00-8.00	SW(SD)2.00-77.80
DS-83.30	DS-51.80	DS-56.10	DS-93.20	DS-77.80			

MINISTRY OF LOCAL GOVERNMENT AND HOUSING LUSAKA CITY COUNCIL	JAPAN INTERNATIONAL COOPERATION AGENCY KATAHIRA & ENGINEERS INTERNATIONAL	THE PREPARATORY SURVEY ON THE PROJECT FOR THE IMPROVEMENT OF THE LIVING ENVIRONMENT IN THE SOUTHERN AREA OF LUSAKA IN THE REPUBLIC OF ZAMBIA	TITLE: PLAN MINI BYPASS LINK - INNER RING RD - KASAMA RD -MOSI-OA-TUNYA JCT.-L-S-WFEZ (STA. 9+320 - STA. 9+680)	Drawing No.	PL-129
				SCALE	1/1000
				DATE	Jan. 2011

DP600ac-22.40
 CB(C)700x700x1200

DP600ac-16.10
 CB(C)700x700x1200

DP600ac-17.30
 CB(C)700x700x1200



[CB(C)700x700x1200
 KL 50A-800 KS300A-72.00
 KS 50A-1] 10 SW(SP)2.00x8.00 DS-72.00

[CB(C)700x700x1200
 KL 50A-800 KS300A-72.00
 KS 50A-1] 10 SW(SP)2.00x8.00 DS-72.00

[CB(C)700x700x1200
 KL 50A-800 KS300A-72.00
 KS 50A-1] 10 SW(SP)2.00x8.00 DS-72.00

[CB(C)700x700x1200
 KL 50A-800 KS300A-72.00
 KS 50A-1] 10 SW(SP)2.00x8.00 DS-72.00

[CB(C)700x700x1200
 KL 50A-800 KS300A-58.10
 KS 50A-1] 10 SW(SP)2.00x8.00 DS-53.50

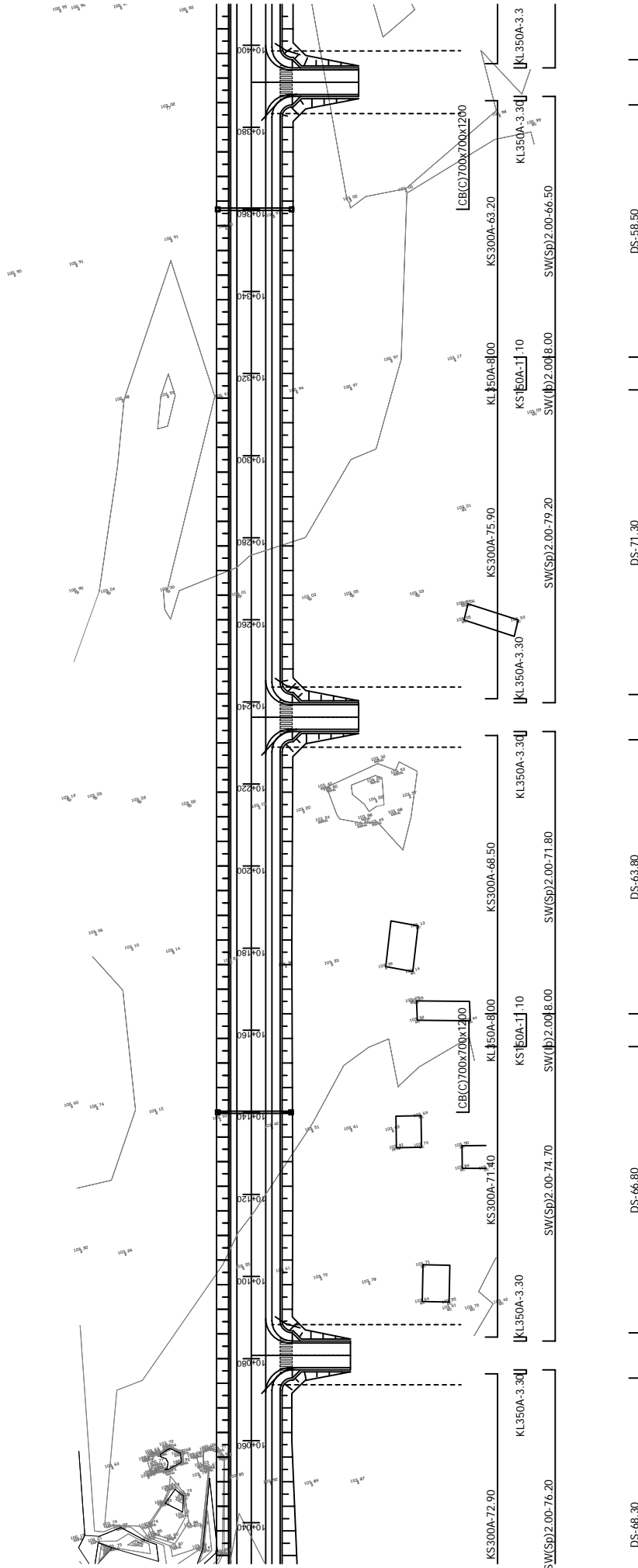
[CB(C)700x700x1200
 KL 50A-800 KS300A-66.20
 KS 50A-1] 10 SW(SP)2.00x8.00 DS-61.60

[CB(C)700x700x1200
 KL 50A-800 KS300A-72.90
 KS 50A-1] 10 SW(SP)2.00x8.00 DS-68.30

MINISTRY OF LOCAL GOVERNMENT AND HOUSING LUSAKA CITY COUNCIL	JAPAN INTERNATIONAL COOPERATION AGENCY KATAHIRA & ENGINEERS INTERNATIONAL	THE PREPARATORY SURVEY ON THE PROJECT FOR THE IMPROVEMENT OF THE LIVING ENVIRONMENT IN THE SOUTHERN AREA OF LUSAKA IN THE REPUBLIC OF ZAMBIA		DRAWING No. PL-130 SCALE 1/1000 DATE Jan. 2011
		TITLE: PLAN MINI BYPASS LINK - INNER RING RD - KASAMA RD -MOSI-OA-TUNYA JCT.-LS-WFEZ (STA. 9+680 ~ STA. 10+040)		

DP600ac-17.10
CB(C)700x700x1200

DP600ac-17.10
CB(C)700x700x1200

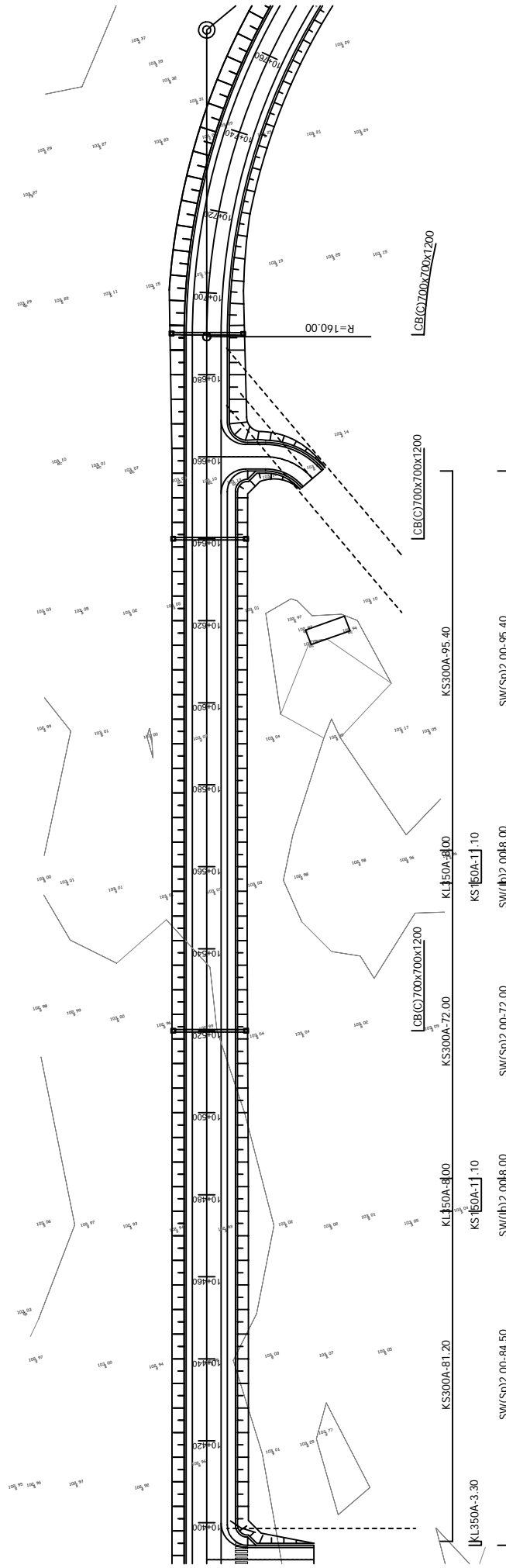


MINISTRY OF LOCAL GOVERNMENT AND HOUSING LUSAKA CITY COUNCIL	JAPAN INTERNATIONAL COOPERATION AGENCY KATAHIRA & ENGINEERS INTERNATIONAL	THE PREPARATORY SURVEY ON THE PROJECT FOR THE IMPROVEMENT OF THE LIVING ENVIRONMENT IN THE SOUTHERN AREA OF LUSAKA IN THE REPUBLIC OF ZAMBIA	PL-I31
			Drawing No.
			1/1000
			SCALE
			Jan. 2011
			DATE

DP600ac-17.10
CB(C)700x700x1200

DP600ac-17.00
CB(C)700x700x1200

DP600ac-16.80
CB(C)700x700x1200



KL350A-3.30
SW(Sp)2.00-84.50

KS300A-81.20
KL350A-8.00
KS300A-95.40

KL350A-11.10
SW(Sp)2.00-72.00

SW(Sp)2.00-95.40

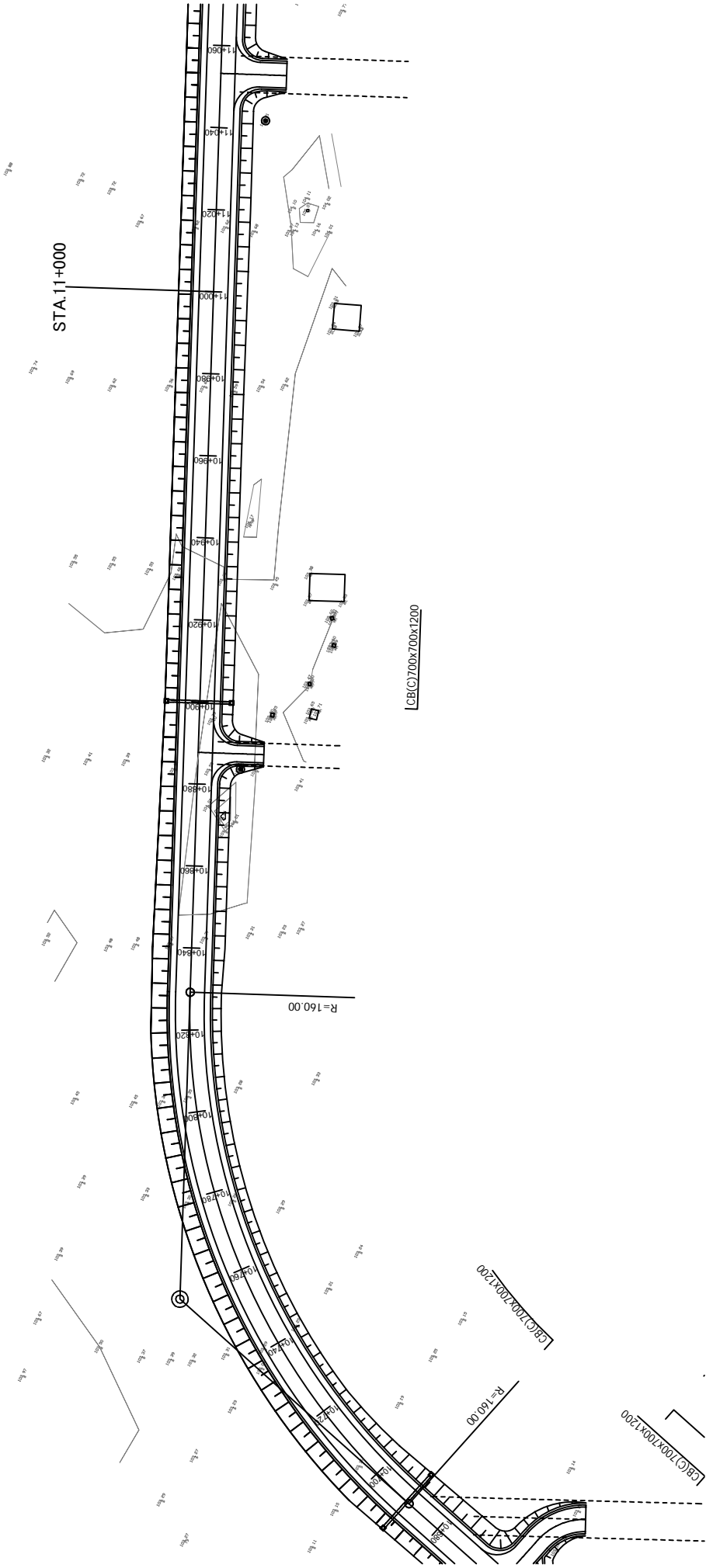
DS-76.60

DS-72.00

DS-87.50

MINISTRY OF LOCAL GOVERNMENT AND HOUSING LUSAKA CITY COUNCIL	JAPAN INTERNATIONAL COOPERATION AGENCY KATAHIRA & ENGINEERS INTERNATIONAL	THE PREPARATORY SURVEY ON THE PROJECT FOR THE IMPROVEMENT OF THE LIVING ENVIRONMENT IN THE SOUTHERN AREA OF LUSAKA IN THE REPUBLIC OF ZAMBIA	TITLE:	PLAN	PL-132
			MINI BYPASS LINK - INNER RING RD - KASAMA RD -MOSI-OA-TUNYA JCT.-L-S-WFEZ (STA. 10+400 - STA. 10+760)	SCALE	1/1000
			DATE		Jan. 2011

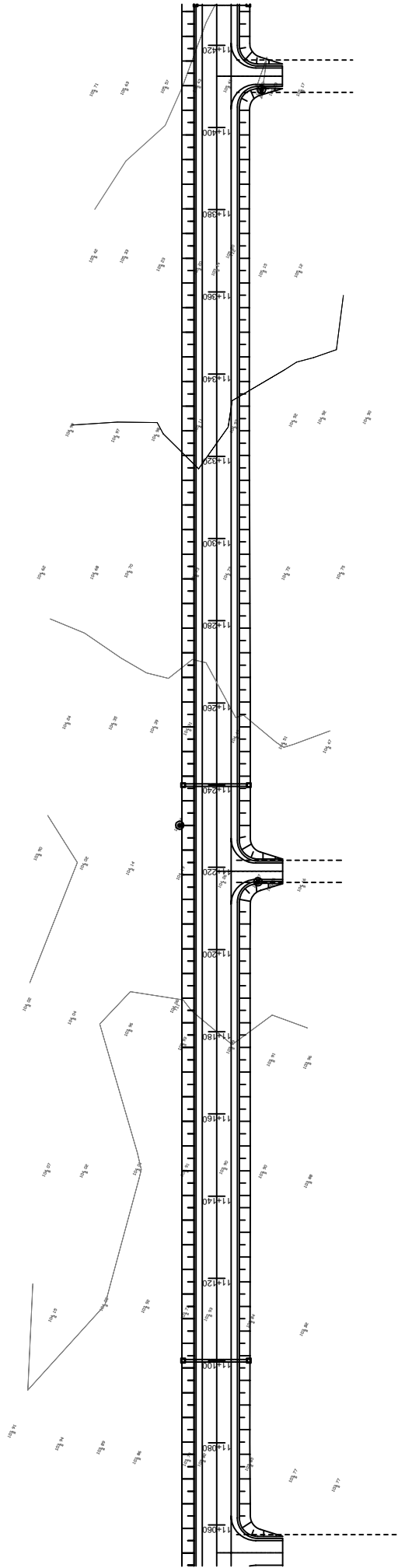
DP600ac-15.20
 CB(C)700x700x1200



MINISTRY OF LOCAL GOVERNMENT AND HOUSING LUSAKA CITY COUNCIL	JAPAN INTERNATIONAL COOPERATION AGENCY KATAHIRA & ENGINEERS INTERNATIONAL	THE PREPARATORY SURVEY ON THE PROJECT FOR THE IMPROVEMENT OF THE LIVING ENVIRONMENT IN THE SOUTHERN AREA OF LUSAKA IN THE REPUBLIC OF ZAMBIA	TITLE:	PLAN	Drawing No.	PL-133
				MINI BYPASS LINK - INNER RING RD - KASAMA RD -MOSI-OA-TUNYA JCT.-LS-WFEZ (STA. 10+760 - STA. 11+060)	SCALE	1/1000
					DATE	Jan. 2011

DP600ac-15.30
 CB(C)700x700x1200

DP600ac-15.30
 CB(C)700x700x1200



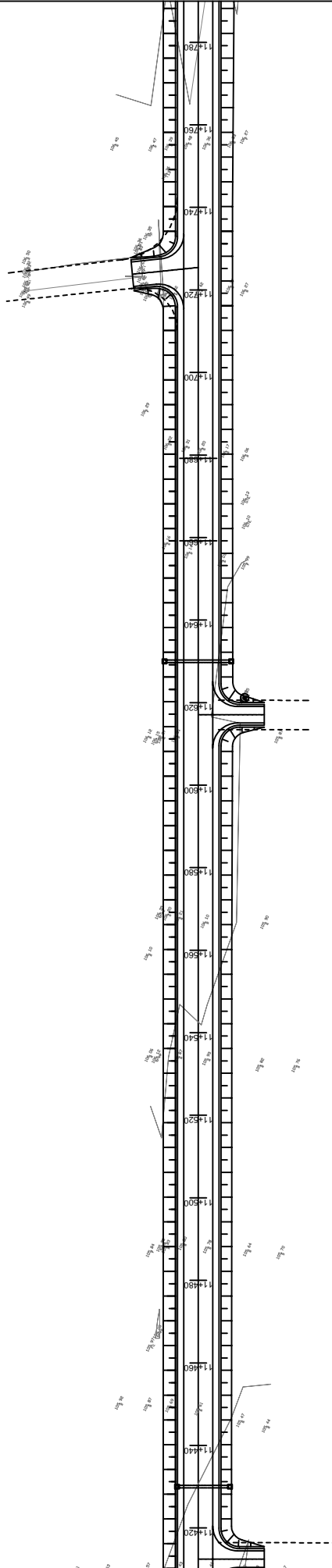
CB(C)700x700x1200

CB(C)700x700x1200

MINISTRY OF LOCAL GOVERNMENT AND HOUSING LUSAKA CITY COUNCIL	JAPAN INTERNATIONAL COOPERATION AGENCY KATAHIRA & ENGINEERS INTERNATIONAL	THE PREPARATORY SURVEY ON THE PROJECT FOR THE IMPROVEMENT OF THE LIVING ENVIRONMENT IN THE SOUTHERN AREA OF LUSAKA IN THE REPUBLIC OF ZAMBIA	TITLE: PLAN MINI BYPASS LINK - INNER RING RD - KASAMA RD - MOSI-OA-TUNYA JCT. - LS-WFEZ (STA. 11+060 - STA. 11+420)	Drawing No.	PL-134
				SCALE	1/1000
				DATE	Jan. 2011

DP600ac-12.10
CB(C)700x700x1200

DP600ac-15.50
CB(C)700x700x1200



CB(C)700x700x1200

CB(C)700x700x1200

MINISTRY OF LOCAL GOVERNMENT AND HOUSING LUSAKA CITY COUNCIL	JAPAN INTERNATIONAL COOPERATION AGENCY KATAHIRA & ENGINEERS INTERNATIONAL	THE PREPARATORY SURVEY ON THE PROJECT FOR THE IMPROVEMENT OF THE LIVING ENVIRONMENT IN THE SOUTHERN AREA OF LUSAKA IN THE REPUBLIC OF ZAMBIA	TITLE: MINI BYPASS LINK - INNER RING RD - KASAMA RD - MOSI-OA-TUNYA JCT. - LS-WIFEZ (STA. 11+420 - STA. 11+780)	Drawing No.	PL-135
				SCALE	1/1000
				DATE	Jan. 2011

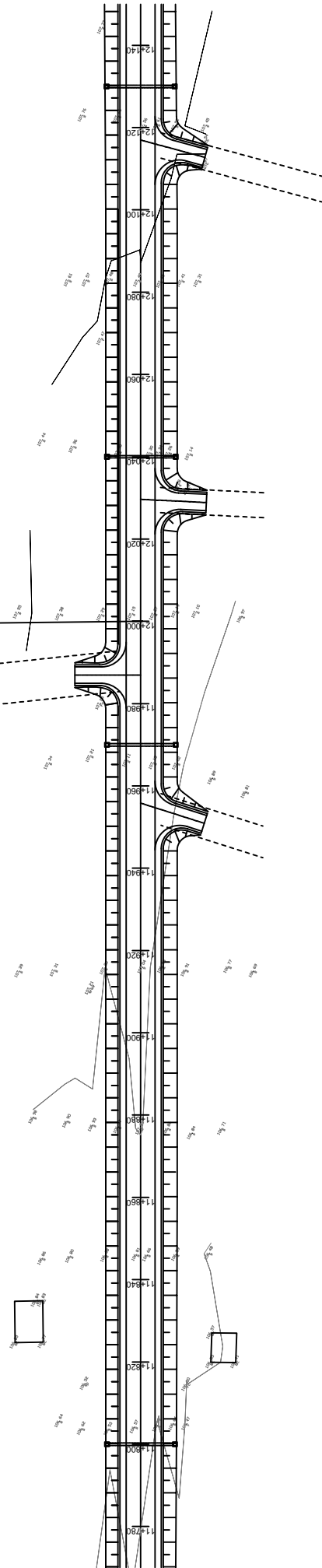
DP600ac-15.80
 CB(C)700x700x1200

DP600ac-16.00
 CB(C)700x700x1200

DP600ac-16.00
 CB(C)700x700x1200

DP600ac-15.90
 CB(C)700x700x

STA. 12+000



CB(C)700x700x1200

CB(C)700x700x1200

CB(C)700x700x1200

CB(C)700x700x

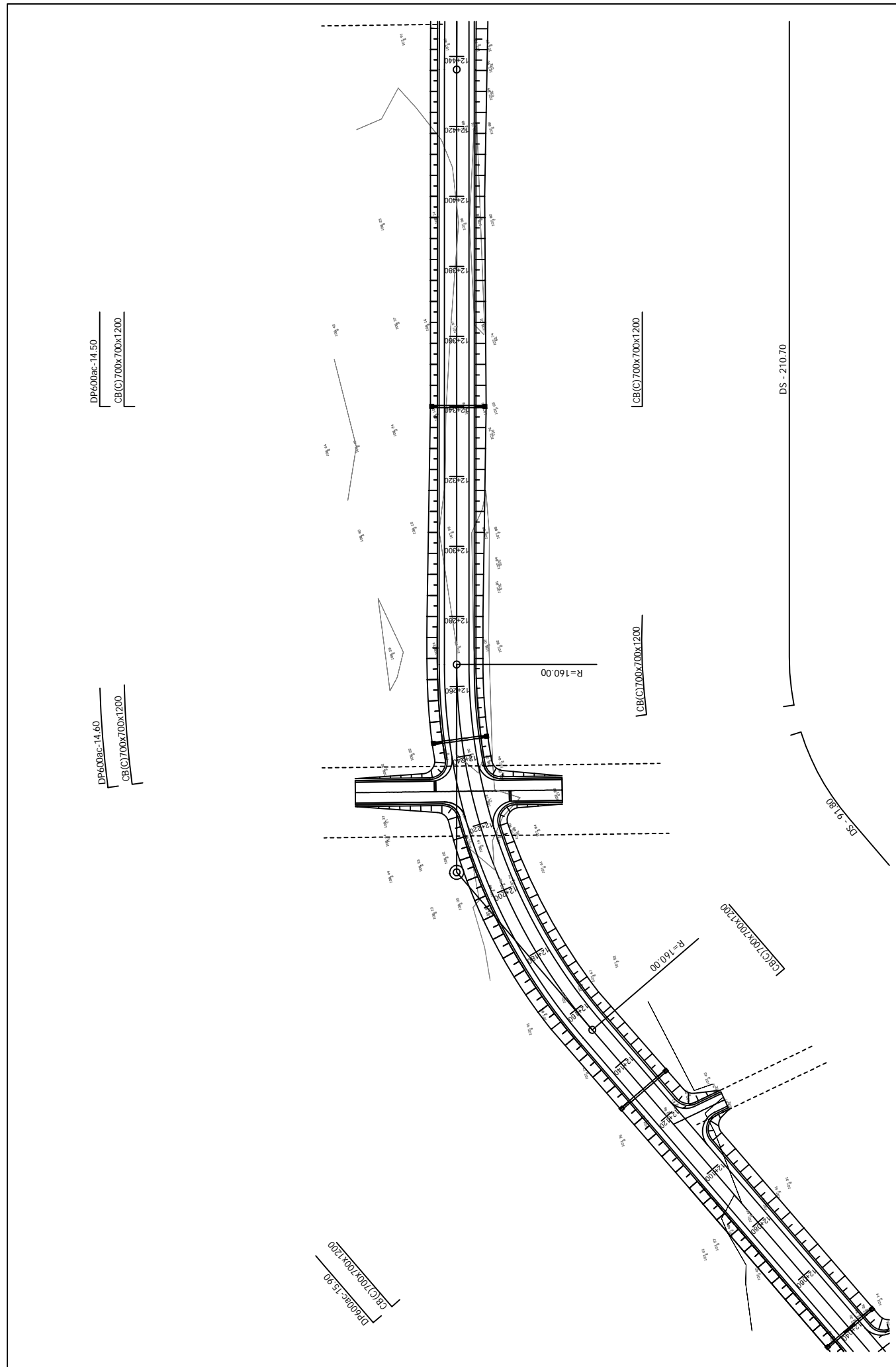
DS - 44.50

DS - 60.60

DS - 69.00

DS

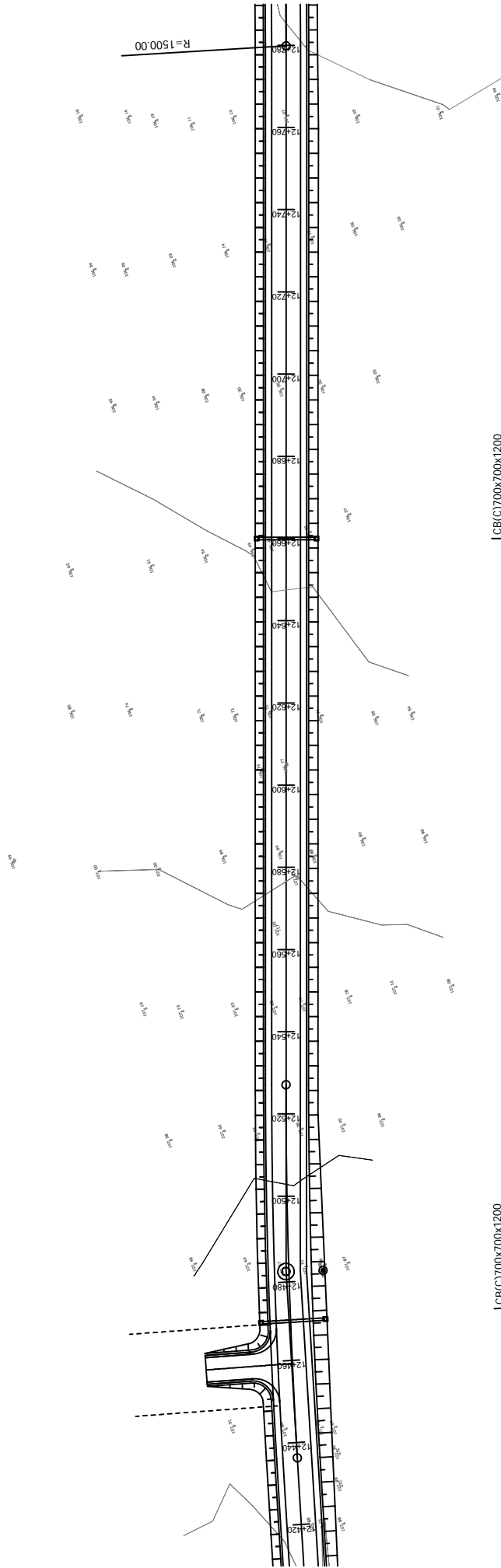
MINISTRY OF LOCAL GOVERNMENT AND HOUSING LUSAKA CITY COUNCIL	JAPAN INTERNATIONAL COOPERATION AGENCY KATAHIRA & ENGINEERS INTERNATIONAL	THE PREPARATORY SURVEY ON THE PROJECT FOR THE IMPROVEMENT OF THE LIVING ENVIRONMENT IN THE SOUTHERN AREA OF LUSAKA IN THE REPUBLIC OF ZAMBIA		PL-136
		TITLE: MINI BYPASS LINK - INNER RING RD - KASAMA RD - MOSI-OA-TUNYA JCT. - LS-WIFEZ (STA. 11+780 - STA. 12+140)		1/1000
			DRAWING No.	Jan. 2011
			SCALE	
			DATE	



<p>MINISTRY OF LOCAL GOVERNMENT AND HOUSING LUSAKA CITY COUNCIL</p>	<p>JAPAN INTERNATIONAL COOPERATION AGENCY KATAHIRA & ENGINEERS INTERNATIONAL</p>	<p>THE PREPARATORY SURVEY ON THE PROJECT FOR THE IMPROVEMENT OF THE LIVING ENVIRONMENT IN THE SOUTHERN AREA OF LUSAKA IN THE REPUBLIC OF ZAMBIA</p>	<p>TITLE: PLAN MINI BYPASS LINK - INNER RING RD - KASAMA RD -MOSI-OA-TUNYA JCT.-LS-WFEZ (STA. 12+140 - STA. 12+440)</p>	<p>Drawing No. PL-137 SCALE 1/1000 DATE Jan. 2011</p>
---	--	---	---	---

DP600ac-15.00
CB(C)700x700x1200

DP600ac-13.90
CB(C)700x700x1200



CB(C)700x700x1200

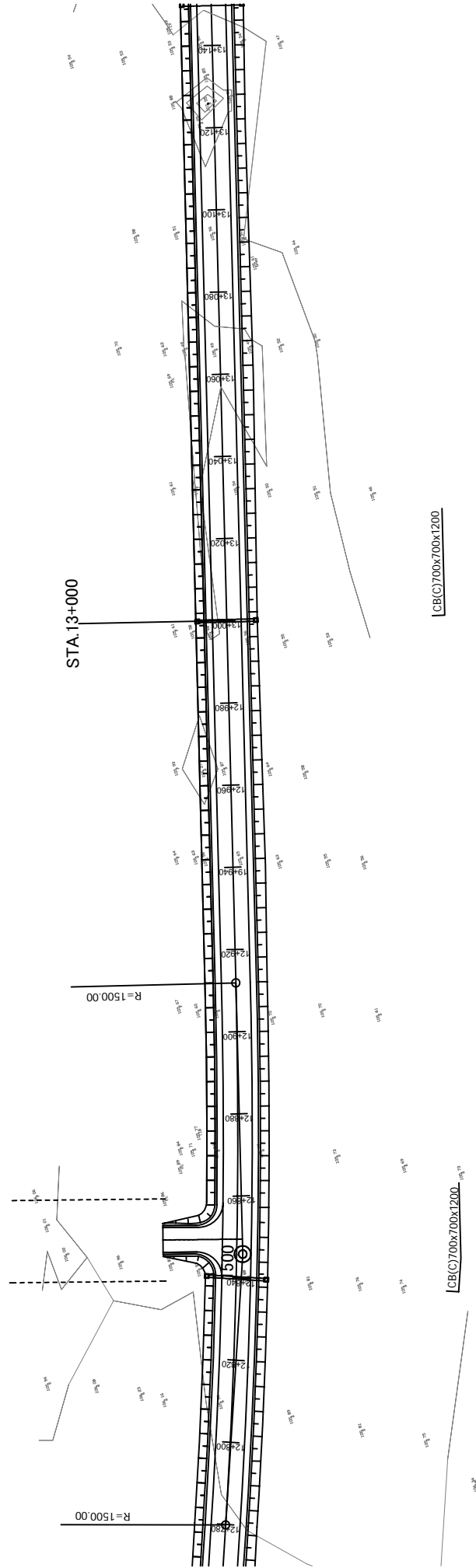
CB(C)700x700x1200

MINISTRY OF LOCAL GOVERNMENT AND HOUSING LUSAKA CITY COUNCIL	JAPAN INTERNATIONAL COOPERATION AGENCY KATAHIRA & ENGINEERS INTERNATIONAL	THE PREPARATORY SURVEY ON THE PROJECT FOR THE IMPROVEMENT OF THE LIVING ENVIRONMENT IN THE SOUTHERN AREA OF LUSAKA IN THE REPUBLIC OF ZAMBIA	TITLE:	PLAN	Drawing No.	PL-138
			MINI BYPASS LINK - INNER RING RD - KASAMA RD - MOSI-OA-TUNYA JCT. - LS-MFEZ (STA. 12+440 - STA. 12+780)	SCALE	1/1000	
			DATE			Jan. 2011

L
C
L

DP600ac-13.50
CB(C)700x700x1200

DP600ac-13.80
CB(C)700x700x1200



CB(C)700x700x1200

CB(C)700x700x1200

MINISTRY OF LOCAL GOVERNMENT AND HOUSING LUSAKA CITY COUNCIL	JAPAN INTERNATIONAL COOPERATION AGENCY KATAHIRA & ENGINEERS INTERNATIONAL	THE PREPARATORY SURVEY ON THE PROJECT FOR THE IMPROVEMENT OF THE LIVING ENVIRONMENT IN THE SOUTHERN AREA OF LUSAKA IN THE REPUBLIC OF ZAMBIA	TITLE:	PLAN	Drawing No.	PL-139
			MINI BYPASS LINK - INNER RING RD - KASAMA RD - MOSI-OA-TUNYA JCT. - LS-WFEZ (STA. 12+780 - STA. 13+140)	SCALE	1/1000	
			DATE			Jan. 2011

DP600ac-13.90

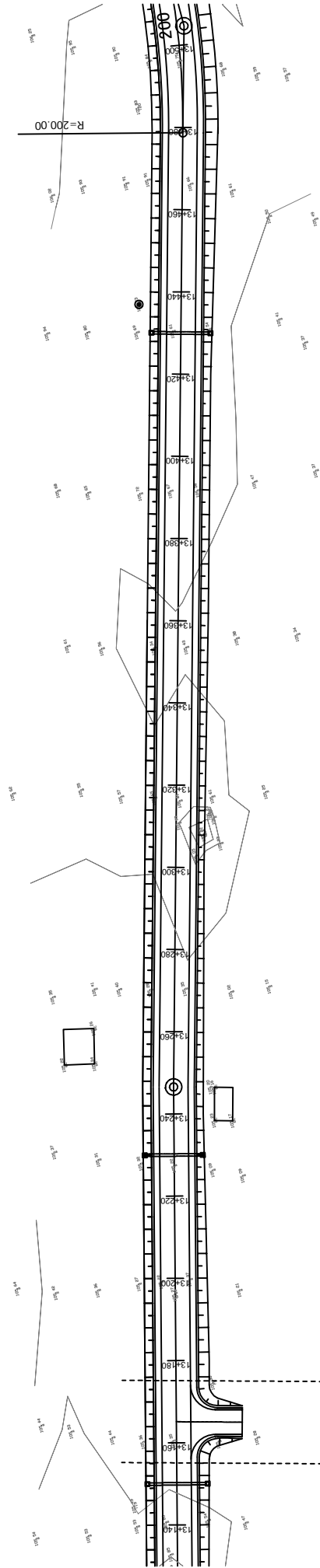
CB(C)700x700x1200

DP600ac-13.40

CB(C)700x700x1200

DP600ac-13.60

CB(C)700x700x1200



CB(C)700x700x1200

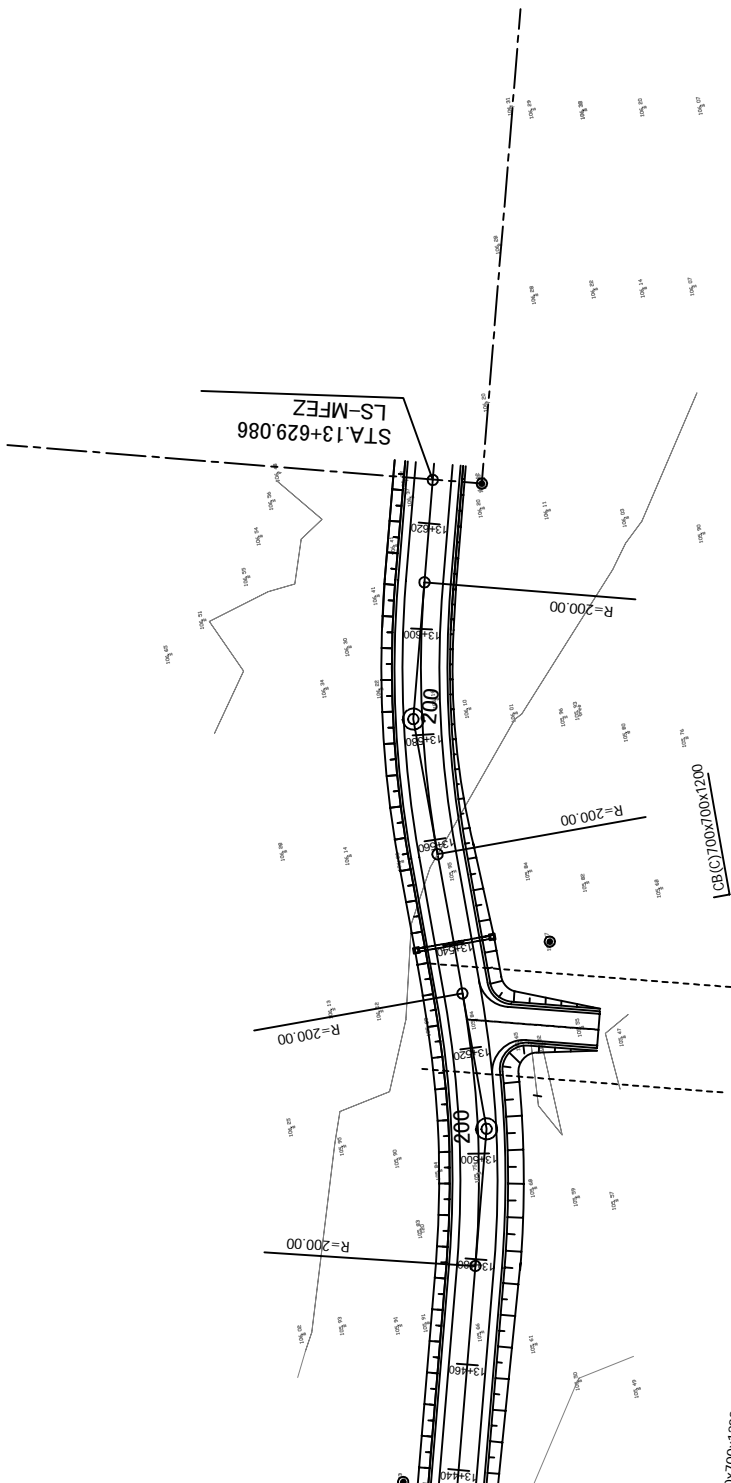
CB(C)700x700x1200

CB(C)700x700x1200

MINISTRY OF LOCAL GOVERNMENT AND HOUSING LUSAKA CITY COUNCIL	JAPAN INTERNATIONAL COOPERATION AGENCY KATAHIRA & ENGINEERS INTERNATIONAL	THE PREPARATORY SURVEY ON THE PROJECT FOR THE IMPROVEMENT OF THE LIVING ENVIRONMENT IN THE SOUTHERN AREA OF LUSAKA IN THE REPUBLIC OF ZAMBIA	TITLE: PLAN MINI BYPASS LINK - INNER RING RD - KASAMA RD -MOSI-OA-TUNYA JCT.-LS-WFEZ (STA. 13+140 - STA. 13+480)	Drawing No.	PL-140
				SCALE	1/1000
				DATE	Jan. 2011

DP600ac-13.90
 CB(C)700x700x1200

DP600ac-13.60
 CB(C)700x700x1200



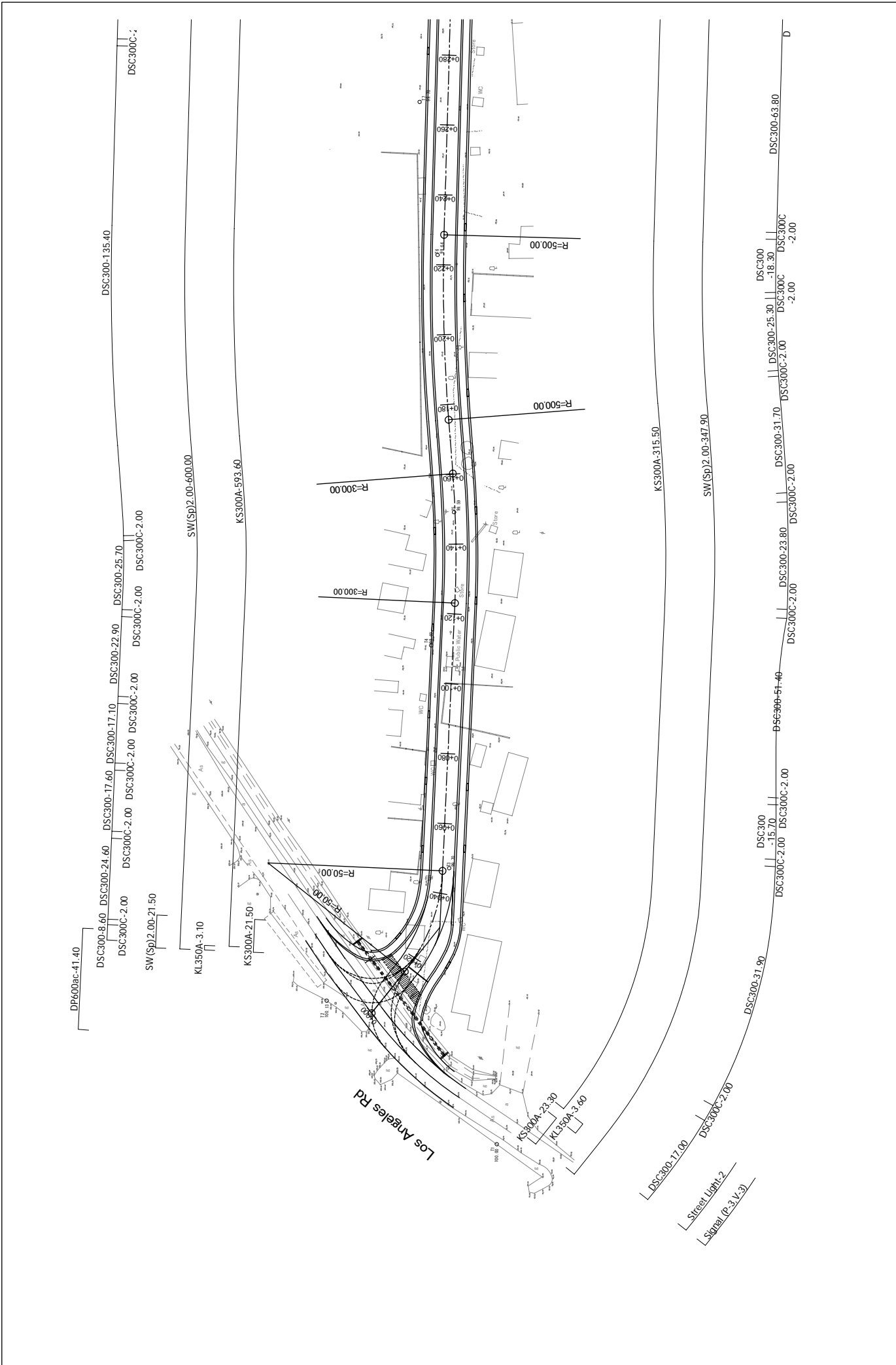
1:200

1:1000

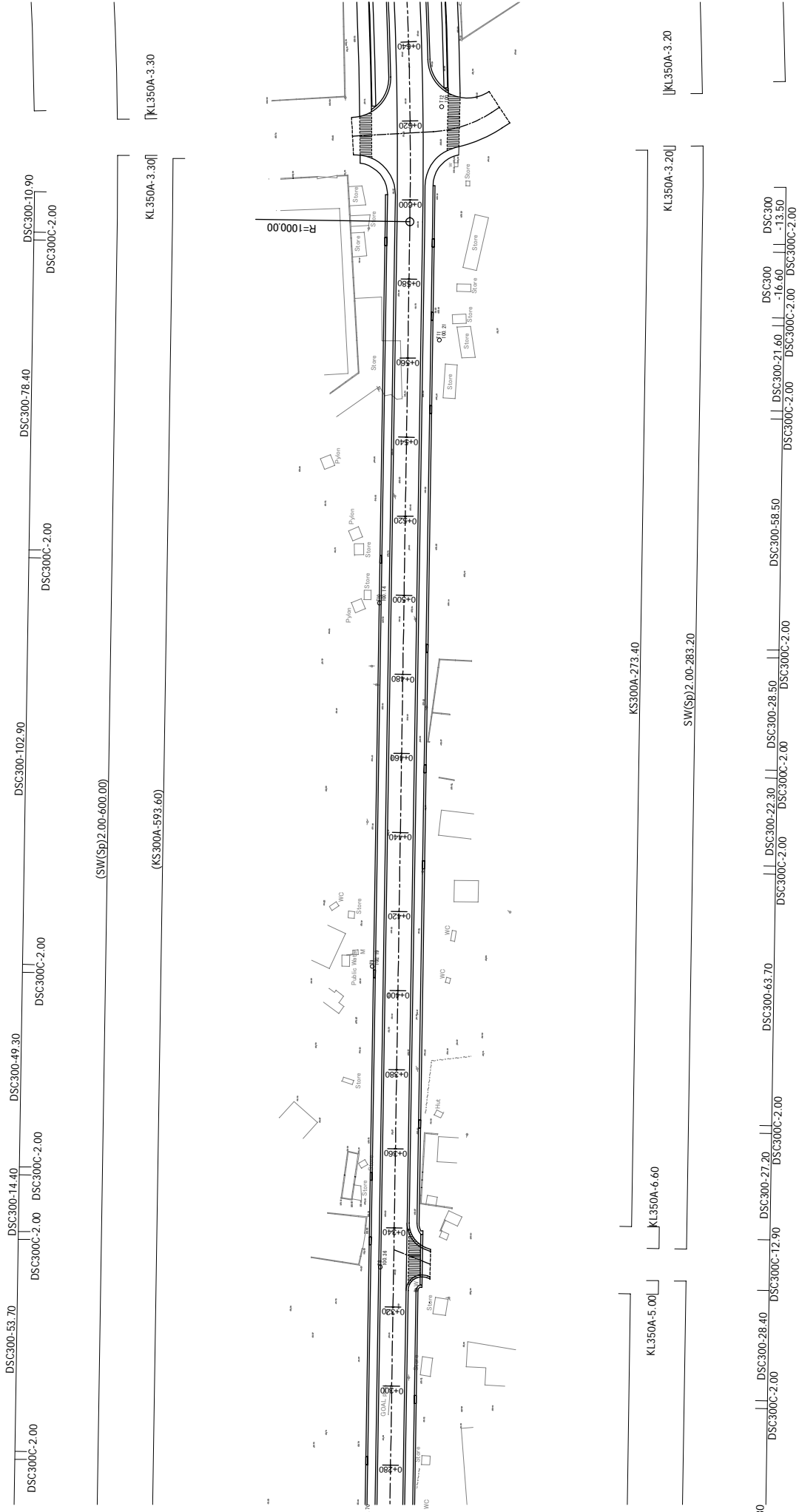
1:200

1:200

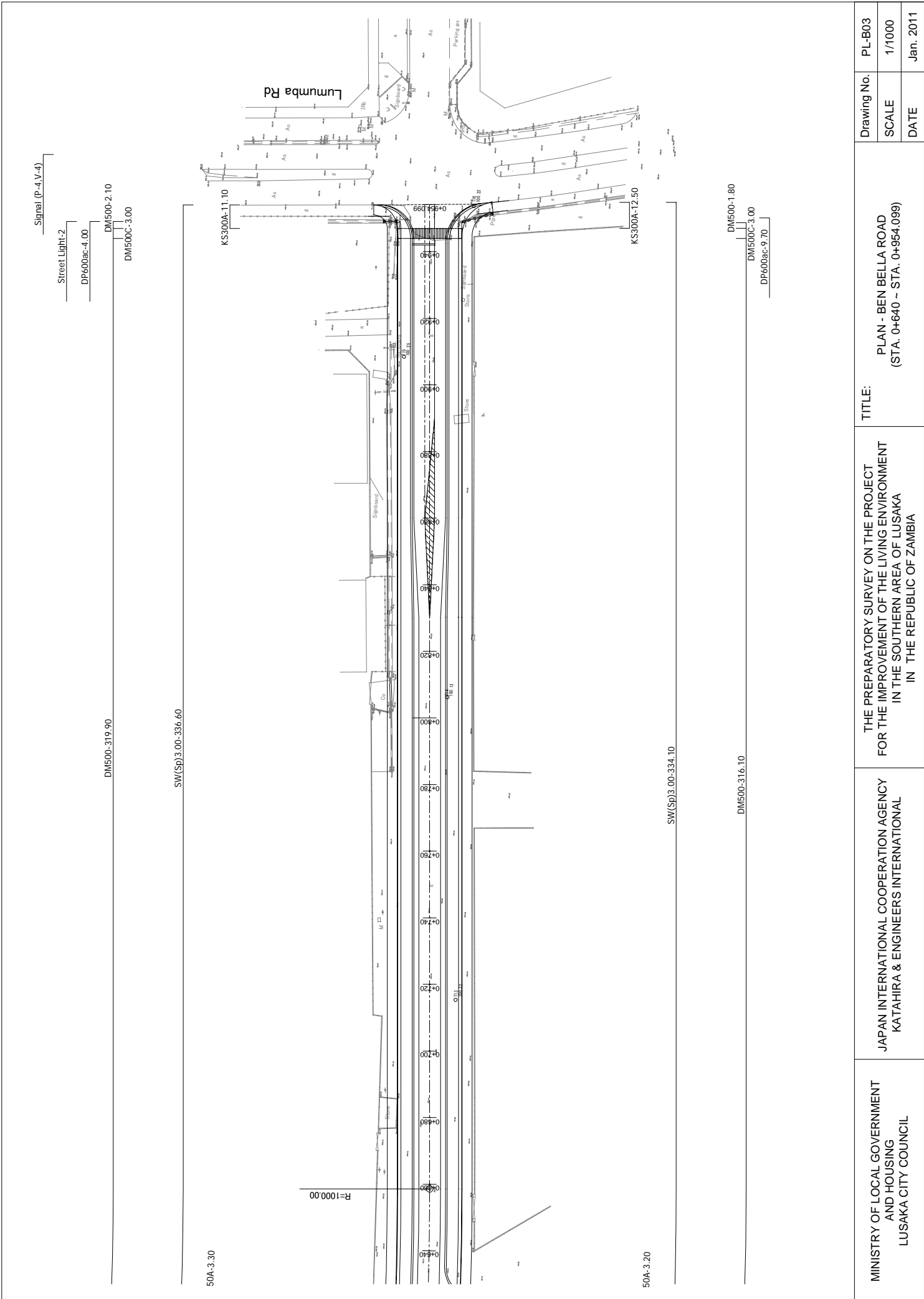
MINISTRY OF LOCAL GOVERNMENT AND HOUSING LUSAKA CITY COUNCIL	JAPAN INTERNATIONAL COOPERATION AGENCY KATAHIRA & ENGINEERS INTERNATIONAL	THE PREPARATORY SURVEY ON THE PROJECT FOR THE IMPROVEMENT OF THE LIVING ENVIRONMENT IN THE SOUTHERN AREA OF LUSAKA IN THE REPUBLIC OF ZAMBIA	TITLE: PLAN MINI BYPASS LINK - INNER RING RD - KASAMA RD-MOST-OA-TUNYA JCT.-LS-MFEZ (STA. 13+480 ~ STA. 13+629.086)	Drawing No.	PL-I41
				SCALE	1/1000
				DATE	Jan. 2011



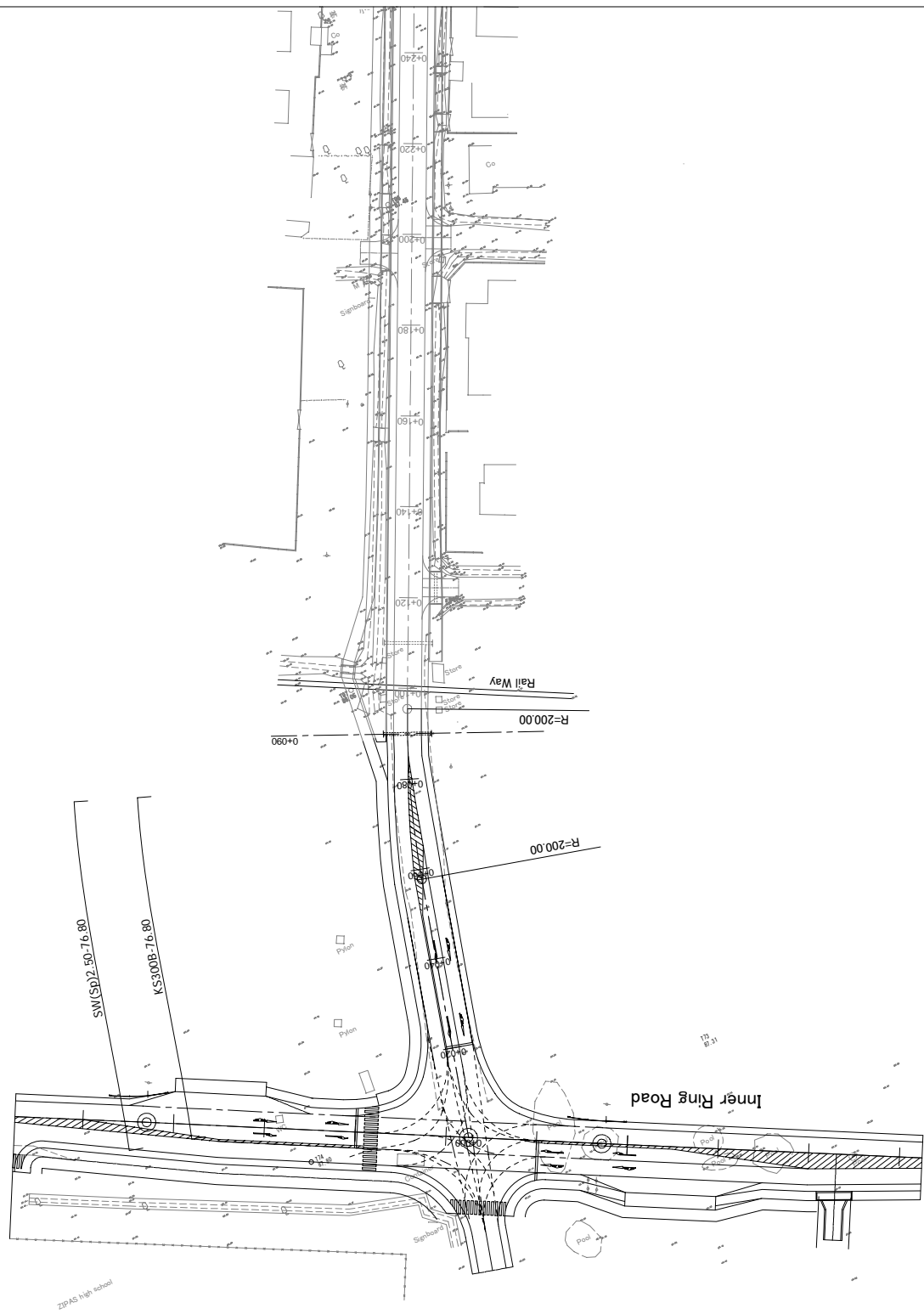
<p>MINISTRY OF LOCAL GOVERNMENT AND HOUSING LUSAKA CITY COUNCIL</p>	<p>JAPAN INTERNATIONAL COOPERATION AGENCY KATAHIRA & ENGINEERS INTERNATIONAL</p>	<p>TITLE: THE PREPARATORY SURVEY ON THE PROJECT FOR THE IMPROVEMENT OF THE LIVING ENVIRONMENT IN THE SOUTHERN AREA OF LUSAKA IN THE REPUBLIC OF ZAMBIA</p>	<p>Drawing No. SCALE DATE</p>	<p>PL-B01 1/1000 Jan. 2011</p>
---	--	--	---------------------------------------	--



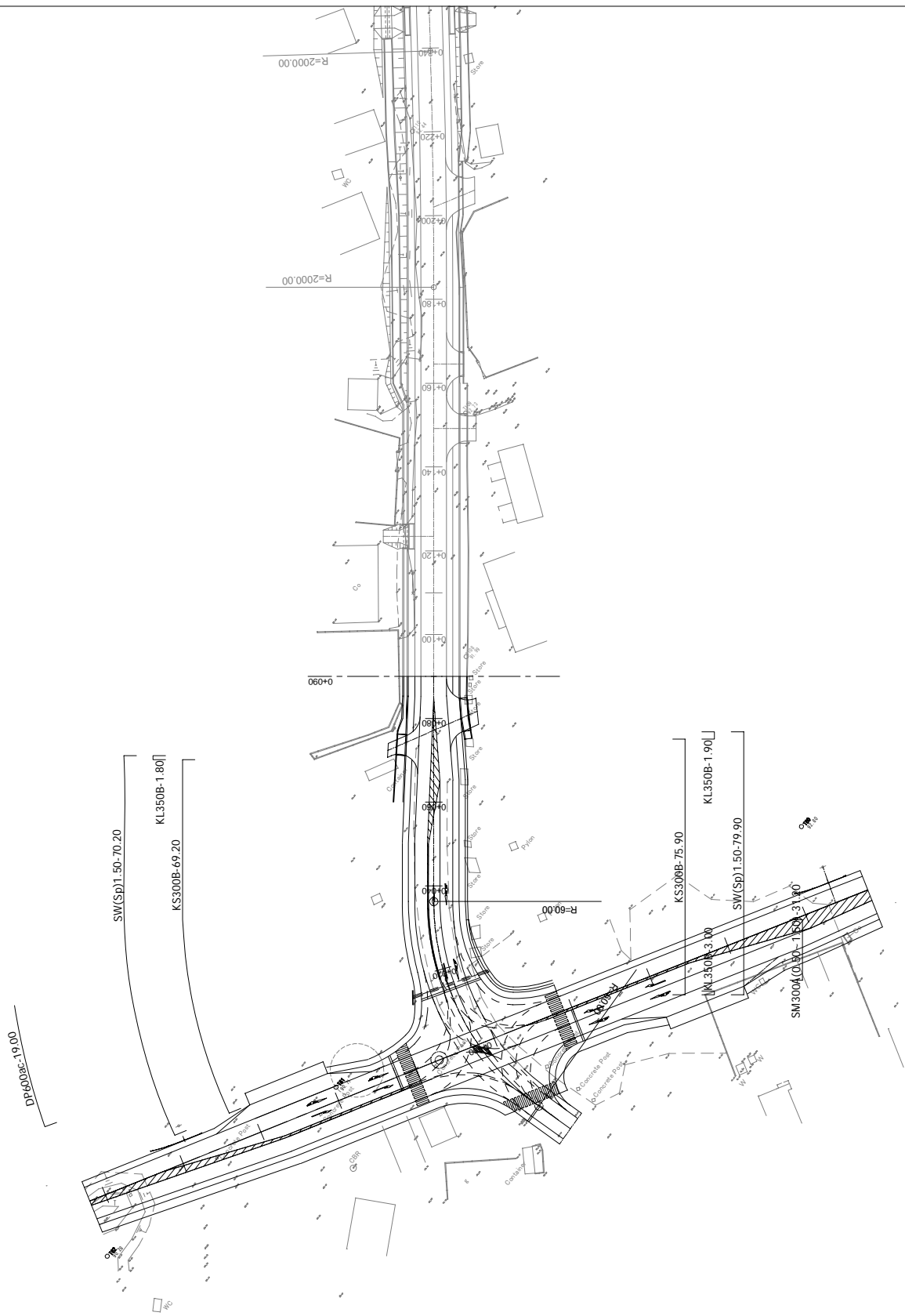
MINISTRY OF LOCAL GOVERNMENT AND HOUSING LUSAKA CITY COUNCIL	JAPAN INTERNATIONAL COOPERATION AGENCY KATAHIRA & ENGINEERS INTERNATIONAL	THE PREPARATORY SURVEY ON THE PROJECT FOR THE IMPROVEMENT OF THE LIVING ENVIRONMENT IN THE SOUTHERN AREA OF LUSAKA IN THE REPUBLIC OF ZAMBIA	TITLE:	PLAN - BEN BELLA ROAD (STA. 0+280 ~ STA. 0+640)	Drawing No.	PL-B02
				SCALE	1/1000	
				DATE		Jan. 2011



MINISTRY OF LOCAL GOVERNMENT AND HOUSING LUSAKA CITY COUNCIL	JAPAN INTERNATIONAL COOPERATION AGENCY KATAHIRA & ENGINEERS INTERNATIONAL	THE PREPARATORY SURVEY ON THE PROJECT FOR THE IMPROVEMENT OF THE LIVING ENVIRONMENT IN THE SOUTHERN AREA OF LUSAKA IN THE REPUBLIC OF ZAMBIA	TITLE:	PLAN - BEN BELLA ROAD (STA. 0+640 ~ STA. 0+954.099)	Drawing No.	PL-B03
					SCALE	1/1000
					DATE	Jan. 2011



MINISTRY OF LOCAL GOVERNMENT AND HOUSING LUSAKA CITY COUNCIL	JAPAN INTERNATIONAL COOPERATION AGENCY KATAHIRA & ENGINEERS INTERNATIONAL	THE PREPARATORY SURVEY ON THE PROJECT FOR THE IMPROVEMENT OF THE LIVING ENVIRONMENT IN THE SOUTHERN AREA OF LUSAKA IN THE REPUBLIC OF ZAMBIA	TITLE: INTERSECTION PLAN (1) CHIBWA ROAD	Drawing No.	IS-01
				SCALE	1/1000
				DATE	Jan. 2011



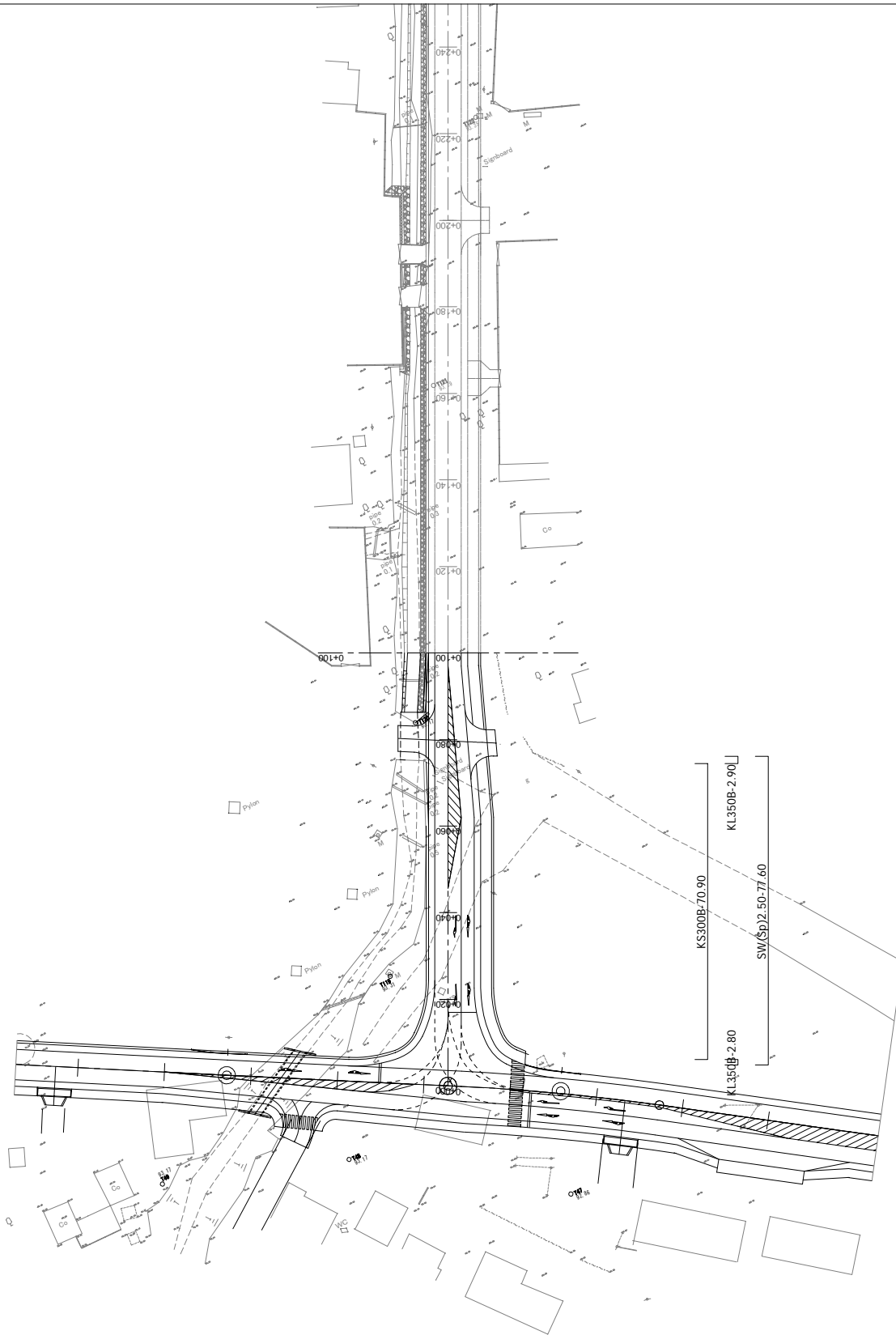
Drawing No.	IS-02
SCALE	1/1000
DATE	Jan. 2011

TITLE:
 INTERSECTION PLAN (2)
 NATIONALIST ROAD

THE PREPARATORY SURVEY ON THE PROJECT
 FOR THE IMPROVEMENT OF THE LIVING ENVIRONMENT
 IN THE SOUTHERN AREA OF LUSAKA
 IN THE REPUBLIC OF ZAMBIA

JAPAN INTERNATIONAL COOPERATION AGENCY
 KATAHIRA & ENGINEERS INTERNATIONAL

MINISTRY OF LOCAL GOVERNMENT
 AND HOUSING
 LUSAKA CITY COUNCIL



Drawing No.	IS-03
SCALE	1/1000
DATE	Jan. 2011

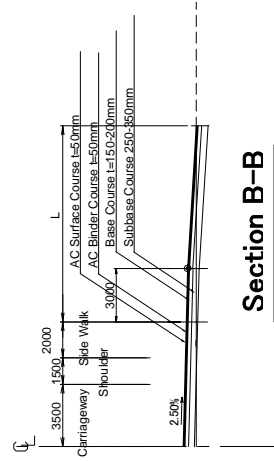
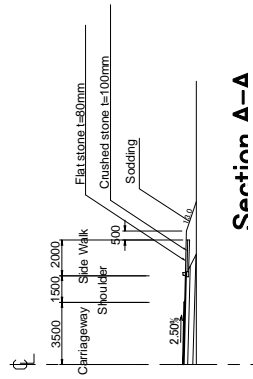
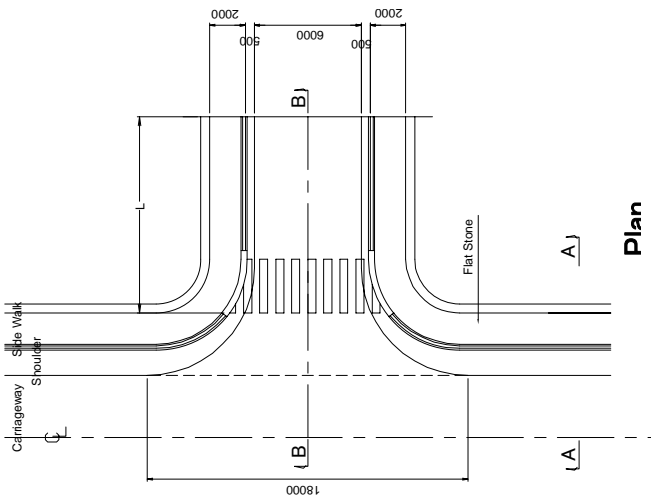
TITLE:
INTERSECTION PLAN (3)
YOTAM MULEYA ROAD

THE PREPARATORY SURVEY ON THE PROJECT
FOR THE IMPROVEMENT OF THE LIVING ENVIRONMENT
IN THE SOUTHERN AREA OF LUSAKA
IN THE REPUBLIC OF ZAMBIA

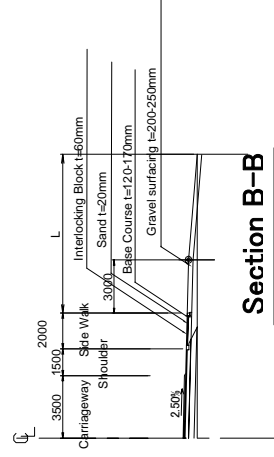
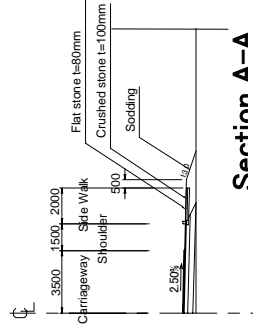
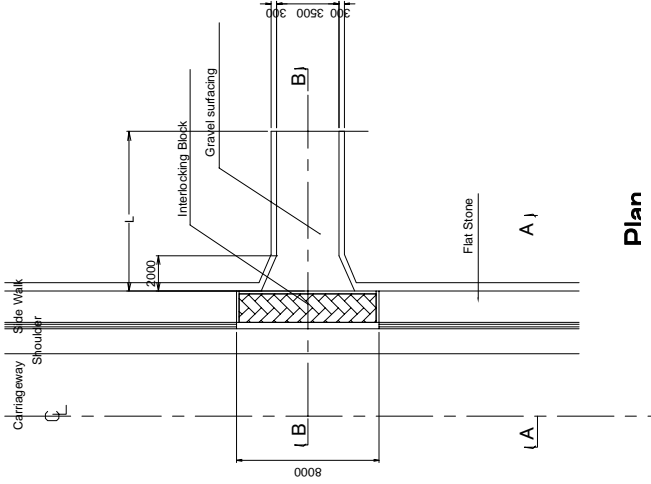
JAPAN INTERNATIONAL COOPERATION AGENCY
KATAHIRA & ENGINEERS INTERNATIONAL

MINISTRY OF LOCAL GOVERNMENT
AND HOUSING
LUSAKA CITY COUNCIL

Intersection Type



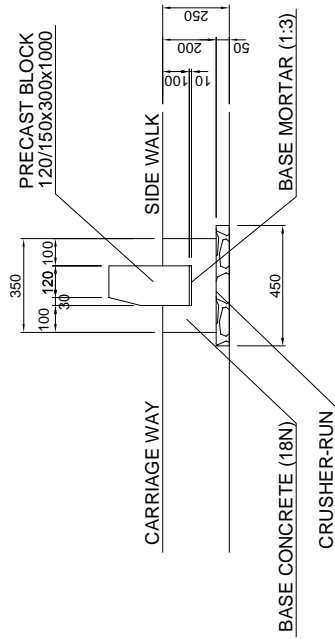
Access Way Type



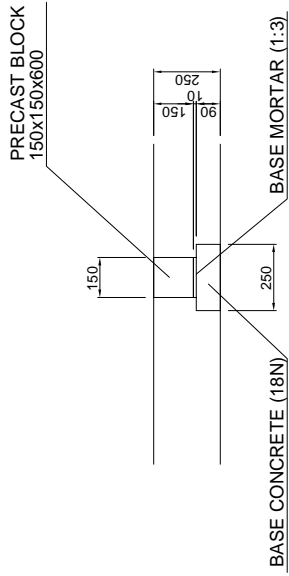
MINISTRY OF LOCAL GOVERNMENT AND HOUSING LUSAKA CITY COUNCIL	JAPAN INTERNATIONAL COOPERATION AGENCY KATAHIRA & ENGINEERS INTERNATIONAL	THE PREPARATORY SURVEY ON THE PROJECT FOR THE IMPROVEMENT OF THE LIVING ENVIRONMENT IN THE SOUTHERN AREA OF LUSAKA IN THE REPUBLIC OF ZAMBIA	TITLE: ACCESS WAY		Drawing No.	AC-01
					SCALE	1/300
					DATE	Jan. 2011

KERB STONE

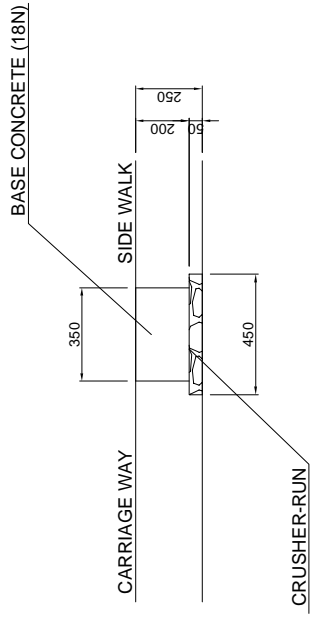
KS300A



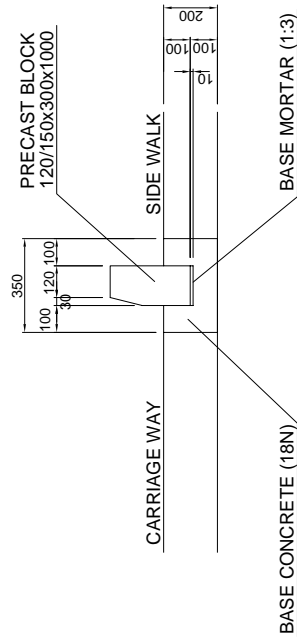
KS150A



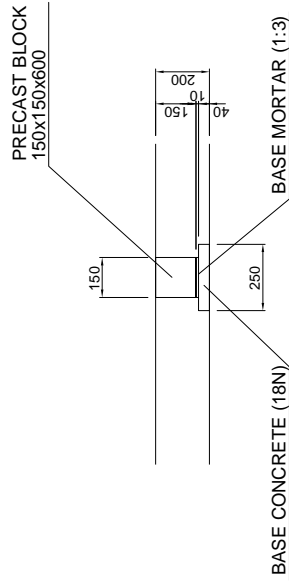
KL350A



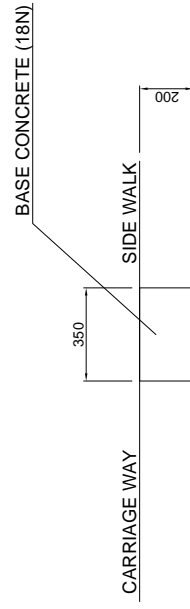
KS300B



KS150B

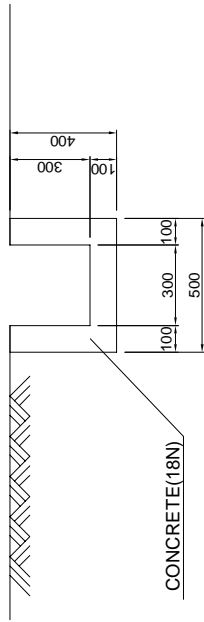


KL350B

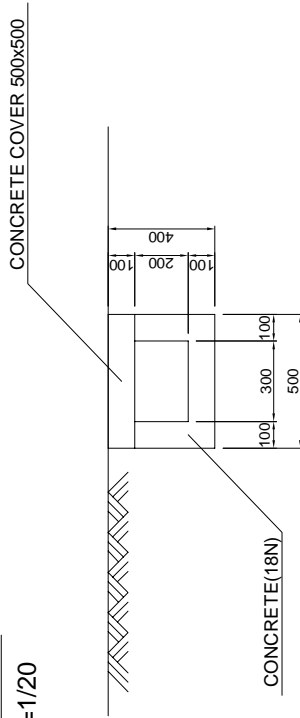


MINISTRY OF LOCAL GOVERNMENT AND HOUSING LUSAKA CITY COUNCIL	JAPAN INTERNATIONAL COOPERATION AGENCY KATAHIRA & ENGINEERS INTERNATIONAL	THE PREPARATORY SURVEY ON THE PROJECT FOR THE IMPROVEMENT OF THE LIVING ENVIRONMENT IN THE SOUTHERN AREA OF LUSAKA IN THE REPUBLIC OF ZAMBIA	TITLE: KERB STONE	Drawing No.	KS-01
				SCALE	1/20
				DATE	Jan. 2011

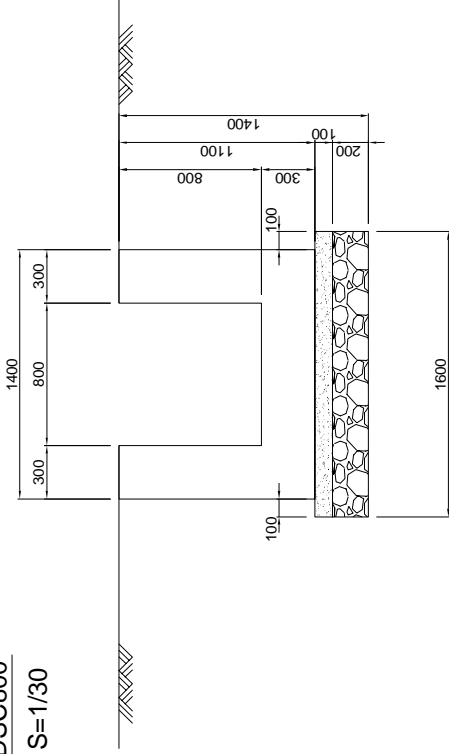
DSC300
S=1/20



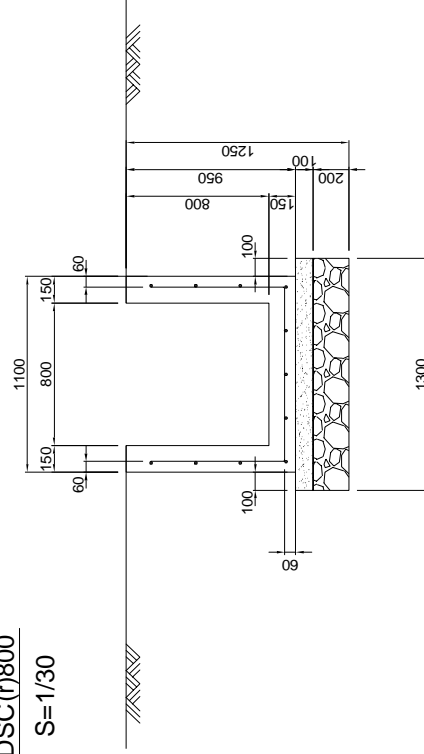
DSC300C
S=1/20



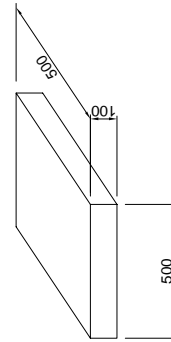
DSC800
S=1/30



DSC(r)800
S=1/30

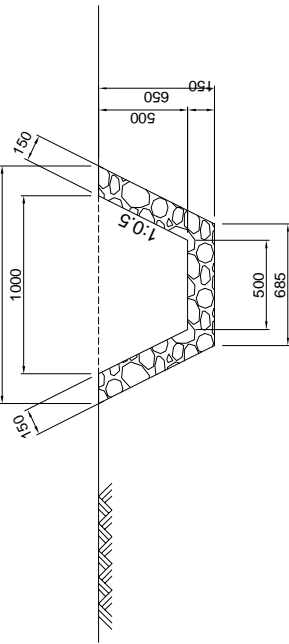


CONCRETE COVER 500x500

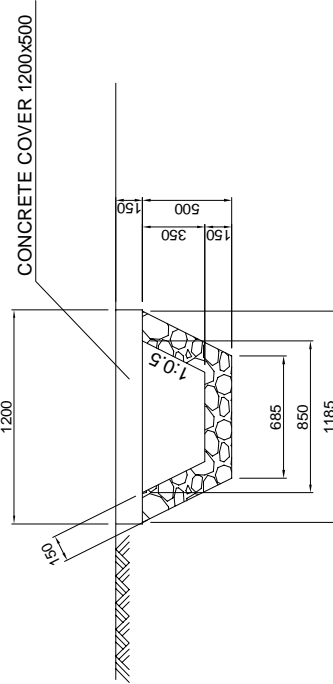


MINISTRY OF LOCAL GOVERNMENT AND HOUSING LUSAKA CITY COUNCIL	JAPAN INTERNATIONAL COOPERATION AGENCY KATAHIRA & ENGINEERS INTERNATIONAL	THE PREPARATORY SURVEY ON THE PROJECT FOR THE IMPROVEMENT OF THE LIVING ENVIRONMENT IN THE SOUTHERN AREA OF LUSAKA IN THE REPUBLIC OF ZAMBIA	TITLE:	DRAINAGE STRUCTURE (1)	Drawing No.	DS-01
			SCALE	LINE DITCH	SCALE	1/20 1/30
			DATE		DATE	Jan. 2011

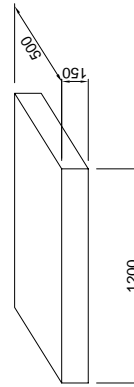
DM500



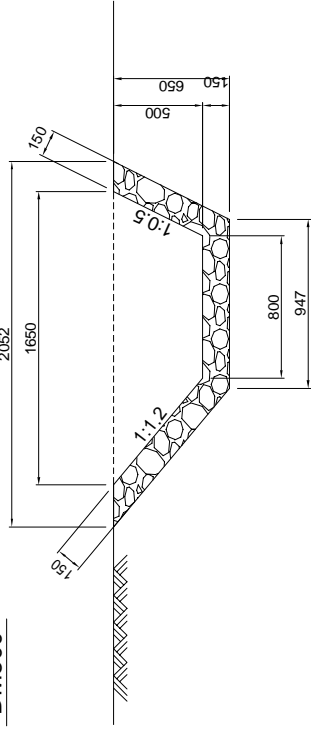
DM500C



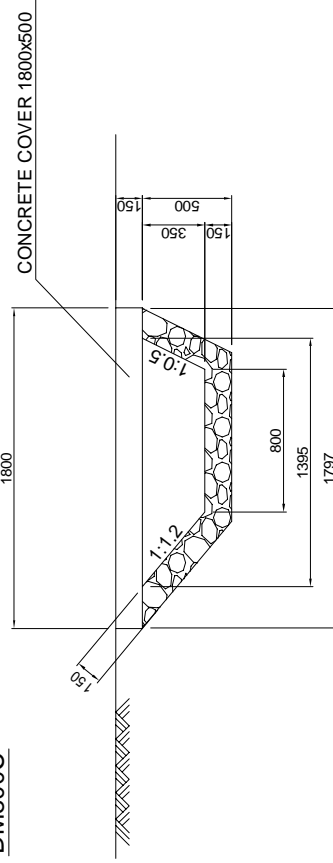
CONCRETE COVER 1200x500



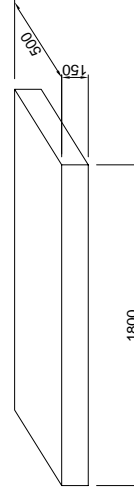
DM800



DM800C



CONCRETE COVER 1800x500



MINISTRY OF LOCAL GOVERNMENT
AND HOUSING
LUSAKA CITY COUNCIL

JAPAN INTERNATIONAL COOPERATION AGENCY
KATAHIRA & ENGINEERS INTERNATIONAL

THE PREPARATORY SURVEY ON THE PROJECT
FOR THE IMPROVEMENT OF THE LIVING ENVIRONMENT
IN THE SOUTHERN AREA OF LUSAKA
IN THE REPUBLIC OF ZAMBIA

TITLE:
DRAINAGE STRUCTURE (2)
LINE DITCH

Drawing No.

SCALE

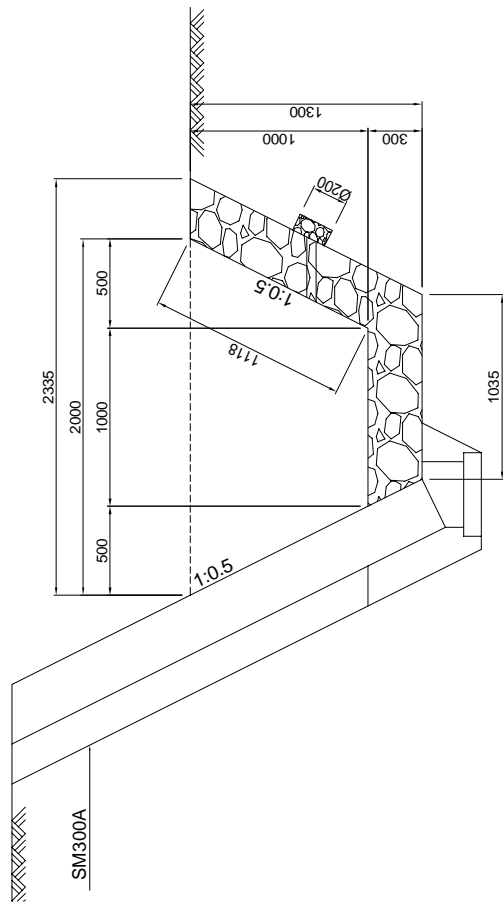
DATE

DS-02

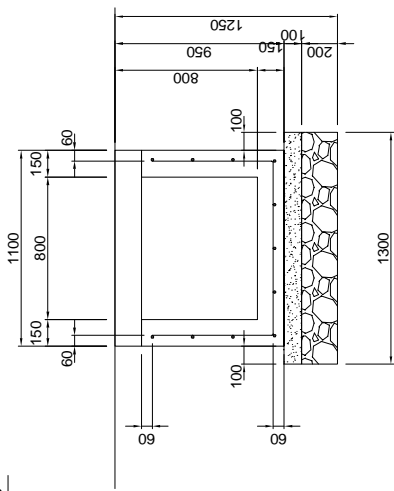
1/30

Jan. 2011

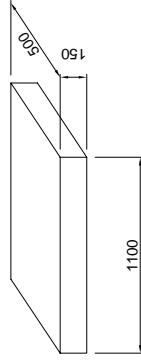
DM1000



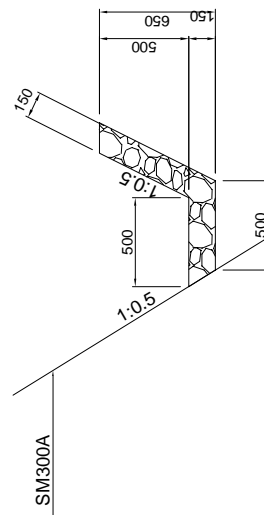
DSC(r)800C



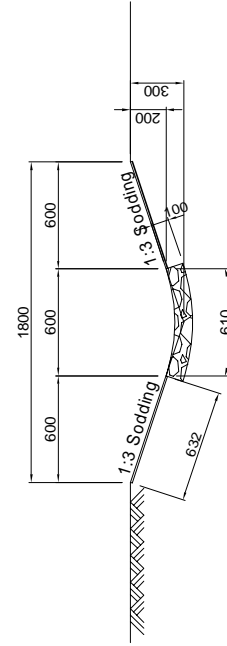
CONCRETE COVER 1100x500



DML500



DS



SM300A

SM300A

MINISTRY OF LOCAL GOVERNMENT
AND HOUSING
LUSAKA CITY COUNCIL

JAPAN INTERNATIONAL COOPERATION AGENCY
KATAHIRA & ENGINEERS INTERNATIONAL

THE PREPARATORY SURVEY ON THE PROJECT
FOR THE IMPROVEMENT OF THE LIVING ENVIRONMENT
IN THE SOUTHERN AREA OF LUSAKA
IN THE REPUBLIC OF ZAMBIA

TITLE:
DRAINAGE STRUCTURE (3)
LINE DITCH

Drawing No.

SCALE

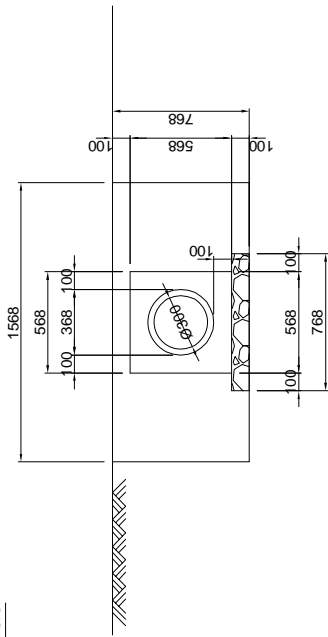
DATE

DS-03

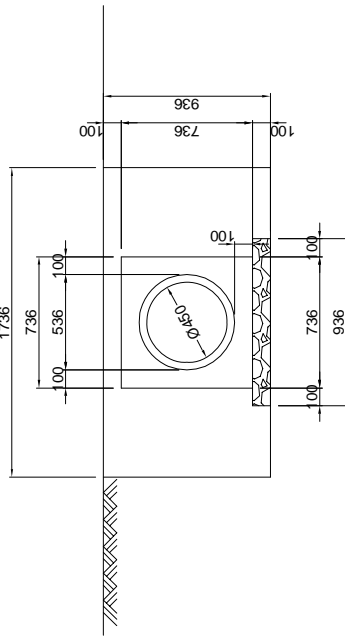
1/30

Jan. 2011

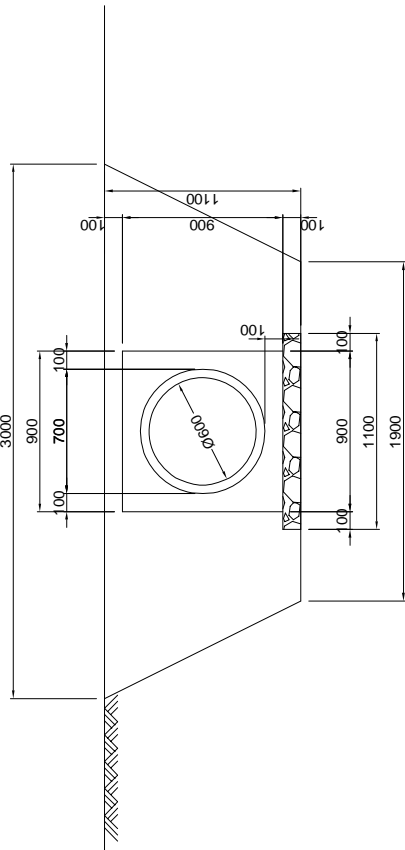
DP300ac



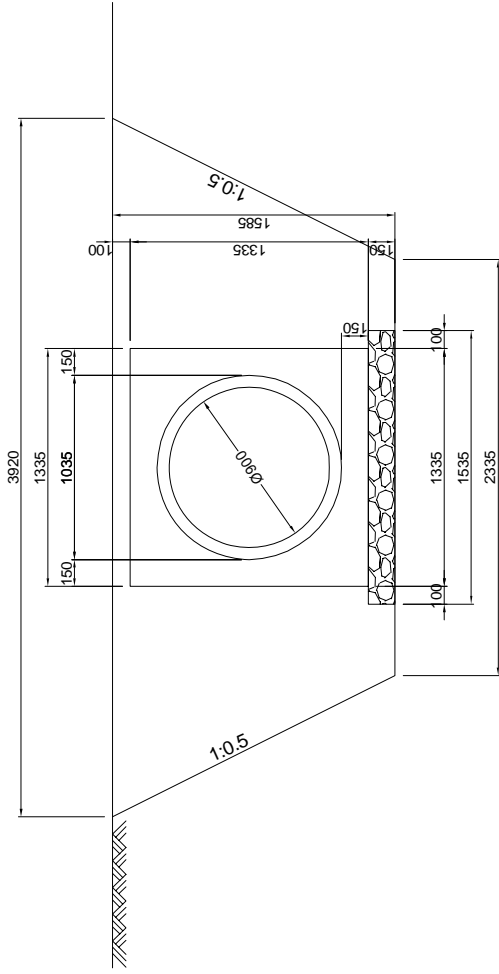
DP450ac



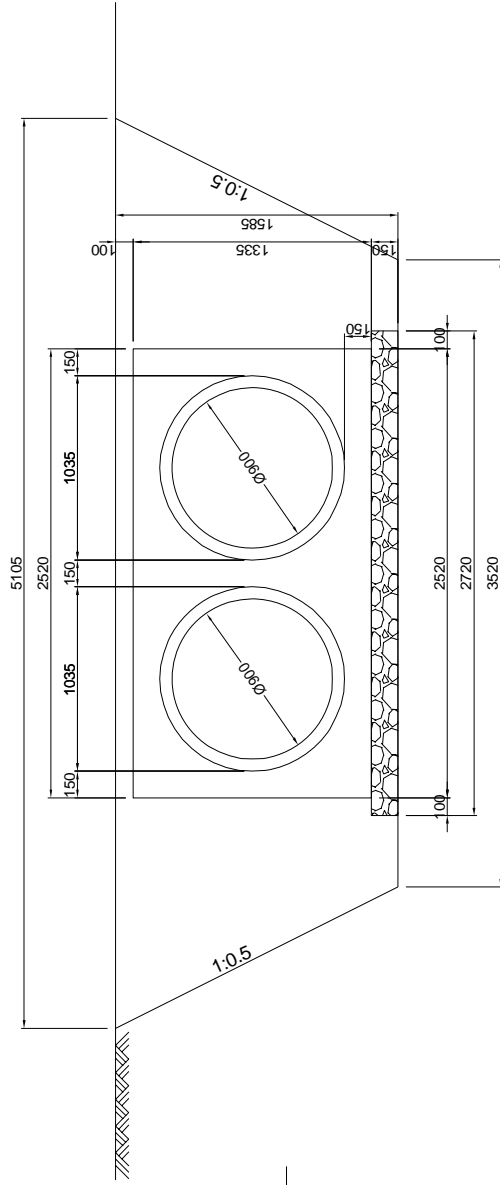
DP600ac



DP900ac



DP2x900ac



MINISTRY OF LOCAL GOVERNMENT
AND HOUSING
LUSAKA CITY COUNCIL

JAPAN INTERNATIONAL COOPERATION AGENCY
KATAHIRA & ENGINEERS INTERNATIONAL

THE PREPARATORY SURVEY ON THE PROJECT
FOR THE IMPROVEMENT OF THE LIVING ENVIRONMENT
IN THE SOUTHERN AREA OF LUSAKA
IN THE REPUBLIC OF ZAMBIA

TITLE:
DRAINAGE STRUCTURE (4)
CONCRETE PIPE

Drawing No.

SCALE

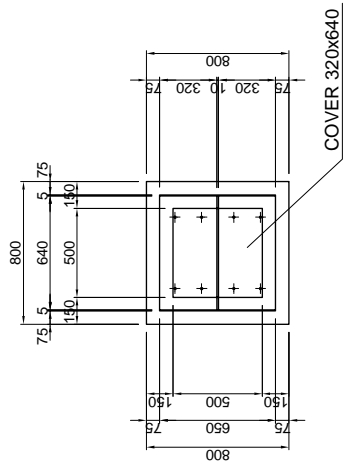
DATE

DS-04

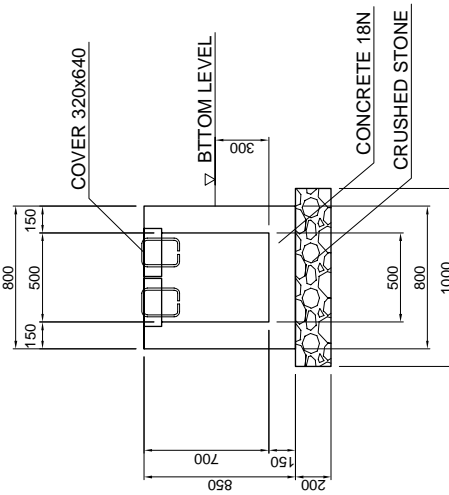
1/30

Jan. 2011

DB(C) 500x500x700

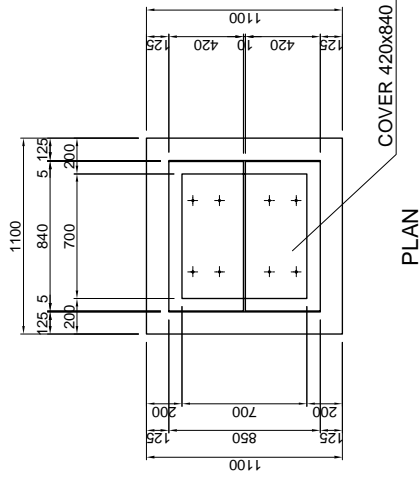


PLAN

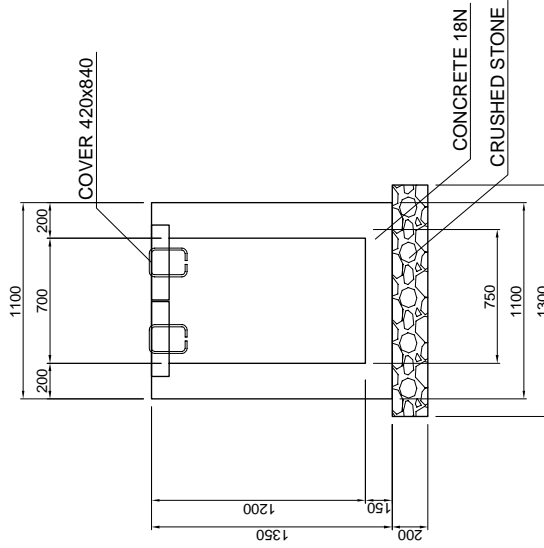


SECTION

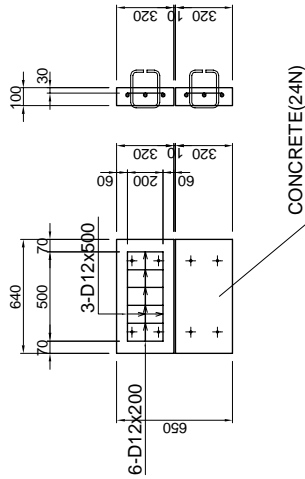
DB(C) 700x700x1200



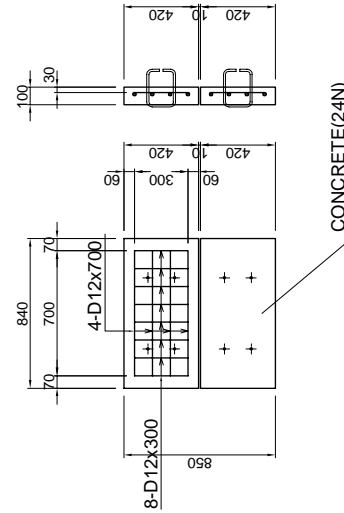
PLAN



SECTION



COVER 320x 640

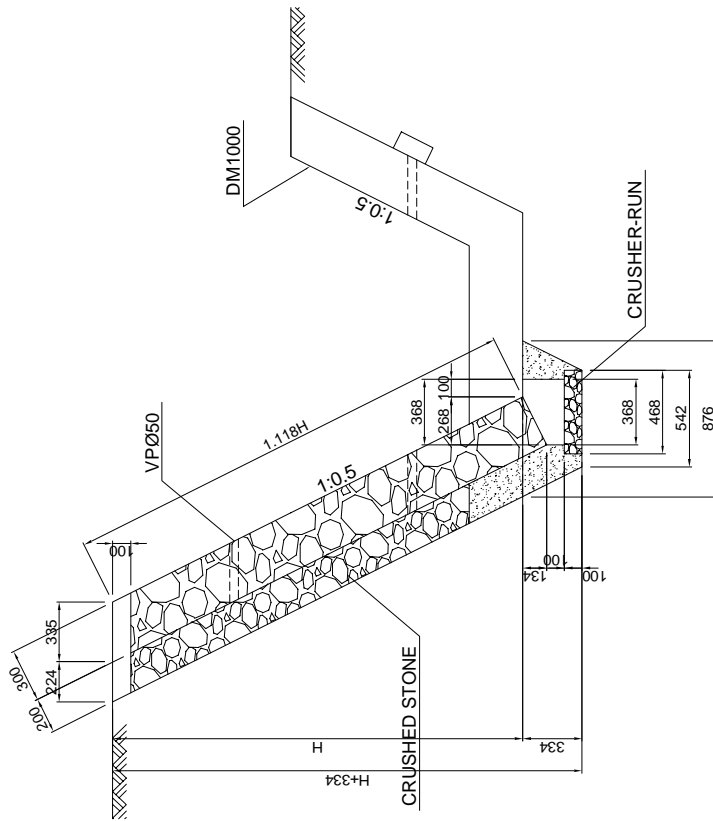


COVER 420x 840

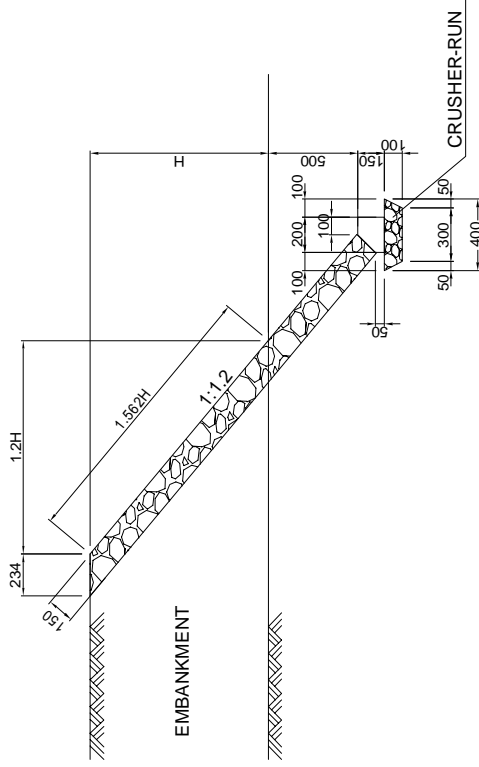
MINISTRY OF LOCAL GOVERNMENT AND HOUSING LUSAKA CITY COUNCIL	JAPAN INTERNATIONAL COOPERATION AGENCY KATAHIRA & ENGINEERS INTERNATIONAL	THE PREPARATORY SURVEY ON THE PROJECT FOR THE IMPROVEMENT OF THE LIVING ENVIRONMENT IN THE SOUTHERN AREA OF LUSAKA IN THE REPUBLIC OF ZAMBIA	TITLE: DRAINAGE STRUCTURE (5) CHITCH BASIN	Drawing No.	DS-05
				SCALE	1/30
				DATE	Jan. 2011

SLOPE PROTECTION

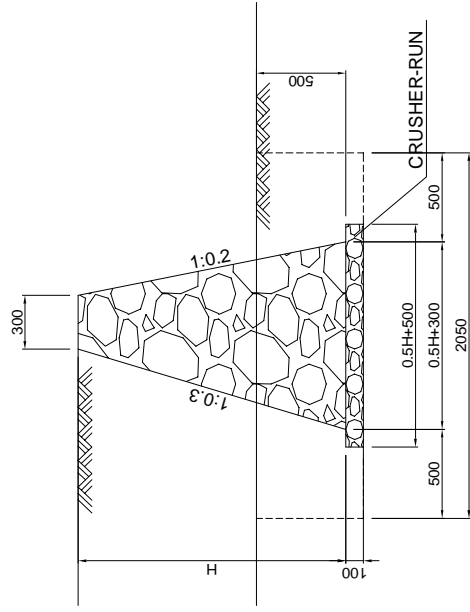
SM300A



SM200



WM(H)



MINISTRY OF LOCAL GOVERNMENT
AND HOUSING
LUSAKA CITY COUNCIL

JAPAN INTERNATIONAL COOPERATION AGENCY
KATAHIRA & ENGINEERS INTERNATIONAL

THE PREPARATORY SURVEY ON THE PROJECT
FOR THE IMPROVEMENT OF THE LIVING ENVIRONMENT
IN THE SOUTHERN AREA OF LUSAKA
IN THE REPUBLIC OF ZAMBIA

TITLE:
SLOPE PROTECTION

Drawing No.

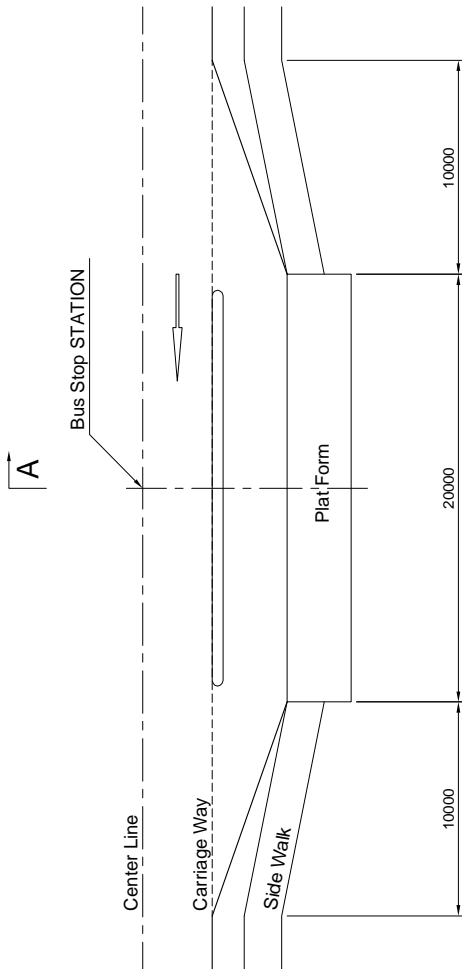
SP-01

SCALE

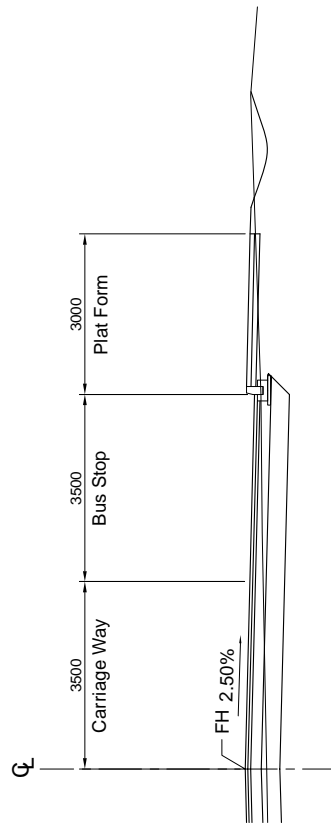
1/30

DATE

Jan. 2011



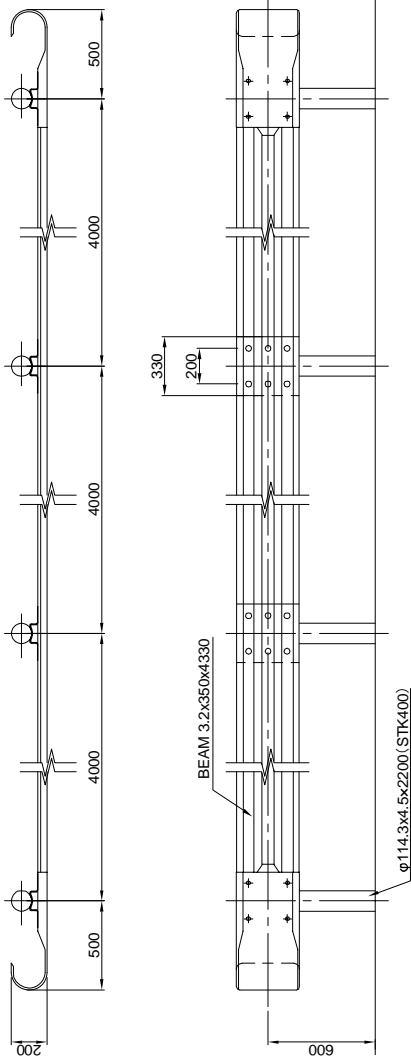
PLAN S=1:250



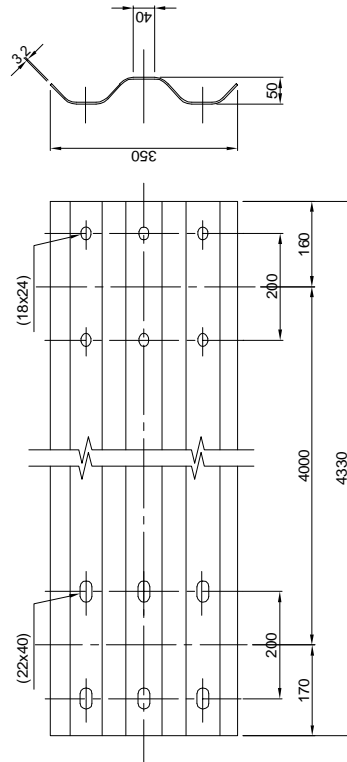
A-A SECTION S=1:100

SCHEDULED LIST OF BUS STOP

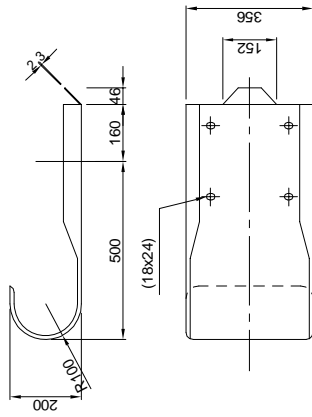
NAME OF ROAD	STA.	L/R
Mini Bypass Link	0+075.00	R
	0+090.00	L
	0+420.00	L
Inner Ring Road	0+510.00	R
	1+250.00	L/R
	2+270.00	L
	2+370.00	R
	4+400.00	R
Inner Ring Road Extension	4+500.00	L
	5+370.00	R
	5+420.00	L
	6+030.00	L
	6+150.00	R
	6+720.00	L
	6+770.00	R
	7+650.00	L
	7+760.00	R
	8+630.00	L
	8+740.00	R



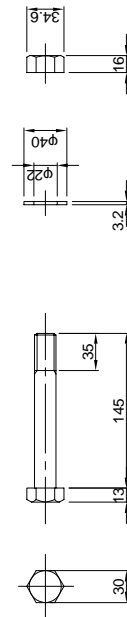
PLAN AND ELEVATION S=1/30



BEAM S=1/10



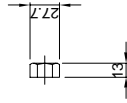
TERMINAL S=1/15



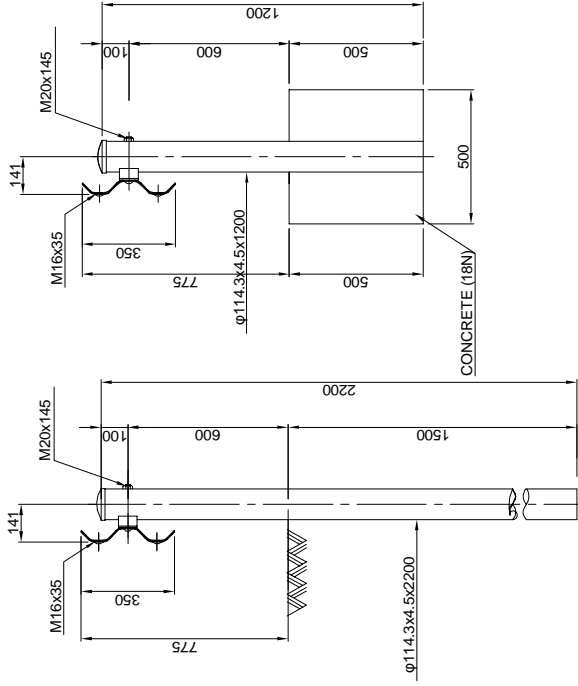
BOLT FOR BRACKET S=1/5
M20x145



BOLT FOR BRACKET S=1/5
M16x35



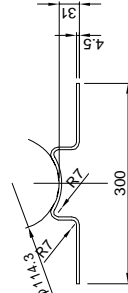
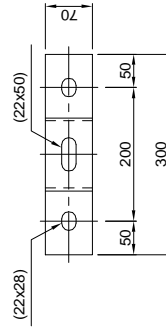
BRACKET S=1/8



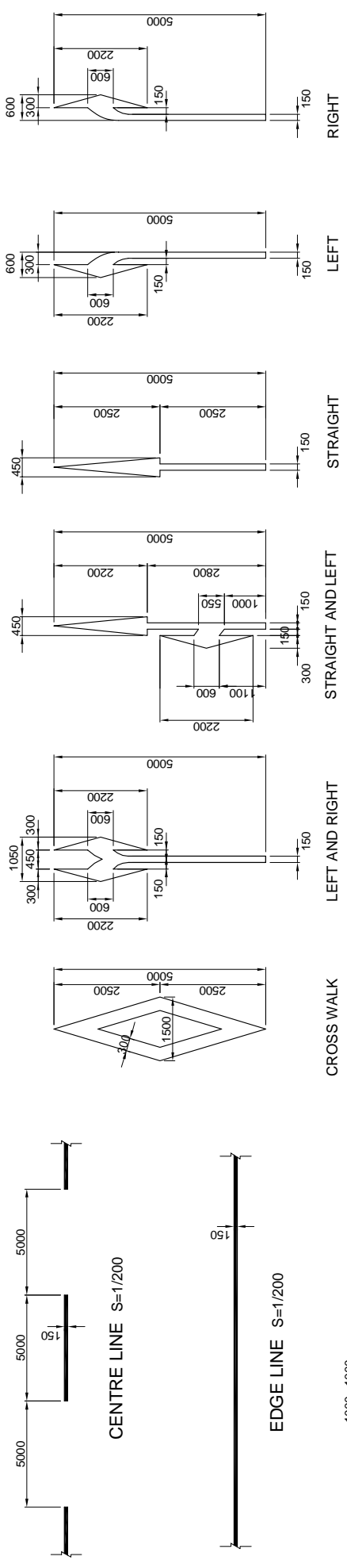
Gr-B-C

SECTION S=1/20

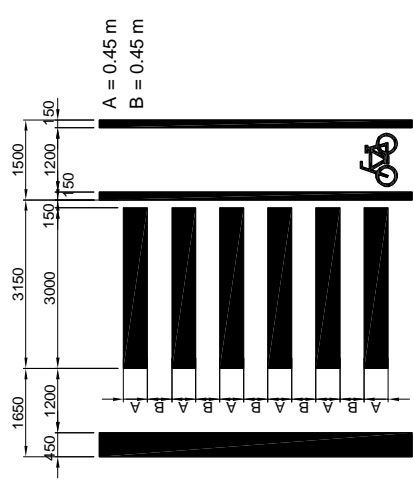
Gr-B-E



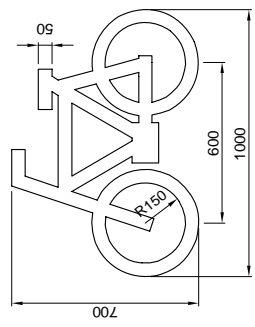
MINISTRY OF LOCAL GOVERNMENT AND HOUSING LUSAKA CITY COUNCIL	JAPAN INTERNATIONAL COOPERATION AGENCY KATAHIRA & ENGINEERS INTERNATIONAL	THE PREPARATORY SURVEY ON THE PROJECT FOR THE IMPROVEMENT OF THE LIVING ENVIRONMENT IN THE SOUTHERN AREA OF LUSAKA IN THE REPUBLIC OF ZAMBIA	TITLE: GUARDRAIL	Drawing No.	GR-01
				SCALE	AS SHOWN
				DATE	Jan. 2011



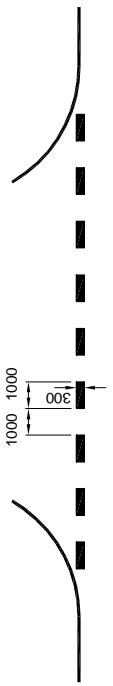
DIRECTIONAL ARROWS s=1/100



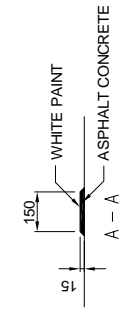
STOP LINE/CROSS WALK/BICYCLE LANE
S=1/100



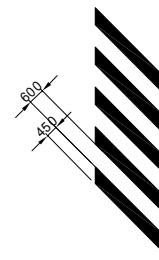
DETAIL OF BICYCLE LOGO
S=1/20



BROKEN LINE S=1/200



CHANNELIZING LINE
S=1/200

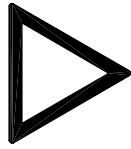


ZEBRA
S=1/200

MINISTRY OF LOCAL GOVERNMENT AND HOUSING LUSAKA CITY COUNCIL	JAPAN INTERNATIONAL COOPERATION AGENCY KATAHIRA & ENGINEERS INTERNATIONAL	THE PREPARATORY SURVEY ON THE PROJECT FOR THE IMPROVEMENT OF THE LIVING ENVIRONMENT IN THE SOUTHERN AREA OF LUSAKA IN THE REPUBLIC OF ZAMBIA	TITLE: ROAD MARKING		Drawing No. RM-01
			SCALE	DATE	AS SHOWN Jan. 2011



R1. STOP



R2. GIVE WAY



M1. TURN LEFT



M4. STRAIGHT &
TURN RIGHT



M7. CYCLE TRACK



M8. SIDE WALK



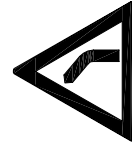
P22. U-TURN



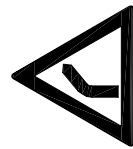
P25A. SPEED LIMIT
(40km)



P25B. SPEED LIMIT
(60km)



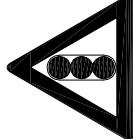
W1 SHARP
LEFT-HAND BEND



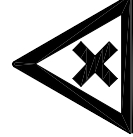
W2 SHARP
RIGHT-HAND BEND



W17. CROSSWALK



W23. JUNCTION
(TRAFFIC LIGHT SIGNALS)



W27. JUNCTION
(X)



W28A JUNCTION
(X)



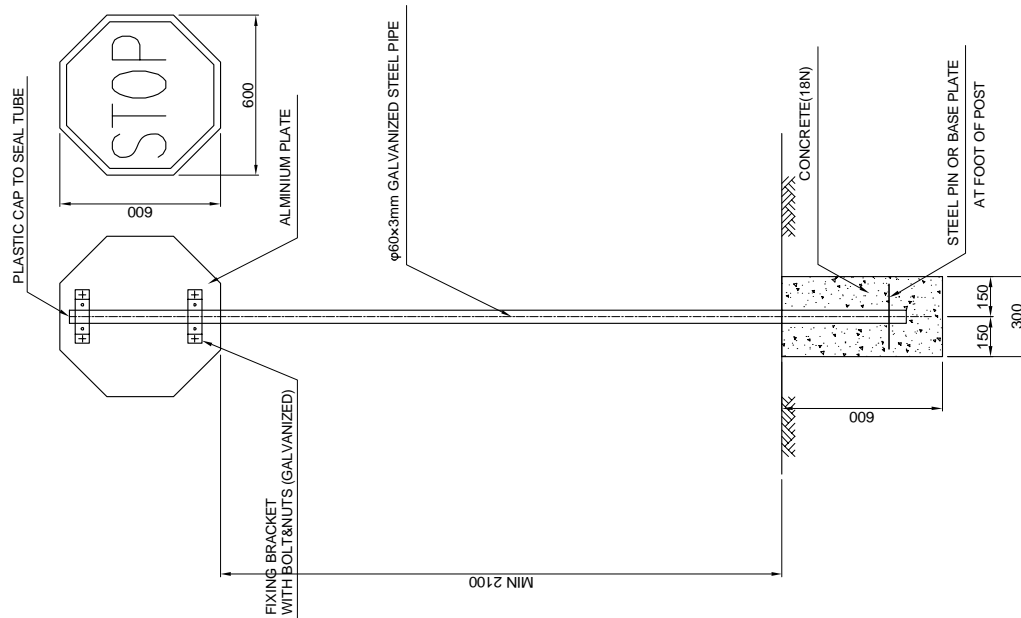
W28B JUNCTION
(T)



I41 BUS STOP
(size : 400x300)



I48. FILLING STATION
(size : 500x600)



DETAIL OF ROAD SIGN S=1/20

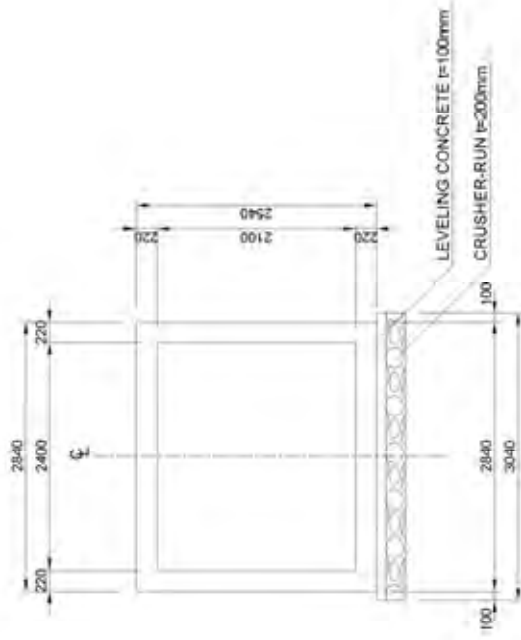
MINISTRY OF LOCAL GOVERNMENT AND HOUSING LUSAKA CITY COUNCIL	JAPAN INTERNATIONAL COOPERATION AGENCY KATAHIRA & ENGINEERS INTERNATIONAL	TITLE: THE PREPARATORY SURVEY ON THE PROJECT FOR THE IMPROVEMENT OF THE LIVING ENVIRONMENT IN THE SOUTHERN AREA OF LUSAKA IN THE REPUBLIC OF ZAMBIA		Drawing No.	RS-01
		ROAD SIGN		SCALE	NON SCALE
				DATE	Jan. 2011

PROFILE H=1:200, V=1:100

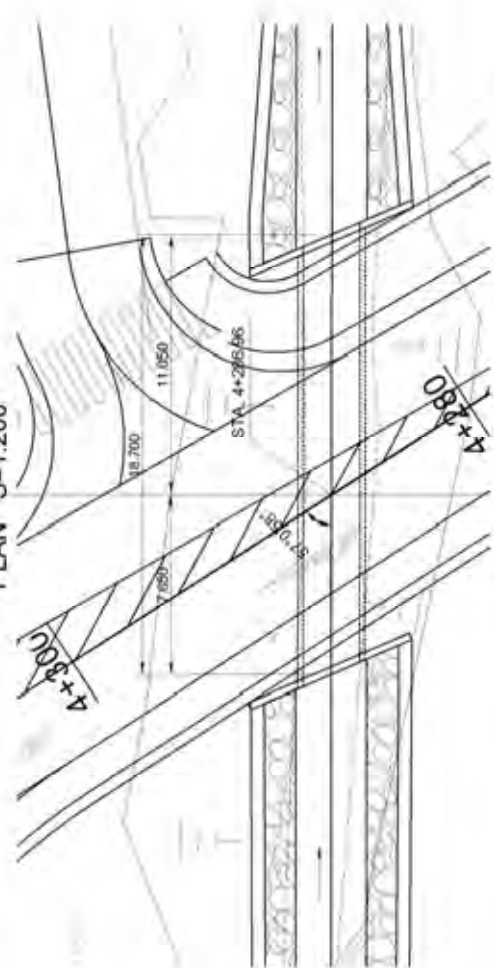


STATION	90 509	0+008.40	90 420	0+000	90 303	0+012.60
FINISH GRADE						

TYPICAL CROSS SECTION S=1:50



PLAN S=1:200



MINISTRY OF LOCAL GOVERNMENT AND HOUSING LUSAKA CITY COUNCIL	JAPAN INTERNATIONAL COOPERATION AGENCY KATAHIRA & ENGINEERS INTERNATIONAL	THE PREPARATORY SURVEY ON THE PROJECT FOR THE IMPROVEMENT OF THE LIVING ENVIRONMENT IN THE SOUTHERN AREA OF LUSAKA IN THE REPUBLIC OF ZAMBIA	TITLE:		Drawing No. BC-01 SCALE AS SHOWN DATE Jan. 2011
			C-Bx. 2.40x2.10 INNER RING ROAD (STA.4+286.96)		