

REMARKS:

JAPAN INTERNATIONAL COOPERATION AGENCY

ETHIOPIAN ROADS AUTHORITY

The Preparatory Survey on the Project for Rehabilitation of Trunk Road, Phase IV in the Federal Democratic Republic of Ethiopia

DRAWING TITLE: Oriental Consultants Co., Ltd. Eight-Japan Engineering Consultants Inc.

PREPARED BY: _____ CHECKED BY: _____ APPROVED BY: _____

NAME: _____ SIG NATURE: _____ DATE: _____

SCALE: 1:5000 SHEET NO. DRAWING NO. REV. NO.

Plan and Profile (34/45)



REMARKS:

JAPAN INTERNATIONAL COOPERATION AGENCY

ETHIOPIAN ROADS AUTHORITY

The Preparatory Survey on the Project for Rehabilitation of Trunk Road, Phase IV in the Federal Democratic Republic of Ethiopia

ORIENTAL CONSULTANTS CO., LTD.
EIGHT-JAPAN ENGINEERING CONSULTANTS INC.

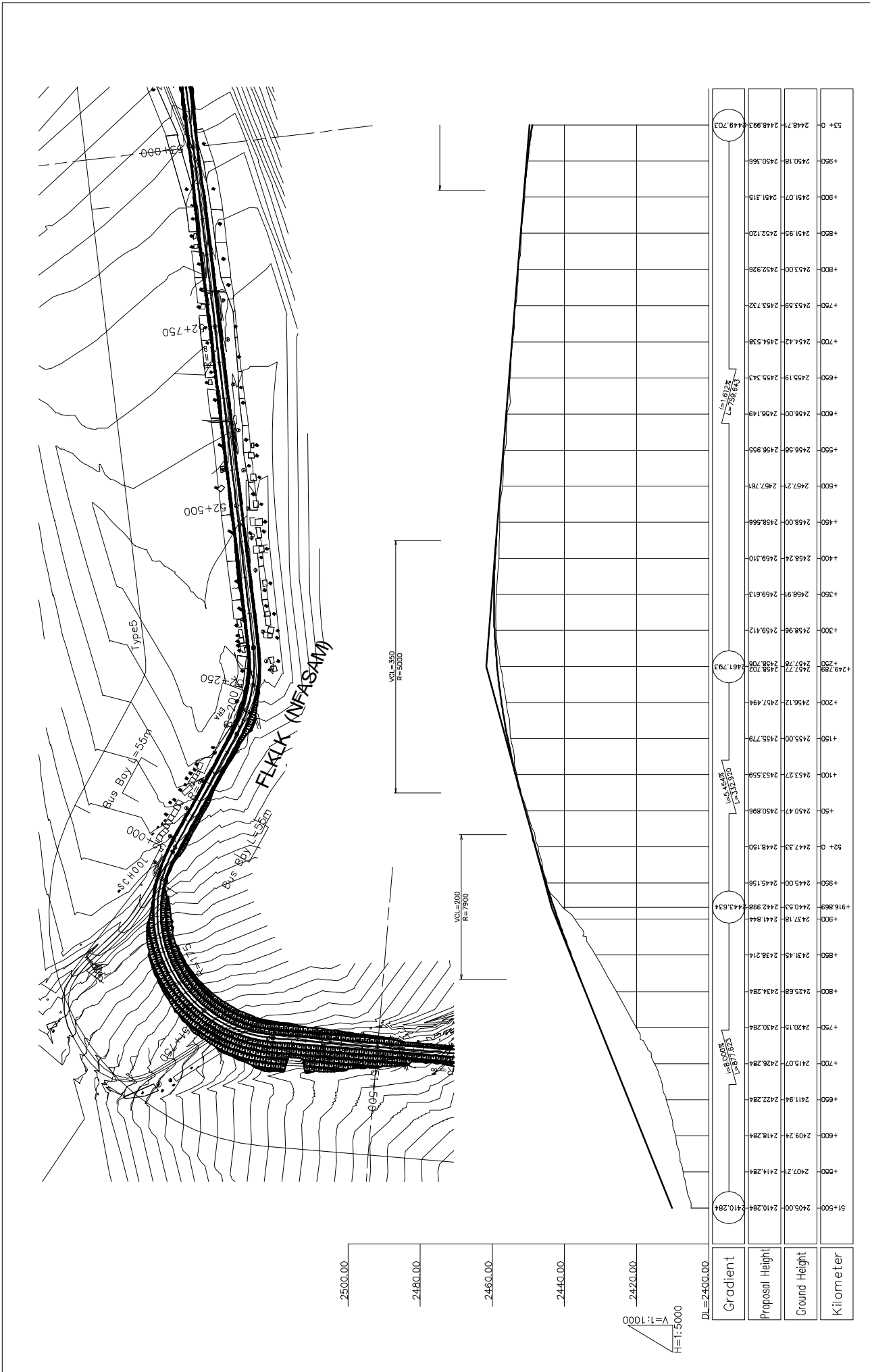
NAME: _____
SIGNATURE: _____
DATE: _____

PREPARED BY: _____
CHECKED BY: _____
APPROVED BY: _____

DRAWING TITLE

Plan and Profile (35/45)

SCALE: 1:5000
SHEET NO.: _____
DRAWING NO.: _____
REV. NO.: _____



REMARKS:

JAPAN INTERNATIONAL COOPERATION AGENCY

ETHIOPIAN ROADS AUTHORITY

The Preparatory Survey on the Project for Rehabilitation of Trunk Road, Phase IV in the Federal Democratic Republic of Ethiopia

DRAWING TITLE

Oriental Consultants Co., Ltd.
Eight-Japan Engineering Consultants Inc.

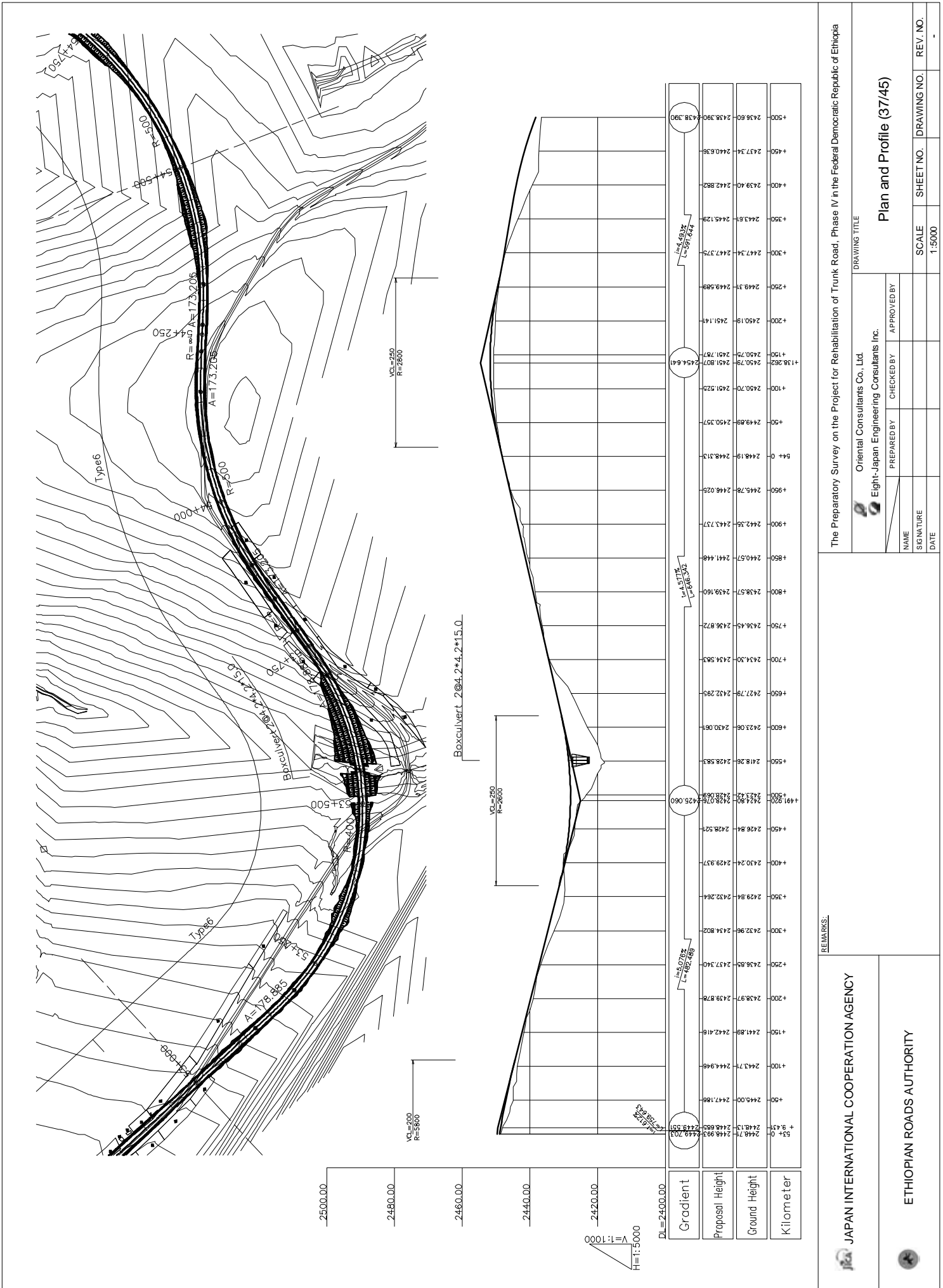
PREPARED BY: _____ CHECKED BY: _____ APPROVED BY: _____

NAME: _____ SIG NATURE: _____ DATE: _____

SCALE: 1:5000

SHEET NO. _____ DRAWING NO. _____ REV. NO. _____

Plan and Profile (36/45)



REMARKS:

JAPAN INTERNATIONAL COOPERATION AGENCY

ETHIOPIAN ROADS AUTHORITY

The Preparatory Survey on the Project for Rehabilitation of Trunk Road, Phase IV in the Federal Democratic Republic of Ethiopia

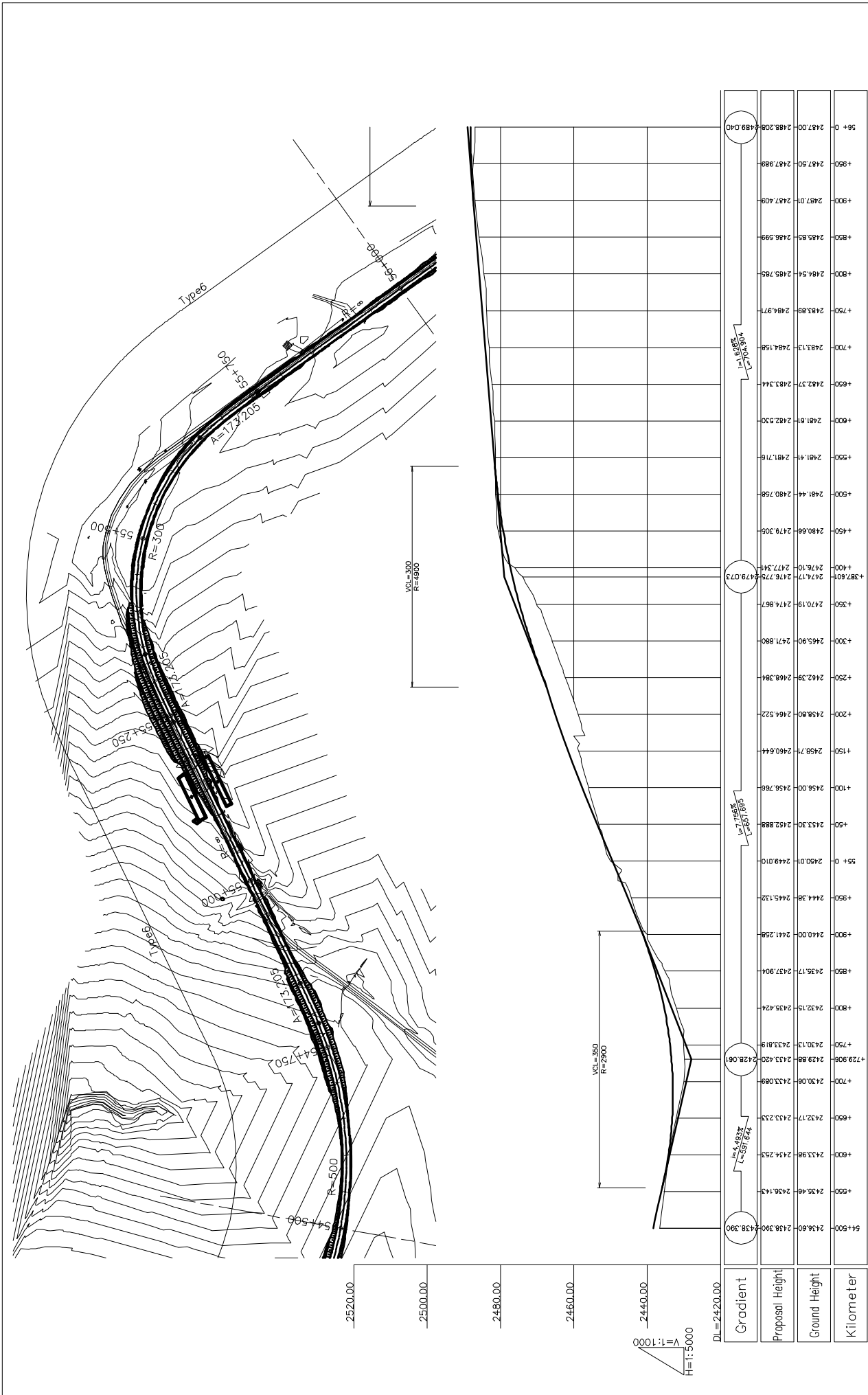
DRAWING TITLE: Oriental Consultants Co., Ltd. Eight-Japan Engineering Consultants Inc.

PREPARED BY: _____ CHECKED BY: _____ APPROVED BY: _____

NAME: _____ SIG NATURE: _____ DATE: _____

SCALE: 1:5000 SHEET NO. DRAWING NO. REV. NO.

Plan and Profile (37/45)



REMARKS:

JAPAN INTERNATIONAL COOPERATION AGENCY

ETHIOPIAN ROADS AUTHORITY

The Preparatory Survey on the Project for Rehabilitation of Trunk Road, Phase IV in the Federal Democratic Republic of Ethiopia

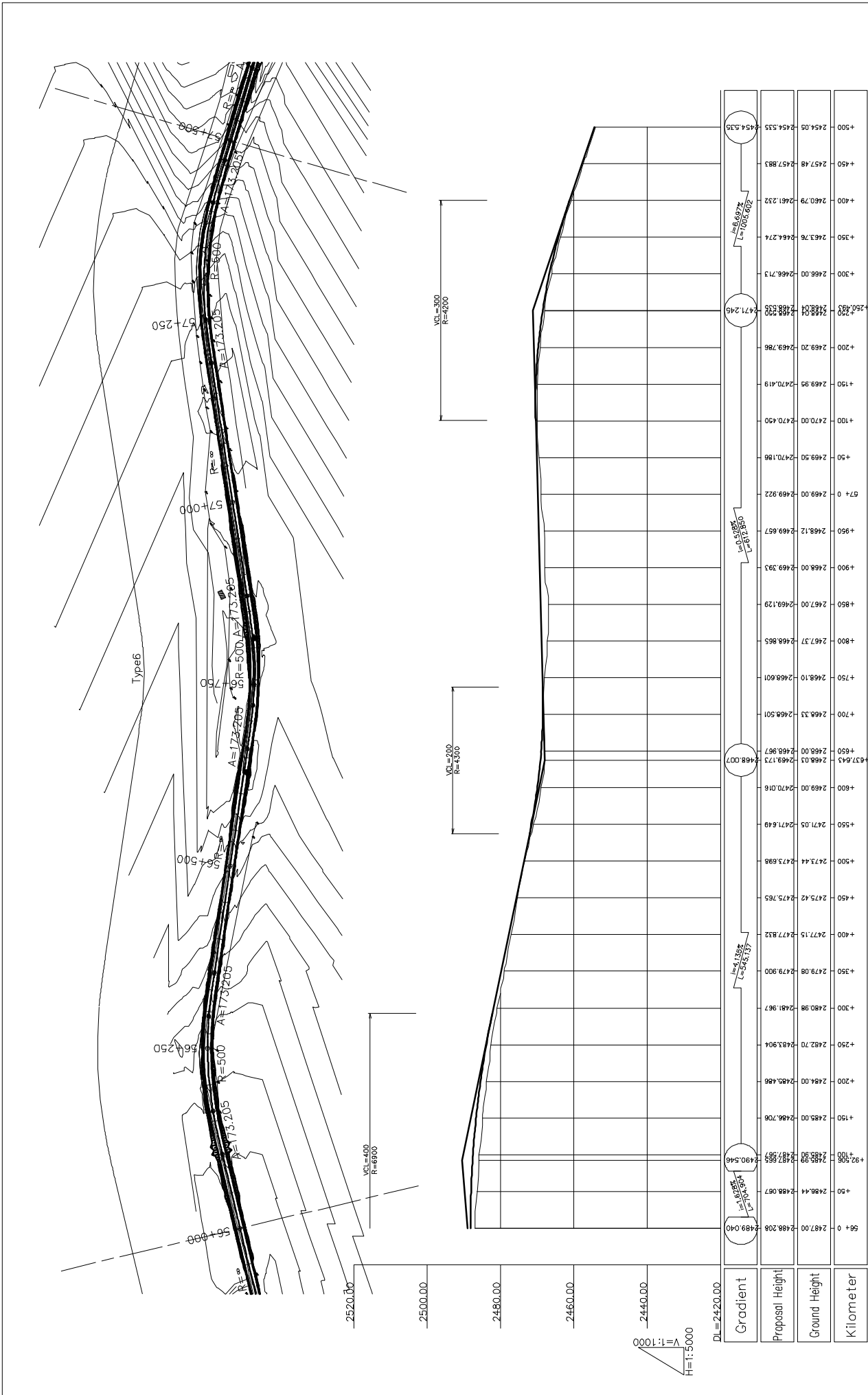
ORIENTAL CONSULTANTS CO., LTD.
EIGHT-JAPAN ENGINEERING CONSULTANTS INC.

NAME	PREPARED BY	CHECKED BY	APPROVED BY
SIGNATURE			
DATE			

DRAWING TITLE

Plan and Profile (38/45)

SCALE	SHEET NO.	DRAWING NO.	REV. NO.
1:5000			



REMARKS:

JAPAN INTERNATIONAL COOPERATION AGENCY

ETHIOPIAN ROADS AUTHORITY

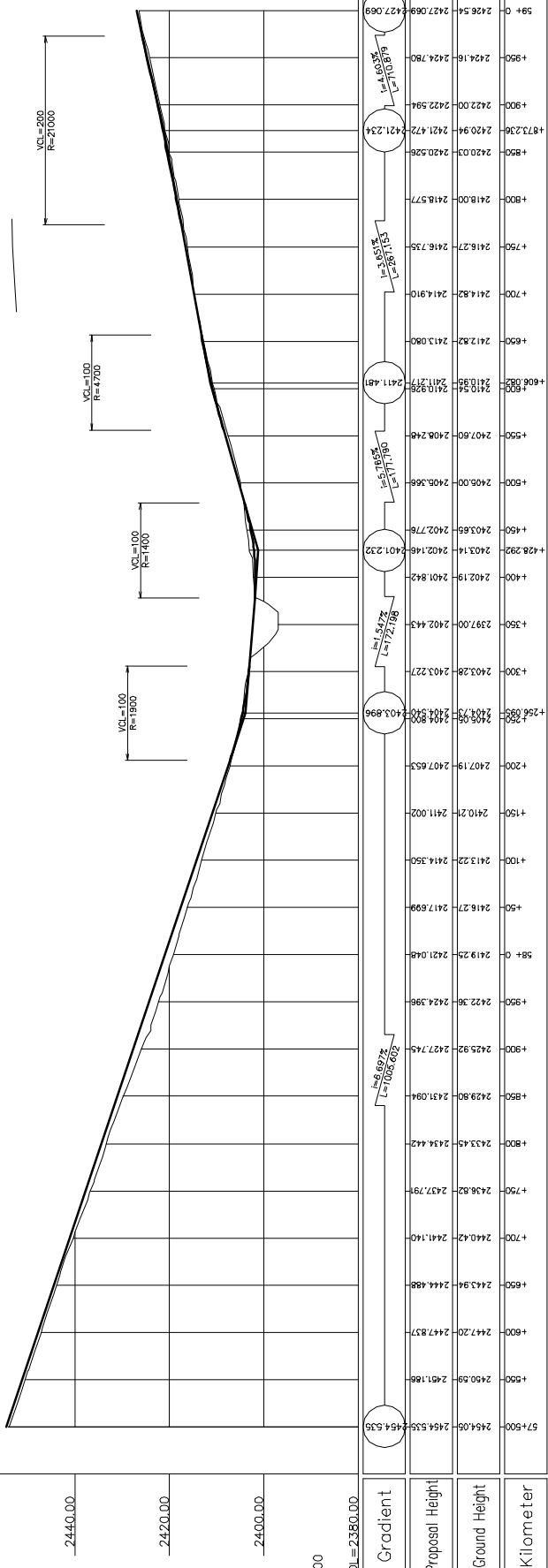
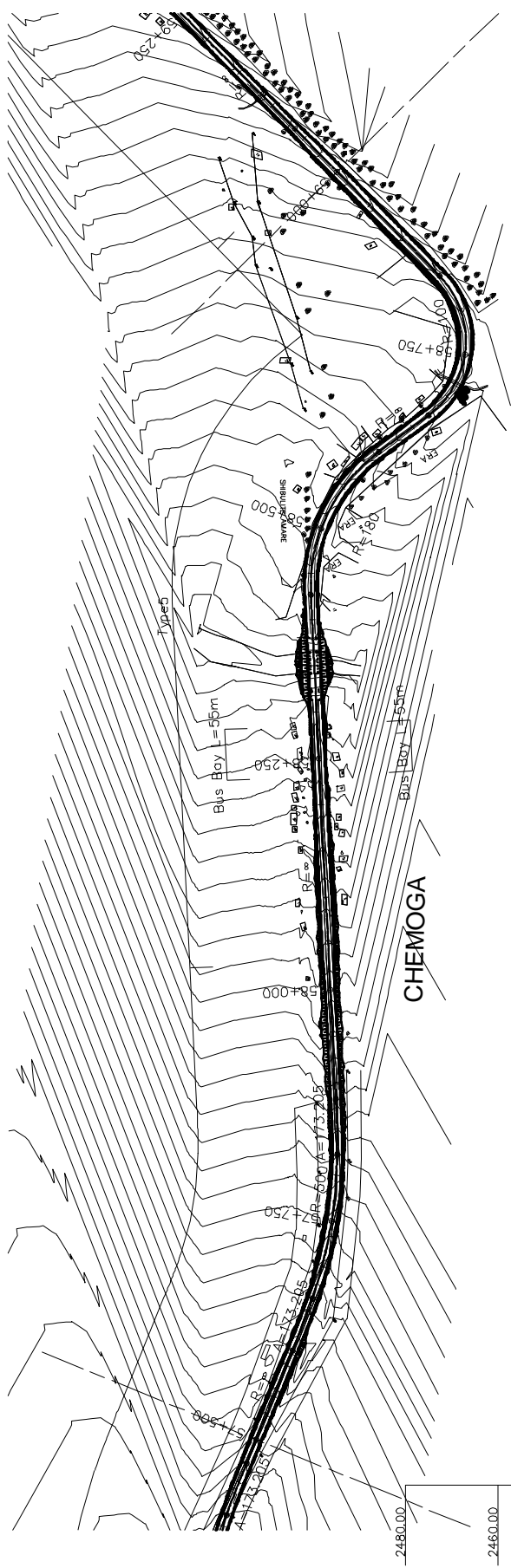
The Preparatory Survey on the Project for Rehabilitation of Trunk Road, Phase IV in the Federal Democratic Republic of Ethiopia

DRAWING TITLE: Oriental Consultants Co., Ltd. Eight-Japan Engineering Consultants Inc.

PREPARED BY: _____ CHECKED BY: _____ APPROVED BY: _____

NAME: _____ SIGNATURE: _____ DATE: _____

SCALE: 1:5000 SHEET NO. DRAWING NO. REV. NO.



Station	Proposed Height	Ground Height	Kilometer
57+000	2454.535	2454.535	454.535
57+100	2443.94	2444.498	455.498
57+200	2440.42	2441.140	456.140
57+300	2436.82	2437.791	456.791
57+400	2433.45	2434.442	457.442
57+500	2429.80	2431.094	458.094
57+600	2425.92	2427.745	458.745
57+700	2422.36	2424.396	459.396
57+800	2419.25	2421.048	460.048
57+900	2416.27	2417.699	460.699
58+000	2413.22	2414.350	461.350
58+100	2410.21	2411.002	462.002
58+200	2407.19	2407.653	462.653
58+300	2404.28	2404.304	463.304
58+400	2401.46	2400.955	463.955
58+500	2400.00	2400.000	464.000
58+600	2403.65	2402.778	464.778
58+700	2414.82	2414.910	465.910
58+800	2418.00	2418.577	467.577
58+900	2420.03	2420.528	469.528
59+000	2420.94	2421.472	471.472
59+100	2422.00	2422.594	473.594
59+200	2424.16	2424.790	475.790
59+300	2426.54	2427.068	478.068

REMARKS:

JAPAN INTERNATIONAL COOPERATION AGENCY

ETHIOPIAN ROADS AUTHORITY

The Preparatory Survey on the Project for Rehabilitation of Trunk Road, Phase IV in the Federal Democratic Republic of Ethiopia

DRAWING TITLE: **Plan and Profile (40/45)**

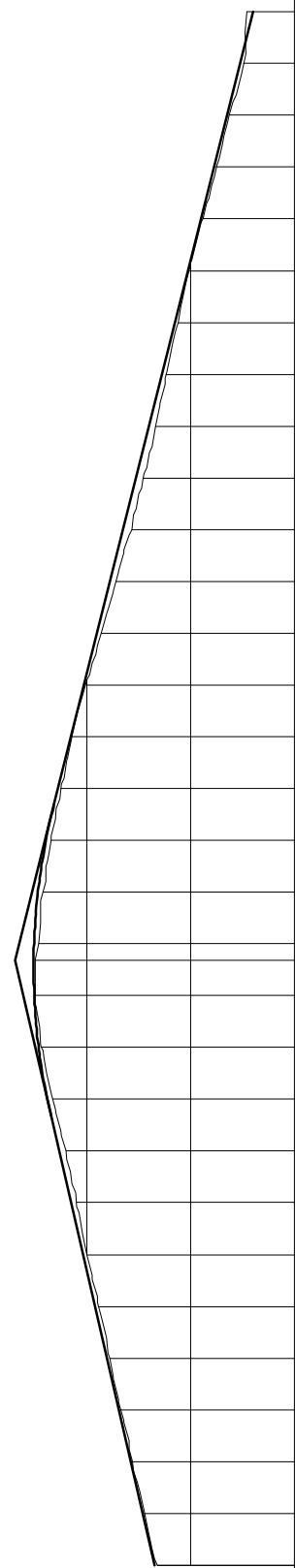
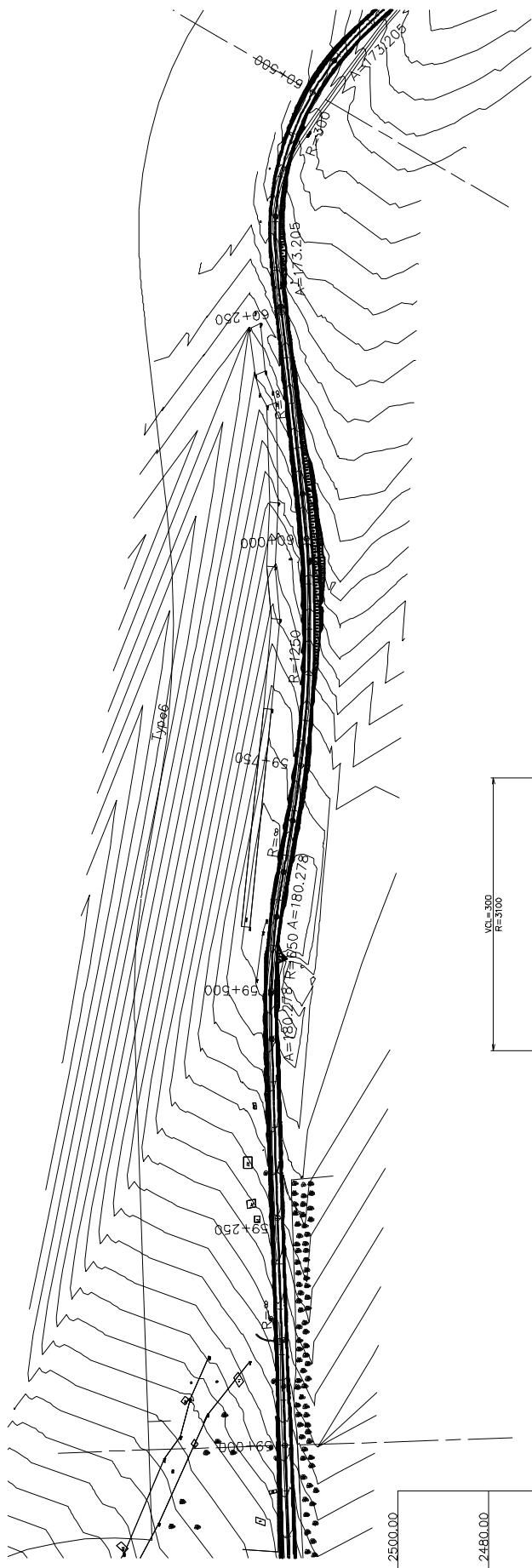
ORIENTAL CONSULTANTS CO., LTD.
EIGHT-JAPAN ENGINEERING CONSULTANTS INC.

PREPARED BY: _____ CHECKED BY: _____ APPROVED BY: _____

NAME: _____ SIG NATURE: _____ DATE: _____

SCALE: 1:5000

SHEET NO. _____ DRAWING NO. _____ REV. NO. _____



Station	Proposal Height	Ground Height	Kilometer
59+000	2427.069	2427.069	59+000
59+050	2428.98	2429.37	59+050
59+100	2431.30	2431.872	59+100
59+150	2433.57	2433.974	59+150
59+200	2435.69	2436.275	59+200
59+250	2437.81	2438.577	59+250
59+300	2440.00	2440.878	59+300
59+350	2442.09	2443.180	59+350
59+400	2444.17	2445.481	59+400
59+450	2446.81	2447.783	59+450
59+500	2448.78	2449.388	59+500
59+550	2450.00	2450.233	59+550
59+600	2450.00	2450.348	59+600
59+650	2449.36	2450.275	59+650
59+700	2447.00	2447.953	59+700
59+750	2445.10	2445.63	59+750
59+800	2443.00	2443.122	59+800
59+850	2440.27	2440.612	59+850
59+900	2437.26	2438.103	59+900
59+950	2434.49	2435.594	59+950
60+000	2431.48	2433.084	60+000
60+050	2429.12	2430.575	60+050
60+100	2426.88	2428.068	60+100
60+150	2424.82	2425.557	60+150
60+200	2422.51	2423.047	60+200
60+250	2420.32	2420.538	60+250
60+300	2417.69	2418.029	60+300
60+350	2415.09	2415.519	60+350
60+400	2412.59	2413.010	60+400
60+450	2409.85	2410.501	60+450
60+500	2407.19	2407.992	60+500

V=1:1000
H=1:5000

REMARKS:

The Preparatory Survey on the Project for Rehabilitation of Trunk Road, Phase IV in the Federal Democratic Republic of Ethiopia

ORIENTAL CONSULTANTS CO., LTD.
EIGHT-JAPAN ENGINEERING CONSULTANTS INC.

NAME	PREPARED BY	CHECKED BY	APPROVED BY
SIGNATURE			
DATE			

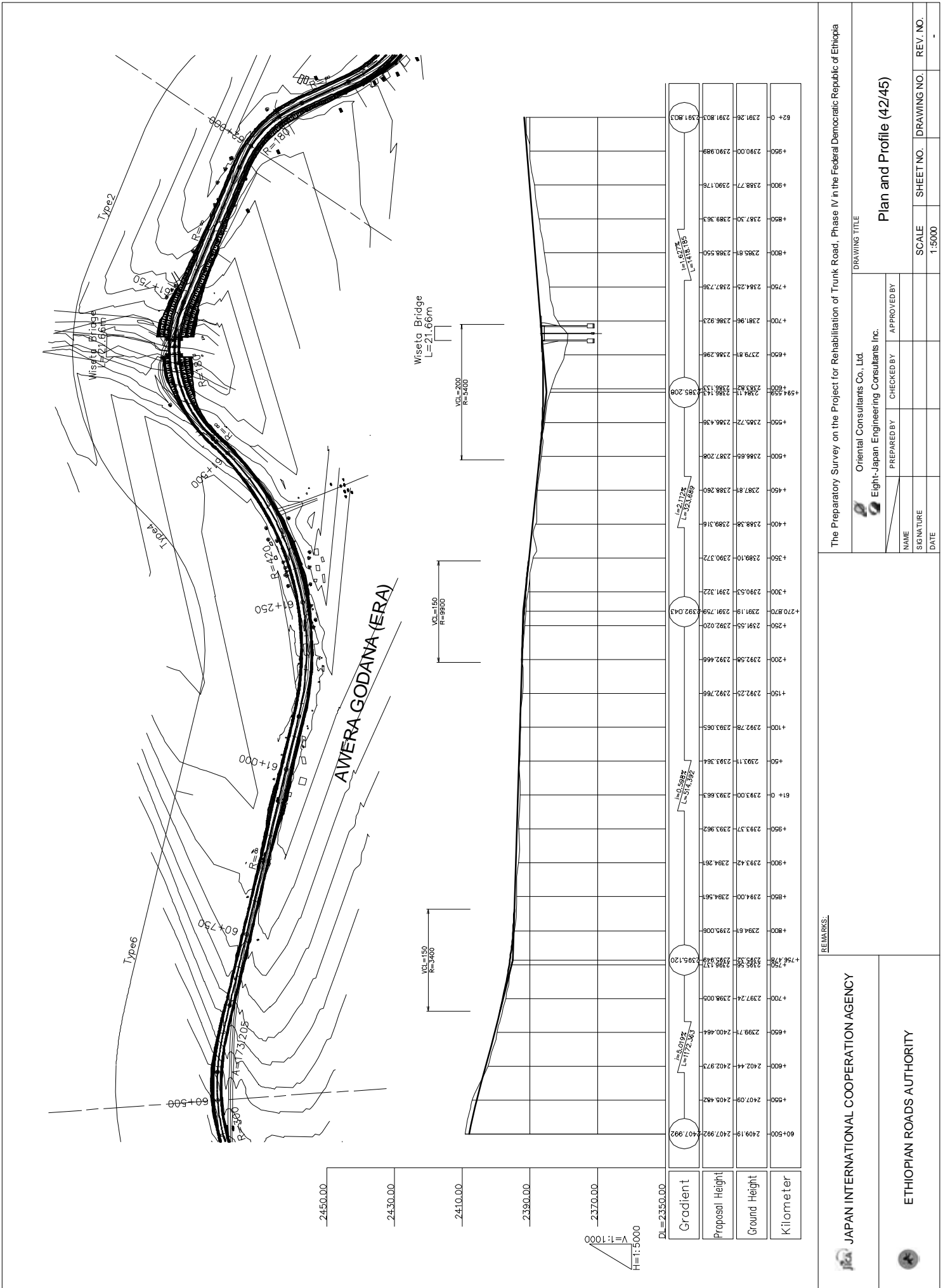
DRAWING TITLE

Plan and Profile (41/45)

SCALE	SHEET NO.	DRAWING NO.	REV. NO.
1:5000			

JICA JAPAN INTERNATIONAL COOPERATION AGENCY

ETHIOPIAN ROADS AUTHORITY



REMARKS:

JAPAN INTERNATIONAL COOPERATION AGENCY

ETHIOPIAN ROADS AUTHORITY

The Preparatory Survey on the Project for Rehabilitation of Trunk Road, Phase IV in the Federal Democratic Republic of Ethiopia

DRAWING TITLE

Oriental Consultants Co., Ltd.
Eight-Japan Engineering Consultants Inc.

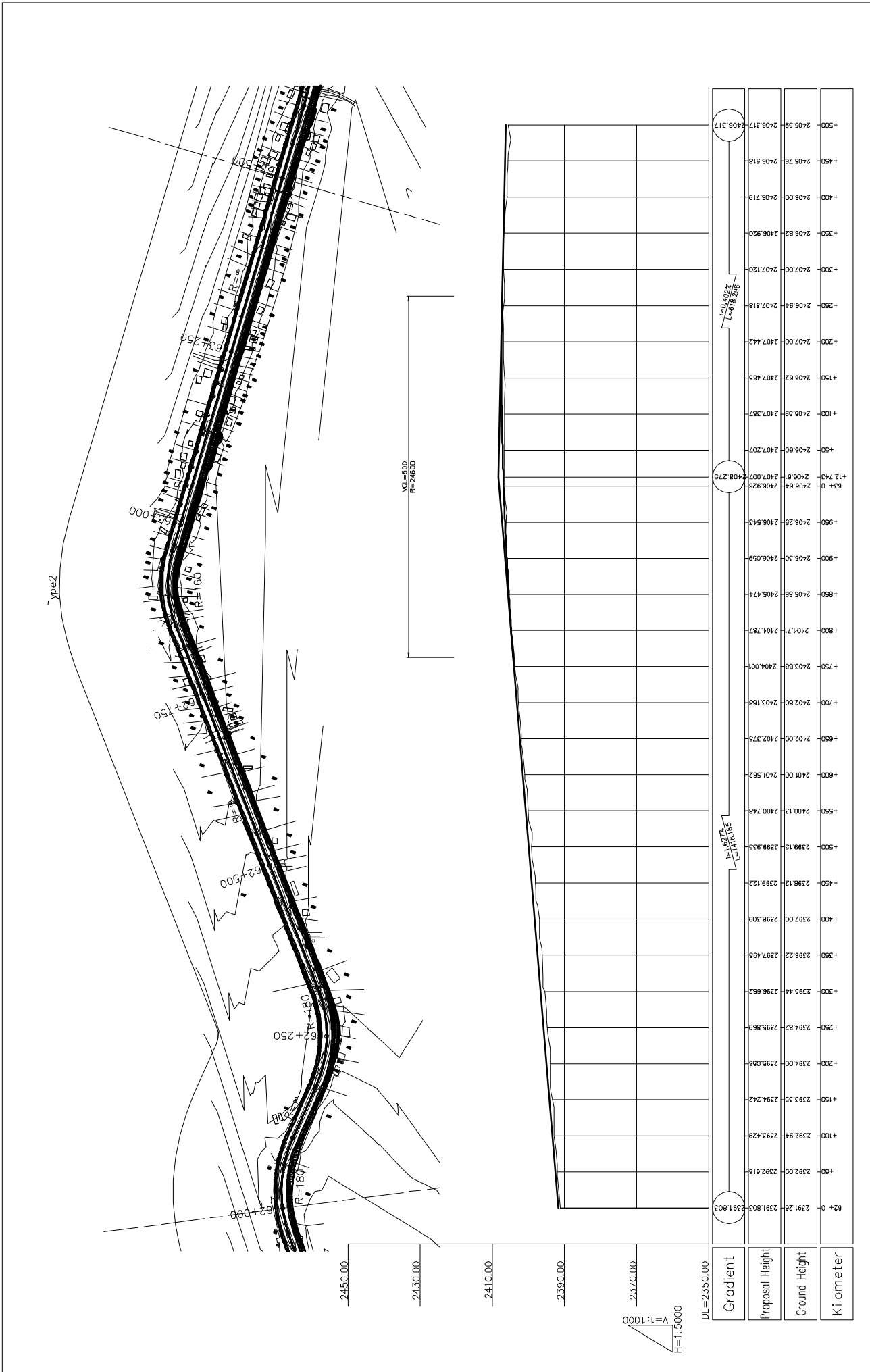
PREPARED BY: _____ CHECKED BY: _____ APPROVED BY: _____

NAME: _____ SIGNATURE: _____ DATE: _____

SCALE: 1:5000

SHEET NO. _____ DRAWING NO. _____ REV. NO. _____

Plan and Profile (42/45)



REMARKS:

JAPAN INTERNATIONAL COOPERATION AGENCY

ETHIOPIAN ROADS AUTHORITY

The Preparatory Survey on the Project for Rehabilitation of Trunk Road, Phase IV in the Federal Democratic Republic of Ethiopia

ORIENTAL CONSULTANTS CO., LTD.
EIGHT-JAPAN ENGINEERING CONSULTANTS INC.

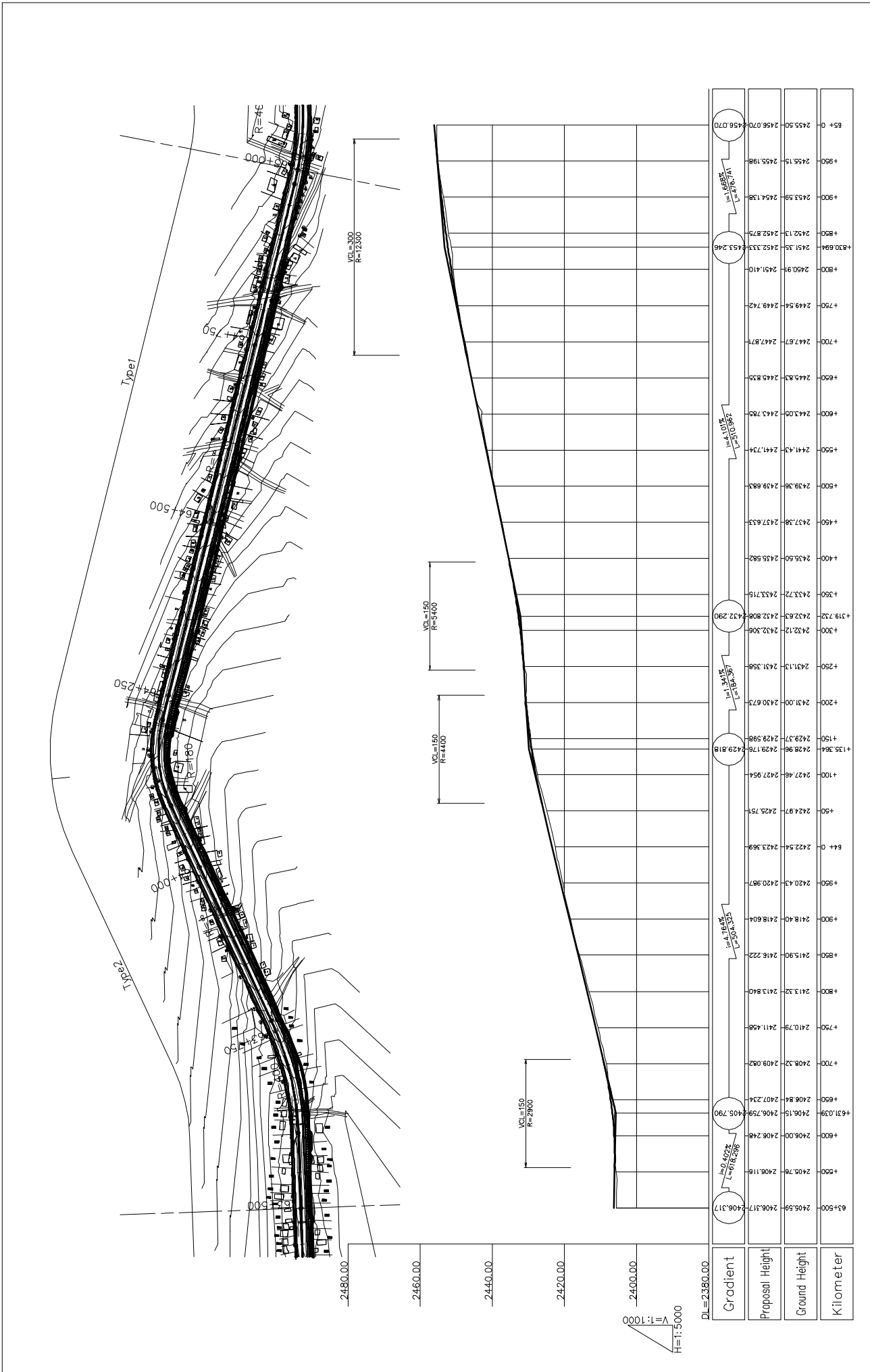
PREPARED BY: _____ CHECKED BY: _____ APPROVED BY: _____

NAME: _____ SIGNATURE: _____ DATE: _____

SCALE: 1:5000

SHEET NO. _____ DRAWING NO. _____ REV. NO. _____

Plan and Profile (43/45)



REMARKS:

JAPAN INTERNATIONAL COOPERATION AGENCY

ETHIOPIAN ROADS AUTHORITY

The Preparatory Survey on the Project for Rehabilitation of Trunk Road, Phase IV in the Federal Democratic Republic of Ethiopia

DRAWING TITLE

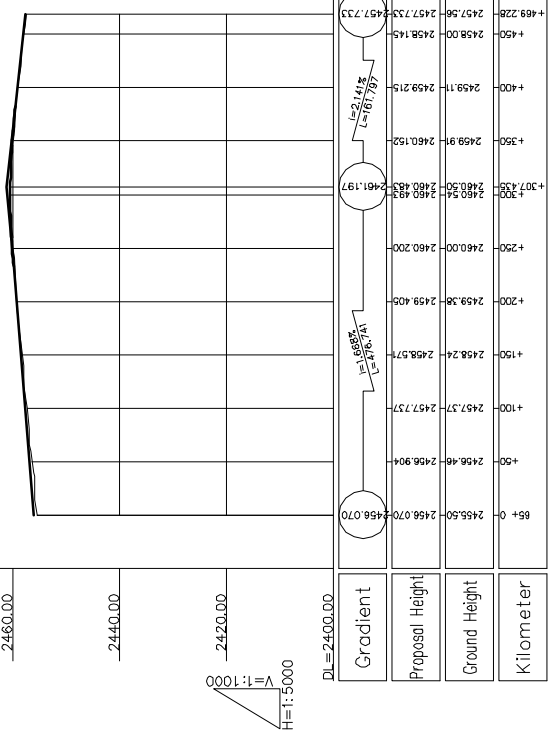
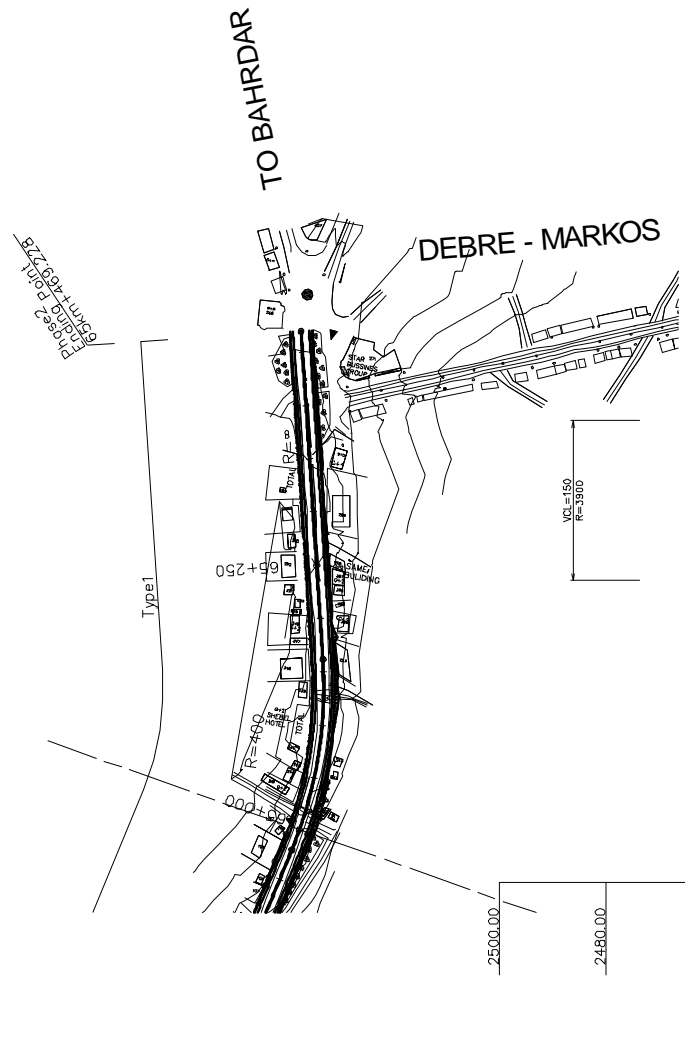
Oriental Consultants Co., Ltd.
Eight-Japan Engineering Consultants Inc.

PREPARED BY: _____ CHECKED BY: _____ APPROVED BY: _____

NAME: _____ SIGNATURE: _____ DATE: _____

SCALE: 1:5000 SHEET NO. DRAWING NO. REV. NO.

Plan and Profile (44/45)



REMARKS:

JICA JAPAN INTERNATIONAL COOPERATION AGENCY

ETHIOPIAN ROADS AUTHORITY

The Preparatory Survey on the Project for Rehabilitation of Trunk Road, Phase IV in the Federal Democratic Republic of Ethiopia

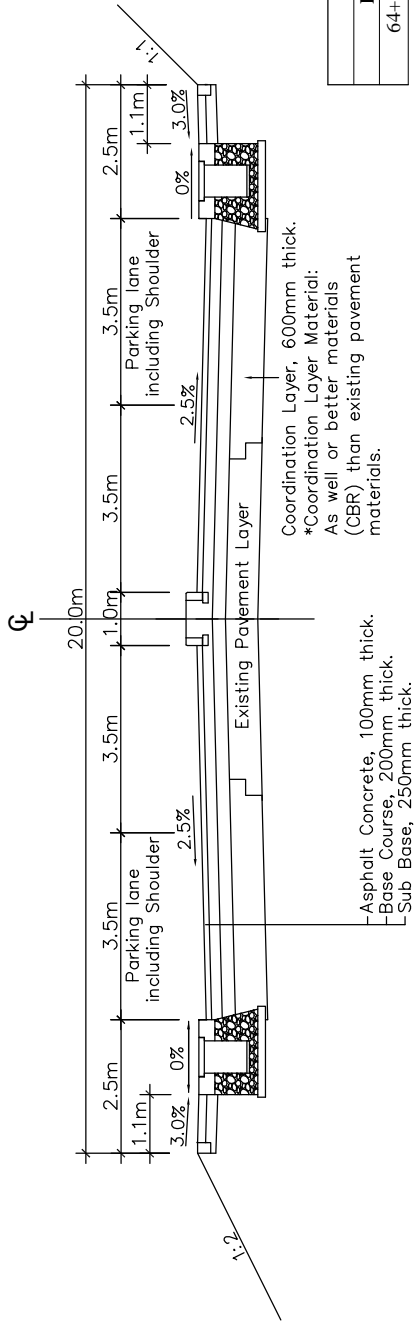
DRAWING TITLE: Oriental Consultants Co., Ltd. Eight-Japan Engineering Consultants Inc.

PREPARED BY: _____ CHECKED BY: _____ APPROVED BY: _____

NAME: _____ SIG NATURE: _____ DATE: _____

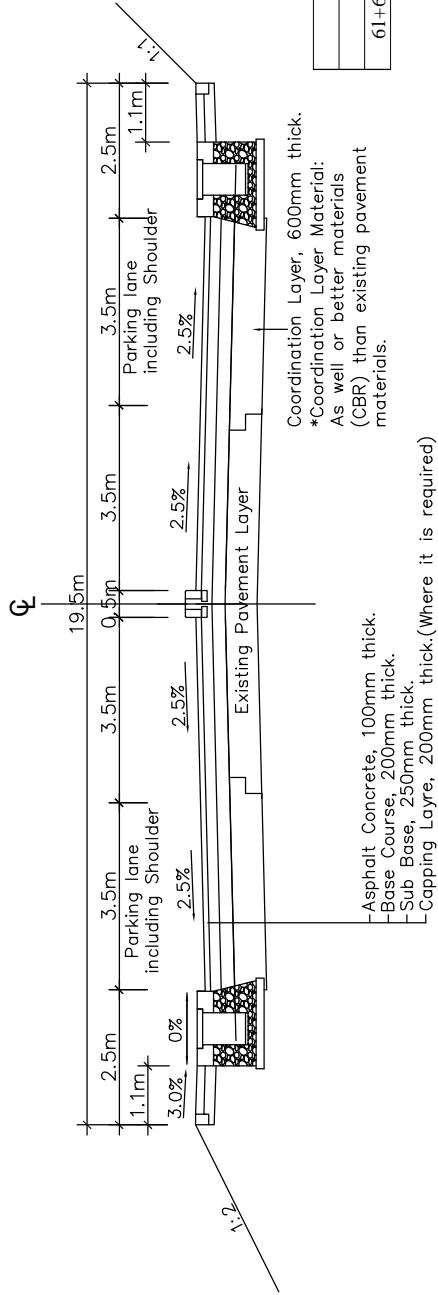
SCALE: 1:5000 SHEET NO. _____ DRAWING NO. _____ REV. NO. _____

Plan and Profile (45/45)



D/Markos Town Center	
Phase II	L=34,938
6+151.4 - End	D/Markos Town Center

D/Markos Town Center (Type-1)



Populated Area in D/Markos	
Phase II	L=34,938
61+691.4 - 64+151.4	D/Markos Town

Populated Area in D/Markos (Type-2)

REMARKS:

JICA JAPAN INTERNATIONAL COOPERATION AGENCY

ETHIOPIAN ROADS AUTHORITY

The Preparatory Survey on the Project for Rehabilitation of Trunk Road, Phase IV in the Federal Democratic Republic of Ethiopia

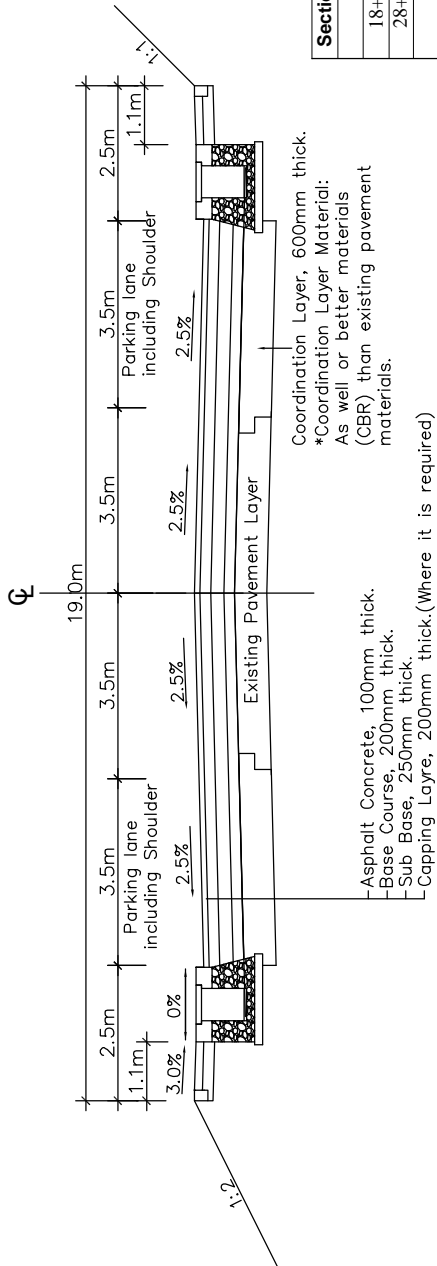
Oriental Consultants Co., Ltd.
 Eight-Japan Engineering Consultants Inc.

NAME	APPROVED BY
SIGNATURE	CHECKED BY
DATE	APPROVED BY

DRAWING TITLE

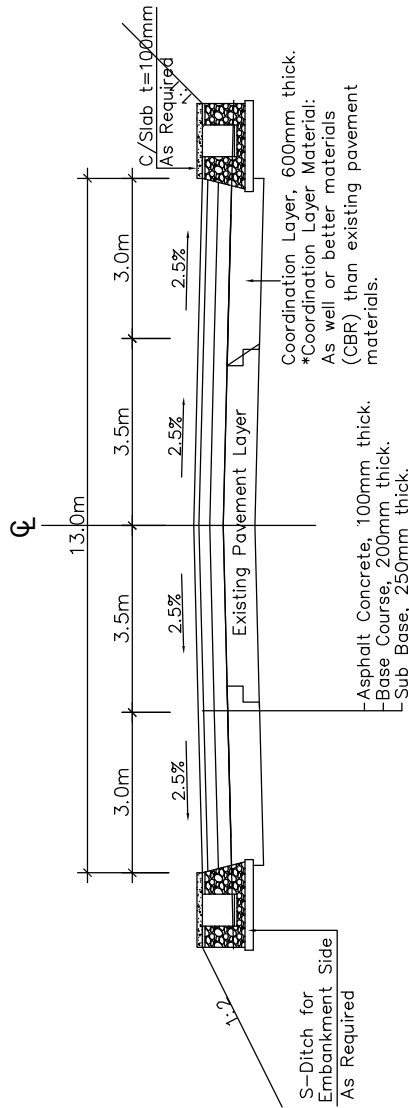
Typical Cross Sections (1)

SCALE	SHEET NO.	DRAWING NO.	REV. NO.
1:100			-



Sections Where Wereda Towns Located	
Phase I	L=30,531km
18+680.0 - 20+160.0	Weyel Town
28+700.0 - 30+400.0	Lumame Town
Phase II	L=34,938
45+531.4 - 36+531.4	Amber Town

Wereda Town Area (Type-3)



Entrance of D/Marikos	
Phase II	L=34,938
60+931.4 - 61+691.4	Entrance of D/M

Entrance of D/Marikos (Type-4)

REMARKS:

JICA JAPAN INTERNATIONAL COOPERATION AGENCY

ETHIOPIAN ROADS AUTHORITY

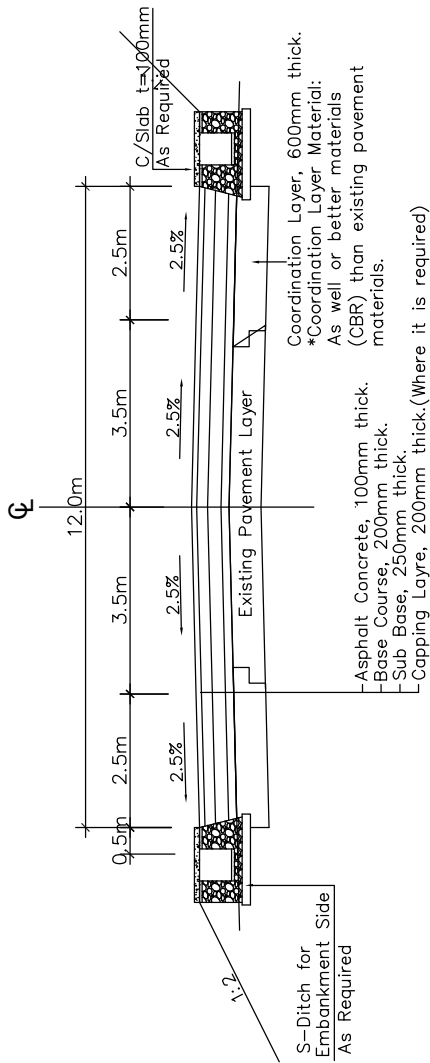
The Preparatory Survey on the Project for Rehabilitation of Trunk Road, Phase IV in the Federal Democratic Republic of Ethiopia

Oriental Consultants Co., Ltd.
Eight-Japan Engineering Consultants Inc.

DRAWING TITLE	
PREPARED BY	APPROVED BY
CHECKED BY	
NAME	
SIGNATURE	
DATE	

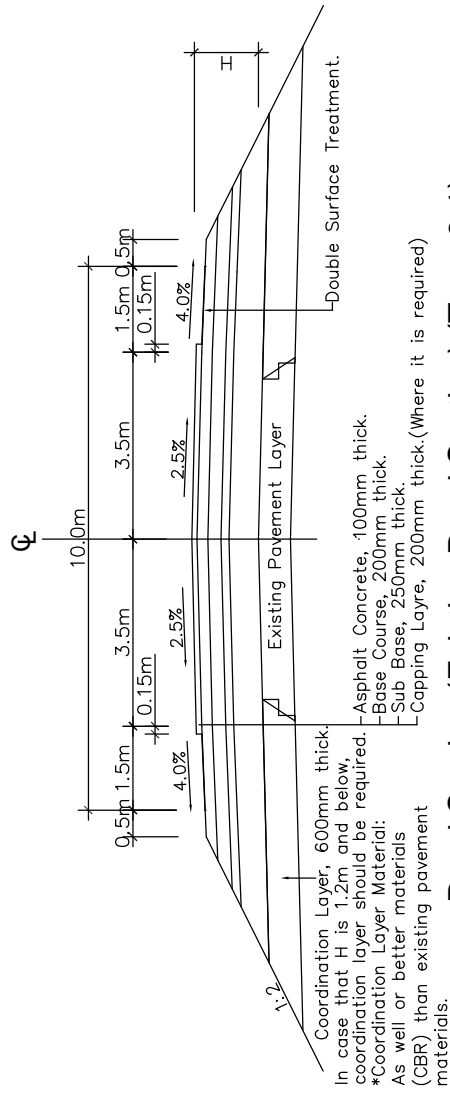
Typical Cross Sections (2)

SCALE	SHEET NO.	DRAWING NO.	REV. NO.
1:100			-



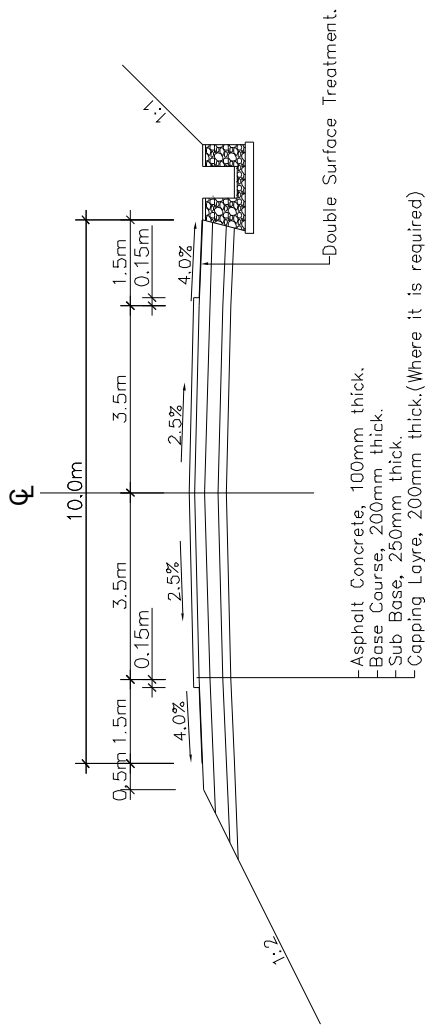
Kebele & End of Dejen (Type-5)

Sections Where Kebele Towns Located	
Phase I	L=30.531km
0+000.0 - 0+500.0	End of Dejen Town
6+800.0 - 9+220.0	Yimora Kebele
24+500.0 - 24+800.0	Yegodena Kebele I
26+700.0 - 27+200.0	Yegodena Kebele 2
Phase II	L=34.938
39+431.4 - 40+31.4	Godelma Kebele
51+991.4 - 52+631.4	Fitiklik Kebele
58+31.4 - 59+31.4	Chemoga Kebele



Rural Section (Existing Road Section) (Type-6-1)

JAPAN INTERNATIONAL COOPERATION AGENCY ETHIOPIAN ROADS AUTHORITY	The Preparatory Survey on the Project for Rehabilitation of Trunk Road, Phase IV in the Federal Democratic Republic of Ethiopia DRAWING TITLE	
	Oriental Consultants Co., Ltd. Eighth-Japan Engineering Consultants Inc.	PREPARED BY CHECKED BY APPROVED BY
REMARKS		Typical Cross Sections (3)
SCALE 1:100		SHEET NO. DRAWING NO. REV. NO.

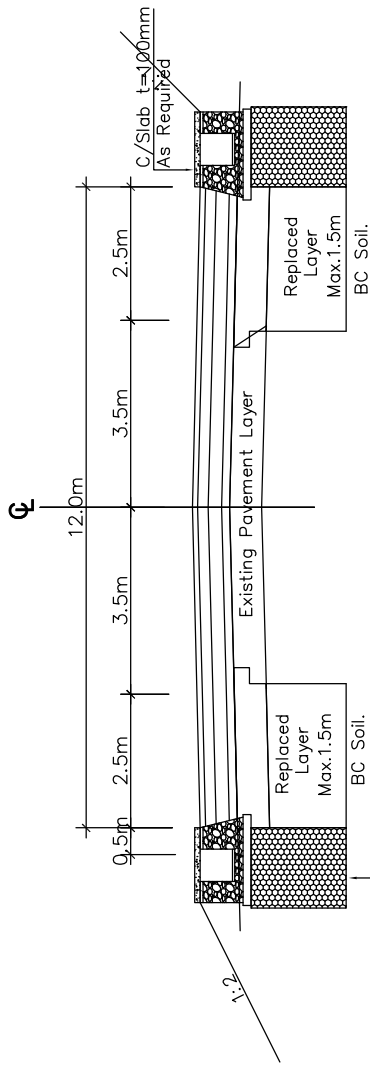


Rural Section (New Road Section) (Type-6-2)

- Asphalt Concrete, 100mm thick.
- Base Course, 200mm thick.
- Sub Base, 250mm thick.
- Capping Layer, 200mm thick. (Where it is required)

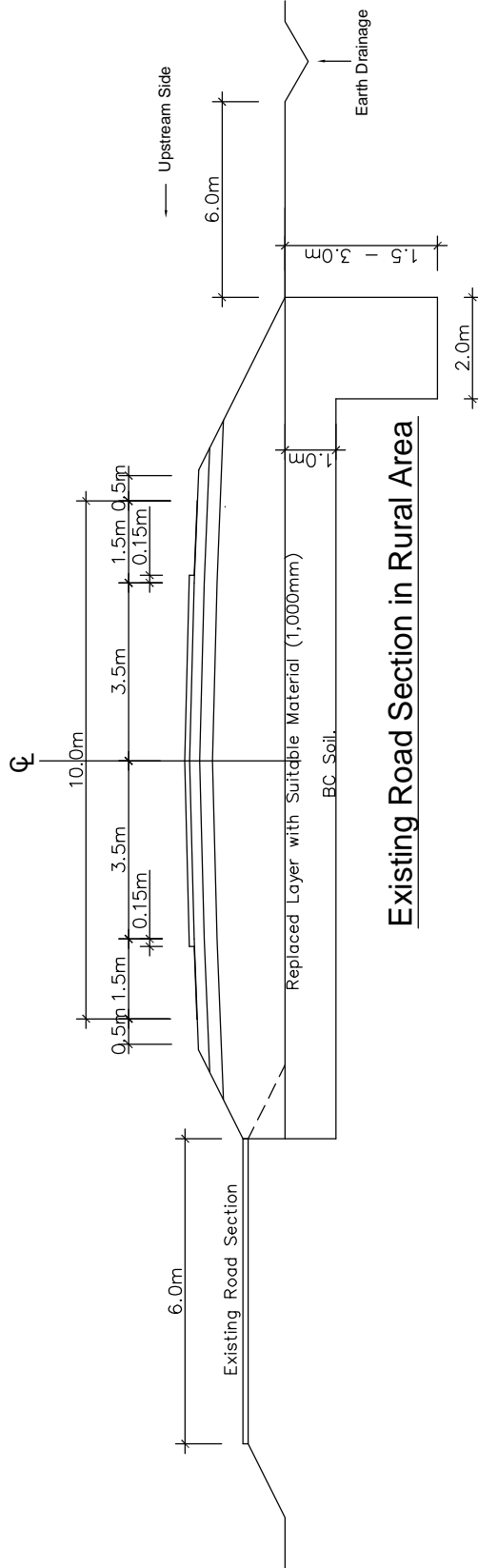
Double Surface Treatment.

 JAPAN INTERNATIONAL COOPERATION AGENCY	 ETHIOPIAN ROADS AUTHORITY		The Preparatory Survey on the Project for Rehabilitation of Trunk Road, Phase IV in the Federal Democratic Republic of Ethiopia			
	Oriental Consultants Co., Ltd. Eight-Japan Engineering Consultants Inc.		DRAWING TITLE Typical Cross Sections (4)			
REMARKS:						
	PREPARED BY	CHECKED BY	APPROVED BY	SCALE	REV. NO.	
NAME	SIGNATURE	DATE	SHEET NO.	DRAWING NO.	REV. NO.	
			1:100		-	



Gabion or Equivalent
*As required:
depending on condition
of water table.

Existing Road Section in Town Area



Existing Road Section in Rural Area

REMARKS:

— JAPAN INTERNATIONAL COOPERATION AGENCY

— ETHIOPIAN ROADS AUTHORITY

The Preparatory Survey on the Project for Rehabilitation of Trunk Road, Phase IV in the Federal Democratic Republic of Ethiopia

DRAWING TITLE

— Oriental Consultants Co., Ltd.

— Eight-Japan Engineering Consultants Inc.

NAME

SIGNATURE

DATE

PREPARED BY

CHECKED BY

APPROVED BY

Countermeasure for BC Soil (1)

SCALE

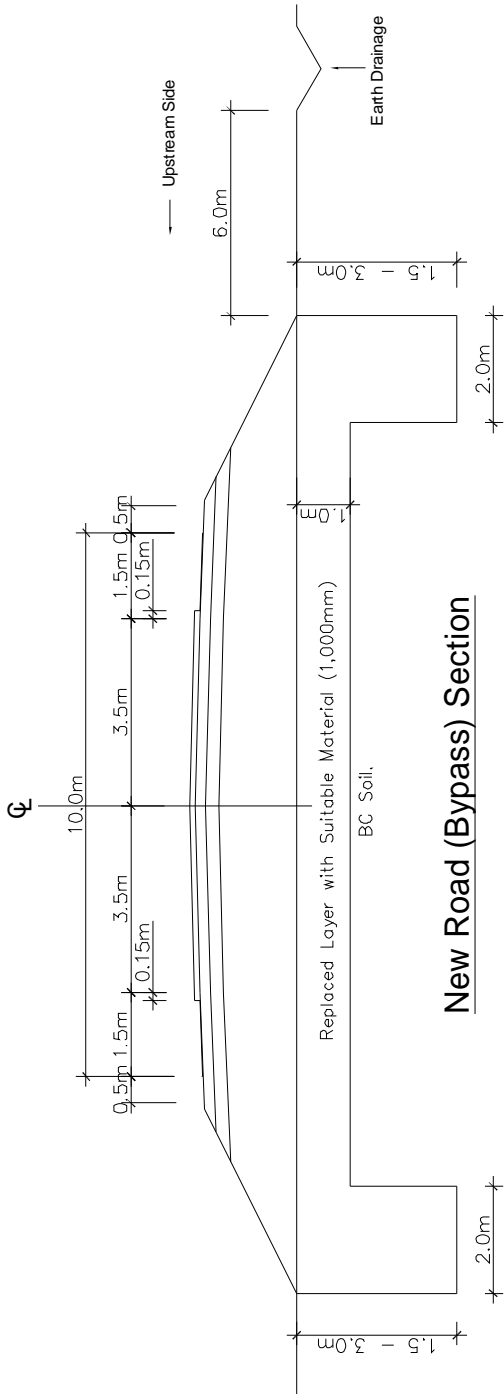
1:100



SHEET NO.

DRAWING NO.

REV. NO.

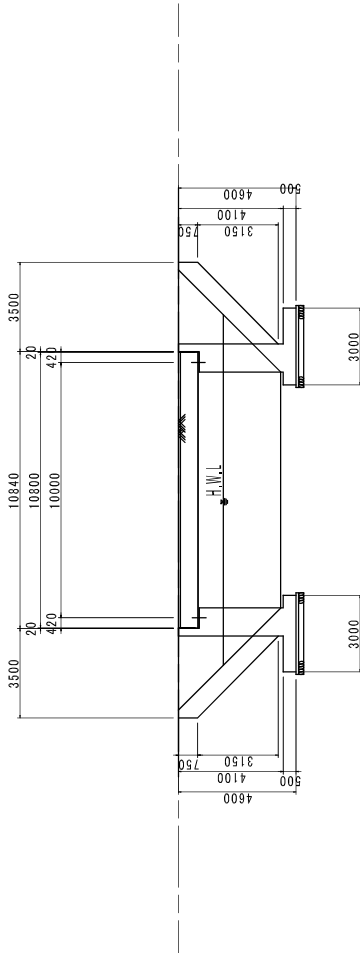
-



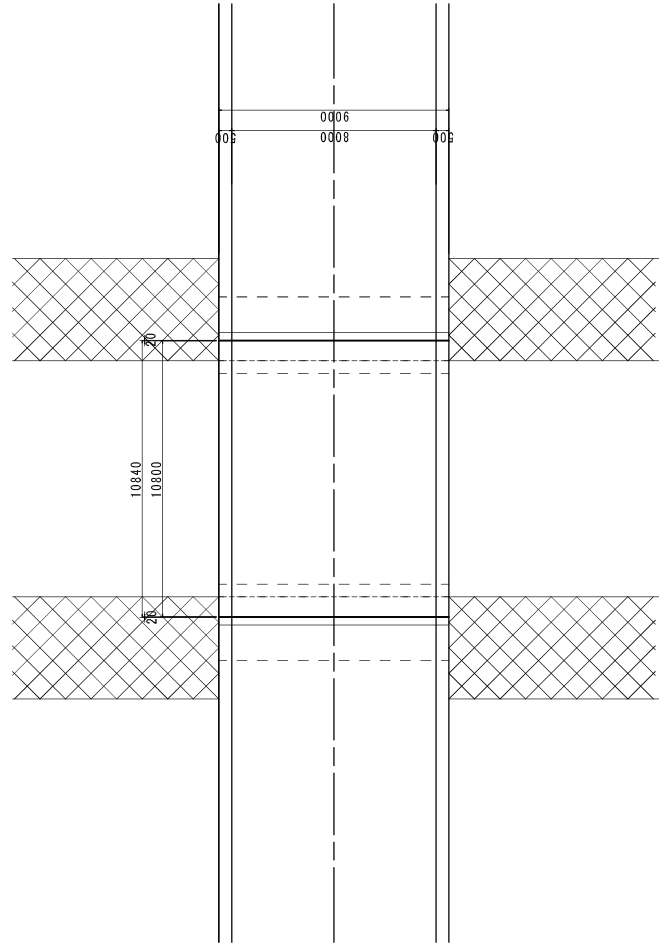
 JAPAN INTERNATIONAL COOPERATION AGENCY	The Preparatory Survey on the Project for Rehabilitation of Trunk Road, Phase IV in the Federal Democratic Republic of Ethiopia	
	Oriental Consultants Co., Ltd. Eight-Japan Engineering Consultants Inc.	
 ETHIOPIAN ROADS AUTHORITY	DRAWING TITLE Countermeasure for BC Soil (2)	
	PREPARED BY NAME SIGNATURE DATE	CHECKED BY NAME SIGNATURE DATE
REMARKS:	SCALE	REV. NO.
	1:100	
	SHEET NO.	DRAWING NO.

GENERAL VIEW

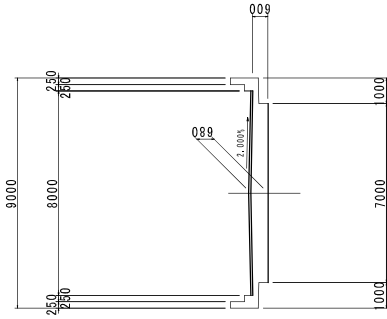
SIDE ELEVATION SCALE 1:100



PLAN SCALE 1:100



CROSS SECTION SCALE 1:100



REMARKS:

JAPAN INTERNATIONAL COOPERATION AGENCY

ETHIOPIAN ROADS AUTHORITY

The Preparatory Survey on the Project for Rehabilitation of Trunk Road, Phase IV in the Federal Democratic Republic of Ethiopia

DRAWING TITLE

Oriental Consultants Co., Ltd.
Eight-Japan Engineering Consultants Inc.

PREPARED BY: _____ CHECKED BY: _____ APPROVED BY: _____

NAME: _____
SIGNATURE: _____
DATE: _____

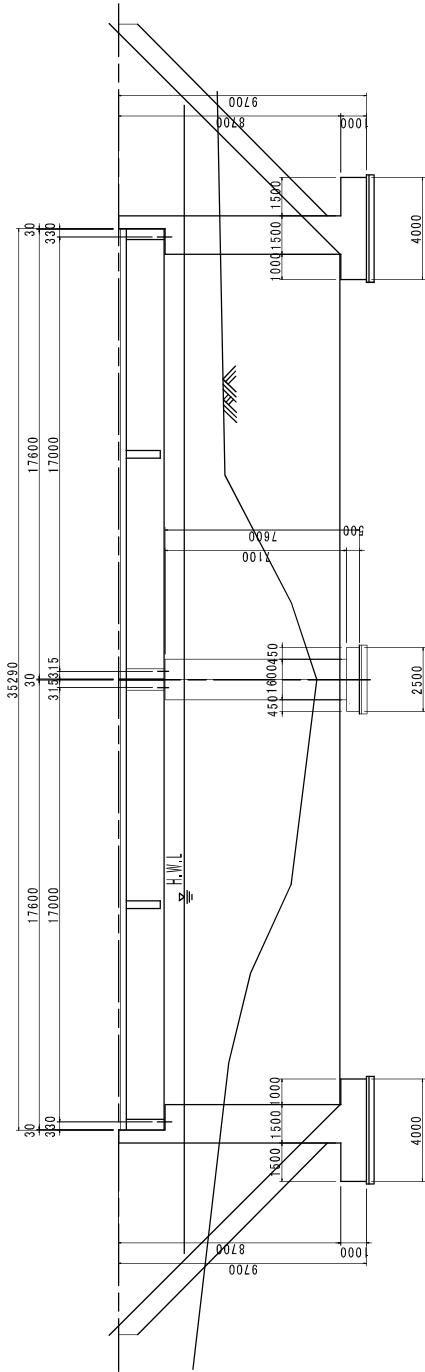
ASAMATECH Bridge

SHEET NO. DRAWING NO. SCALE REV. NO.

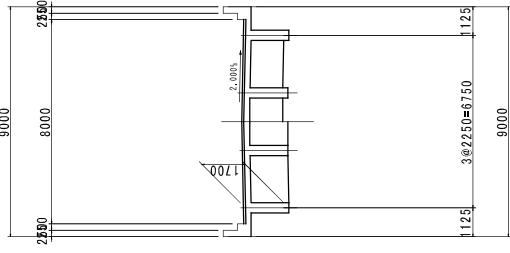
BECHET

GENERAL VIEW

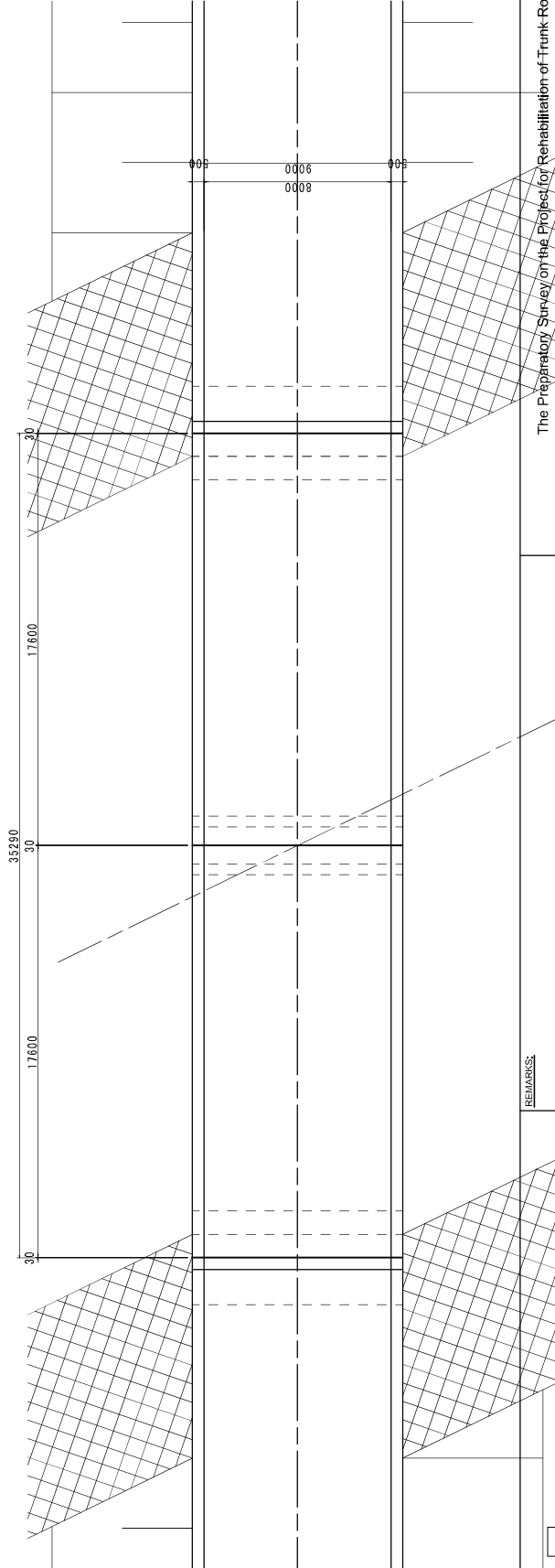
SIDE ELEVATION scale 1:100



CROSS SECTION scale 1:100



PLAN scale 1:100



REMARKS:

JAPAN INTERNATIONAL COOPERATION AGENCY

ETHIOPIA ROAD AUTHORITY

The Preparatory Survey on the Project for Rehabilitation of Trunk Road, Phase IV

DRAWING TITLE

Oriental Consultants Co., Ltd.
Eight-Japan Engineering Consultants Inc.

PREPARED BY: _____ CHECKED BY: _____ APPROVED BY: _____

NAME: _____
SIGNATURE: _____
DATE: _____

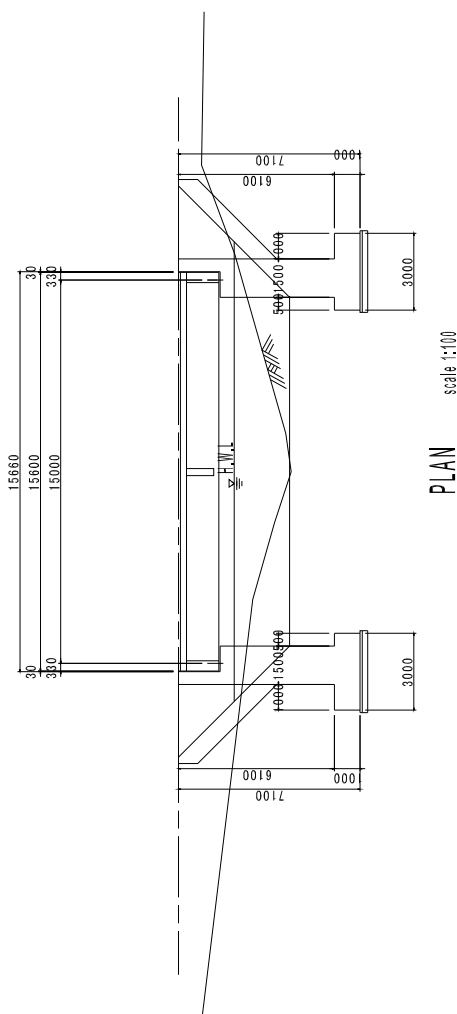
BECHET Bridge

SHEET NO. _____ DRAWING NO. _____ REV. NO. _____

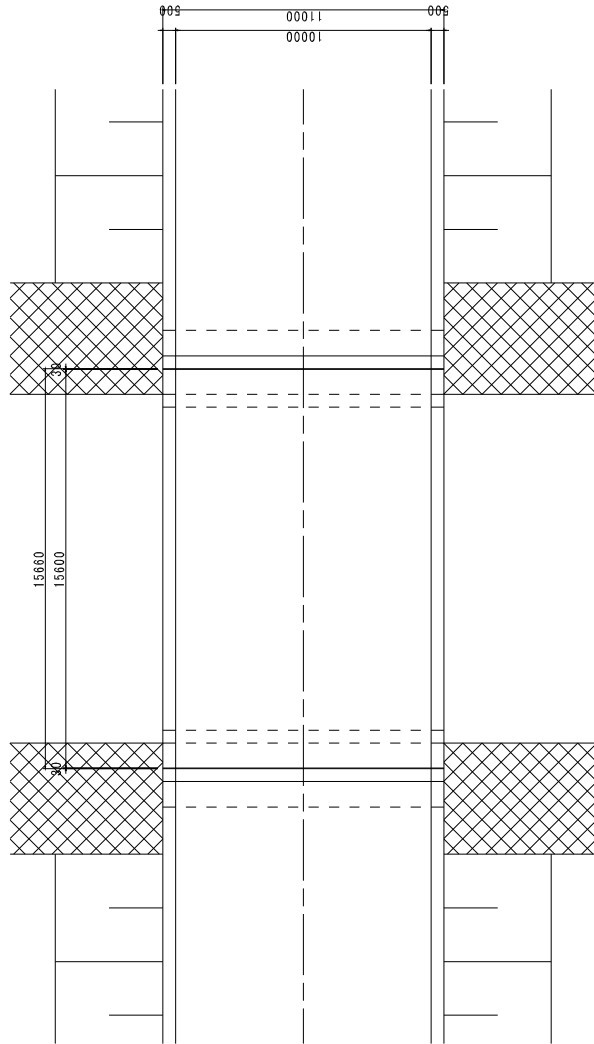
ABA ADEM

GENERAL VIEW

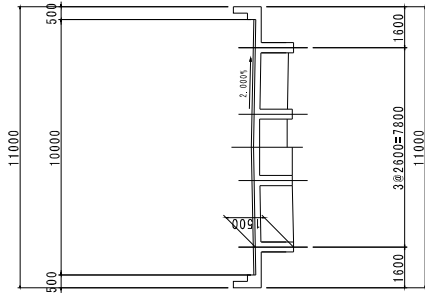
SIDE ELEVATION scale 1:100



PLAN scale 1:100



CROSS SECTION scale 1:100



REMARKS:

JAPAN INTERNATIONAL COOPERATION AGENCY

ETHIOPIAN ROADS AUTHORITY

The Preparatory Survey on the Project for Rehabilitation of Trunk Road, Phase IV in the Federal Democratic Republic of Ethiopia

DRAWING TITLE

Oriental Consultants Co., Ltd.
Eight-Japan Engineering Consultants Inc.

ABA ADEM Bridge

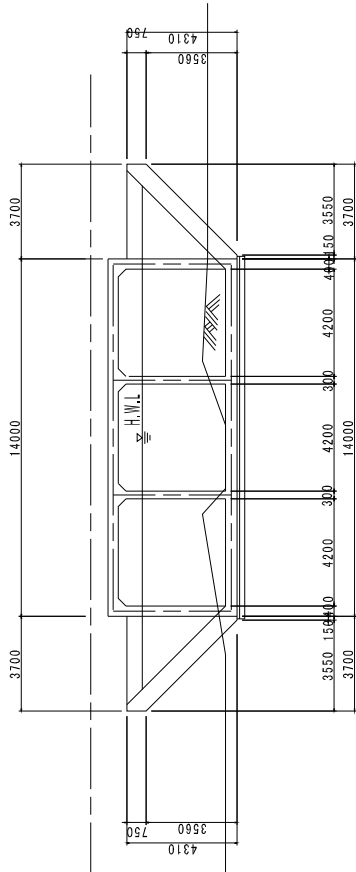
NAME	PREPARED BY	CHECKED BY	APPROVED BY
SIGNATURE			
DATE			

SCALE	SHEET NO.	DRAWING NO.	REV. NO.

Abeya

SIDE ELEVATION

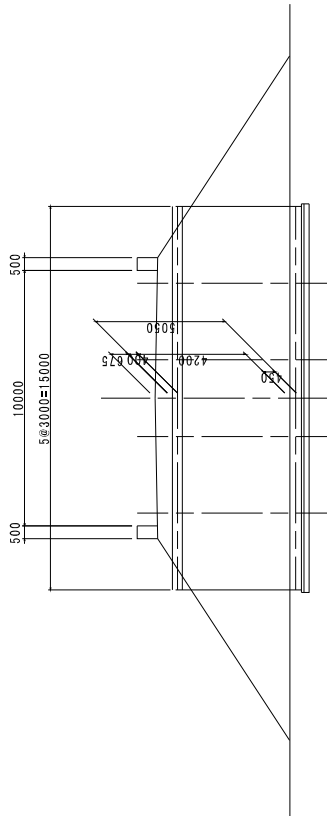
scale 1:100



GENERAL VIEW

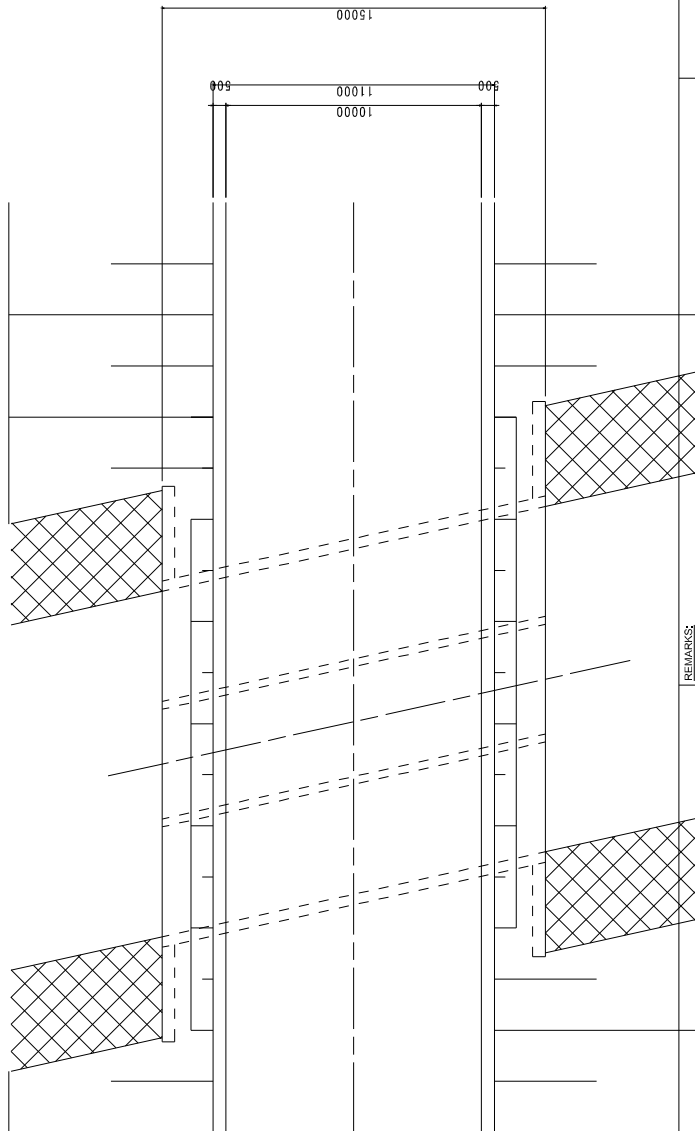
CROSS SECTION

scale 1:100



PLAN

scale 1:100



REMARKS:

JAPAN INTERNATIONAL COOPERATION AGENCY

ETHIOPIAN ROADS AUTHORITY

The Preparatory Survey on the Project for Rehabilitation of Trunk Road, Phase IV in the Federal Democratic Republic of Ethiopia

DRAWING TITLE

Oriental Consultants Co., Ltd.
Eight-Japan Engineering Consultants Inc.

ABEYA Box Culvert

PREPARED BY

CHECKED BY

APPROVED BY

NAME

SIGNATURE

DATE

SCALE

SHEET NO.

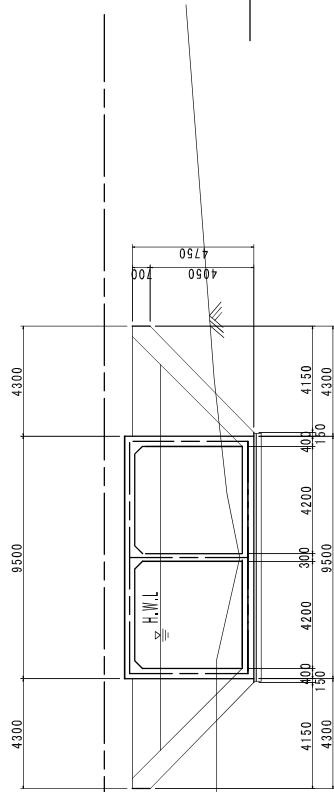
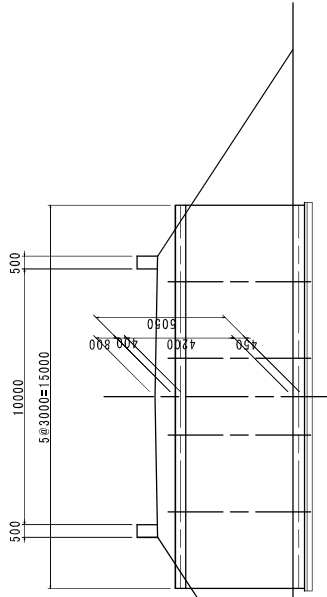
DRAWING NO.

REV. NO.

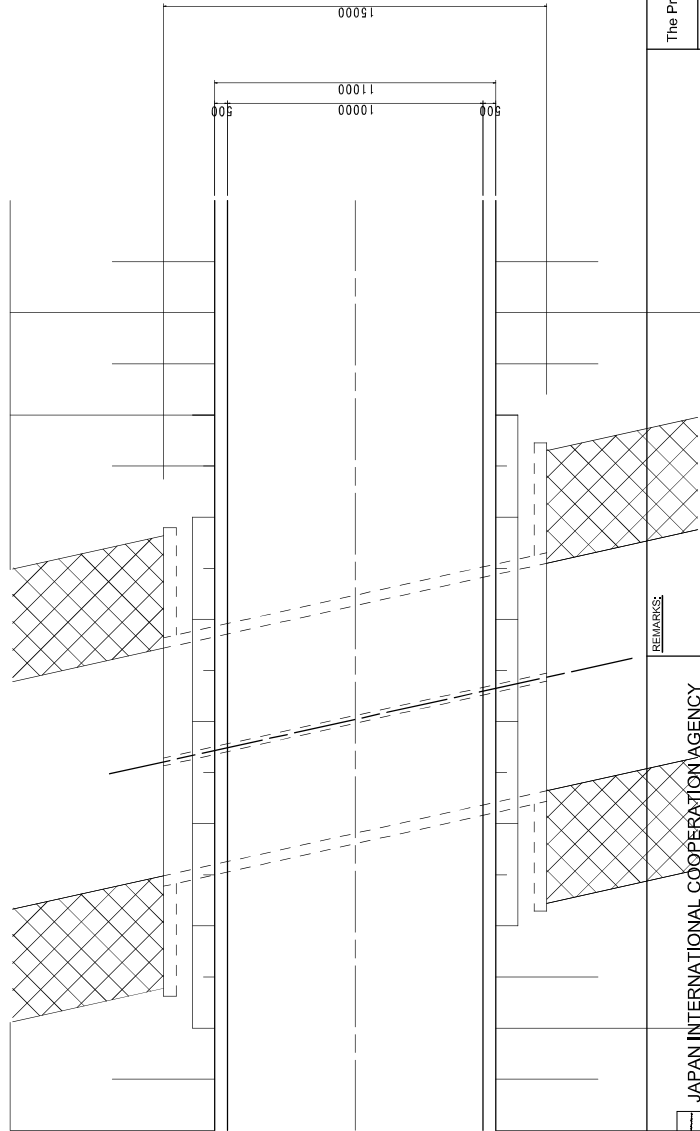
GENERAL VIEW

CROSS SECTION

SIDE ELEVATION



PLAN



The Preparatory Survey on the Project for Rehabilitation of Trunk Road, Phase IV in the Federal Democratic Republic of Ethiopia

DRAWING TITLE		YEKEYET Box Culvert	
ORIENTAL CONSULTANTS CO., LTD.	EIGHT-JAPAN ENGINEERING CONSULTANTS INC.	PREPARED BY	CHECKED BY
		APPROVED BY	
NAME	SIGNATURE	SHEET NO.	DRAWING NO.
DATE		SCALE	REV. NO.

REMARKS:

JAPAN INTERNATIONAL COOPERATION AGENCY

ETHIOPIAN ROADS AUTHORITY

GETLA

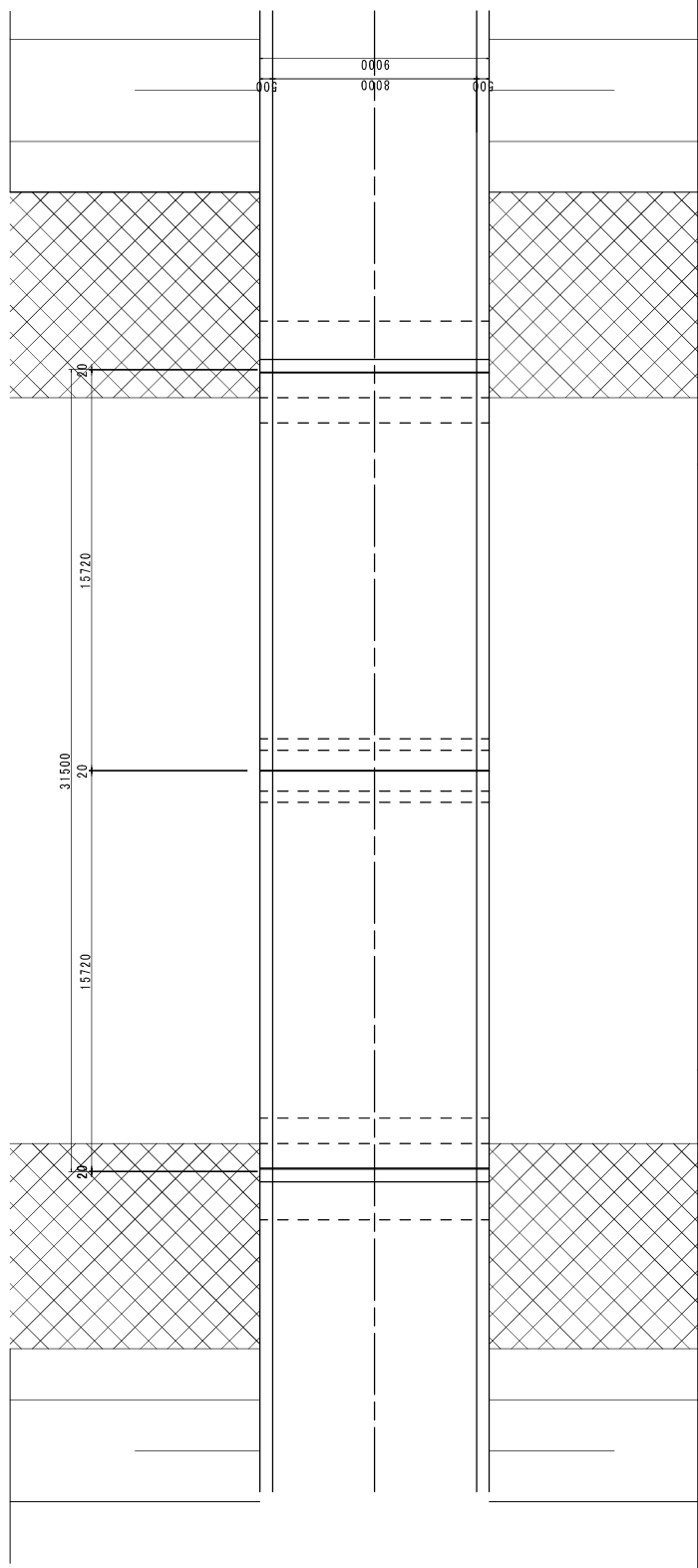
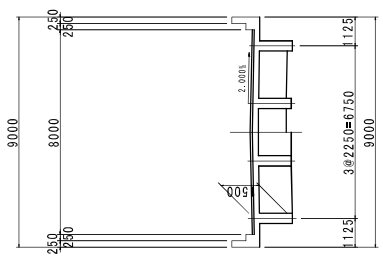
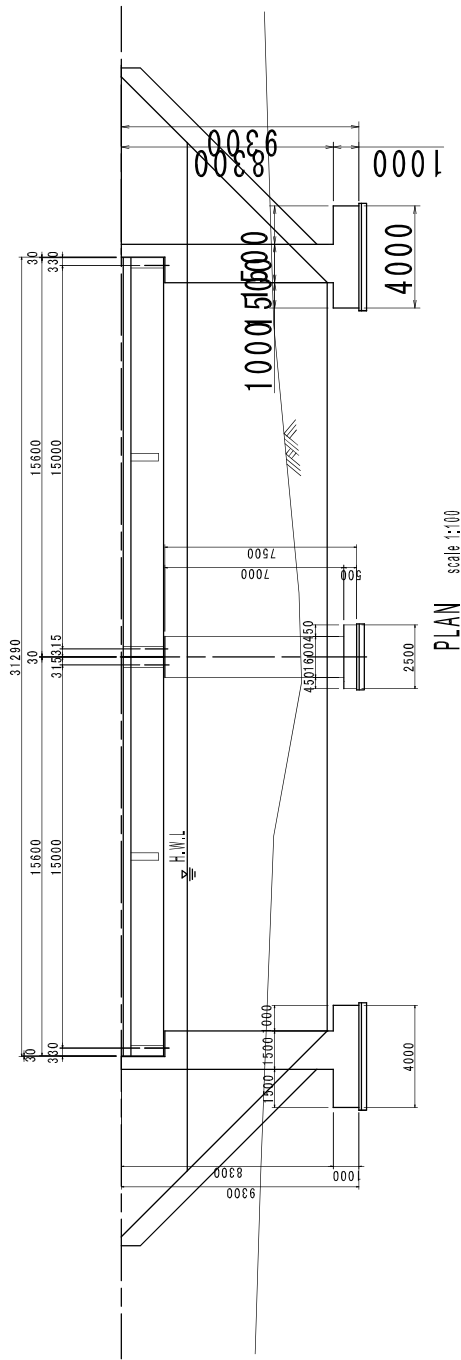
SIDE ELEVATION

scale 1:100

GENERAL VIEW

CROSS SECTION

scale 1:100



REMARKS:

JAPAN INTERNATIONAL COOPERATION AGENCY

The Preparatory Survey on the Project for Rehabilitation of Trunk Road, Phase IV in the Federal Democratic Republic of Ethiopia

Oriental Consultants Co., Ltd.
Eight-Japan Engineering Consultants Inc.

NAME	CHECKED BY	APPROVED BY
SIGNATURE		
DATE		

DRAWING TITLE		
GETLA Bridge		
SHEET NO.	DRAWING NO.	REV. NO.

ETHIOPIAN ROADS AUTHORITY

MINT KAT

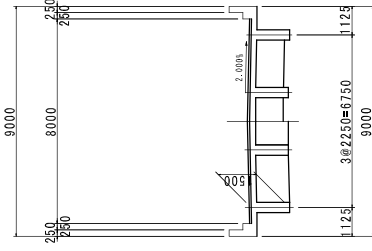
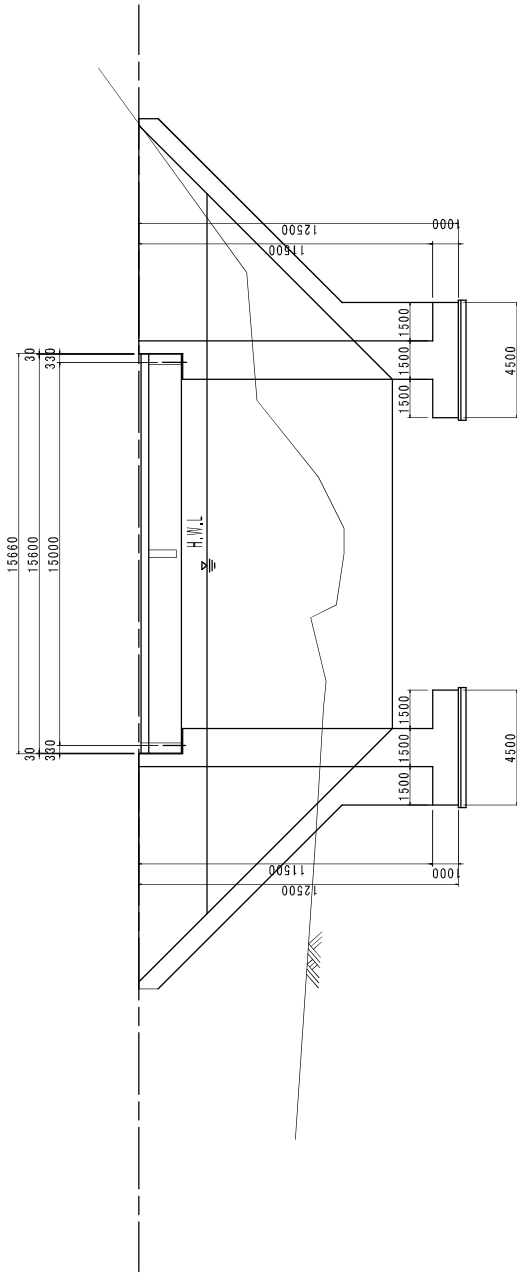
SIDE ELEVATION

scale 1:100

GENERAL VIEW

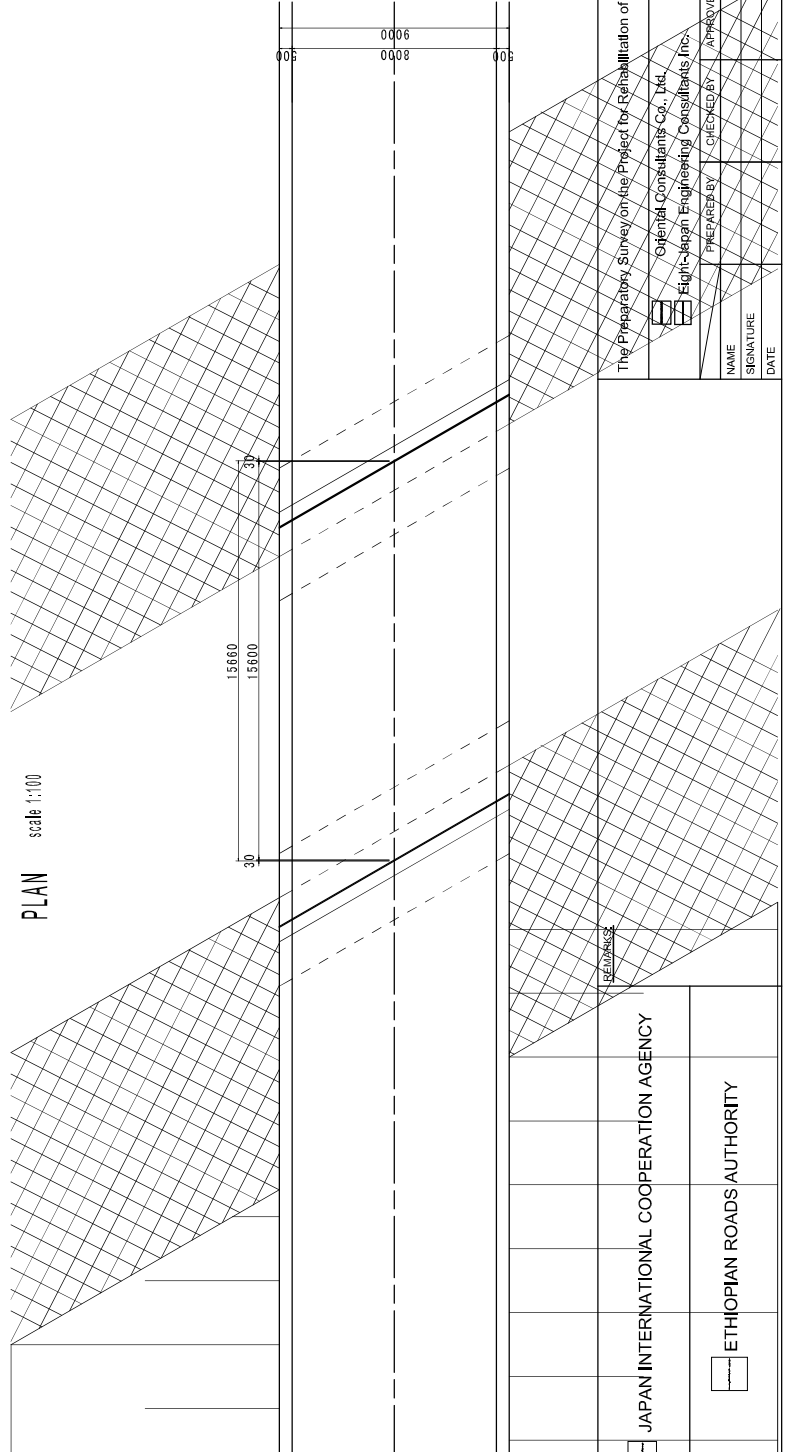
CROSS SECTION

scale 1:100



PLAN

scale 1:100

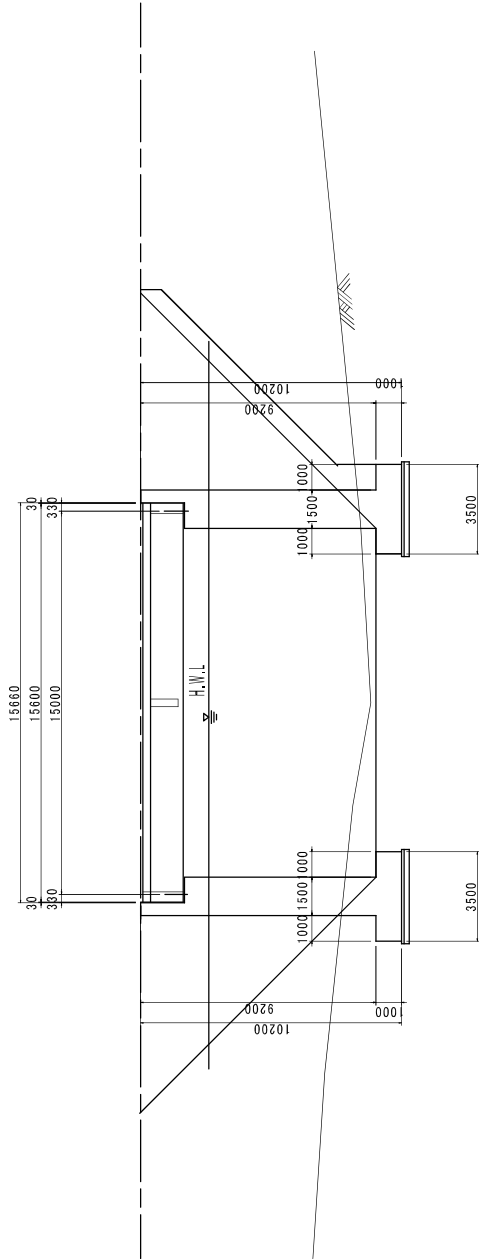


<p>The Preparatory Survey on the Project for Rehabilitation of Trunk Road, Phase IV in the Federal Democratic Republic of Ethiopia</p>		<p>DRAWING TITLE</p>	
<p>Prepared by: _____</p>		<p>Checked by: _____</p>	
<p>Approved by: _____</p>		<p>Scale: _____</p>	
<p>NAME: _____</p>		<p>SHEET NO. DRAWING NO. REV. NO.</p>	
<p>SIGNATURE: _____</p>		<p>MINT KAT Bridge</p>	
<p>DATE: _____</p>		<p>REMARKS</p>	
<p>JAPAN INTERNATIONAL COOPERATION AGENCY</p>		<p>ETHIOPIAN ROADS AUTHORITY</p>	

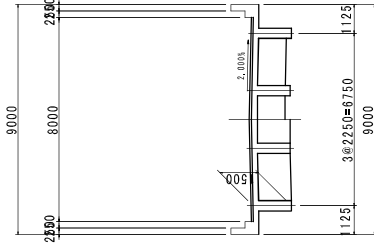
ZIBA

GENERAL VIEW

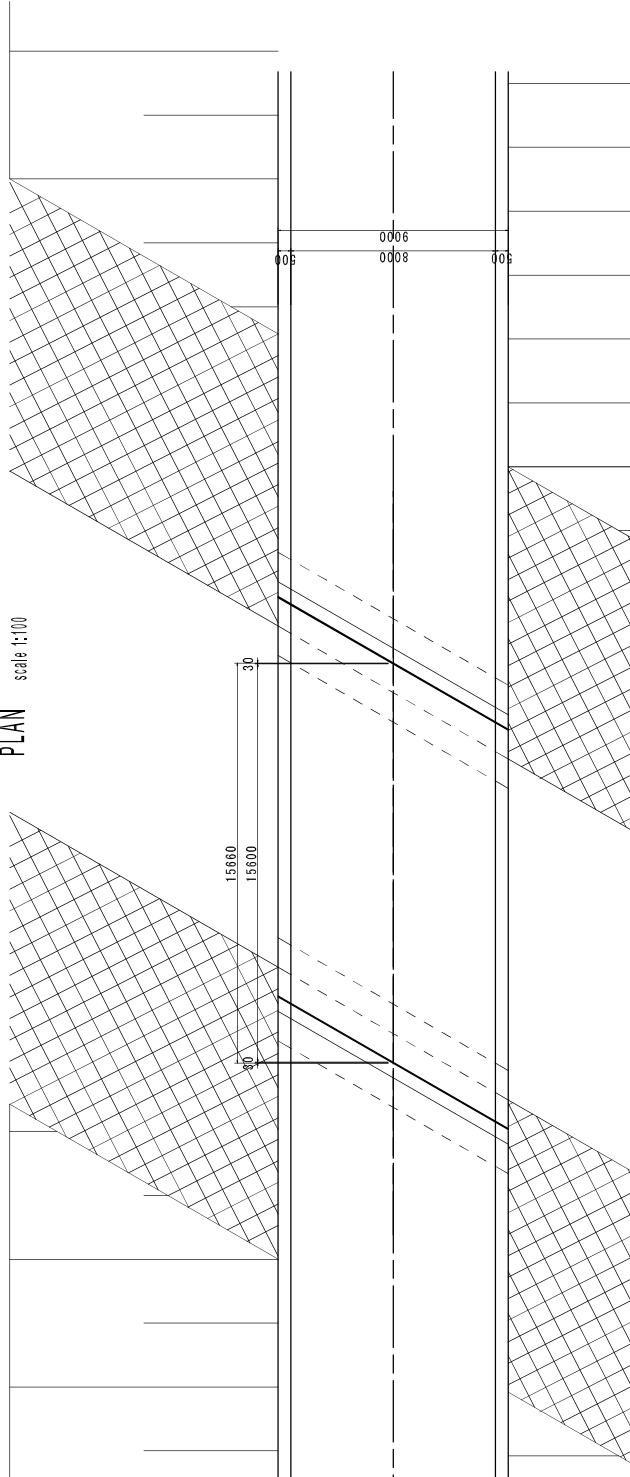
SIDE ELEVATION scale 1:100



CROSS SECTION scale 1:100



PLAN scale 1:100



REMARKS:

JAPAN INTERNATIONAL COOPERATION AGENCY

ETHIOPIAN ROADS AUTHORITY

The Preparatory Survey on the Project for Rehabilitation of Trunk Road, Phase IV in the Federal Democratic Republic of Ethiopia

DRAWING TITLE

Oriental Consultants Co., Ltd.
Eight-Japan Engineering Consultants Inc.

ZIBA Bridge

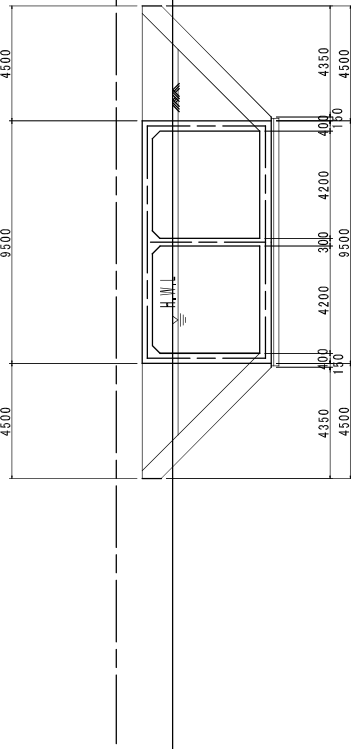
NAME	PREPARED BY	CHECKED BY	APPROVED BY
SIGNATURE			
DATE			

SCALE	SHEET NO.	DRAWING NO.	REV. NO.

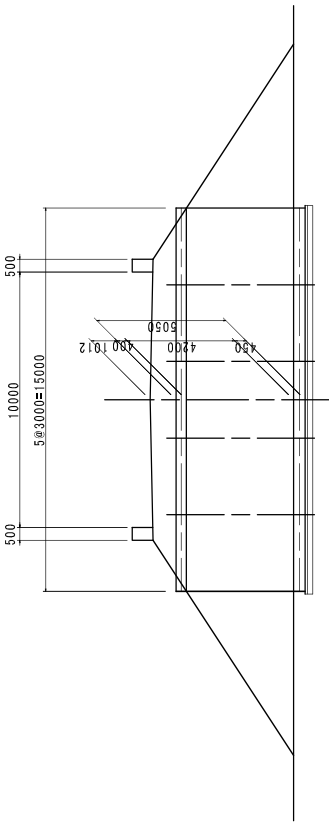
Yeda-a

GENERAL VIEW

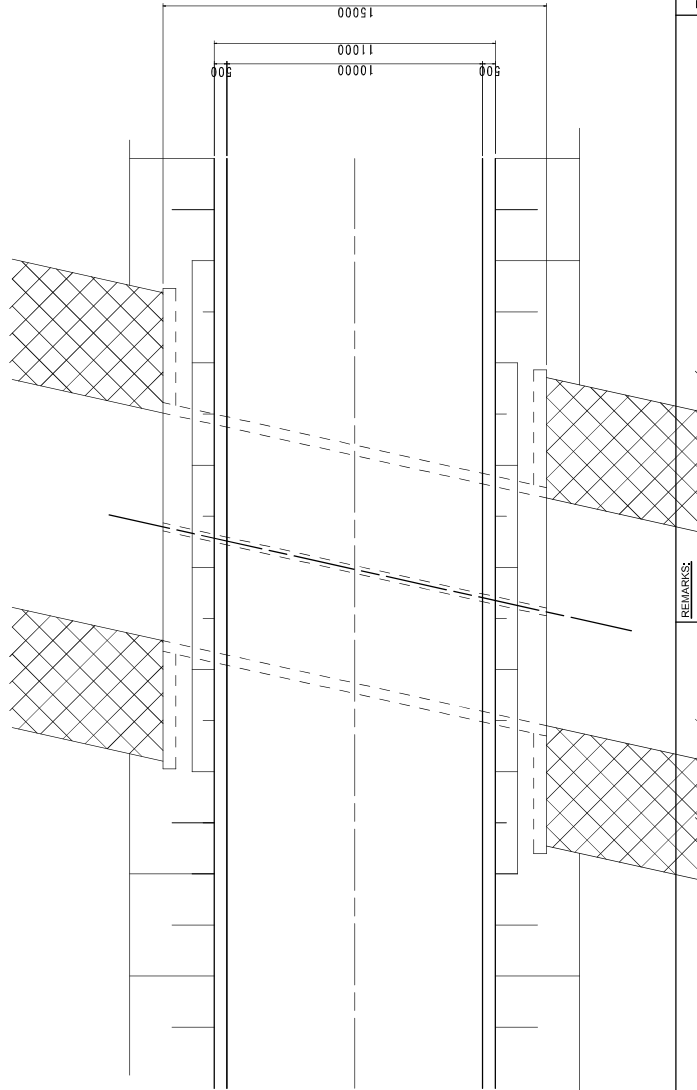
SIDE ELEVATION scale 1:100



CROSS SECTION scale 1:100



PLAN scale 1:100



REMARKS:

JAPAN INTERNATIONAL COOPERATION AGENCY

ETHIOPIAN ROADS AUTHORITY

The Preparatory Survey on the Project for Rehabilitation of Trunk Road, Phase IV in the Federal Democratic Republic of Ethiopia

DRAWING TITLE

YEDA-A Box Culvert

Oriental Consultants Co., Ltd.
Eight-Japan Engineering Consultants Inc.

PREPARED BY CHECKED BY APPROVED BY

NAME SIGNATURE DATE

SCALE

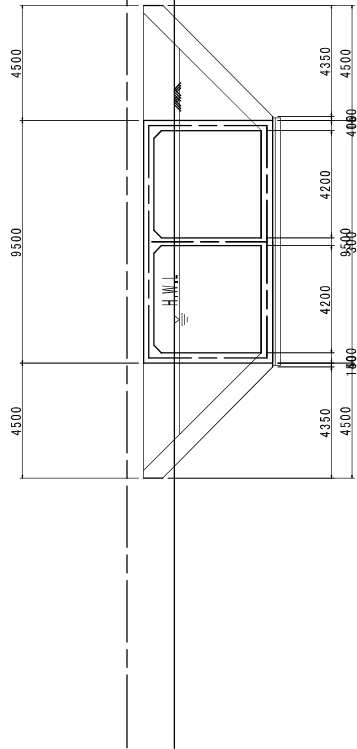
SHEET NO. DRAWING NO.

REV. NO.

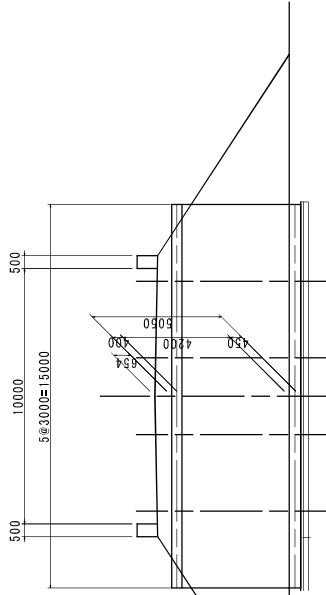
Yeda-b

GENERAL VIEW

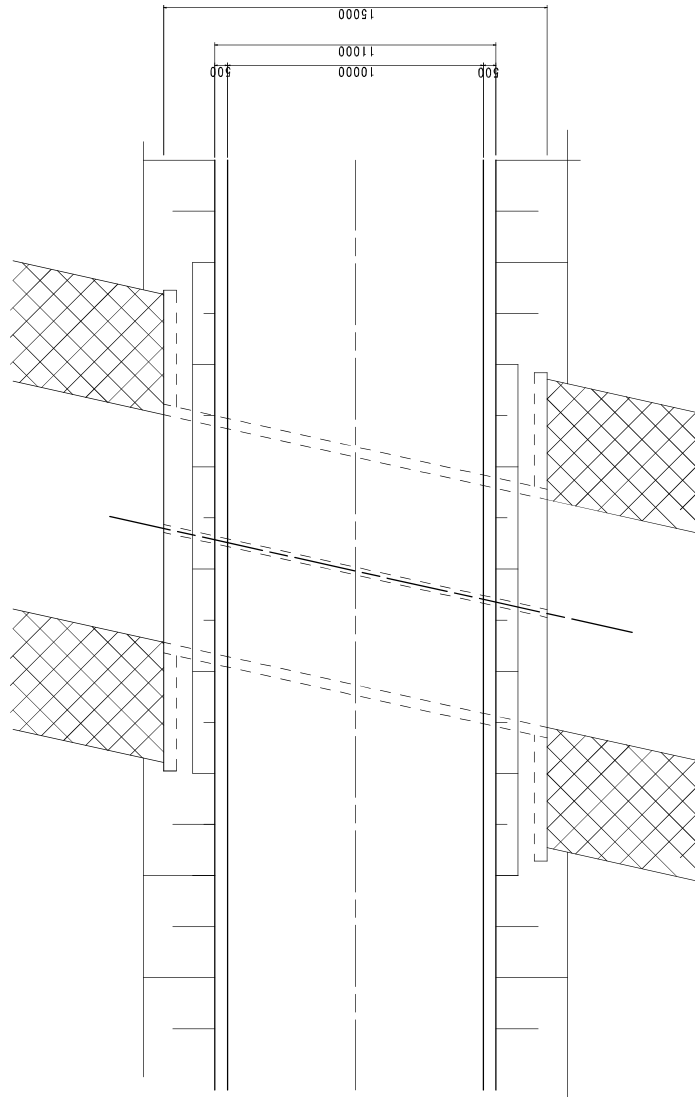
SIDE ELEVATION scale 1:100



CROSS SECTION scale 1:100



PLAN scale 1:100



REMARKS:

JAPAN INTERNATIONAL COOPERATION AGENCY

ETHIOPIAN ROADS AUTHORITY

The Preparatory Survey on the Project for Rehabilitation of Trunk Road, Phase IV in the Federal Democratic Republic of Ethiopia

DRAWING TITLE

Oriental Consultants Co., Ltd.
Eight-Japan Engineering Consultants Inc.

YEDA-B Box Culvert

PREPARED BY CHECKED BY APPROVED BY

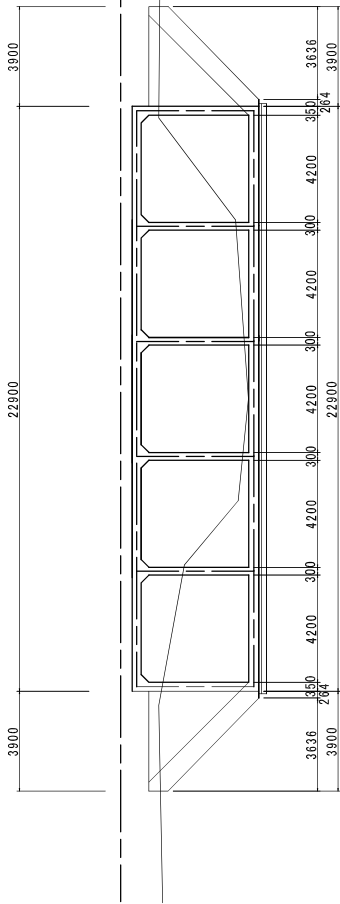
NAME SIGNATURE DATE

SCALE SHEET NO. DRAWING NO. REV. NO.

Yeda-c

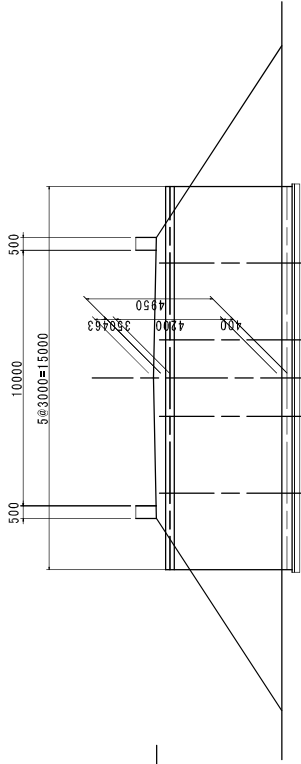
SIDE ELEVATION

scale 1:100



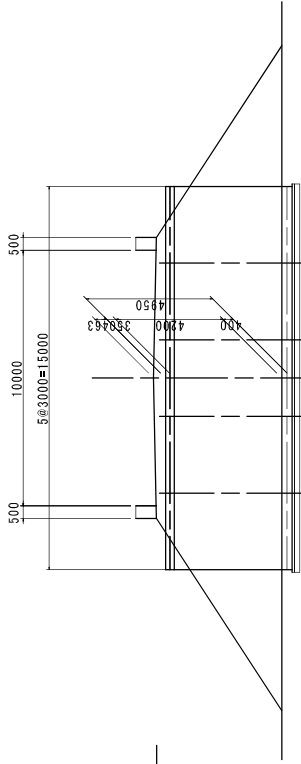
GENERAL VIEW

scale 1:100



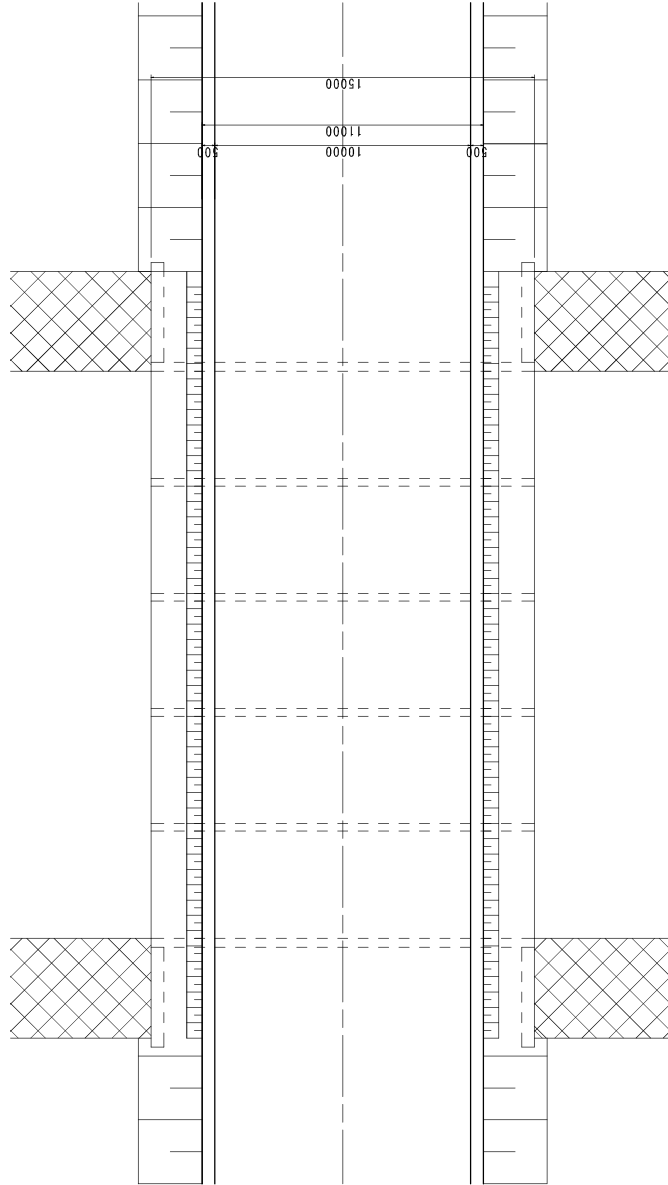
CROSS SECTION

scale 1:100



PLAN

scale 1:100



REMARKS:

JAPAN INTERNATIONAL COOPERATION AGENCY

ETHIOPIAN ROADS AUTHORITY

The Preparatory Survey on the Project for Rehabilitation of Trunk Road, Phase IV in the Federal Democratic Republic of Ethiopia (FTRP)

DRAWING TITLE

YEDA-C Box Culvert

Oriental Consultants Co., Ltd.

Eight-Japan Engineering Consultants Inc.

PREPARED BY

CHECKED BY

APPROVED BY

NAME

SIGNATURE

DATE

SCALE

SHEET NO. DRAWING NO.

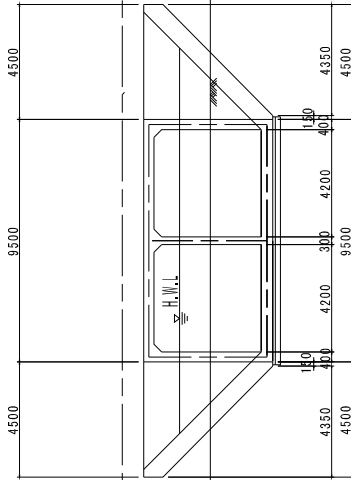
REV. NO.

AMBESH

GENERAL VIEW

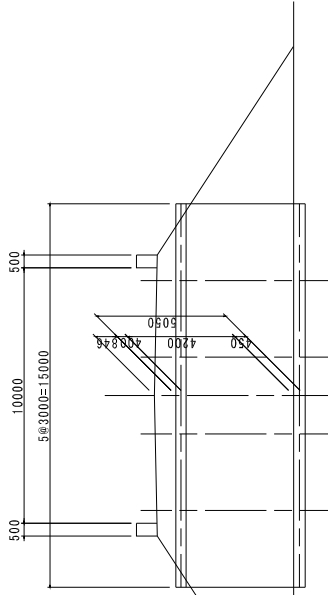
SIDE ELEVATION

scale 1:100



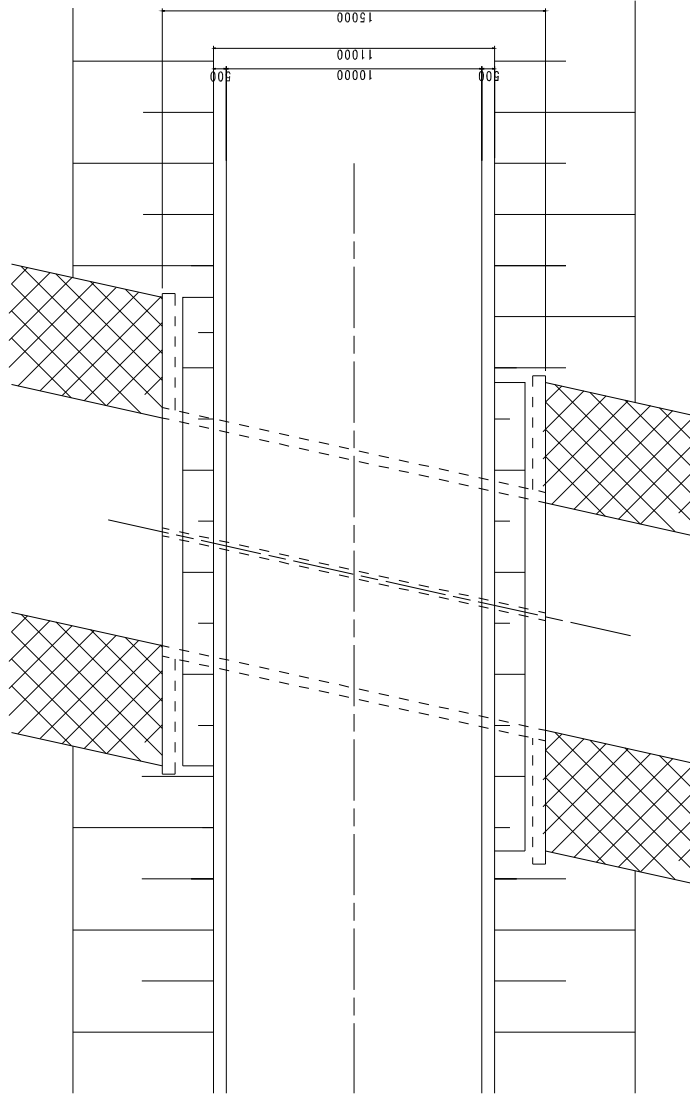
CROSS SECTION

scale 1:100



PLAN

scale 1:100



REMARKS:

JAPAN INTERNATIONAL COOPERATION AGENCY

ETHIOPIAN ROADS AUTHORITY

The Preparatory Survey on the Project for Rehabilitation of Trunk Road, Phase IV in the Federal Democratic Republic of Ethiopia

DRAWING TITLE

AMBESH Box Culvert

Oriental Consultants Co., Ltd.

Eight-Japan Engineering Consultants Inc.

PREPARED BY CHECKED BY APPROVED BY

NAME

SIGNATURE

DATE

SCALE

SHEET NO. DRAWING NO.

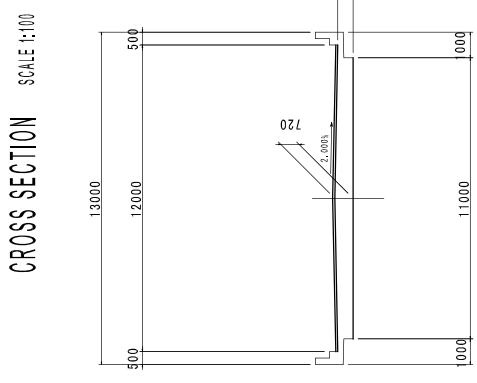
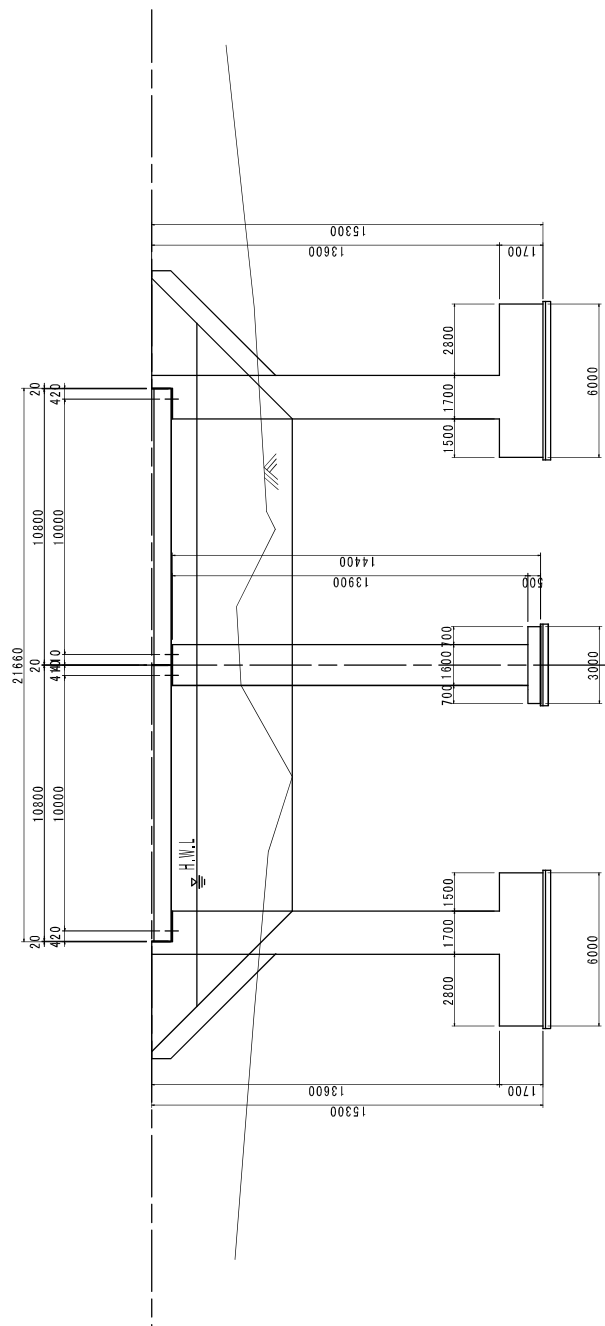
REV. NO.

WISETA

SIDE ELEVATION

SCALE 1:100

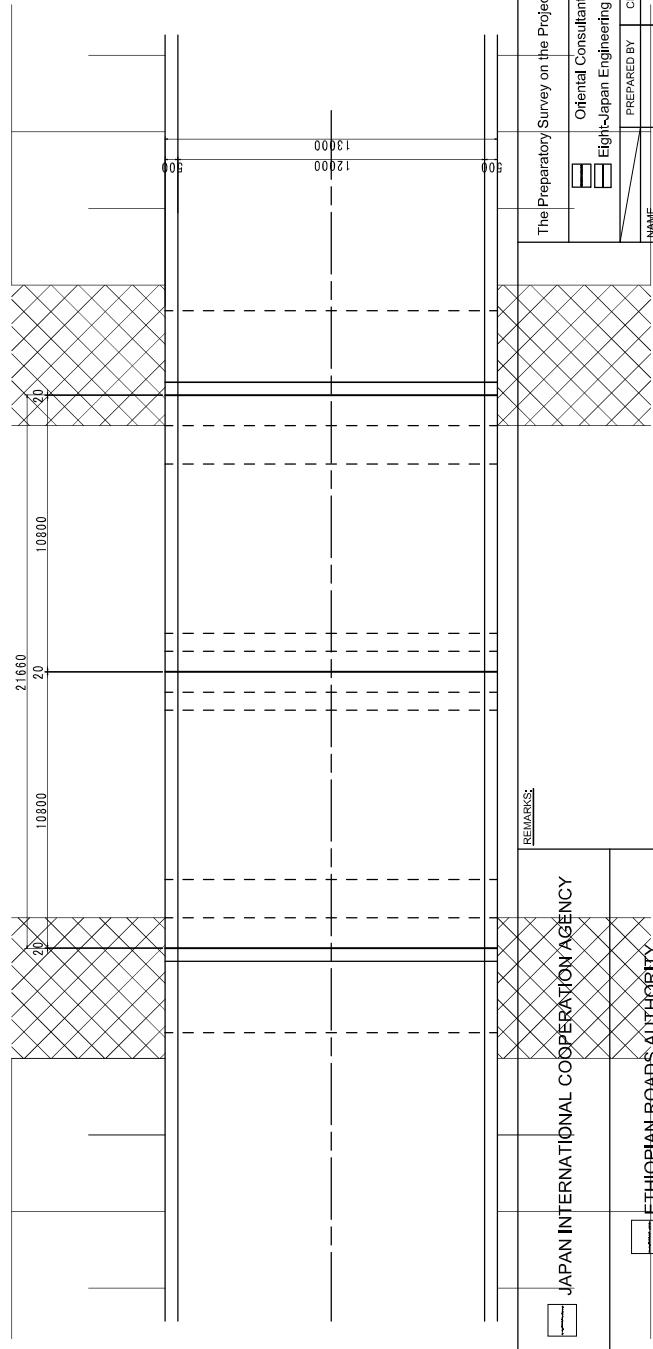
GENERAL VIEW



CROSS SECTION SCALE 1:100

PLAN

SCALE 1:100



REMARKS:

JAPAN INTERNATIONAL COOPERATION AGENCY

ETHIOPIAN ROADS AUTHORITY

The Preparatory Survey on the Project for Rehabilitation of Trunk Road, Phase IV in the Federal Democratic Republic of Ethiopia

Oriental Consultants Co., Ltd.

Eight-Japan Engineering Consultants Inc.

DRAWING TITLE

WISETA Bridge

PREPARED BY: _____ CHECKED BY: _____ APPROVED BY: _____

NAME: _____ SIGNATURE: _____ DATE: _____

SCALE

SHEET NO. DRAWING NO.

REV. NO.