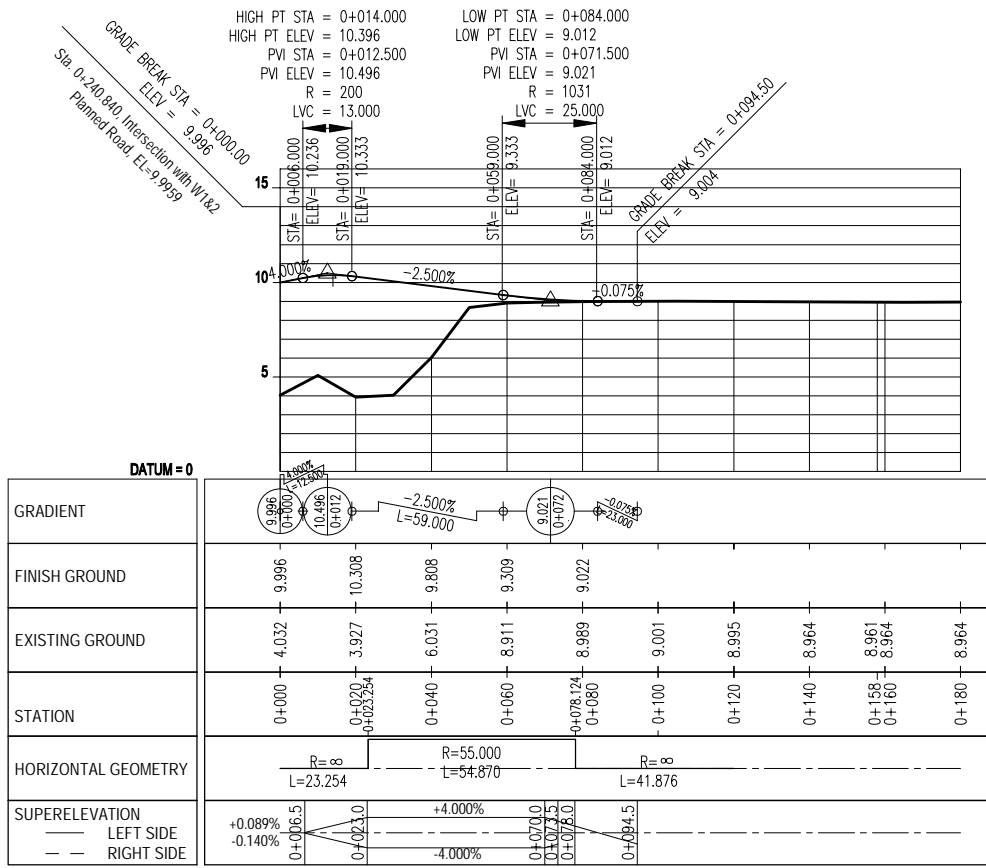
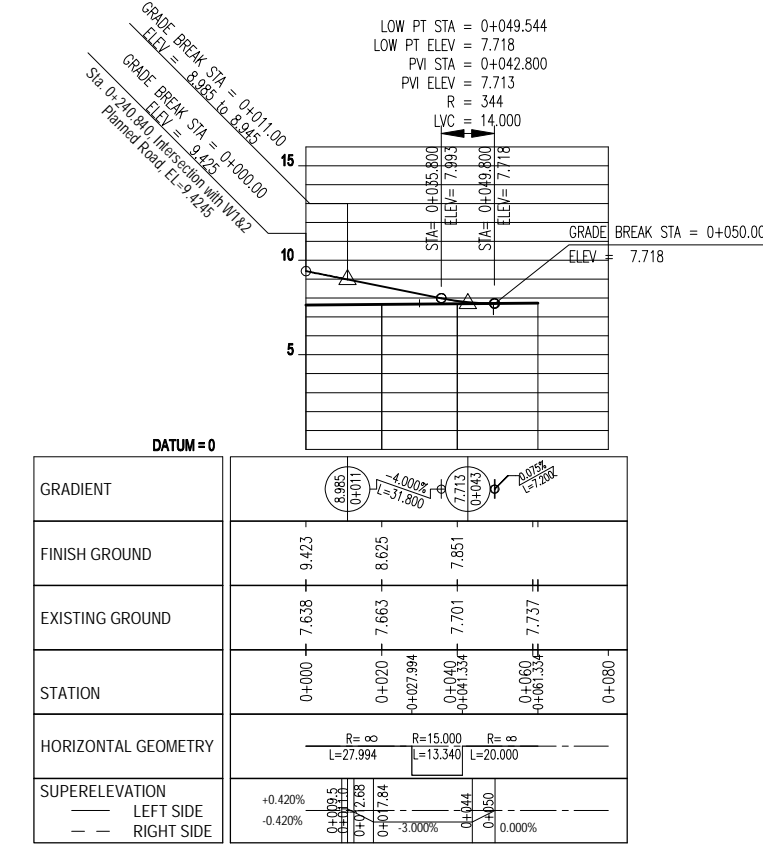


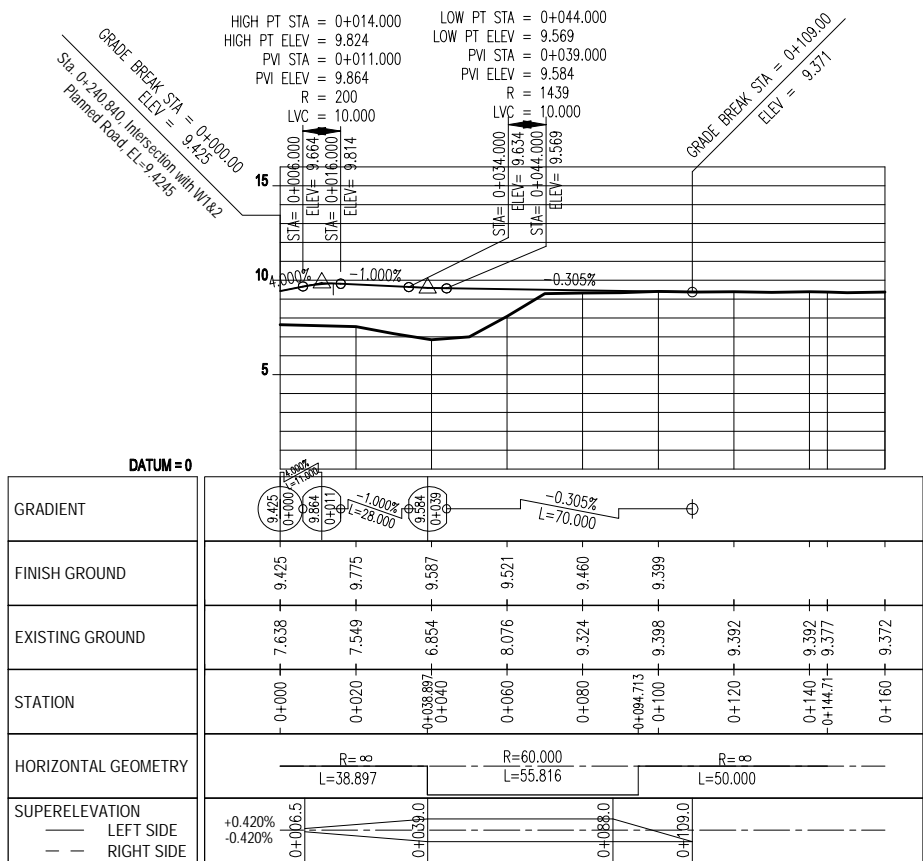
MINOR ROAD-E1 PROFILE



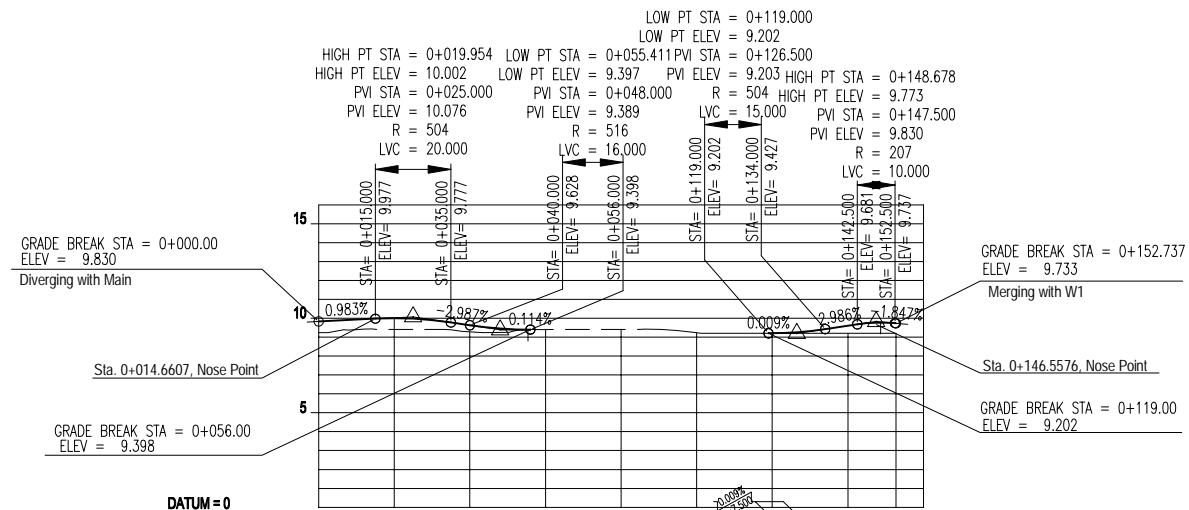
MINOR ROAD-W2 PROFILE



MINOR ROAD-W1 PROFILE

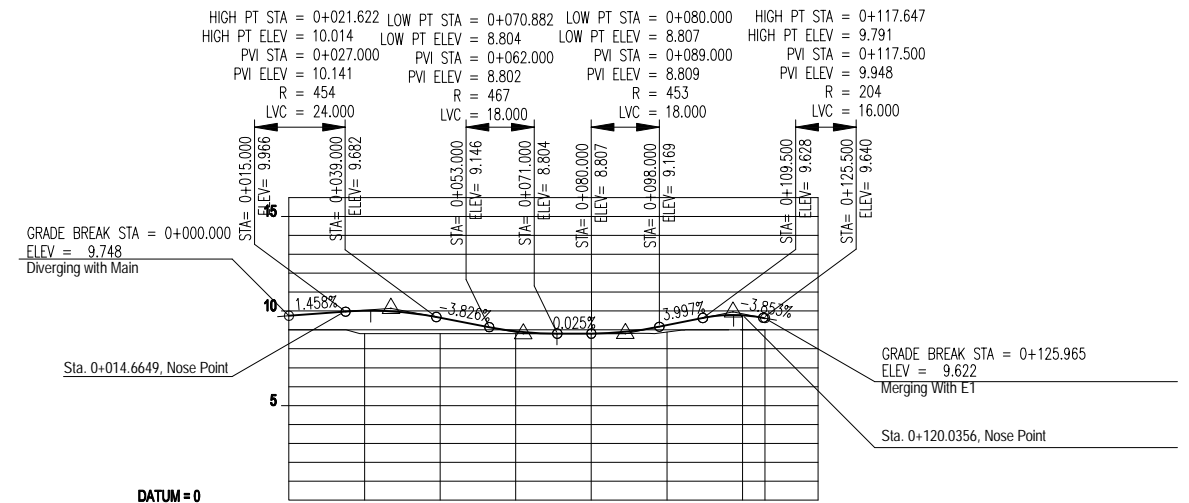


MINOR ROAD-W4 PROFILE



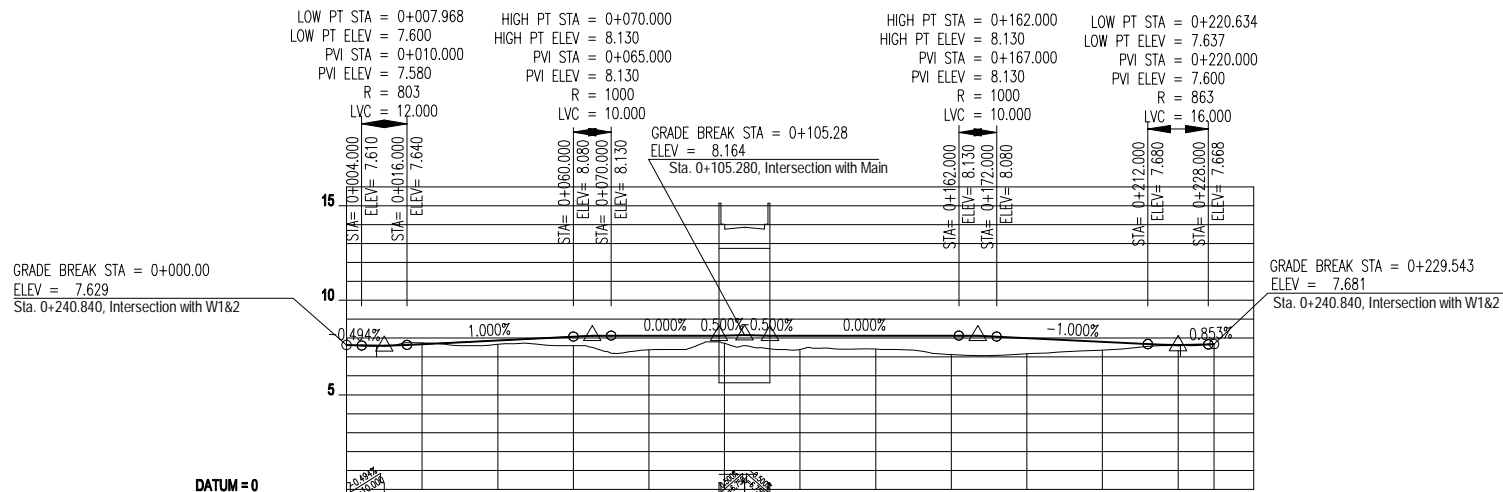
DATUM = 0	
GRADIENT	
FINISH GROUND	9.830, 10.002, 9.628, 9.203, 9.606, 9.733
EXISTING GROUND	9.243, 9.400, 9.277, 9.400, 9.400, 9.220, 9.202, 9.204, 9.205
STATION	0+000, 0+020, 0+040, 0+060, 0+080, 0+100, 0+120, 0+140, 0+152.737, 0+180
HORIZONTAL GEOMETRY	R=∞, L=152.737
SUPERELEVATION	

MINOR ROAD-E2 PROFILE



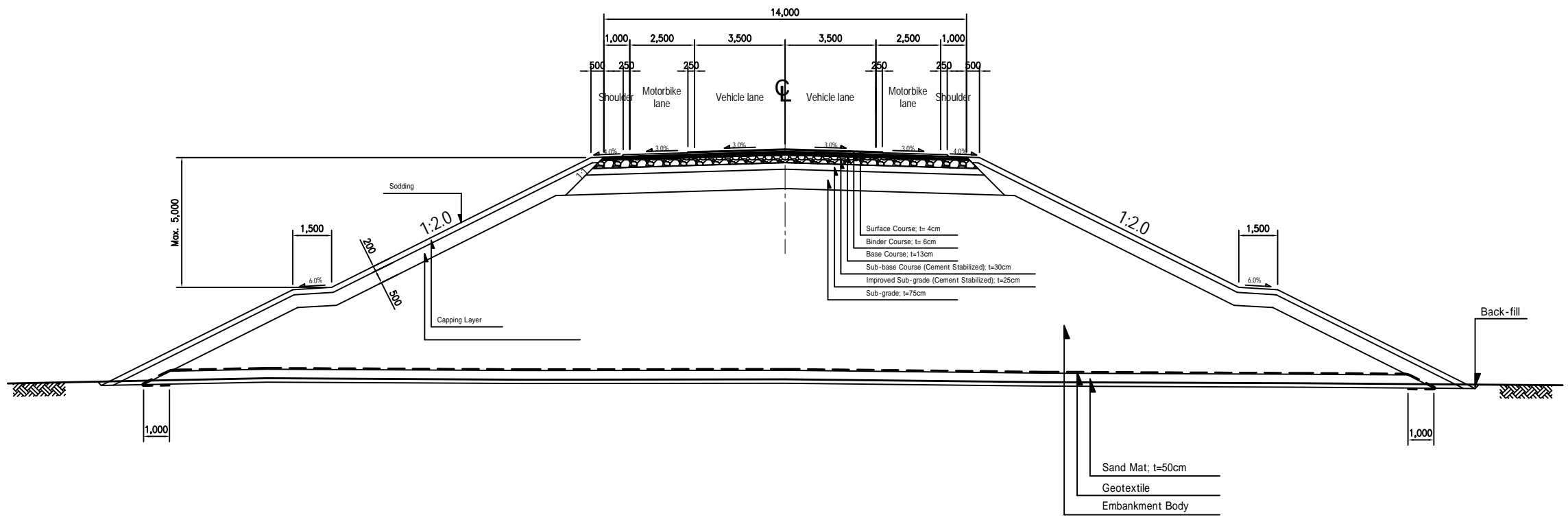
DATUM = 0	
GRADIENT	
FINISH GROUND	9.748, 10.012, 9.644, 8.931, 8.807, 9.249, 9.778, 9.622
EXISTING GROUND	9.000, 8.800, 8.800, 8.801, 8.807, 8.887, 9.000, 9.000
STATION	0+000, 0+020, 0+040, 0+060, 0+080, 0+100, 0+120, 0+125.965, 0+140
HORIZONTAL GEOMETRY	R=∞, L=125.965
SUPERELEVATION	

MINOR ROAD-W3 PROFILE

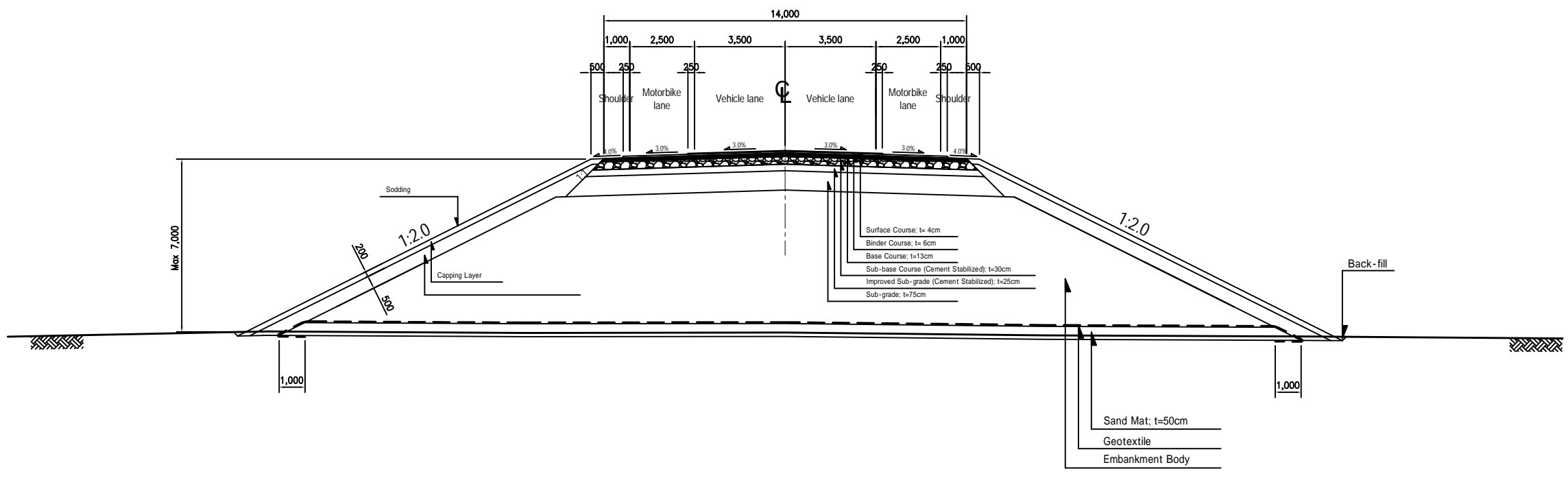


DATUM = 0	
GRADIENT	
FINISH GROUND	7.629, 7.680, 7.880, 8.080, 8.130, 8.137, 8.130, 8.130, 8.000, 7.800, 7.637, 7.681
EXISTING GROUND	7.629, 7.747, 7.671, 7.604, 7.386, 7.727, 7.399, 7.415, 7.126, 7.179, 7.366, 7.600, 7.681
STATION	0+000, 0+010.000, 0+020, 0+039.274, 0+040, 0+060, 0+074.218, 0+080, 0+097.780, 0+100, 0+112.780, 0+120, 0+136.342, 0+140, 0+160, 0+180, 0+200, 0+207.93, 0+219.543, 0+220, 0+229.543, 0+240
HORIZONTAL GEOMETRY	R=18, L=10.000; R=15.000, L=29.374; R=8, L=34.844; R=15.000, L=23.562; R=8, L=15.000; R=15.000, L=23.562; R=8, L=65.451; R=15.000, L=17.750; R=8, L=10.000
SUPERELEVATION	

Typical Cross Section (Neak Loung Side of Main & Minor E1)

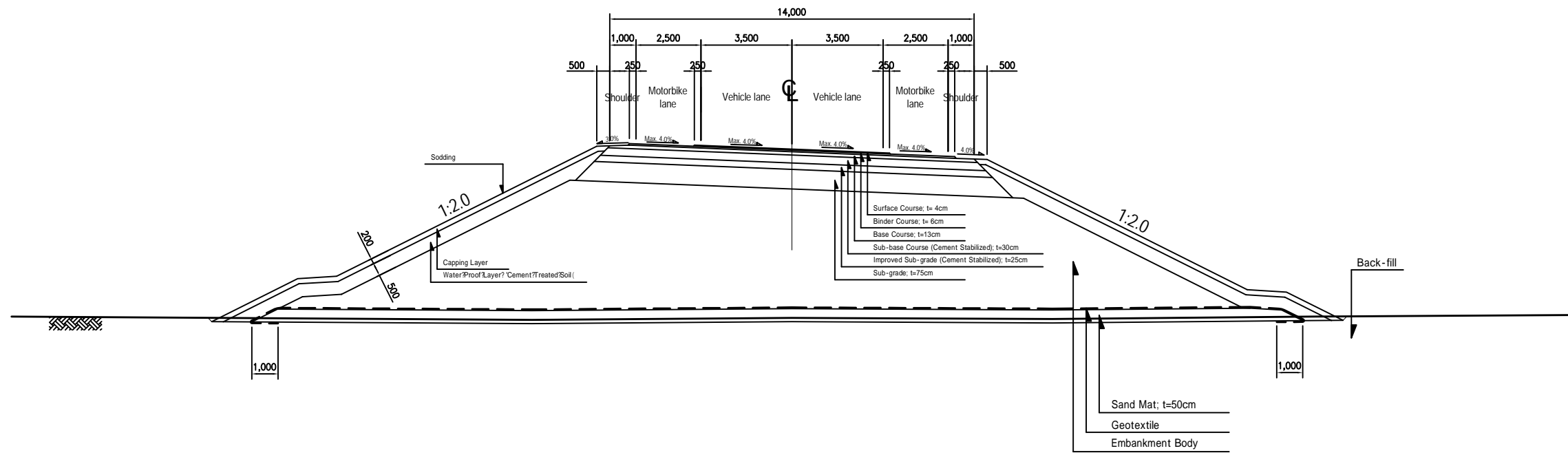


Typical Cross Section (Phnom Phen Side of Main & Minor W1)

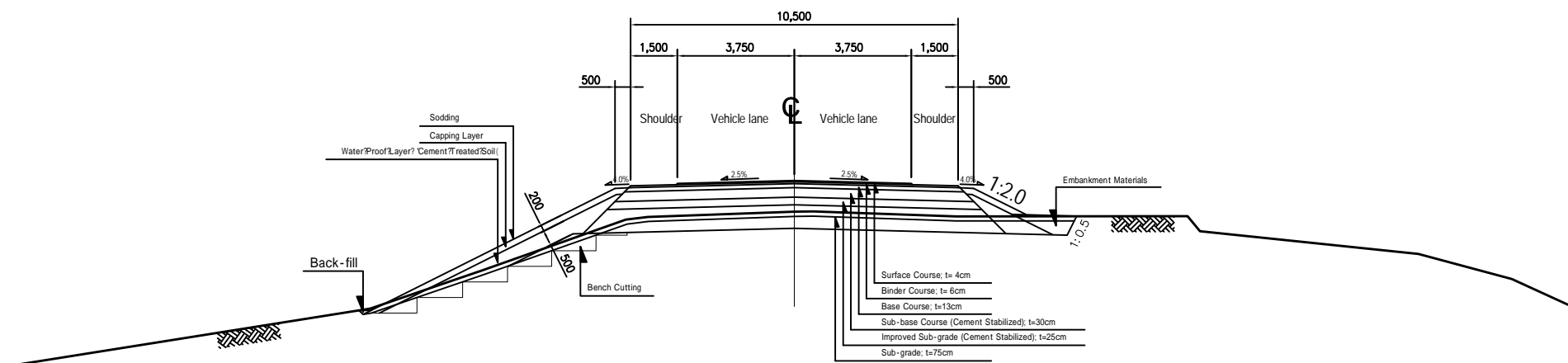


MINISTRY OF PUBLIC WORKS AND TRANPOST	THE PROJECT FOR CONSTRUCTION OF NEAK LOEUNG BRIDGE IN THE KINGDOM OF CAMBODIA	JAPAN INTERNATIONAL COOPERATION AGENCY (JICA)	TITLE	SCALE	DATE	DRAWING NO.
			TYPICAL CROSS SECTION (1)	1:200		

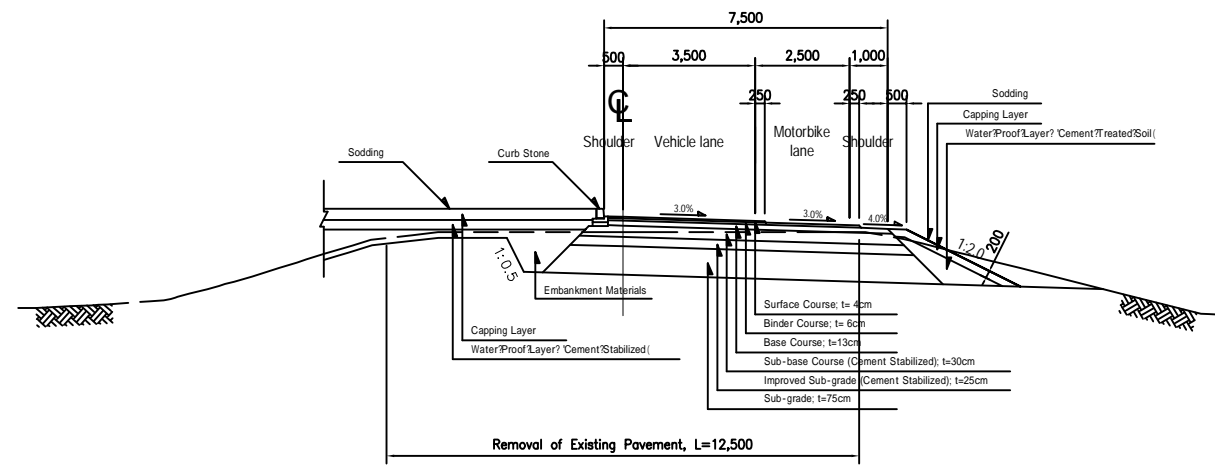
Typical Cross Section (with Superelevation)



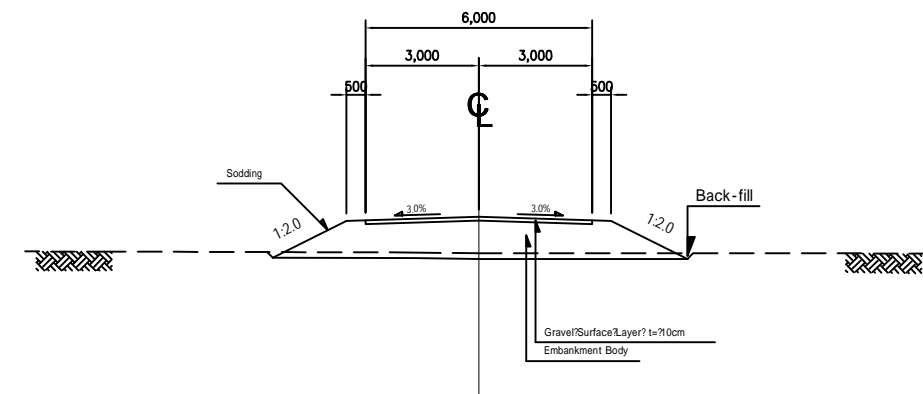
Typical Cross Section (Around Ending Point of Main & Minor E1)



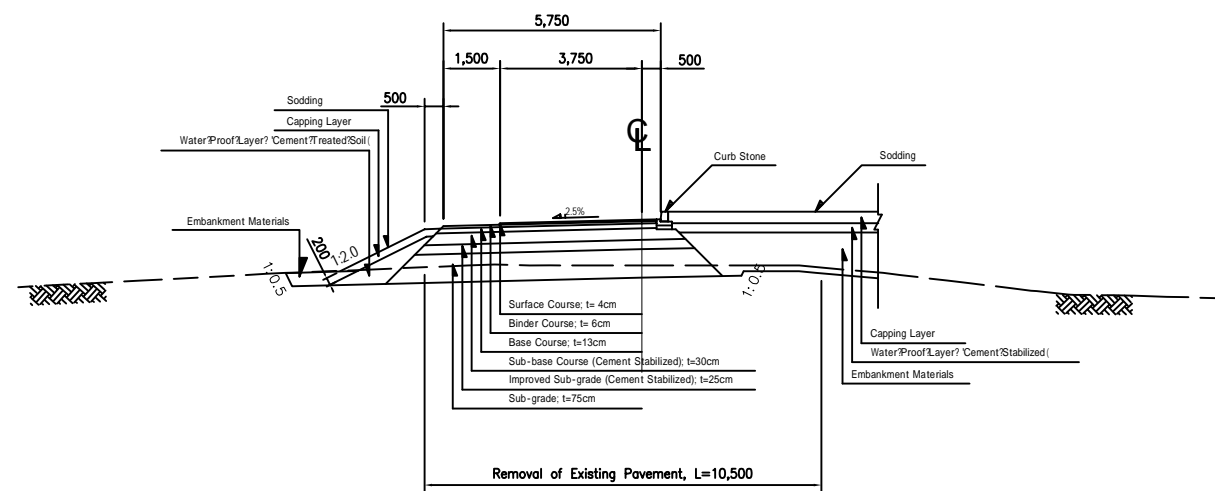
Typical Cross Section (Minor W4)



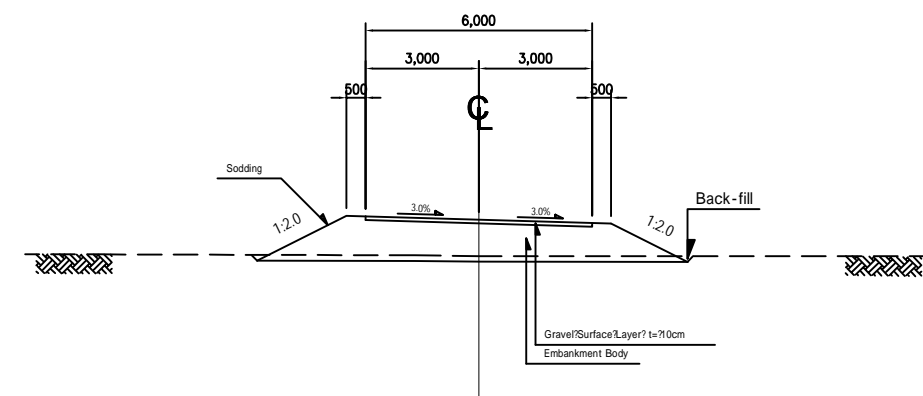
Typical Cross Section (Minor W2)



Typical Cross Section (Minor E2)

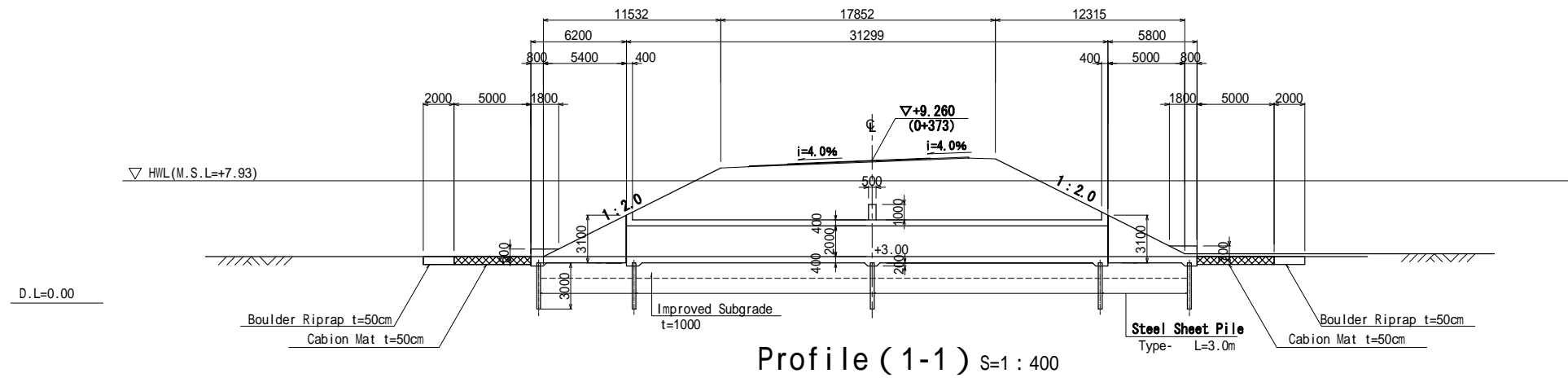


Typical Cross Section (Minor W3)



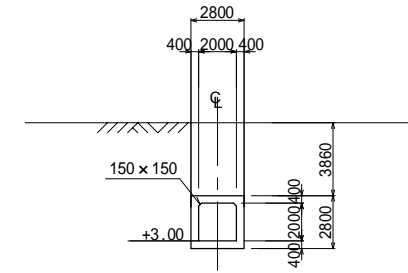
BOX-CULVERT S=1 : 400

(No.1)

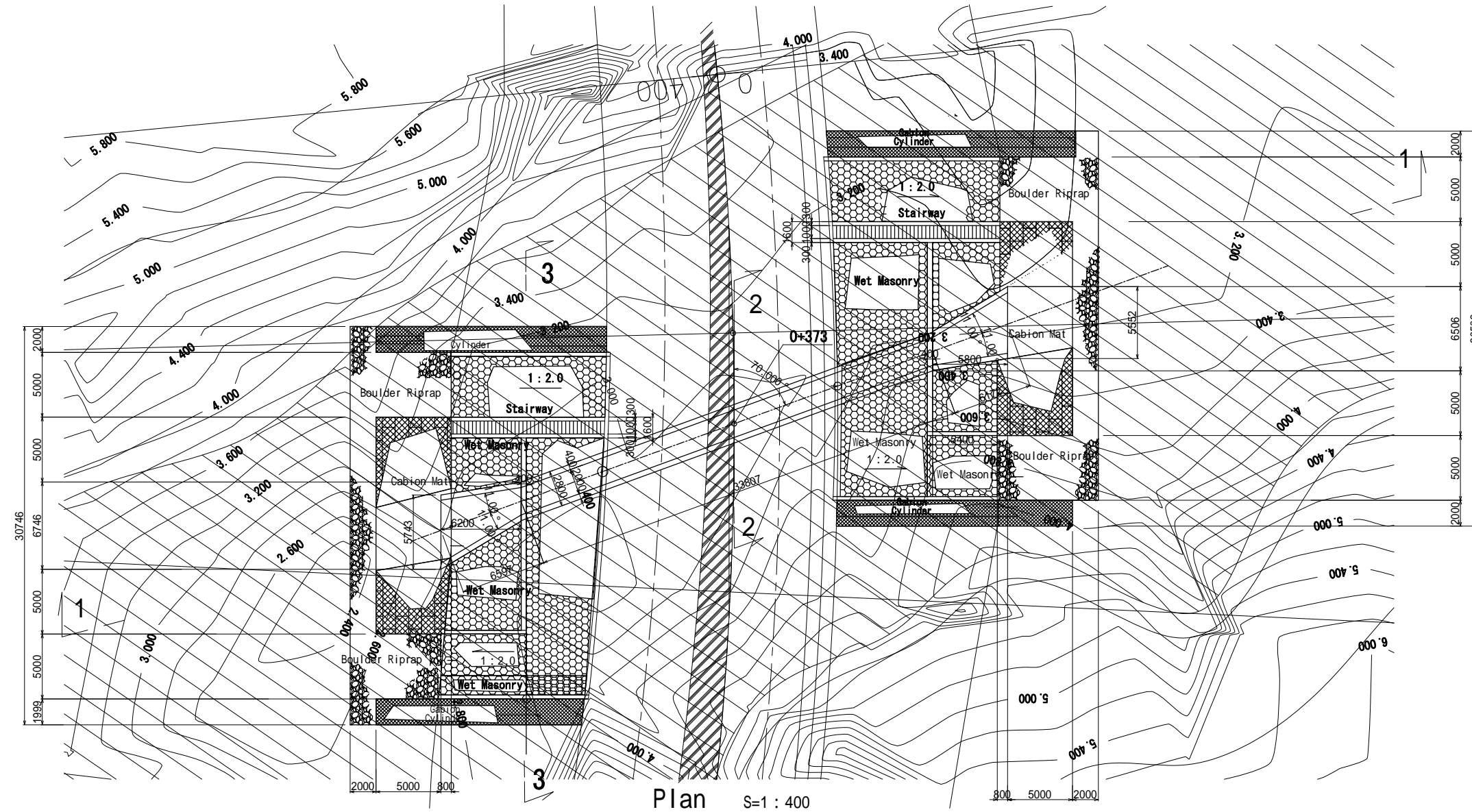
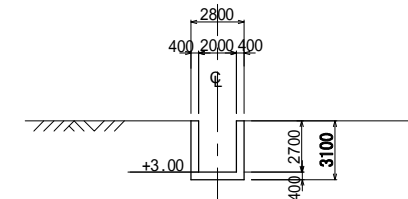


Profile (1-1) S=1 : 400

Section (2-2)



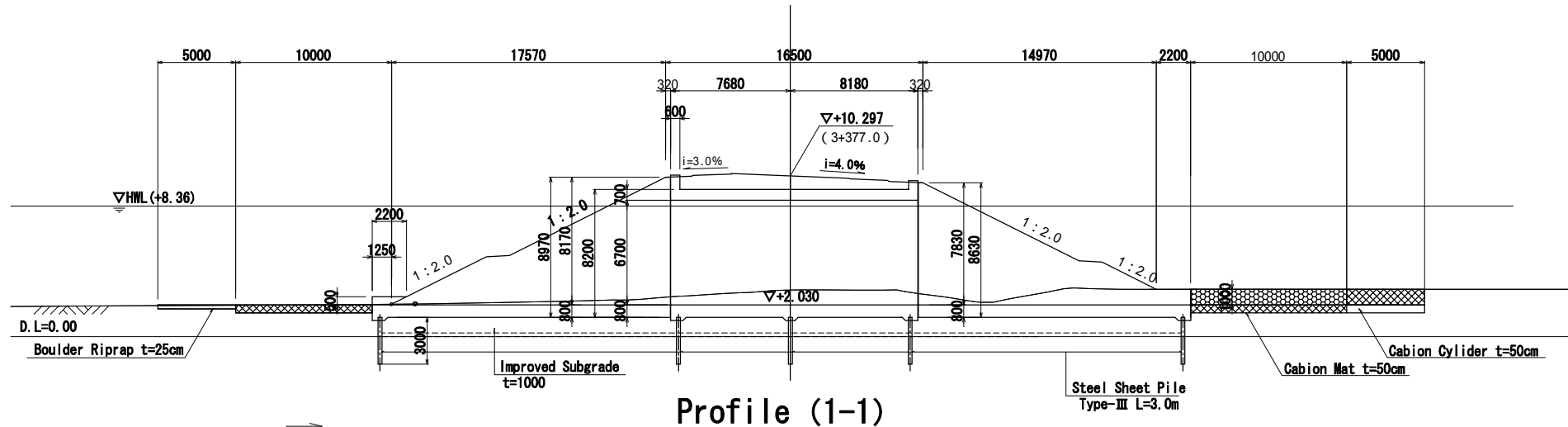
Section (3-3)



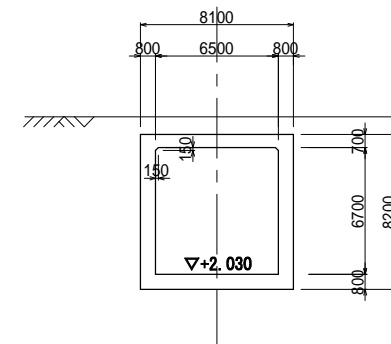
Plan S=1 : 400

BOX-CULVERT S=1 : 400

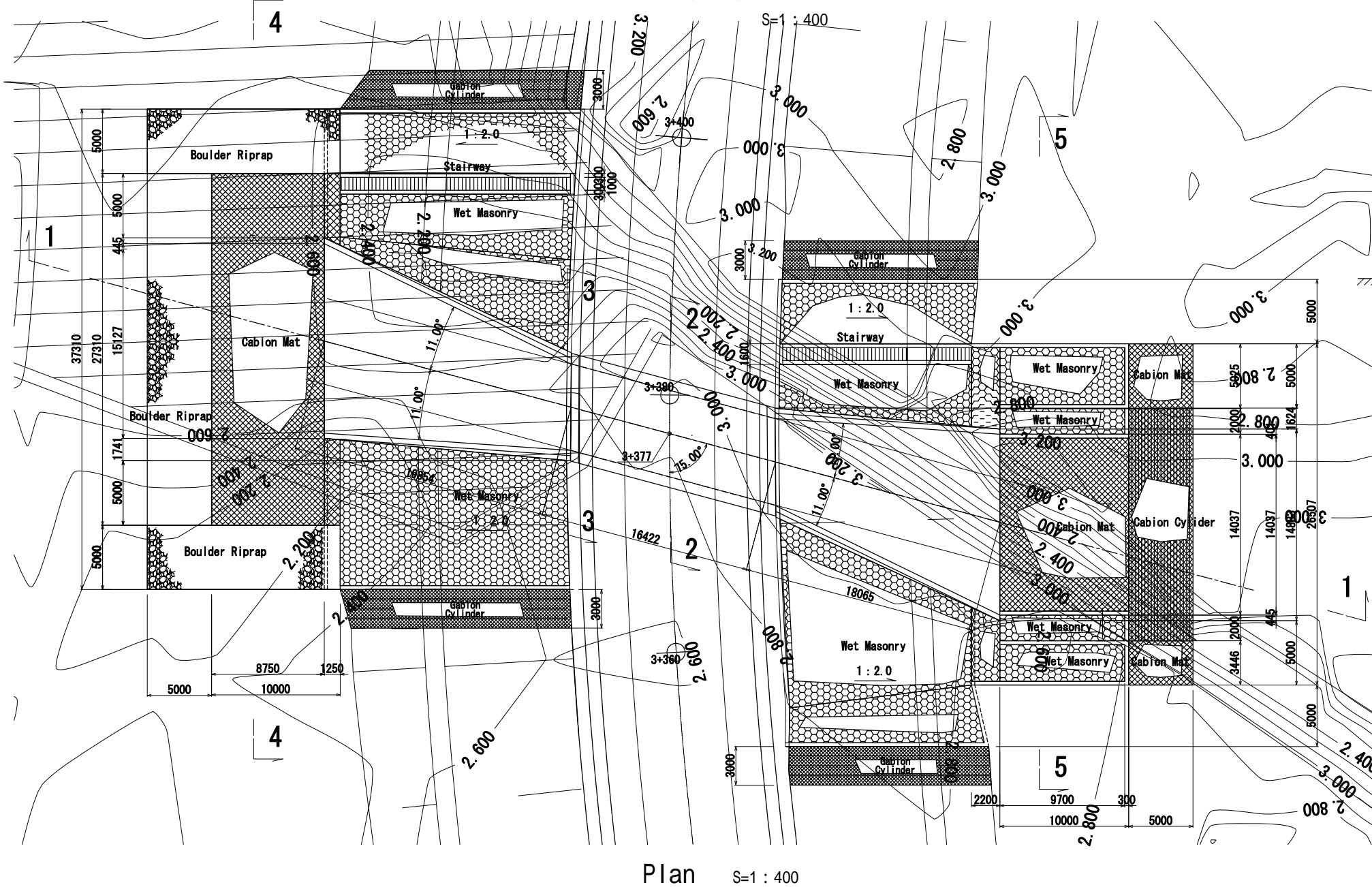
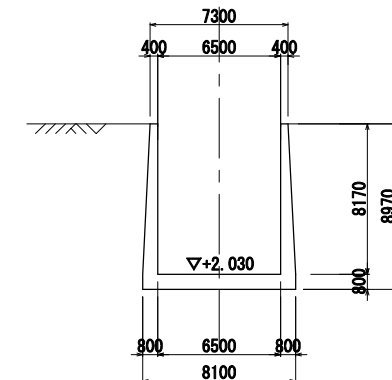
(No.2)



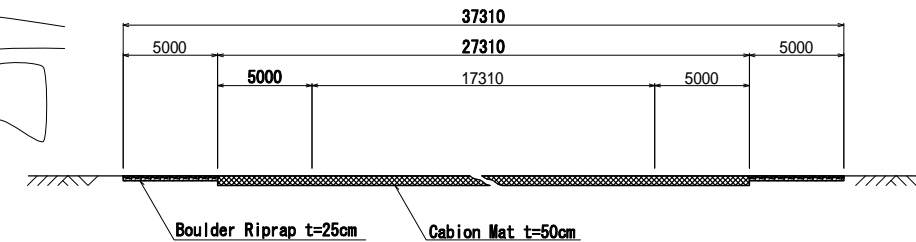
Section (2-2)



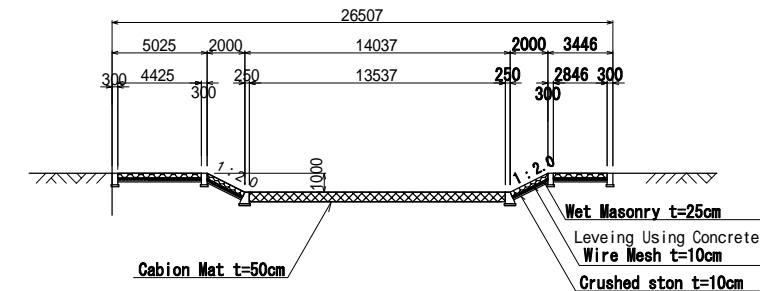
Section (3-3)



Section (4-4)



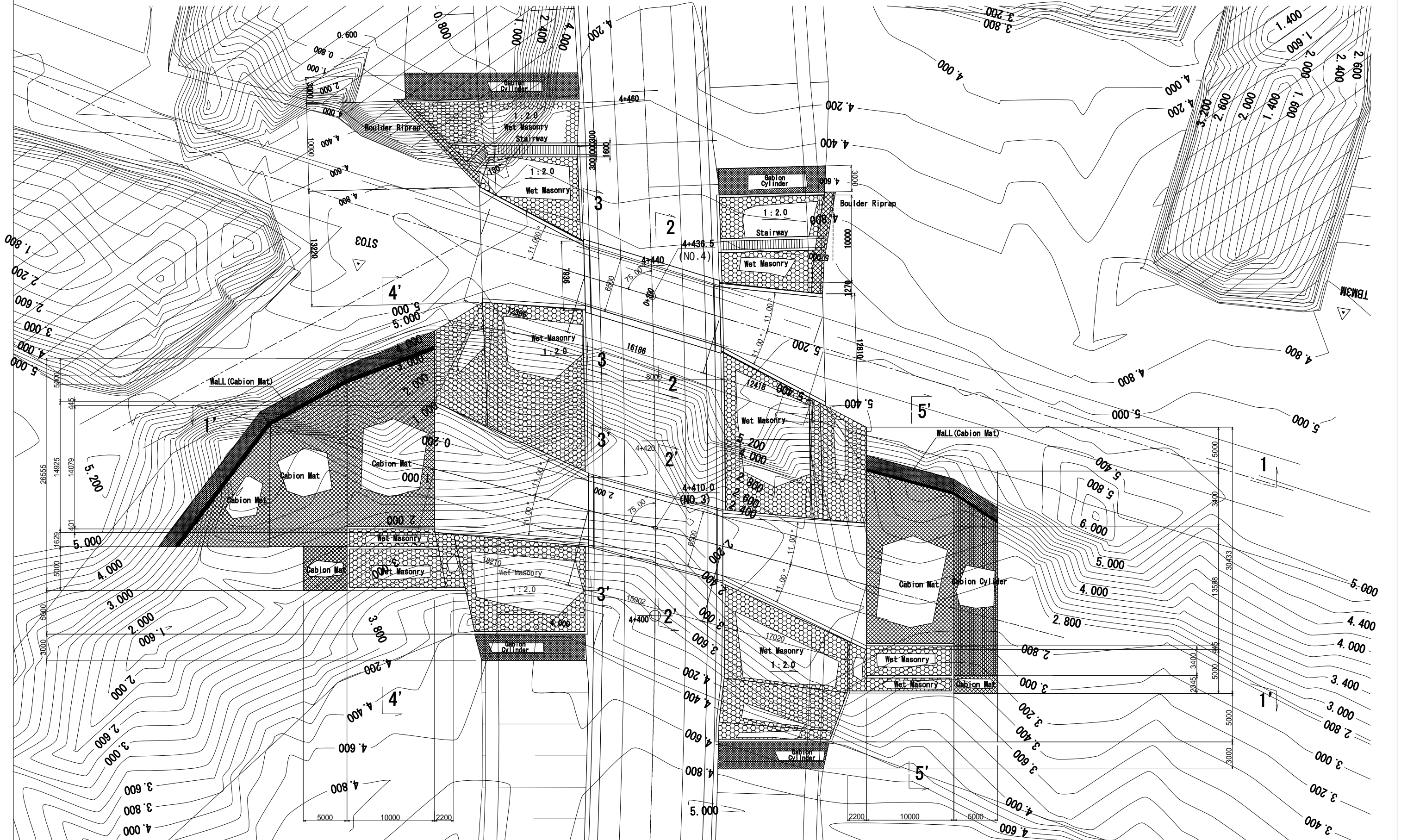
Section (5-5)



Plan (No.3, No4) S=1 : 400

BOX-CULVERT
(No.3, NO.4)

S=1 : 400



MINISTRY OF PUBLIC WORKS
AND TRANSPORT

THE PROJECT FOR CONSTRUCTION OF NEAK LOEUNG BRIDGE
IN THE KINGDOM OF CAMBODIA

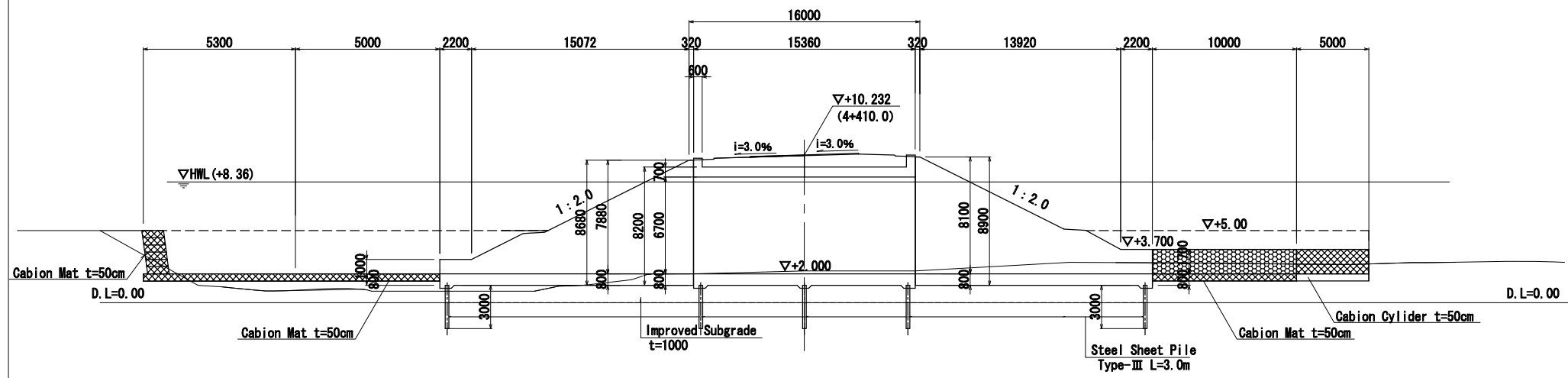
JAPAN INTERNATIONAL
COOPERATION AGENCY (JICA)

TITLE
BOX-CULVERT (3)

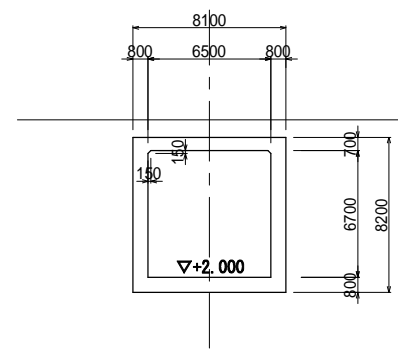
SCALE	DATE	DRAWING NO.
1 : 400		

BOX-CULVERT S=1 : 400

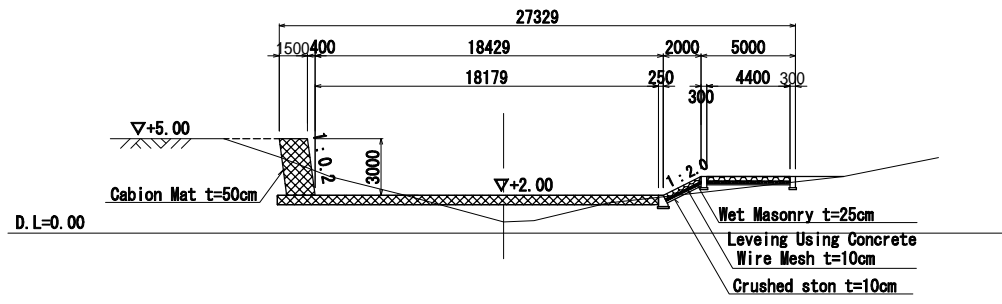
Profile (1'-1') S=1 : 400 (No.3)



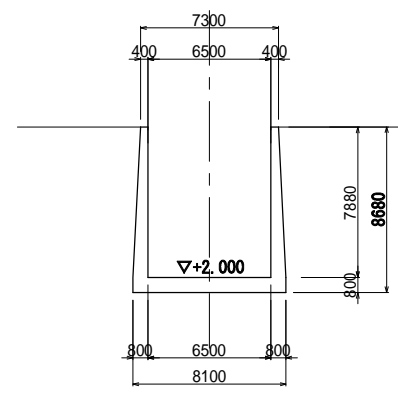
Section (2'-2')



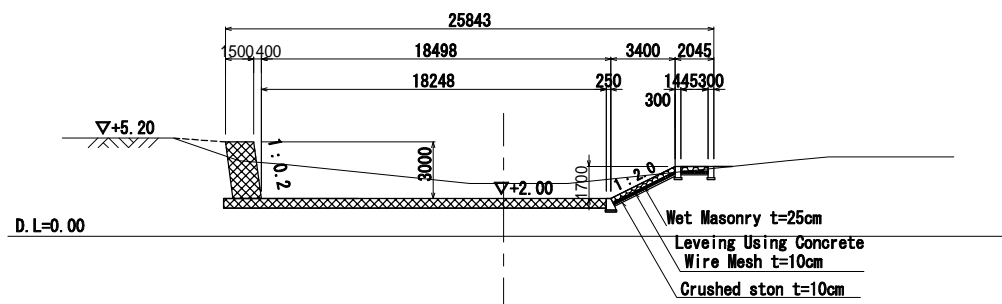
Section (4'-4')



Section (3'-3')



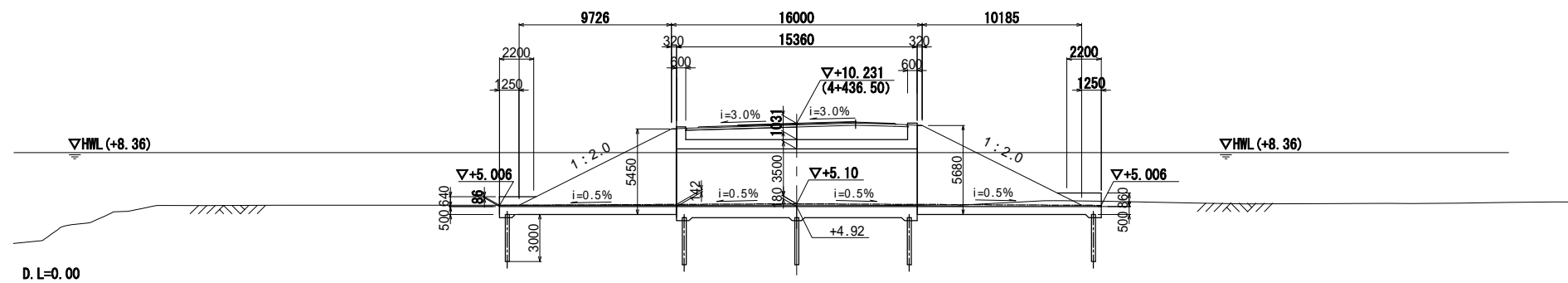
Section (5'-5')



MINISTRY OF PUBLIC WORKS AND TRANSPORT	THE PROJECT FOR CONSTRUCTION OF NEAK LOEUNG BRIDGE IN THE KINGDOM OF CAMBODIA	JAPAN INTERNATIONAL COOPERATION AGENCY (JICA)	TITLE	SCALE	DATE	DRAWING NO.
			BOX-CULVERT (4)	1 : 400		

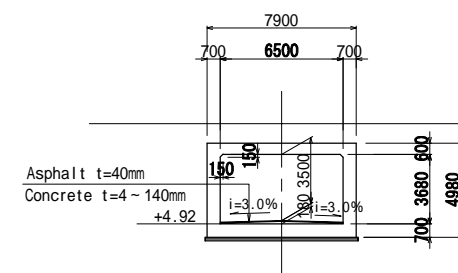
BOX-CULVERT S=1 : 400

(No. 4)

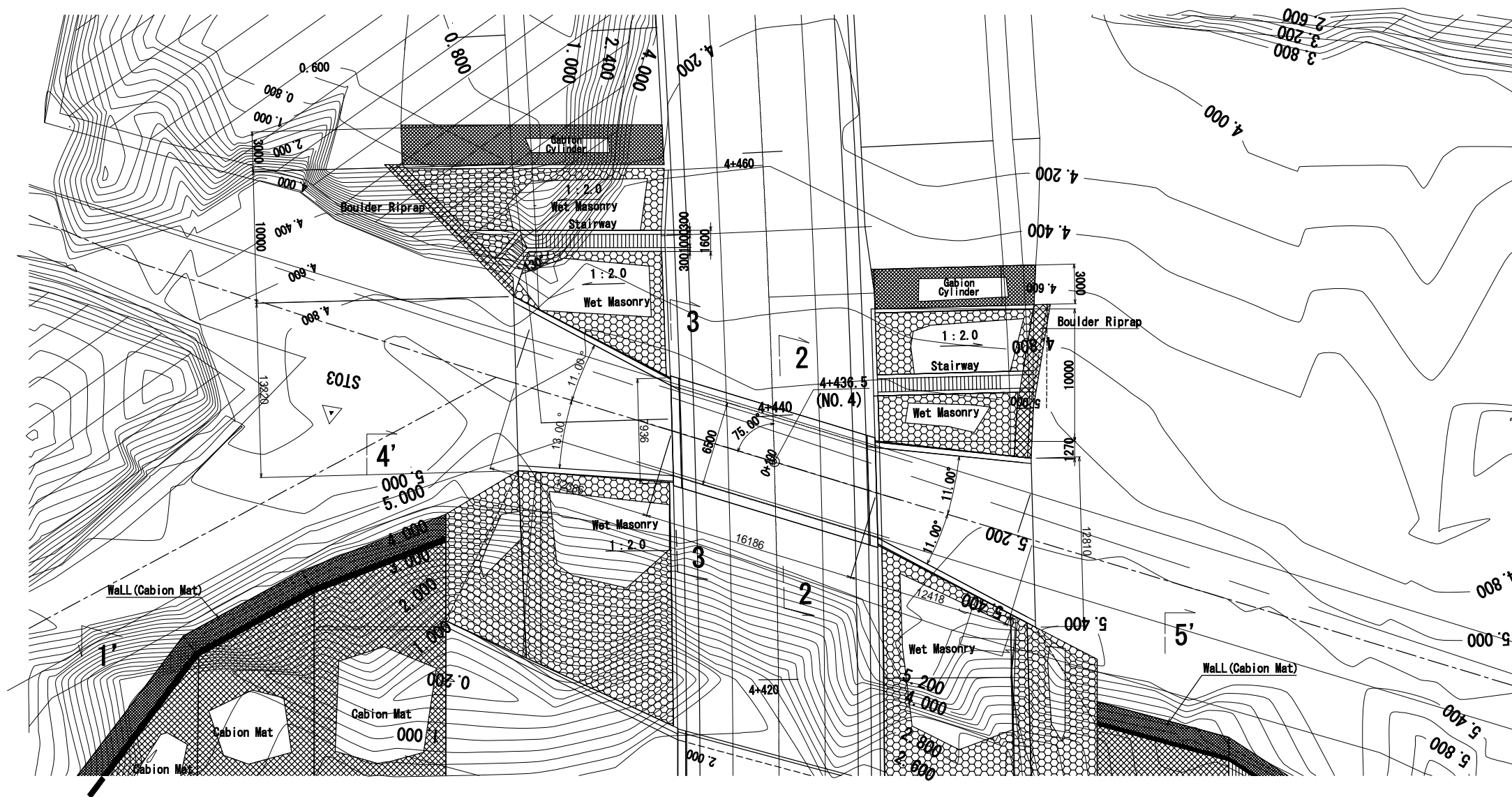
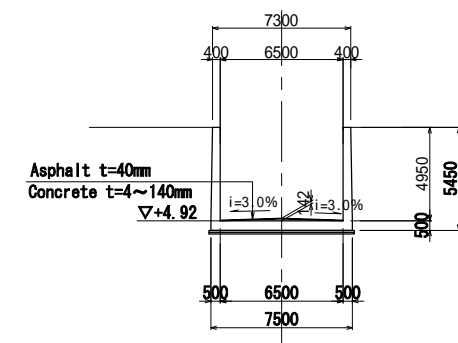


Profile (1-1) s=1 : 400

Section (2-2)



Section (3-3)

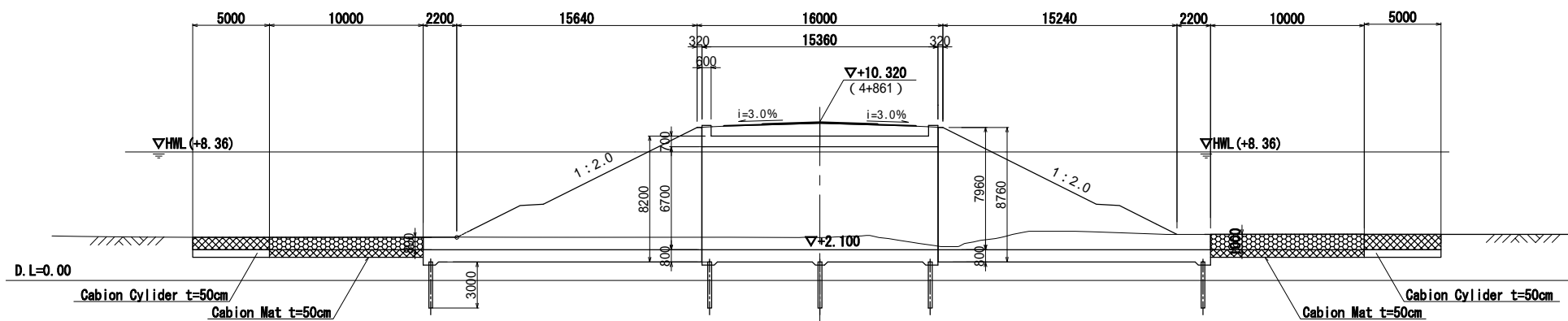


Plan S=1 : 400

MINISTRY OF PUBLIC WORKS AND TRANSPORT	THE PROJECT FOR CONSTRUCTION OF NEAK LOEUNG BRIDGE IN THE KINGDOM OF CAMBODIA	JAPAN INTERNATIONAL COOPERATION AGENCY (JICA)	TITLE BOX-CULVERT (5)	SCALE 1 : 400	DATE	DRAWING NO.
--	---	---	----------------------------	------------------	------	-------------

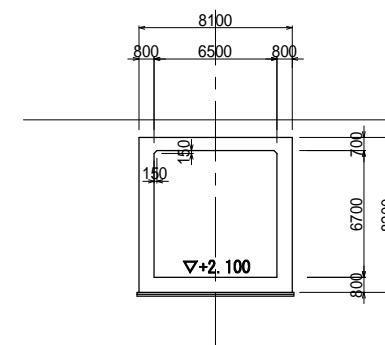
BOX-CULVERT S=1 : 400

(No.5)

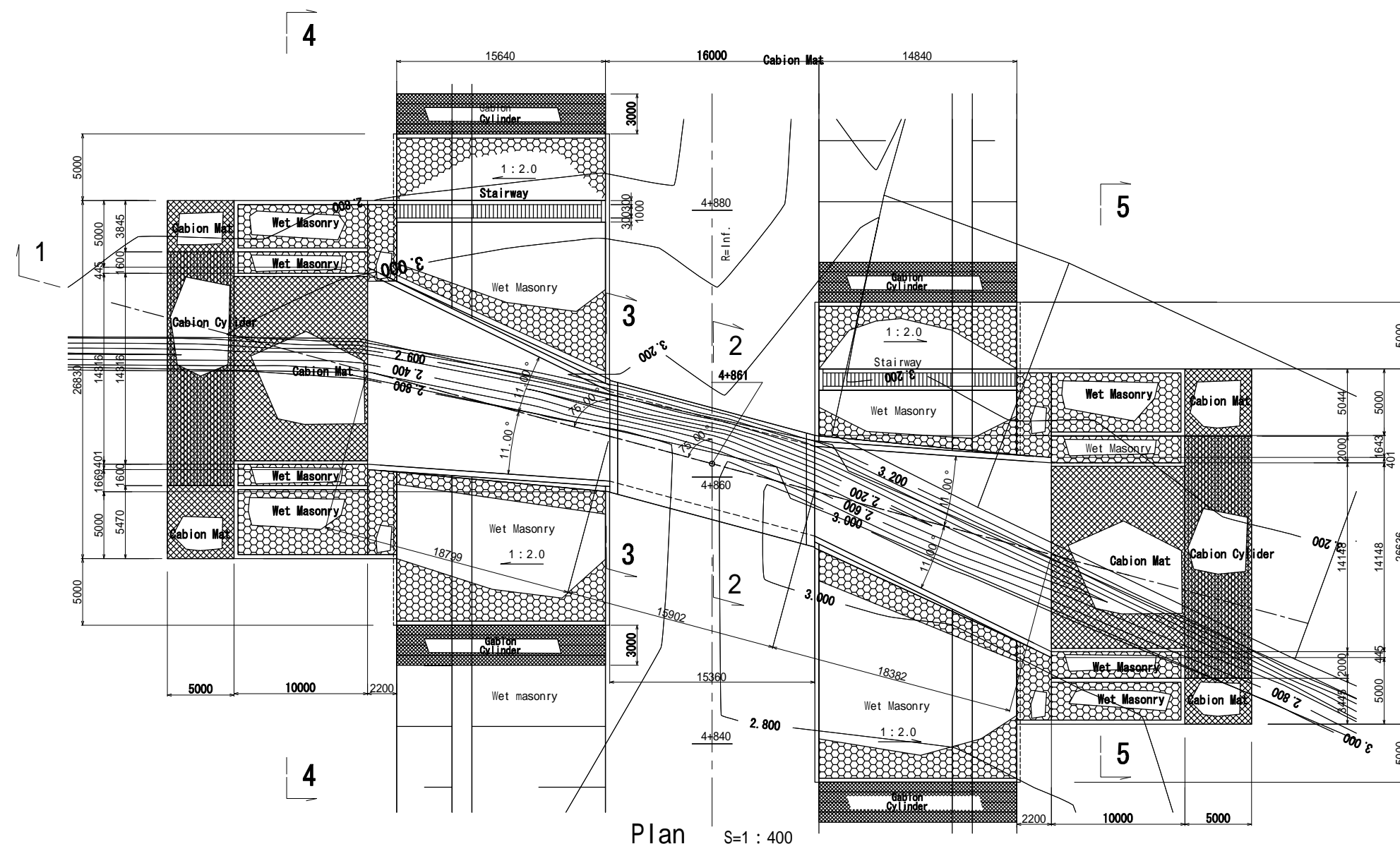
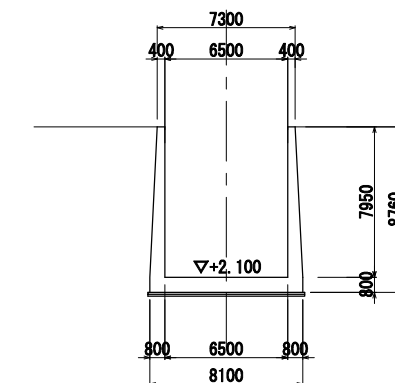


Profile (1-1) S=1 : 400

Section (2-2)

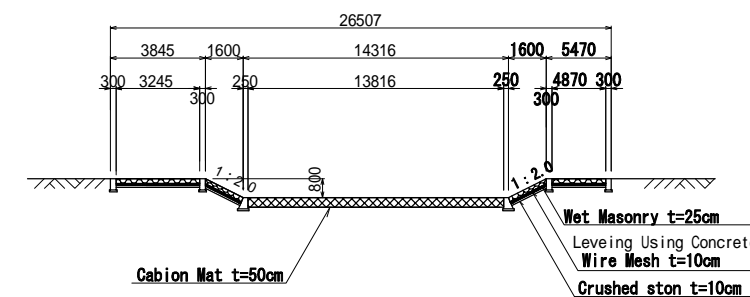


Section (3-3)

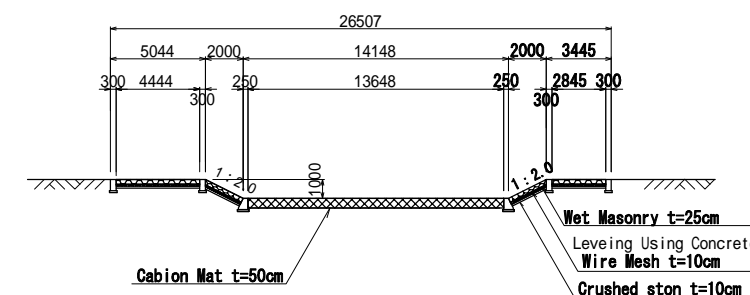


Plan S=1 : 400

Section (4-4)

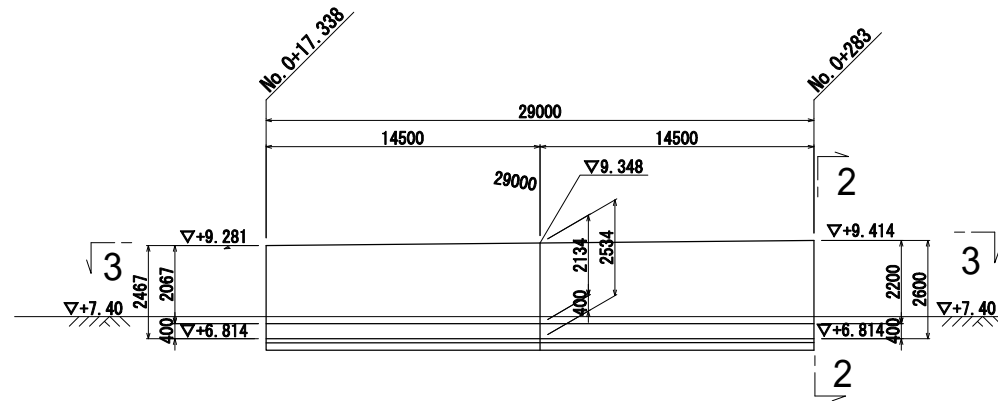


Section (5-5)

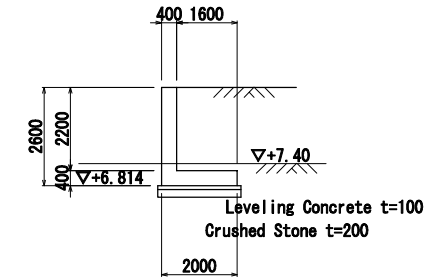


WALL(1) S=1 : 400

Profile (1-1) S=1 : 400



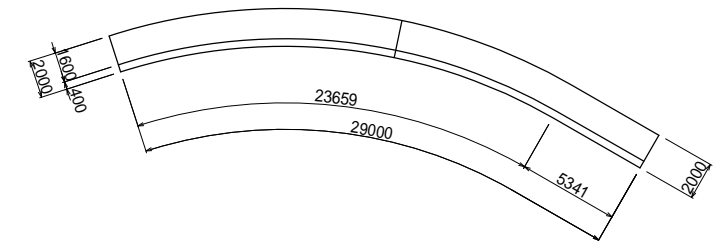
Section (2-2)



Plan S=1 : 400

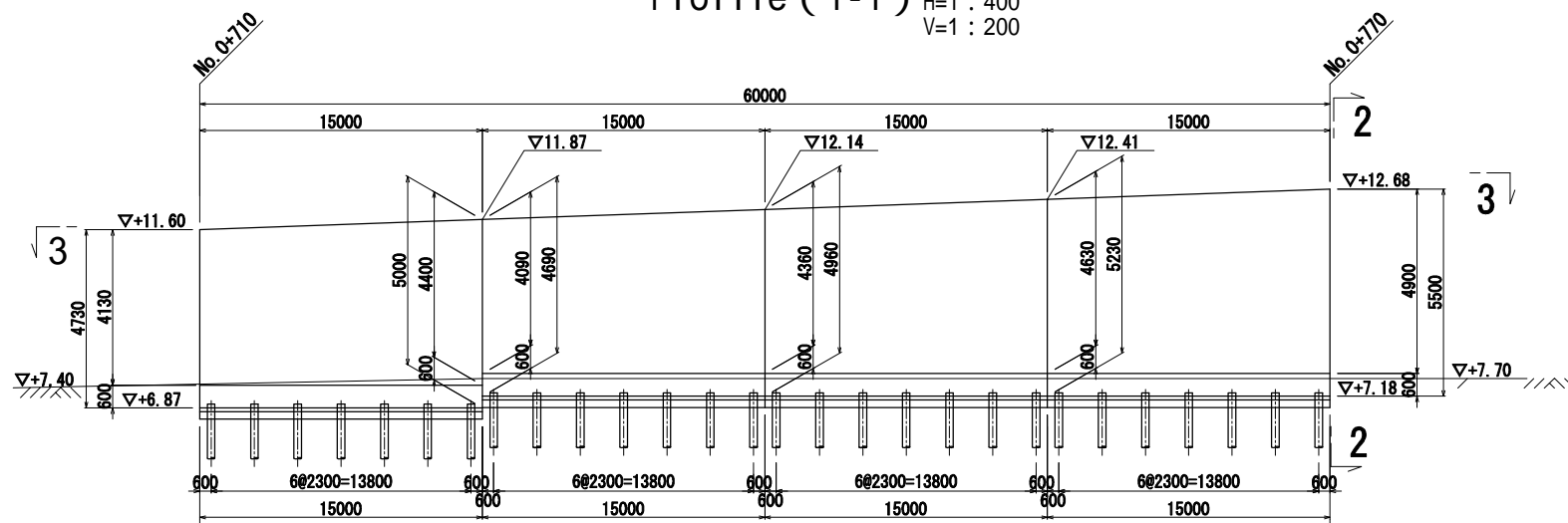


Plan (3-3)

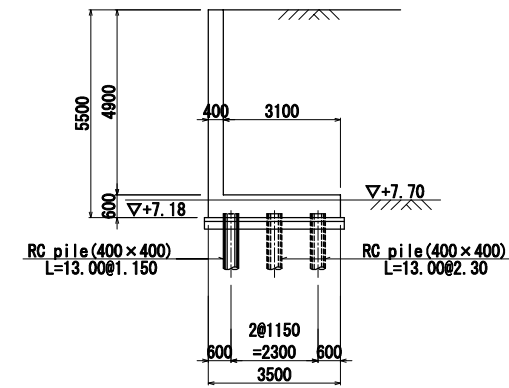


WALL(2) S=1 : 400

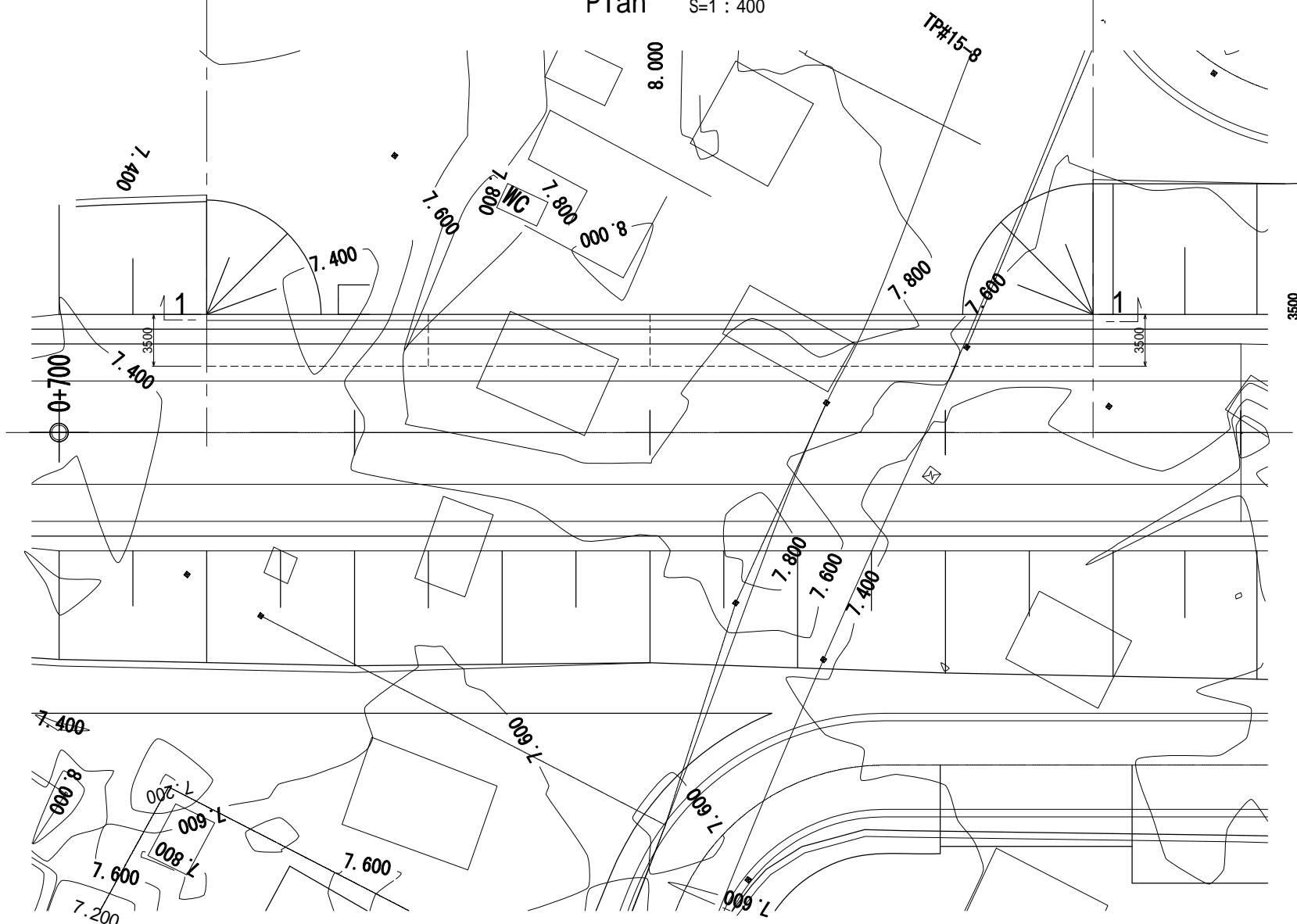
Profile (1-1) H=1 : 400
V=1 : 200



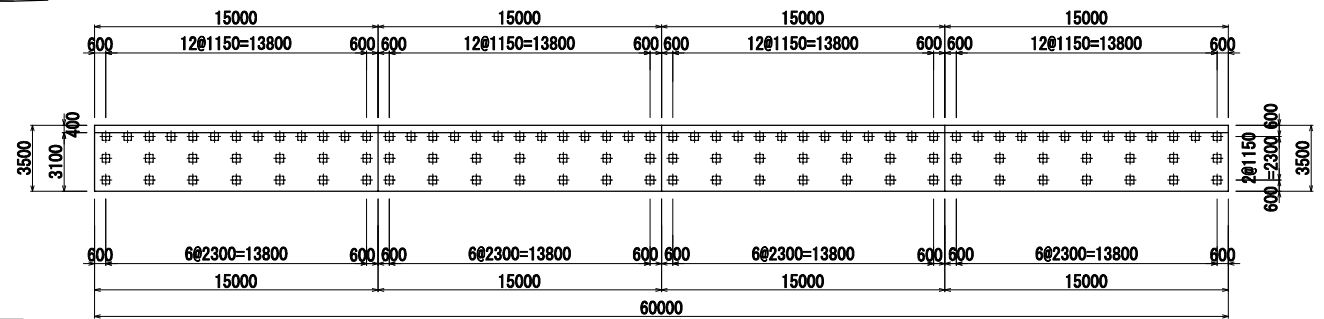
Section (2-2)



Plan S=1 : 400



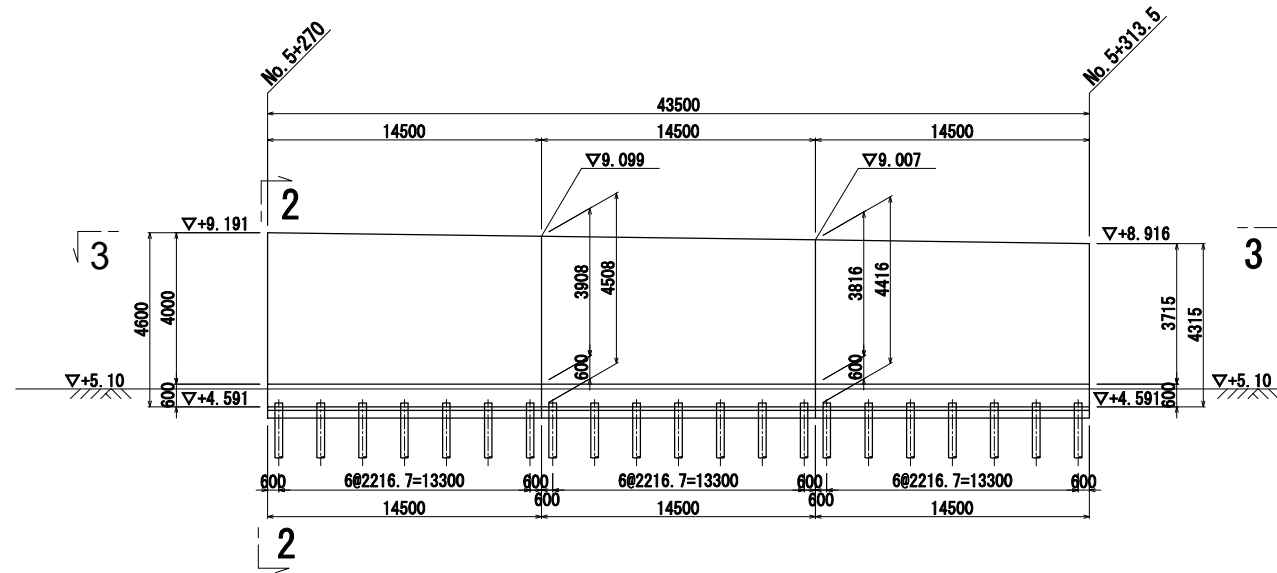
Plan (3-3)



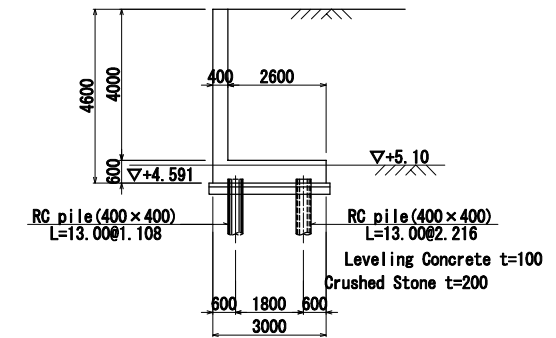
WALL(3)

S=1 : 400

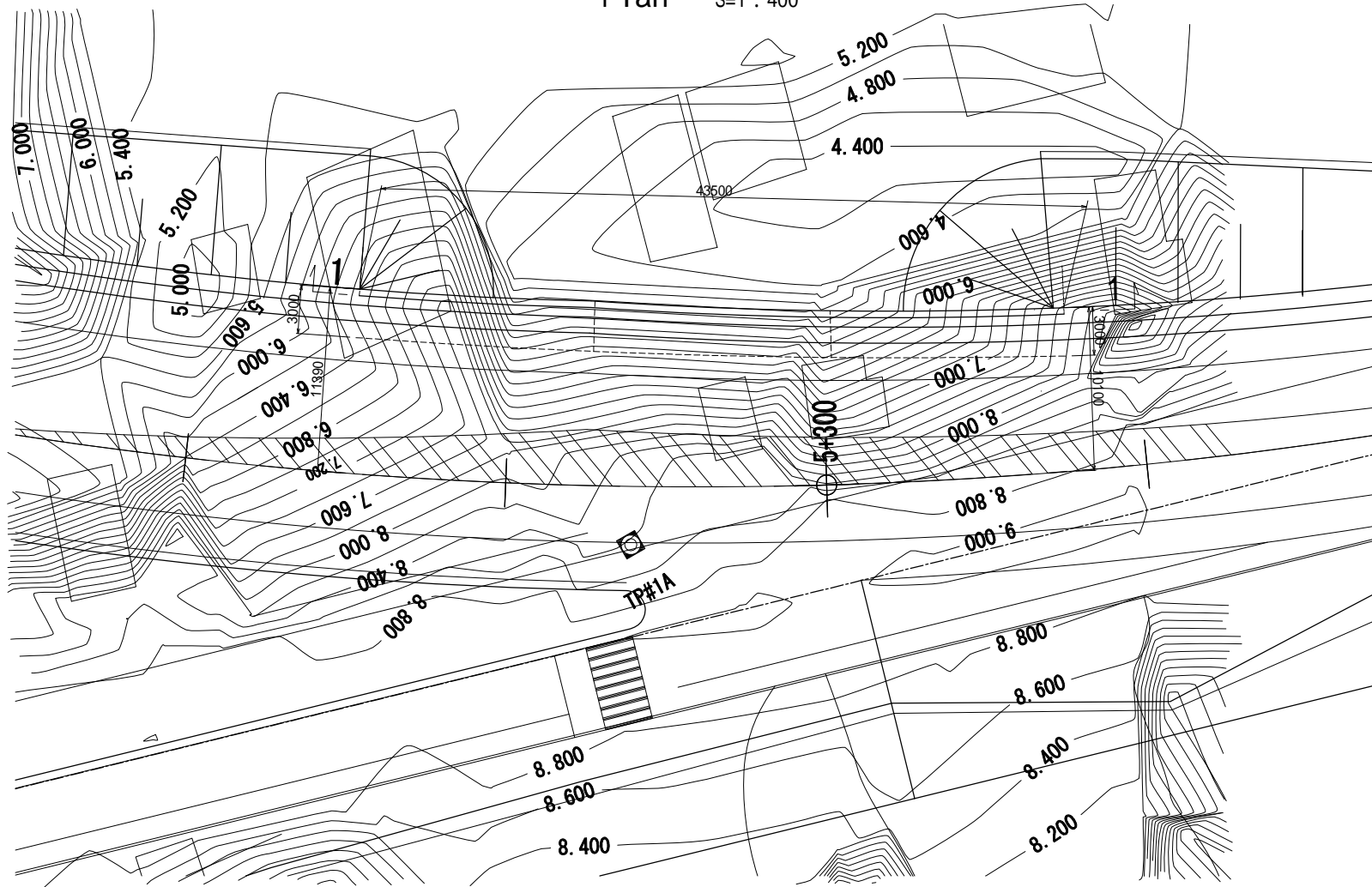
Profile (1-1) H=1 : 400
V=1 : 200



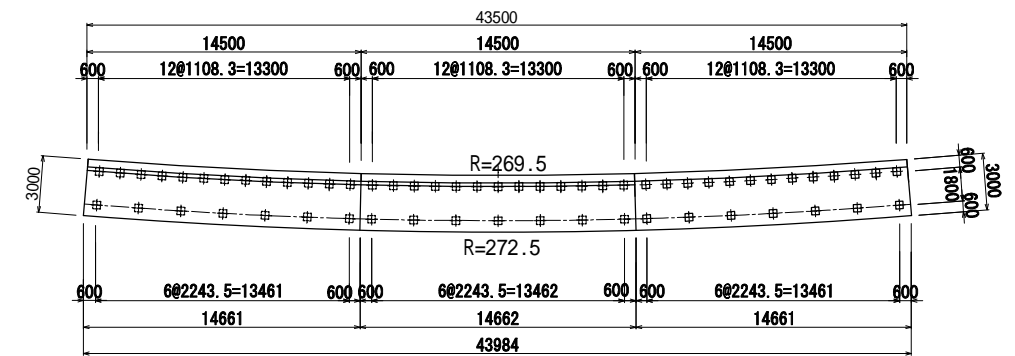
Section (2-2)



Plan S=1 : 400

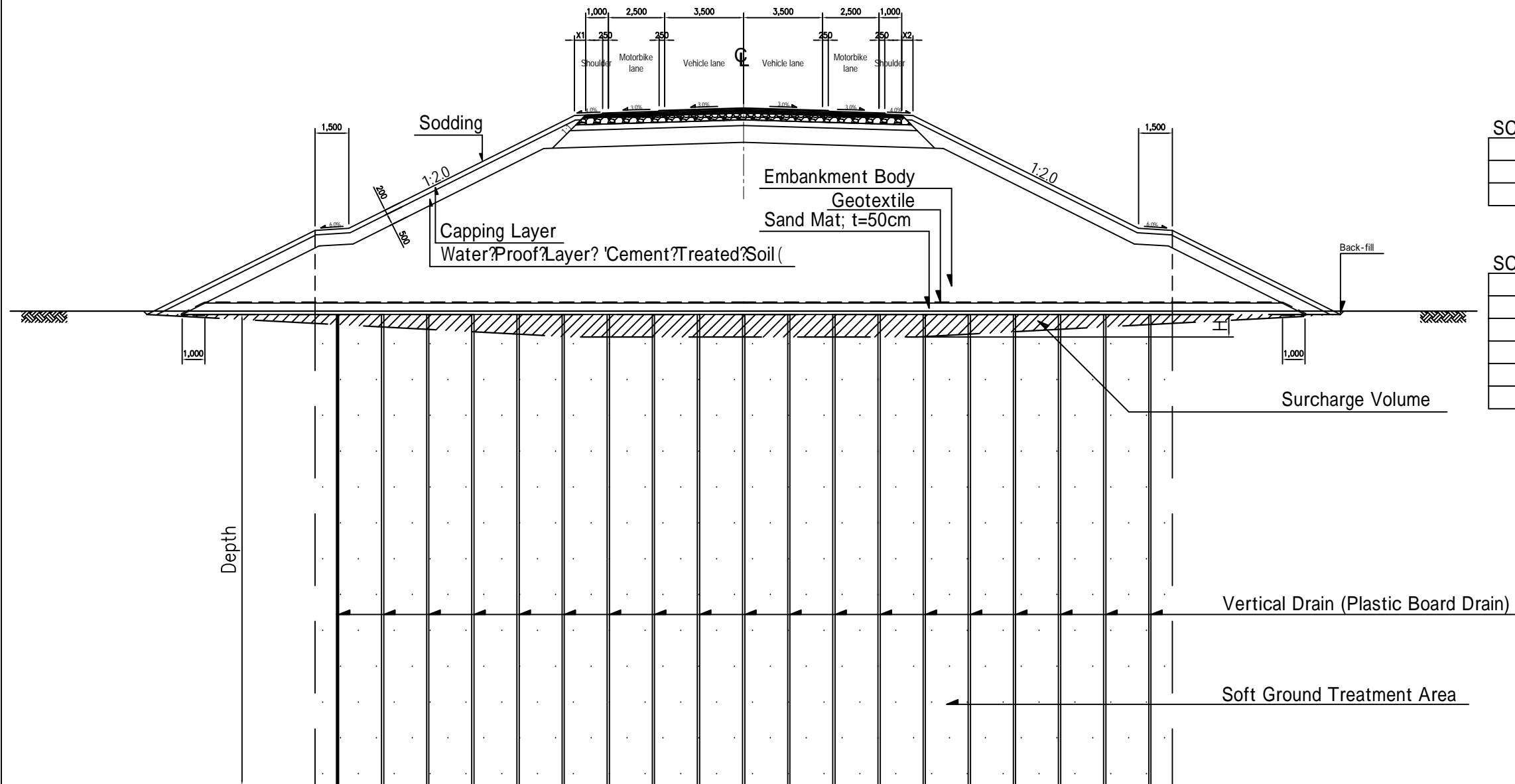


Plan (3-3)



Soft Ground Treatment

(Scale 1:250)



SCHEDULE LIST OF VERTICAL DRAIN

Station	Pitch (m)	Depth (m)
3+040 to 3+120	1.0 x 1.0	21.0
3+120 to 3+700	2.0 x 2.0	21.0

SCHEDULE LIST OF SURCHARGE HEIGHT

Station	Height (cm)
3+040 to 3+120	35.7
3+120 to 3+700	27.9
3+700 to 3+880	8.9
3+880 to 4+360	22.8
4+360 to 5+160	23.1