

Items Requested by Tanzanian Side

A. 33/11kV, 15MVA Transformer Substation at YMCA

- a) 33kV Incoming switchgear panel with VCB (1 No.)
- b) 33/11kV, 15MVA Transformer with On-load Tap-changer (1 No.)
- c) 11kV switchgear panel (6 Nos.)
 - Transformer secondary (1 No.)
 - Line feeder (3 Nos.)
 - Station supply transformer (1 No.)
 - LV supply and control (1 No.)
- d) 33kV Cable and end treatment material (1 Lot)
- e) 11kV Cable and end treatment material (1 Lot)
- f) Miscellaneous (1 Lot)
- g) Civil and Installation work (1 Lot)

B. 33/11kV, 10MVA Transformer Substation at Lawati

- a) 33kV Incoming switchgear panel with VCB (1 No.)
- b) 33/11kV, 10MVA Transformer with On-load Tap-changer (1 No.)
- c) 11kV switchgear panel (6 Nos.)
 - Transformer secondary (1 No.)
 - Line feeder (3 Nos.)
 - Station supply transformer (1 No.)
 - LV supply and control (1 No.)
- d) 33kV Cable and end treatment material (1 Lot)
- e) 11kV Cable and end treatment material (1 Lot)
- f) Miscellaneous (1 Lot)
- g) Civil and Installation work (1 Lot)

C. 33/11kV, 10MVA Transformer Substation at Machame

- a) 33kV Incoming switchgear panel with VCB (1 No.)
- b) 33/11kV, 10MVA Transformer with On-load Tap-changer (1 No.)
- c) 11kV switchgear panel (6 Nos.)
 - Transformer secondary (1 No.)
 - Line feeder (3 Nos.)
 - Station supply transformer (1 No.)
 - LV supply and control (1 No.)
- d) 33kV Cable and end treatment material (1 Lot)
- e) 11kV Cable and end treatment material (1 Lot)
- f) Miscellaneous (1 Lot)
- g) Civil and Installation work (1 Lot)

8

D. 33/11kV, 10MVA Transformer Substation at KCMC

- a) 33kV incoming switchgear panel with VCB (3 Nos.)
- b) 33/11kV, 10MVA Transformer with On-load Tap-changer (1 No.)
- c) 11kV switchgear panel (6 Nos.)
 - Transformer secondary (1 No.)
 - Line feeder (3 Nos.)
 - Station supply transformer (1 No.)
 - LV supply and control (1 No.)
- d) 33kV Cable and end treatment material (1 Lot)
- e) 11kV Cable and end treatment material (1 Lot)
- f) Miscellaneous (1 Lot)
- g) Civil and Installation work (1 Lot)

E. 33kV Outgoing bay at Trade School substation

- a) 33kV Outgoing switchgear panel with VCB (1 No.)
- b) 33kV Cable and end treatment material (1 Lot)
- c) Civil and Installation work (1 Lot)

F. Installation of 33kV transmission lines from Trade School to Gomberi

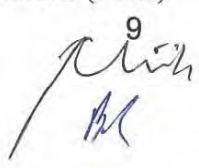
- a) 33kV transmission line from Trade School to KCMC (3.7km)
- b) 33kV transmission line from KCMC to Gomberi (4.9km)

G. 33/11kV, 10MVA Transformer Substation at Gomberi

- a) 33kV Incoming switchgear panel with VCB (1 No.)
- b) 33/11kV, 10MVA Transformer with On-load Tap-changer (1 No.)
- c) 11kV switchgear panel (6 Nos.)
 - Transformer secondary (1 No.)
 - Line feeder (3 Nos.)
 - Station supply transformer (1 No.)
 - LV supply and control (1 No.)
- d) 33kV Cable and end treatment material (1Lot)
- e) 11kV Cable and end treatment material (1Lot)
- f) Miscellaneous (1Lot)
- g) Civil and Installation work (1Lot)

H. 66/33kV, 20MVA Transformer Substation at Makuyuni

- a) 66kV Incoming line bay with GCB, etc. (1 Lot)
- b) 66kV Transformer bay (2 Lots)
- c) 66/33kV, 10MVA Transformer with On-load Tap-changer (2 Nos.)
- d) 33kV switchgear panel (7 Nos.)
 - Transformer secondary (2 Nos.)
 - Line feeder (4 Nos.)
 - Station supply transformer (1 No.)



4 Minutes of Discussions

- e) 66kV Control and protection panel (3 Nos.)
- f) 33kV Control and protection panel (6 Nos.)
- g) DC Supply Equipment (1 Set)
- h) 66kV Conductor (1 Lot)
- i) 33kV Cable and end treatment material (1 Lot)
- j) Miscellaneous (1 Lot)
- k) Civil, Building and Installation work (1 Lot)

I. 66kV Outgoing bay at Kiyungi

- a) 66kV transmission line with GCB (1 Lot)
- b) 66kV Control panel (1 No.)
- c) Civil and Installation work (Expansion, 1 Lot)

J. Installation of New 66kV transmission line from Kiyungi to Makuyuni (34km)

K. 132kV Incoming/Outgoing bays at Same

- a) 132kV line bay with GCB, DS, etc. (2 Lots)
- b) 132kV Transformer bay (1 Lot)

L. Installation of 33kV transmission lines from Makuyuni to the existing lines (49km)

- a) 33kV transmission line from Makuyuni to Rombo-Mkuu
- b) 33kV transmission line from Makuyuni to Kilema
- c) 33kV transmission line from Makuyuni to Marangu
- d) 33kV transmission line from Makuyuni to Himo town

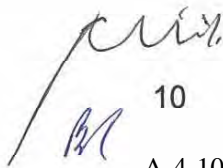
M. Installation of switching bay at Mkuu Rombo

- a) 33kV Incoming switchgear (1 No.)
- b) 33kV Outgoing switchgear (2 Nos.)
- c) 33kV Cable and end treatment material (1 Lot)
- d) Miscellaneous (1 Lot)
- e) Civil and Installation work (1 Lot)

N. Installation of 132/66kV, 20MVA transformer at Kiyungi substation

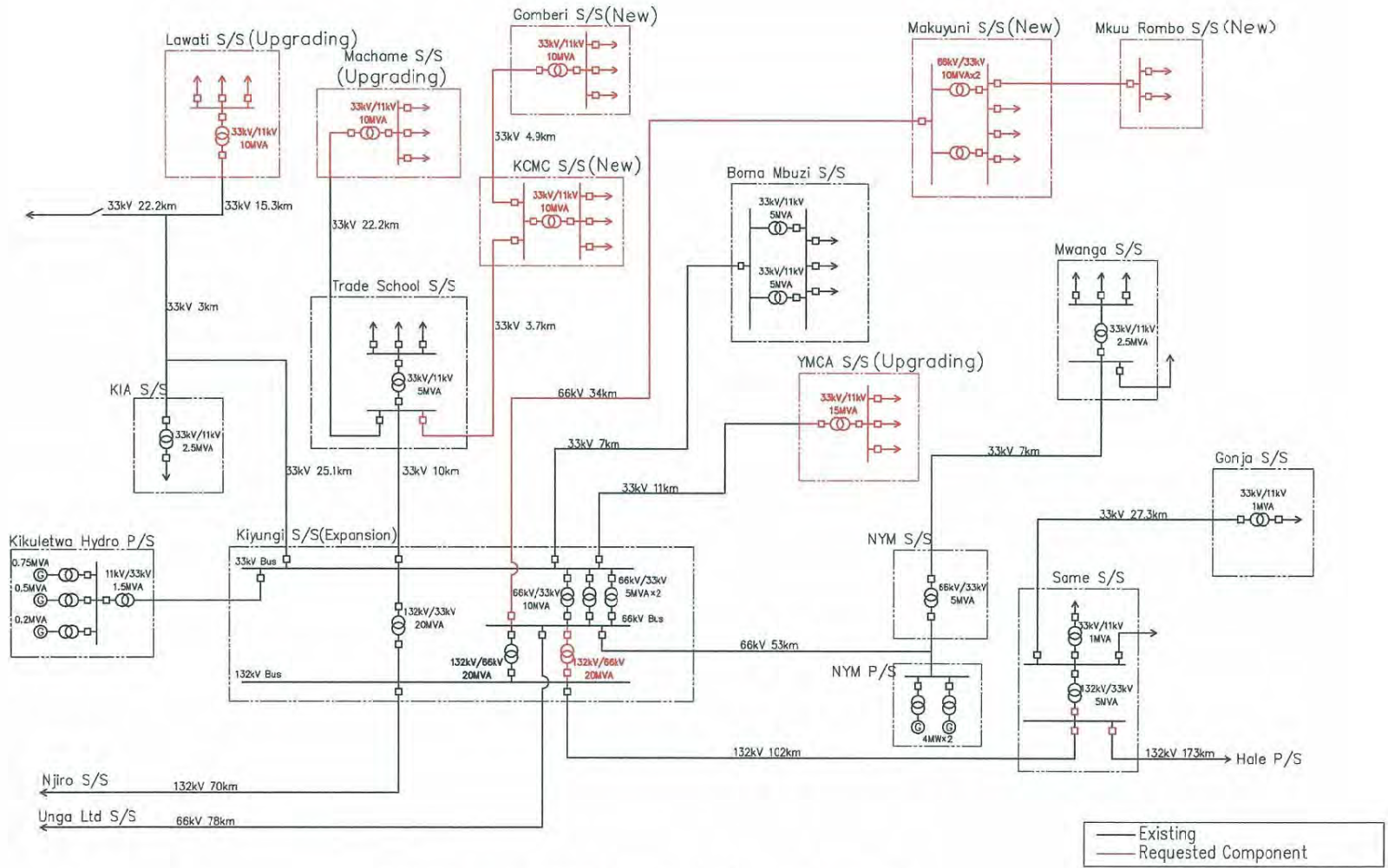
- a) 132/66kV, 20MVA transformer with On-load tap changer (1 No.)
- b) 132kV switch gear (1 Lot)
- c) 66kV switch gear (1 Lot)
- d) 132kV Control and Protection panel (1 No.)
- e) 66kV Control and Protection panel (1 No.)
- f) Miscellaneous (1 Lot)
- g) Civil and Installation work (1 Lot)

B1


10
A-4-10



3



Transmission and Distribution System in Kilimanjaro

Bl

A-4-11

11

Handwritten signature and initials

Handwritten signature

Handwritten mark

JAPAN'S GRANT AID

The Government of Japan (hereinafter referred to as “the GOJ”) is implementing the organizational reforms to improve the quality of ODA operations, and as a part of this realignment, a new JICA law was entered into effect on October 1, 2008. Based on the law and the decision of the Government of Japan (hereinafter referred to as “the GOJ”), JICA has become the executing agency of the Grant Aid for General Projects, for Fisheries and for Cultural Cooperation, etc.

The Grant Aid is non-reimbursable fund to a recipient country to procure the facilities, equipment and services (engineering services and transportation of the products, etc.) for economic and social development of the country under principles in accordance with the relevant laws and regulations of Japan. The Grant Aid is not supplied through the donation of materials as such.

1. Grant Aid Procedures

The Japanese Grant Aid is conducted as follows-

- Preparatory Survey (hereinafter referred to as “the Survey”)
 - The Survey conducted by JICA
- Appraisal & Approval
 - Appraisal by The GOJ and JICA, and Approval by the Japanese Cabinet
- Determination of Implementation
 - The Notes exchanged between the GOJ and a recipient country
- Grant Agreement (hereinafter referred to as “the G/A”)
 - Agreement concluded between JICA and a recipient country
- Implementation
 - Implementation of the Project on the basis of the G/A

2. Preparatory Survey

(1) Contents of the Survey

The aim of the Survey is to provide a basic document necessary for the appraisal of the Project by JICA and the GOJ. The contents of the Survey are as follows:

- Confirmation of the background, objectives, and benefits of the Project and also institutional capacity of agencies concerned of the recipient country necessary for the implementation of the Project.
- Evaluation of the appropriateness of the Project to be implemented under the Grant Aid Scheme from a technical, financial, social and economic point of view.
- Confirmation of items agreed on by both parties concerning the basic concept of the Project.
- Preparation of a basic design of the Project.
- Estimation of costs of the Project.

The contents of the original request by the recipient country are not necessarily approved in their initial form as the contents of the Grant Aid project. The Basic Design of the Project is confirmed considering the guidelines of the Japan's Grant Aid scheme.

JICA requests the Government of the recipient country to take whatever measures are necessary to ensure its self-reliance in the implementation of the Project. Such measures must be guaranteed

even though they may fall outside of the jurisdiction of the organization in the recipient country actually implementing the Project. Therefore, the implementation of the Project is confirmed by all relevant organizations of the recipient country through the Minutes of Discussions.

(2) Selection of Consultants

For smooth implementation of the Survey, JICA uses (a) registered consulting firm(s). JICA selects (a) firm(s) based on proposals submitted by interested firms.

(3) Result of the Survey

The Report on the Survey is reviewed by JICA, and after the appropriateness of the Project is confirmed, JICA recommends the GOJ to appraise the implementation of the Project.

3. Japan's Grant Aid Scheme

(1) The E/N and the G/A

After the Project is approved by the Cabinet of Japan, the Exchange of Notes (hereinafter referred to as "the E/N") will be signed between the GOJ and the Government of the recipient country to make a plea for assistance, which is followed by the conclusion of the G/A between JICA and the Government of the recipient country to define the necessary articles to implement the Project, such as payment conditions, responsibilities of the Government of the recipient country, and procurement conditions.

(2) Selection of Consultants

The consultant firm(s) used for the Survey will be recommended by JICA to the recipient country to also work on the Project's implementation after the E/N and the G/A, in order to maintain technical consistency.

(3) Eligible source country

Under the Japanese Grant Aid, in principle, Japanese products and services including transport or those of the recipient country are to be purchased. When JICA and the Government of the recipient country or its designated authority deem it necessary, the Grant Aid may be used for the purchase of the products or services of a third country. However, the prime contractors, namely, constructing and procurement firms, and the prime consulting firm are limited to "Japanese nationals".

(4) Necessity of "Verification"

The Government of the recipient country or its designated authority will conclude contracts denominated in Japanese yen with Japanese nationals. Those contracts shall be verified by JICA. This "Verification" is deemed necessary to secure accountability to Japanese taxpayers.

(5) Major undertakings to be taken by the Government of the Recipient Country

In the implementation of the Grant Aid Project, the recipient country is required to undertake such necessary measures as Annex-7.

BM


13



7

(6) "Proper Use"

The Government of the recipient country is required to maintain and use the facilities constructed and the equipment purchased under the Grant Aid properly and effectively and to assign staff necessary for this operation and maintenance as well as to bear all the expenses other than those covered by the Grant Aid.

(7) "Export and Re-export"

The products purchased under the Grant Aid should not be exported or re-exported from the recipient country.

(8) Banking Arrangements (B/A)

- a) The Government of the recipient country or its designated authority should open an account in the name of the Government of the recipient country in a bank in Japan (hereinafter referred to as "the Bank"). JICA will execute the Grant Aid by making payments in Japanese yen to cover the obligations incurred by the Government of the recipient country or its designated authority under the Verified Contracts.
- b) The payments will be made when payment requests are presented by the Bank to JICA under an Authorization to Pay (A/P) issued by the Government of the recipient country or its designated authority.

(9) Authorization to Pay (A/P)

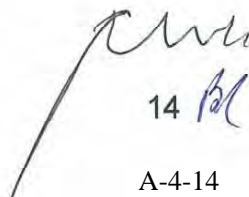
The Government of the recipient country should bear an advising commission of an Authorization to Pay and payment commissions to the Bank.

(10) Social and Environmental Considerations

A recipient country must ensure the social and environmental considerations for the Project and must follow the environmental regulation of the recipient country and JICA socio-environmental guideline.

(End)

B1


14 B1
A-4-14



5

Major Undertakings to be taken by Each Government

No.	Items	To be covered by Grant Aid	To be covered by Recipient Side
1	to secure [a lot] /[lots] of land necessary for the implementation of the Project and to clear the [site]/[sites];		●
2	To construct the following facilities		
	1) The building	●	
	2) The gates and fences in and around the site		●
	3) The parking lot	●	
	4) The road within the site	●	
	5) The road outside the site (including Access road)		●
3	To provide facilities for distribution of electricity, water supply and drainage and other incidental facilities necessary for the implementation of the Project outside the [site]/[sites]		
	1)Electricity		
	a. The distributing power line to the site		●
	b. The drop wiring and internal wiring within the site	●	
	c. The main circuit breaker and transformer	●	
	2) Water Supply		
	a. The city water distribution main to the site		●
	b. The supply system within the site (receiving and elevated tanks)	●	
	3) Drainage		
	a. The city drainage main (for storm sewer and others to the site)		●
	b. The drainage system (for toilet sewer, common waste, storm drainage and others) within the site	●	
	4) Gas Supply		
	a. The city gas main to the site		●
	b. The gas supply system within the site	●	
	5) Telephone System		
	a. The telephone trunk line to the main distribution frame/panel (MDF) of the building		●
	b. The MDF and the extension after the frame/panel	●	
	6) Furniture and Equipment		
	a. General furniture		●
	b. Project equipment	●	
4	To ensure prompt unloading and customs clearance of the products at ports of disembarkation in the recipient country and to assist internal transportation of the products		
	1) Marine (Air) transportation of the Products from Japan to the recipient country	●	
	2) Tax exemption and custom clearance of the Products at the port of disembarkation		●
	3) Internal transportation from the port of disembarkation to the project site	●	
5	To ensure that customs duties, internal taxes and other fiscal levies which may be imposed in the recipient country with respect to the purchase of the products and the services [be exempted] / [be borne by the Authority without using the Grant]		●
6	To accord Japanese nationals whose services may be required in connection with the supply of the products and the services such facilities as may be necessary for their entry into the recipient country and stay therein for the performance of their work		●
7	To ensure that [the Facilities and the products]/[the Facilities]/ [the products] be maintained and used properly and effectively for the implementation of the Project		●
8	To bear all the expenses, other than those covered by the Grant, necessary for the implementation of the Project		●
9	To bear the following commissions paid to the Japanese bank for banking services based upon the B/A		
	1) Advising commission of A/P		●
	2) Payment commission		●
10	To give due environmental and social consideration in the implementation of the Project.		●

Be

15
A-4-15

3


Minutes of Discussions
on 2nd Preparatory Survey on the Project for
Rehabilitation of Substation and Transmission Line in Kilimanjaro Region
in the United Republic of Tanzania

In response to the request from the Government of the United Republic of Tanzania (hereinafter referred to as "Tanzania"), the Japan International Cooperation Agency (hereinafter referred to as "JICA"), in consultation with the Government of Japan, decided to conduct a Preparatory Survey (hereinafter referred to as "the Survey") on the Project for Rehabilitation of Substation and Transmission Line in Kilimanjaro Region (hereinafter referred to as "the Project").

JICA sent to Tanzania the 2nd Preparatory Survey Team (hereinafter referred to as "the Team"), headed by Mr. Tetsuya TAKIMOTO, Deputy Director for Electric Power Division, Industrial Development Department, JICA. The Team is scheduled to stay in the country from June 7 to July 2, 2010.

The Team held discussions with the officials of Tanzanian authorities concerned (hereinafter referred to as "Tanzania side"). In the course of the discussions, both sides have confirmed the main items described in the sheets attached hereto.

Dar es Salaam, June 15, 2010



Tetsuya Takimoto
Deputy Director
Electric Power Division
Industrial Development Department
Japan International Cooperation Agency

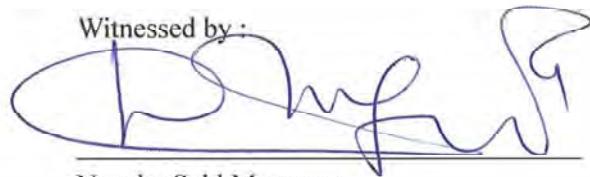


Bashir J. Mrindoko
Commissioner for Energy and Petroleum Affairs
Ministry of Energy and Minerals
The United Republic of Tanzania



Felchesmi Mramba
For Managing Director
Tanzania Electric Supply Company Ltd.
The United Republic of Tanzania

Witnessed by :



Ngosha Said Magonya
Commissioner for External Finance
Ministry of Finance and Economic Affairs
The United Republic of Tanzania

ATTACHMENT

1. Objective of the Project

The objective of the Project is to rehabilitate the substations and transmission/distribution network in Kilimanjaro Region.

2. Project Site

The Project sites which are selected through the 1st Preparatory Survey and the analysis in Japan based on the request from the Tanzania side are located in Kilimanjaro Region as shown in Annex-1.

3. Result of Analysis on 1st Preparatory Survey

JICA explained the result of analysis on 1st Preparatory Survey in Japan to Tanzania side. Based on the analysis, JICA selected the following component for the Project, and detailed contents of the components are described in Annex-2.

- (1) Upgrading of existing 33/11kV substations at YMCA, Lawati and Machame
- (2) Construction of 33/11kV substation at KCMC
- (3) Installation of 33kV outgoing bay at Trade School substation
- (4) Installation of 33kV distribution line from Trade School to KCMC substation
- (5) Construction of 66/33kV substation at Makuyuni
- (6) Installation of 66kV transmission line from Kiyungi to Makyuni and outgoing bay at Kiyungi substation
- (7) Installation of 132/66kV transformer at Kiyungi substation

Tanzania side understood the result of analysis on 1st Preparatory Survey in Japan and accepted the selected components to be covered by the Project.

4. Japan's Grant Aid Scheme

- (1) JICA confirmed that Tanzania side understood Japan's Grant Aid Scheme explained by the Team at the 1st Preparatory Survey as described in Annex-3.
- (2) The Tanzania side will take the necessary measures, as described in Annex-4, for smooth implementation of the Project as prerequisites for the Japan's Grant Aid to be implemented.



5. Schedule of the 2nd Preparatory Survey

The Team will continue the Survey in Tanzania until July 2, 2010. Based on the results of the Survey, JICA will send the mission to explain the Draft Final Report in November, 2010.

6. Other Relevant Issues

- (1) Status of the 2nd Preparatory Survey

The Team explained that the purpose of the Survey is to collect information and data necessary for the outline design and cost calculation of the Project components which are selected through the 1st Preparatory Survey and the analysis in Japan.

2



4 Minutes of Discussions

(2) Coordination among relevant donors and agencies

The Team requested the Tanzania side to ensure coordination among relevant donors and agencies for smooth implementation of the Project.

(3) Environmental and Social Considerations

- a) The Team requested the Tanzania side to ensure access to the site and undertake expropriation if necessary in order to secure the project site.
- b) The Team requested the Tanzania side to conduct the required environmental works, and obtain approval on environmental clearance for implementation of the Project
- c) The Tanzania side agreed to comply with the JICA Guidelines for Environmental and Social Considerations (hereinafter referred to as "JICA Guidelines") as well as Tanzanian laws and regulations, and requested to prepare Environmental Checklist and Monitoring Form which are designated by JICA Guidelines for an outline design. The Tanzania side agreed to make necessary arrangements with governmental organizations concerned in order to secure funding for and execution of the above environmental matters in a schedule as required for smooth execution of the Project.

(4) Counterpart Personnel

The Team requested the Tanzania side that necessary number of counterpart personnel shall be assigned to the Team and necessary arrangements with related organizations be made during the Survey in Tanzania.

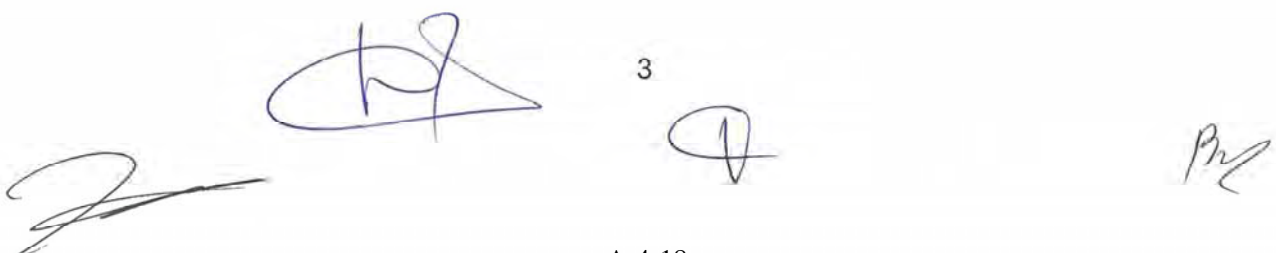
(5) Major Undertakings to be taken by the Tanzania Side

The Tanzania side agreed to undertake the following particular items out of general undertakings described in Annex-4.

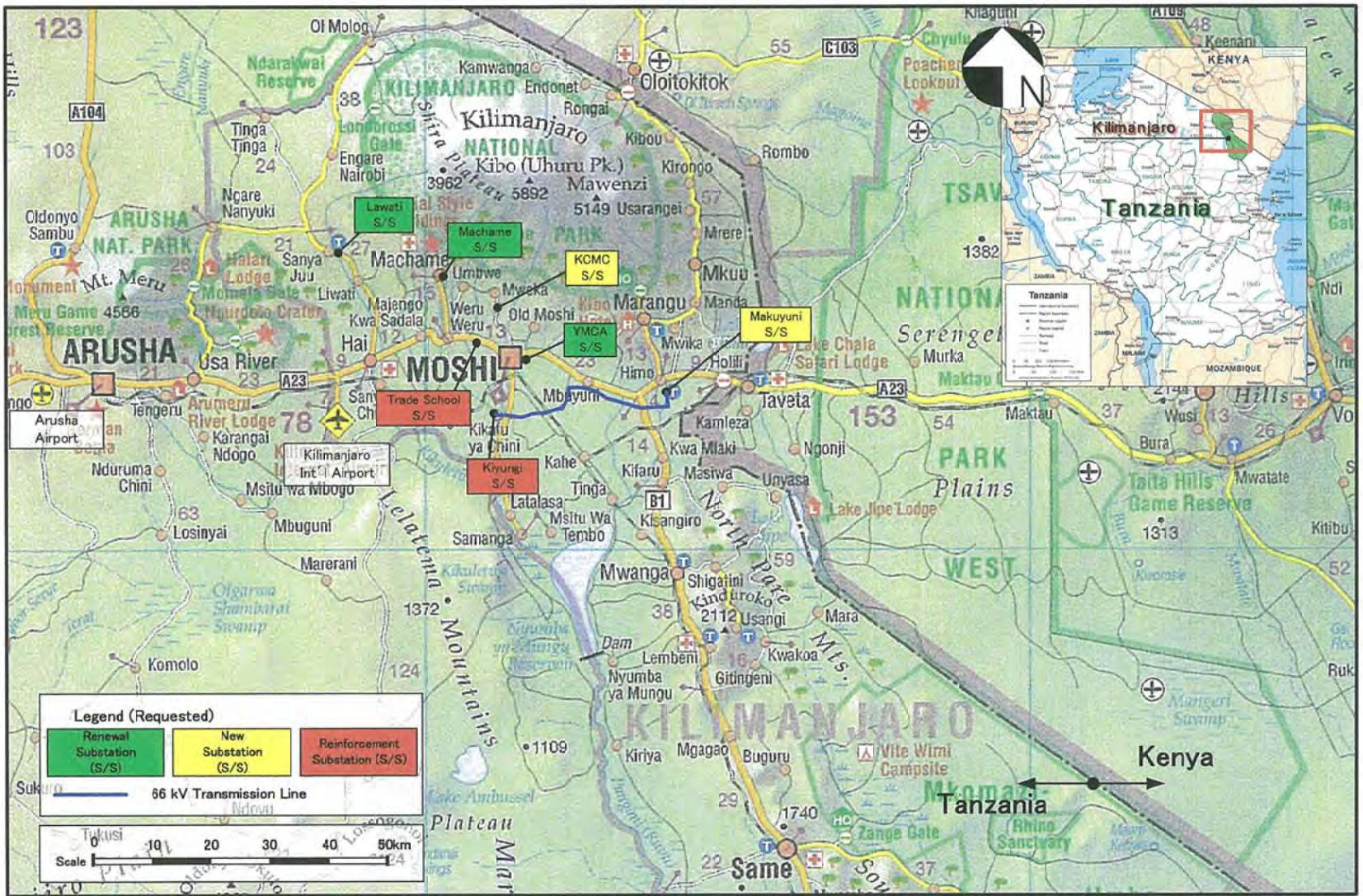
- a) To install 33kV feeder lines to connect Makuyuni substation and the existing 33kV distribution lines by the completion of the work by the Japanese side.
- b) To allocate a budget for the above mentioned work.
- c) To construct temporary roads necessary for the construction of 66kV transmission line between Kiyungi and Makuyuni (approx. 20km) by the commencement of the work by the Japanese side.
- d) To obtain permission from land owners necessary for the construction work by the Japanese side by the end of October 2010.
- e) To secure a storage yard with the area of 150m x 150m by the commencement of the work by the Japanese side.
- f) To remove obstacles from the Project sites such as obsolete reactors, outdoor cubicles and foundation at Kiyungi substation, trees, bush and crops on the wayleave of transmission and distribution lines to be installed under the Project, etc. by the commencement of the work by the Japanese side.

(End)

- Annex-1 Project site
Annex-2 Selected Components to be Covered by the Project
Annex-3 Japan's Grant Aid Scheme
Annex-4 Major Undertakings to be taken by Each Government



3



Project Sites

A-4-19

4

[Handwritten signature]

[Handwritten mark]

[Handwritten mark]

Selected Components to be Covered by the Project

- A. 33/11kV, 15MVA Transformer Substation at YMCA**
- a) 33kV Incoming switchgear panel with VCB (1 No.)
 - b) 33/11kV, 15MVA Transformer with On-load Tap-changer (1 No.)
 - c) 11kV switchgear panel (6 Nos.)
 - Transformer secondary (1 No.)
 - Line feeder (3 Nos.)
 - Station supply transformer (1 No.)
 - LV supply and control (1 No.)
 - d) 33kV Cable and end treatment material (1 Lot)
 - e) 11kV Cable and end treatment material (1 Lot)
 - f) Miscellaneous (1 Lot)
 - g) Civil and Installation work (1 Lot)
- B. 33/11kV, 10MVA Transformer Substation at Lawati**
- a) 33kV Incoming switchgear panel with VCB (1 No.)
 - b) 33/11kV, 10MVA Transformer with On-load Tap-changer (1 No.)
 - c) 11kV switchgear panel (6 Nos.)
 - Transformer secondary (1 No.)
 - Line feeder (3 Nos.)
 - Station supply transformer (1 No.)
 - LV supply and control (1 No.)
 - d) 33kV Cable and end treatment material (1 Lot)
 - e) 11kV Cable and end treatment material (1 Lot)
 - f) Miscellaneous (1 Lot)
 - g) Civil and Installation work (1 Lot)
- C. 33/11kV, 10MVA Transformer Substation at Machame**
- a) 33kV Incoming switchgear panel with VCB (1 No.)
 - b) 33/11kV, 10MVA Transformer with On-load Tap-changer (1 No.)
 - c) 11kV switchgear panel (6 Nos.)
 - Transformer secondary (1 No.)
 - Line feeder (3 Nos.)
 - Station supply transformer (1 No.)
 - LV supply and control (1 No.)
 - d) 33kV Cable and end treatment material (1 Lot)
 - e) 11kV Cable and end treatment material (1 Lot)
 - f) Miscellaneous (1 Lot)
 - g) Civil and Installation work (1 Lot)

D. 33/11kV, 5MVA Transformer Substation at KCMC

- a) 33kV incoming switchgear panel with VCB (3 Nos.)
- b) 33/11kV, 5MVA Transformer with On-load Tap-changer (1 No.)
- c) 11kV switchgear panel (6 Nos.)
 - Transformer secondary (1 No.)
 - Line feeder (3 Nos.)
 - Station supply transformer (1 No.)
 - LV supply and control (1 No.)
- d) 33kV Cable and end treatment material (1 Lot)
- e) 11kV Cable and end treatment material (1 Lot)
- f) Miscellaneous (1 Lot)
- g) Civil and Installation work (1 Lot)

E. 33kV Outgoing bay at Trade School substation

- a) 33kV Outgoing switchgear panel with VCB (1 No.)
- b) 33kV Cable and end treatment material (1 Lot)
- c) Civil and Installation work (1 Lot)

F. Installation of 33kV distribution line from Trade School to KCMC (3.7km)

G. 66/33kV, 20MVA Transformer Substation at Makuyuni

- a) 66kV Incoming line bay with GCB, etc. (1 Lot)
- b) 66kV Transformer bay (2 Lots)
- c) 66/33kV, 10MVA Transformer with On-load Tap-changer (2 Nos.)
- d) 33kV switchgear panel (7 Nos.)
 - Transformer secondary (2 Nos.)
 - Line feeder (4 Nos.)
 - Station supply transformer (1 No.)
- e) 66kV Control and protection panel (3 Nos.)
- f) 33kV Control and protection panel (6 Nos.)
- g) DC Supply Equipment (1 Set)
- h) 66kV Conductor (1 Lot)
- i) 33kV Cable and end treatment material (1 Lot)
- j) Miscellaneous (1 Lot)
- k) Civil, Building and Installation work (1 Lot)

Remarks: Excluding SCADA and data transfer system for Makuyuni substation

H. 66kV Outgoing bay at Kiyungi

- a) 66kV transmission line with GCB (1 Lot)
- b) 66kV Control panel (1 No.)
- c) Civil and Installation work (1 Lot)

I. Installation of New 66kV transmission line from Kiyungi to Makuyuni (34km)



6



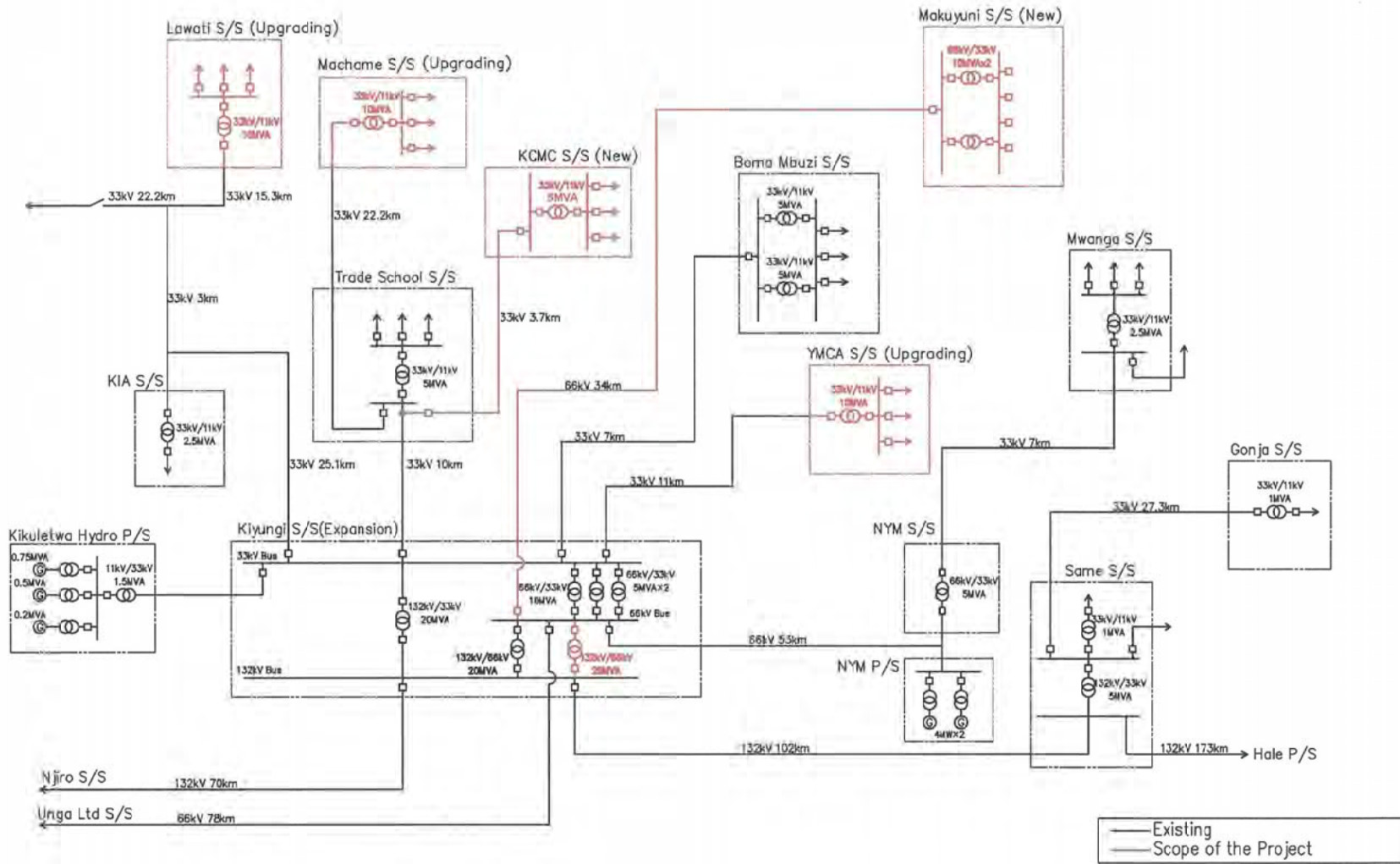
- J. Installation of 132/66kV, 20MVA transformer at Kiyungi substation**
- a) 132/66kV, 20MVA transformer with On-load tap changer (1 No.)
 - b) 132kV switch gear (1 Lot)
 - c) 66kV switch gear (1 Lot)
 - d) 132kV Control and Protection panel (1 No.)
 - e) 66kV Control and Protection panel (1 No.)
 - f) Miscellaneous (1 Lot)
 - g) Civil and Installation work (1 Lot)



7



PC



Components to be Covered by the Project

A-4-23

[Handwritten signatures and scribbles]

8

[Handwritten signature]