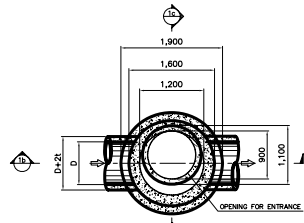
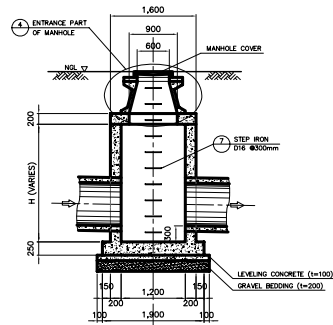


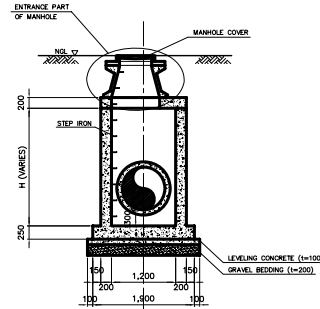
CIRCULAR MANHOLE TYPE-1 (ø1200)



1a PLAN SCALE A

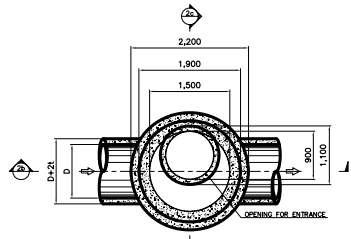


1b SECTION SCALE A

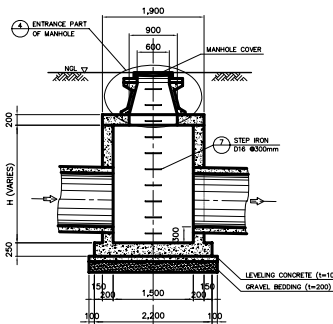


1c SECTION SCALE A

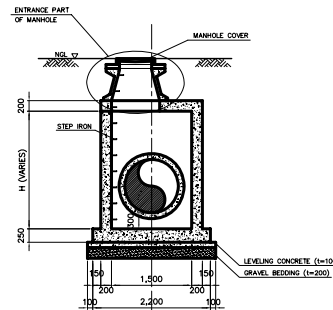
CIRCULAR MANHOLE TYPE-2 (ø1500)



2a PLAN SCALE A

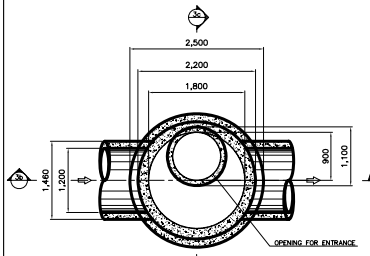


2b SECTION SCALE A

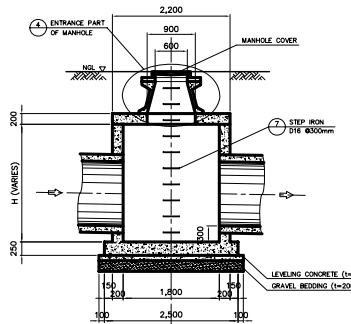


2c SECTION SCALE A

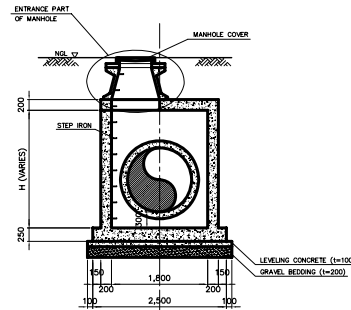
CIRCULAR MANHOLE TYPE-3 (ø1800)



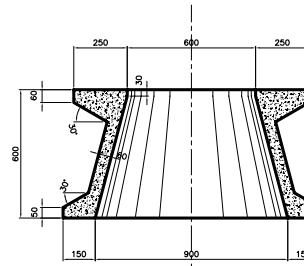
3a PLAN SCALE A



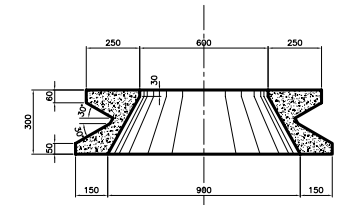
3b SECTION SCALE A



3c SECTION SCALE A



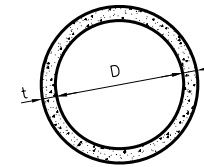
TYPE-A



TYPE-B

4 ENTRANCE PART OF MANHOLE SCALE C

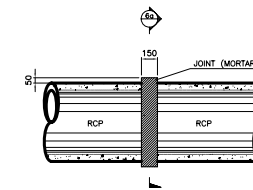
TYPE-A : FOR THE CASE THAT COVERING OF PIPE IS MORE THAN 1m
TYPE-B : FOR THE CASE THAT COVERING OF PIPE IS LESS THAN 1m



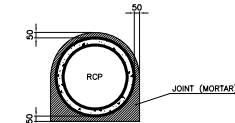
5 TRANSVERSE SECTION OF DRAINAGE PIPE

TABLE OF DIMENSIONS

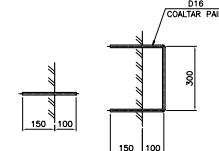
Inside Diameter : D (mm)	Thickness : t (mm)
600	75
800	100
1000	110
1200	130
1500	165
1800	200
2000	220



6 PIPE COLLAR SCALE B



6a SECTION SCALE B



7 DETAIL OF STEP IRON SCALE C

SCALE A	0.0	1.0	2.0	3.0	4.0	5.0m
SCALE B	0.0	0.5	1.0	1.5	2.0	2.5m
SCALE C	0.0	0.25	0.5	0.75	1.0	1.25m

CIRCULAR MANHOLE TYPE-4 (φ2100)

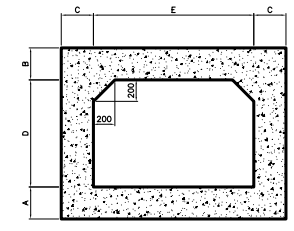
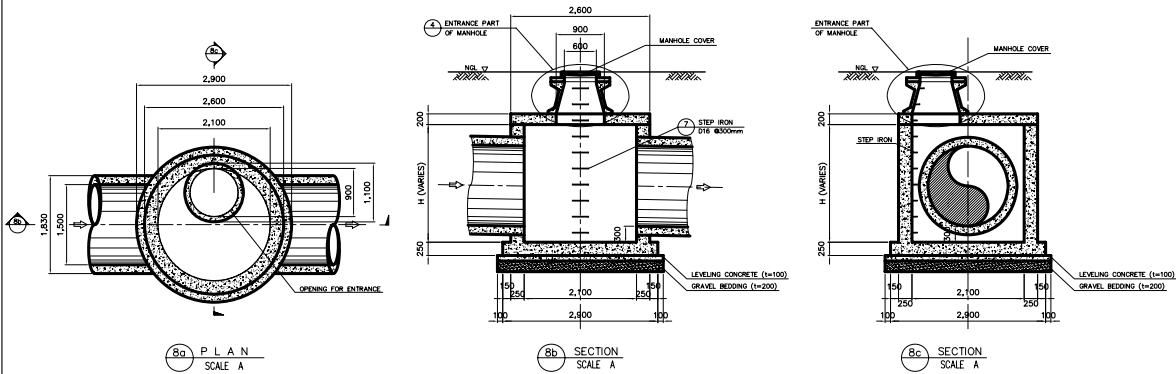
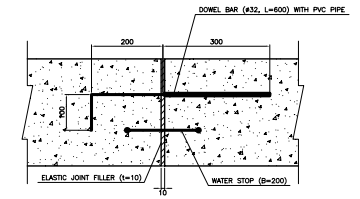
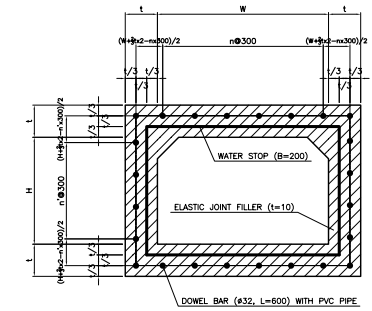
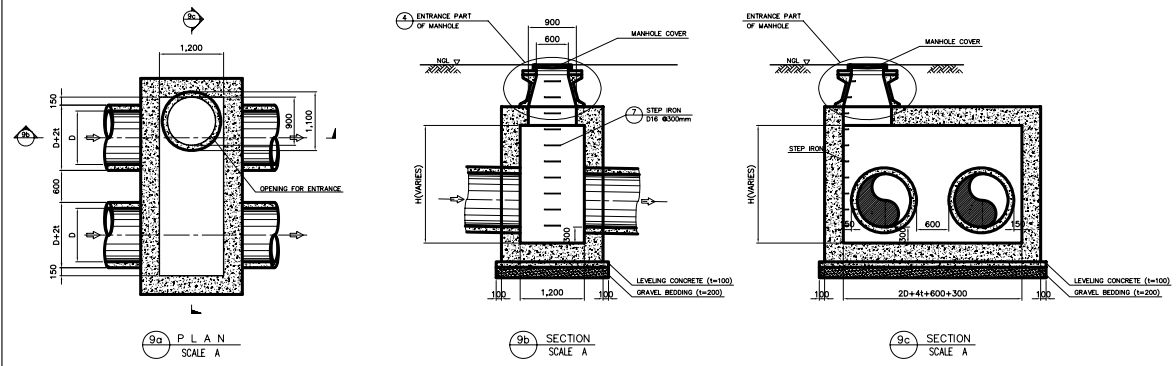


TABLE OF DIMENSIONS

Installation Site	A (mm)	B (mm)	C (mm)	D (mm)	E (mm)
R161 (fr R164 to R217)	300	300	300	1000	1250
R161 (Crossing R217)	300	300	300	1000	1500
R163 (fr R161 to Sihanouk)	300	300	300	2000	2500
Monivong (fr R278 to R288)	300	300	300	1000	1500

11 TRANSVERSE SECTION OF BOX CULVERT SCALE B

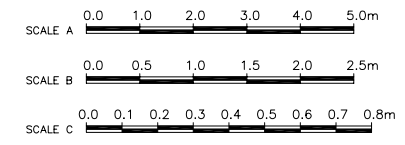
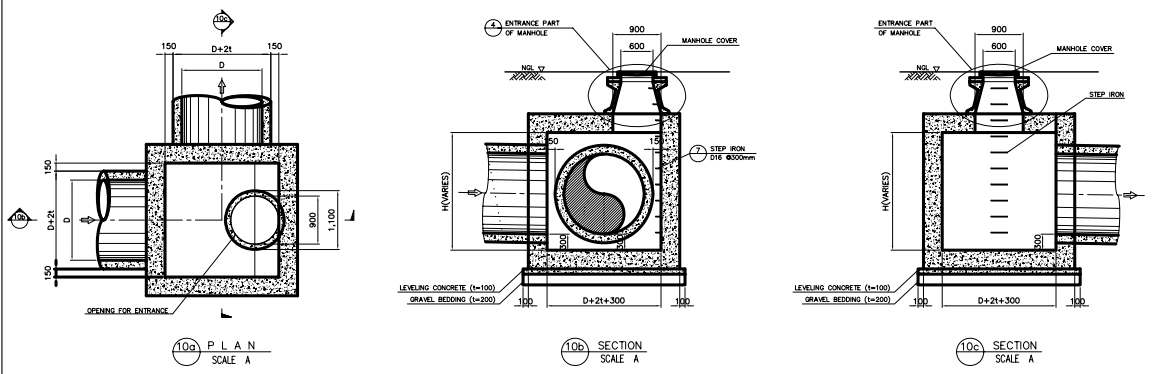
RECTANGLE MANHOLE TYPE-A (STRAIGHT)

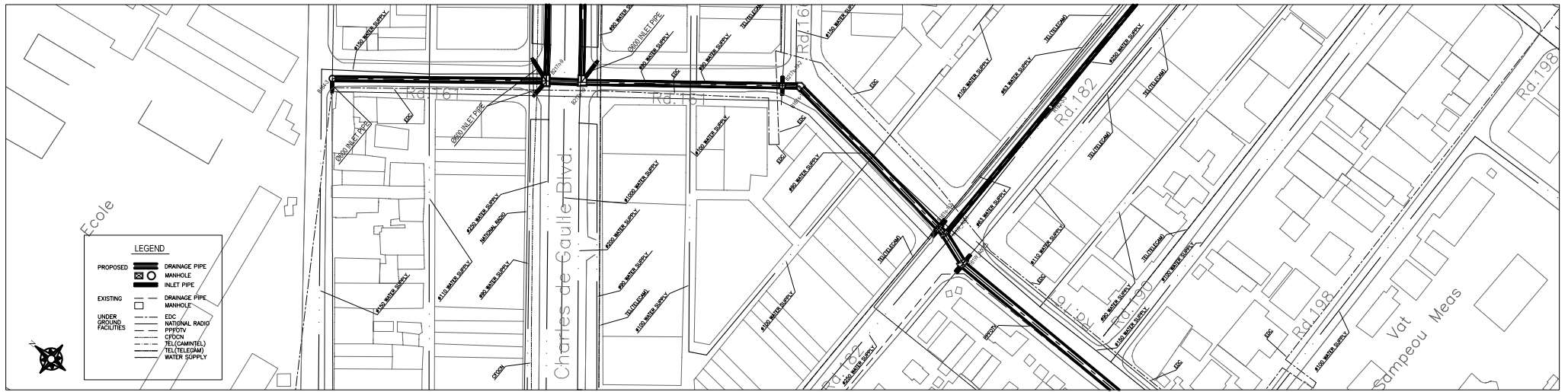


12 MOVEMENT JOINT OF BOX CULVERT SCALE B

13 DETAIL OF MOVEMENT JOINT SCALE C

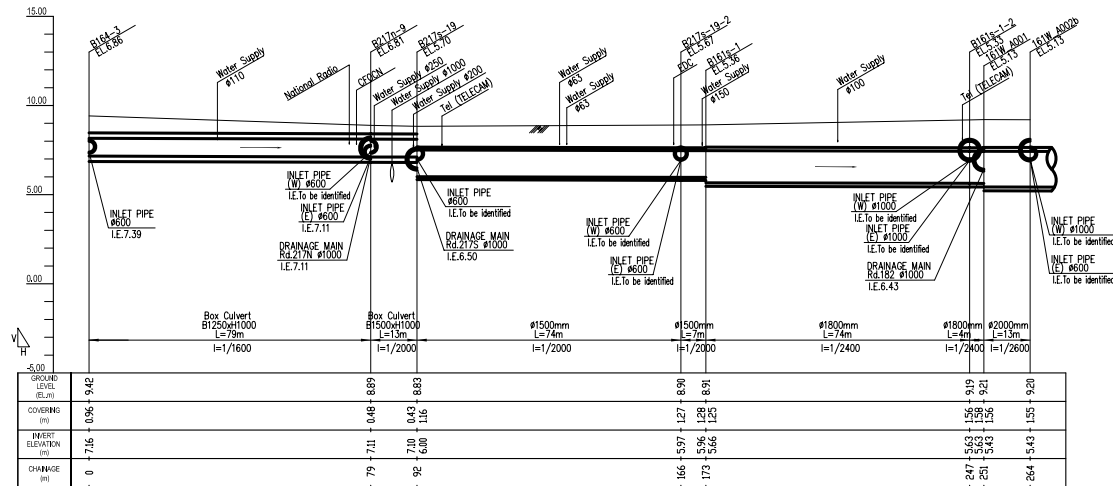
RECTANGLE MANHOLE TYPE-B (BENDING)





PLAN (Manhole No. fr. B164-3 to 161W_A002b)

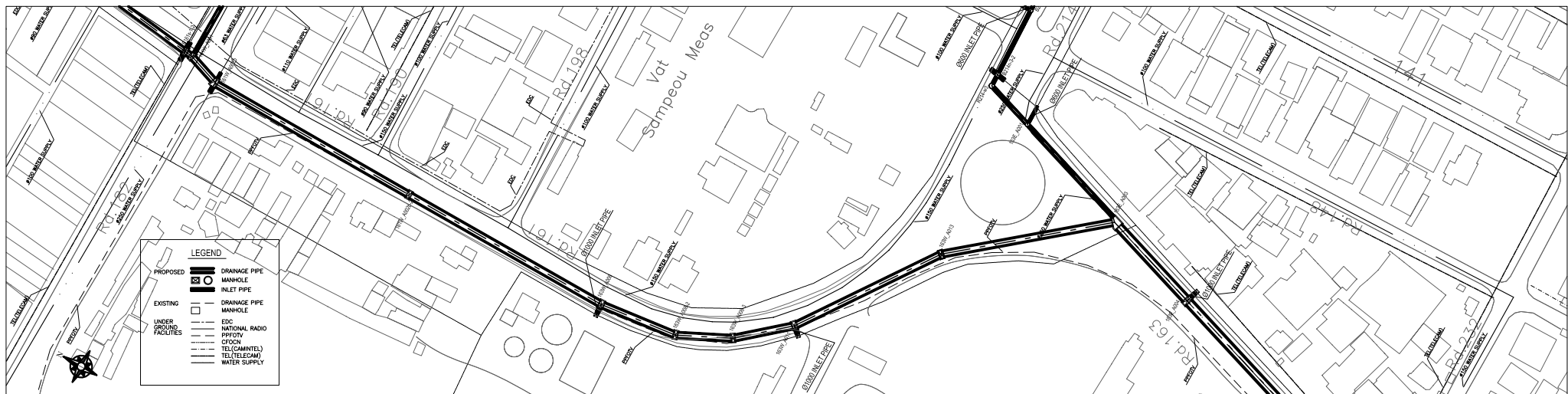
SCALE A



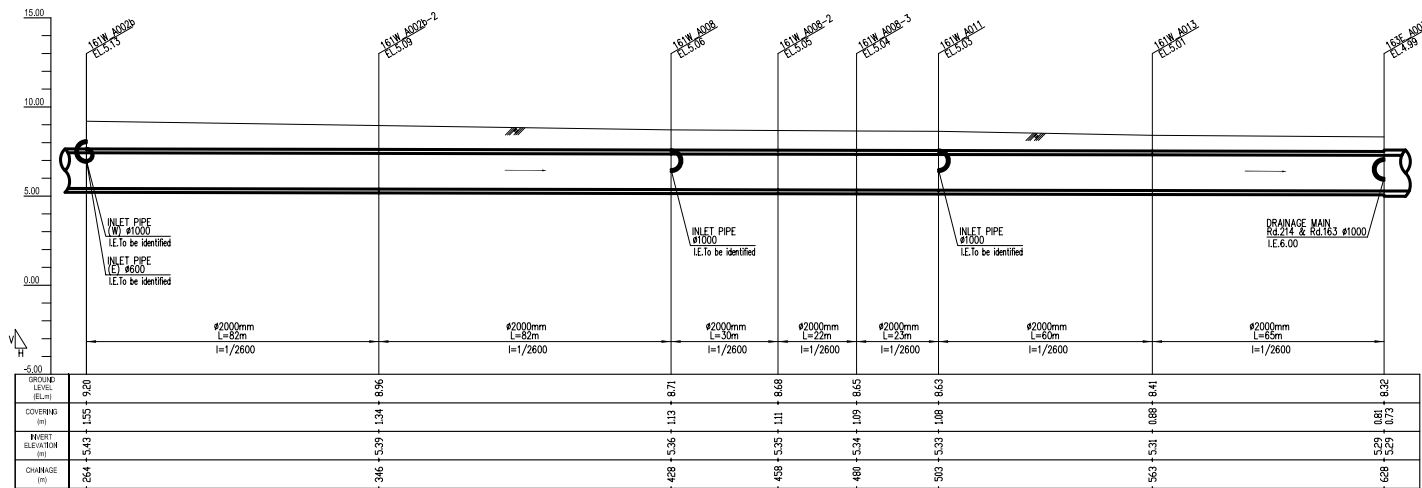
PROFILE (Manhole No. fr. B164-3 to 161W_A002b)

H: SCALE A V: SCALE B





PLAN (Manhole No. fr. 161W_A002b to 163E_A003)
 SCALE A



PROFILE (Manhole No. fr. 161W_A002b to 163E_A003)
 H: SCALE A V: SCALE B

