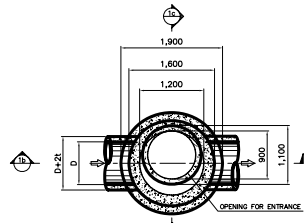
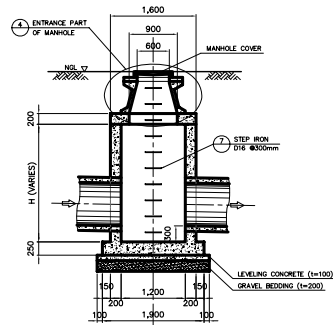


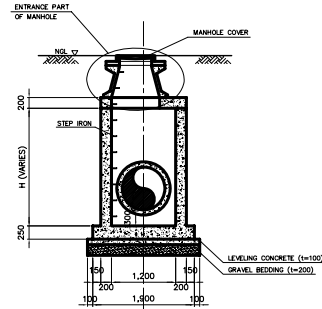
CIRCULAR MANHOLE TYPE-1 (ø1200)



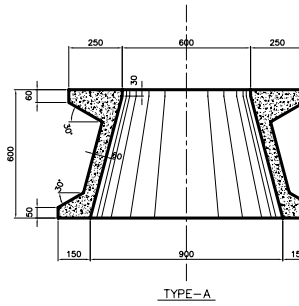
1a PLAN SCALE A



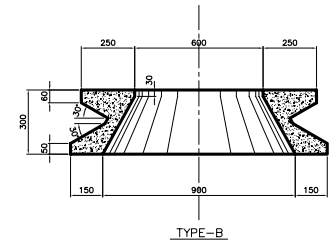
1b SECTION SCALE A



1c SECTION SCALE A



TYPE-A

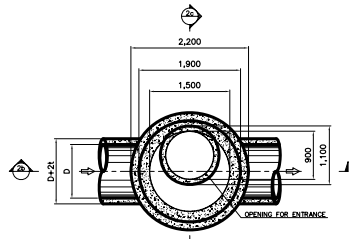


TYPE-B

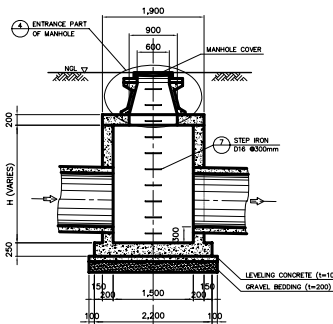
4 ENTRANCE PART OF MANHOLE SCALE C

TYPE-A : FOR THE CASE THAT COVERING OF PIPE IS MORE THAN 1m
TYPE-B : FOR THE CASE THAT COVERING OF PIPE IS LESS THAN 1m

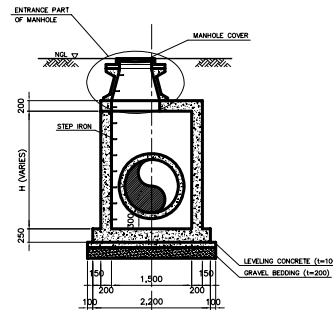
CIRCULAR MANHOLE TYPE-2 (ø1500)



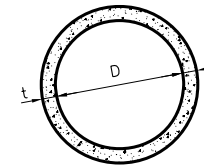
2a PLAN SCALE A



2b SECTION SCALE A



2c SECTION SCALE A

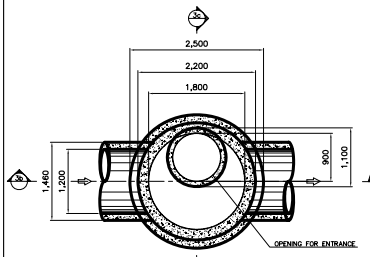


5 TRANSVERSE SECTION OF DRAINAGE PIPE

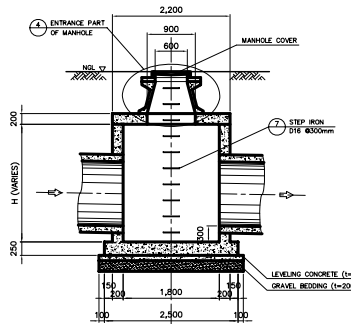
TABLE OF DIMENSIONS

Inside Diameter : D (mm)	Thickness : t (mm)
600	75
800	100
1000	110
1200	130
1500	165
1800	200
2000	220

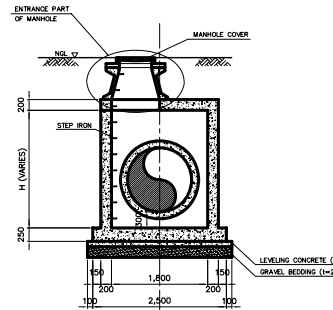
CIRCULAR MANHOLE TYPE-3 (ø1800)



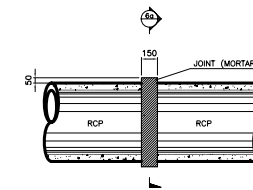
3a PLAN SCALE A



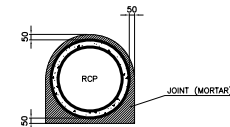
3b SECTION SCALE A



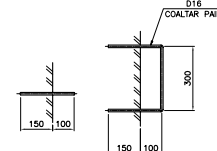
3c SECTION SCALE A



6 PIPE COLLAR SCALE B



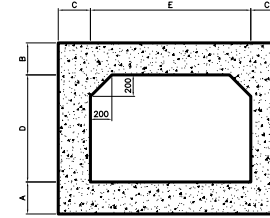
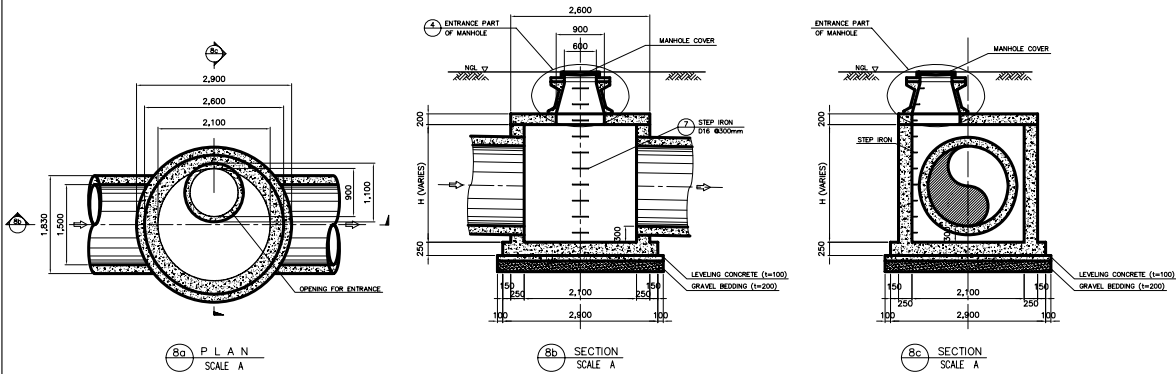
6a SECTION SCALE B



7 DETAIL OF STEP IRON SCALE C

SCALE A	0.0	1.0	2.0	3.0	4.0	5.0m
SCALE B	0.0	0.5	1.0	1.5	2.0	2.5m
SCALE C	0.0	0.25	0.5	0.75	1.0	1.25m

CIRCULAR MANHOLE TYPE-4 (φ2100)

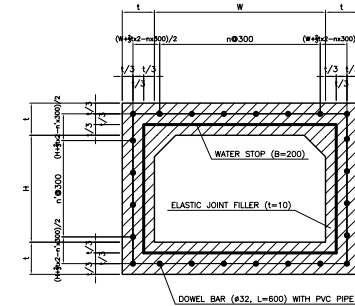
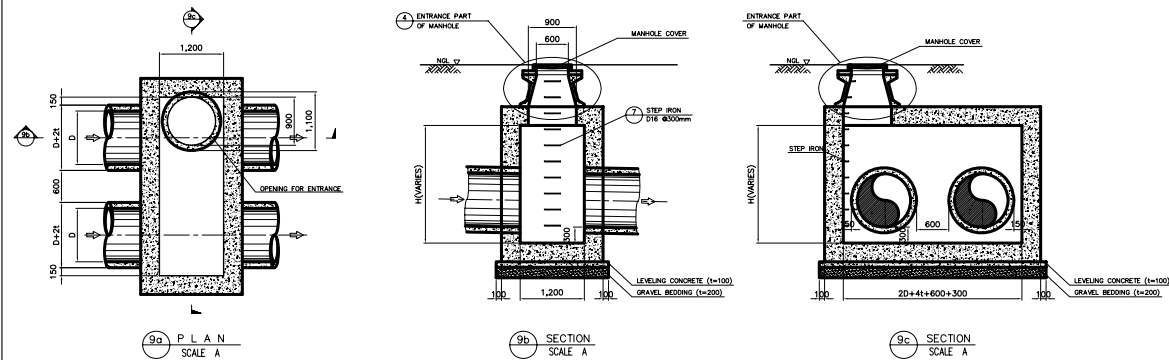


11 TRANSVERSE SECTION OF BOX CULVERT SCALE B

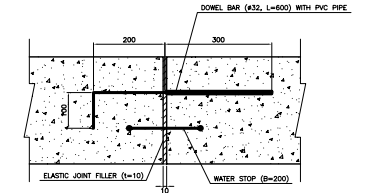
TABLE OF DIMENSIONS

Installation Site	A (mm)	B (mm)	C (mm)	D (mm)	E (mm)
R161 (fr R164 to R217)	300	300	300	1000	1250
R161 (Crossing R217)	300	300	300	1000	1500
R163 (fr R161 to Sihanouk)	300	300	300	2000	2500
Monivong (fr R278 to R288)	300	300	300	1000	1500

RECTANGLE MANHOLE TYPE-A (STRAIGHT)

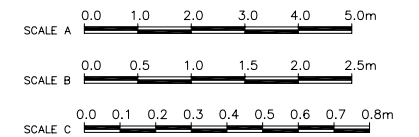
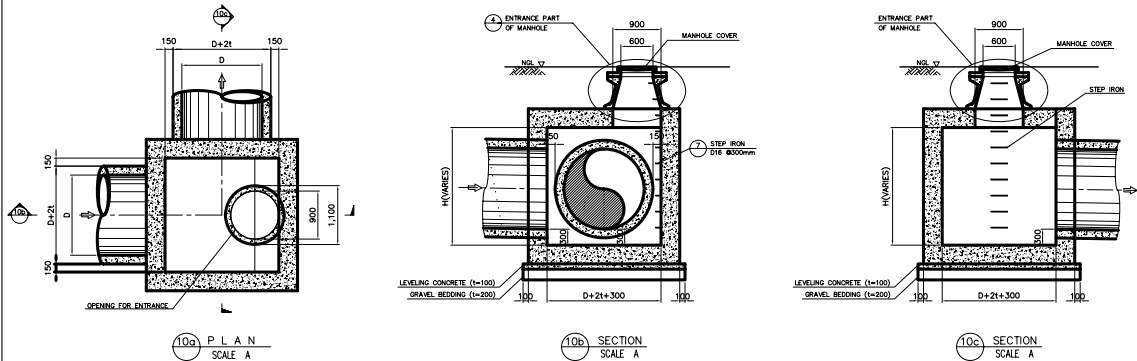


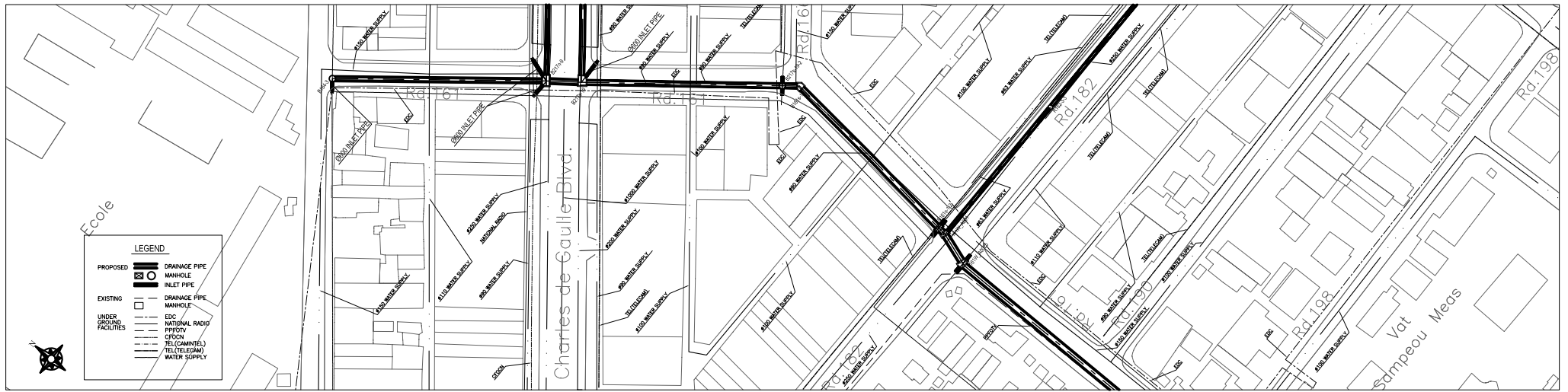
12 MOVEMENT JOINT OF BOX CULVERT SCALE B



13 DETAIL OF MOVEMENT JOINT SCALE C

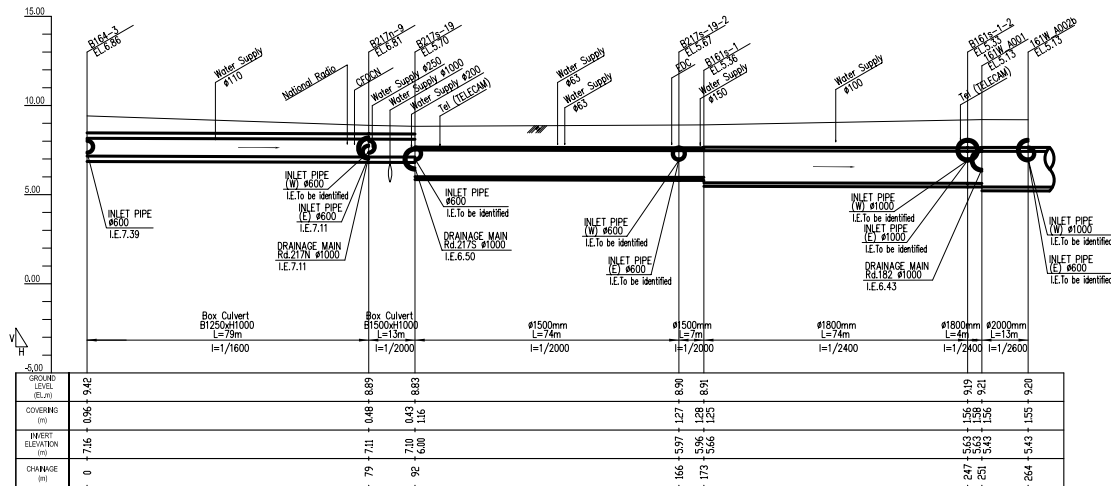
RECTANGLE MANHOLE TYPE-B (BENDING)





PLAN (Manhole No. fr. B164-3 to 161W_A002b)

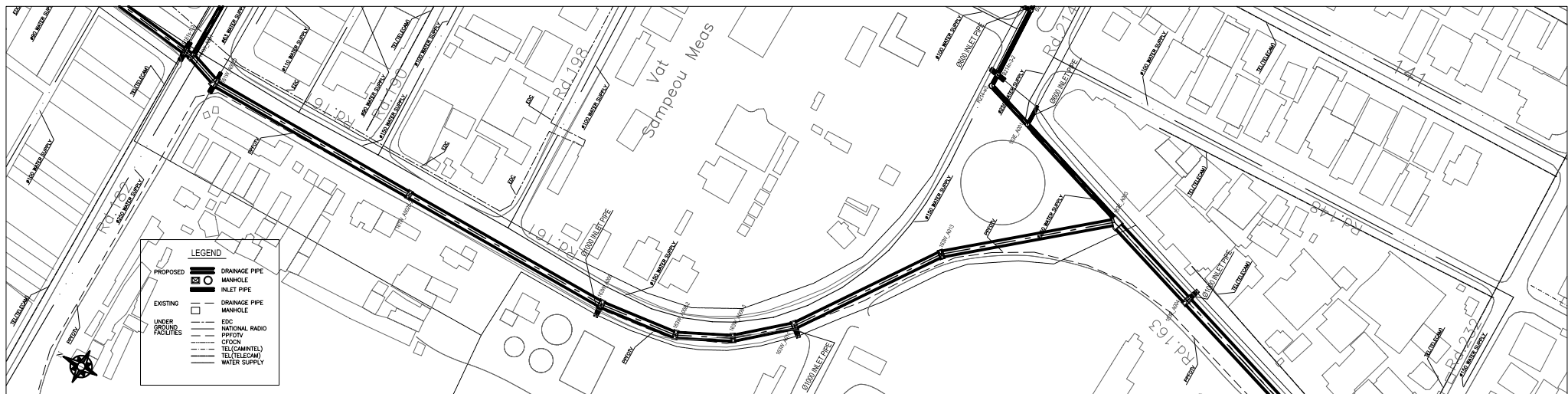
SCALE A



PROFILE (Manhole No. fr. B164-3 to 161W_A002b)

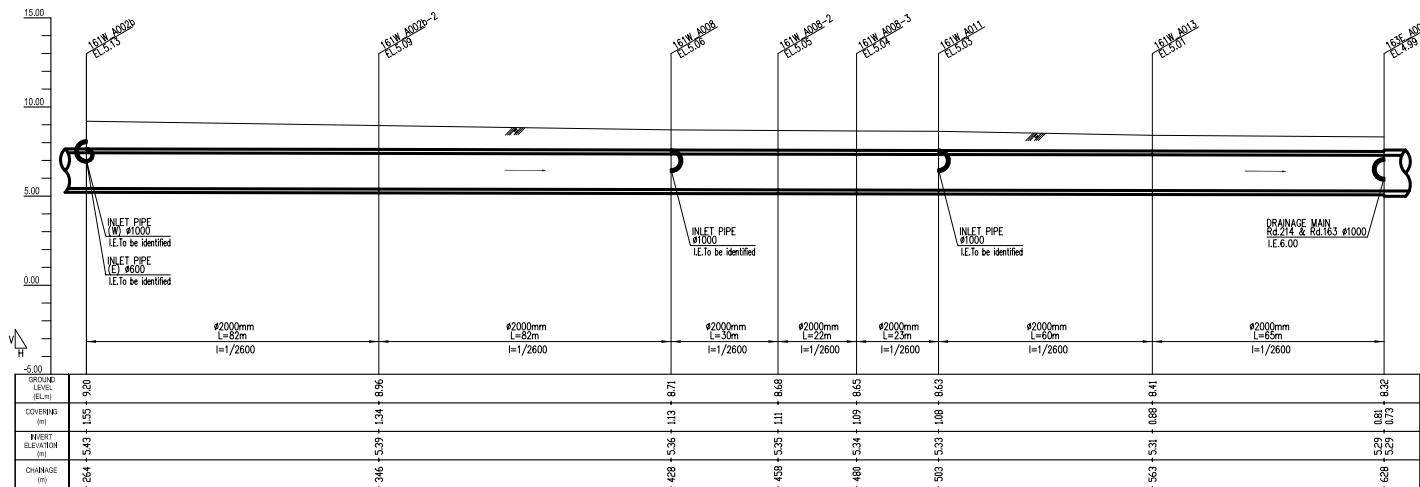
H: SCALE A V: SCALE B





PLAN (Manhole No. fr. 161W_A002b to 163E_A003)

SCALE A



PROFILE (Manhole No. fr. 161W_A002b to 163E_A003)

H: SCALE A V: SCALE B

