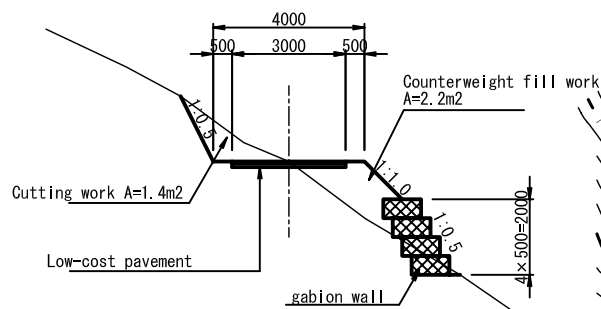
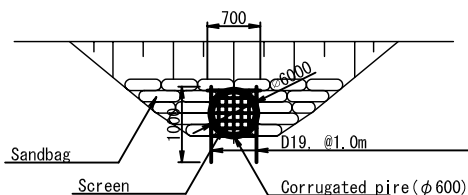


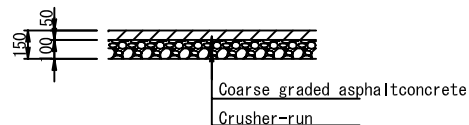
A-A Cross Section S=1:100



Underdrainage S=1:50



Asphalt pavement S=1:20



General Plan site road

Site road W=4.0m L=686.0m i=0~42%. Cutting work V=1171.2m³. Counterweight fill work V=1112.6m³. Gabion wall L=686.0m
 Asphalt pavement A=1834.8m². Passing place=2Point. Temporary material yard=1Point. Underdrainage (φ600) L=40.0m

Passing place

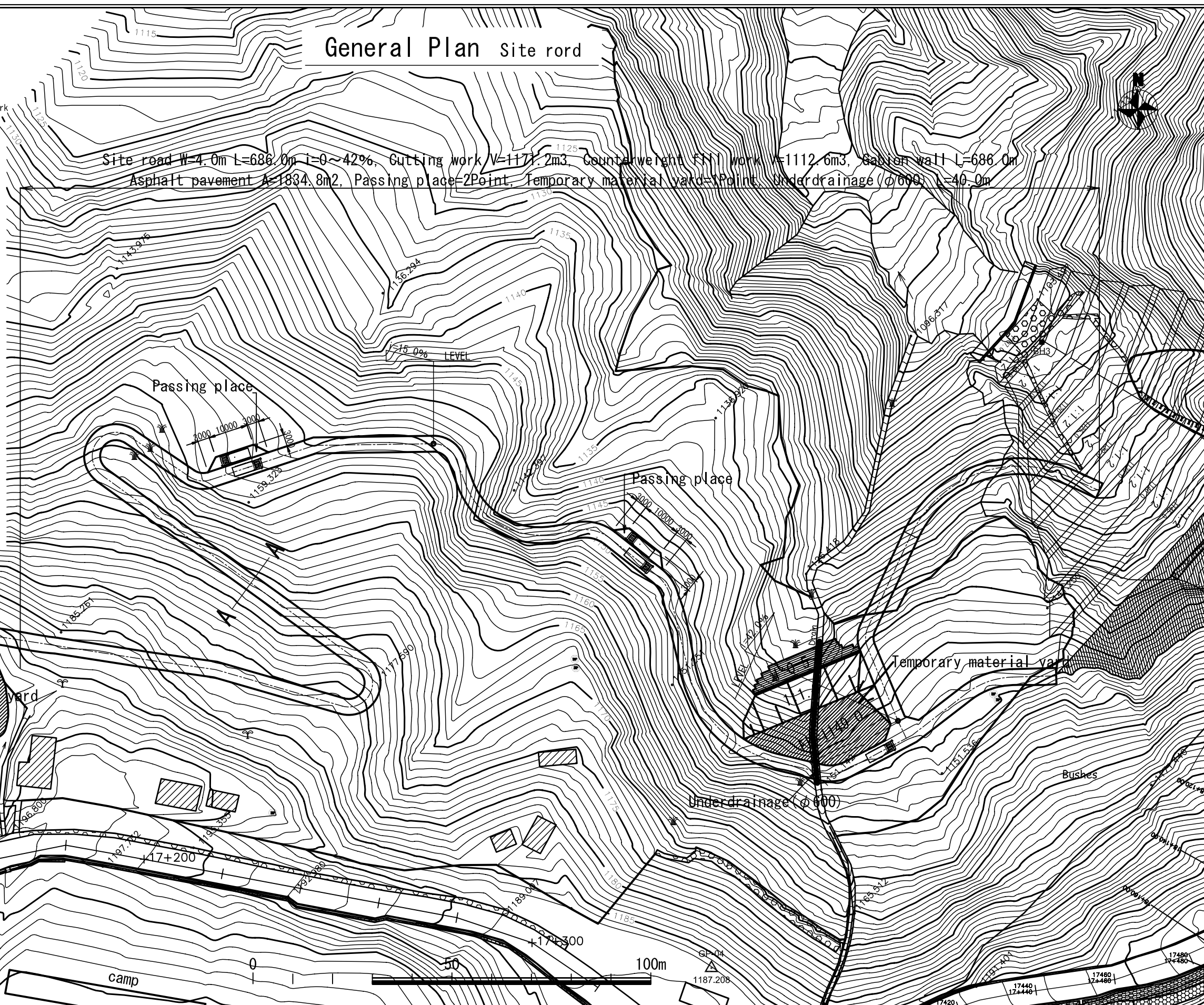
Passing place

Temporary material yard

Temporary material yard

Underdrainage (φ600)

Legend	
	Site road
	Passing place
	Temporary material yard
	Gabion wall
	Slope
	Underdrainage (φ600)



THE DEPARTMENT OF ROADS
 MINISTRY OF PHYSICAL PLANNING
 AND WORKS
 NEPAL

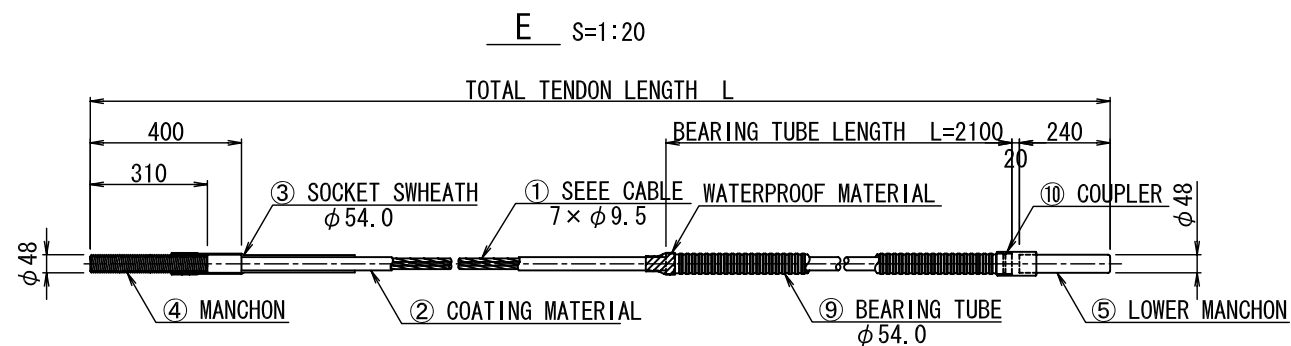
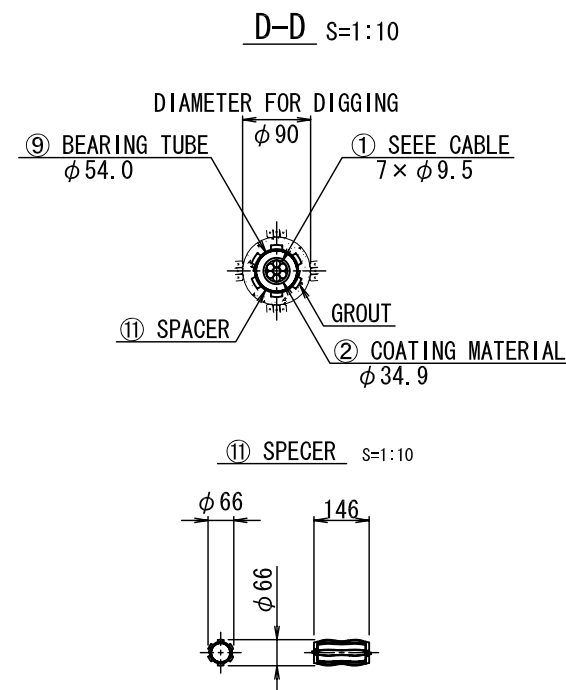
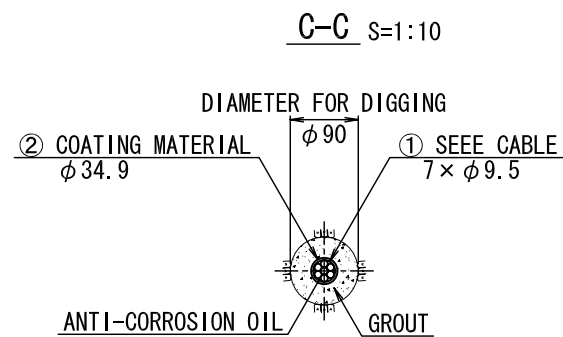
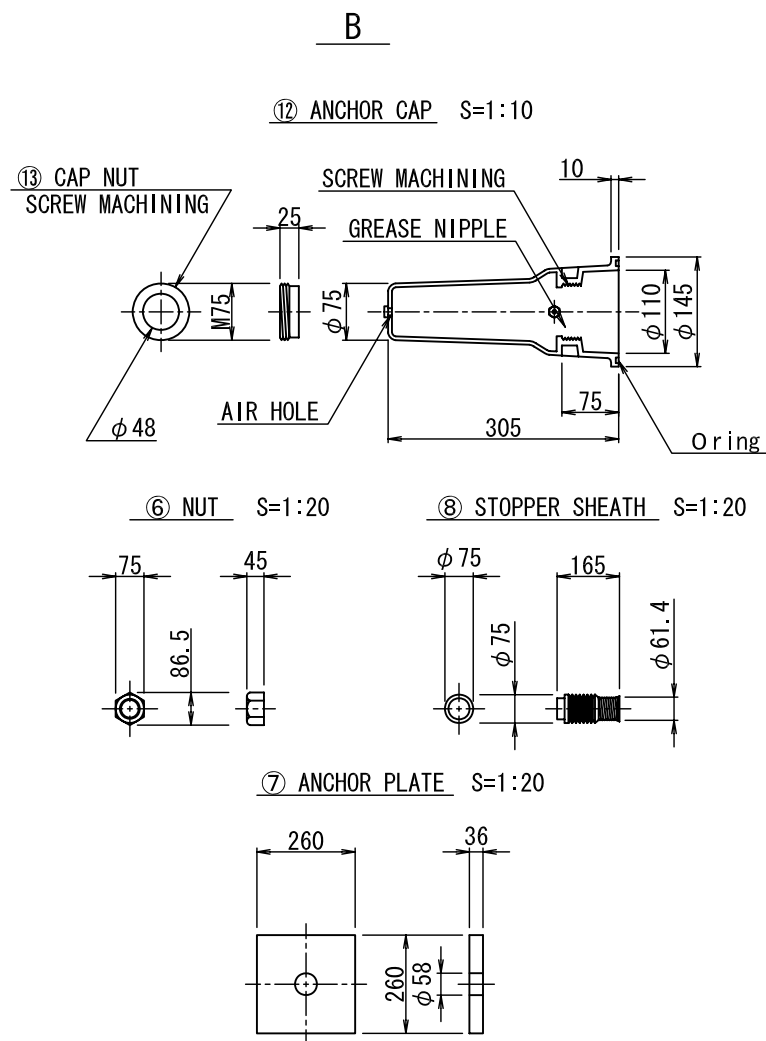
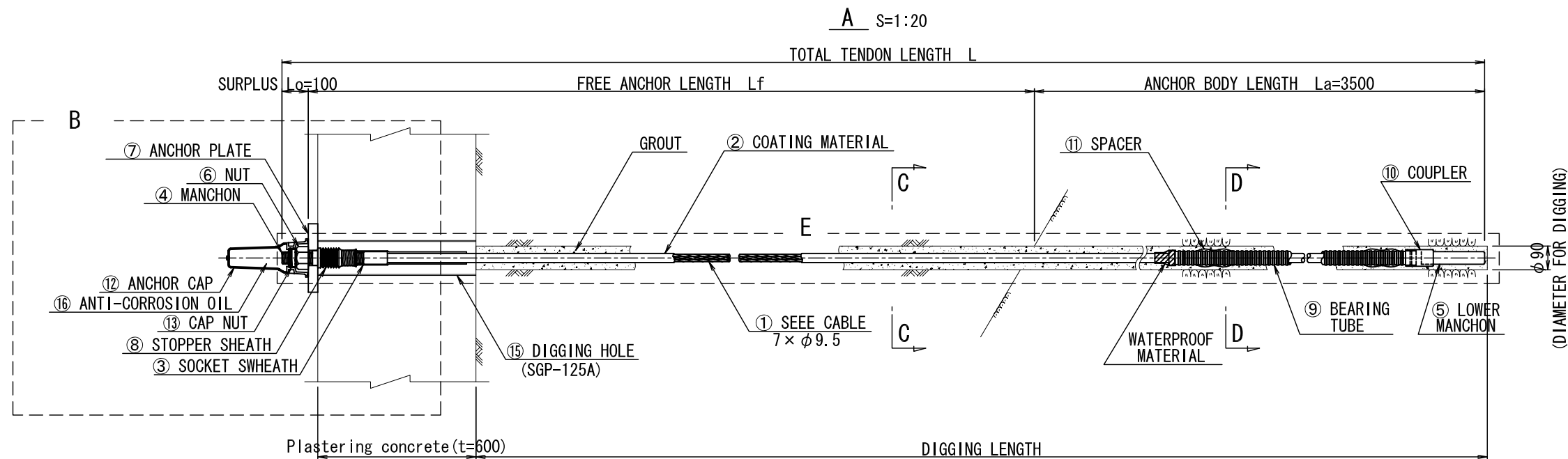
JAPAN INTERNATIONAL COOPERATION AGENCY
 NIPPON KOEI CO., LTD. (NK)

04		DESIGNED BY	
03		DRAWN BY	
02		ASSISTED BY	
01		RECOMMENDED BY	
REV.	DATE	APPROVED BY	

THE PREPARATORY SURVEY
 ON THE PROJECT
 FOR COUNTERMEASURE CONSTRUCTION
 FOR THE LANDSLIDES
 ON SINDHULI ROAD (SECTION II)

DATE	DWG.NO.	1:1000
MARCH 2011	26	

STANDARD DRAWING ANCHOR WORKS (F-70UA)



BILL OF MATERIAL TABLE ANCHOR (PER ONE)

ITEM	SPECIFICATION	UNIT	QUANTITY	REMARKS
① SEE CABLE (RUSH-PROOF OIL FILLED)	F70UA (7 x phi 9.5)	set	1	
④ MANCHON	phi 48.0, L=400	number	1	
⑤ LOWER MANCHON	phi 48.0, L=240	number	1	
⑥ NUT	L=75.0, H=45	pieces	1	
⑦ ANCHOR PLATE	PL-260 x 36 x 58	sheet	1	
⑧ STOPPER SHEATH	phi 75, L=165	pieces	1	
⑨ BEARING TUBE	phi 54.0, L=2100	set	1	
⑩ COUPLER	phi 63, L=105	pieces	1	
⑪ SPACER	phi 66, L=146	pieces	2	
⑫ ANCHOR CAP	phi 145, L=305	pieces	1	
⑭ GROUT PIPE	FLAT 10~27	m		
⑮ DIGGING HOLE	SGP-125A	m		
⑯ ANTI-CORROSION OIL		kg	0.96	

THE DEPARTMENT OF ROADS
MINISTRY OF PHYSICAL PLANNING
AND WORKS
NEPAL

JAPAN INTERNATIONAL COOPERATION AGENCY
JICA NIPPON KOEI CO., LTD. (NK)

04	
03	
02	
01	
REV.	DATE

DESIGNED BY	
DRAWN BY	
ASSISTED BY	
RECOMMENDED BY	
APPROVED BY	

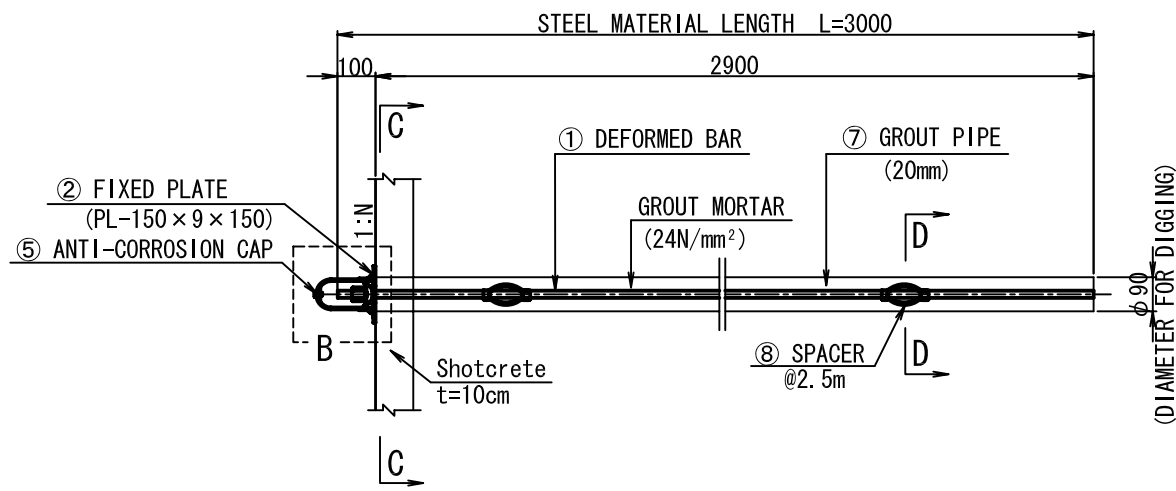
THE PREPARATORY SURVEY
ON THE PROJECT
FOR COUNTERMEASURE CONSTRUCTION
FOR THE LANDSLIDES
ON SINDHULI ROAD (SECTION II)

DATE	DWG.NO.
MARCH 2011	27

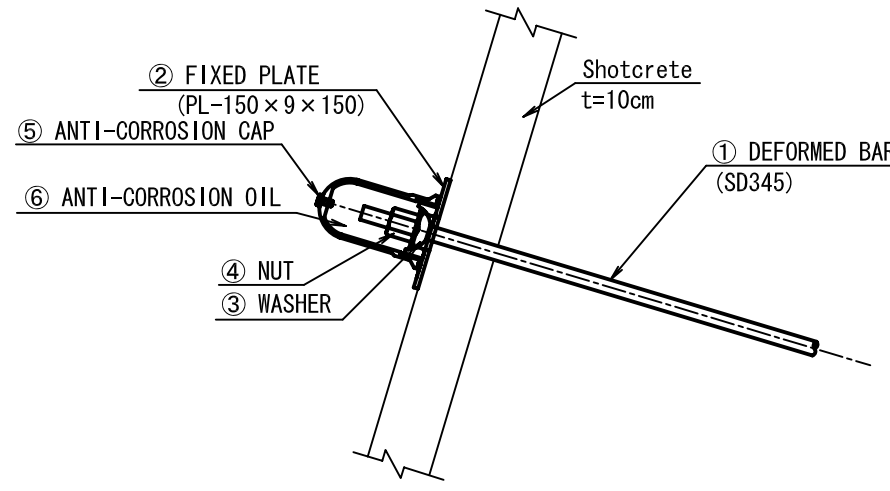
SCALE

ROCK BOLT (1)

A DEFORMED BAR (D19) S=1:20



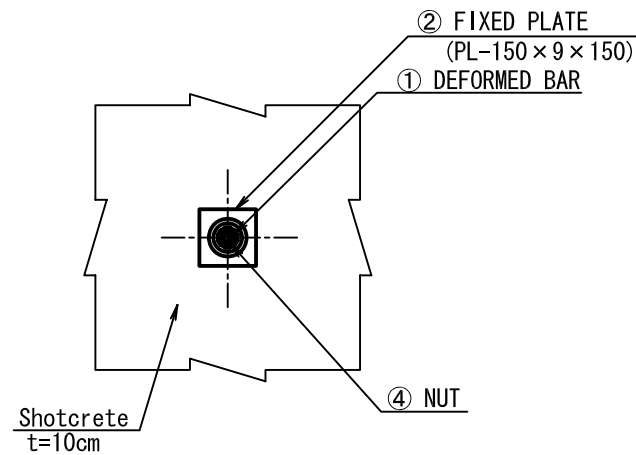
B ATTACHMENTS S=1:10



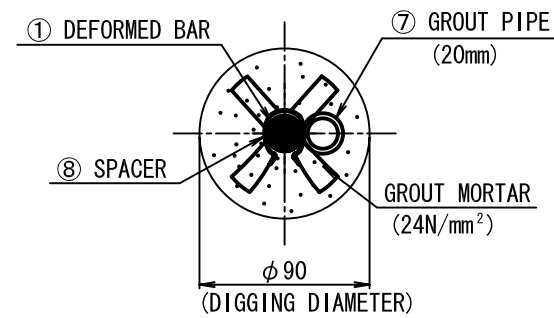
B ATTACHMENTS (PER ONE)

ITEM	SPECIFICATION	UNIT	QUANTITY	REMARKS
① DEFORMED BAR	D19 , SD345	mm	3000	
② FIXED PLATE	PL-150 × 9 × 150	sheet	1	
③ WASHER	φ 76 , H=25	piece	1	
④ NUT	H=40 , D19	piece	1	
⑤ ANTI-CORROSION CAP	H=100	piece	1	
⑥ ANTI-CORROSION OIL		kg	0.38	
⑦ GROUT PIPE	20mm	mm	3000	
⑧ SPACER	φ 65 , L=127	piece	2	

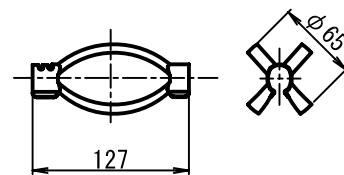
C-C S=1:20



D-D S=1:4

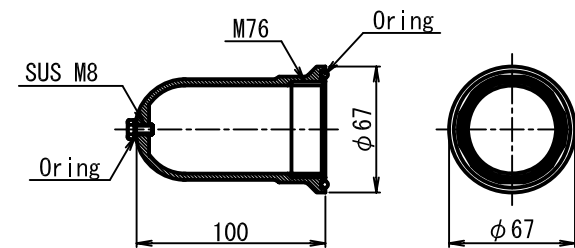


⑧ SPACER S=1:6

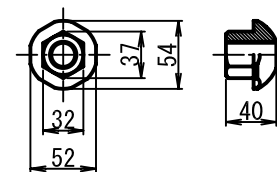


C DETAIL ATTACHMENT

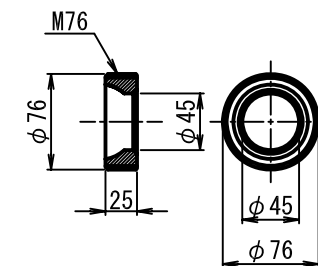
⑤ ANTI-CORROSION CAP S=1:4



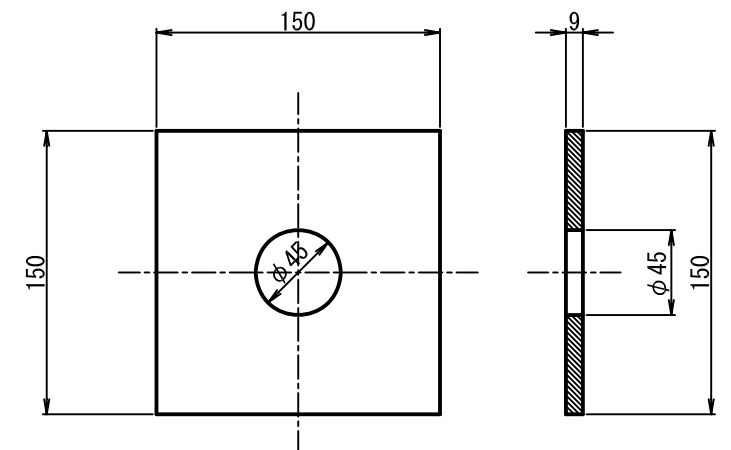
④ NUT S=1:6



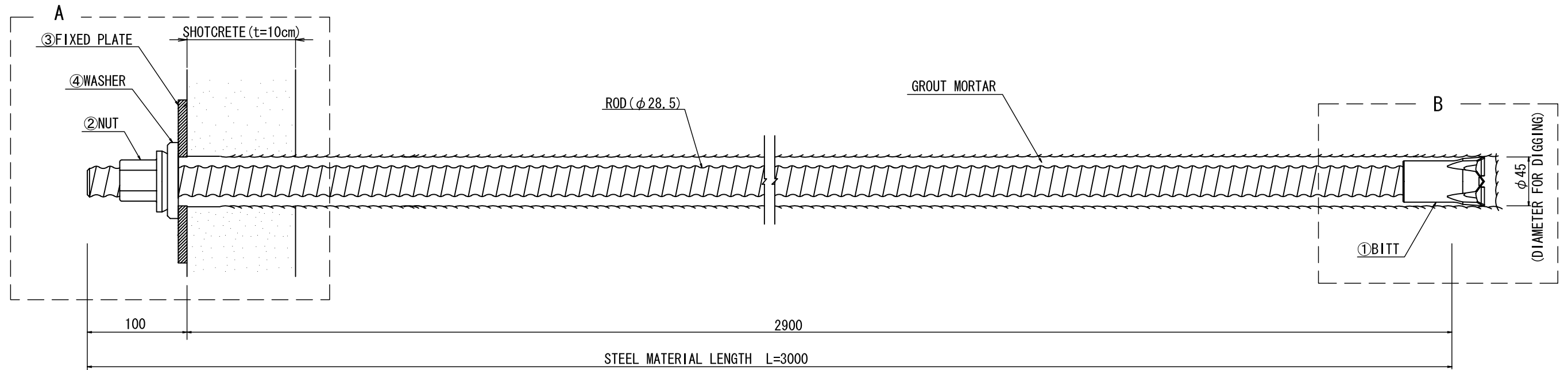
③ WASHER S=1:6



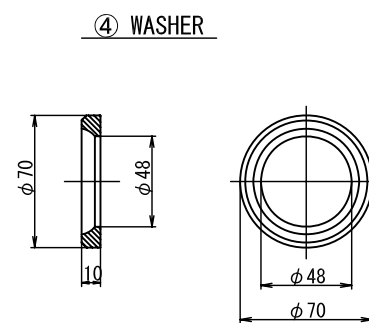
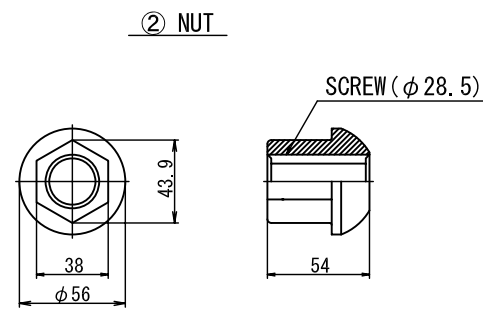
② FIXED PLATE S=1:4



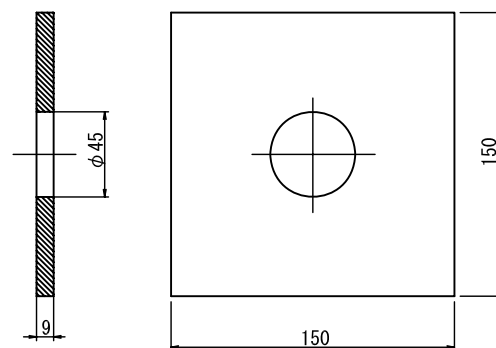
ROCK BOLT (2)



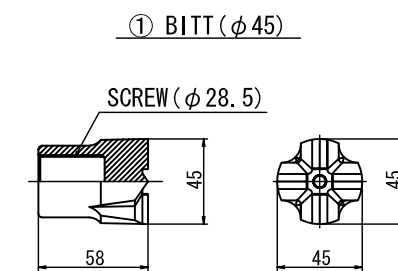
A ATTACHMENTS



③ FIXED PLATE



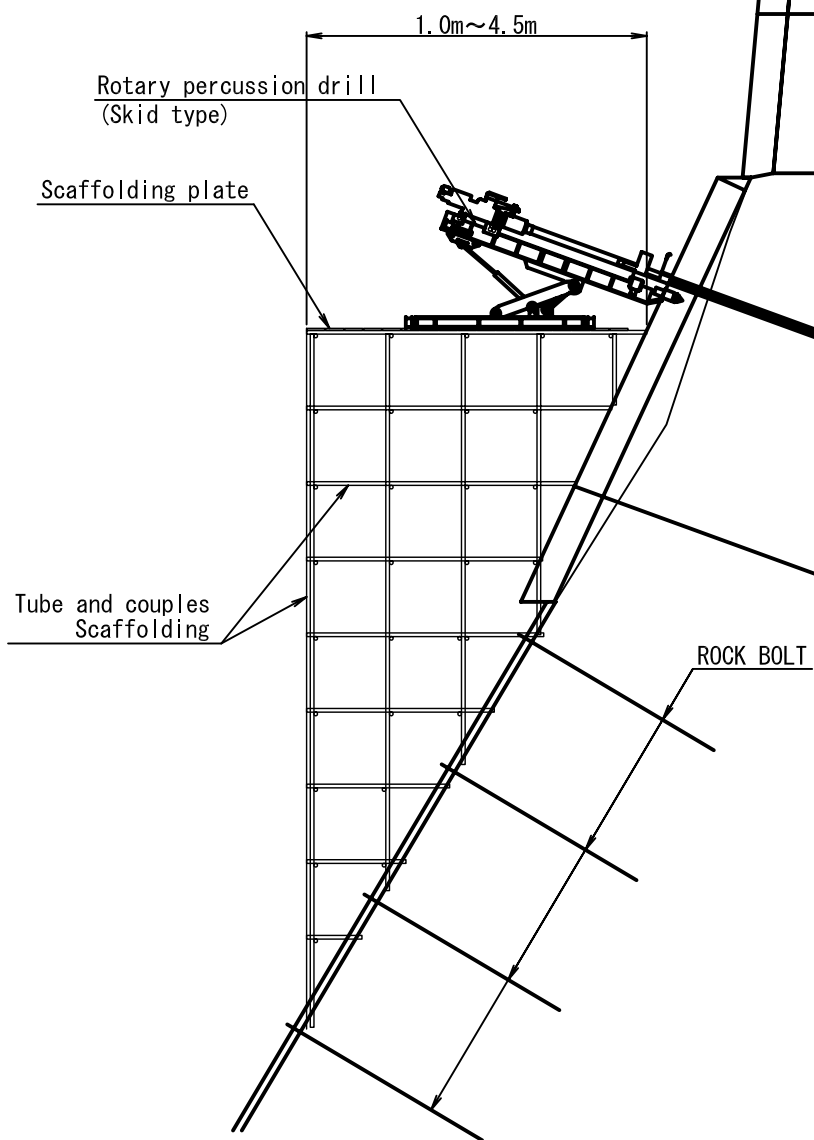
B ATTACHMENT



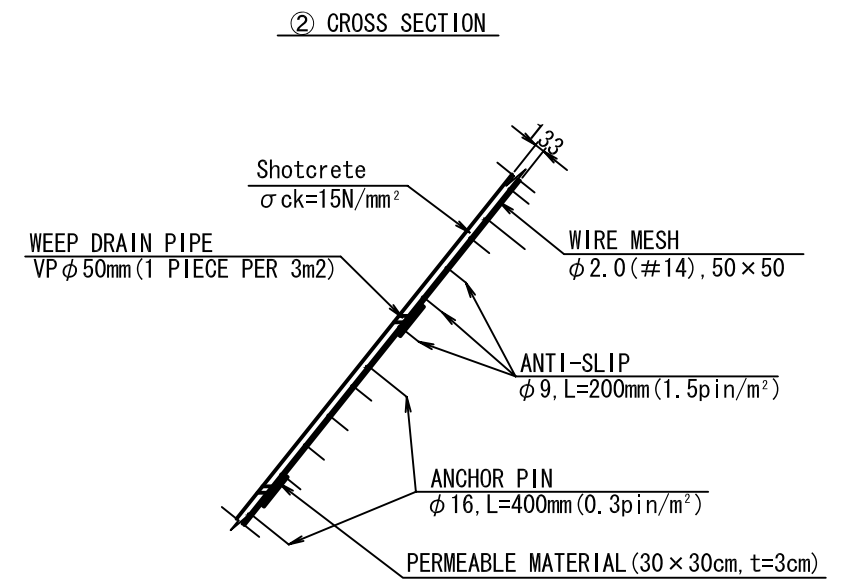
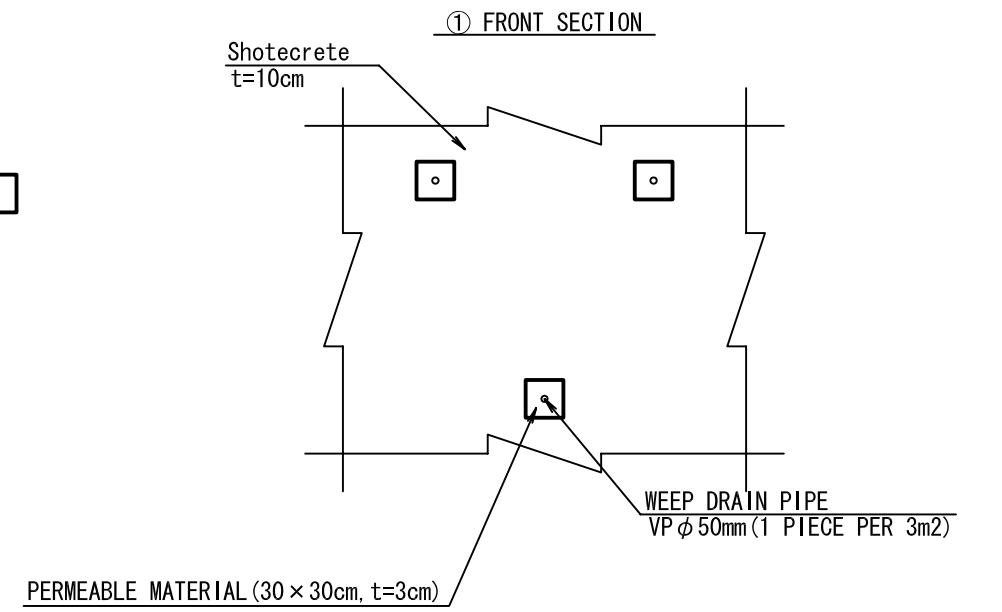
04		DESIGNED BY	
03		DRAWN BY	
02		ASSISTED BY	
01		RECOMMENDED BY	
REV.	DATE	APPROVED BY	

SLOPE WORKS

A SCAFFOLDING



B SHOTCRETE S=1:60



THE DEPARTMENT OF ROADS
MINISTRY OF PHYSICAL PLANNING
AND WORKS
NEPAL

JAPAN INTERNATIONAL COOPERATION AGENCY
JICA NIPPON KOEI CO., LTD. (NK)

04		DESIGNED BY	
03		DRAWN BY	
02		ASSISTED BY	
01		RECOMMENDED BY	
REV.	DATE	APPROVED BY	

THE PREPARATORY SURVEY
ON THE PROJECT
FOR COUNTERMEASURE CONSTRUCTION
FOR THE LANDSLIDES
ON SINDHULI ROAD (SECTION II)

DATE
MARCH 2011

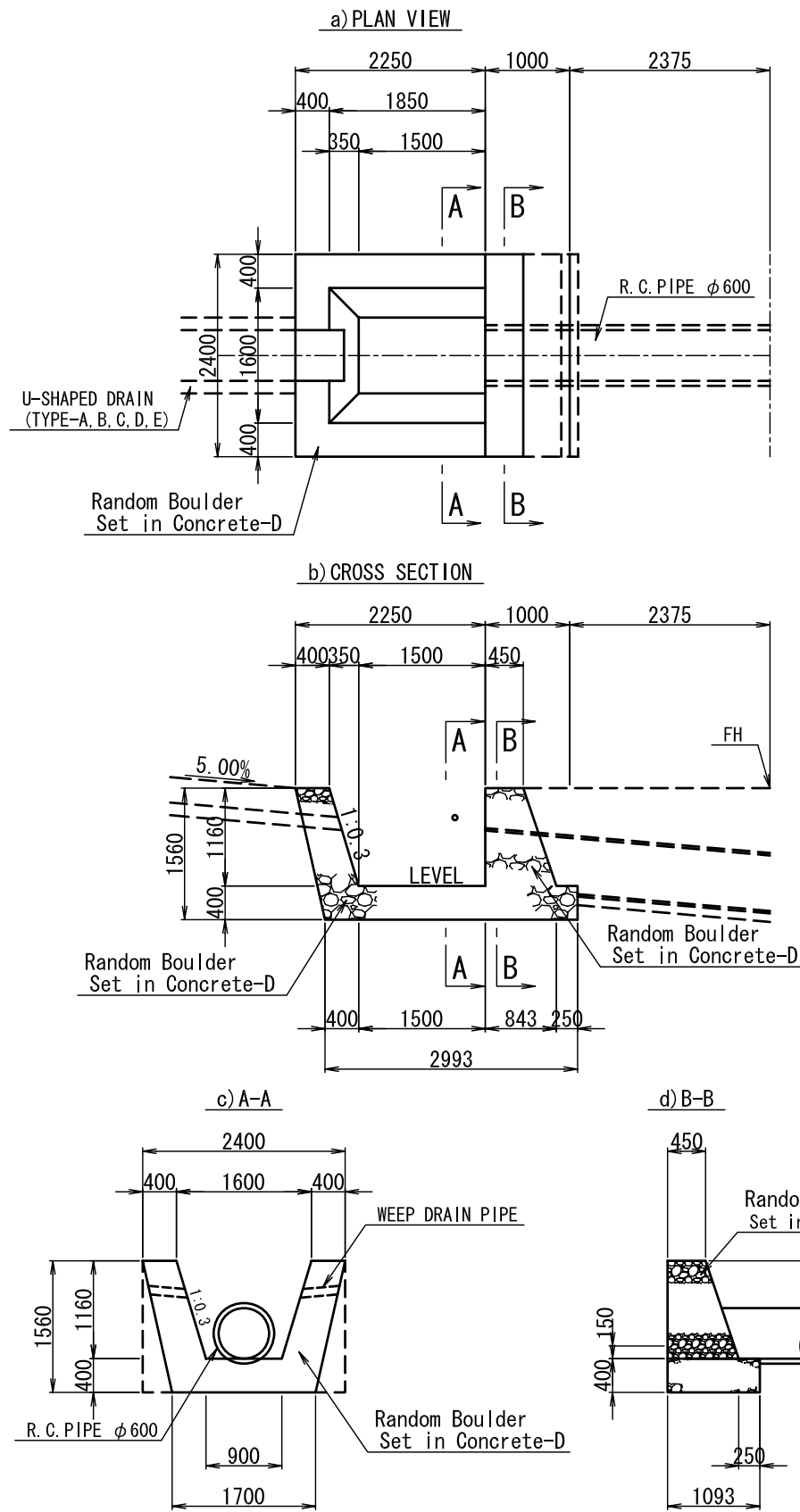
DWG.NO.

30

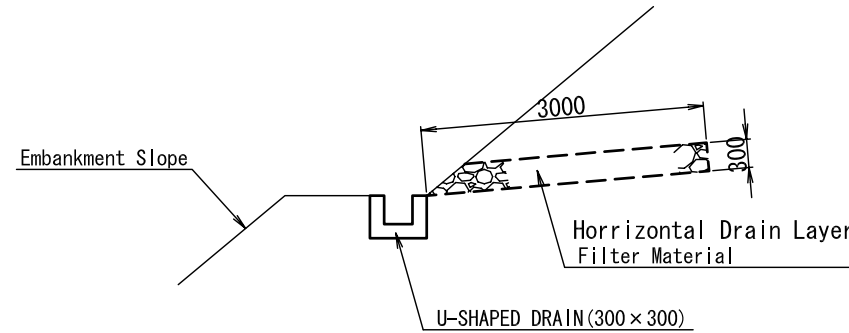
SCALE

DRAINAGE STRUCTURES

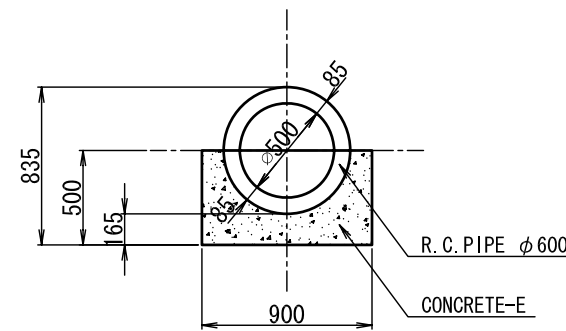
(1) CATCH BASIN TYPE-(CB-1) S=1:80
(for $\phi 600 \times 1$)



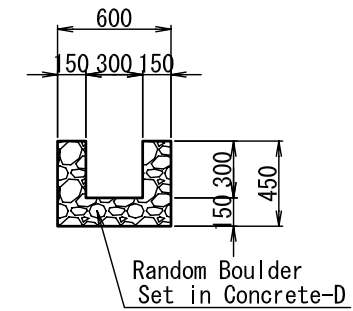
(2) FRANCH DRAIN (FD-D) S=1:80



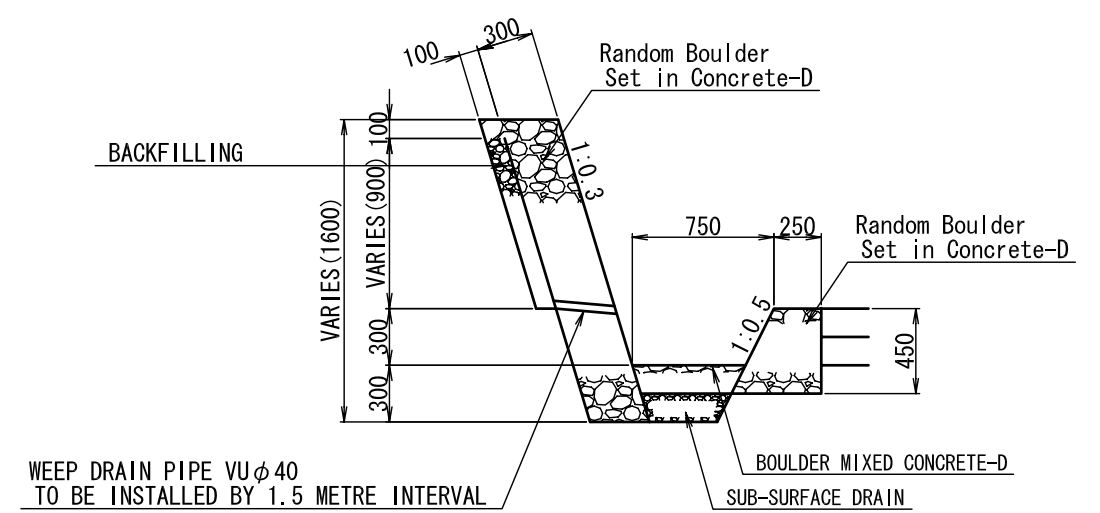
(4) PIPE CULVERT ($\phi 600$) (CON, 180°) S=1:40



(3) U-SHAPED DRAIN (300 x 300) (UD-A) S=1:40



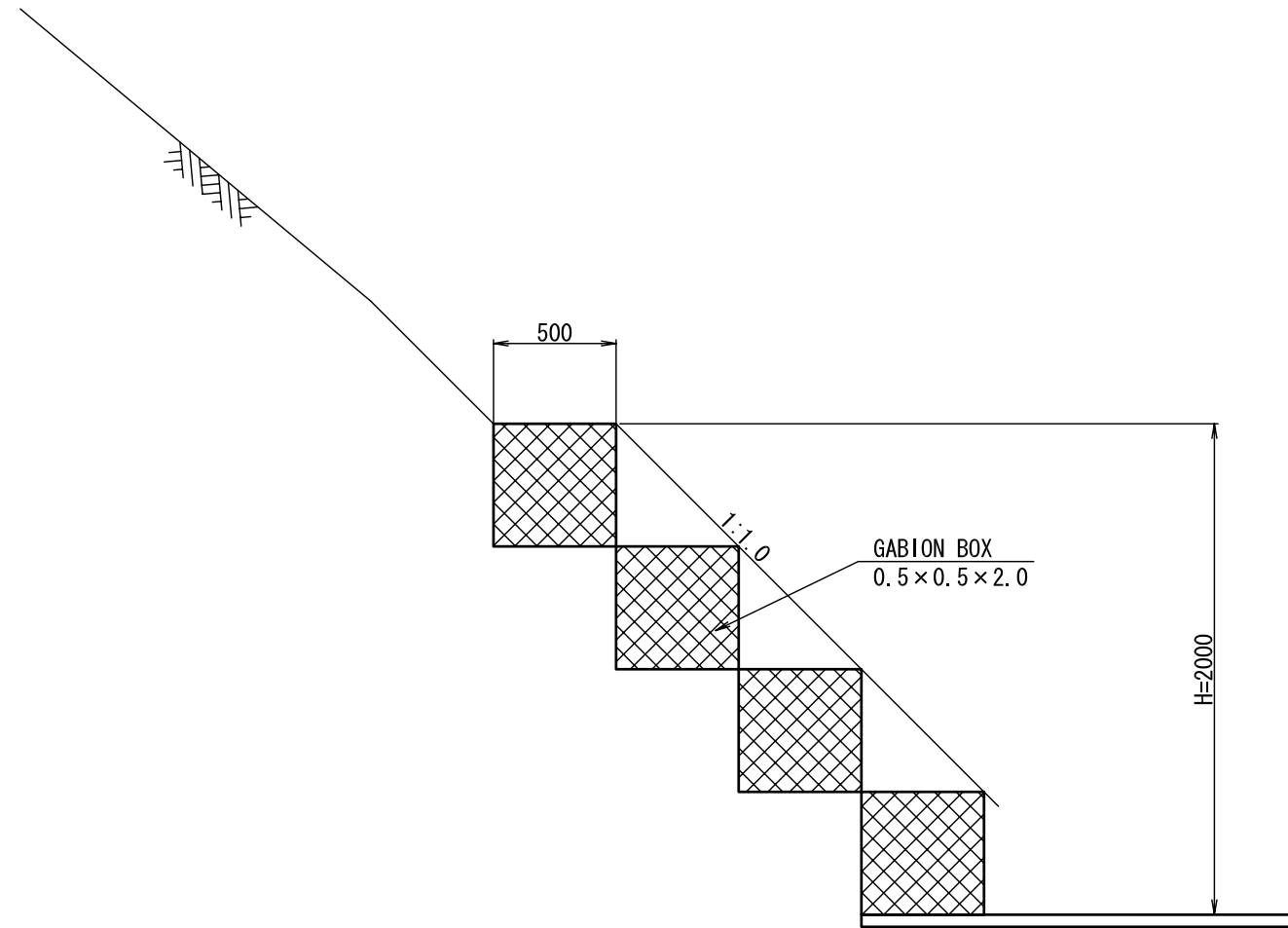
(5) SIDE DITCH-B (SD-B) S=1:40



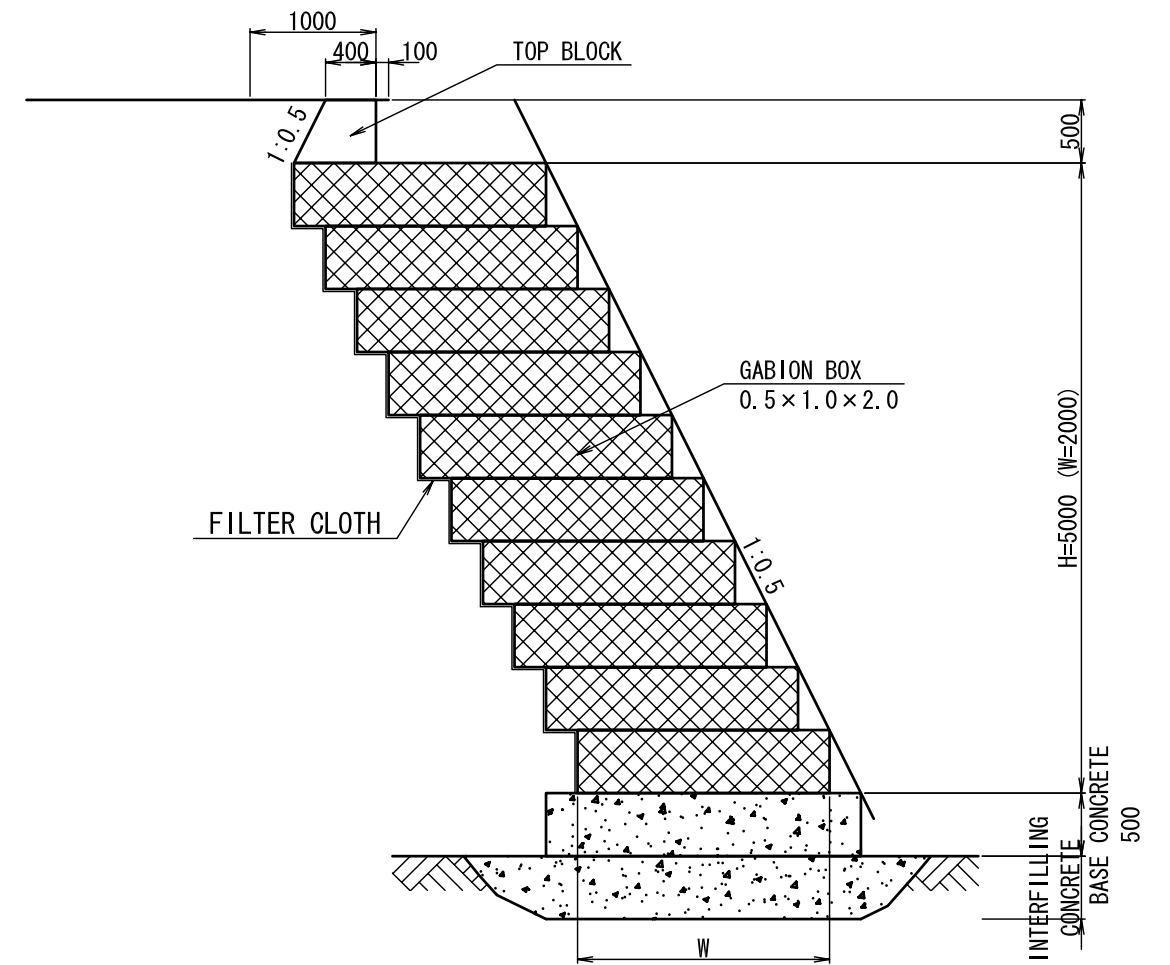
04		DESIGNED BY	
03		DRAWN BY	
02		ASSISTED BY	
01		RECOMMENDED BY	
REV.	DATE	APPROVED BY	

GABION WALL

(1) GABION WALL S=1:30
(STA17+600 SLOPE)



(2) GABION WALL S=1:60
(CHECK DAM)



THE DEPARTMENT OF ROADS
MINISTRY OF PHYSICAL PLANNING
AND WORKS
NEPAL

JAPAN INTERNATIONAL COOPERATION AGENCY
JICA NIPPON KOEI CO., LTD. (NK)

04		DESIGNED BY	
03		DRAWN BY	
02		ASSISTED BY	
01		RECOMMENDED BY	
REV.	DATE	APPROVED BY	

THE PREPARATORY SURVEY
ON THE PROJECT
FOR COUNTERMEASURE CONSTRUCTION
FOR THE LANDSLIDES
ON SINDHULI ROAD (SECTION II)

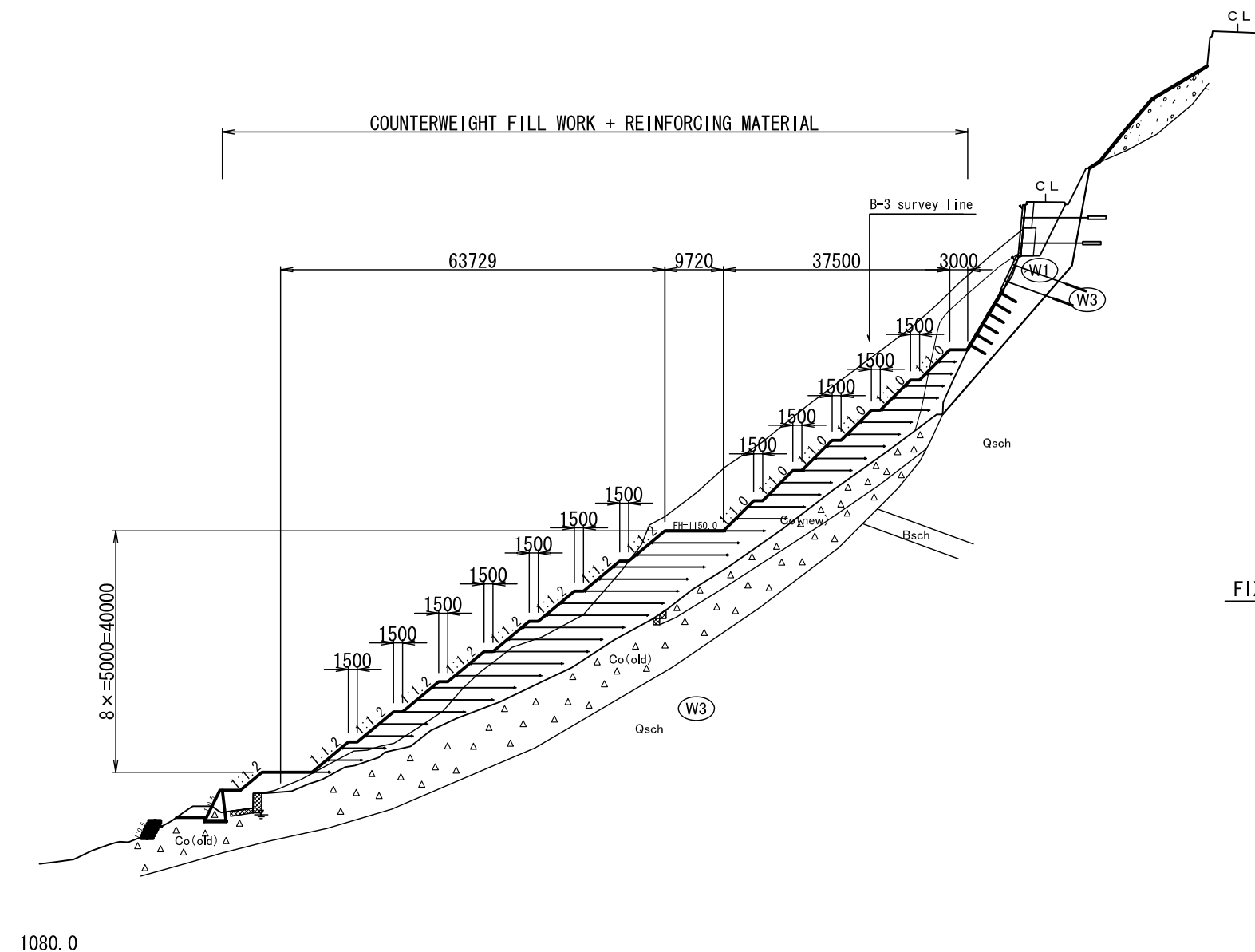
DATE
MARCH 2011

DWG.NO.

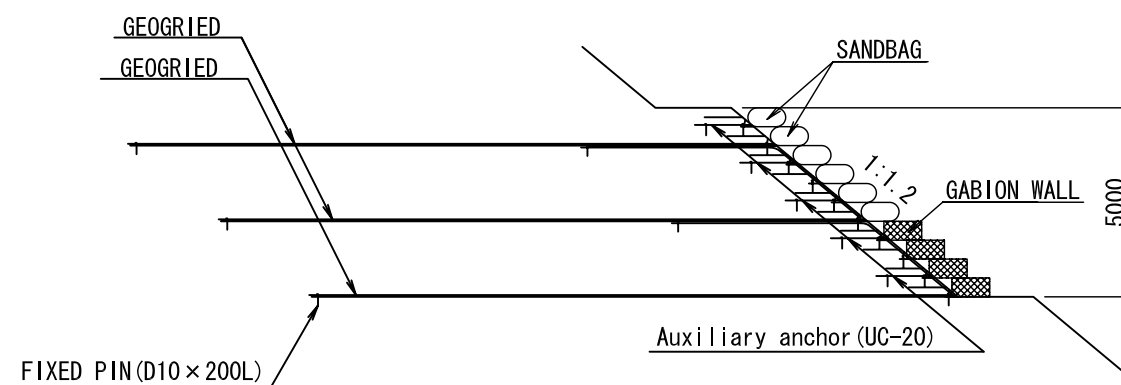
SCALE

REINFORCEMENT BANK

SECTION S=1:1000



DETAILS S=1:200



THE DEPARTMENT OF ROADS
MINISTRY OF PHYSICAL PLANNING
AND WORKS
NEPAL

JAPAN INTERNATIONAL COOPERATION AGENCY
JICA NIPPON KOEI CO., LTD. (NK)

04		DESIGNED BY	
03		DRAWN BY	
02		ASSISTED BY	
01		RECOMMENDED BY	
REV.	DATE	APPROVED BY	

THE PREPARATORY SURVEY
ON THE PROJECT
FOR COUNTERMEASURE CONSTRUCTION
FOR THE LANDSLIDES
ON SINDHULI ROAD (SECTION II)

DATE
MARCH 2011

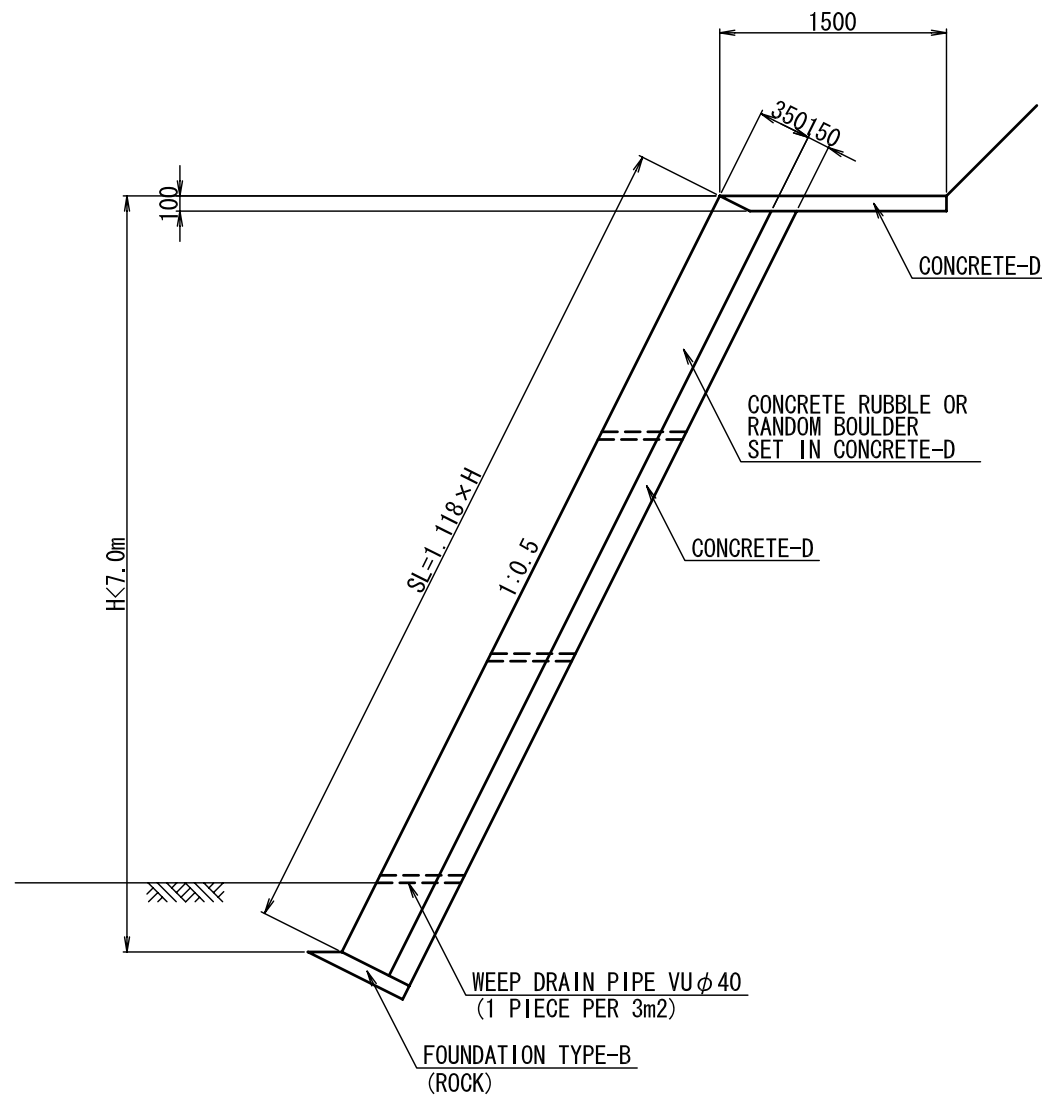
DWG.NO.

SCALE

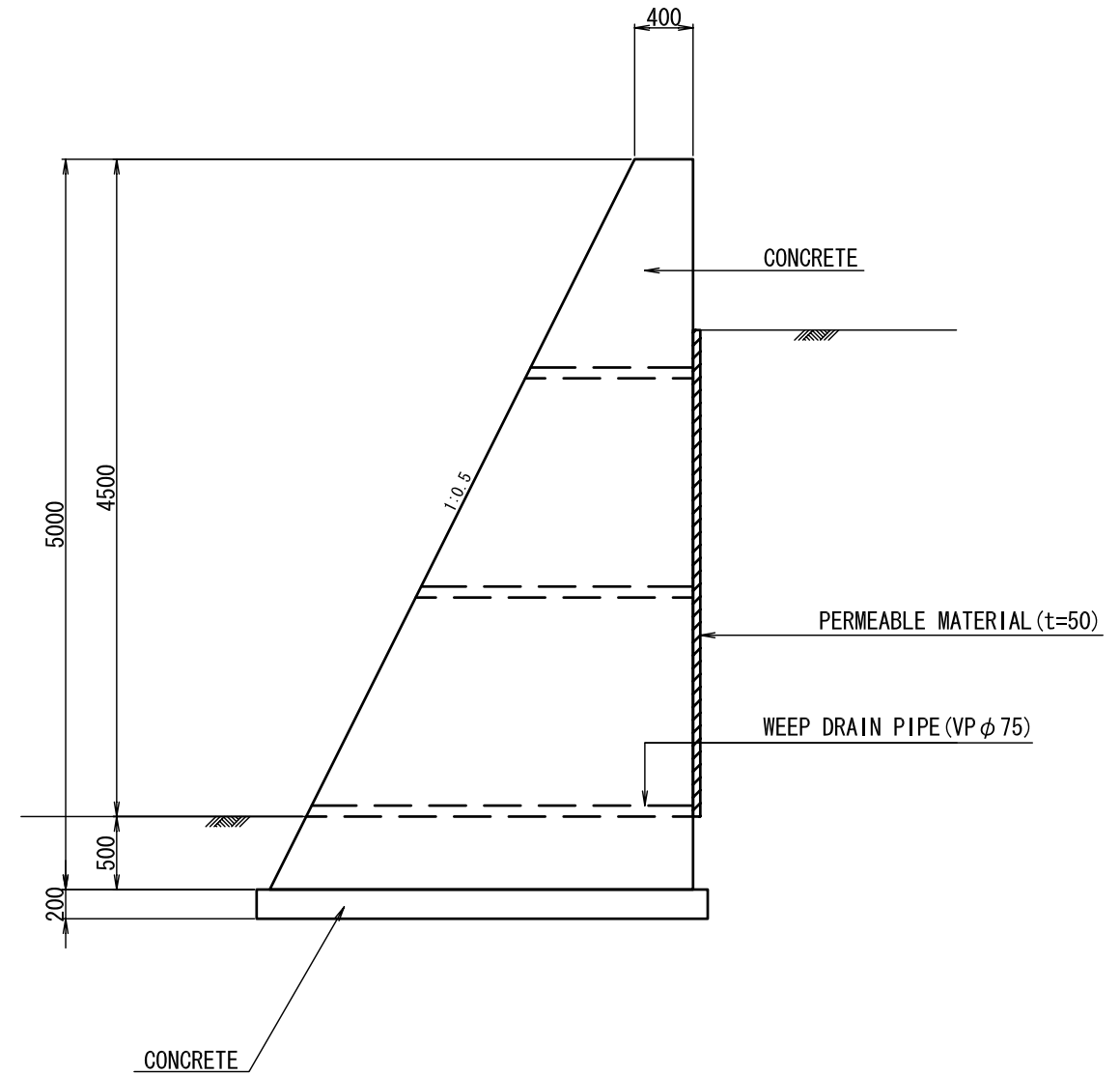
33

RETAINING WALLS

(1) MASONRY RETAINING WALL



(2) GRAVITY-TYPE RETAINING WALL



THE DEPARTMENT OF ROADS
MINISTRY OF PHYSICAL PLANNING
AND WORKS
NEPAL

JAPAN INTERNATIONAL COOPERATION AGENCY
JICA NIPPON KOEI CO., LTD. (NK)

04		DESIGNED BY	
03		DRAWN BY	
02		ASSISTED BY	
01		RECOMMENDED BY	
REV.	DATE	APPROVED BY	

THE PREPARATORY SURVEY
ON THE PROJECT
FOR COUNTERMEASURE CONSTRUCTION
FOR THE LANDSLIDES
ON SINDHULI ROAD (SECTION II)

DATE
MARCH 2011

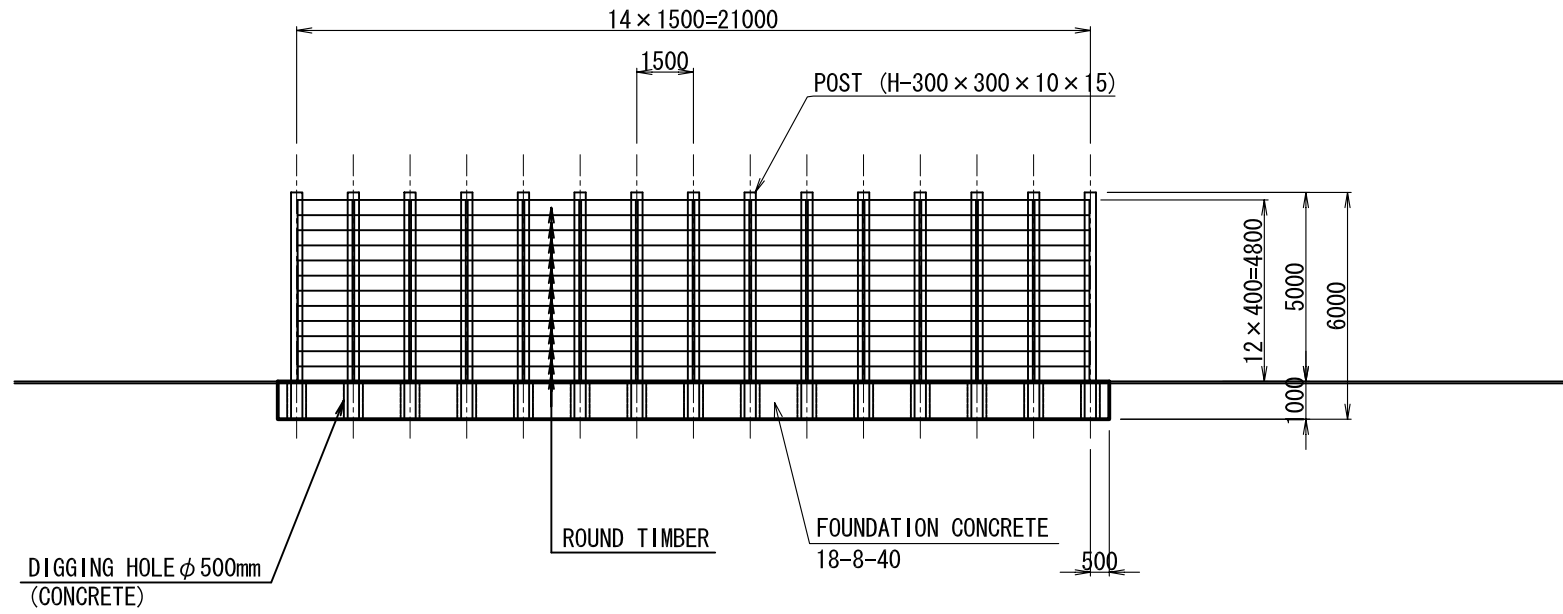
DWG.NO.

34

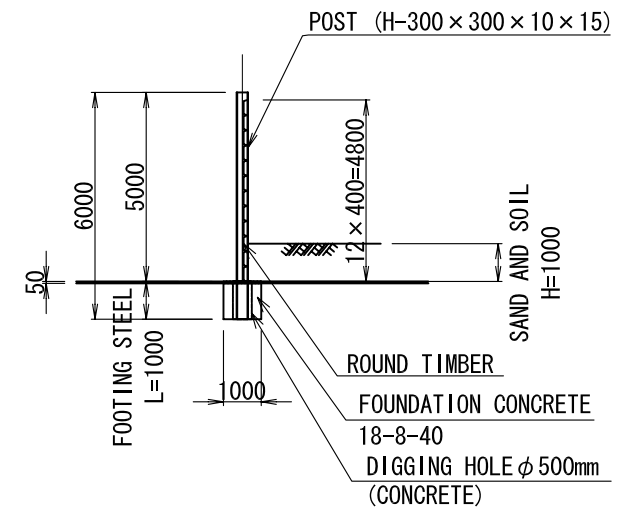
1:500

TENTATIVE PROTECTION FENCE

(1) ELEVATION VIEW

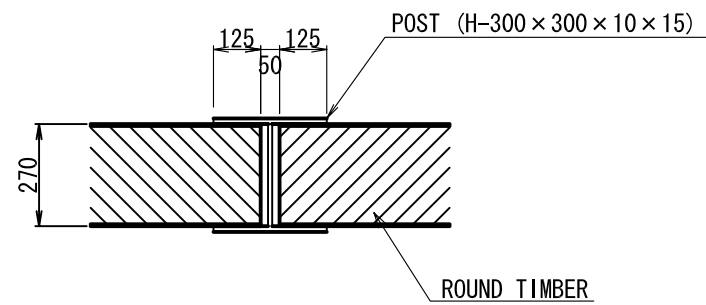


(3) CROSS SECTION



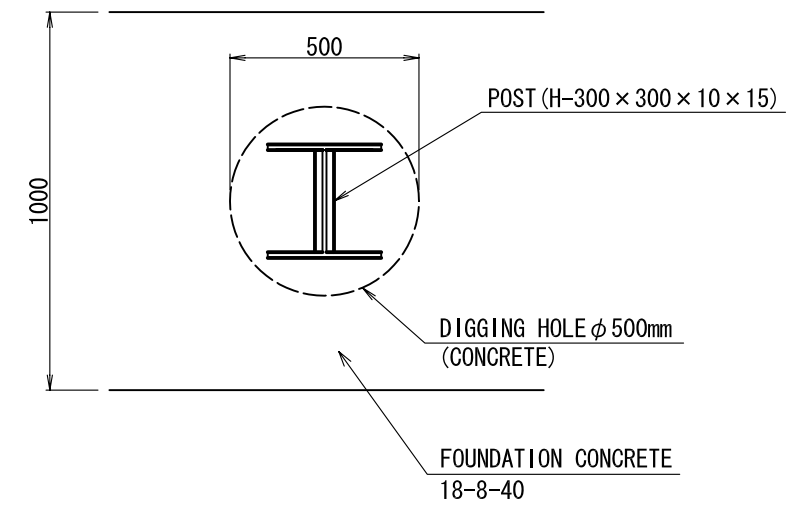
(2) DETAIL OF JOINT S=1:20

PLANE VIEW



(4) DETAIL OF FOUNDATION S=1:20

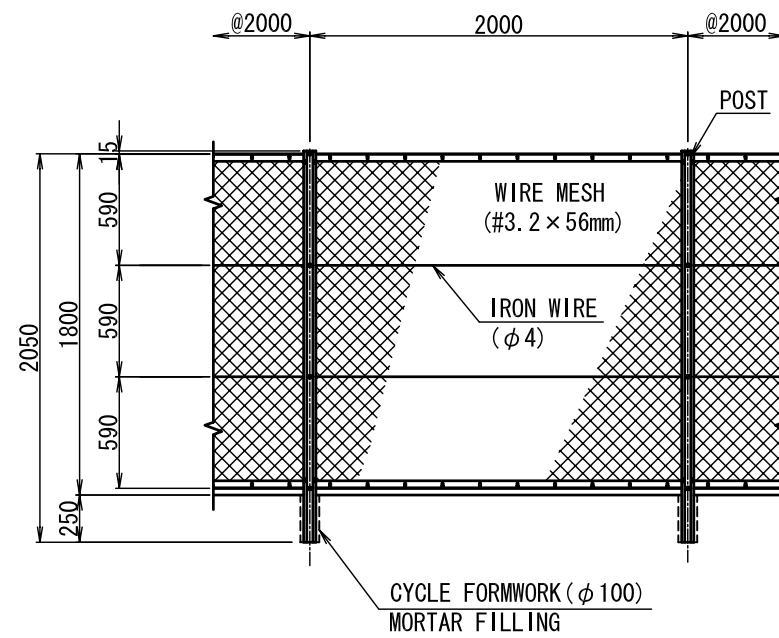
PLANE VIEW



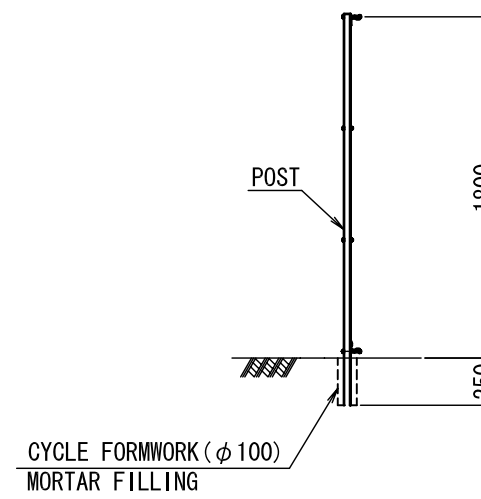
04		DESIGNED BY	
03		DRAWN BY	
02		ASSISTED BY	
01		RECOMMENDED BY	
REV.	DATE	APPROVED BY	

GUARD FENCE

(1) FRONT SECTION



(2) CROSS SECTION



THE DEPARTMENT OF ROADS
MINISTRY OF PHYSICAL PLANNING
AND WORKS
NEPAL

JAPAN INTERNATIONAL COOPERATION AGENCY
JICA NIPPON KOEI CO., LTD. (NK)

04		DESIGNED BY	
03		DRAWN BY	
02		ASSISTED BY	
01		RECOMMENDED BY	
REV.	DATE	APPROVED BY	

THE PREPARATORY SURVEY
ON THE PROJECT
FOR COUNTERMEASURE CONSTRUCTION
FOR THE LANDSLIDES
ON SINDHULI ROAD (SECTION II)

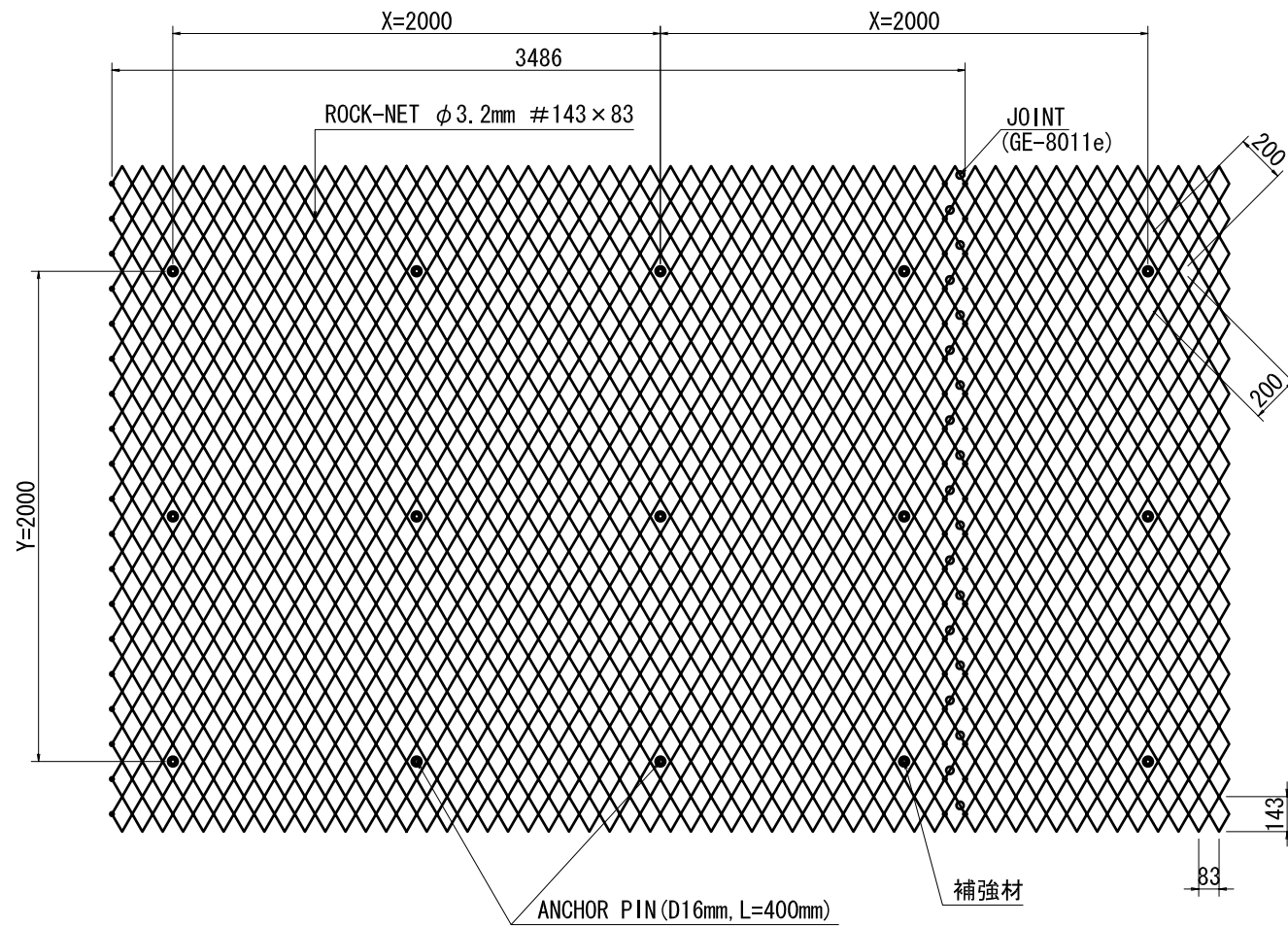
DATE
MARCH 2011

DWG.NO.
36

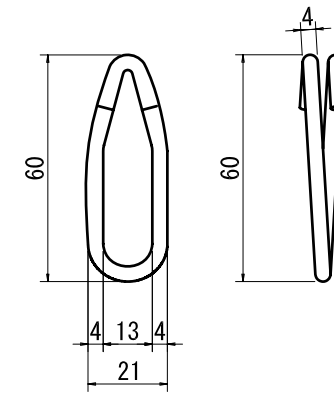
1:40

ROCK-NET

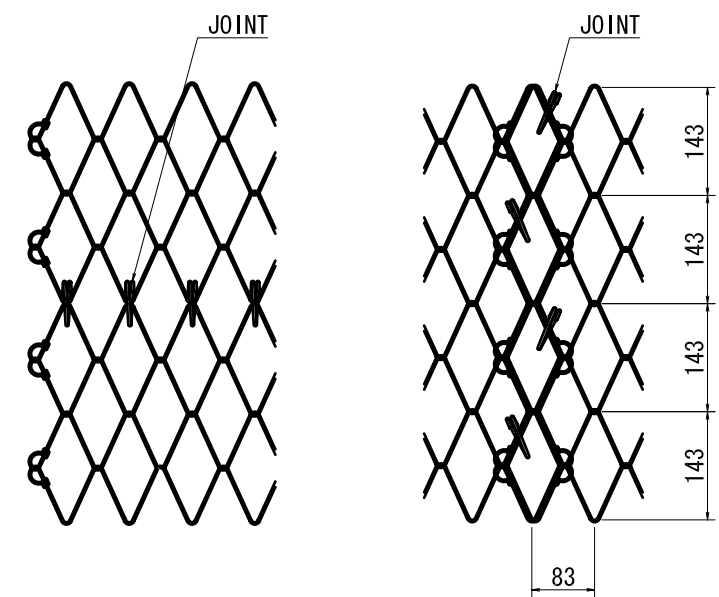
(1) ROCK-NET S=1:30



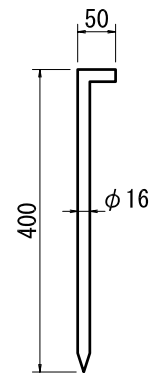
(2) JOINT PARTS S=1:2



(3) SAMPLE FOR JOINT S=1:10



(4) ANCHOR PIN S=1:10



04		DESIGNED BY	
03		DRAWN BY	
02		ASSISTED BY	
01		RECOMMENDED BY	
REV.	DATE	APPROVED BY	