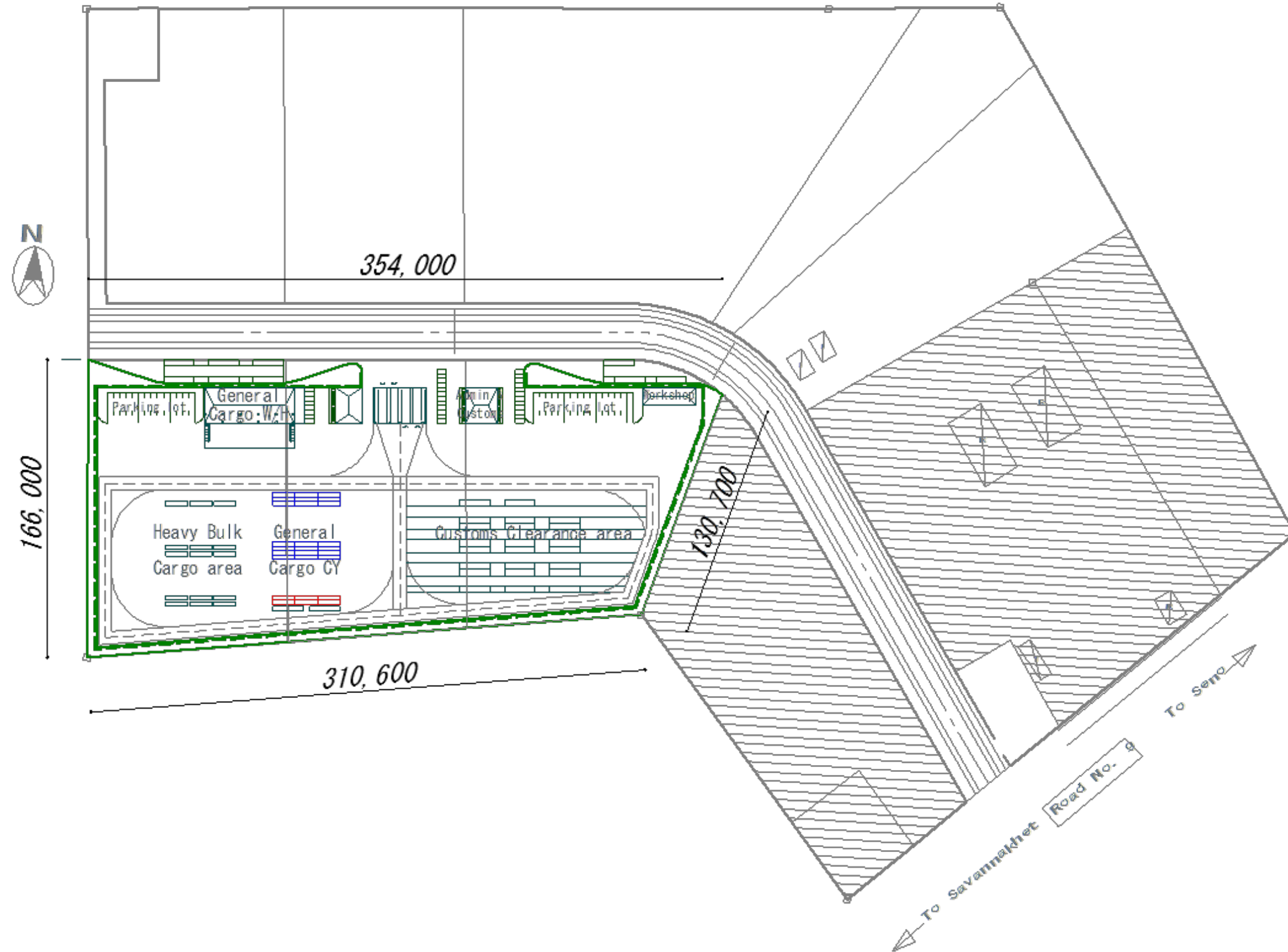
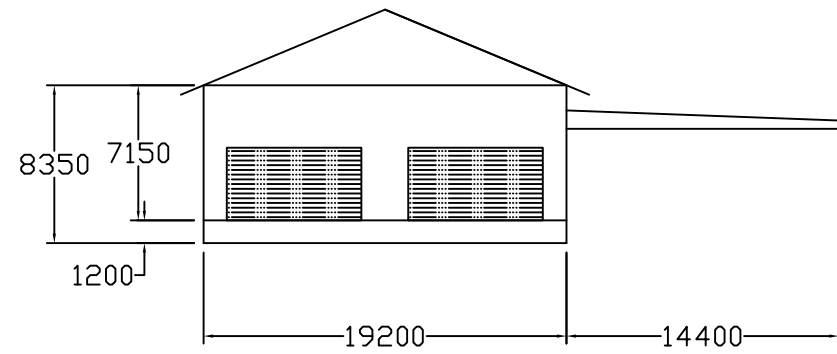


# Overall Layout (SLP)

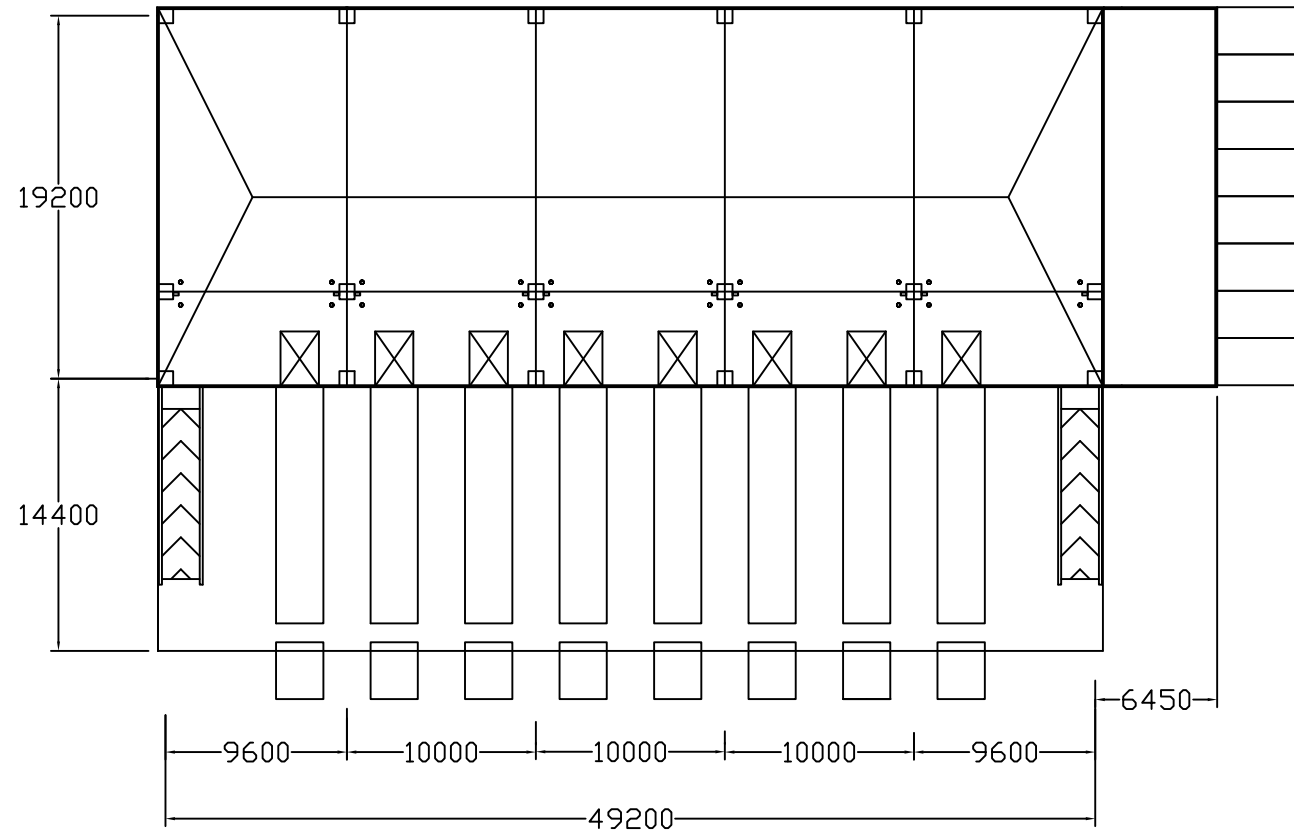


Drawing:		Engineer		Description	REV. NO.
Date	Checked	Date	Checked		

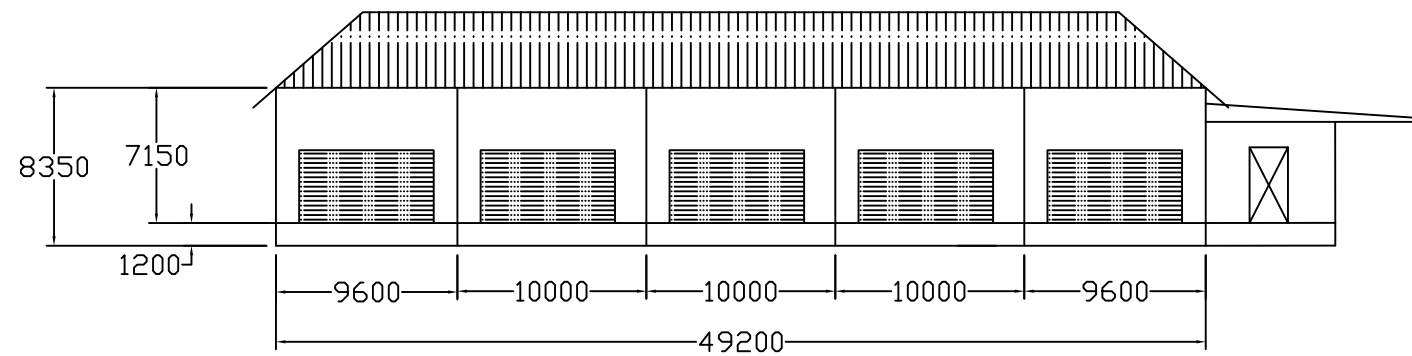
# General Cargo Warehouse/SLP



① Side View  
ECH 1: 400

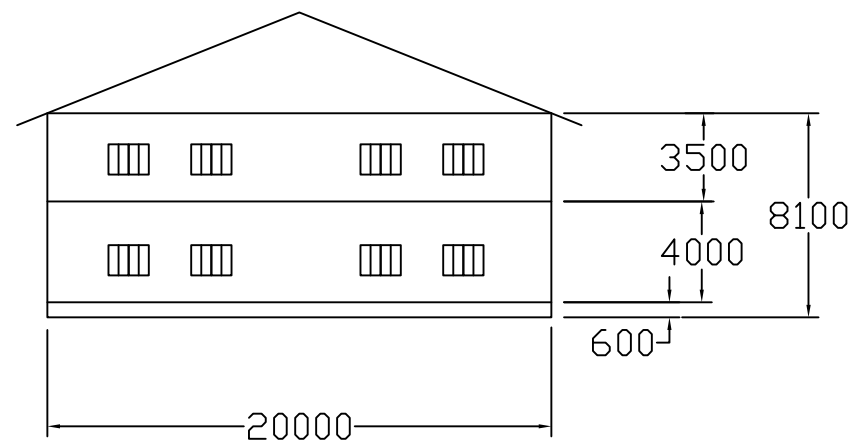


① Front View  
ECH 1: 400

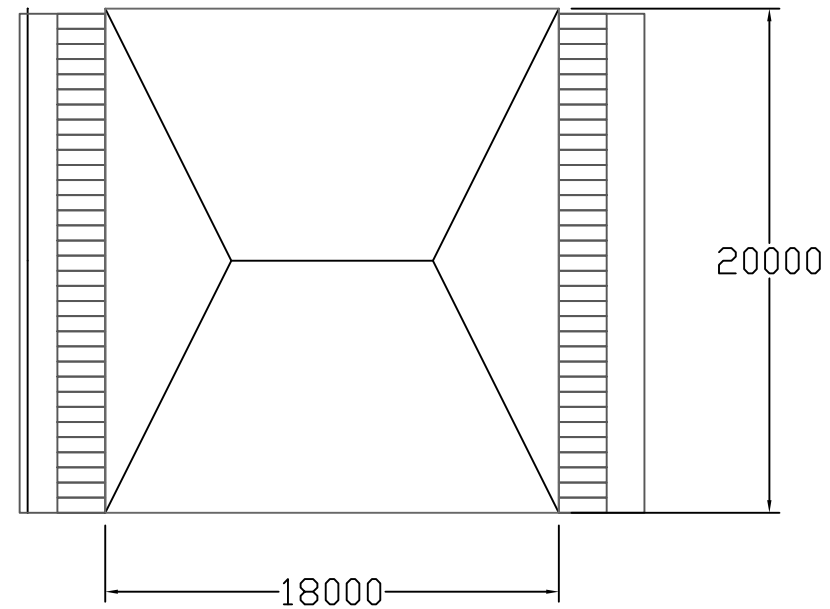


① Front View  
ECH 1: 400

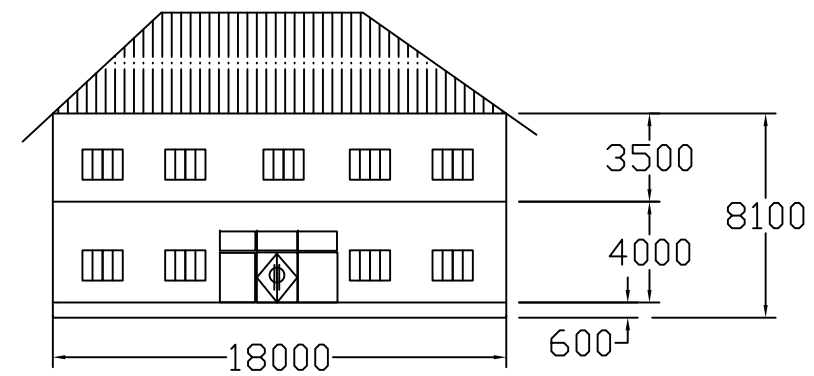
# Administration and Custom's Office/SLP



② Side View  
ECH 1: 300



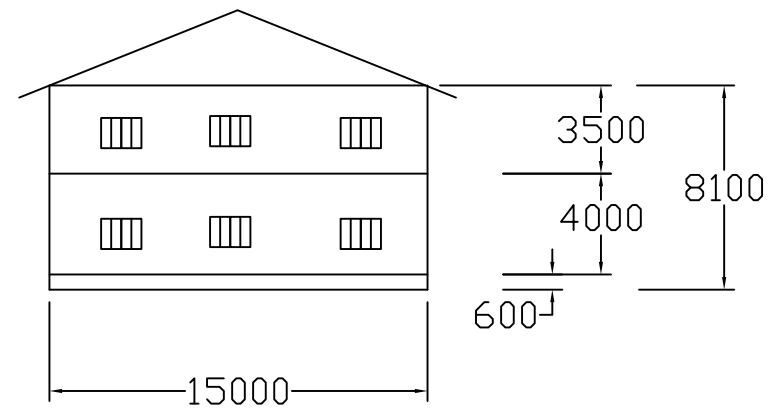
Top View  
ECH 1: 300



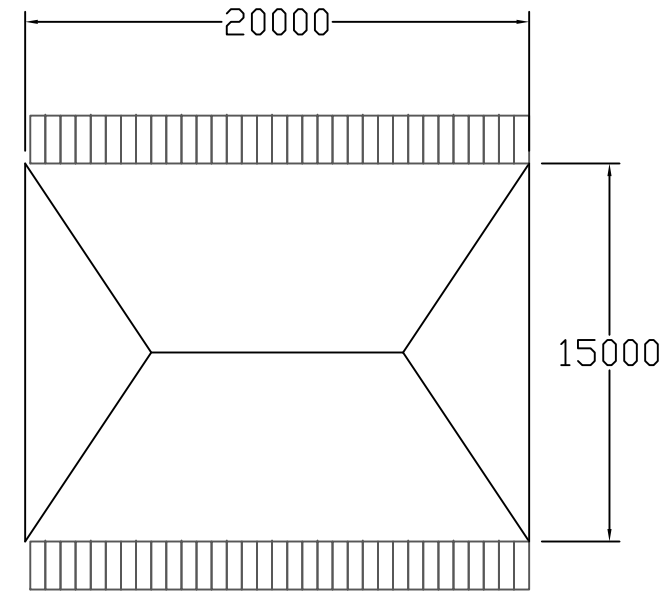
① Front View  
ECH 1: 300

Japan International Cooperation Agency (JICA)	International Development Center of Japan	Project: The Comprehensive Study on Logistics System in LAO PDR	Plan and Profile (SLP) Administration and Custom's Office	Drawing:		Engineer		Description	REV. NO.
				Date	Checked	Date	Checked		

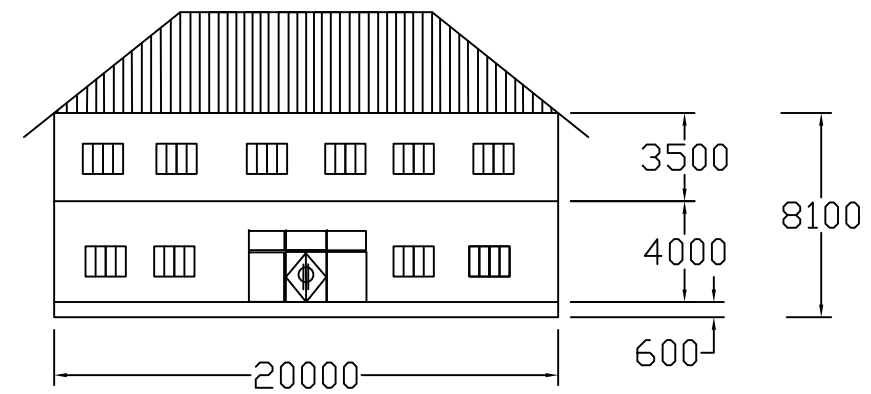
# Operator's Office/SLP



② Side View  
ECH 1: 300

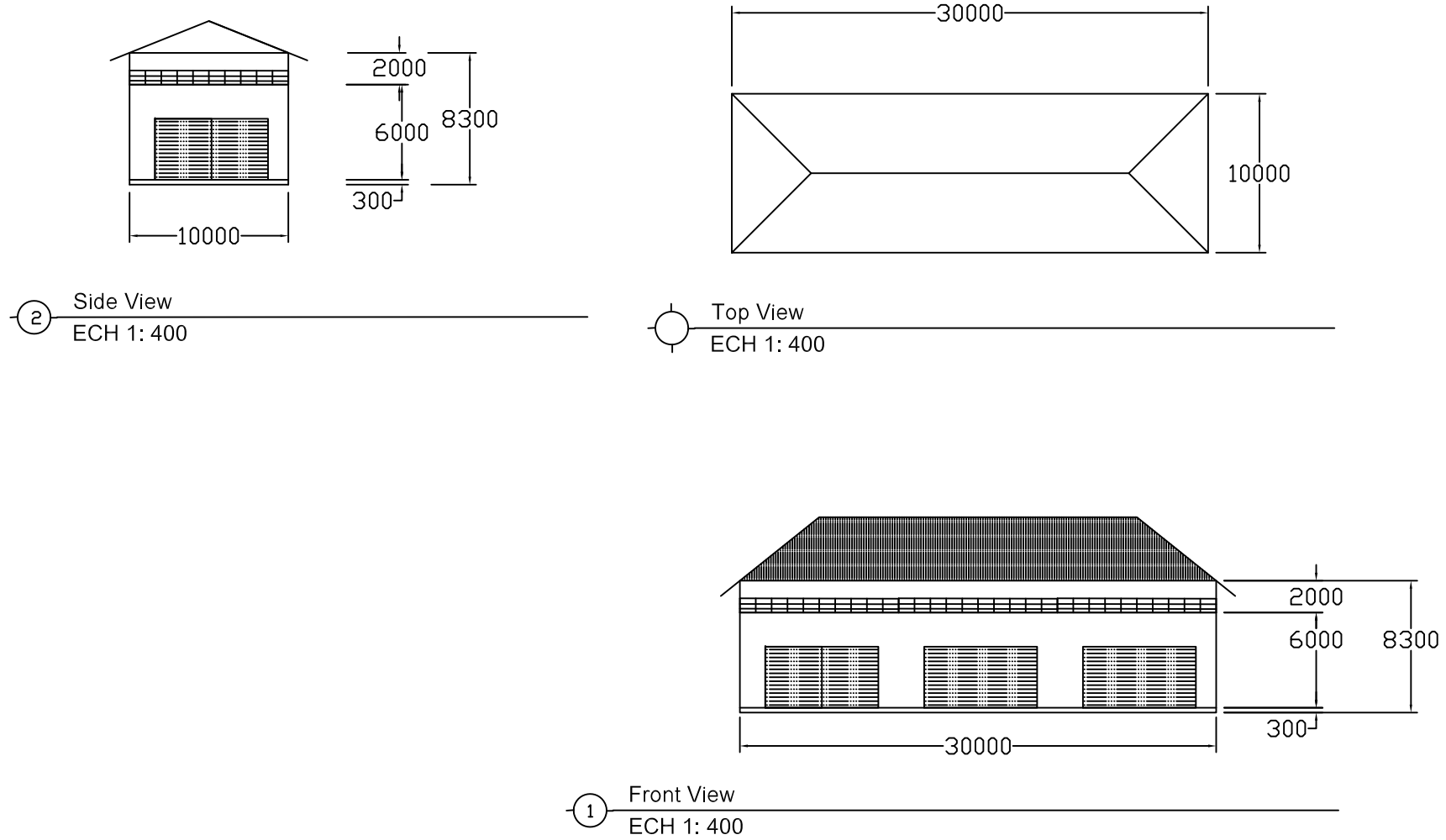


① Top View  
ECH 1: 300



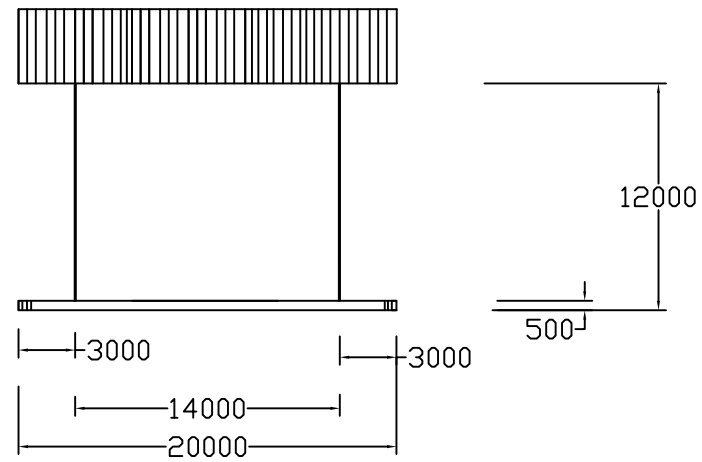
① Front View  
ECH 1: 300

# Maintenance Workshop/SLP

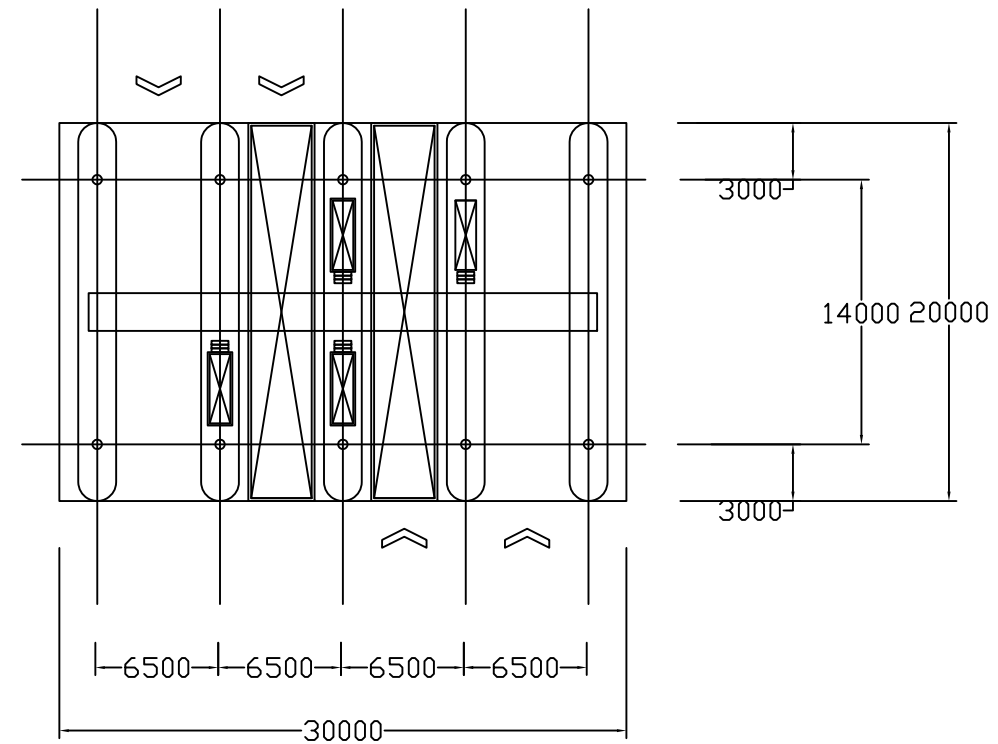


Japan International Cooperation Agency (JICA)	International Development Center of Japan	Project: The Comprehensive Study on Logistics System in LAO PDR	Plan and Profile (SLP) Maintenance Workshop	Drawing:		Engineer		Description	REV. NO.
				Date	Checked	Date	Checked		

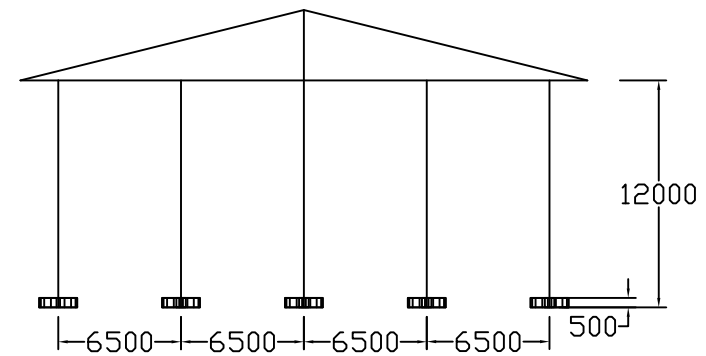
# Gate and Weight Station/SLP



② Side View  
ECH 1: 400

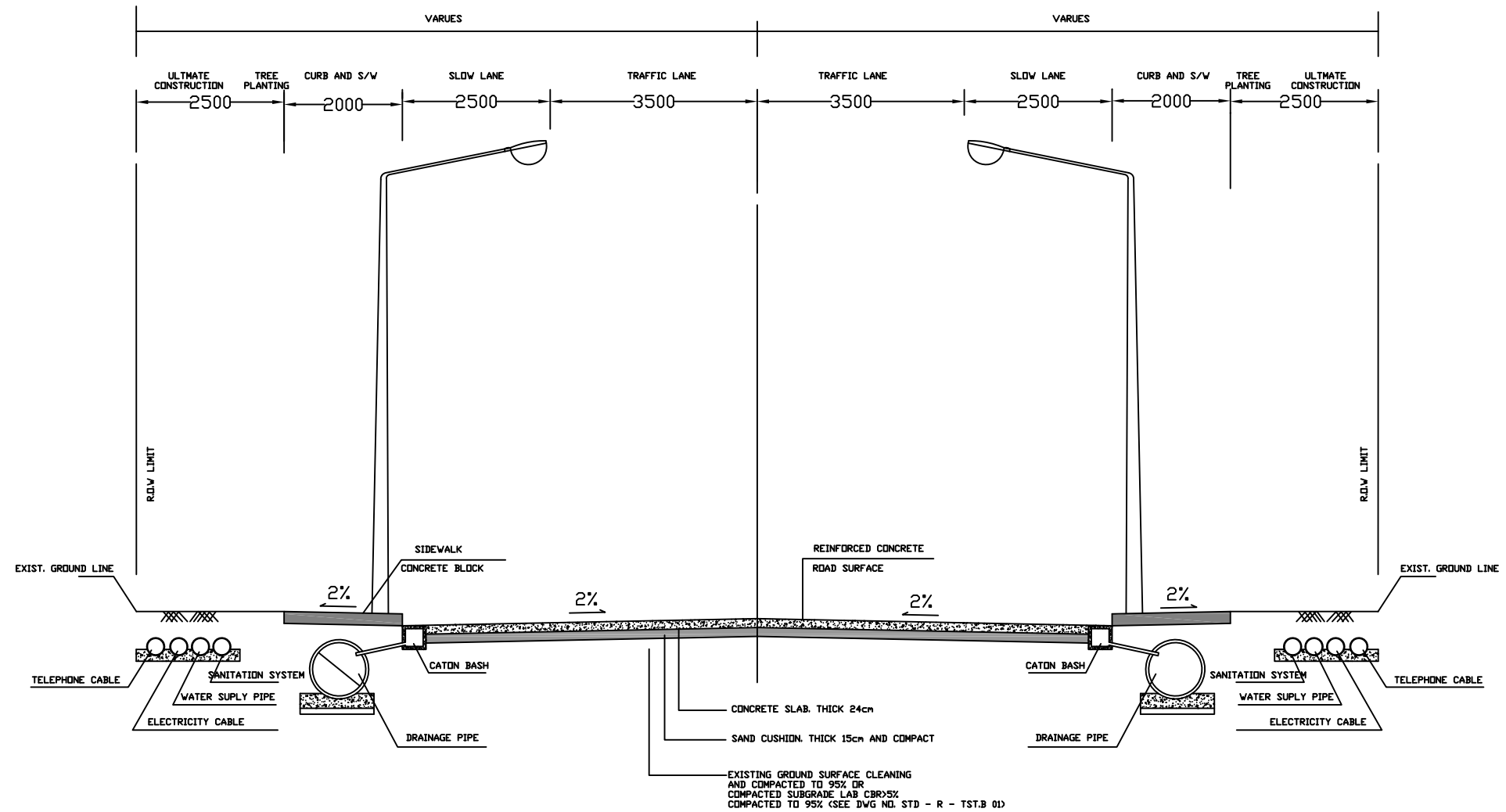


⊙ Top View  
ECH 1: 400



① Front View  
ECH 1: 400

# Approach Road/SLP



Typical Cross Section of Approach road

ECH 1/100

Japan International Cooperation Agency (JICA)	International Development Center of Japan	Project: the Comprehensive Study on Logistics System in LAO PDR	Typical Cross Section of Approach Road (SLP)	Drawing:		Engineer		Description	REV. NO.
				Date	Checked	Date	Checked		

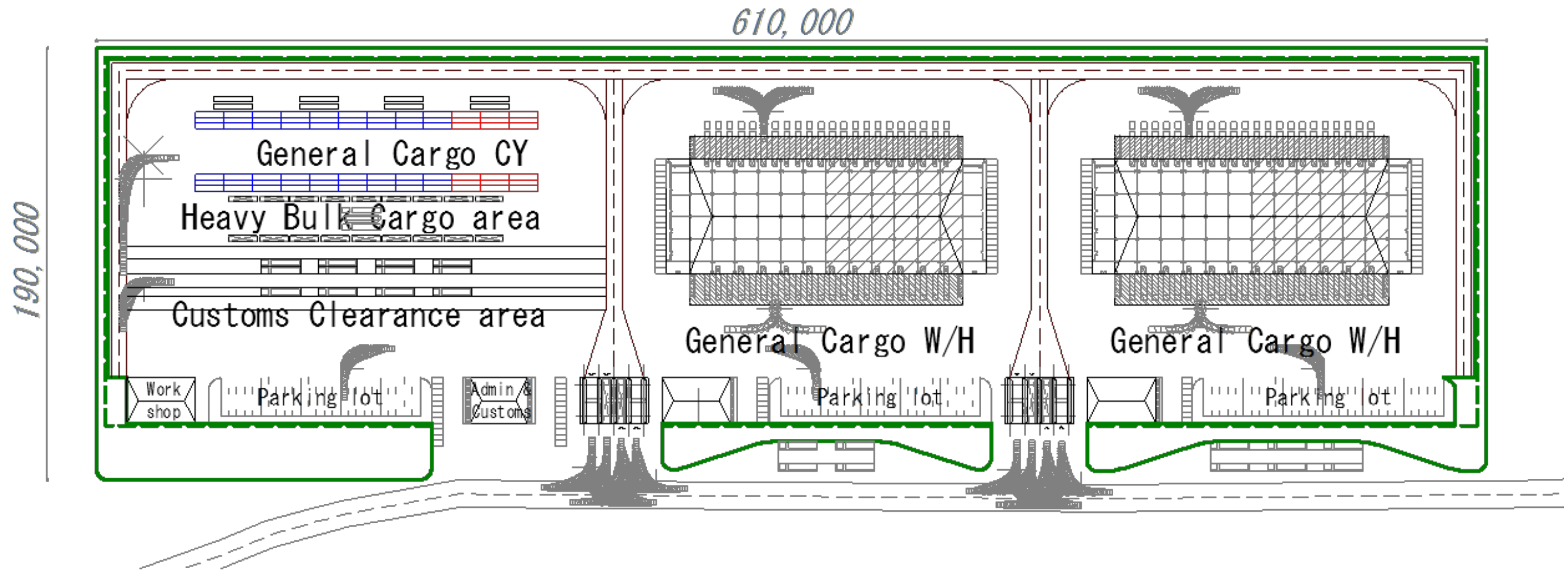
# Perspective (CLP)



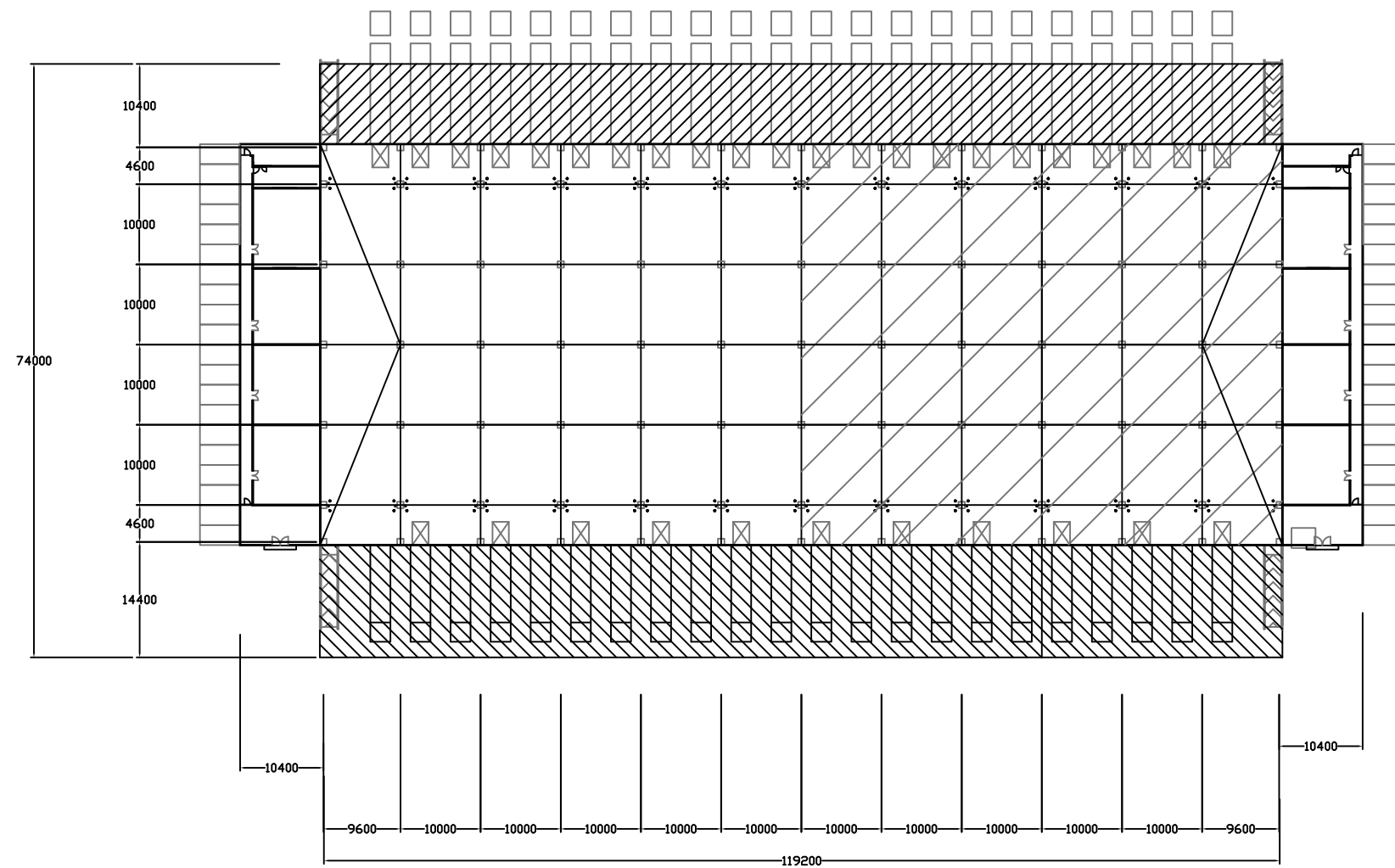
Japan International Cooperation Agency (JICA)	International Development Center of Japan	Project: the Comprehensive Study on Logistics System in LAO PDR	Perspective (CLP)	Drawing:		Engineer		Description	REV. NO.
				Date	Checked	Date	Checked		



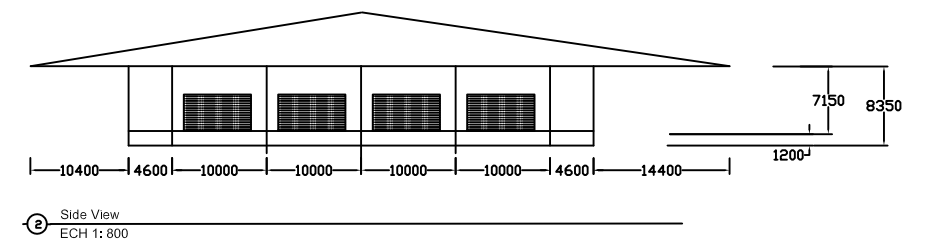
# Overall Layout (CLP)



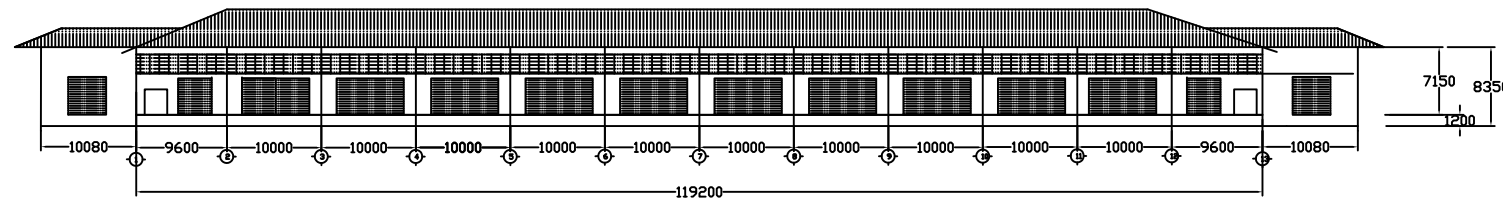
# General Cargo Warehouse/CLP



Top View  
ECH 1: 800



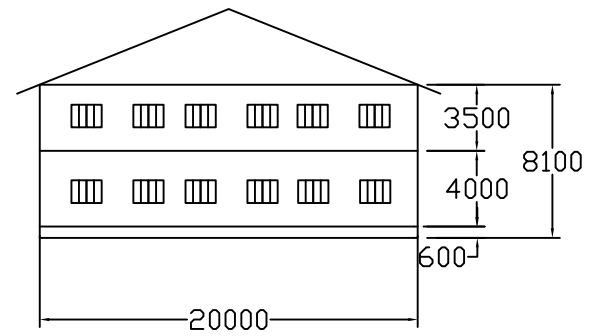
Side View  
ECH 1: 800



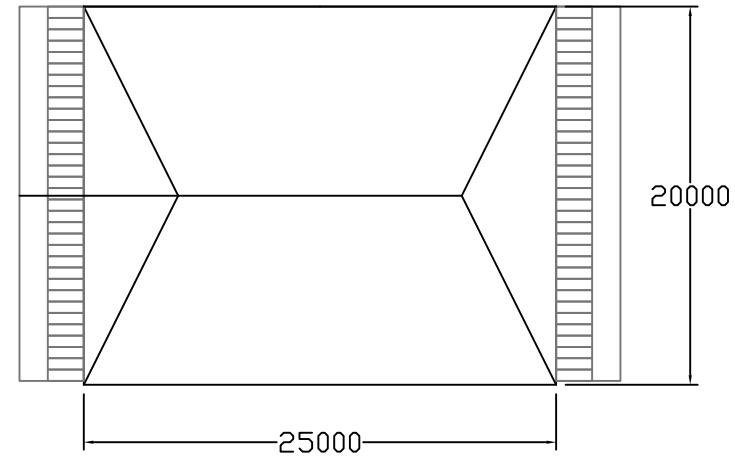
Front View  
ECH 1: 800

Drawing:		Engineer		Description	REV. NO.
Date	Checked	Date	Checked		

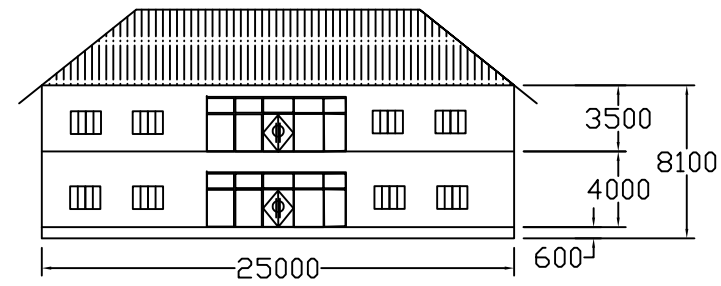
# Administration Custom's Office/CLP



② Side View  
ECH 1: 400

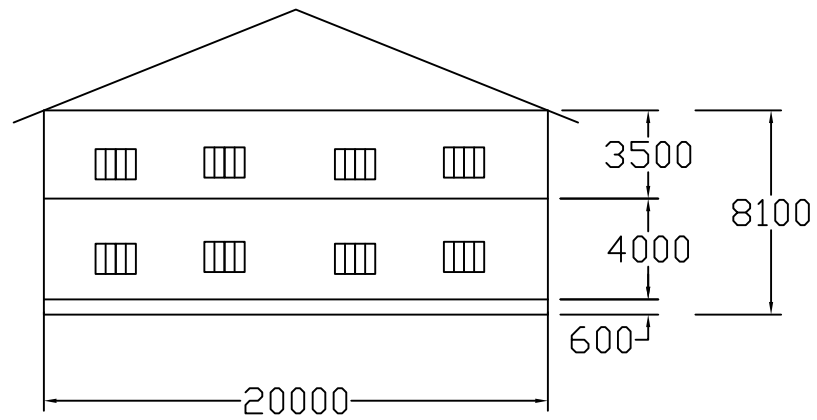


① Top View  
ECH 1: 400

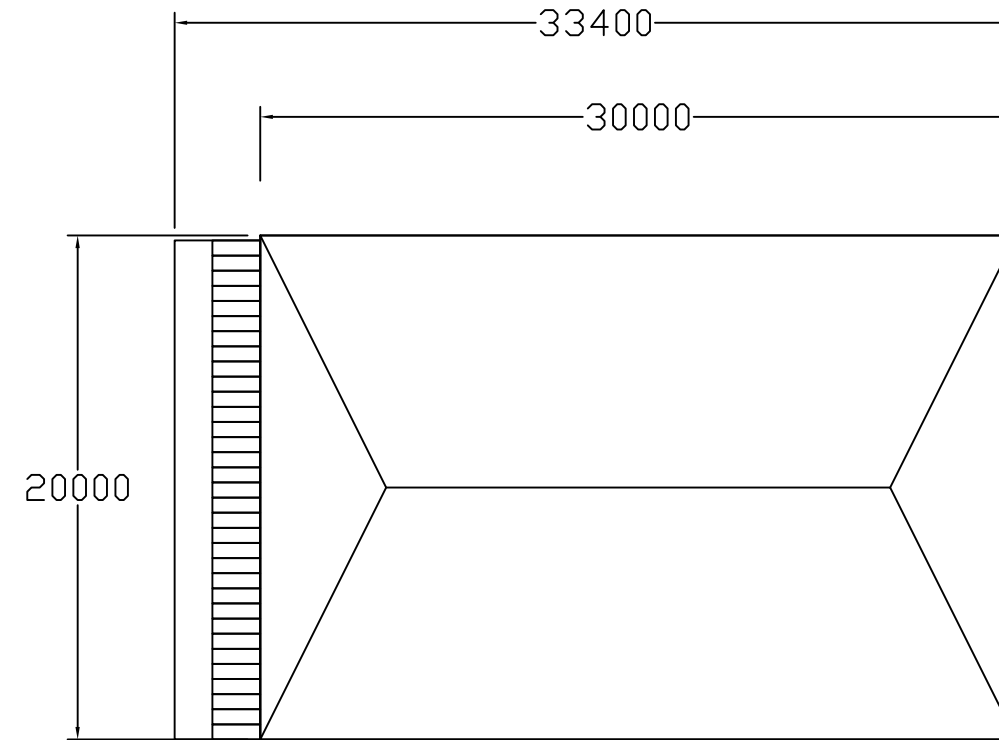


① Front View  
ECH 1: 400

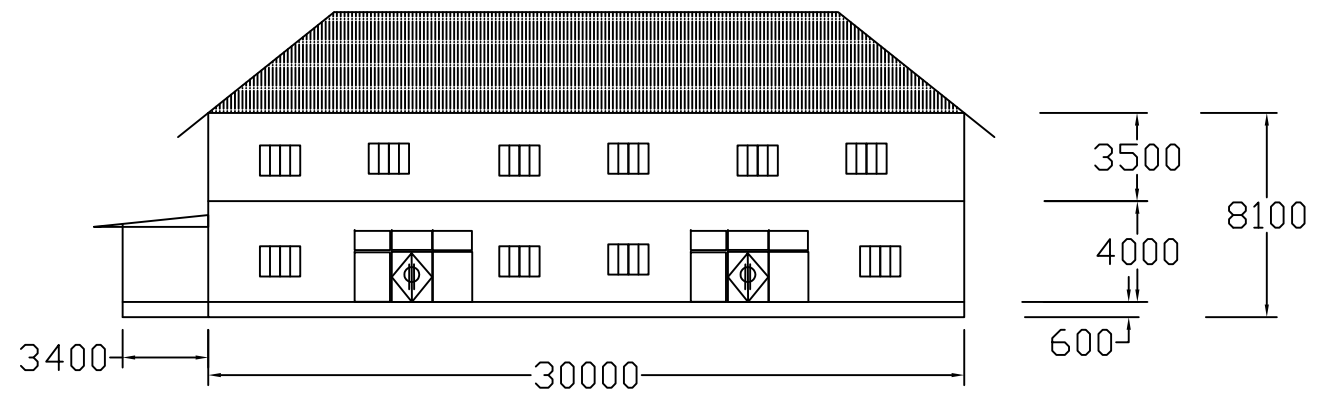
# Operator's Office/CLP



② Side View  
ECH 1: 300

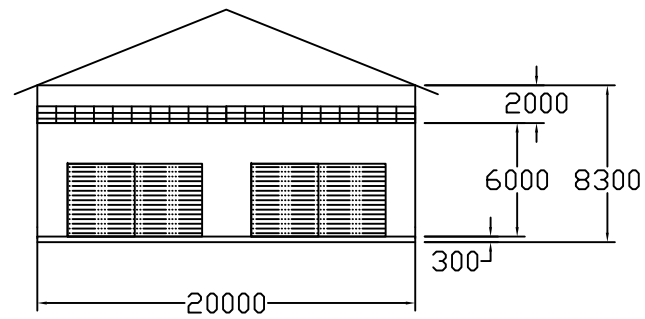


⊙ Top View  
ECH 1: 300

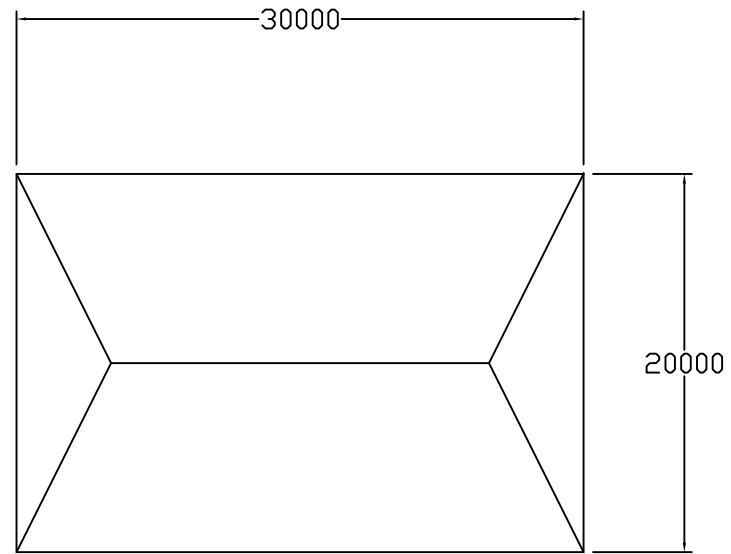


① Front View  
ECH 1: 300

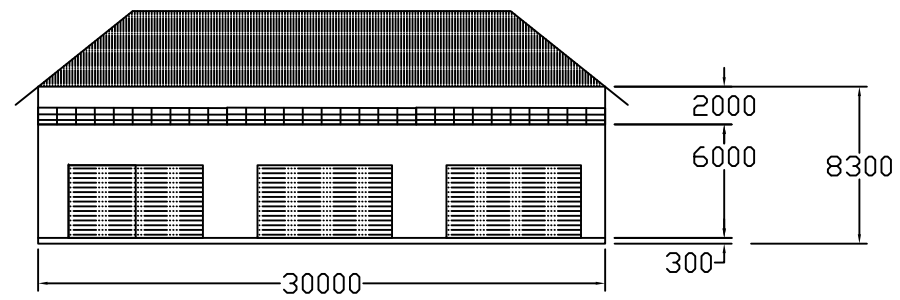
# Maintenance Workshop/CLP



② Side View  
ECH 1: 400



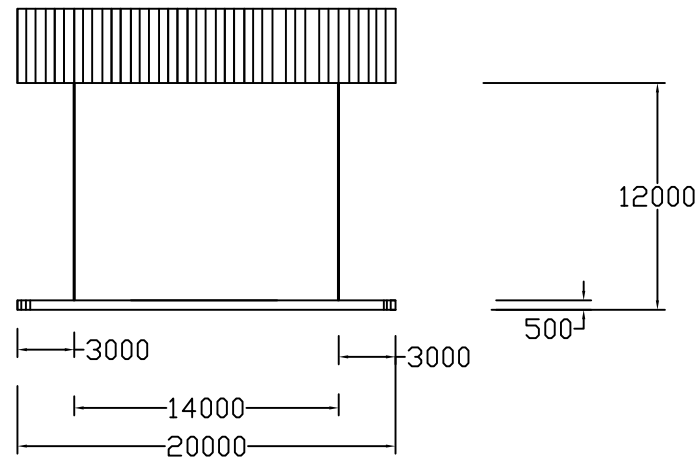
⊙ Top View  
ECH 1: 400



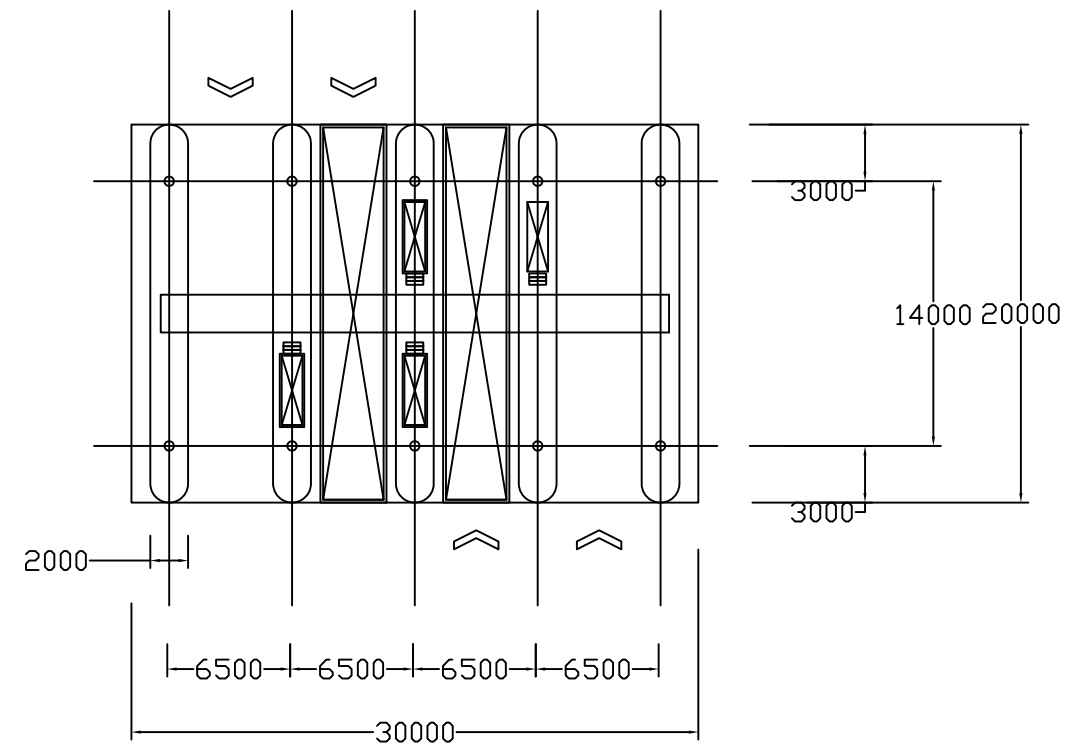
① Front View  
ECH 1: 400

Japan International Cooperation Agency (JICA)	International Development Center of Japan	Project: The Comprehensive Study on Logistics System in LAO PDR	Plan and Profile (CLP) Maintenance Workshop	Drawing:		Engineer		Description	REV. NO.
				Date	Checked	Date	Checked		

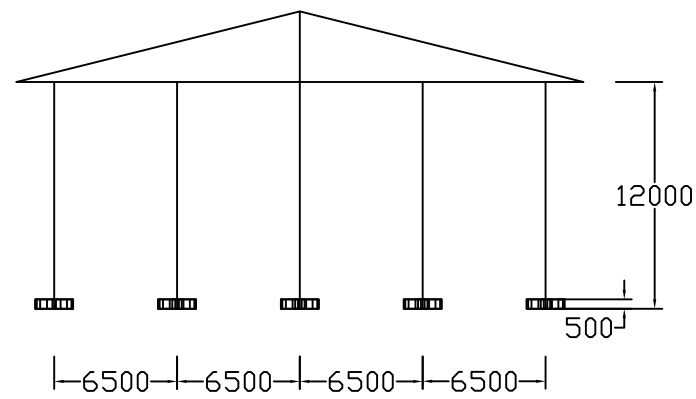
# Gate and Weight Station/CLP



② Side View  
ECH 1: 400



⊙ Top View  
ECH 1: 400



① Front View  
ECH 1: 400

Drawing:		Engineer		Description	REV. NO.
Date	Checked	Date	Checked		