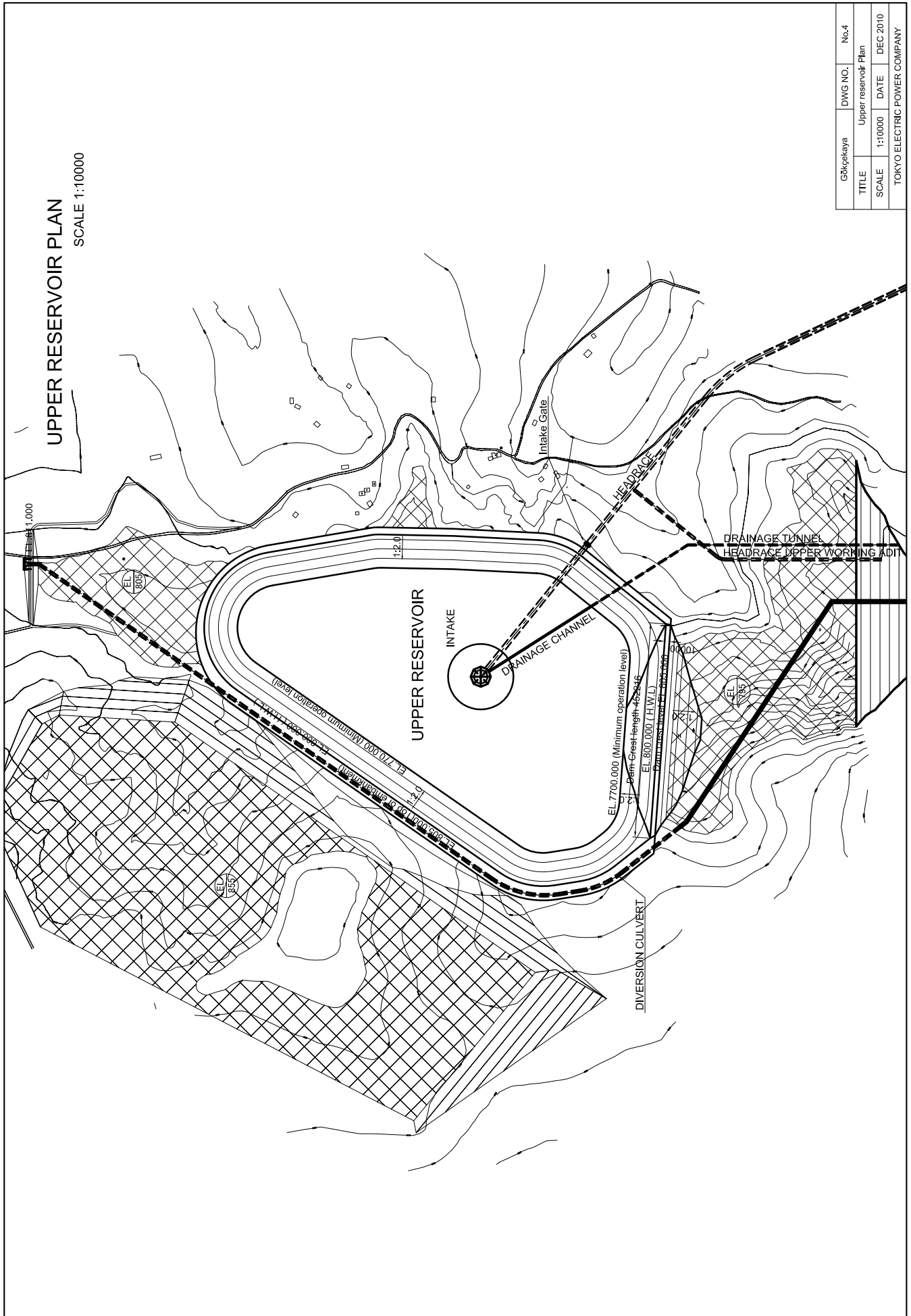


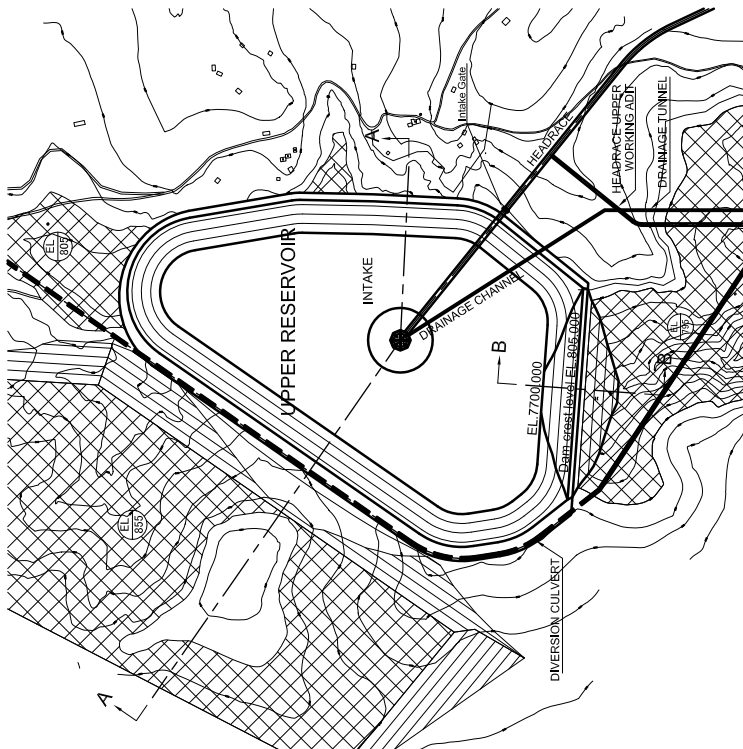
UPPER RESERVOIR PLAN

SCALE 1:10000

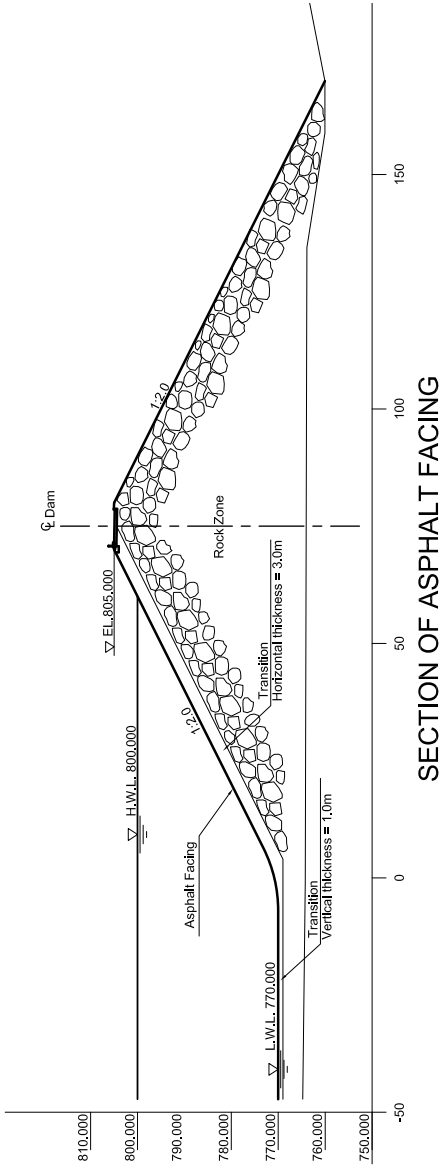


| | | |
|------------------------------|----------------------|----------|
| Gökeçkaya | DWG NO. | No.4 |
| TITLE | Upper reservoir Plan | |
| SCALE | DATE | DEC 2010 |
| TOKYO ELECTRIC POWER COMPANY | | |

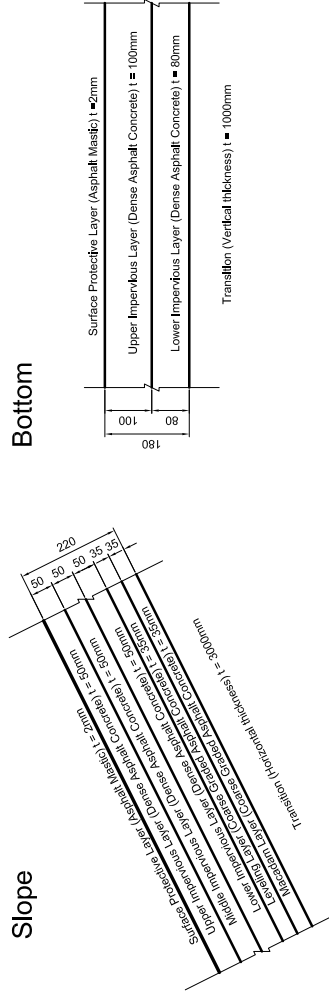
KEY PLAN
SCALE 1:15000



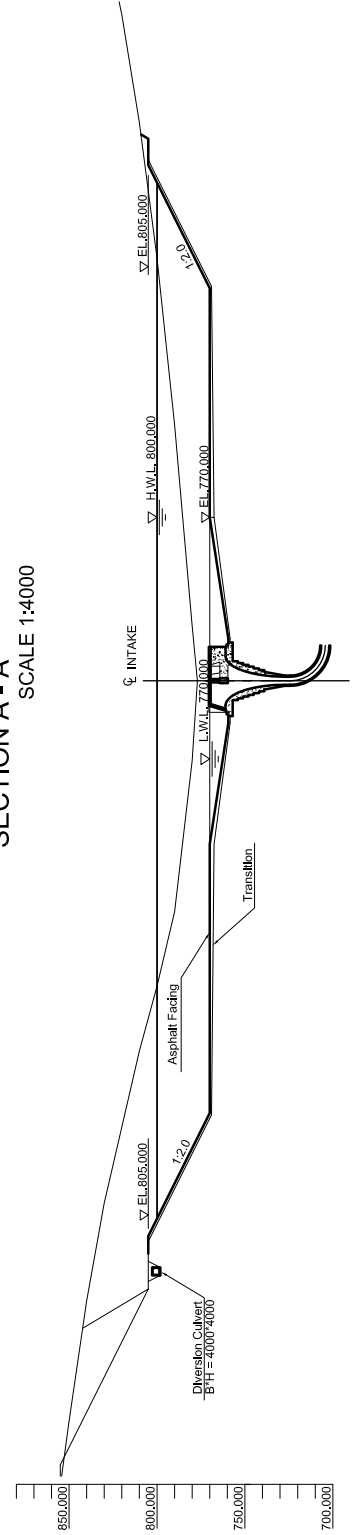
SECTION B - B
SCALE 1:1500



SECTION OF ASPHALT FACING
SCALE 1:15

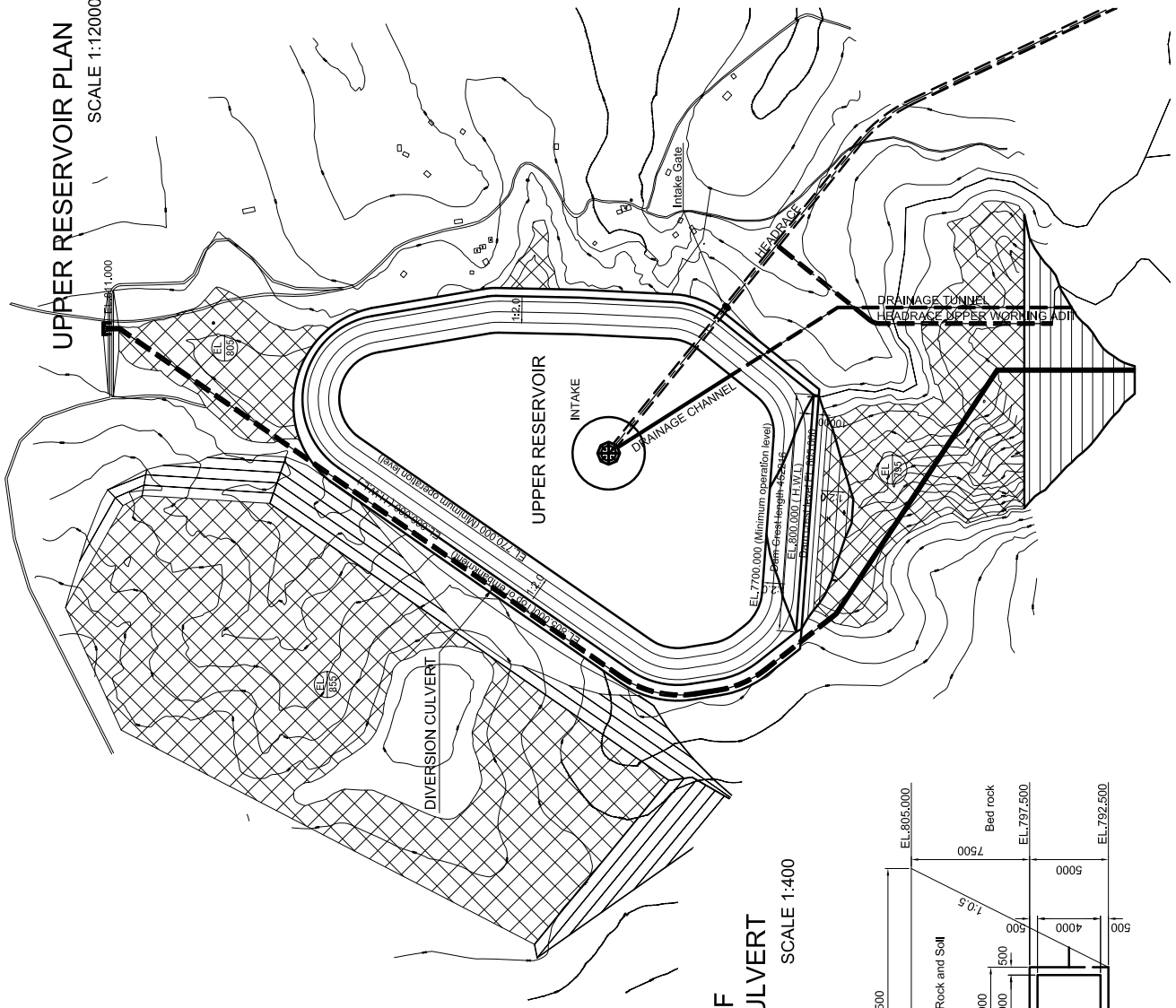


SECTION A - A
SCALE 1:4000

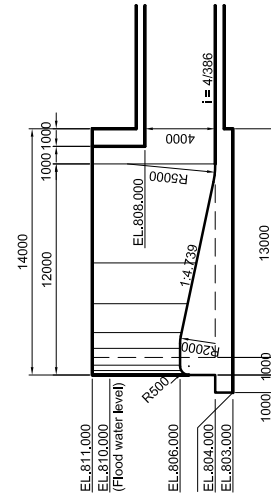
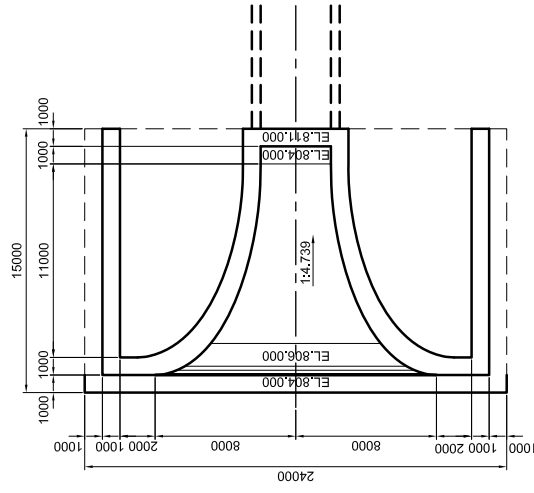


| | | |
|------------------------------|-------------------------|----------|
| Göçkeçaya | DWG NO. | No.5 |
| TITLE | Upper reservoir Section | |
| SCALE | DATE | DEC 2010 |
| 1:15000 1:1500 1:5000 1:1000 | | |
| TOKYO ELECTRIC POWER COMPANY | | |

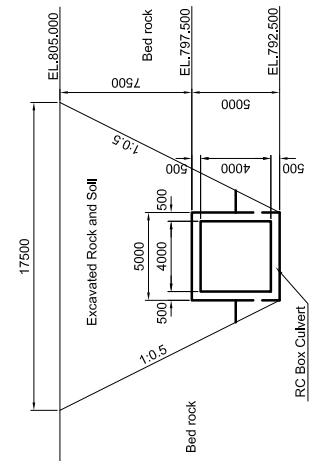
UPPER RESERVOIR PLAN
SCALE 1:12000



DIVERSION ENTRANCE
SCALE 1:300



INSTALLATION OF
RC BOX CULVERT
SCALE 1:400

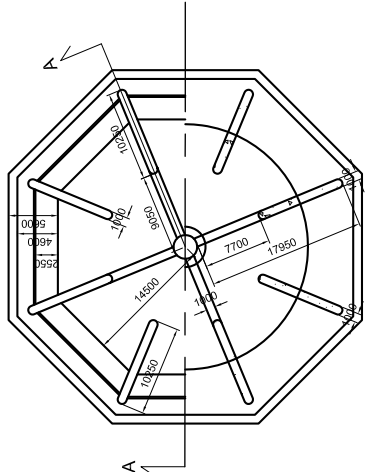


| | | |
|--|---------|----------|
| Göçkeçaya | DWG NO. | No.6 |
| Upper reservoir Diversion culvert Layout | TITLE | |
| 1:12000 | SCALE | DATE |
| 1:300 | 1:300 | DEC 2010 |
| TOKYO ELECTRIC POWER COMPANY | | |

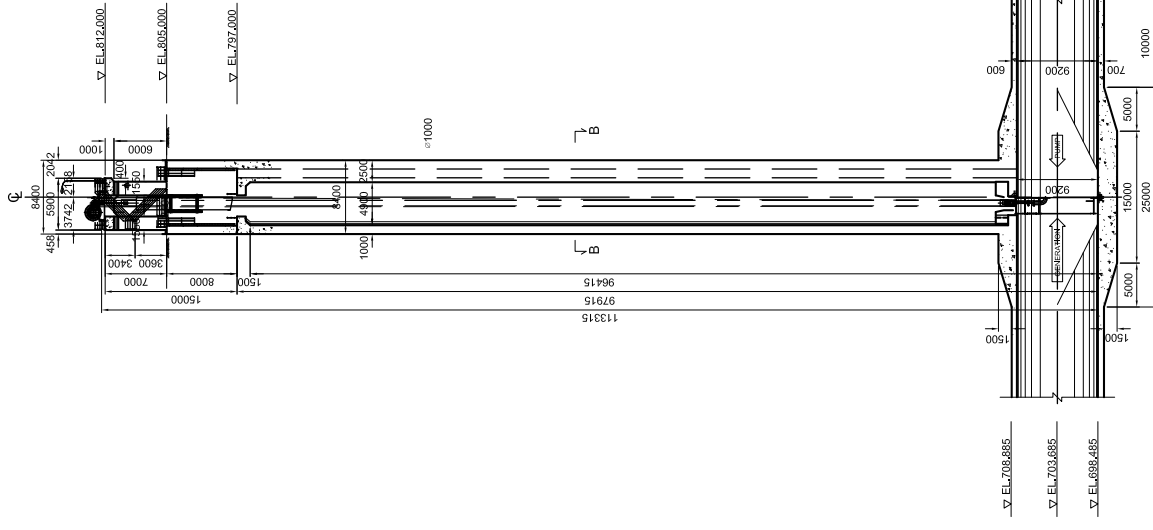
INTAKE STRUCTURE PLAN AND GATE SECTIONS

SCALE 1:800

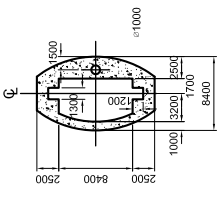
INTAKE GATE SECTION



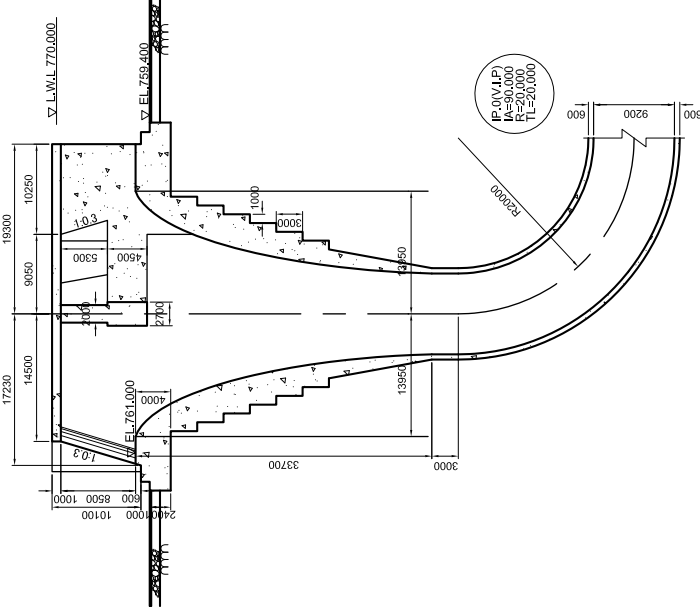
GROUND PLAN



SECTION B - B



SECTION A-A



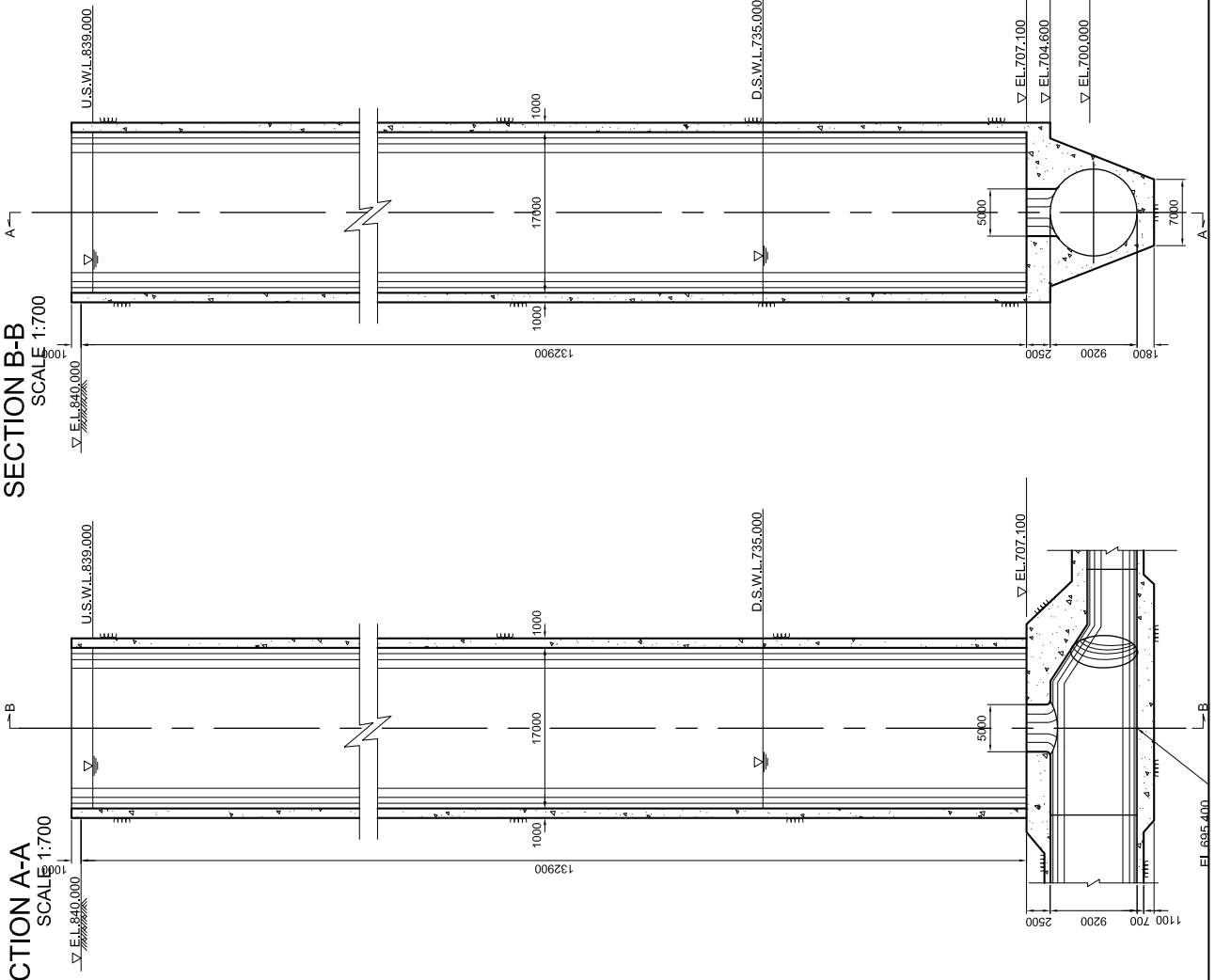
| | | |
|------------------------------|--------------------------|------|
| G8kekeya | DWG NO. | No.7 |
| TITLE | Intake Plan and Sections | |
| SCALE | 1:800 | DATE |
| | DEC 2010 | |
| TOKYO ELECTRIC POWER COMPANY | | |

HEADRACE SURGE TANK SECTIONS AND DETAILS

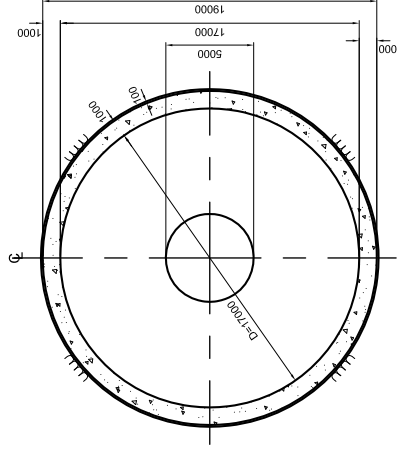
SECTION A-A
SCALE 1:700

SECTION B-B
SCALE 1:700

PLAN (EL.840.000)
SCALE 1:700



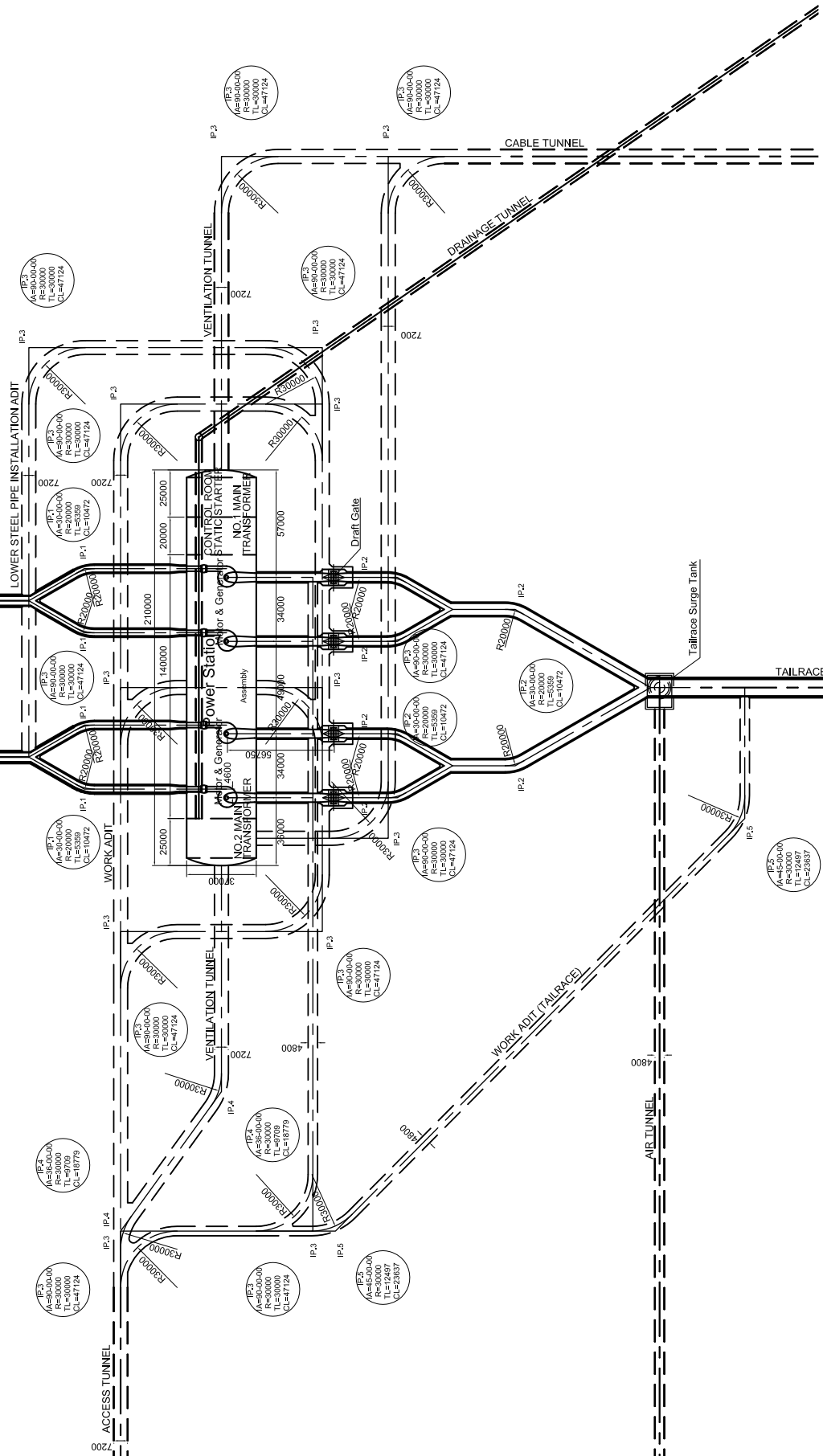
DETAILS
SCALE 1:400
VERTICAL SHAFT



| | | |
|-------------|--------------------------------------|----------|
| Göçkeçaya | DWG NO. | No.8 |
| TITLE | Headrace surge tank Plan and Section | |
| SCALE | DATE | DEC 2010 |
| 1:400 1:700 | TOKYO ELECTRIC POWER COMPANY | |

UNDERGROUND POWERHOUSE ARRANGEMENT PLAN

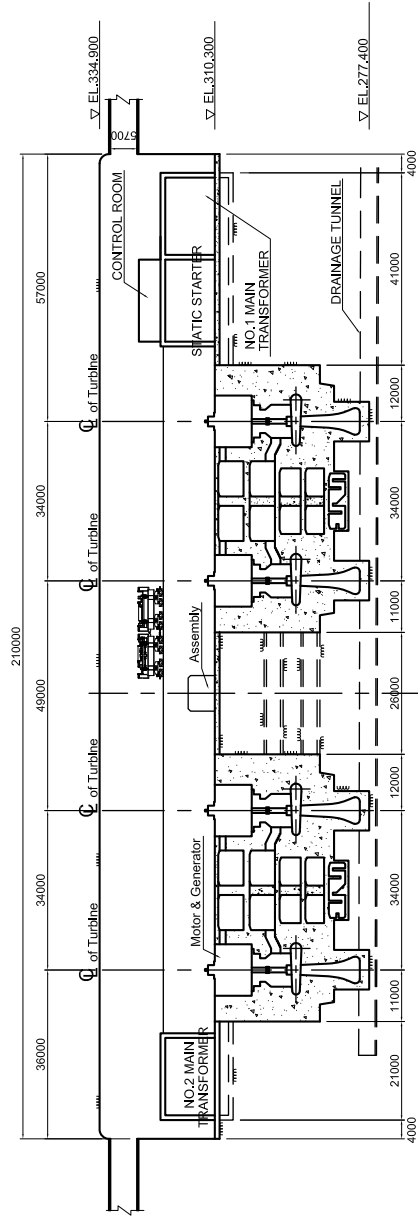
SCALE 1:3000



| | | |
|------------------------------|---|-----------------|
| Göçkeçaya | DWG NO. | No.9 |
| TITLE | Underground powerhouse Arrangement Plan | |
| SCALE | DATE | 1:3000 DEC 2010 |
| TOKYO ELECTRIC POWER COMPANY | | |

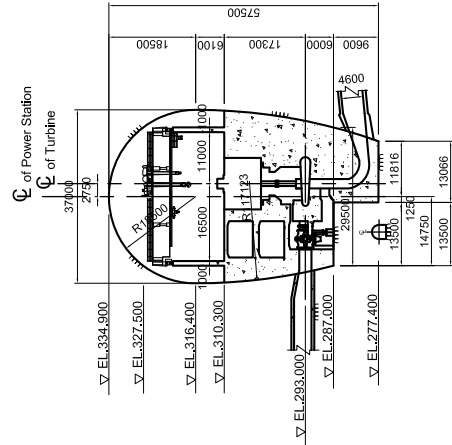
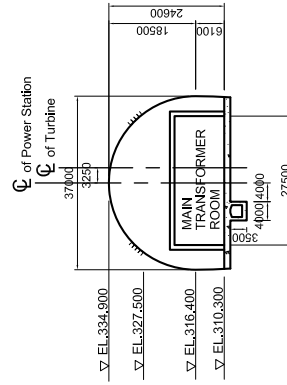
POWER STATION LONGITUDINAL SECTION

SCALE 1:1500



POWER STATION CROSS SECTIONS

SCALE 1:1500



| | | |
|------------------------------|--------------------------------|----------|
| Gökeçkaya | DWG NO. | No.10 |
| TITLE | Underground powerhouse Section | |
| SCALE | 1:1500 | DATE |
| | | DEC 2010 |
| TOKYO ELECTRIC POWER COMPANY | | |