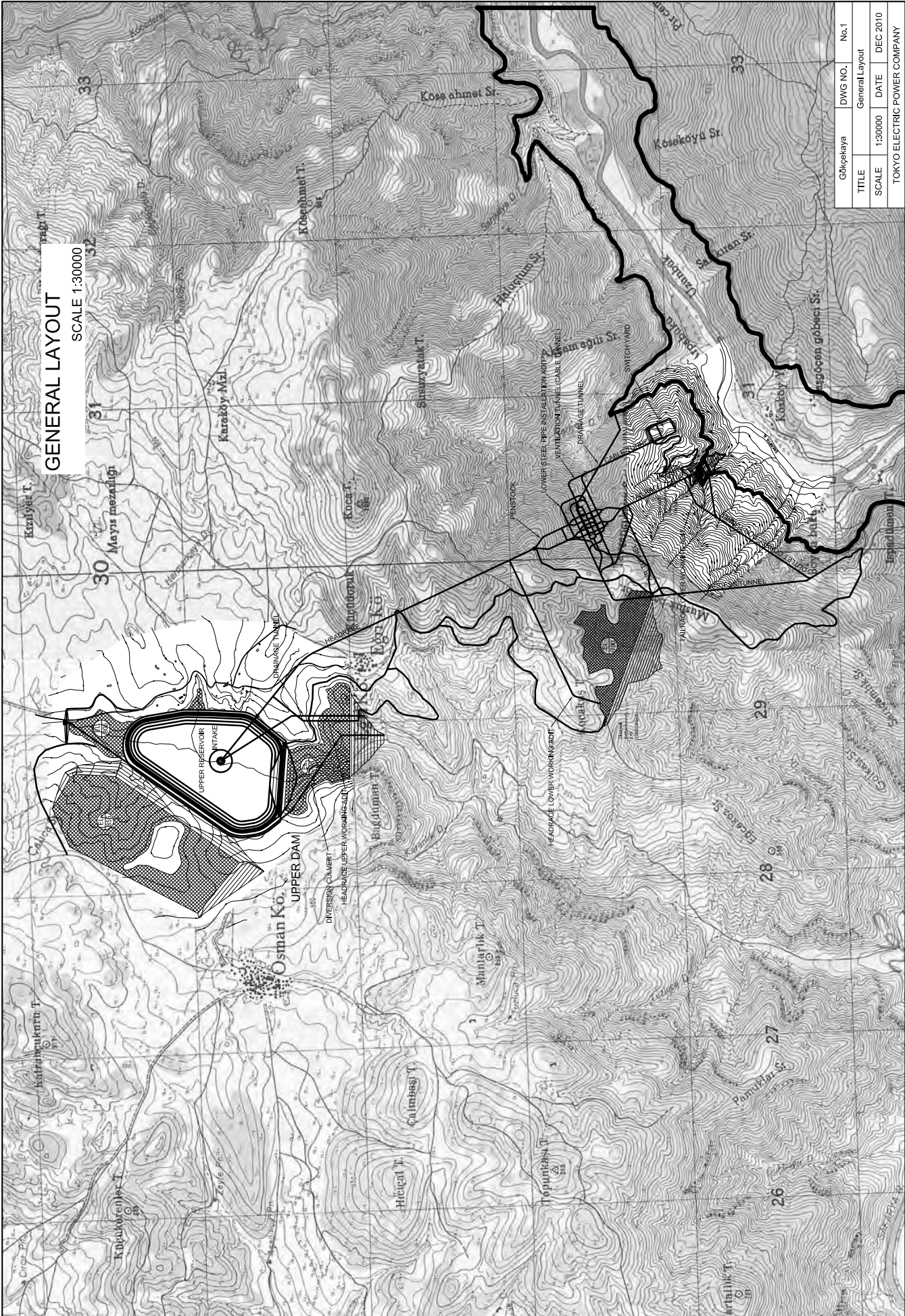
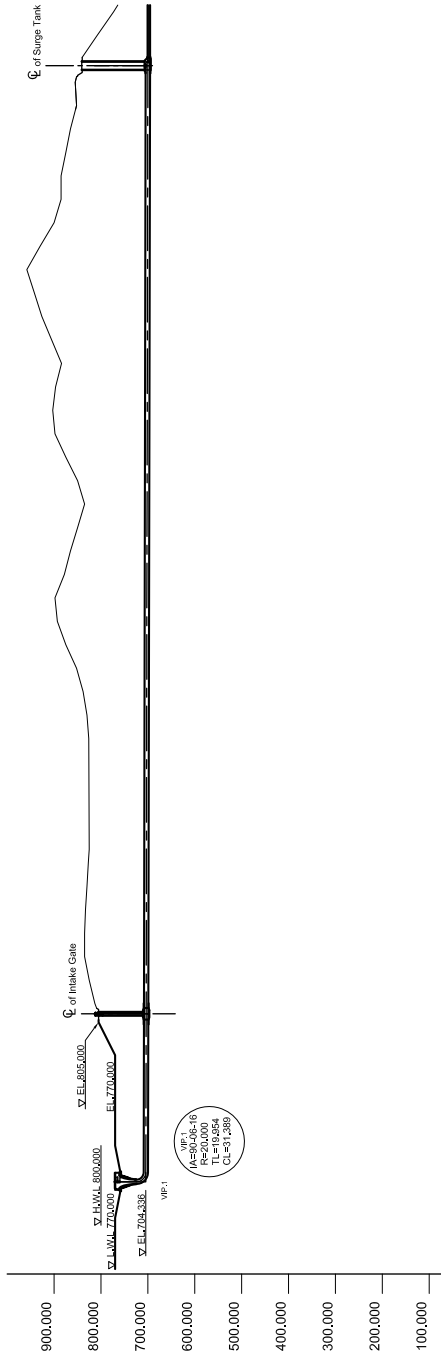


Appendix 7-3
Design Drawings
for
Gökçekaya PSPP



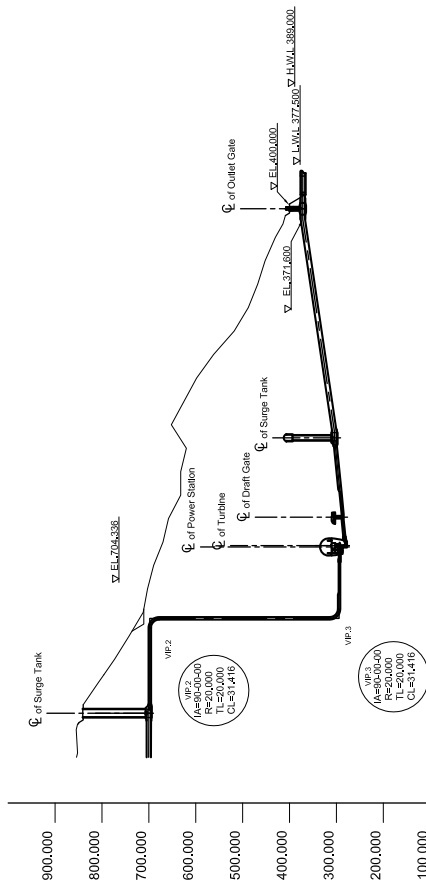
LONGITUDINAL SECTION SCALE 1:15000



Inclination	704.336	704.300	703.685	804.643	795.937	844.600	698.041
Level along C of Waterway	704.336	704.300	703.685	804.643	795.937	844.600	698.041
Original Ground Level	781.000	752.400	804.643	804.643	795.937	844.600	698.041
Distance	0.000	19.973	337.727	337.727	77.239	2027.693	2462.632
Accumulated Distance	0.000	19.973	357.700	357.700	434.939	2385.383	2462.632
Curve Details	P1: (A=200, R=20,000, TL=10,954, CL=97,280)		P2: (A=200, R=20,000, TL=10,954, CL=97,280)				

Gökeçkaya	DWG NO.	No.2 (1/2)
TITLE	Waterway Longitudinal Section	
SCALE	1:15000	DATE
		DEC 2010
TOKYO ELECTRIC POWER COMPANY		

LONGITUDINAL SECTION SCALE 1:15000

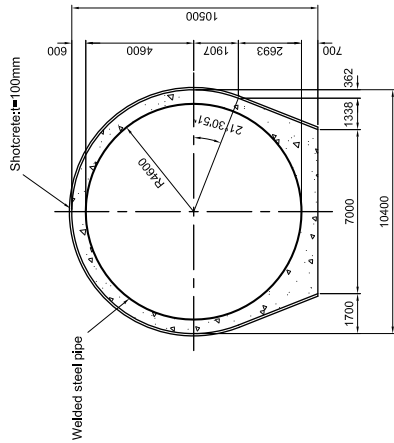


Inclination	Level along CL of Waterway	Original Ground Level	Distance	Accumulated Distance	Curve Details
1:20%	371.500	371.500	0.00	0.00	IP1
1:20%	371.500	371.500	10.00	10.00	IP2
1:20%	371.500	371.500	20.00	20.00	IP3
1:20%	371.500	371.500	30.00	30.00	IP4
1:20%	371.500	371.500	40.00	40.00	IP5
1:20%	371.500	371.500	50.00	50.00	IP6
1:20%	371.500	371.500	60.00	60.00	IP7
1:20%	371.500	371.500	70.00	70.00	IP8
1:20%	371.500	371.500	80.00	80.00	IP9
1:20%	371.500	371.500	90.00	90.00	IP10
1:20%	371.500	371.500	100.00	100.00	IP11
1:20%	371.500	371.500	110.00	110.00	IP12
1:20%	371.500	371.500	120.00	120.00	IP13
1:20%	371.500	371.500	130.00	130.00	IP14
1:20%	371.500	371.500	140.00	140.00	IP15
1:20%	371.500	371.500	150.00	150.00	IP16
1:20%	371.500	371.500	160.00	160.00	IP17
1:20%	371.500	371.500	170.00	170.00	IP18
1:20%	371.500	371.500	180.00	180.00	IP19
1:20%	371.500	371.500	190.00	190.00	IP20
1:20%	371.500	371.500	200.00	200.00	IP21
1:20%	371.500	371.500	210.00	210.00	IP22
1:20%	371.500	371.500	220.00	220.00	IP23
1:20%	371.500	371.500	230.00	230.00	IP24
1:20%	371.500	371.500	240.00	240.00	IP25
1:20%	371.500	371.500	250.00	250.00	IP26
1:20%	371.500	371.500	260.00	260.00	IP27
1:20%	371.500	371.500	270.00	270.00	IP28
1:20%	371.500	371.500	280.00	280.00	IP29
1:20%	371.500	371.500	290.00	290.00	IP30
1:20%	371.500	371.500	300.00	300.00	IP31
1:20%	371.500	371.500	310.00	310.00	IP32
1:20%	371.500	371.500	320.00	320.00	IP33
1:20%	371.500	371.500	330.00	330.00	IP34
1:20%	371.500	371.500	340.00	340.00	IP35
1:20%	371.500	371.500	350.00	350.00	IP36
1:20%	371.500	371.500	360.00	360.00	IP37
1:20%	371.500	371.500	370.00	370.00	IP38
1:20%	371.500	371.500	380.00	380.00	IP39
1:20%	371.500	371.500	390.00	390.00	IP40
1:20%	371.500	371.500	400.00	400.00	IP41
1:20%	371.500	371.500	410.00	410.00	IP42
1:20%	371.500	371.500	420.00	420.00	IP43
1:20%	371.500	371.500	430.00	430.00	IP44
1:20%	371.500	371.500	440.00	440.00	IP45
1:20%	371.500	371.500	450.00	450.00	IP46
1:20%	371.500	371.500	460.00	460.00	IP47
1:20%	371.500	371.500	470.00	470.00	IP48
1:20%	371.500	371.500	480.00	480.00	IP49
1:20%	371.500	371.500	490.00	490.00	IP50
1:20%	371.500	371.500	500.00	500.00	IP51
1:20%	371.500	371.500	510.00	510.00	IP52
1:20%	371.500	371.500	520.00	520.00	IP53
1:20%	371.500	371.500	530.00	530.00	IP54
1:20%	371.500	371.500	540.00	540.00	IP55
1:20%	371.500	371.500	550.00	550.00	IP56
1:20%	371.500	371.500	560.00	560.00	IP57
1:20%	371.500	371.500	570.00	570.00	IP58
1:20%	371.500	371.500	580.00	580.00	IP59
1:20%	371.500	371.500	590.00	590.00	IP60
1:20%	371.500	371.500	600.00	600.00	IP61
1:20%	371.500	371.500	610.00	610.00	IP62
1:20%	371.500	371.500	620.00	620.00	IP63
1:20%	371.500	371.500	630.00	630.00	IP64
1:20%	371.500	371.500	640.00	640.00	IP65
1:20%	371.500	371.500	650.00	650.00	IP66
1:20%	371.500	371.500	660.00	660.00	IP67
1:20%	371.500	371.500	670.00	670.00	IP68
1:20%	371.500	371.500	680.00	680.00	IP69
1:20%	371.500	371.500	690.00	690.00	IP70
1:20%	371.500	371.500	700.00	700.00	IP71
1:20%	371.500	371.500	710.00	710.00	IP72
1:20%	371.500	371.500	720.00	720.00	IP73
1:20%	371.500	371.500	730.00	730.00	IP74
1:20%	371.500	371.500	740.00	740.00	IP75
1:20%	371.500	371.500	750.00	750.00	IP76
1:20%	371.500	371.500	760.00	760.00	IP77
1:20%	371.500	371.500	770.00	770.00	IP78
1:20%	371.500	371.500	780.00	780.00	IP79
1:20%	371.500	371.500	790.00	790.00	IP80
1:20%	371.500	371.500	800.00	800.00	IP81
1:20%	371.500	371.500	810.00	810.00	IP82
1:20%	371.500	371.500	820.00	820.00	IP83
1:20%	371.500	371.500	830.00	830.00	IP84
1:20%	371.500	371.500	840.00	840.00	IP85
1:20%	371.500	371.500	850.00	850.00	IP86
1:20%	371.500	371.500	860.00	860.00	IP87
1:20%	371.500	371.500	870.00	870.00	IP88
1:20%	371.500	371.500	880.00	880.00	IP89
1:20%	371.500	371.500	890.00	890.00	IP90
1:20%	371.500	371.500	900.00	900.00	IP91
1:20%	371.500	371.500	910.00	910.00	IP92
1:20%	371.500	371.500	920.00	920.00	IP93
1:20%	371.500	371.500	930.00	930.00	IP94
1:20%	371.500	371.500	940.00	940.00	IP95
1:20%	371.500	371.500	950.00	950.00	IP96
1:20%	371.500	371.500	960.00	960.00	IP97
1:20%	371.500	371.500	970.00	970.00	IP98
1:20%	371.500	371.500	980.00	980.00	IP99
1:20%	371.500	371.500	990.00	990.00	IP100

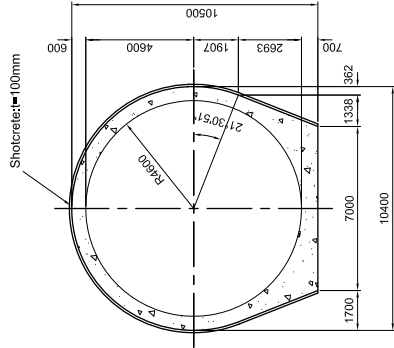
Gökeçkaya	DWG NO.	No.2 (2/2)
TITLE	Waterway Longitudinal Section	
SCALE	1:15000	DATE
		DEC 2010
TOKYO ELECTRIC POWER COMPANY		

CROSS SECTION

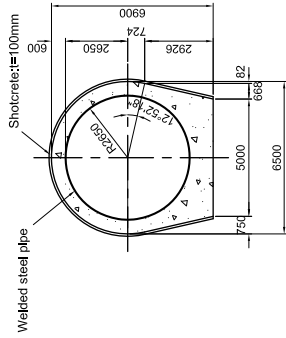
SCALE 1:300



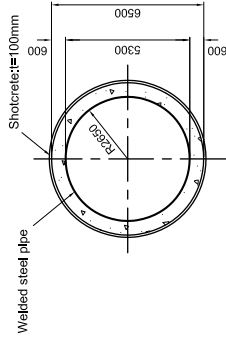
Intake Tunnel (steel lining)
Ø89.2m



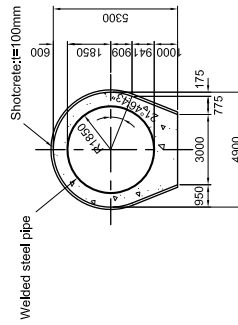
Headrace & Tailrace Ø89.2m



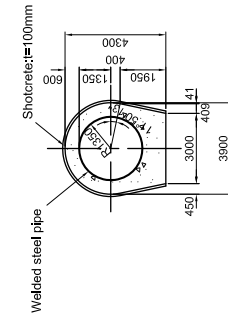
Penstock (horizontal part) Ø85.3m



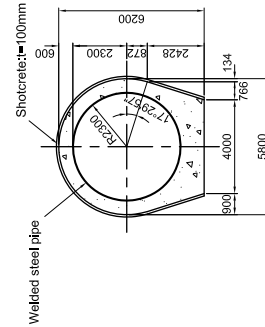
Penstock (vertical shaft) Ø85.3m



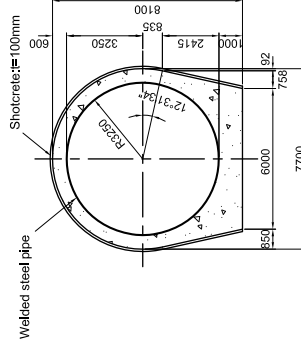
Penstock (in 4 branches) Ø83.7m



Penstock (connection part) Ø82.7m



Tailbay (in 4 branches) Ø84.6m



Tailbay (in 2 branches) Ø86.5m

Gökekeya	DWG NO.	No.2 (2/2)
TITLE	Waterway Longitudinal Section	
SCALE	1:300	DATE
		DEC 2010
TOKYO ELECTRIC POWER COMPANY		

GEOLOGIC MAP

SCALE 1:30000



LEGEND

- Teng(t)
- Teng(b)
- Tpek
- PEg
- PEge

Gemicköy formation:
Teng(t) ; Tuff
Teng(b) ; Tuff breccia

Kızılcay formation:
alteration of conglomerate,
sandstone and mudstone (continental)

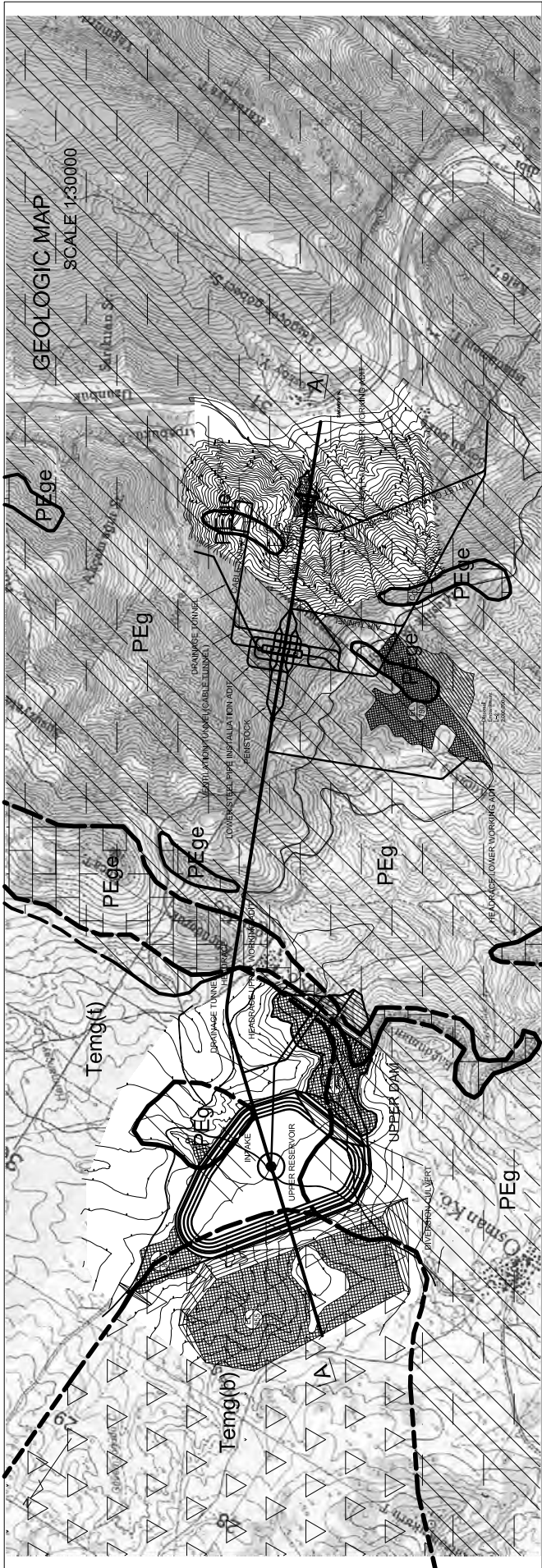
Gökçekaya metamorphics :
chlorite - sericite schist, Phyllite,
Metabasic lava and calc schist

Eğriköy marble:
recrystallized limestone and marble

upper Eocene
- lower Miocene
Paleogene

Triassic Mesozoic
- upper Paleozoic

Gökekeaya	DWG NO.	No.3 (1/2)
TITLE	Geologic Map Plan and Profile	
SCALE	1:30000	DATE
		DEC 2010
TOKYO ELECTRIC POWER COMPANY		



LEGEND

- Temg(t)
- Temg(b)
- PEg
- PEge
- Tpek
- Triassic Mesozoic - upper Paleozoic

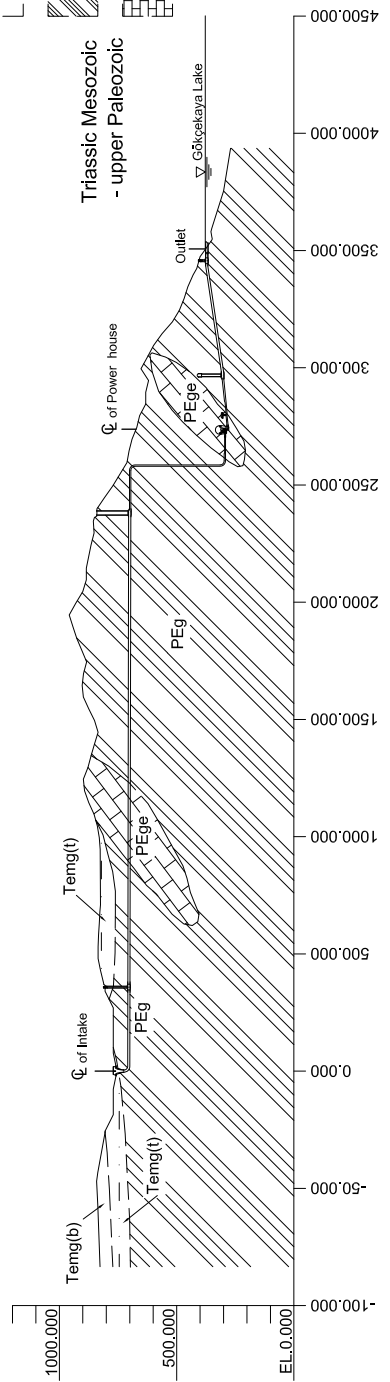
Gemiciköy formation:
 Temg(t) ; Tuff
 Temg(b) ; Tuff breccia

Kızılcay formation:
 alternation of conglomerate, sandstone and mudstone (continental)

Gökçekaya metamorphics :
 chlorite - sericite schist, Phyllite, Metabasic lava and calc schist

Eğrikköy marble:
 recrystallized limestone and marble

SECTION A - A SCALE 1:20000



Gökçekaya	DWG NO.	No.3 (%)
TITLE	Geologic Map Plan and Profile	
SCALE	1:30000	DATE
		DEC 2010
TOKYO ELECTRIC POWER COMPANY		