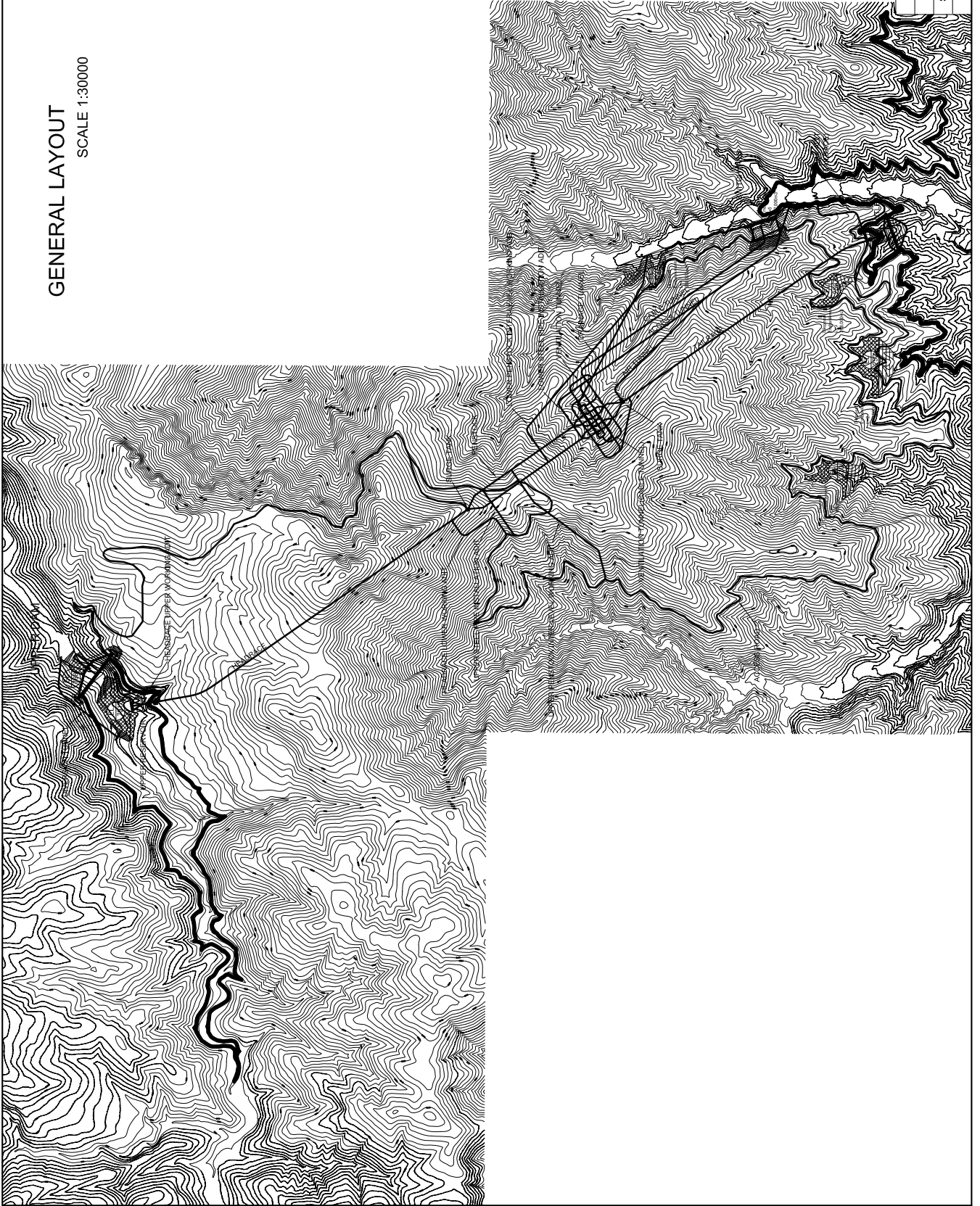


Appendix 7-2
Design Drawings
for
Altinkaya PSPP

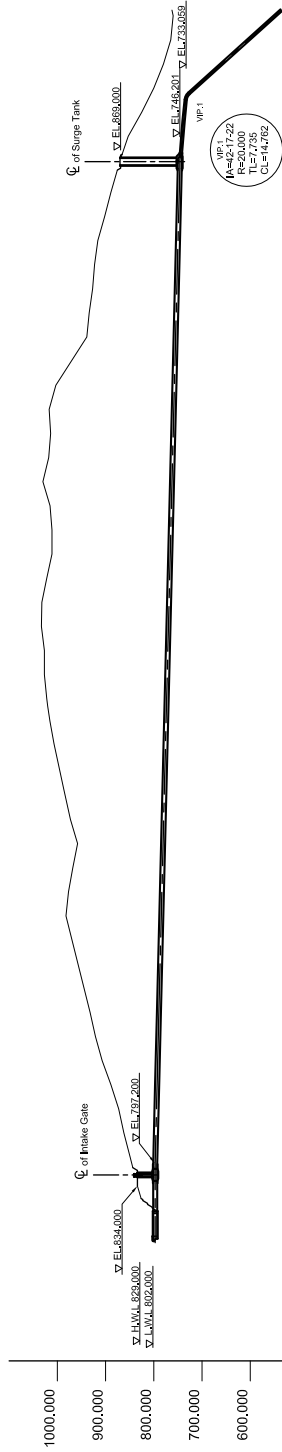
GENERAL LAYOUT
SCALE 1:30000



Altinkaya	DWG NO.	No.1
General Layout		
TITLE	SCALE	DATE
	1:30000	DEC 2010
TOKYO ELECTRIC POWER COMPANY		

LONGITUDINAL SECTION

SCALE 1:15000

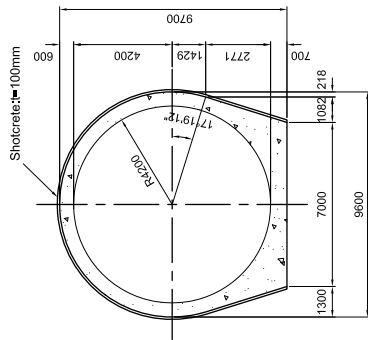


Inclination	Level along ℄ of Waterway	Original Ground Level	Distance	Accumulated Distance	Curve Details
1:1000	797.200	803.639	0.000	0.000	VP 1 R=20.000 L=144.000 CL=144.762
1:1000	797.200	818.624	60.300	60.300	
1:1000	797.200	845.740	98.475	158.775	VP 2 R=20.000 L=144.000 CL=144.762
1:1000	797.200	892.112	172.227	331.002	
1:1000	799.811	923.373	129.416	460.418	VP 3 R=20.000 L=144.000 CL=144.762
1:1000	799.811	988.150	179.022	639.440	
1:1000	744.912	868.150	0.000	639.440	VP 4 R=20.000 L=144.000 CL=144.762
1:1000	744.912	888.150	179.022	818.462	
1:1000	744.912	898.150	179.022	997.484	VP 5 R=20.000 L=144.000 CL=144.762
1:1000	744.912	923.376	179.022	1176.506	
1:1000	738.304	833.376	78.971	1255.477	VP 6 R=20.000 L=144.000 CL=144.762
1:1000	738.304	888.150	179.022	1434.500	
1:1000	727.310	803.450	57.629	1492.129	VP 7 R=20.000 L=144.000 CL=144.762
1:1000	727.310	868.150	179.022	1671.151	

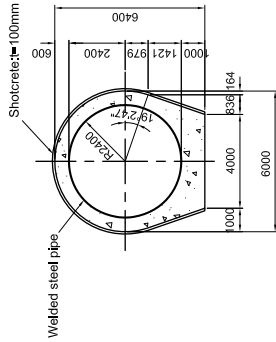
Altinkaya	DWG NO.	No.2 (1/2)
TITLE	Waterway Longitudinal Section	
SCALE	1:15000	DATE
		DEC 2010
TOKYO ELECTRIC POWER COMPANY		

CROSS SECTION

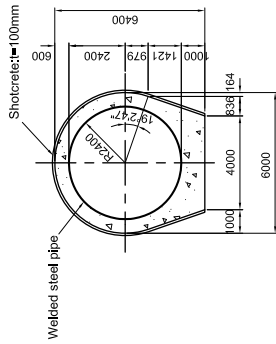
SCALE 1:300



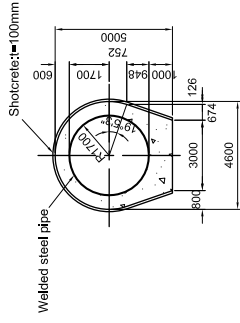
Headrace & Tailrace ϕ 8.4m



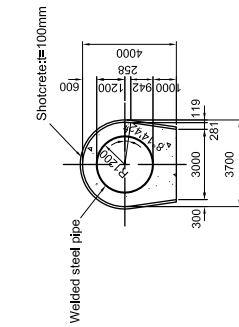
Penstock (horizontal part) ϕ 4.8m



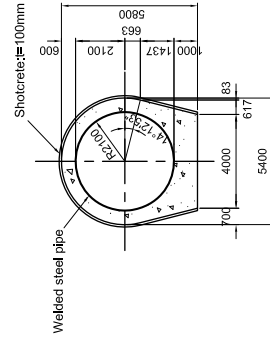
Penstock (inclined shaft) ϕ 4.8m



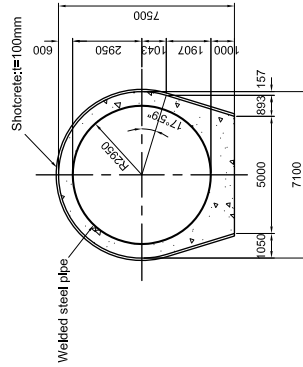
Penstock (in 4 branches) ϕ 3.4m



Penstock (connection part) ϕ 2.4m



Tailbay (in 4 branches) ϕ 4.2m



Tailbay (in 2 branches) ϕ 5.9m

Altinkaya	DWG NO.	No.2 (2/2)
TITLE	Waterway Cross section	
SCALE	1:300	DATE
		DEC 2010
TOKYO ELECTRIC POWER COMPANY		