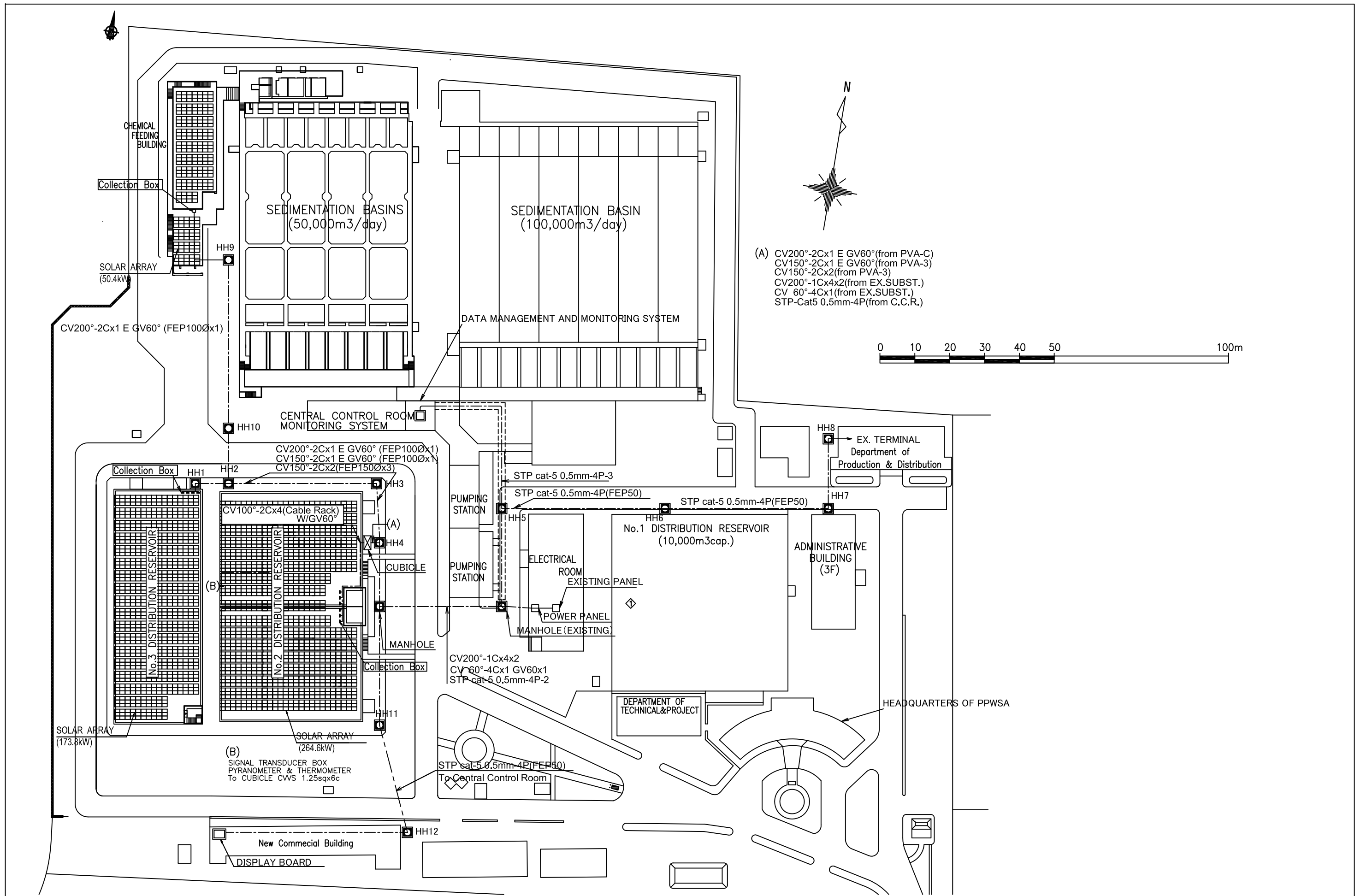
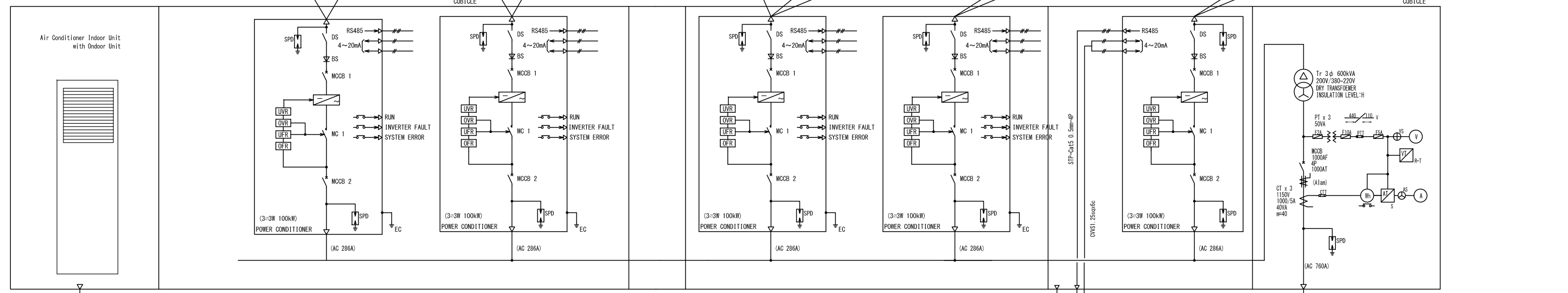
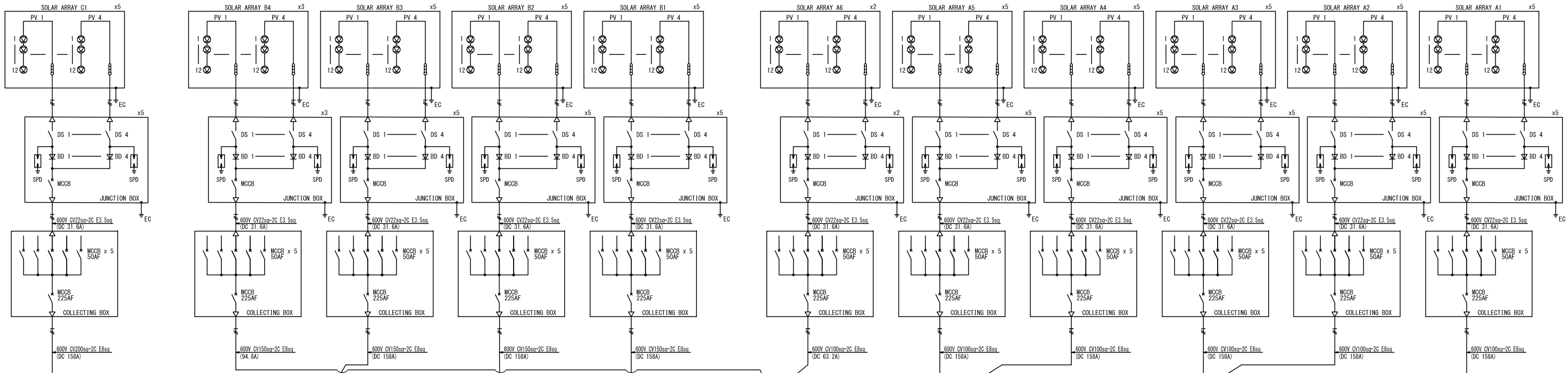


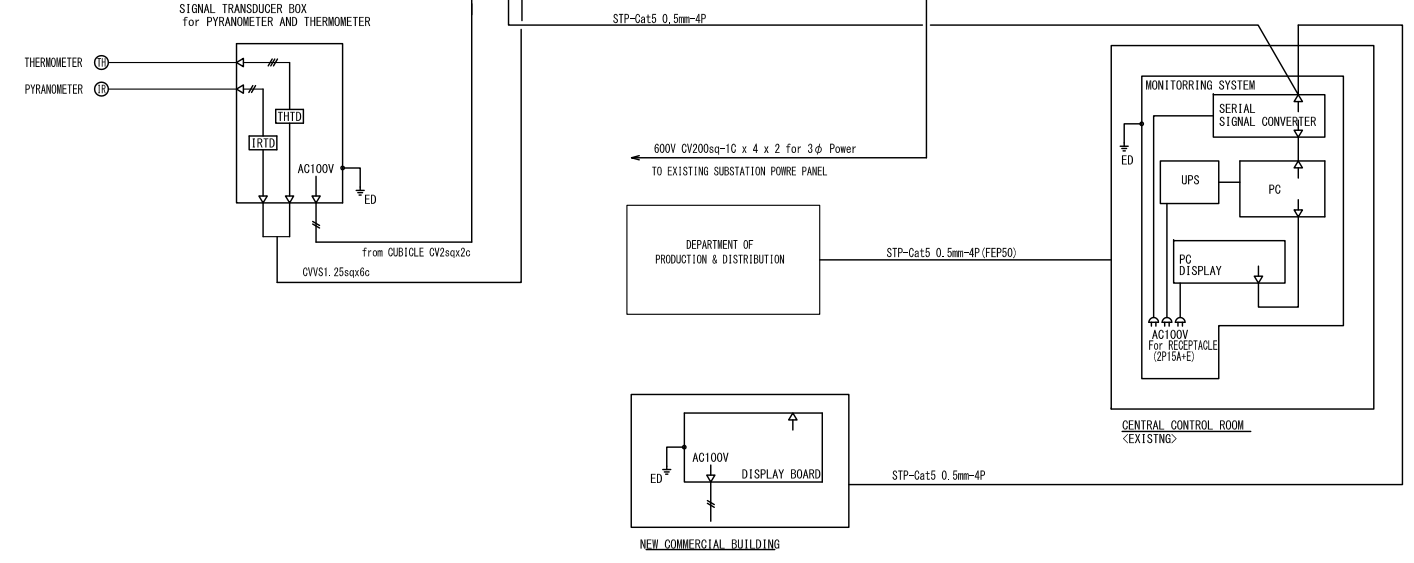
圖 面





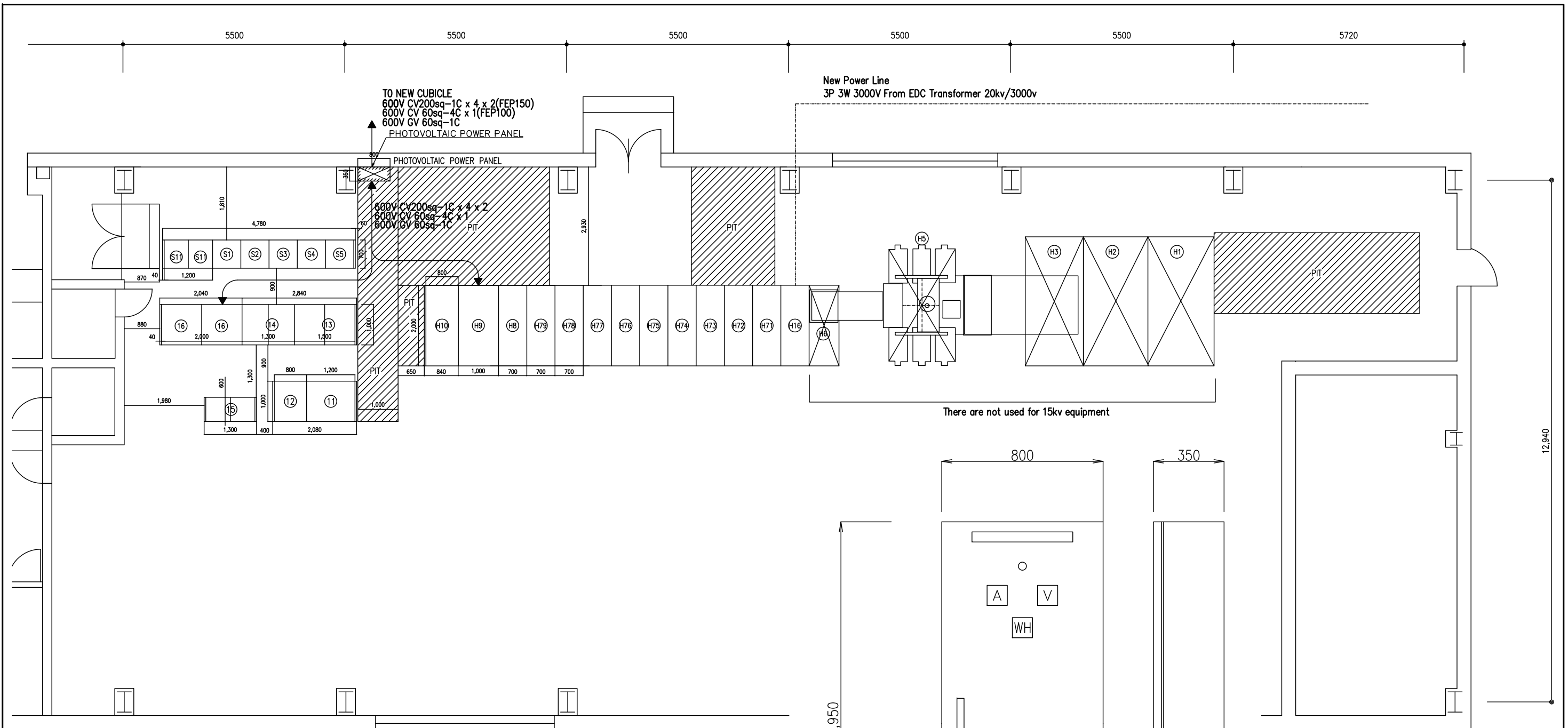
LEGEND

SYMBOL	DESCRIPTION
BD	BLOCKING DEVICE
IRTID	TRANSDUCER for PYRANOMETER
MCCB	CIRCUIT BREAKER
OFR	OVERFREQUENCY RELAY
OVR	OVERVOLTAGE RELAY
PV	PHOTOVOLTAIC ARRAY
THTD	TRANSDUCER for THERMOMETER
Tr	TRANSFORMER
UFR	UNDERFREQUENCY RELAY
UPS	UNINTERRUPTIBLE POWER SUPPLY
UVR	UNDERVOLTAGE RELAY
SPD	SURGE PROTECTIVE DEVICE



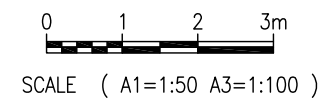
JAPAN INTERNATIONAL COOPERATION AGENCY

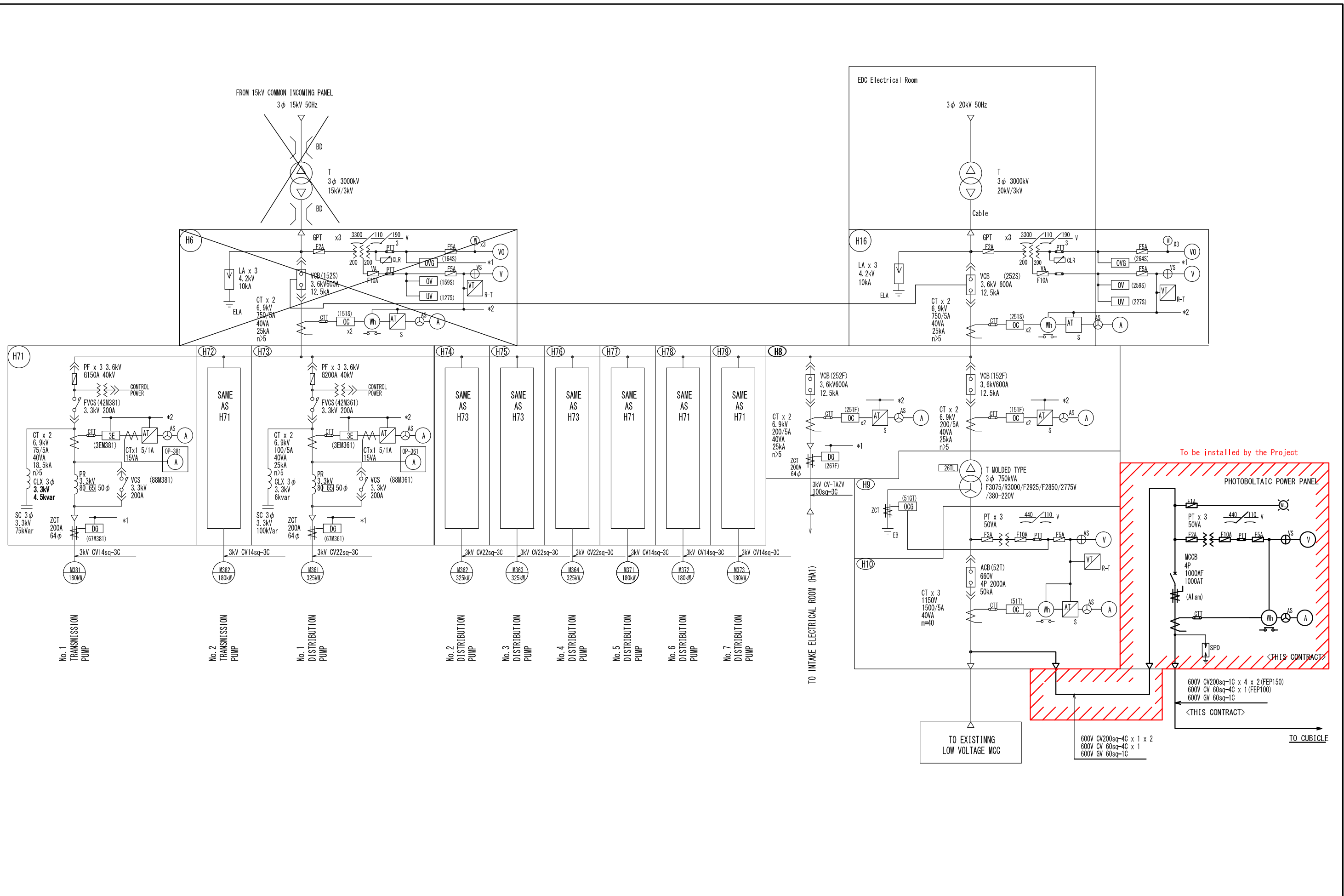
PROJECT	COUNTRY	SHEET CONTENTS	DRAWING NO.
Preparatory Survey on the Project for Clean Energy Promotion Using Solar Photovoltaic System	The Kingdom of Cambodia	SINGLE LINE DIAGRAM FOR PHOTOVOLTAIC POWER PANEL (Scale: NONE)	PPWSA-01-02N



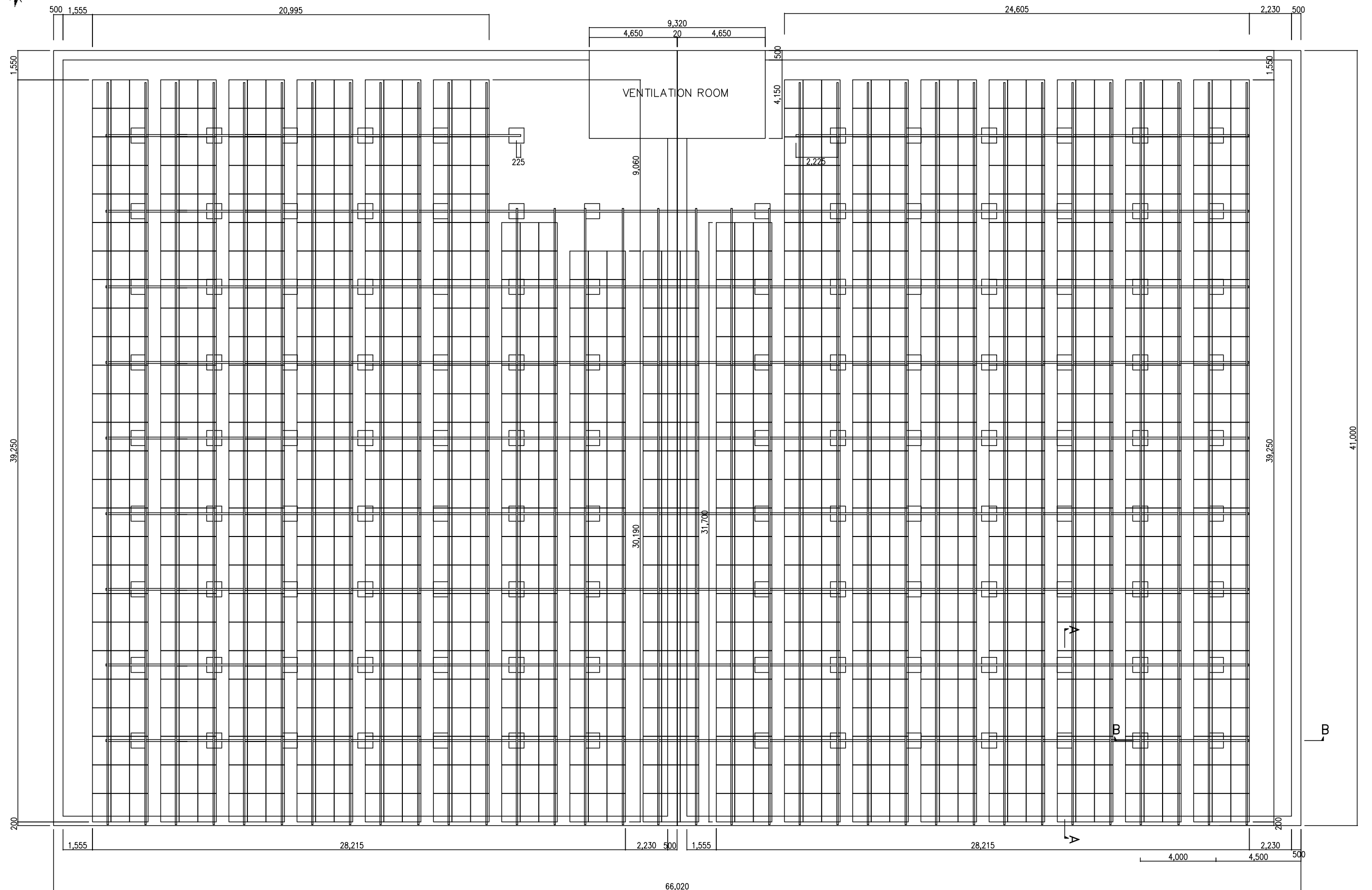
MAIN SUBSTATION

No.	DESCRIPTION	No.	DESCRIPTION	No.	DESCRIPTION
H1	Not Used 15KV INCOMING PANEL	H76	No.4 DISTRIBUTION PUMP PANEL (3KV)	13	MOTOR CONTROL (1) PANEL
H2	Not Used 15KV PANEL	H77	No.5 DISTRIBUTION PUMP PANEL (3KV)	14	MOTOR CONTROL (2) PANEL
H3	Not Used 15KV SERVICE PANEL	H78	No.6 DISTRIBUTION PUMP PANEL (3KV)	15	STORAGE BATTERY SYSTEM
H5	Not Used TRANSFORMER (NORMAL LINE)	H79	No.7 DISTRIBUTION PUMP PANEL (3KV)	16	MOTOR CONTROL (3) PANEL
H6	Not Used 3KV INCOMING PANEL (NORMAL LINE)	H8	SERVICE TRANSFORMER SWITCH AND INTAKE PUMP FACILITIES FEEDER	S1	LOCAL RELAY PANEL (1) (LRP-S1)
H16	3KV INCOMING PANEL (SPARE LINE)	H9	750KVA TRANSFORMER PANEL	S2	LOCAL RELAY PANEL (2) (LRP-S2)
H71	No.1 TRANSMISSION PUMP PANEL (3KV)	H10	LOW VOLTAGE PANEL	S3	LOCAL RELAY PANEL (3) (LRP-S3)
H72	No.2 TRANSMISSION PUMP PANEL (3KV)			S4	LOCAL RELAY PANEL (4) (LRP-S4)
H73	No.1 DISTRIBUTION PUMP PANEL (3KV)			S5	LOCAL RELAY PANEL (5) (LRP-S5)
H74	No.2 DISTRIBUTION PUMP PANEL (3KV)	11	DISTRIBUTION PLANT POWER PANEL	S11	SUBSTATION RELAY PANEL (LRP-S11)
H75	No.3 DISTRIBUTION PUMP PANEL (3KV)	12	DISTRIBUTION BUILDING POWER PANEL		





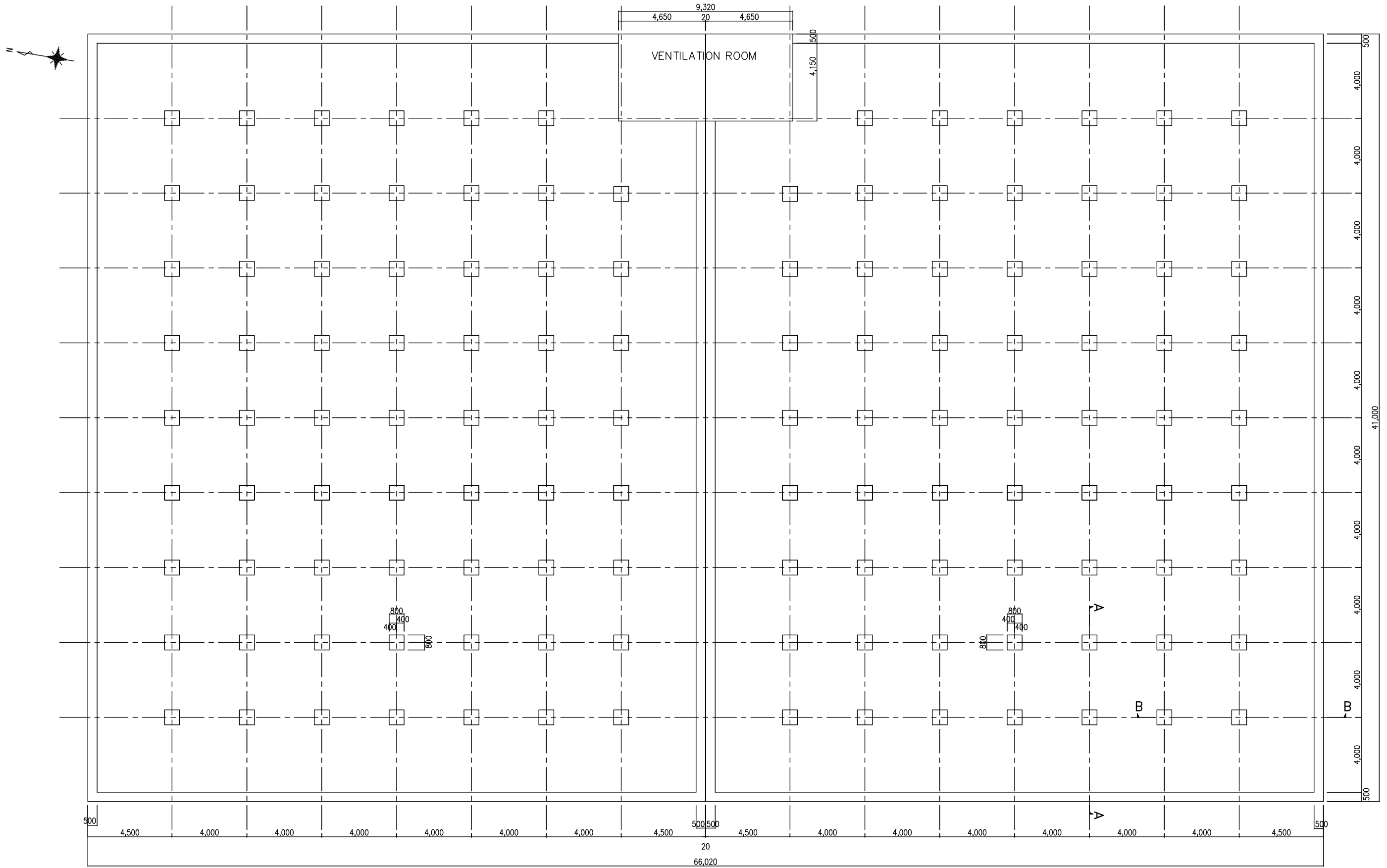
ROOFTOP OF No.2 DISTRIBUTION RESERVOIR




JAPAN INTERNATIONAL COOPERATION AGENCY

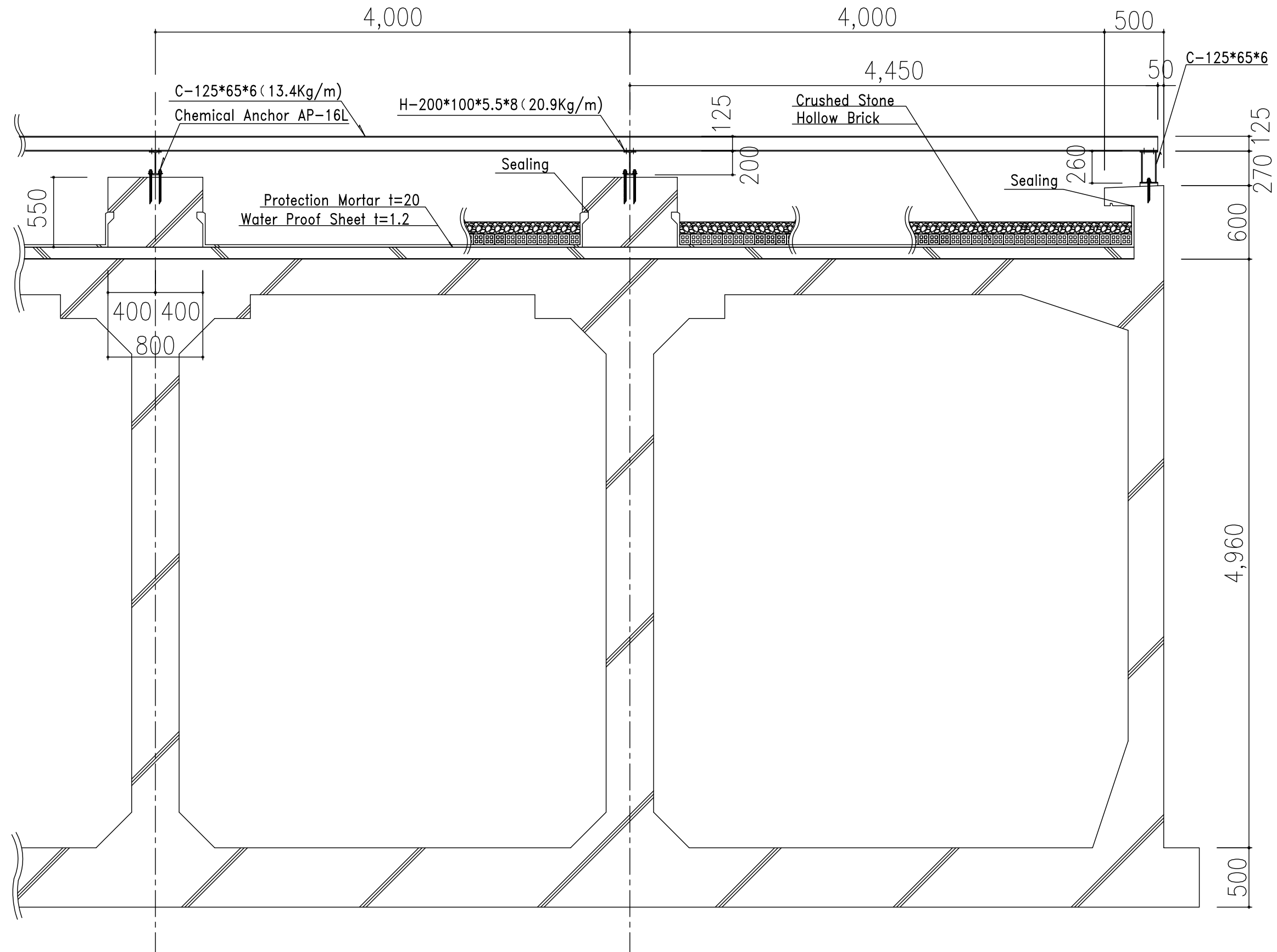
PROJECT	COUNTRY	SHEET CONTENTS	DRAWING NO.
Preparatory Survey on the Project for Clean Energy Promotion Using Solar Photovoltaic System	The Kingdom of Cambodia	LAYOUT PLAN OF INSTALLATION FRAME AND SOLAR ARRAY No. 2 DISTRIBUTION RESERVOIR (Scale: 1/200)	PPWSA-02-01

ROOFTOP OF No.2 DISTRIBUTION RESERVOIR



 JAPAN INTERNATIONAL COOPERATION AGENCY	PROJECT	COUNTRY	SHEET CONTENTS	DRAWING NO.
	Preparatory Survey on the Project for Clean Energy Promotion Using Solar Photovoltaic System	The Kingdom of Cambodia	LAYOUT PLAN OF FOUNDATION FOR INSTALLATION FRAME No.2 DISTRIBUTION RESERVOIR (Scale: 1/200)	PPWSA-02-03

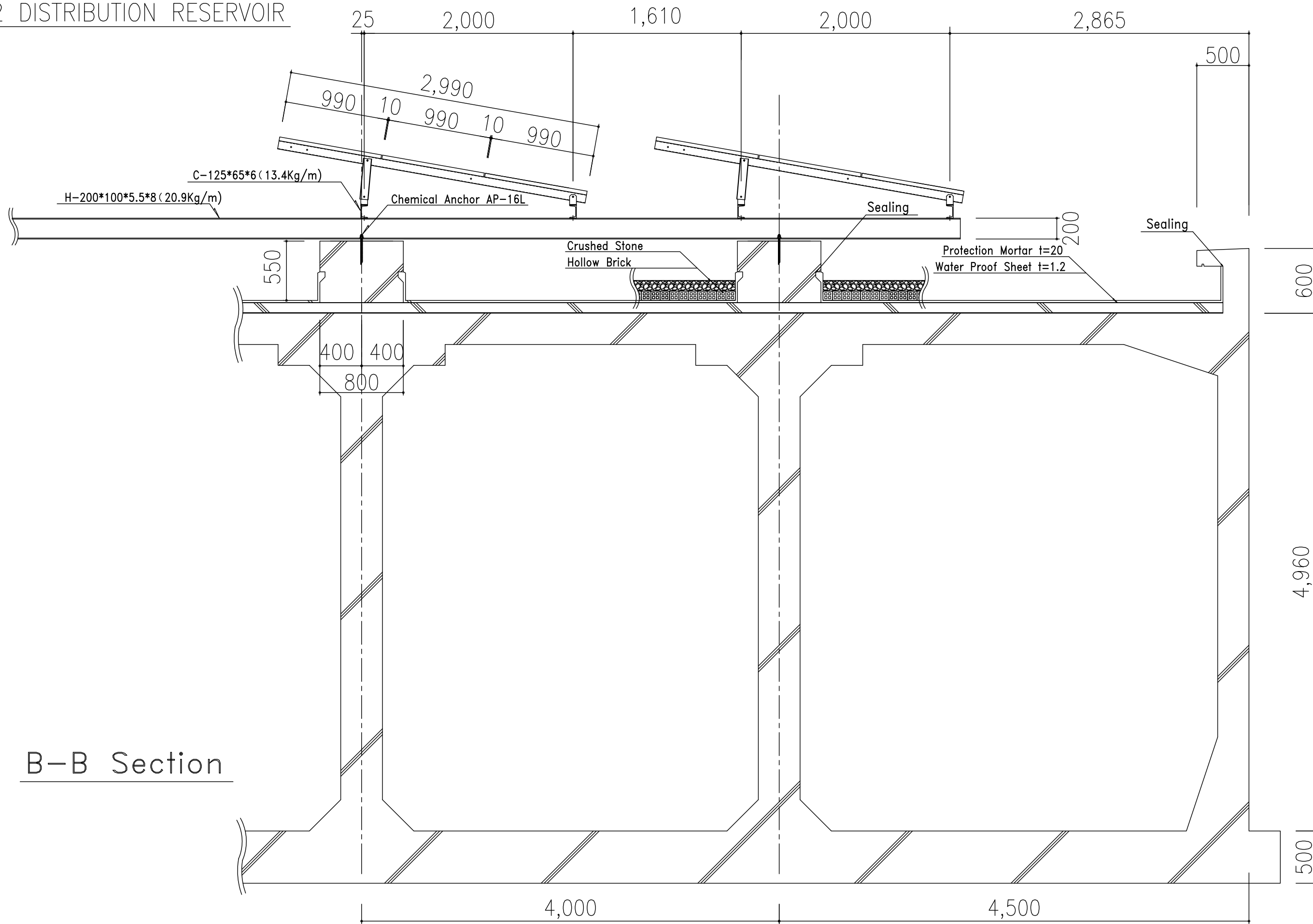
No.2 DISTRIBUTION RESEVOIR



JAPAN INTERNATIONAL COOPERATION AGENCY

PROJECT	COUNTRY	SHEET CONTENTS	DRAWING NO.
Preparatory Survey on the Project for Clean Energy Promotion Using Solar Photovoltaic System	The Kingdom of Cambodia	DETAIL OF INSTALLATION FRAME SECTION A-A No.2 DISTRIBUTION RESERVOIR (Scale: 1/35)	PPWSA-02-04

No.2 DISTRIBUTION RESERVOIR



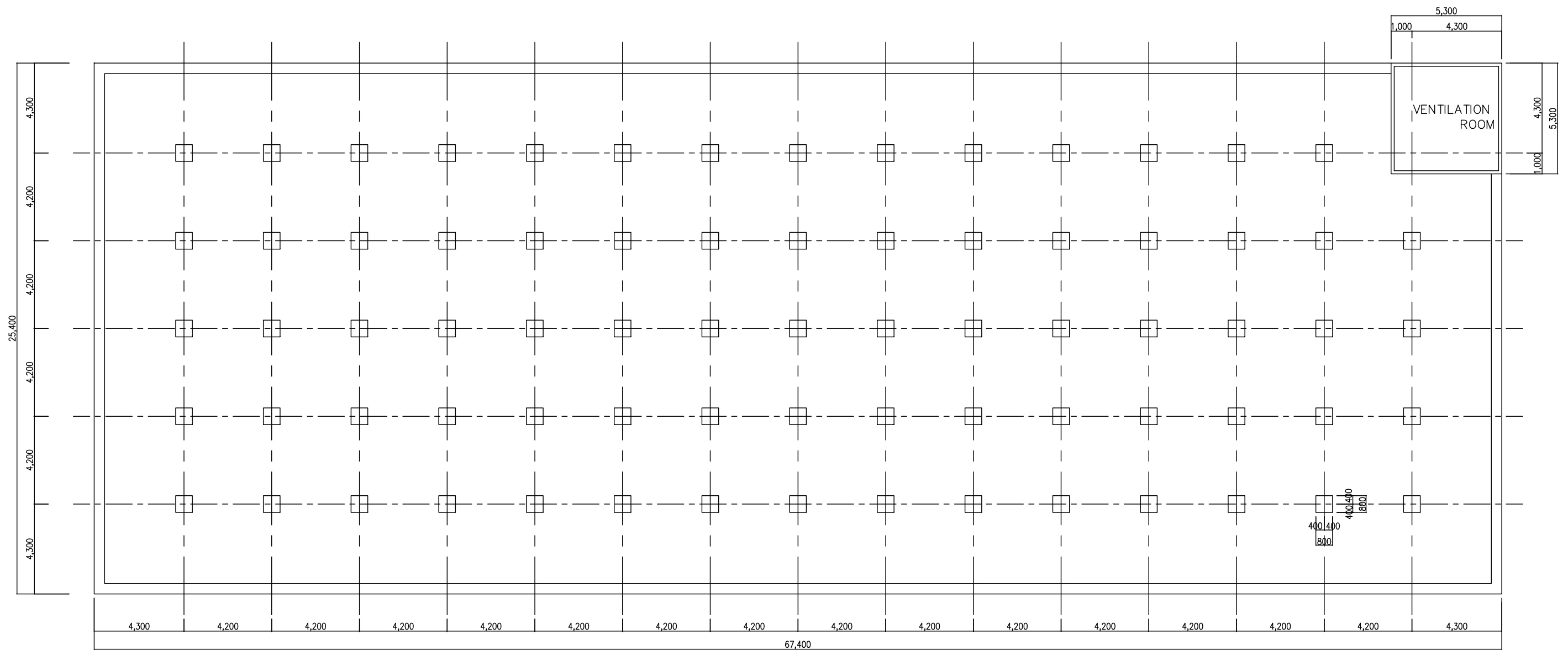
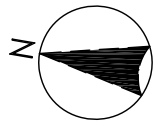
B-B Section



JAPAN INTERNATIONAL COOPERATION AGENCY

PROJECT	COUNTRY	SHEET CONTENTS	DRAWING NO.
Preparatory Survey on the Project for Clean Energy Promotion Using Solar Photovoltaic System	The Kingdom of Cambodia	DETAIL OF INSTALLATION FRAME SECTION B-B No.2 DISTRIBUTION RESERVOIR (Scale: 1/35)	PPWSA-02-05

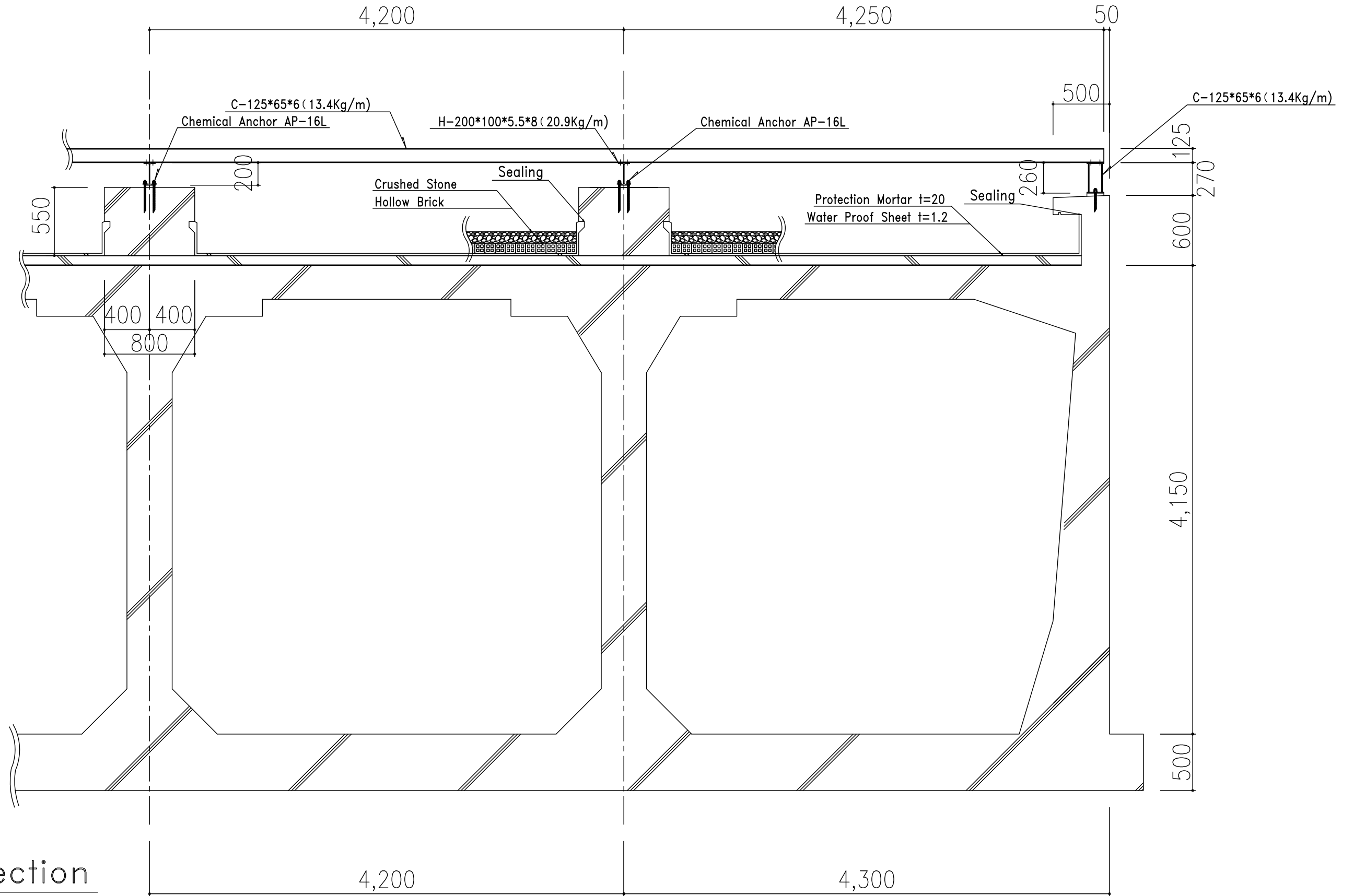
ROOFTOP OF No.3 DISTRIBUTION RESERVOIR




JAPAN INTERNATIONAL COOPERATION AGENCY

PROJECT	COUNTRY	SHEET CONTENTS	DRAWING NO.
Preparatory Survey on the Project for Clean Energy Promotion Using Solar Photovoltaic System	The Kingdom of Cambodia	LAYOUT PLAN OF FOUNDATION FOR INSTALLATION FRAME No.3 DISTRIBUTION RESERVOIR (Scale: 1/200)	PPWSA-03-03

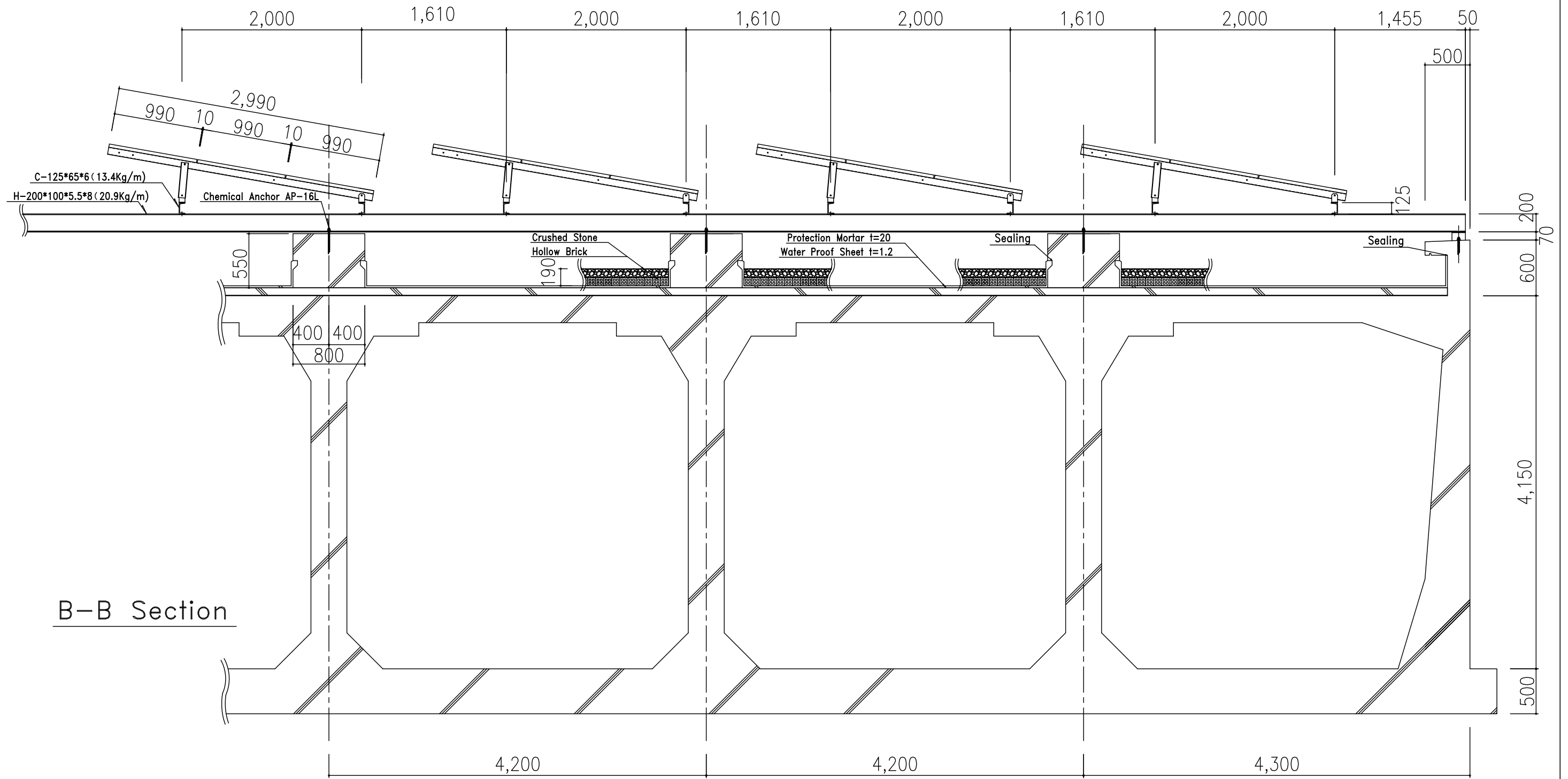
No.3 DISTRIBUTION RESERVOIR



A-A Section

 JAPAN INTERNATIONAL COOPERATION AGENCY	PROJECT	COUNTRY	SHEET CONTENTS	DRAWING NO.
	Preparatory Survey on the Project for Clean Energy Promotion Using Solar Photovoltaic System	The Kingdom of Cambodia	DETAIL OF INSTALLATION FRAME SECTION A-A No. 3 DISTRIBUTION RESERVOIR (Scale: 1/35)	PPWSA-03-04

No.3 DISTRIBUTION RESERVOIR

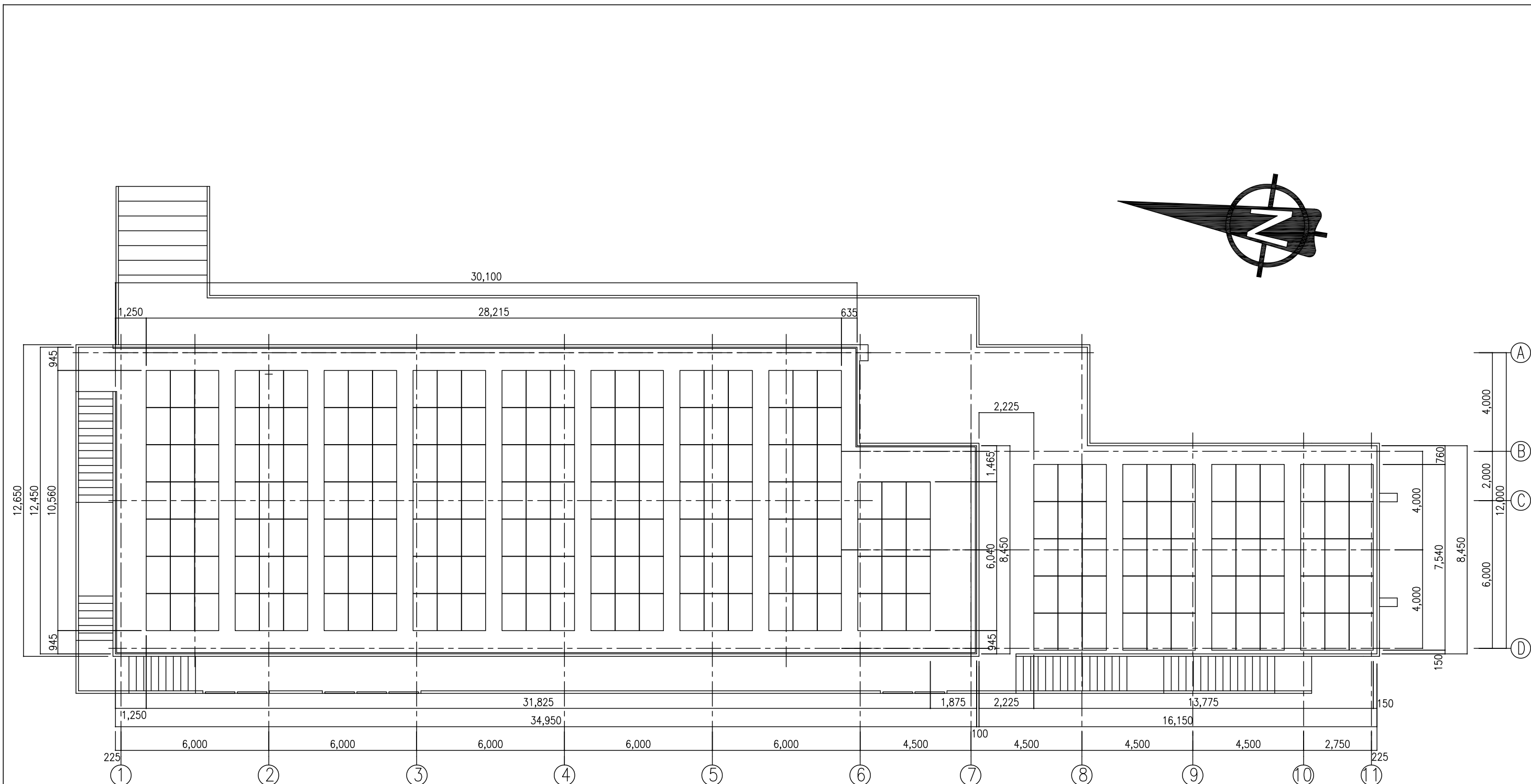


B-B Section



JAPAN INTERNATIONAL COOPERATION AGENCY

PROJECT	COUNTRY	SHEET CONTENTS	DRAWING NO.
Preparatory Survey on the Project for Clean Energy Promotion Using Solar Photovoltaic System	The Kingdom of Cambodia	DETAIL OF INSTALLATION FRAME SECTION B-B No. 3 DISTRIBUTION RESERVOIR (Scale: 1/45)	PPWSA-03-05

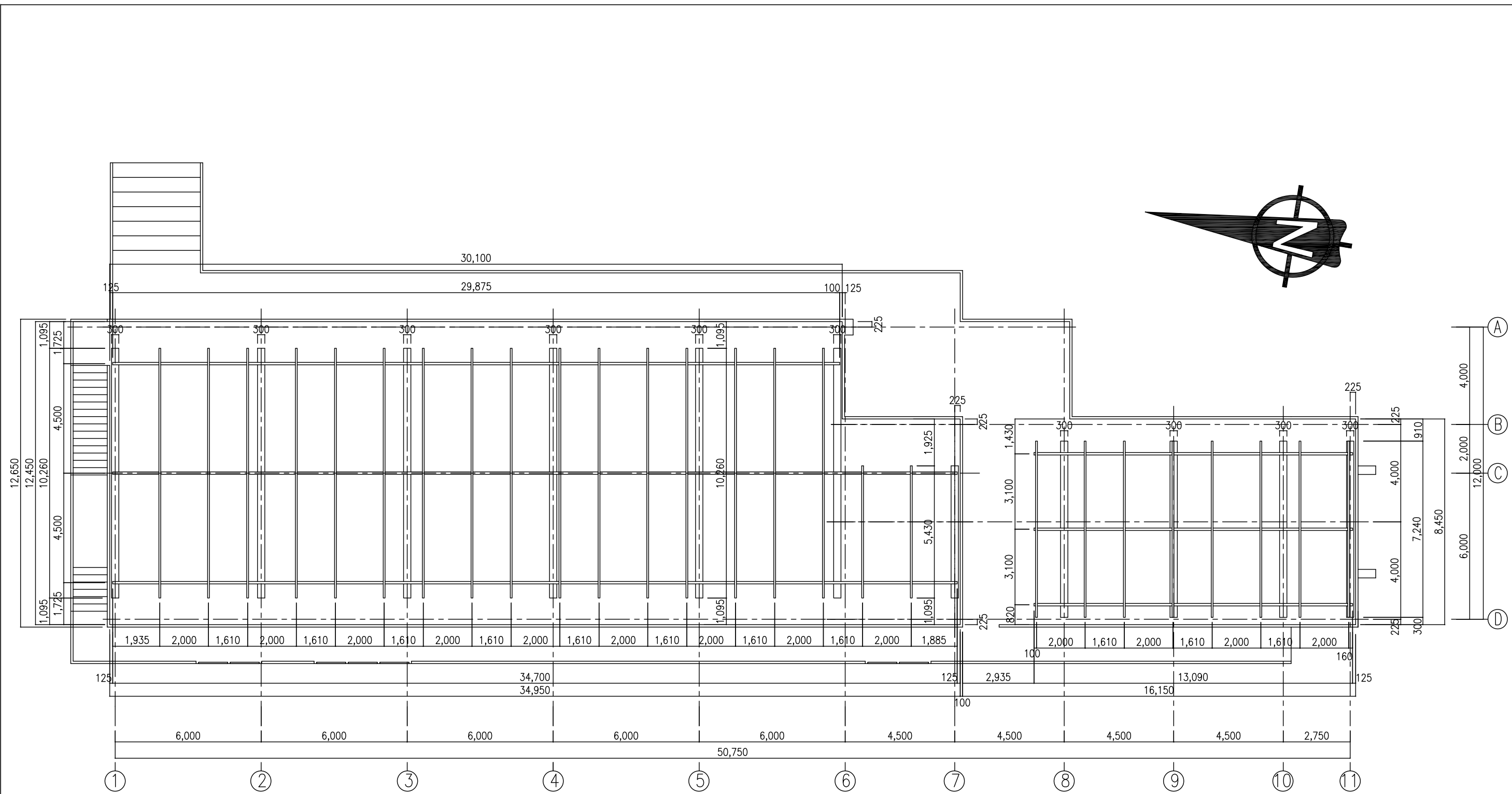


PANEL LAYOUT PLAN



JAPAN INTERNATIONAL COOPERATION AGENCY

PROJECT	COUNTRY	SHEET CONTENTS	DRAWING NO.
Preparatory Survey on the Project for Clean Energy Promotion Using Solar Photovoltaic System	The Kingdom of Cambodia	LAYOUT PLAN OF INSTALLATION FRAME AND SOLAR ARRAY CHEMICAL FEEDING BUILDING & STORAGE (Scale: As shown)	PPWSA-04-01

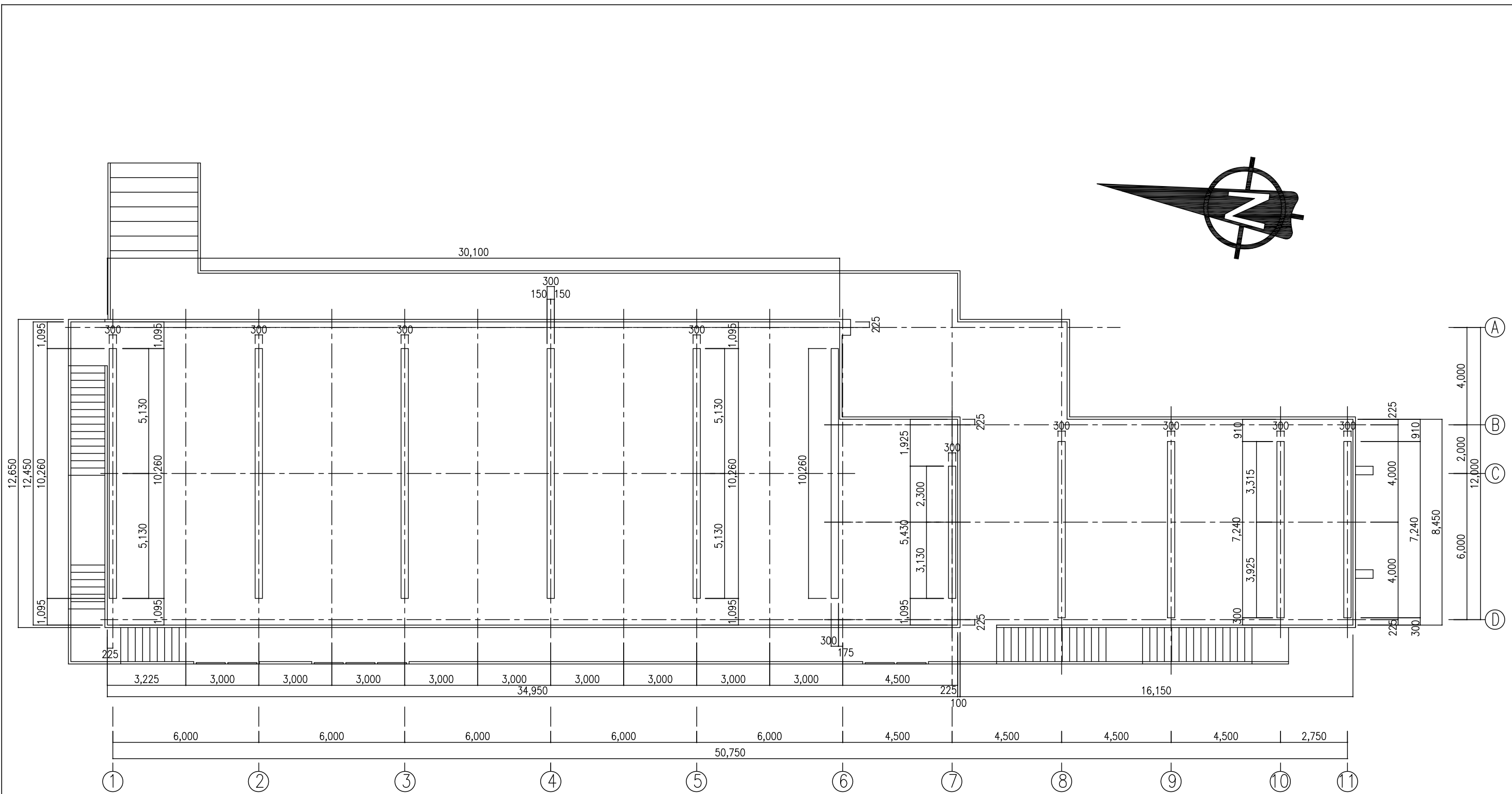


LAYOUT PLAN OF INSTALLATION FRAME



JAPAN INTERNATIONAL COOPERATION AGENCY

PROJECT	COUNTRY	SHEET CONTENTS	DRAWING NO.
Preparatory Survey on the Project for Clean Energy Promotion Using Solar Photovoltaic System	The Kingdom of Cambodia	LAYOUT PLAN OF INSTALLATION FRAME FOR SOLAR MODULE CHEMICAL FEEDING BUILDING & STORAGE (Scale: As shown)	PPWSA-04-02



LAYOUT PLAN OF FOUNDATION FOR INSTALLATION FRAME

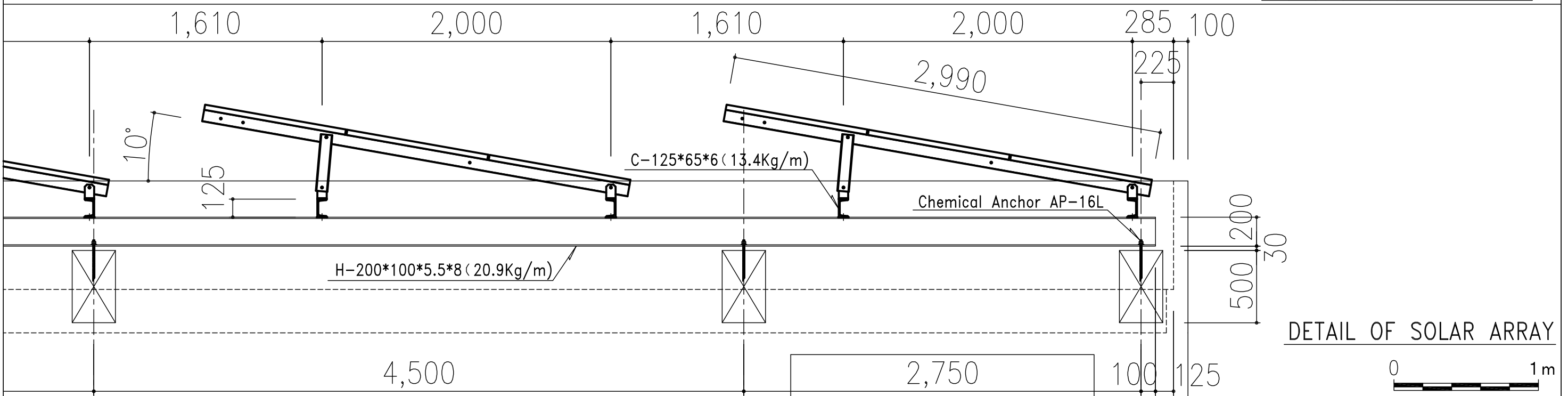
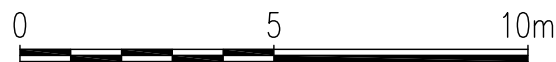


JAPAN INTERNATIONAL COOPERATION AGENCY

PROJECT	COUNTRY	SHEET CONTENTS	DRAWING NO.
Preparatory Survey on the Project for Clean Energy Promotion Using Solar Photovoltaic System	The Kingdom of Cambodia	LAYOUT PLAN OF FOUNDATION FOR INSTALLATION FRAME CHEMICAL FEEDING BUILDING & STORAGE (Scale: As shown)	PPWSA-04-03




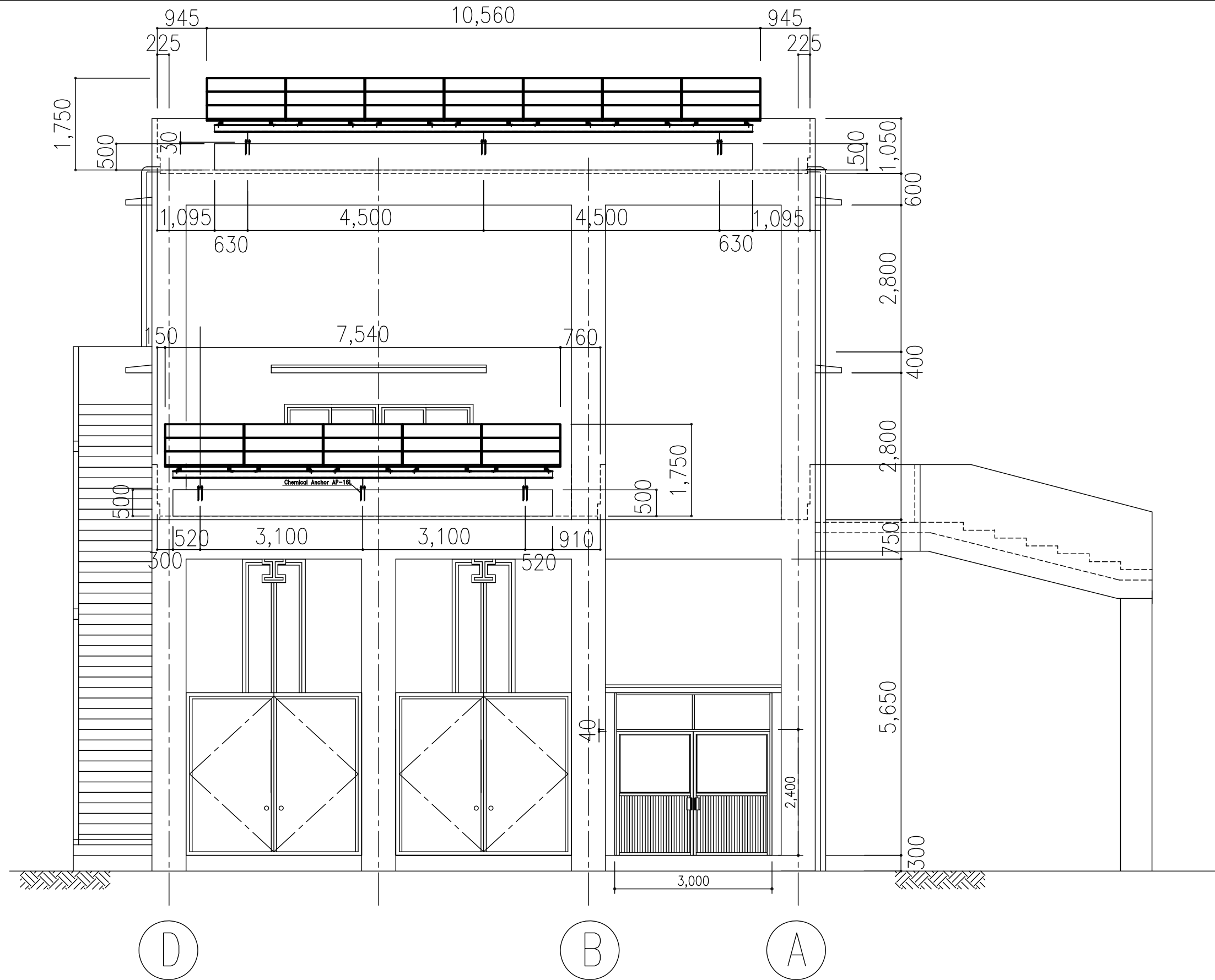
WEST SIDE ELEVATION



DETAIL OF SOLAR ARRAY



 JAPAN INTERNATIONAL COOPERATION AGENCY	PROJECT	COUNTRY	SHEET CONTENTS	DRAWING NO.
	Preparatory Survey on the Project for Clean Energy Promotion Using Solar Photovoltaic System	The Kingdom of Cambodia	WEST SIDE ELEVATION AND DETAIL OF SOLAR ARRAY CHEMICAL FEEDING BUILDING & STORAGE (Scale: As shown)	PPWSA-04-04

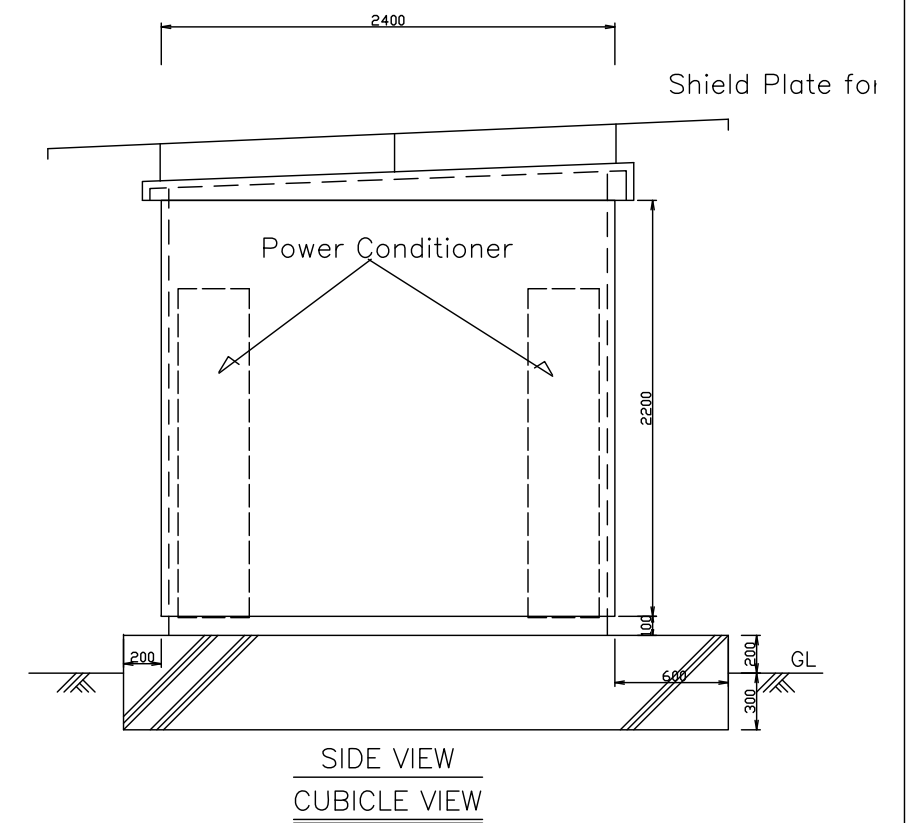
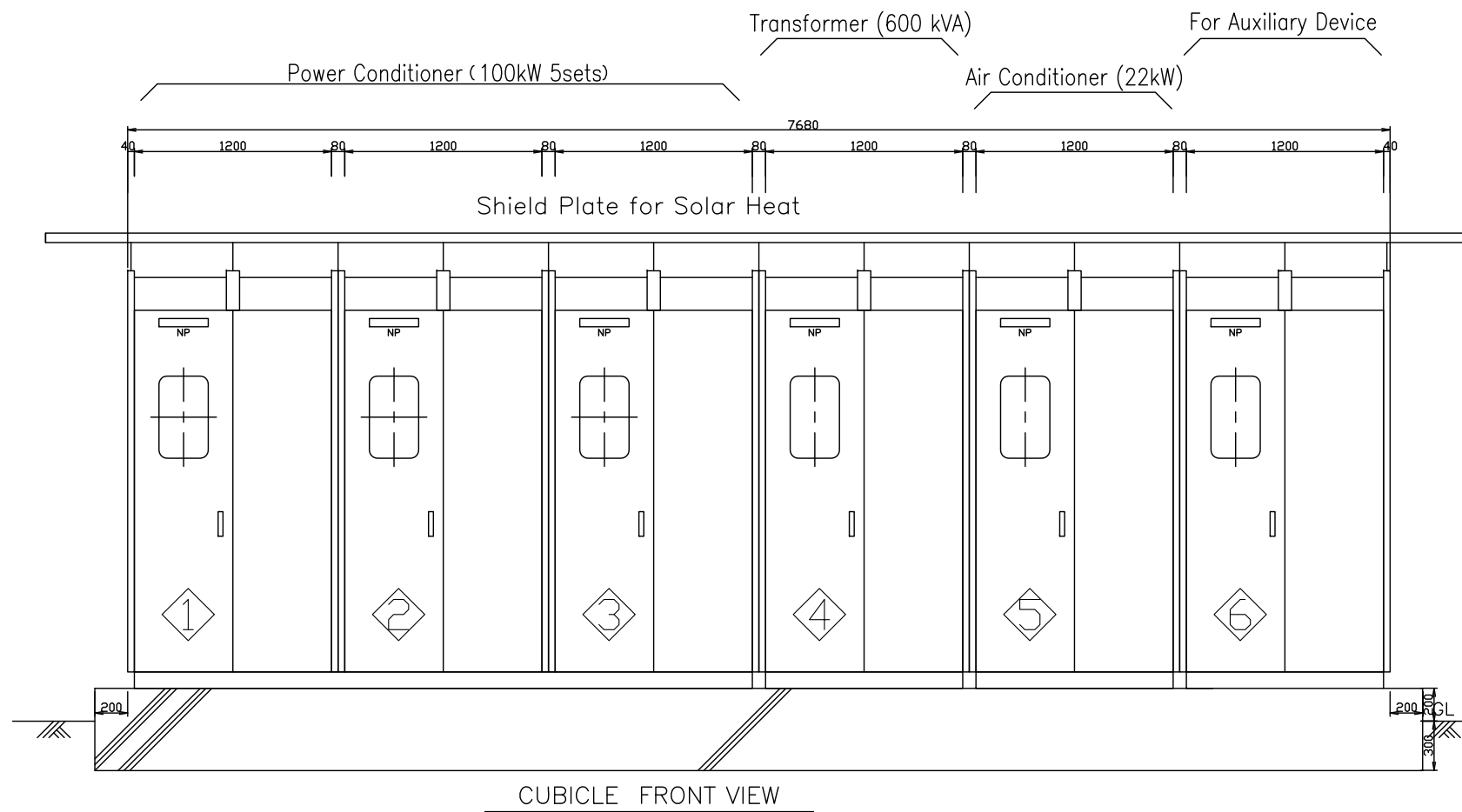


SOUTH SIDE ELEVATION



JAPAN INTERNATIONAL COOPERATION AGENCY

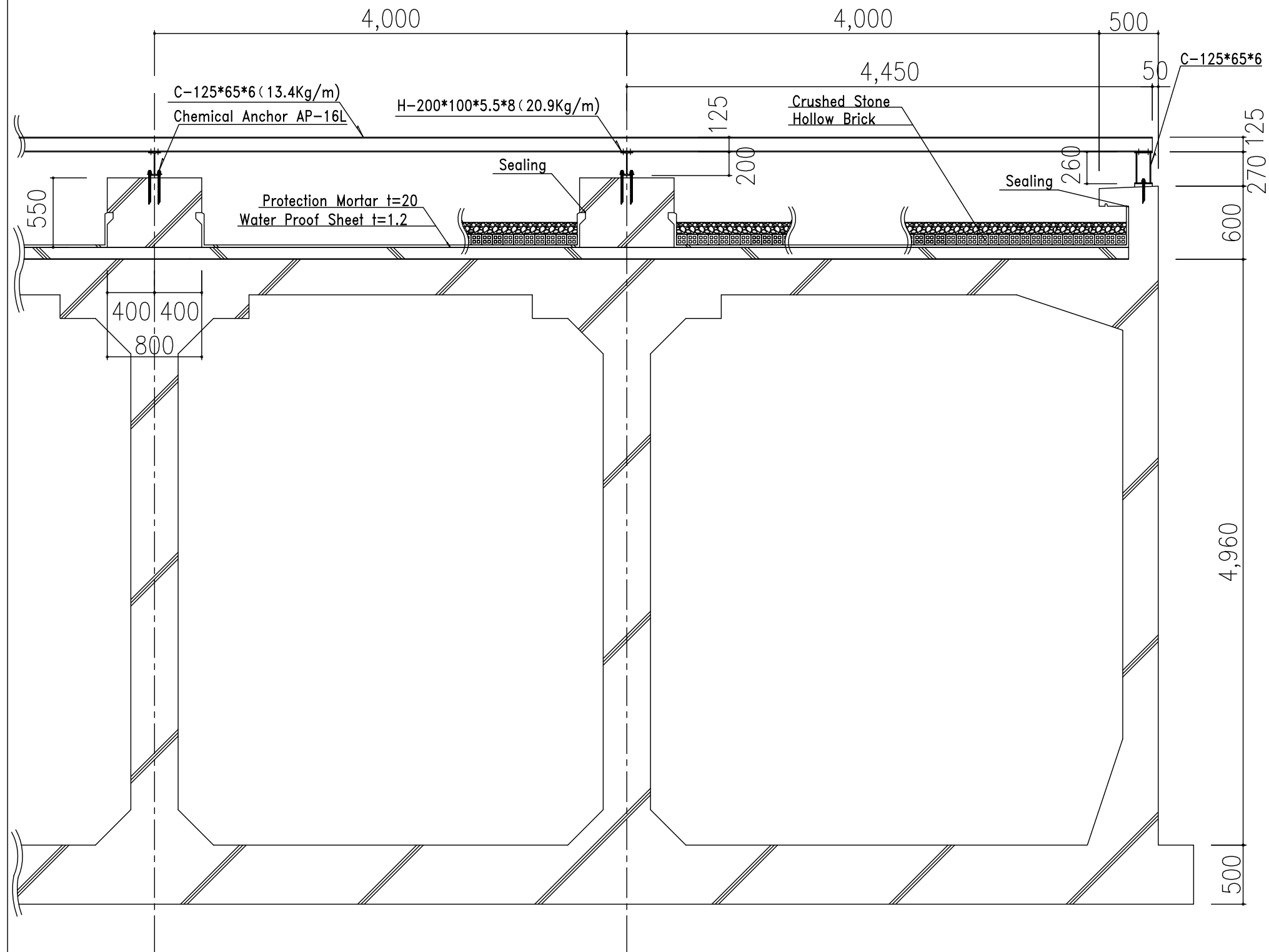
PROJECT	COUNTRY	SHEET CONTENTS	DRAWING NO.
Preparatory Survey on the Project for Clean Energy Promotion Using Solar Photovoltaic System	The Kingdom of Cambodia	SOUTH SIDE ELEVATION CHEMICAL FEEDING BUILDING & STORAGE (Scale: As shown)	PPWSA-04-05



JAPAN INTERNATIONAL COOPERATION AGENCY

PROJECT	COUNTRY	SHEET CONTENTS	DRAWING NO.
Preparatory Survey on the Project for Clean Energy Promotion Using Solar Photovoltaic System	The Kingdom of Cambodia	Detail of Power Conditioner (Scale: S=1:40)	PPWSA-05-01

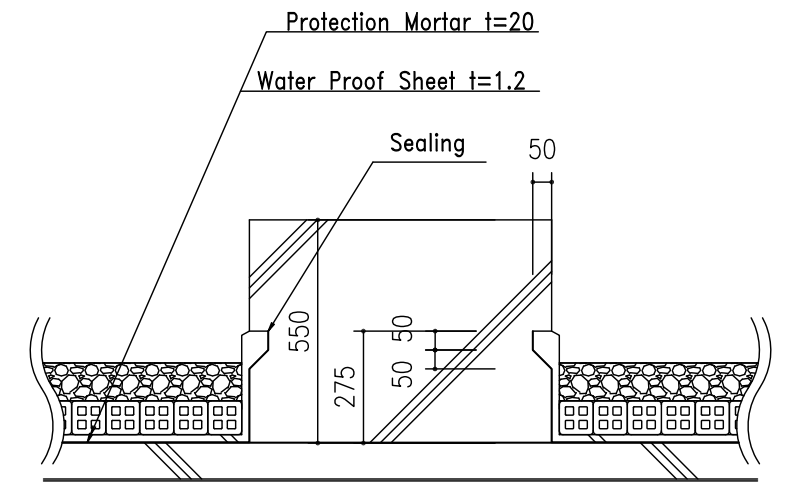
No.2 DISTRIBUTION RESERVOIR Scale 1/40



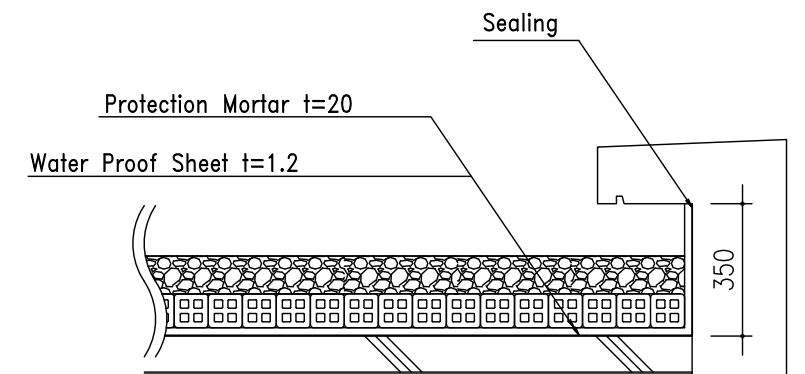
A-A Section

Detail of Water Proofing Work Scale 1/20

(Foundation Concrete)



(Parapet Wall)



JAPAN INTERNATIONAL COOPERATION AGENCY

PROJECT	COUNTRY	SHEET CONTENTS	DRAWING NO.
Preparatory Survey on the Project for Clean Energy Promotion Using Solar Photovoltaic System	The Kingdom of Cambodia	DETAIL OF Water Proofing Works No.2 DISTRIBUTION RESERVOIR (Scale: 1/40, 1/20)	PPWSA-05-02