

**REPUBLIC OF UGANDA
MINISTRY OF WORKS AND TRANSPORT
(MOWT)**

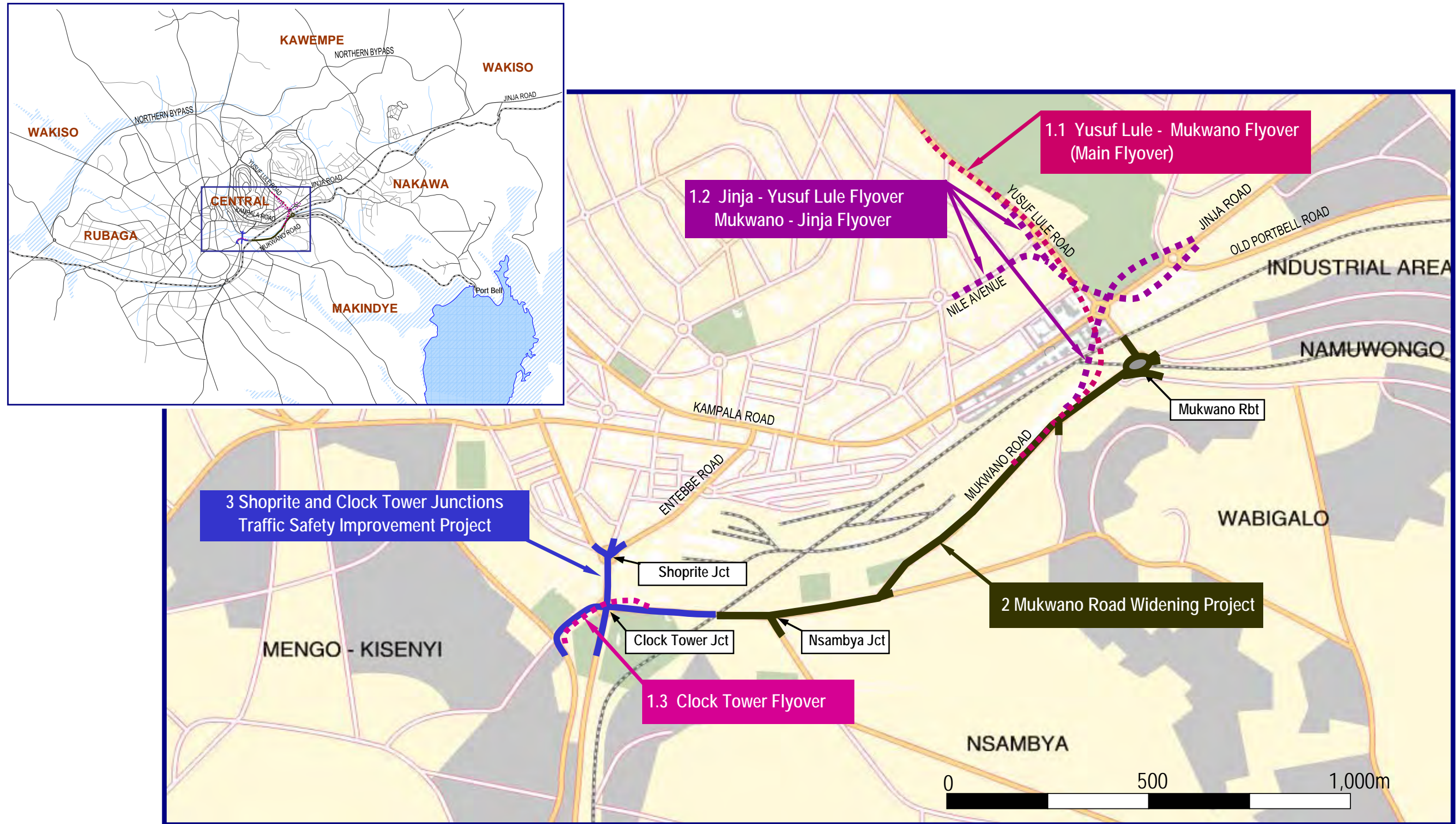
**THE STUDY ON
GREATER KAMPALA
ROAD NETWORK AND
TRANSPORT IMPROVEMENT
IN THE REPUBLIC OF UGANDA**

**FINAL REPORT
VOLUME II DRAWINGS FOR PRE-FEASIBILITY STUDY
NOVEMBER 2010**

JAPAN INTERNATIONAL COOPERATION AGENCY (JICA)

**NIPPON KOEI CO., LTD.
EIGHT-JAPAN ENGINEERING CONSULTANTS INC.**

LOCATION MAP



CONTENTS OF DRAWINGS

PROJECT 1 JINJA JUNCTION FLYOVER (VIADUCT) CONSTRUCTION PROJECT

DRAWING TITLE	SHEET NO
1-1 YUSUF LULE AND MUKWANO ROADS FLYOVER	
GENERAL PLAN OF FLYOVER (1) – (2)	1-1 (1) – (2)
GENERAL LAYOUT & CROSS SECTION Y-M FLYOVER (1) – (6)	1-2 (1) – (6)
1-2 MUKWANO-JINJA, JINJA-YUSUF LULE, YUSUF LULE- NILE FLYOVERS	
GENERAL LAYOUT & CROSS SECTION M-J FLYOVER (1) – (2)	1-3 (1) – (2)
GENERAL LAYOUT & CROSS SECTION J-Y FLYOVER (1) – (3)	1-4 (1) – (3)
GENERAL LAYOUT & CROSS SECTION NILE AVENUE RAMP	1-5
1-3 CLOCK TOWER FLYOVER	
GENERAL PLAN OF FLYOVER CLOCK TOWER FLYOVER	1-6
GENERAL LAYOUT & CROSS SECTION CLOCK TOWER FLYOVER	1-7
EXISTING ROAD IMPROVEMENT PLAN	1-8 (1) – (2)

PROJECT 2 MUKWANO ROAD WIDENING PROJECT

DRAWING TITLE	SHEET NO
TYPICAL CROSS SECTIONS	2-1
PLAN AND PROFILE (1) – (4)	2-2 (1) – (4)

PROJECT 3 SHOPRITE AND CLOCK TOWER JUNCTIONS TRAFFIC SAFETY IMPROVEMENT PROJECT

DRAWING TITLE	SHEET NO
TYPICAL CROSS SECTIONS	3-1 (1) – (2)
GENERAL PLAN	3-2
ALIGNMENT PLAN	3-3 (1) – (2)
GENERAL PLAN OF PEDESTRIAN BRIDGE	3-4

PROJECT 1

JINJA JUNCTION FLYOVER (VIADUCT) CONSTRUCTION PROJECT

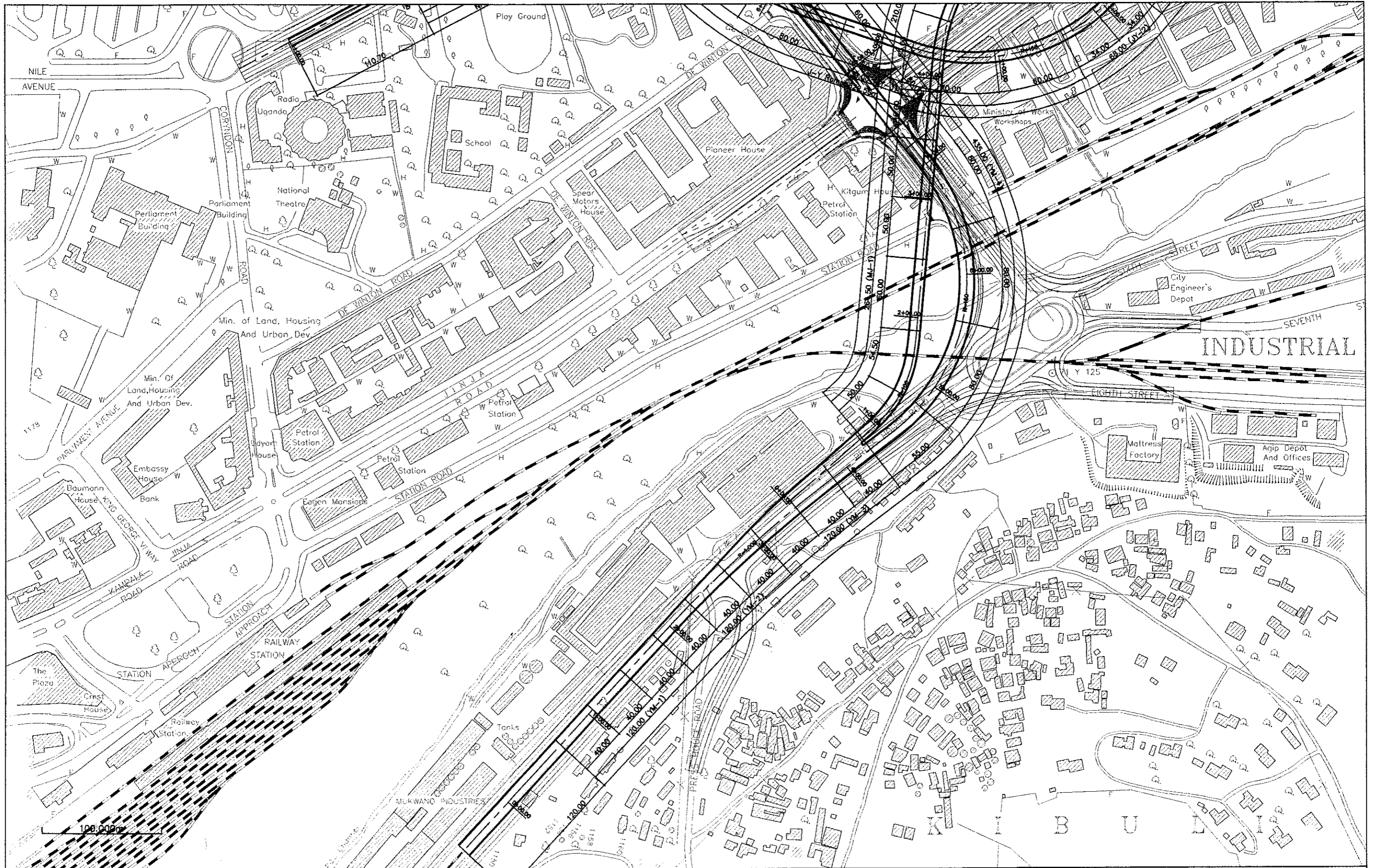


JAPAN INTERNATIONAL COOPERATION AGENCY

MINISTRY OF WORKS AND TRANSPORT

REMARKS:

The Study on Greater Kampala Road Network and Transport Improvement in the Republic of Uganda				DRAWING TITLE			
Nippon Koei Co., Ltd. Eight-Japan Engineering Consultants Inc.				GENERAL PLAN OF FLYOVER (Northern Area)			
	PREPARED BY	CHECKED BY	APPROVED BY	SCALE	SHEET NO.	DRAWING NO.	REV. NO.
NAME	T. Yoshida	S. Konda	H. Shinkai	1/3,000	1-1 (1)		
SIGNATURE							
DATE	2010/08/12	2010/08/14	2010/08/18				



JAPAN INTERNATIONAL COOPERATION AGENCY

MINISTRY OF WORKS AND TRANSPORT

REMARKS:

The Study on Greater Kampala Road Network and Transport Improvement
in the Republic of Uganda

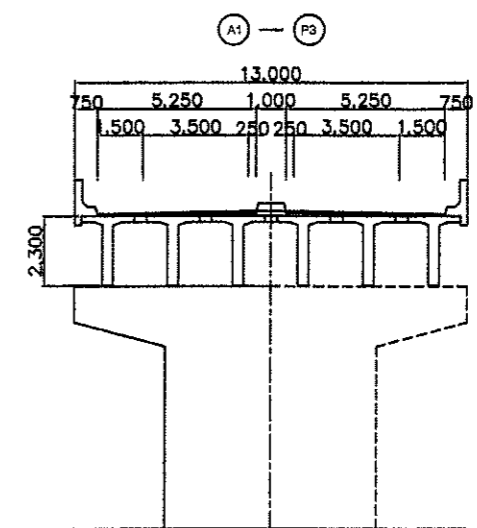
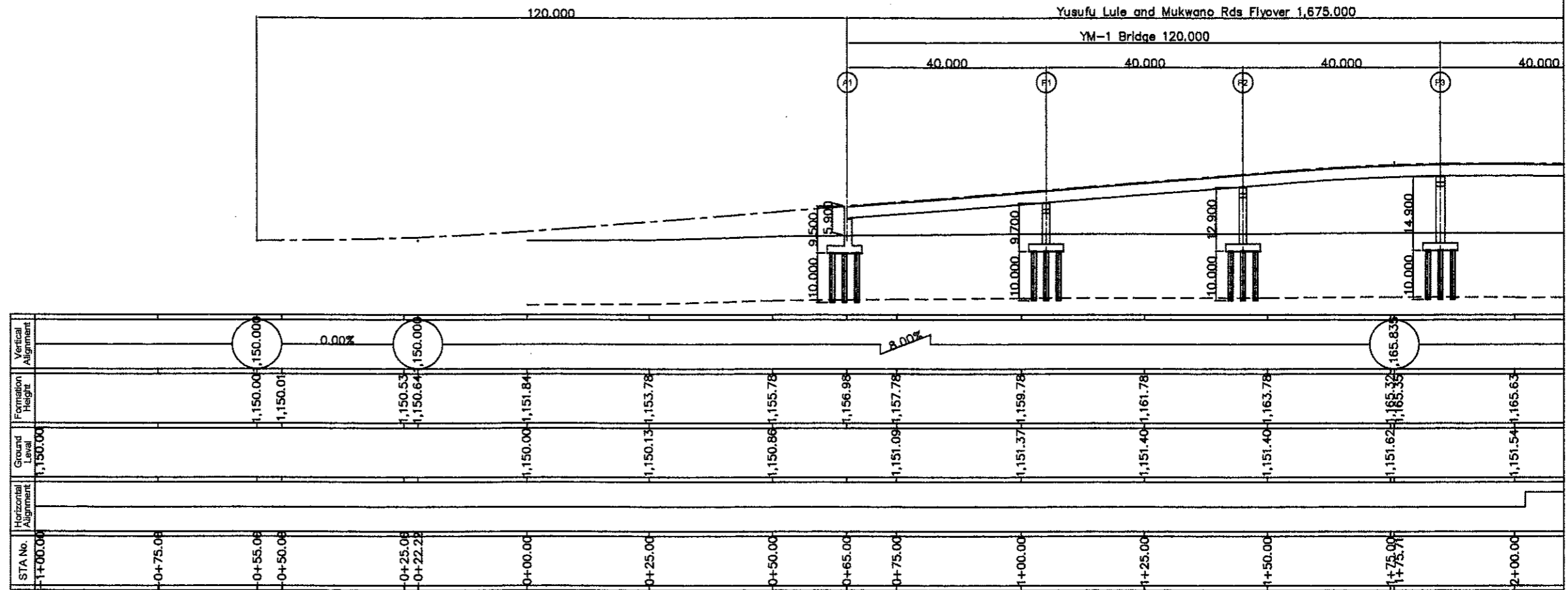
Nippon Koei Co., Ltd.
Eight-Japan Engineering Consultants Inc.

DRAWING TITLE

GENERAL PLAN OF FLYOVER
(Southern Area)

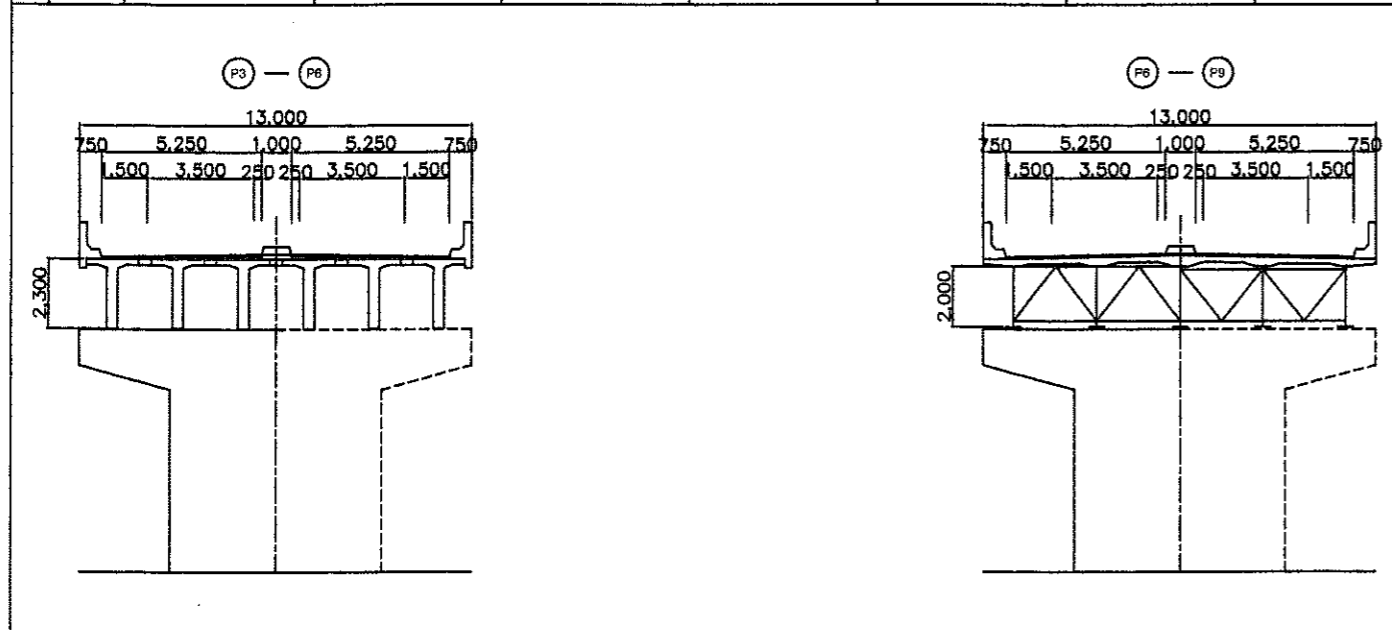
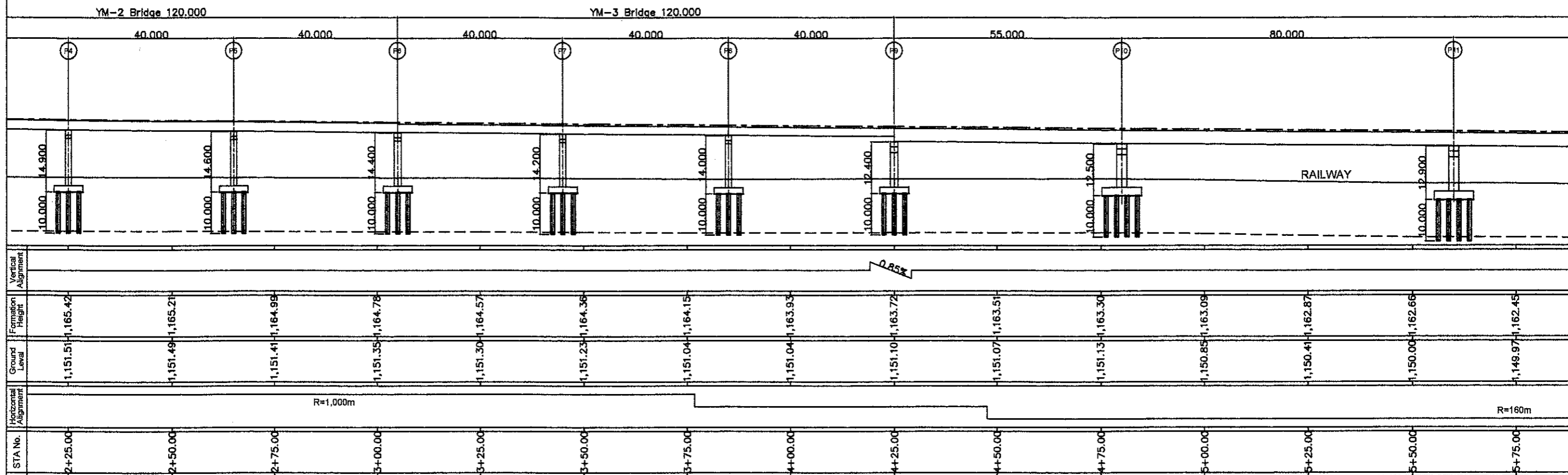
	PREPARED BY	CHECKED BY	APPROVED BY
NAME	T. Yoshida	S. Konda	H. Shinkai
SIGNATURE			
DATE	2010/08/12	2010/08/14	2010/08/18

SCALE	SHEET NO.	DRAWING NO.	REV. NO.
1/3,000	1-1 (2)		-



JAPAN INTERNATIONAL COOPERATION AGENCY	REMARKS:	The Study on Greater Kampala Road Network and Transport Improvement in the Republic of Uganda						
		Nippon Koel Co., Ltd. Eight-Japan Engineering Consultants Inc.		DRAWING TITLE GENERAL LAYOUT & CROSS SECTION Y-M Flyover (1/6)				
MINISTRY OF WORKS AND TRANSPORT		PREPARED BY	CHECKED BY	APPROVED BY	SCALE	SHEET NO.	DRAWING NO.	REV. NO.
		T. Yoshida	S. Konda	H. Shinkai	1:1,000	1-2 (1)		-
		DATE	2010/08/12	2010/08/14	2010/08/18			

Yusufu Lule and Mukawano Rds Flyover 1,675.000



JAPAN INTERNATIONAL COOPERATION AGENCY

MINISTRY OF WORKS AND TRANSPORT

REMARKS:

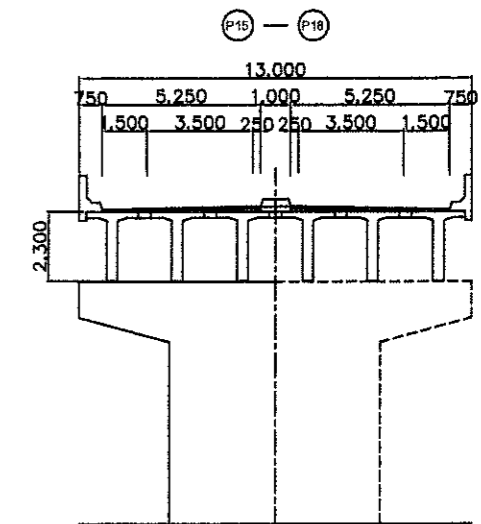
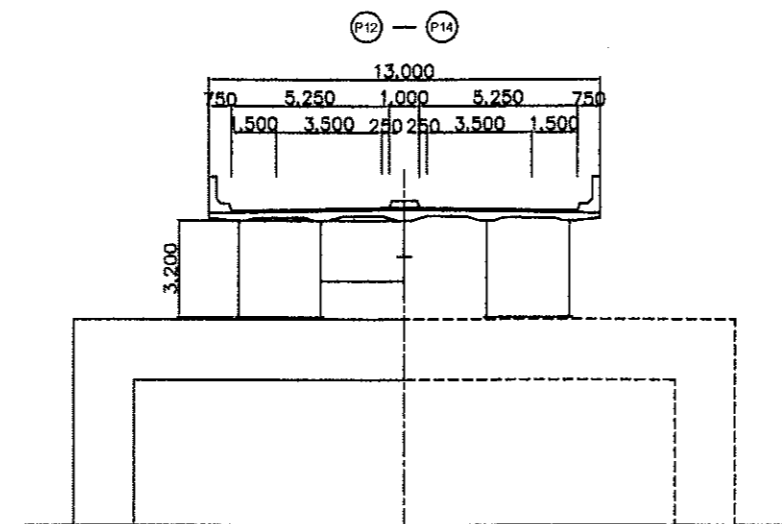
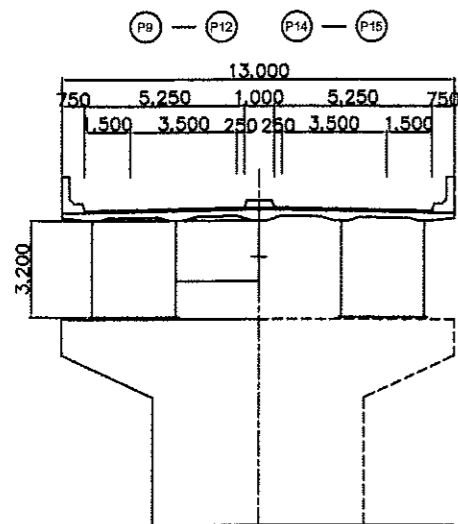
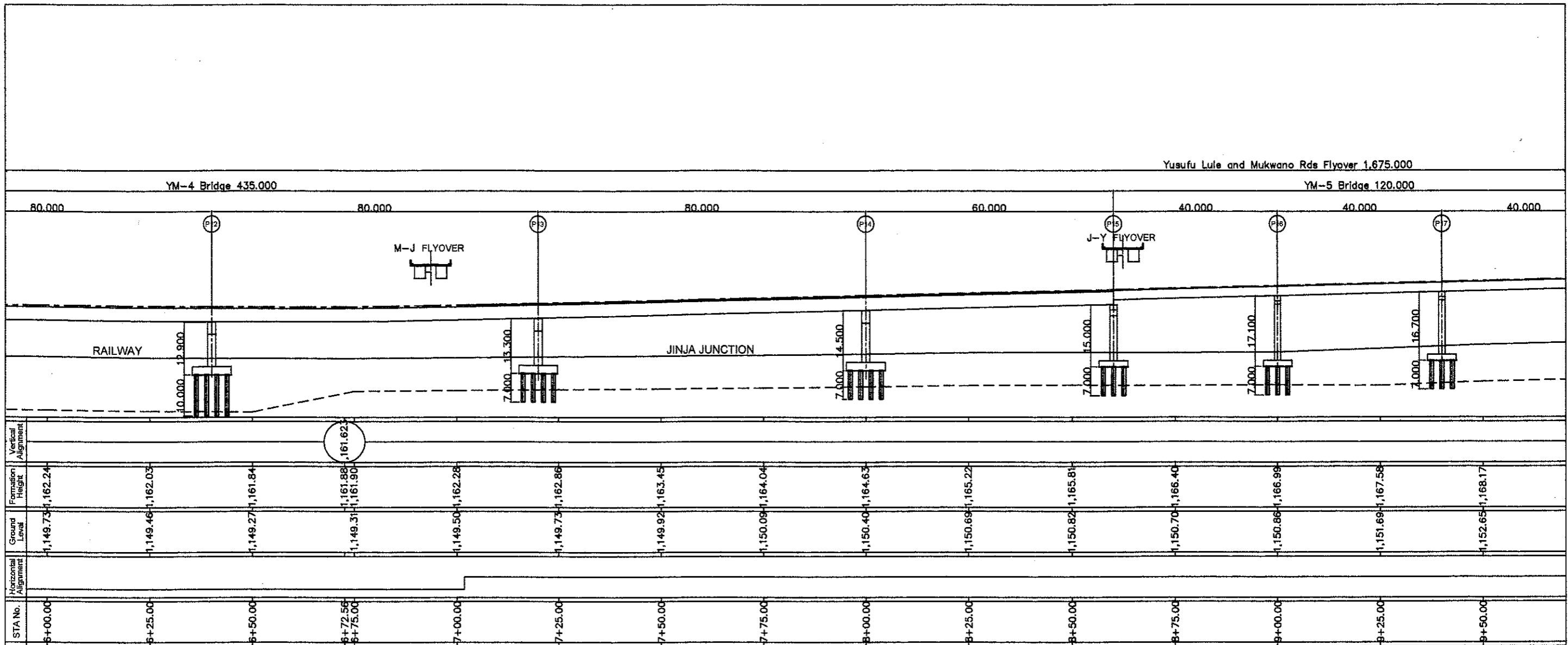
The Study on Greater Kampala Road Network and Transport Improvement
in the Republic of Uganda

Nippon Koei Co., Ltd.
Eight-Japan Engineering Consultants Inc.

DRAWING TITLE

GENERAL LAYOUT & CROSS SECTION
Y-M Flyover (2/6)

	PREPARED BY	CHECKED BY	APPROVED BY	SCALE	SHEET NO.	DRAWING NO.	REV. NO.
NAME	T. Yoshida	S. Konda	H. Shinkai	1:1,000	1-2 (2)		-
SIGNATURE							
DATE	2010/08/12	2010/08/14	2010/08/18				



JAPAN INTERNATIONAL COOPERATION AGENCY

MINISTRY OF WORKS AND TRANSPORT

REMARKS:

The Study on Greater Kampala Road Network and Transport Improvement
in the Republic of Uganda

Nippon Koei Co., Ltd.
Eight-Japan Engineering Consultants Inc.

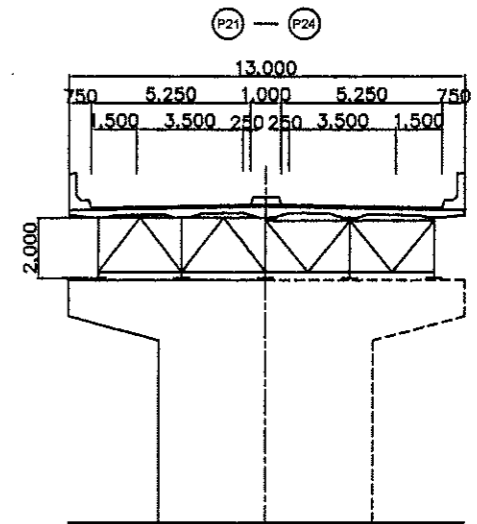
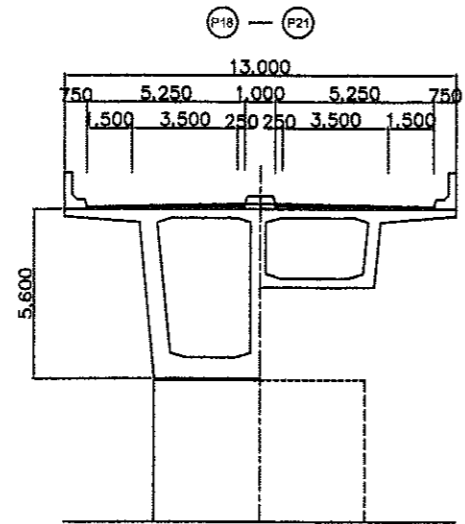
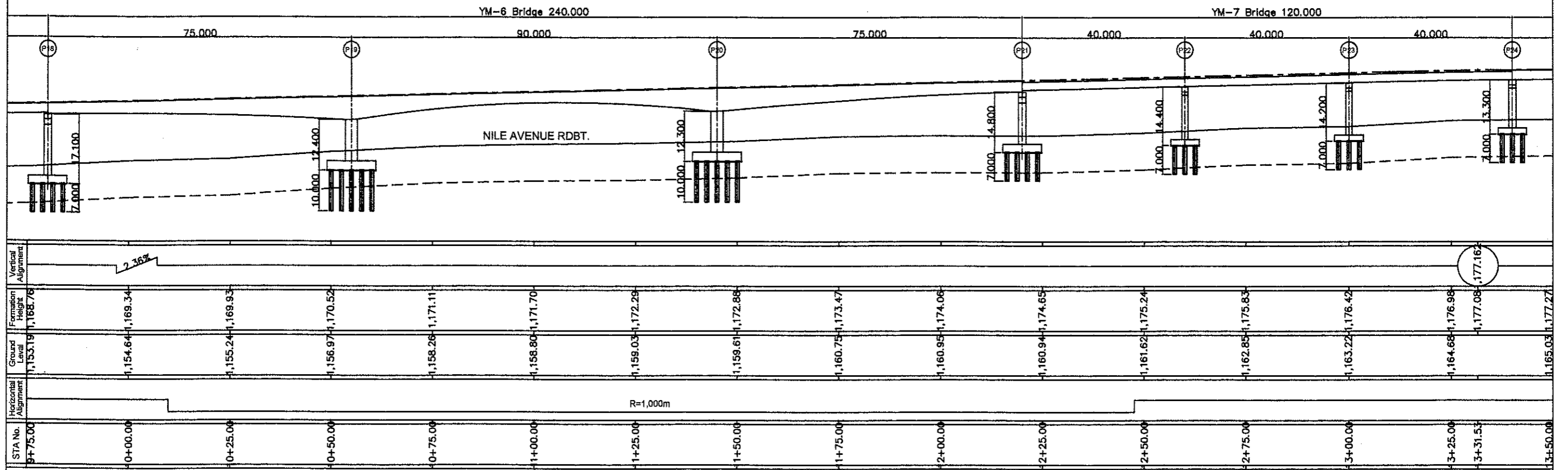
DRAWING TITLE

GENERAL LAYOUT & CROSS SECTION
Y-M Flyover (3/6)

	PREPARED BY	CHECKED BY	APPROVED BY
NAME	T. Yoshida	S. Konda	H. Shinkai
SIGNATURE			
DATE	2010/08/12	2010/08/14	2010/08/18

SCALE	SHEET NO.	DRAWING NO.	REV. NO.
1:1,000	1-2 (3)		

Yusufu Lule and Mukwano Rds Flyover 1,675.000



JAPAN INTERNATIONAL COOPERATION AGENCY

MINISTRY OF WORKS AND TRANSPORT

REMARKS:

The Study on Greater Kampala Road Network and Transport Improvement
in the Republic of Uganda

Nippon Koei Co., Ltd.
Eight-Japan Engineering Consultants Inc.

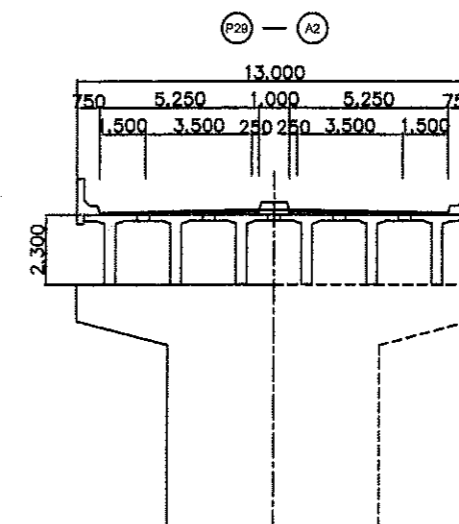
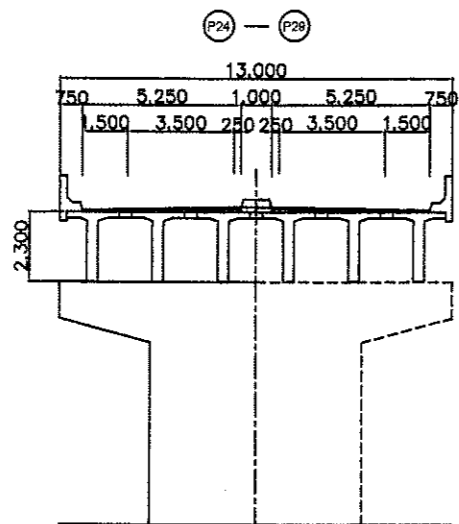
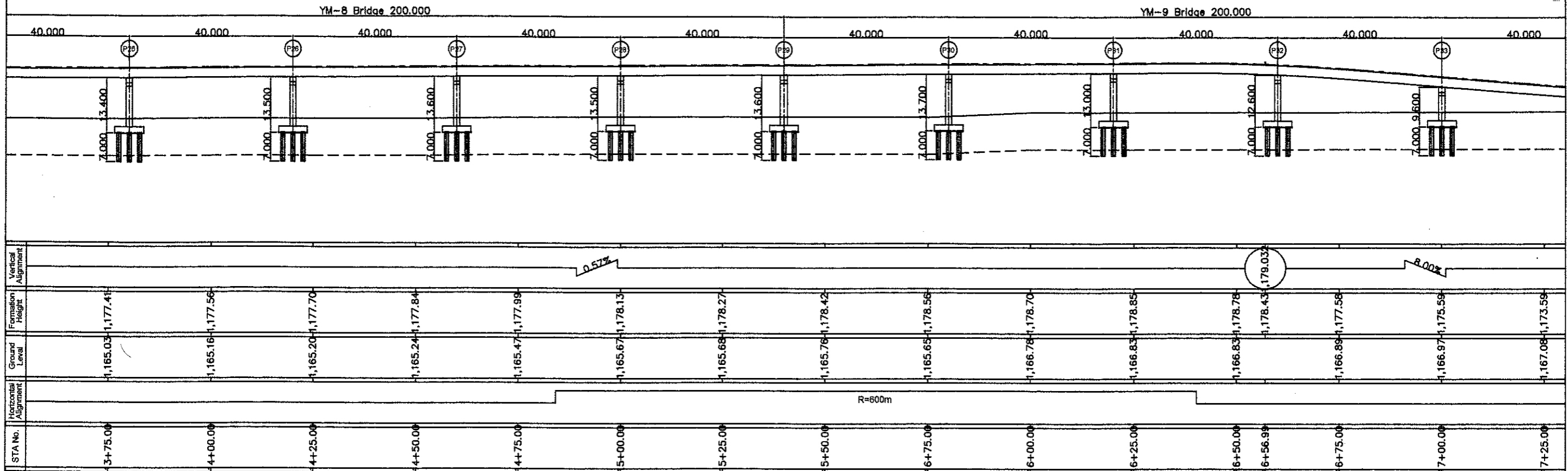
DRAWING TITLE

GENERAL LAYOUT & CROSS SECTION
Y-M Flyover (4/6)

	PREPARED BY	CHECKED BY	APPROVED BY
NAME	T. Yoshida	S. Konda	H. Shinkel
SIGNATURE			
DATE	2010/08/12	2010/08/14	2010/08/18

SCALE	SHEET NO.	DRAWING NO.	REV. NO.
1:1,000	1-2 (4)		-

Yusufu Lule and Mukwano Rds Flyover 1,675.000



JAPAN INTERNATIONAL COOPERATION AGENCY

MINISTRY OF WORKS AND TRANSPORT

REMARKS:

The Study on Greater Kampala Road Network and Transport Improvement
in the Republic of Uganda

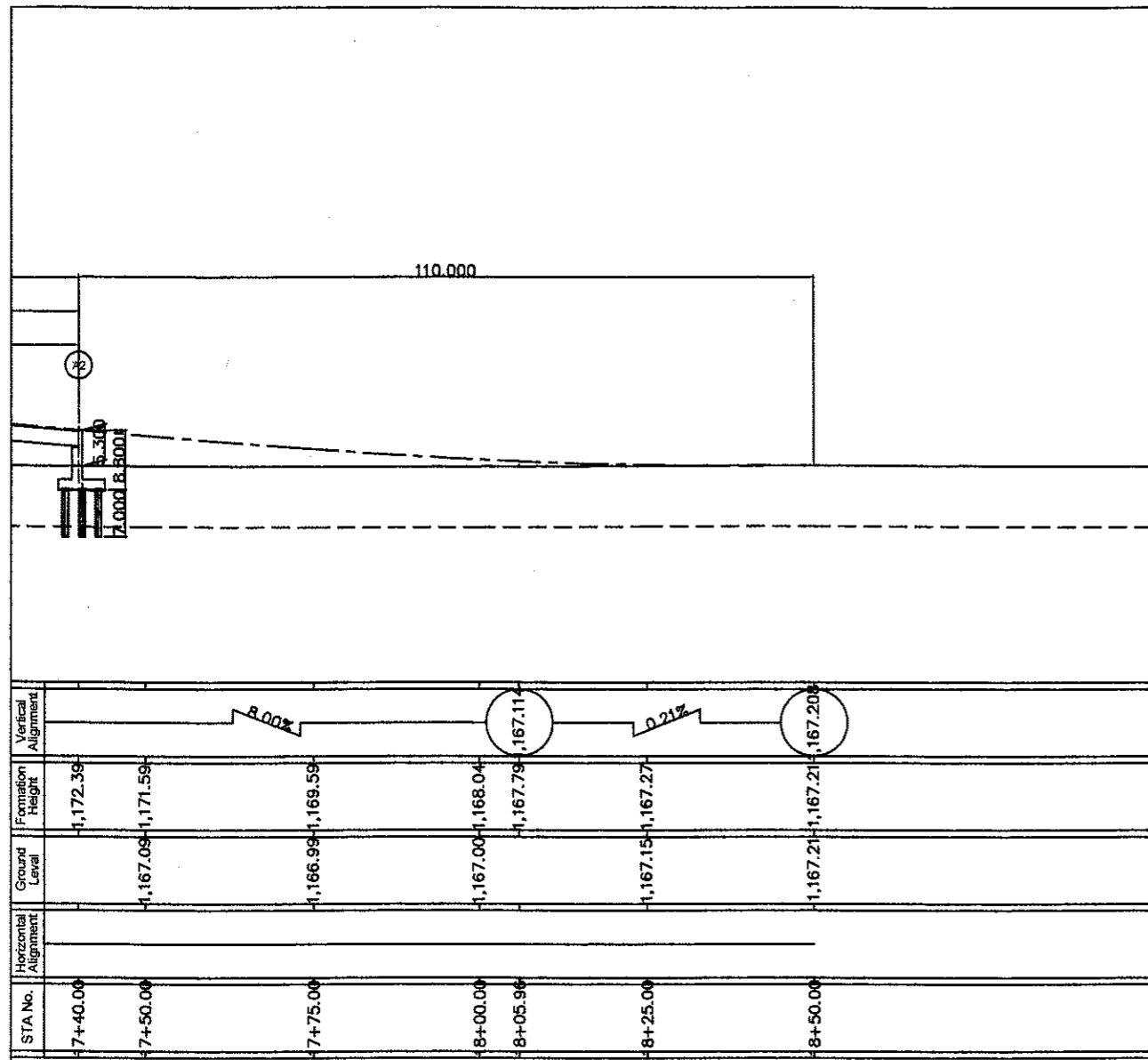
Nippon Koei Co., Ltd.
Elght-Japan Engineering Consultants Inc.

DRAWING TITLE

GENERAL LAYOUT & CROSS SECTION
Y-M Flyover (5/6)

	PREPARED BY	CHECKED BY	APPROVED BY
NAME	T. Yoshida	S. Konda	H. Shinkai
SIGNATURE			
DATE	2010/08/12	2010/08/14	2010/08/18

SCALE	SHEET NO.	DRAWING NO.	REV. NO.
1:1,000	1-2 (5)		-

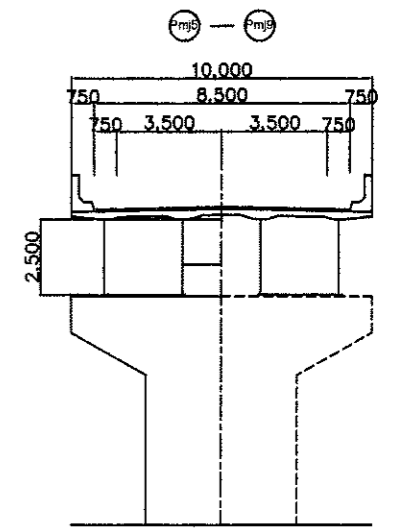
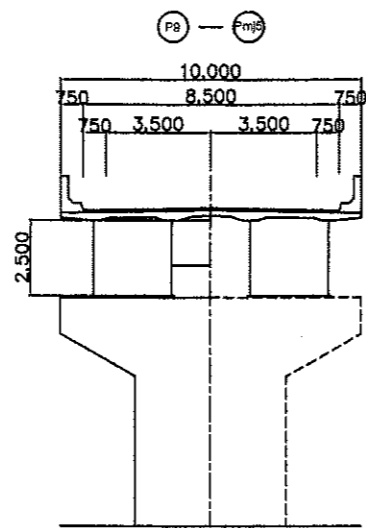
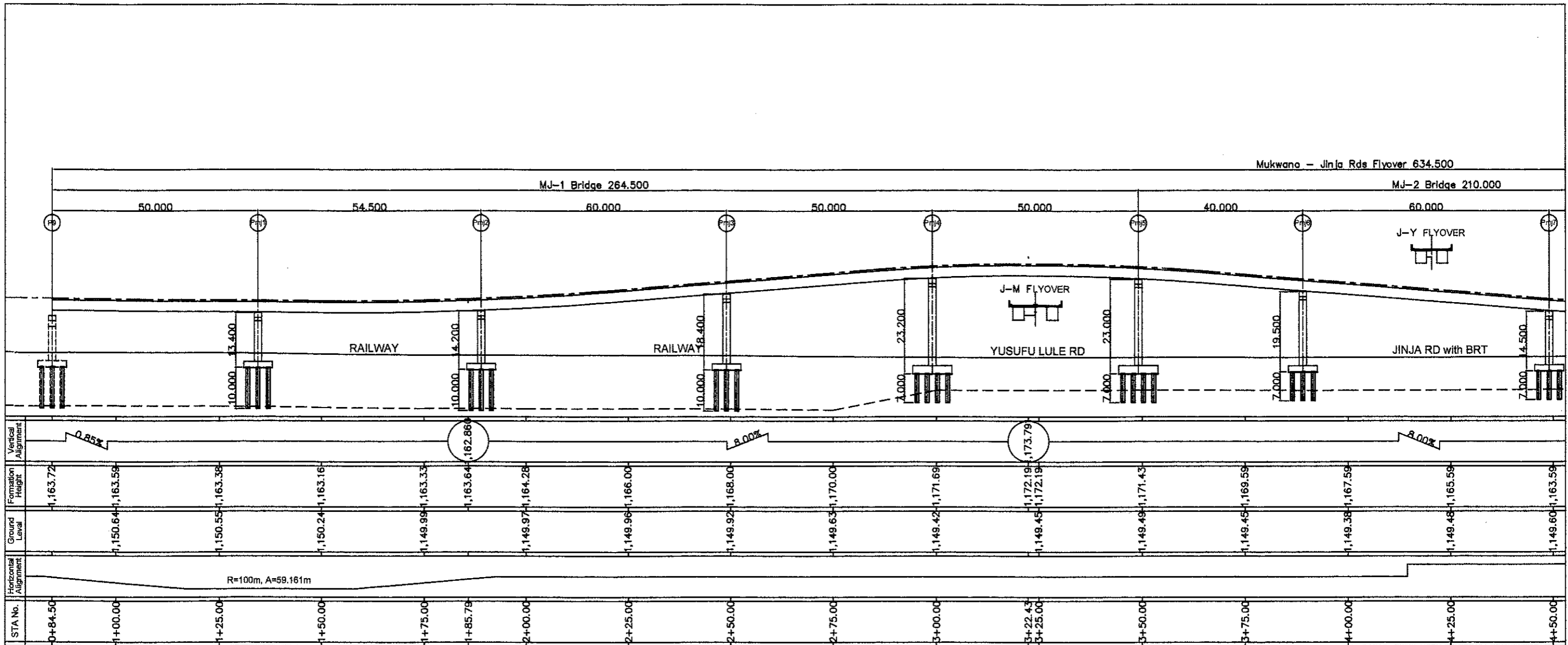


JAPAN INTERNATIONAL COOPERATION AGENCY

MINISTRY OF WORKS AND TRANSPORT

REMARKS:

The Study on Greater Kampala Road Network and Transport Improvement in the Republic of Uganda				DRAWING TITLE			
Nippon Koei Co., Ltd. Eight-Japan Engineering Consultants Inc.				GENERAL LAYOUT & CROSS SECTION Y-M Flyover (6/6)			
	PREPARED BY	CHECKED BY	APPROVED BY	SCALE	SHEET NO.	DRAWING NO.	REV. NO.
NAME	T. Yoshida	S. Konda	H. Shinkai	1:1,000	1-2 (6)		-
SIGNATURE							
DATE	2010/08/12	2010/08/14	2010/08/18				

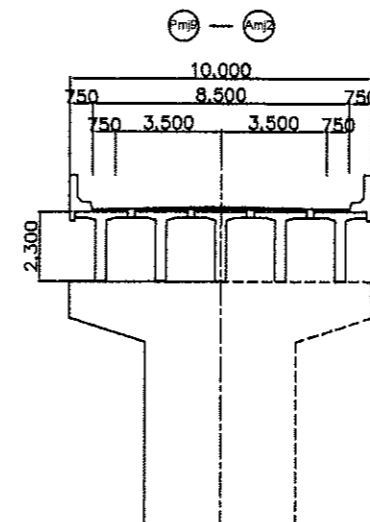
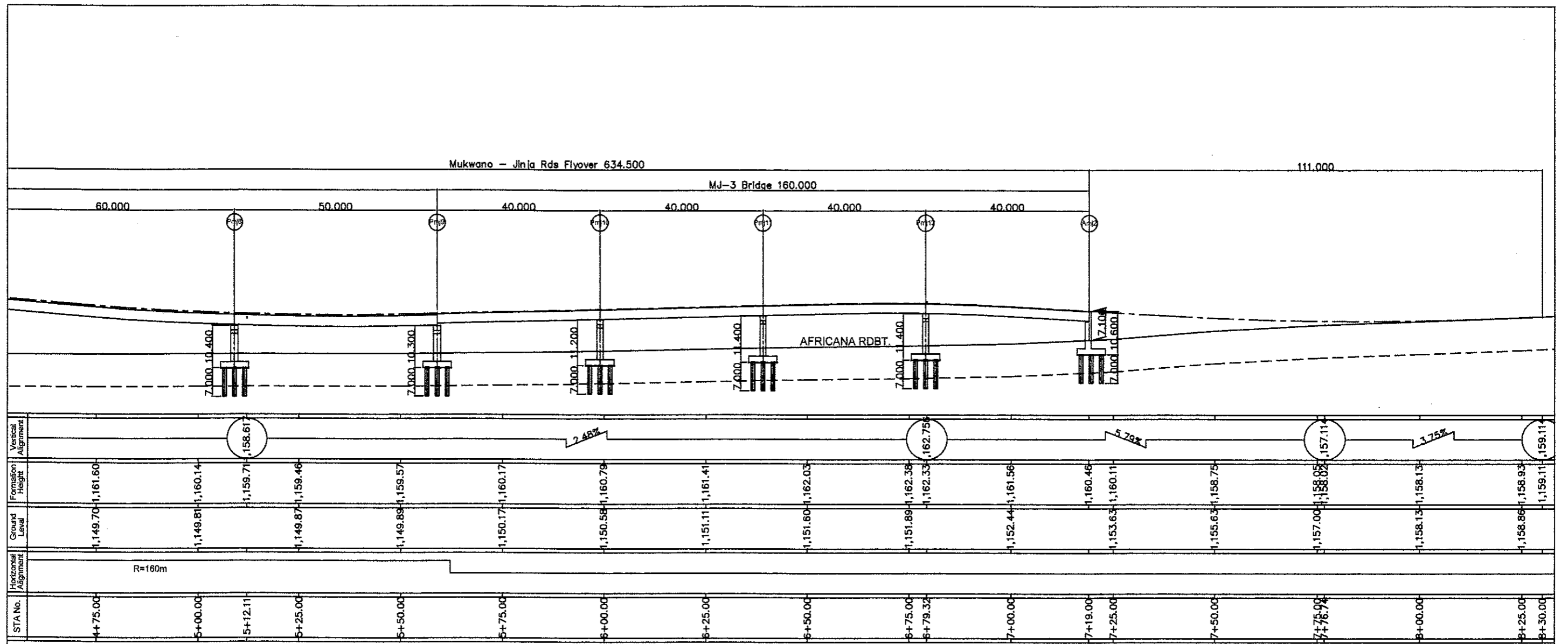


JAPAN INTERNATIONAL COOPERATION AGENCY

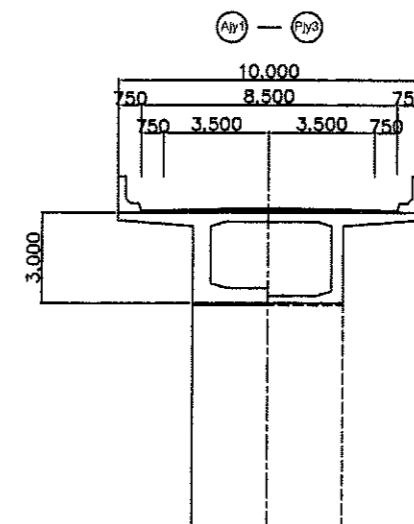
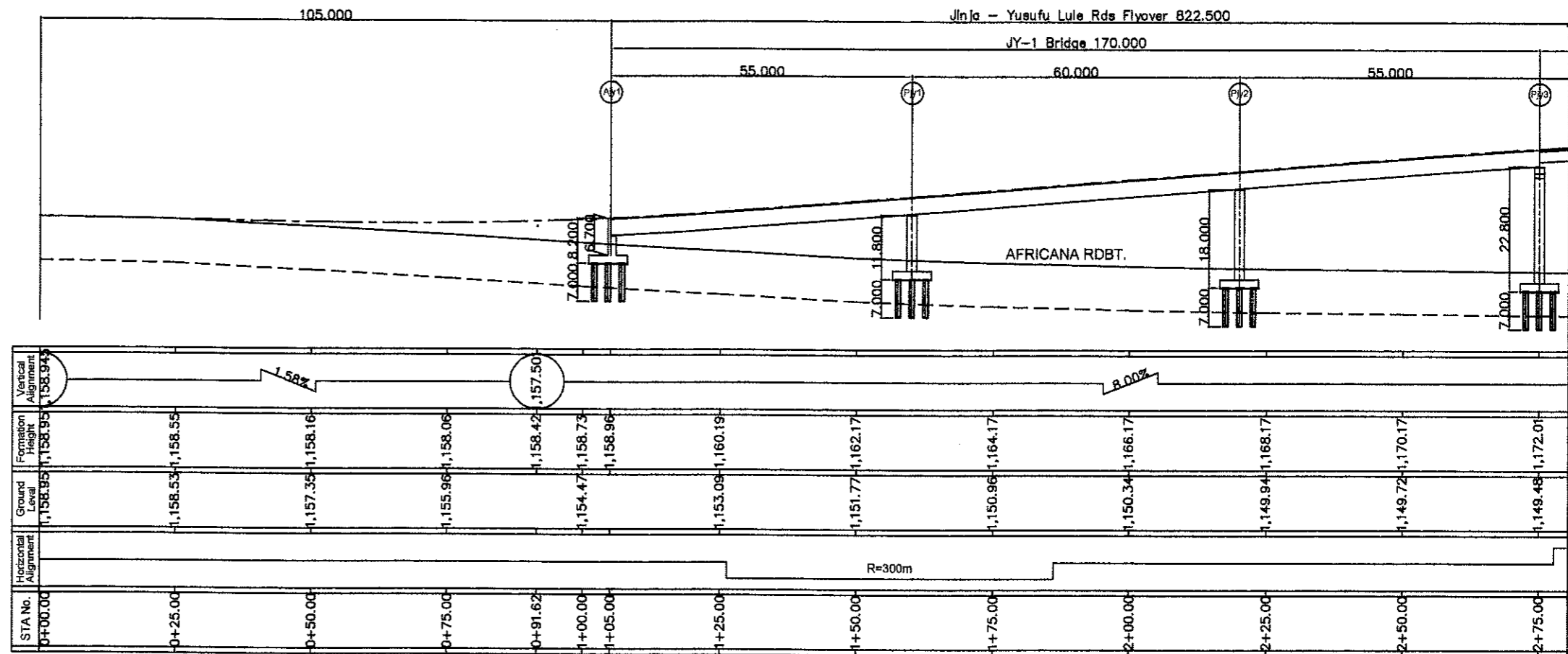
MINISTRY OF WORKS AND TRANSPORT

REMARKS:

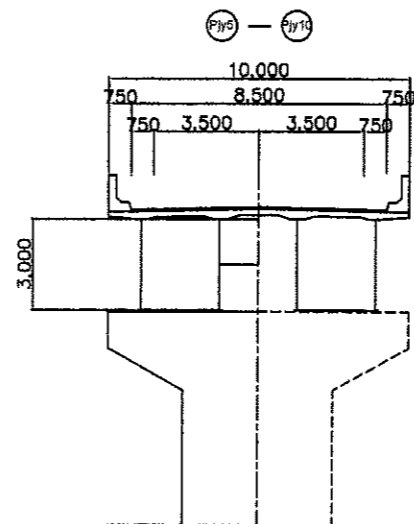
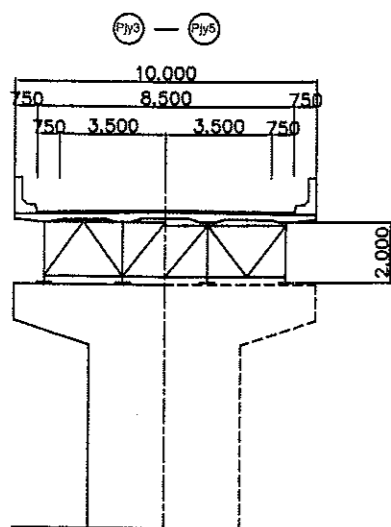
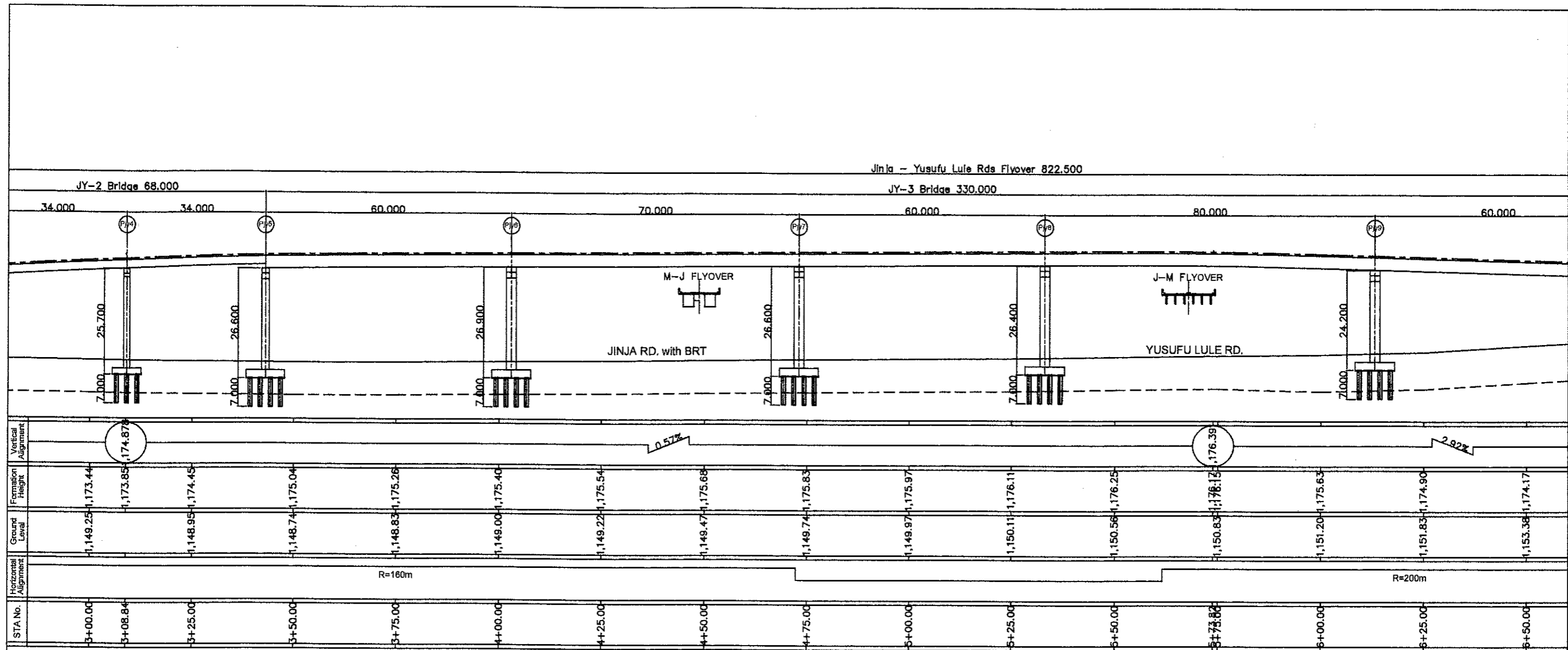
The Study on Greater Kampala Road Network and Transport Improvement in the Republic of Uganda			
Nippon Koei Co., Ltd. Eight-Japan Engineering Consultants Inc.			DRAWING TITLE
GENERAL LAYOUT & CROSS SECTION M-J Flyover (1/2)			
PREPARED BY	CHECKED BY	APPROVED BY	SCALE
T. Yoshida	S. Konda	H. Shinkai	1:1,000
SIGNATURE			SHEET NO.
			1-3 (1)
DATE	2010/08/12	2010/08/14	DRAWING NO.
		2010/08/18	REV. NO.
			-



JAPAN INTERNATIONAL COOPERATION AGENCY	REMARKS:	The Study on Greater Kampala Road Network and Transport Improvement in the Republic of Uganda						
		Nippon Koei Co., Ltd. Eight-Japan Engineering Consultants Inc.			DRAWING TITLE			
MINISTRY OF WORKS AND TRANSPORT		PREPARED BY	CHECKED BY	APPROVED BY	GENERAL LAYOUT & CROSS SECTION M-J Flyover (2/2)			
		NAME	SIGNATURE	DATE		SCALE	SHEET NO.	DRAWING NO.
		T. Yoshida	S. Konda	H. Shinkai	1:1,000	1-3 (2)		-
		2010/08/12	2010/08/14	2010/08/18				



JAPAN INTERNATIONAL COOPERATION AGENCY	REMARKS:	The Study on Greater Kampala Road Network and Transport Improvement in the Republic of Uganda						
		Nippon Koei Co., Ltd. Eight-Japan Engineering Consultants Inc.		DRAWING TITLE GENERAL LAYOUT & CROSS SECTION J-Y Flyover (1/3)				
MINISTRY OF WORKS AND TRANSPORT		PREPARED BY	CHECKED BY	APPROVED BY	SCALE	SHEET NO.	DRAWING NO.	REV. NO.
		T. Yoshida	S. Konda	H. Shinkai	1:1,000	1-4 (1)		
		2010/08/12	2010/08/14	2010/08/18				

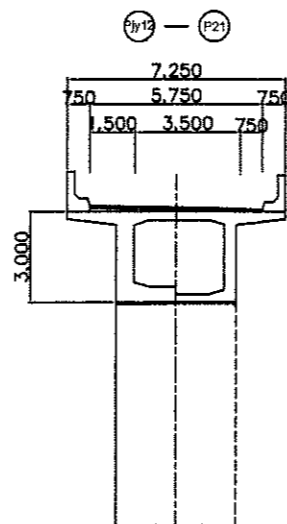
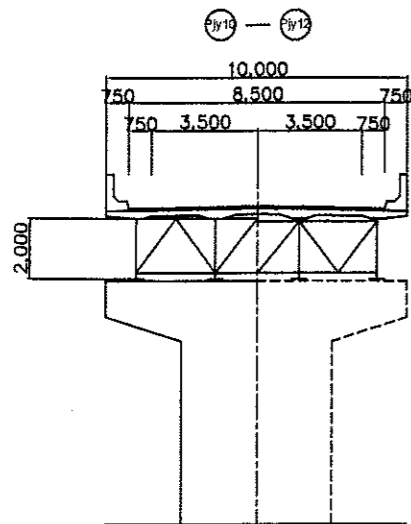
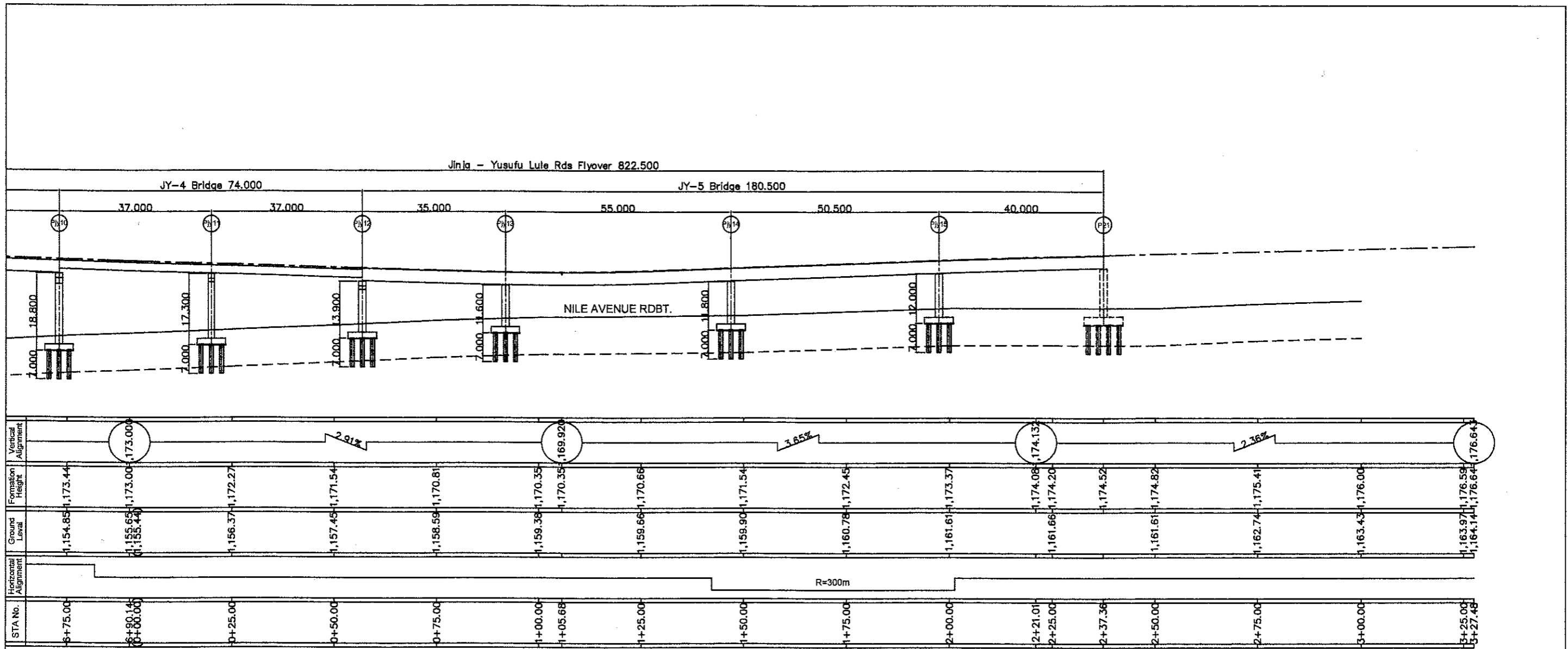


JAPAN INTERNATIONAL COOPERATION AGENCY

MINISTRY OF WORKS AND TRANSPORT

REMARKS:

The Study on Greater Kampala Road Network and Transport Improvement in the Republic of Uganda			
Nippon Koei Co., Ltd. Eight-Japan Engineering Consultants Inc.			DRAWING TITLE
PREPARED BY: T. Yoshida CHECKED BY: S. Konda APPROVED BY: H. Shinkai			GENERAL LAYOUT & CROSS SECTION J-Y Flyover (2/3)
NAME	T. Yoshida	S. Konda	H. Shinkai
SIGNATURE			
DATE	2010/08/12	2010/08/14	2010/08/18
SCALE	1:1,000	SHEET NO.	1-4 (2)
		DRAWING NO.	
		REV. NO.	-



JAPAN INTERNATIONAL COOPERATION AGENCY

MINISTRY OF WORKS AND TRANSPORT

REMARKS:

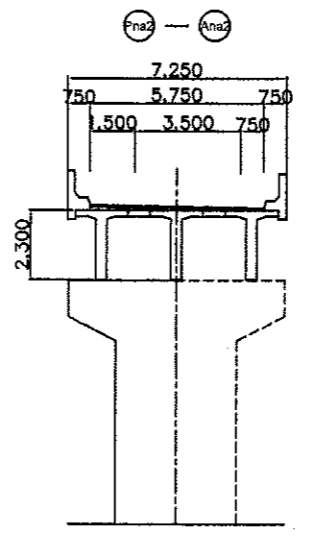
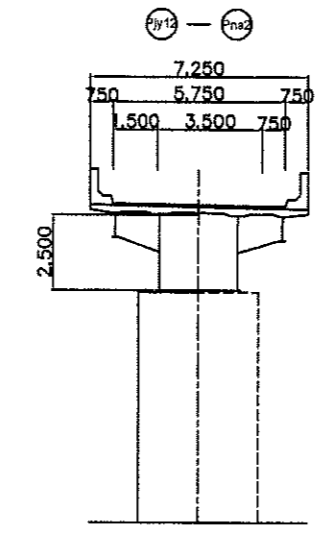
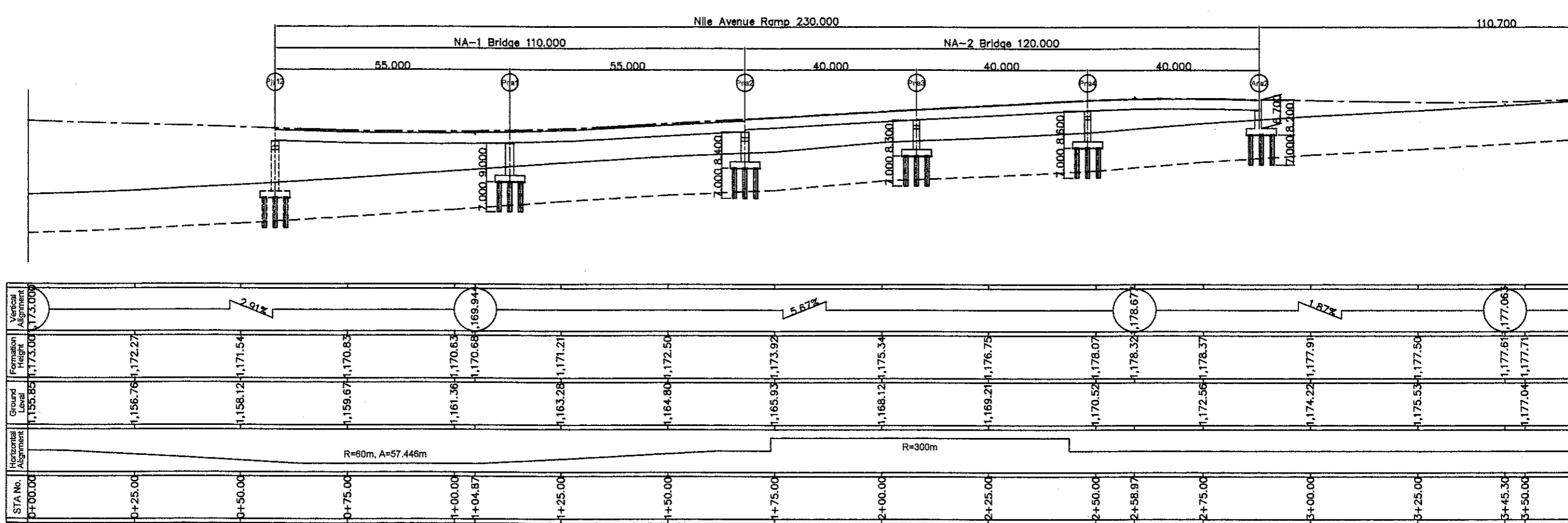
The Study on Greater Kampala Road Network and Transport Improvement
in the Republic of Uganda

Nippon Koei Co., Ltd.
Eight-Japan Engineering Consultants Inc.

DRAWING TITLE

GENERAL LAYOUT & CROSS SECTION
J-Y Flyover (3/3)

NAME	PREPARED BY	CHECKED BY	APPROVED BY	SCALE	SHEET NO.	DRAWING NO.	REV. NO.
	T. Yoshida	S. Konda	H. Shinkal	1:1,000	1-4 (3)		-
SIGNATURE							
DATE	2010/08/12	2010/08/14	2010/08/18				

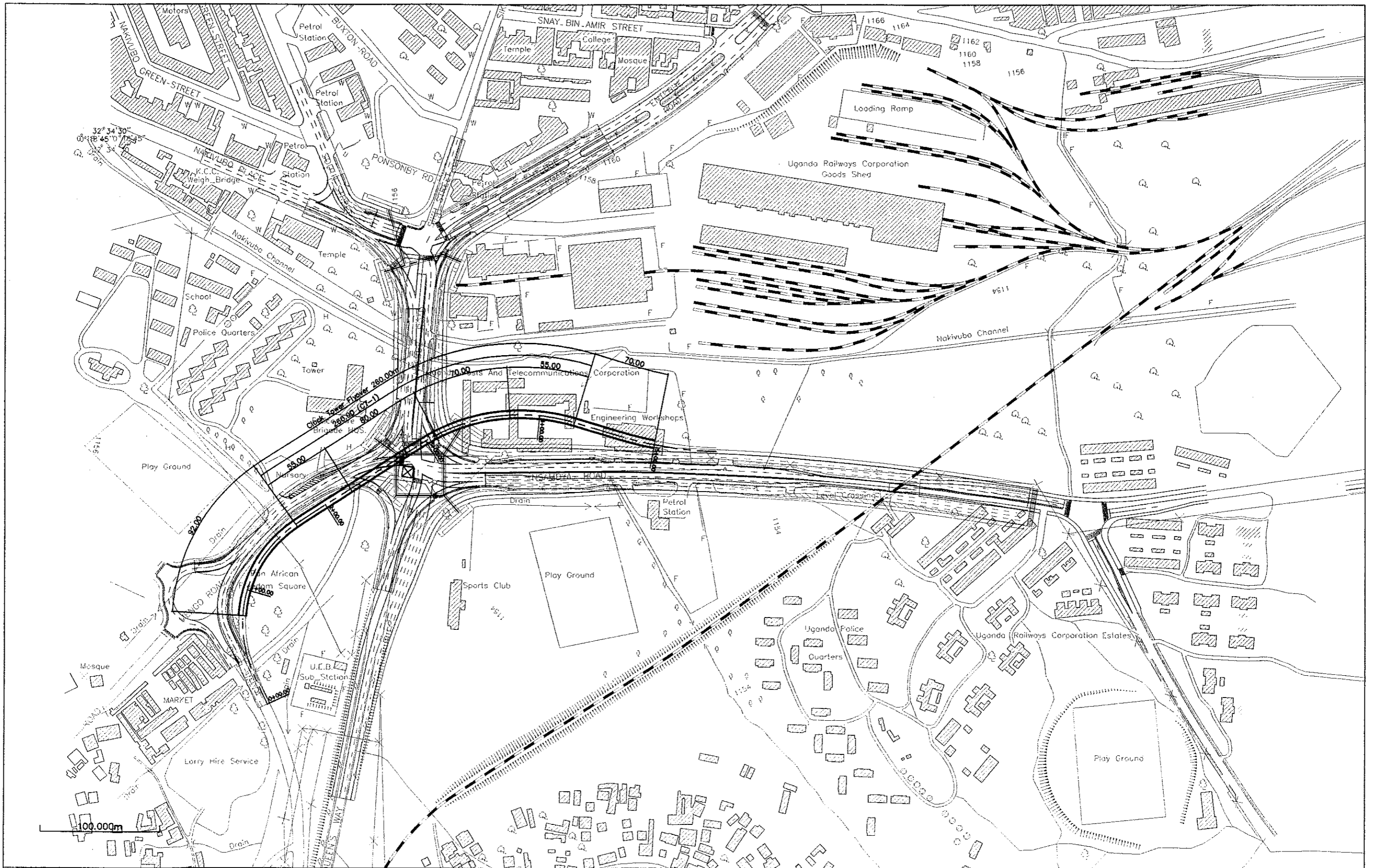


JAPAN INTERNATIONAL COOPERATION AGENCY

MINISTRY OF WORKS AND TRANSPORT

REMARKS:

The Study on Greater Kampala Road Network and Transport Improvement in the Republic of Uganda				DRAWING TITLE			
Nippon Koei Co., Ltd. Eight-Japan Engineering Consultants Inc.				GENERAL LAYOUT & CROSS SECTION Nile Avenue Ramp			
PREPARED BY	CHECKED BY	APPROVED BY	SCALE	SHEET NO.	DRAWING NO.	REV. NO.	
T. Yoshida	S. Konda	H. Shinkel	1:1,000	1-5			
NAME	DATE	DATE	DATE				
	2010/08/12	2010/08/14	2010/08/18				

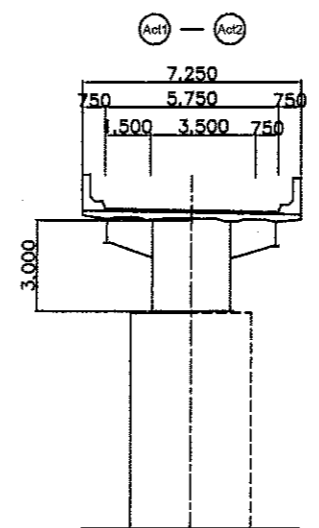
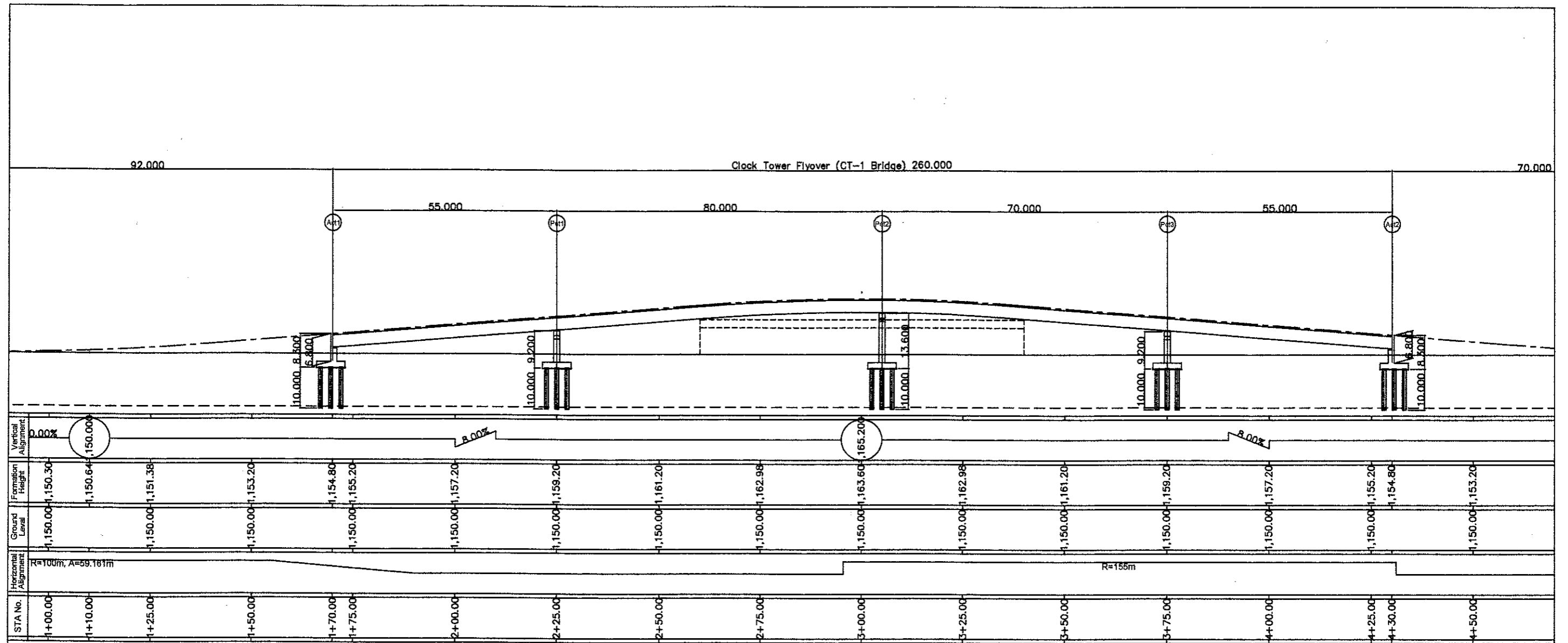


JAPAN INTERNATIONAL COOPERATION AGENCY

MINISTRY OF WORKS AND TRANSPORT

REMARKS:

The Study on Greater Kampala Road Network and Transport Improvement in the Republic of Uganda			
Nippon Koei Co., Ltd. Eight-Japan Engineering Consultants Inc.			DRAWING TITLE
PREPARED BY T. Yoshida			GENERAL PLAN OF FLYOVER (Clock Tower Junction)
CHECKED BY S. Konda		APPROVED BY H. Shinkai	
NAME	SIGNATURE	DATE	
2010/08/12	2010/08/14	2010/08/18	
SCALE 1/3,000	SHEET NO. 1-6	DRAWING NO.	REV. NO.

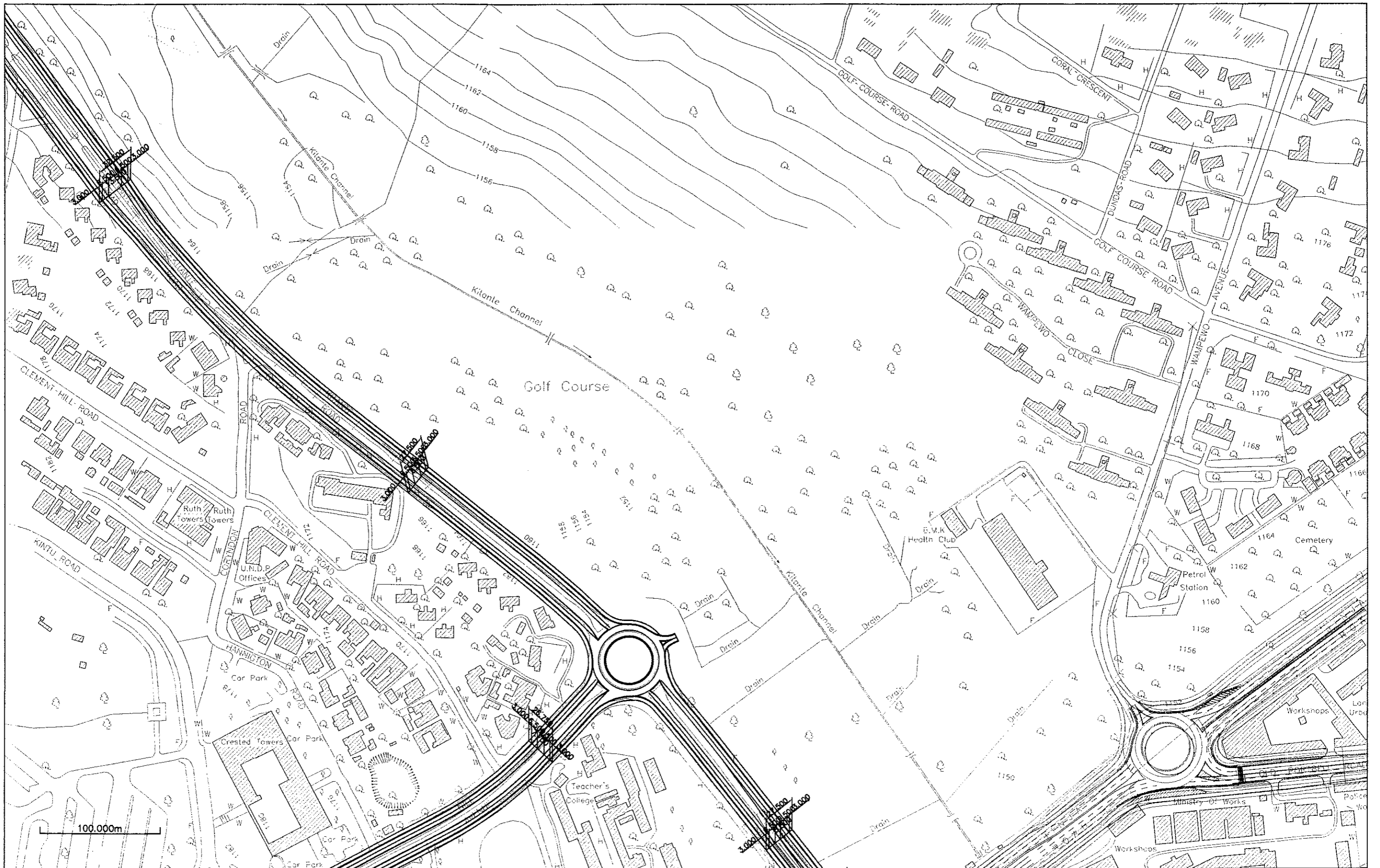


JAPAN INTERNATIONAL COOPERATION AGENCY

MINISTRY OF WORKS AND TRANSPORT

REMARKS:

The Study on Greater Kampala Road Network and Transport Improvement in the Republic of Uganda			
Nippon Koei Co., Ltd. Eight-Japan Engineering Consultants Inc.			DRAWING TITLE
PREPARED BY: T. Yoshida CHECKED BY: S. Konda APPROVED BY: H. Shinkai			GENERAL LAYOUT & CROSS SECTION Clock Tower Flyover
NAME	T. Yoshida	S. Konda	H. Shinkai
SIGNATURE			
DATE	2010/08/12	2010/08/14	2010/08/18
SCALE	1:1,000	SHEET NO.	1-7
		DRAWING NO.	
		REV. NO.	-

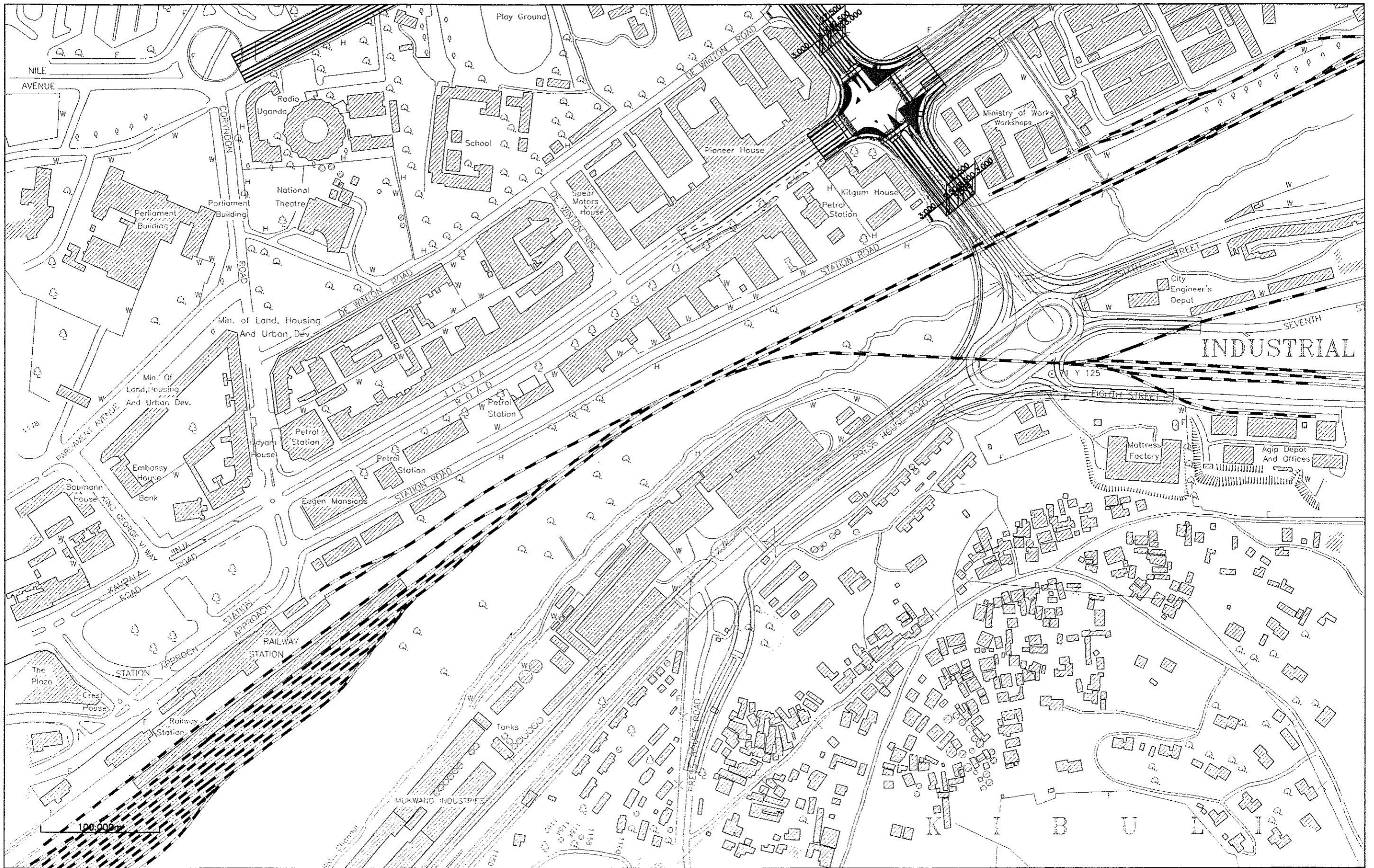


JAPAN INTERNATIONAL COOPERATION AGENCY

MINISTRY OF WORKS AND TRANSPORT

REMARKS:

The Study on Greater Kampala Road Network and Transport Improvement in the Republic of Uganda			
Nippon Koei Co., Ltd. Eight-Japan Engineering Consultants Inc.			DRAWING TITLE
			GENERAL PLAN OF EXISTING ROAD (Northern Area)
PREPARED BY	CHECKED BY	APPROVED BY	SCALE
T. Yoshida	S. Konda	H. Shinkai	1/3,000
SIGNATURE			SHEET NO.
			1-8 (1)
DATE	2010/08/12	2010/08/14	DRAWING NO.
		2010/08/18	REV. NO.
			-



JAPAN INTERNATIONAL COOPERATION AGENCY

MINISTRY OF WORKS AND TRANSPORT

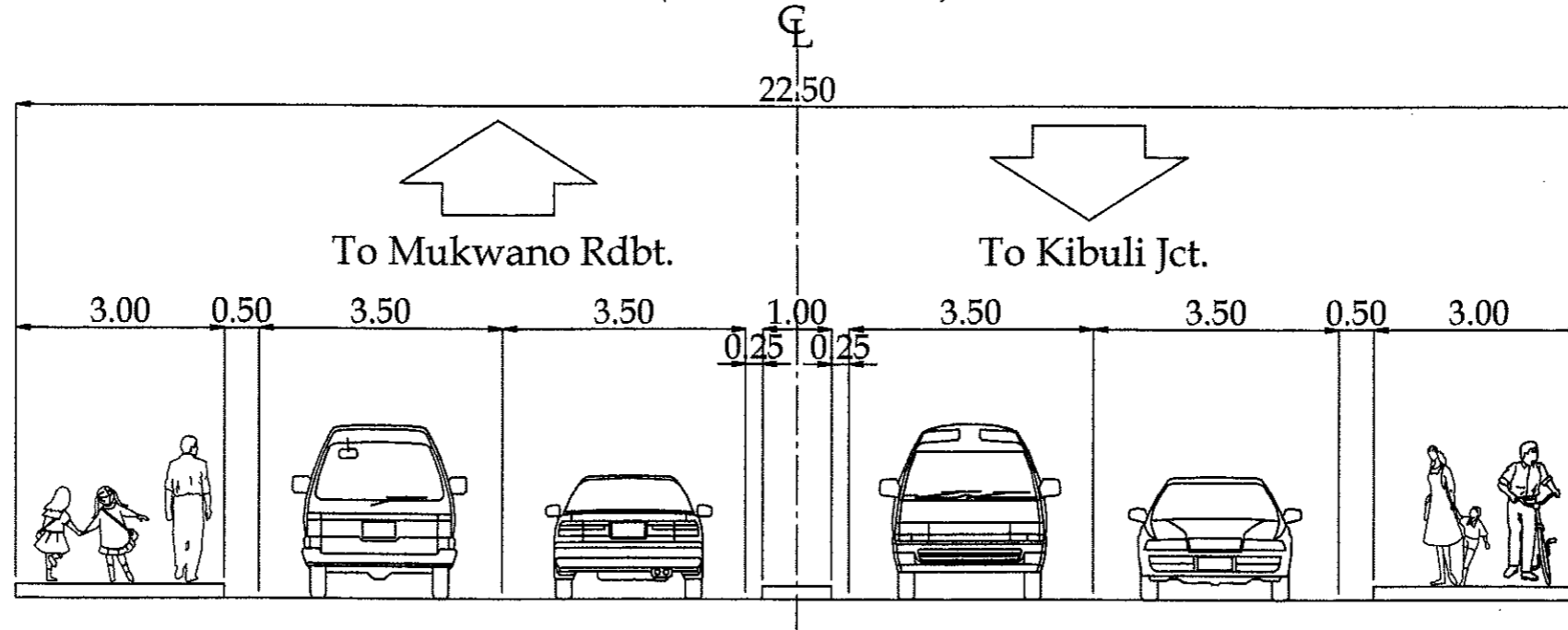
REMARKS:

The Study on Greater Kampala Road Network and Transport Improvement in the Republic of Uganda			
Nippon Koei Co., Ltd. Eight-Japan Engineering Consultants Inc.			DRAWING TITLE
GENERAL PLAN OF EXISTING ROAD (Southern Area)			
PREPARED BY	CHECKED BY	APPROVED BY	SCALE
T. Yoshida	S. Konda	H. Shinkai	1/3,000
SIGNATURE			SHEET NO.
			1-8 (2)
DATE			DRAWING NO.
2010/08/12	2010/08/14	2010/08/18	REV. NO.
			-

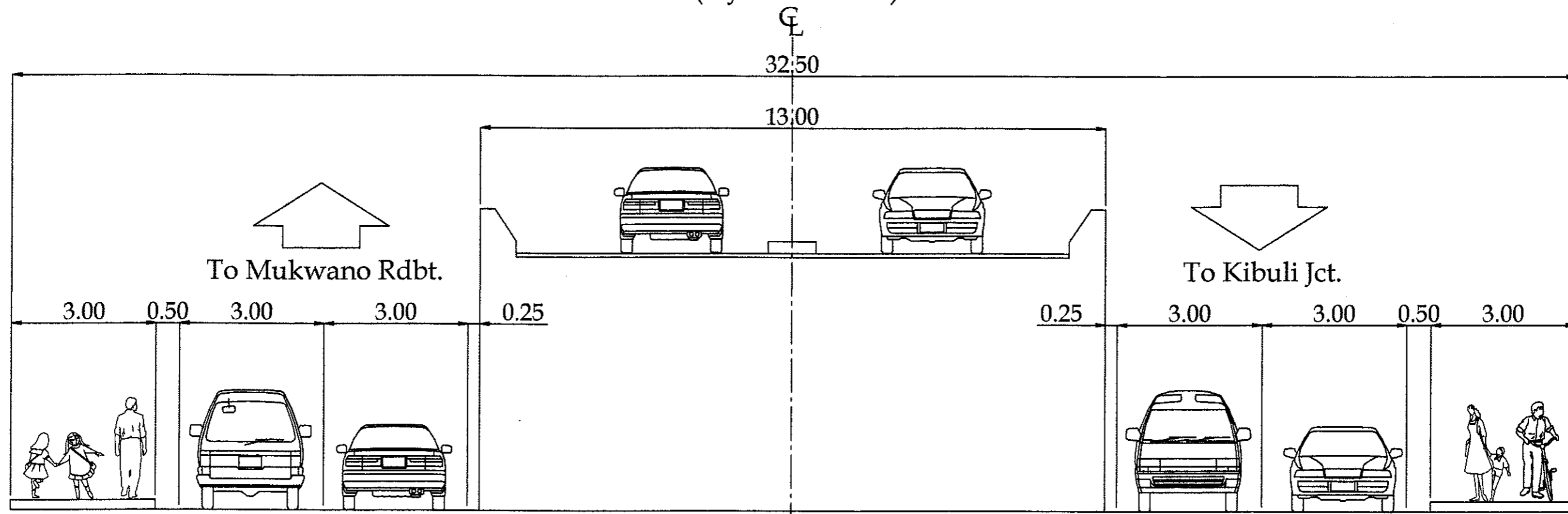
PROJECT 2

MUKWANO ROAD WIDENING PROJECT

Mukwano Road
(Normal Section)



Mukwano Road
(Flyover Section)



JAPAN INTERNATIONAL COOPERATION AGENCY

MINISTRY OF WORKS AND TRANSPORT

REMARKS:

The Study on Greater Kampala Road Network and Transport Improvement
in the Republic of Uganda

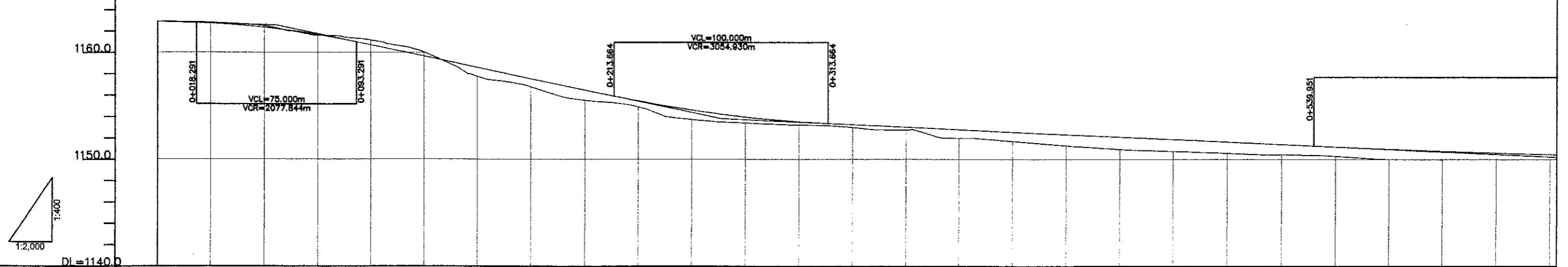
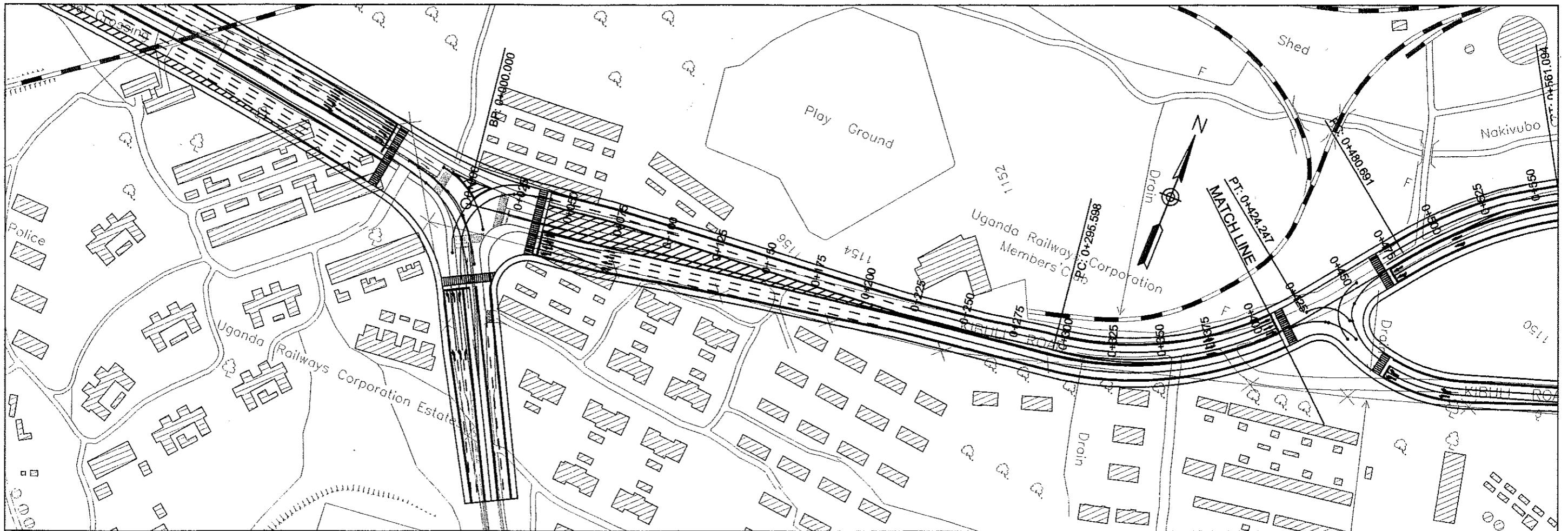
Nippon Koei Co., Ltd.
Eight-Japan Engineering Consultants Inc.

DRAWING TITLE

Typical Cross Section for Mukwano Rd.

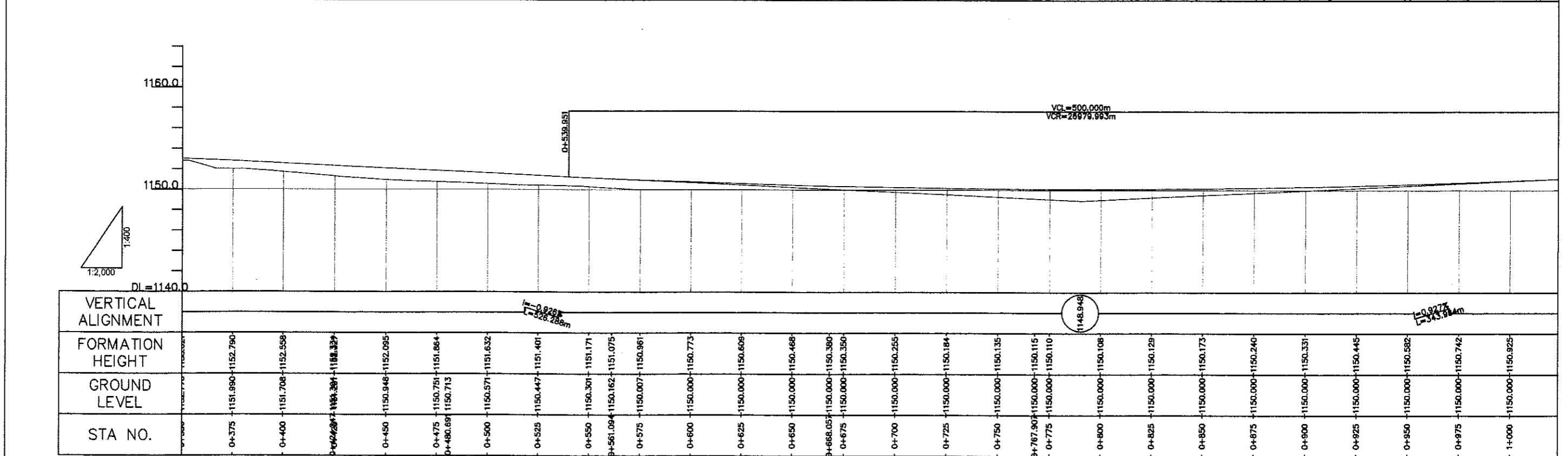
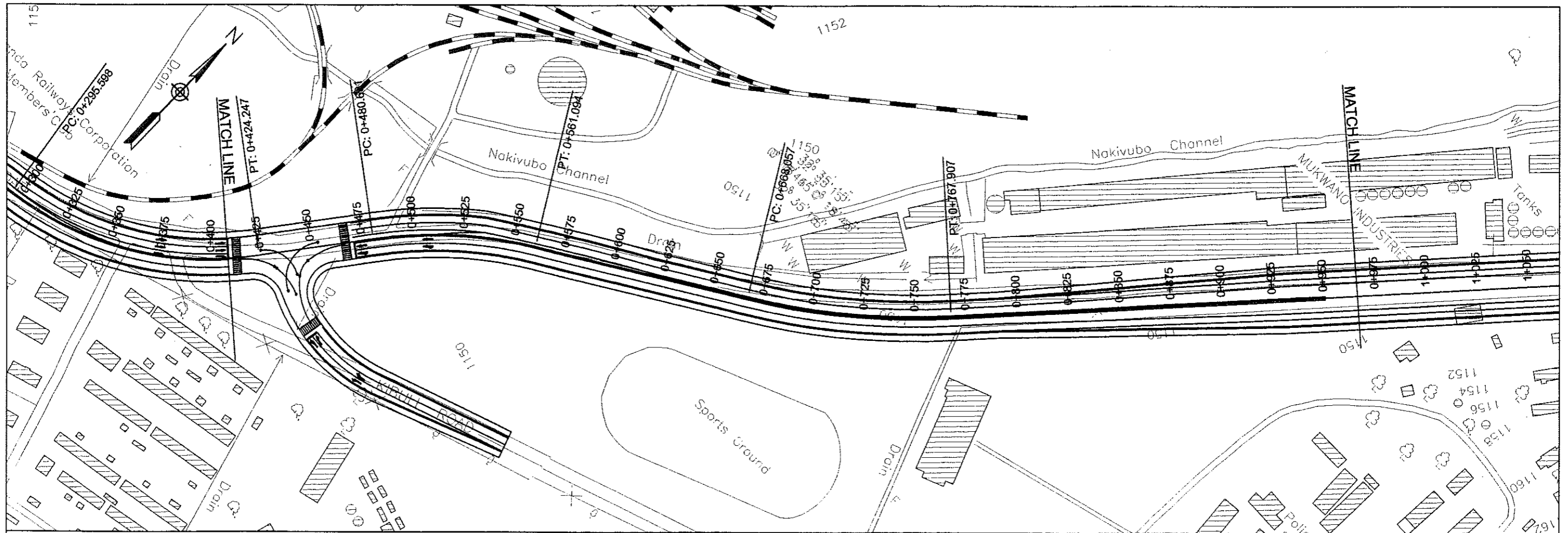
	PREPARED BY	CHECKED BY	APPROVED BY
NAME			
SIGNATURE			
DATE			

SCALE	SHEET NO.	DRAWING NO.	REV. NO.
1:100	2-1		-

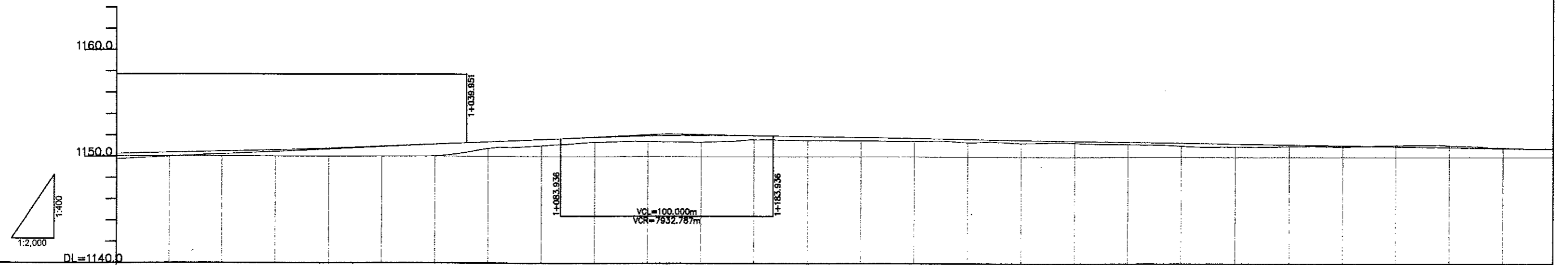
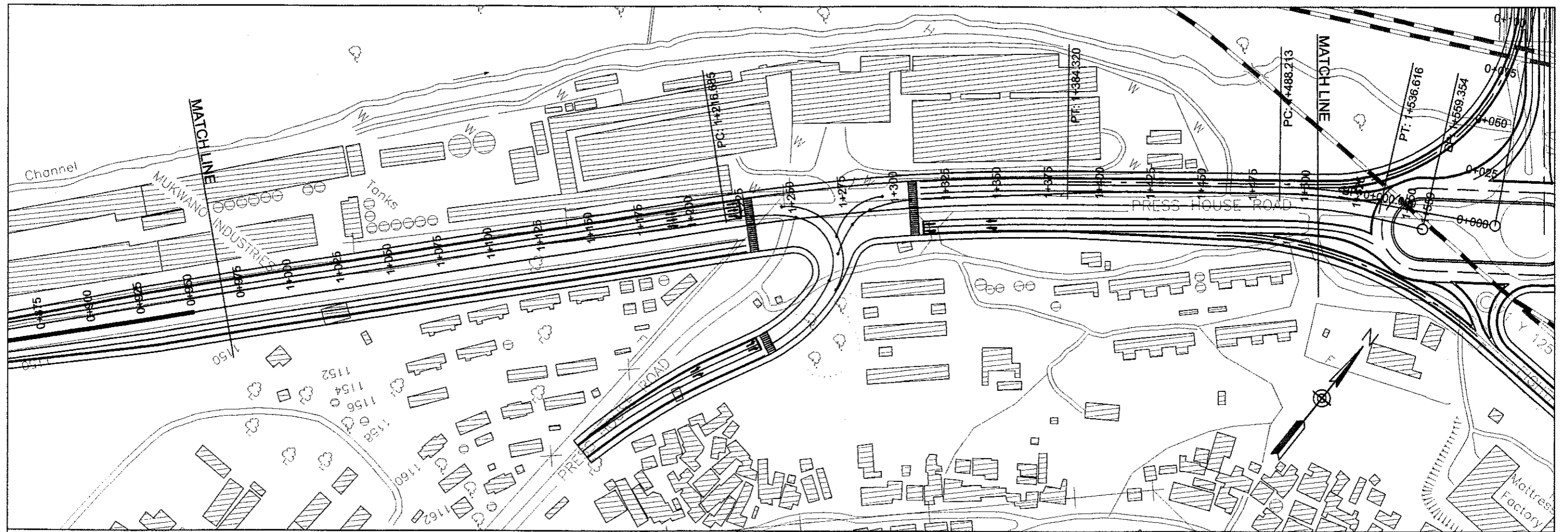


VERTICAL ALIGNMENT																											
FORMATION HEIGHT	0+000	0+025	0+050	0+075	0+100	0+125	0+150	0+175	0+200	0+225	0+250	0+275	0+300	0+325	0+350	0+375	0+400	0+425	0+450	0+475	0+500	0+525	0+550	0+575	0+600	0+625	0+650
GROUND LEVEL	1162.879	1162.795	1162.483	1161.591	1161.145	1160.031	1157.758	1156.785	1155.527	1154.899	1153.720	1153.399	1153.225	1153.216	1152.985	1152.770	1151.990	1151.708	1150.948	1150.751	1150.571	1150.447	1150.301	1150.162	1150.007	1150.000	1150.000
STA NO.	0+000	0+025	0+050	0+075	0+100	0+125	0+150	0+175	0+200	0+225	0+250	0+275	0+300	0+325	0+350	0+375	0+400	0+425	0+450	0+475	0+500	0+525	0+550	0+575	0+600	0+625	0+650

JAPAN INTERNATIONAL COOPERATION AGENCY	REMARKS:	The Study on Greater Kampala Road Network and Transport Improvement in the Republic of Uganda						
		Nippon Koei Co., Ltd. Eight-Japan Engineering Consultants Inc.		DRAWING TITLE Plan and Profile for Mukwano Rd. (1/4)				
MINISTRY OF WORKS AND TRANSPORT		PREPARED BY	CHECKED BY	APPROVED BY	SCALE	SHEET NO.	DRAWING NO.	REV. NO.
		NAME			1:2,000	2-2 (1)		
		SIGNATURE						
		DATE						



JAPAN INTERNATIONAL COOPERATION AG	REMARKS:	The Study on Greater Kampala Road Network and Transport Improvement in the Republic of Uganda			
		Nippon Koei Co., Ltd. Eight-Japan Engineering Consultants Inc.		DRAWING TITLE Plan and Profile for Mukwano Rd. (2/4)	
MINISTRY OF WORKS AND TRANSPORT		PREPARED BY	CHECKED BY	APPROVED BY	SCALE
		NAME			1:2,000
		SIGNATURE			SHEET NO. 2-2 (2)
		DATE			DRAWING NO.
					REV. NO.



VERTICAL ALIGNMENT	FORMATION HEIGHT	GROUND LEVEL	STA NO.
			0+800
			0+925
			0+950
			0+975
			1+000
			1+025
			1+050
			1+075
			1+100
			1+125
			1+150
			1+175
			1+200
			1+216.665
			1+225
			1+250
			1+275
			1+300
			1+325
			1+350
			1+375
			1+394.326
			1+400
			1+425
			1+450
			1+475
			1+488.213
			1+500
			1+525
			1+536.616

REMARKS:

JAPAN INTERNATIONAL COOPERATION AGENCY

MINISTRY OF WORKS AND TRANSPORT

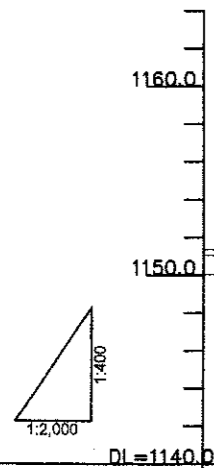
The Study on Greater Kampala Road Network and Transport Improvement
in the Republic of Uganda

Nippon Koei Co., Ltd.
Eight-Japan Engineering Consultants Inc.

DRAWING TITLE
Plan and Profile for Mukwano Rd. (3/4)

NAME	PREPARED BY	CHECKED BY	APPROVED BY
SIGNATURE			
DATE			

SCALE	SHEET NO.	DRAWING NO.	REV. NO.
1:2,000	2-2 (3)		



VERTICAL ALIGNMENT											
FORMATION HEIGHT	1150.303	1151.251	1151.167	1151.084	1151.001	1150.957	1150.917	1150.834	1150.795	1150.751	1150.719
GROUND LEVEL	1150.970	1150.978	1151.012	1150.975	1151.119	1151.150	1151.072	1150.898	1150.807	1150.764	1150.719
STA NO.	1+384.328	1+400	1+425	1+450	1+475	1+488.213	1+500	1+525	1+536.616	1+550	1+559.354

REMARKS:

JAPAN INTERNATIONAL COOPERATION AGENCY

MINISTRY OF WORKS AND TRANSPORT

The Study on Greater Kampala Road Network and Transport Improvement
in the Republic of Uganda

Nippon Koei Co., Ltd.
Eight-Japan Engineering Consultants Inc.

DRAWING TITLE

Plan and Profile for Mukwano Rd. (4/4)

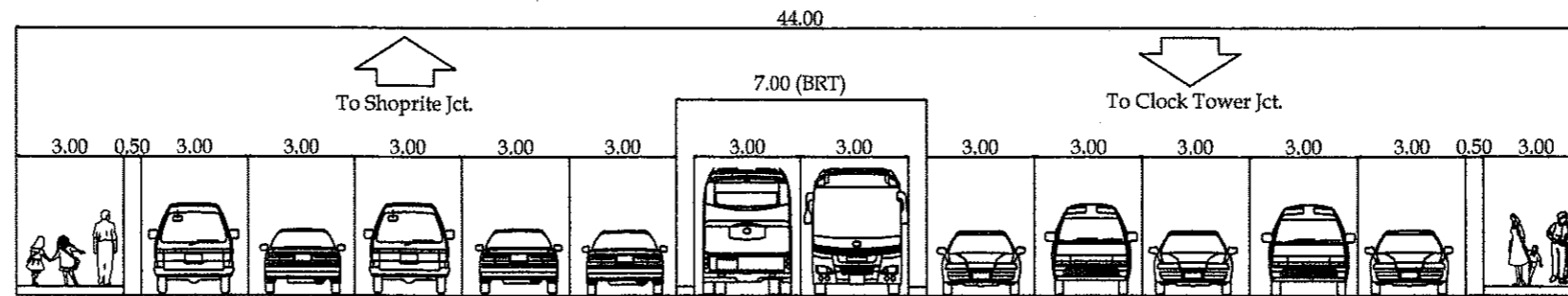
	PREPARED BY	CHECKED BY	APPROVED BY
NAME			
SIGNATURE			
DATE			

SCALE	SHEET NO.	DRAWING NO.	REV. NO.
1:2,000	2-2 (4)		-

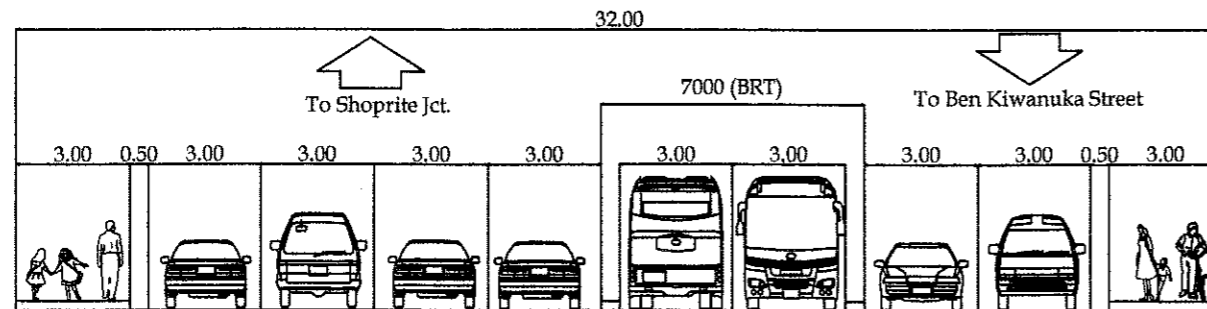
PROJECT 3

SHOPRITE AND CLOCK TOWER JUNCTIONS TRAFFIC SAFETY IMPROVEMENT PROJECT

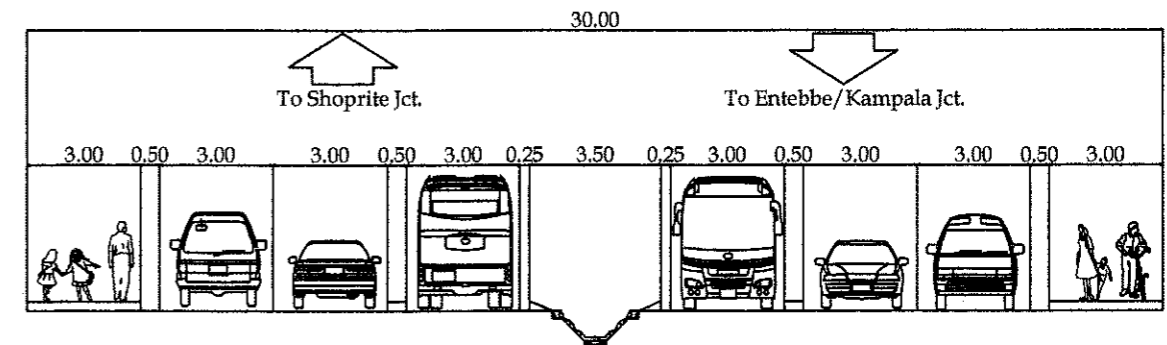
Entebbe Road
(Clock Tower Jct. - Shoprite Jct.)



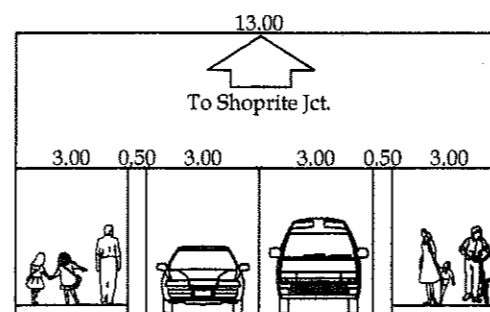
Ben Kiwanuka Street



Entebbe Road
(Entebbe/Kampala Jct. - Shoprite Jct.)



Sikh Street
(Kampala Road - Shoprite Jct.)



JAPAN INTERNATIONAL COOPERATION AGENCY

MINISTRY OF WORKS AND TRANSPORT

REMARKS:

The Study on Greater Kampala Road Network and Transport Improvement
in the Republic of Uganda

Nippon Koei Co., Ltd.
Eight-Japan Engineering Consultants Inc.

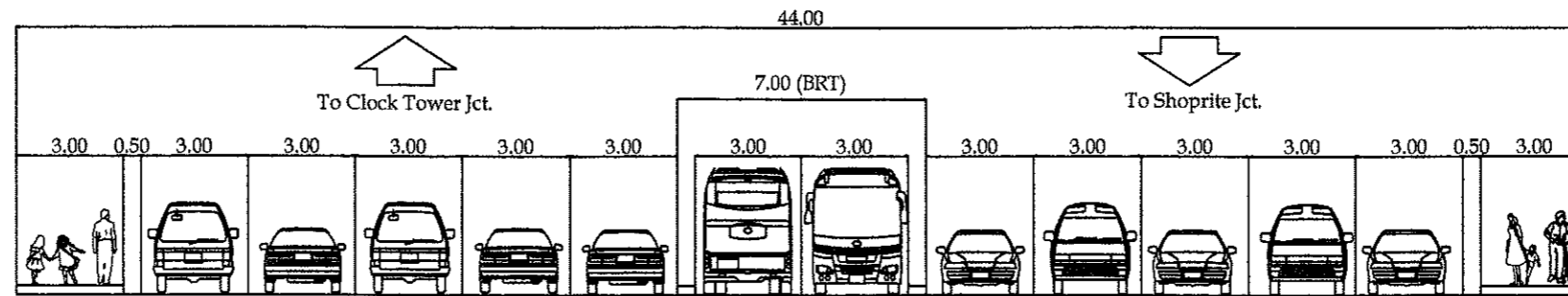
DRAWING TITLE

Typical Cross Section for Shoprite Jct.

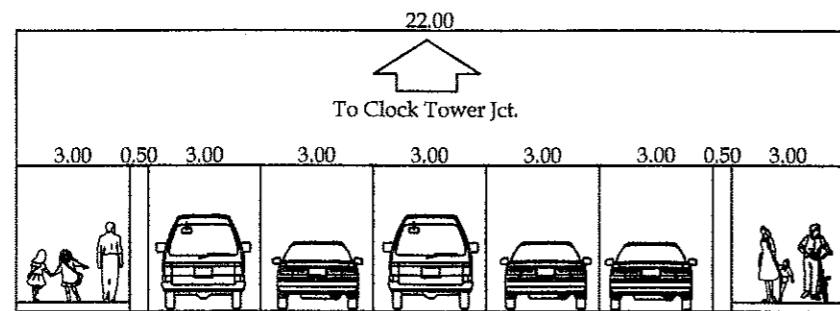
	PREPARED BY	CHECKED BY	APPROVED BY
NAME			
SIGNATURE			
DATE			

SCALE	SHEET NO.	DRAWING NO.	REV. NO.
1:200	3-1 (1)		-

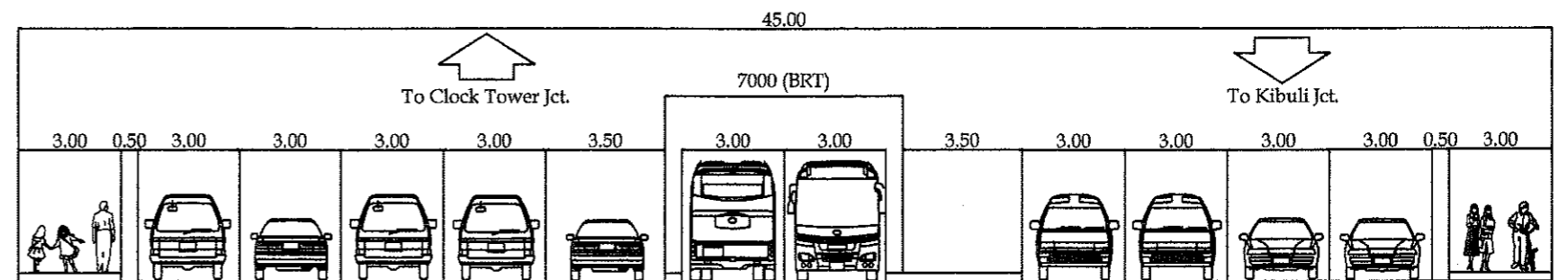
Entebbe Road
(Shoprite Jct. - Clock Tower Jct.)



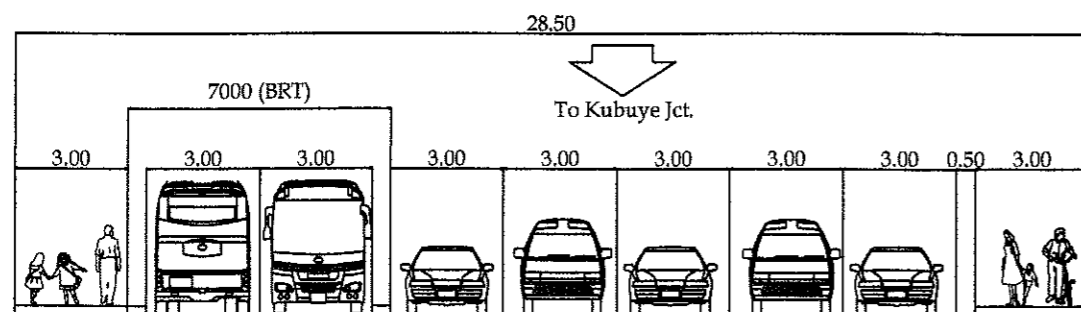
Mengo Hill Road



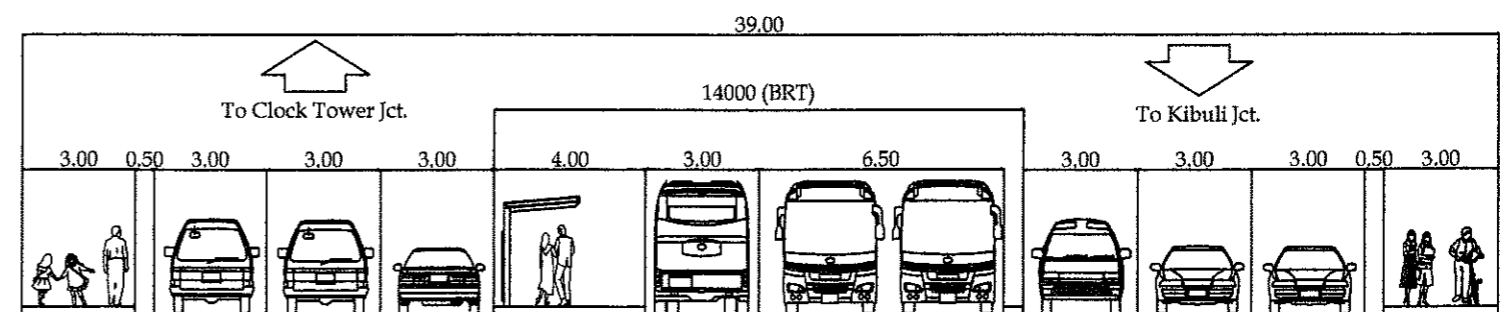
Nsambya Road
(Kibuli Jct. - Clock Tower Jct.)



Queen's Way



Nsambya Road
(At Station for the BRT)



JAPAN INTERNATIONAL COOPERATION AGENCY

MINISTRY OF WORKS AND TRANSPORT

REMARKS:

The Study on Greater Kampala Road Network and Transport Improvement
in the Republic of Uganda

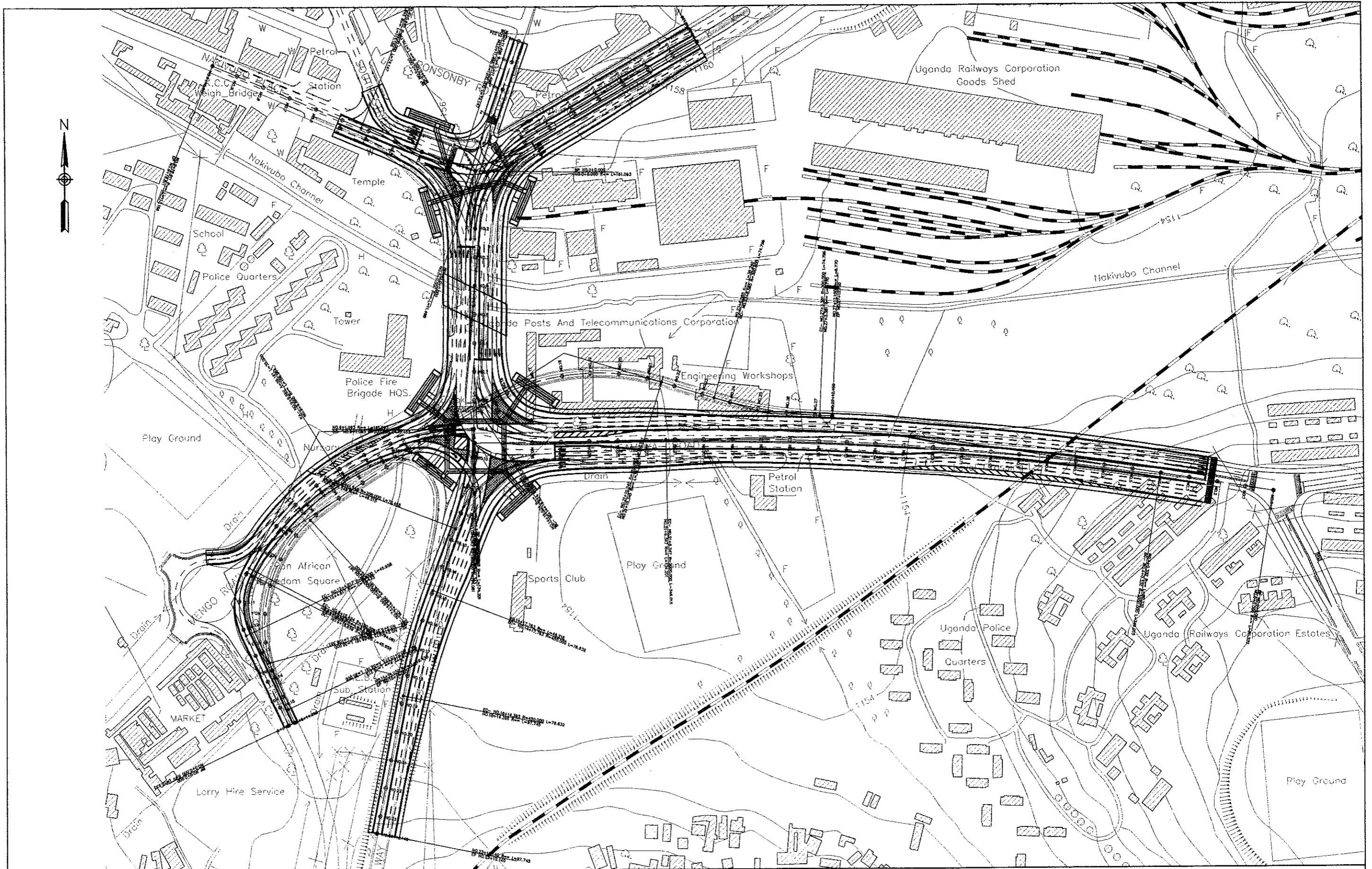
Nippon Koei Co., Ltd.
Eight-Japan Engineering Consultants Inc.

DRAWING TITLE

Typical Cross Section for Clock Tower Jct.

	PREPARED BY	CHECKED BY	APPROVED BY
NAME			
SIGNATURE			
DATE			

SCALE	SHEET NO.	DRAWING NO.	REV. NO.
1:200	3-1 (2)		-



JAPAN INTERNATIONAL COOPERATION AGENCY

MINISTRY OF WORKS AND TRANSPORT

REMARKS:

The Study on Greater Kampala Road Network and Transport Improvement
in the Republic of Uganda

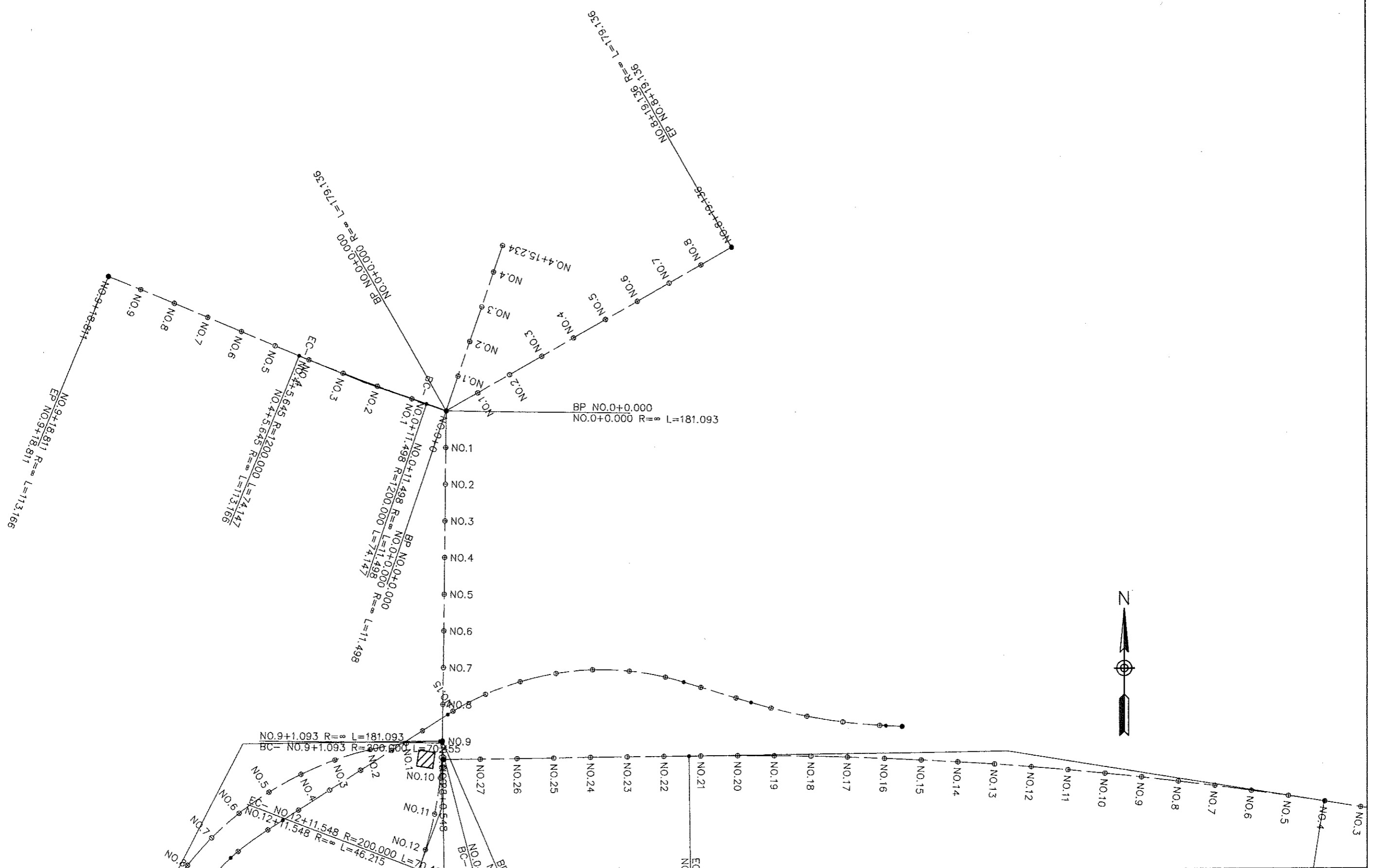
Nippon Koei Co., Ltd.
Eight-Japan Engineering Consultants Inc.

DRAWING TITLE

GENERAL PLAN

	PREPARED BY	CHECKED BY	APPROVED BY
NAME			
SIGNATURE			
DATE			

SCALE	SHEET NO.	DRAWING NO.	REV. NO.
1:1,250	3-2		-

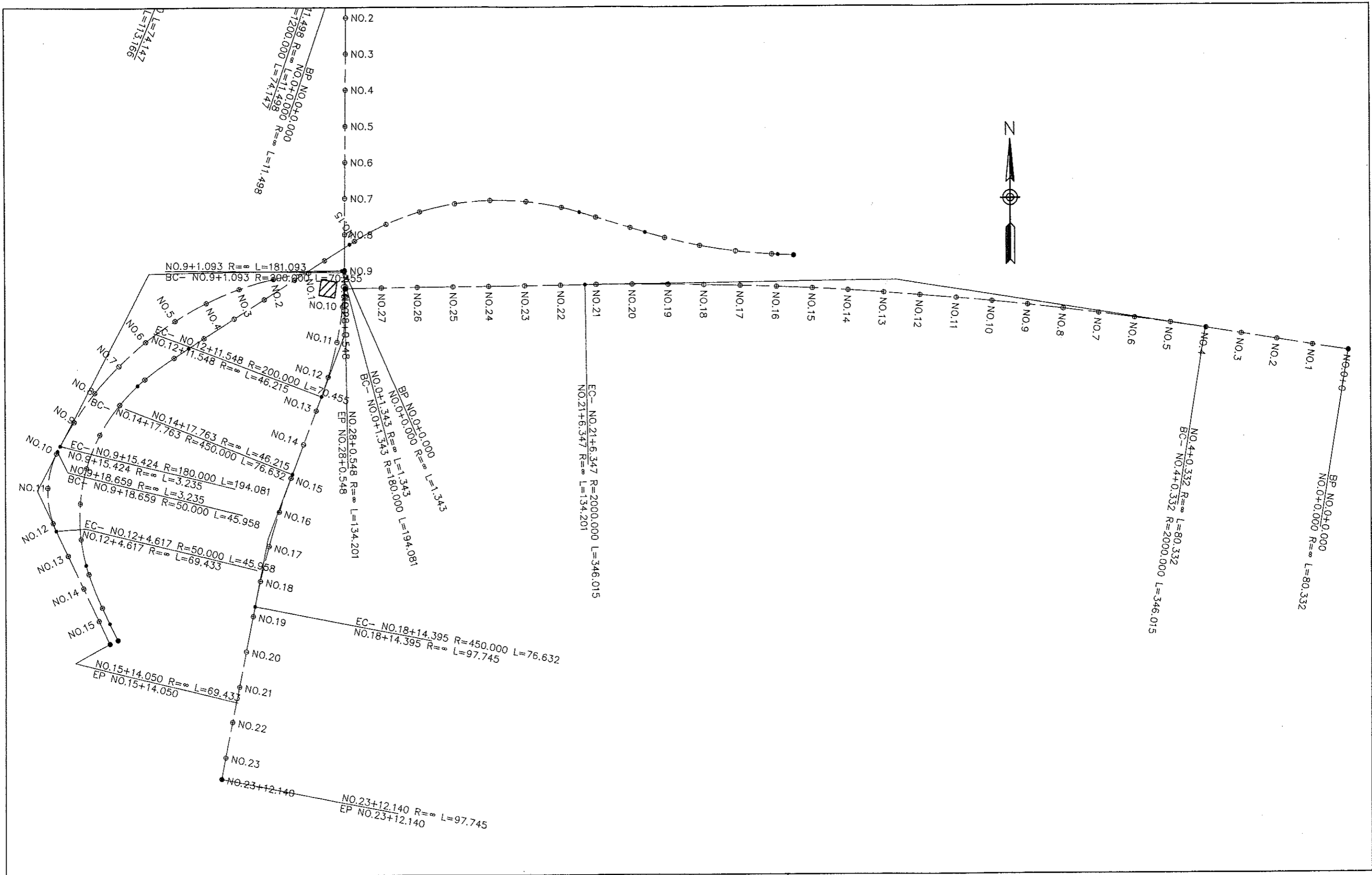


JAPAN INTERNATIONAL COOPERATION AGENCY

MINISTRY OF WORKS AND TRANSPORT

REMARKS:

The Study on Greater Kampala Road Network and Transport Improvement in the Republic of Uganda			
Nippon Koei Co., Ltd. Eight-Japan Engineering Consultants Inc.			DRAWING TITLE
			ALIGNMENT PLAN
	PREPARED BY	CHECKED BY	APPROVED BY
NAME			
SIGNATURE			
DATE			
SCALE	SHEET NO.	DRAWING NO.	REV. NO.
1:1,000	3-3 (1)		-

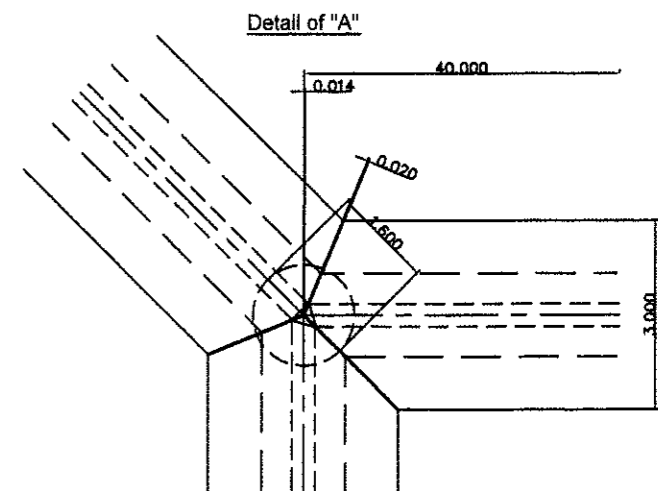
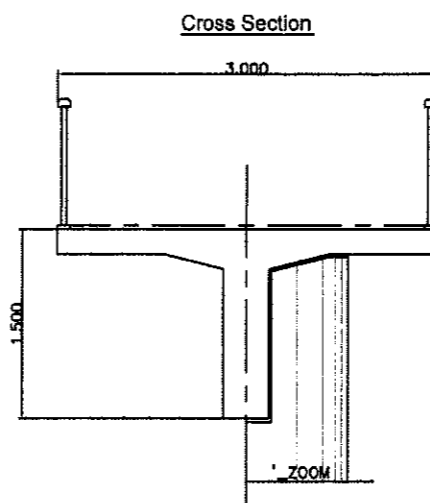
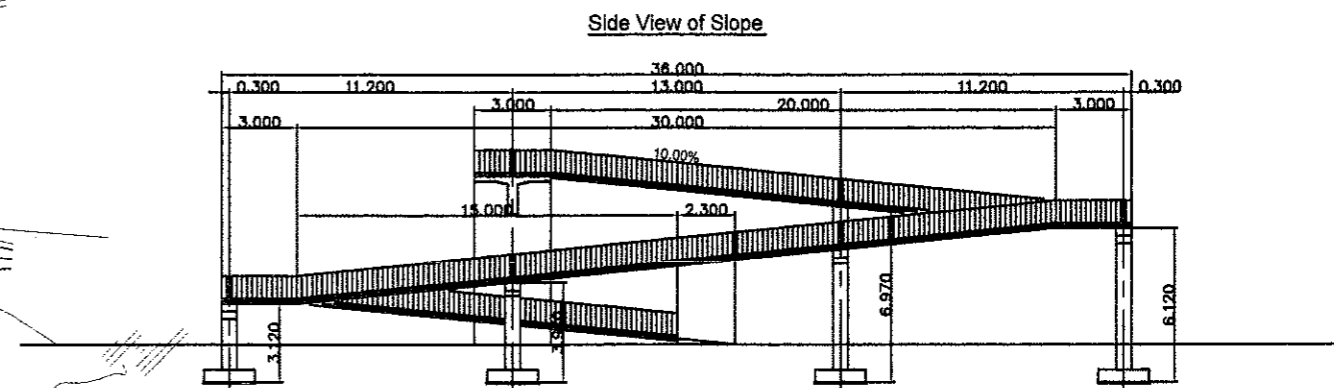
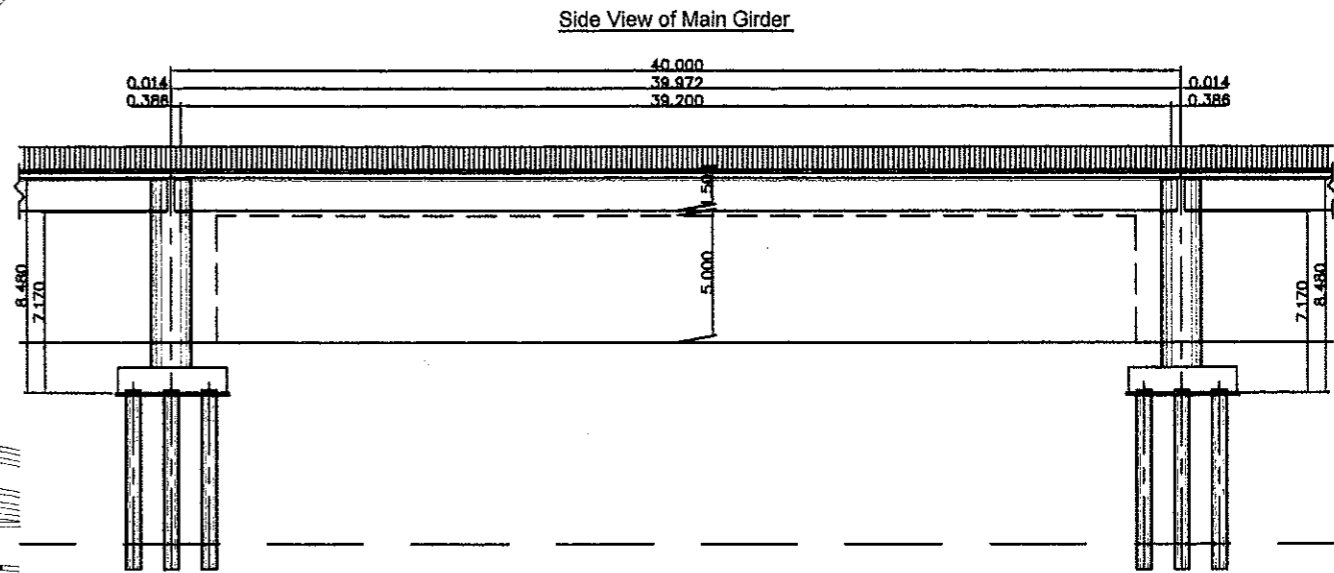
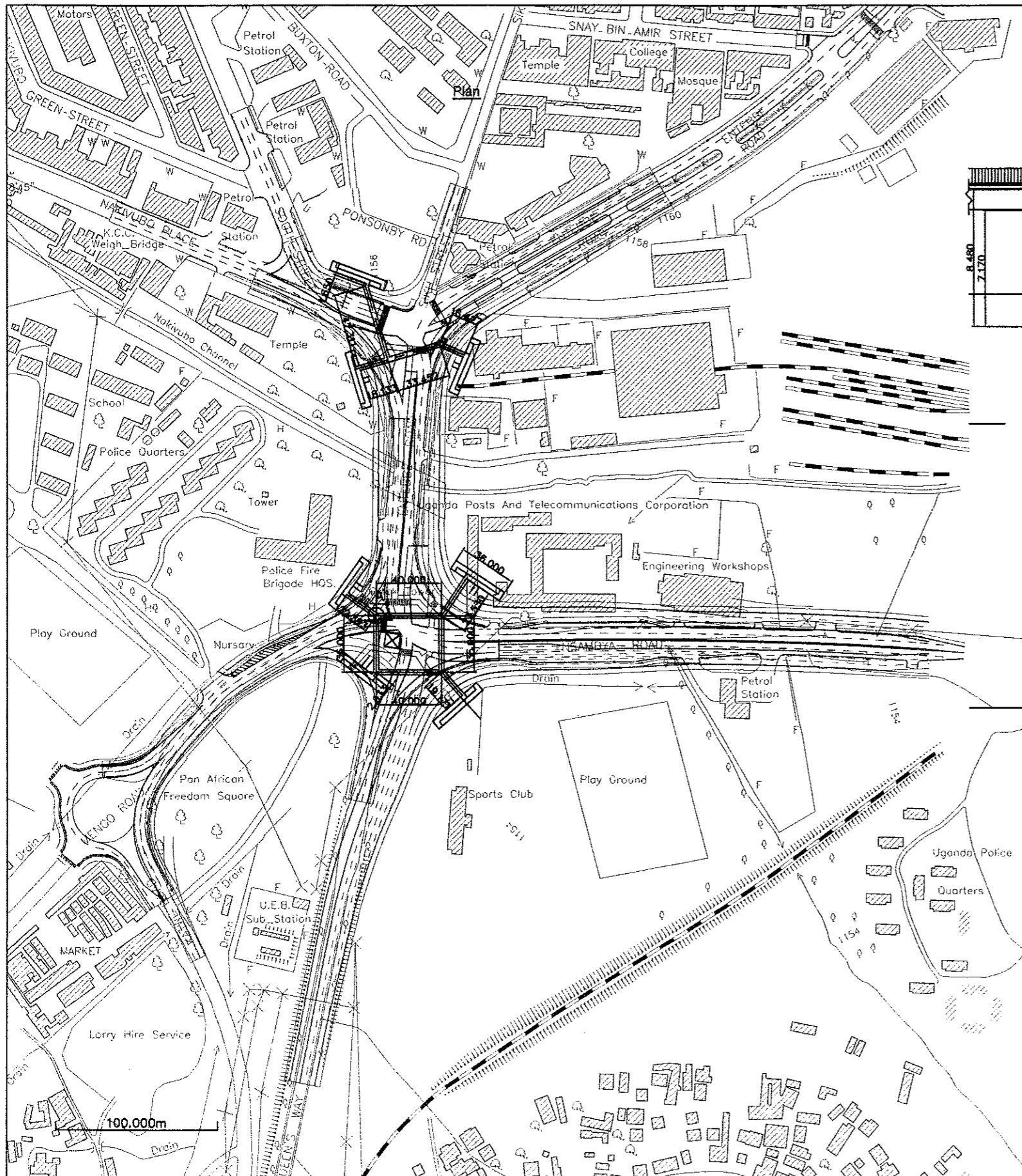


JAPAN INTERNATIONAL COOPERATION AGENCY

MINISTRY OF WORKS AND TRANSPORT

REMARKS:

The Study on Greater Kampala Road Network and Transport Improvement in the Republic of Uganda			
Nippon Koei Co., Ltd. Eight-Japan Engineering Consultants Inc.			DRAWING TITLE
			ALIGNMENT PLAN
	PREPARED BY	CHECKED BY	APPROVED BY
NAME			
SIGNATURE			
DATE			
SCALE	SHEET NO.	DRAWING NO.	REV. NO.
1:1,000	3-3 (2)		-



JAPAN INTERNATIONAL COOPERATION AGENCY

MINISTRY OF WORKS AND TRANSPORT

REMARKS:

The Study on Greater Kampala Road Network and Transport Improvement in the Republic of Uganda				DRAWING TITLE			
Nippon Koei Co., Ltd. Eight-Japan Engineering Consultants Inc.				PEDESTRIAN BRIDGE (Shoprite and Clock Tower Junctions)			
PREPARED BY	CHECKED BY	APPROVED BY	NAME	SCALE	SHEET NO.	DRAWING NO.	REV. NO.
T. Yoshida	S. Konda	H. Shinkai		1/3,000	3-4		-
DATE	2010/08/12	2010/08/14	2010/08/18				