

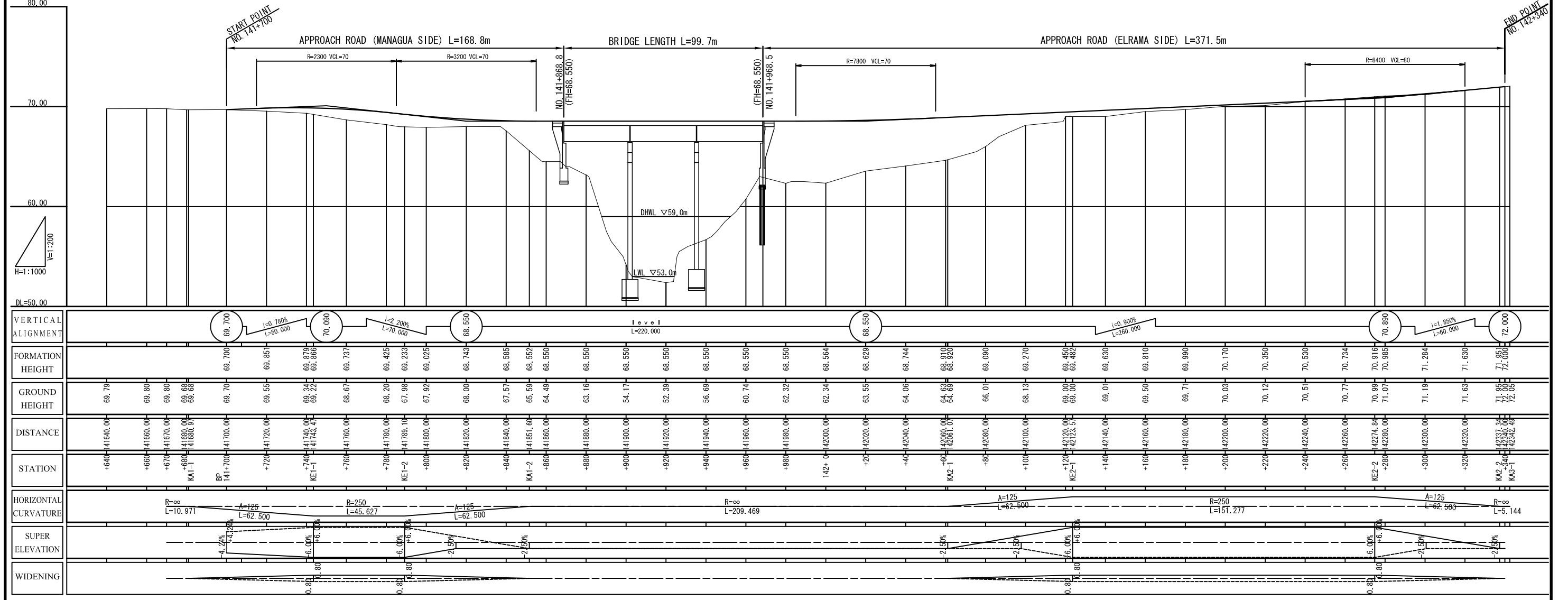
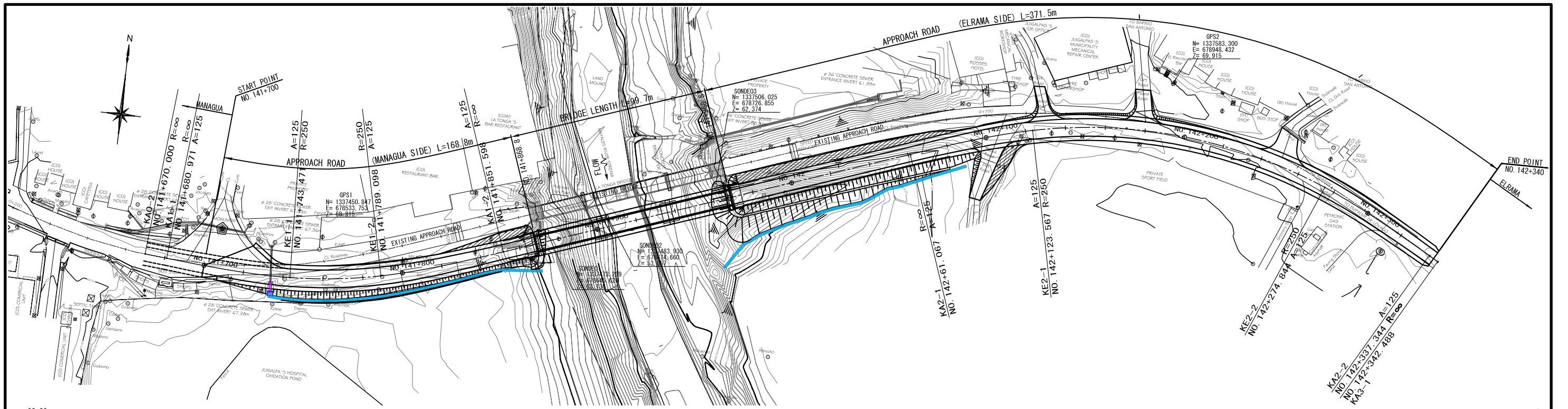
LA TONGA BRIDGE

CONTENTS OF DRAWINGS (LA TONGA)

No.	DRAWING TITLE	No. of Sheets	DRAWING No.
1	LOCATION MAP (ロケーションマップ)	1	LT-01
2	GENERAL PLAN AND PROFILE OF APPROACH ROAD (取り付け道路平面・縦断図)	1	LT-02
3	GENERAL VIEW OF BRIDGE (橋梁一般図)	1	LT-03
4	STRUCTURAL DRAWING OF SUPERSTRUCTURE (橋梁上部工構造図)	1	LT-04
5	STRUCTURAL DRAWING OF A1 AND A2 ABUTMENTS (橋台構造図)	2	LT-05~06
6	STRUCTURAL DRAWING OF P1 AND P2 BRIDGE PIERS (橋脚構造図)	1	LT-07
7	PLAN OF APPROACH ROAD (DRAINAGE AND ANCILLARY) (取り付け道路施設平面図)	1	LT-08
8	TYPICAL CROSS SECTION OF APPROACH ROAD (取り付け道路標準横断図)	1	LT-09
9	CROSS SECTION OF APPROACH ROAD (取り付け道路横断図)	4	LT-10~13
10	STRUCTURES OF DRAINAGE FACILITIES (排水構造図)	1	LT-14
11	ANCILLARY WORK (付属施設構造図)	1	LT-15
12	STANDARD TREATMENT OF ACCESS ROAD (アクセス道路構造図)	1	LT-16
13	STANDARD PAVEMENT AND PEDESTRIAN MARKINGS (路面表示工構造図)	1	LT-17

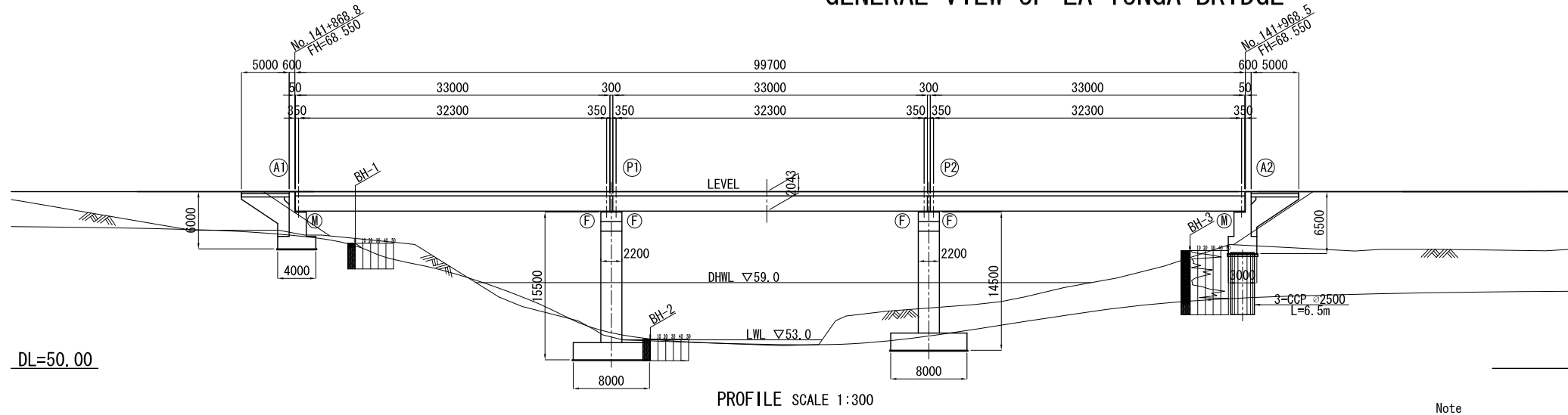


<p>MINISTRY OF TRANSPORT AND INFRASTRUCTURE (MTI)</p>	<p>THE PREPARATORY STUDY ON THE PROJECT FOR RECONSTRUCTION OF BRIDGES ON MANAGUA - EL RAMA ROAD IN THE REPUBLIC OF NICARAGUA</p>	<p>JAPAN INTERNATIONAL COOPERATION AGENCY CTI ENGINEERING INTERNATIONAL CO., LTD.</p>	<p>TITLE : LOCATION MAP (LA TONGA)</p>	<p>SCALE(A1size) 1:1,500,000</p>	<p>Drawing No. LT-01</p>
---	--	---	---	--------------------------------------	------------------------------



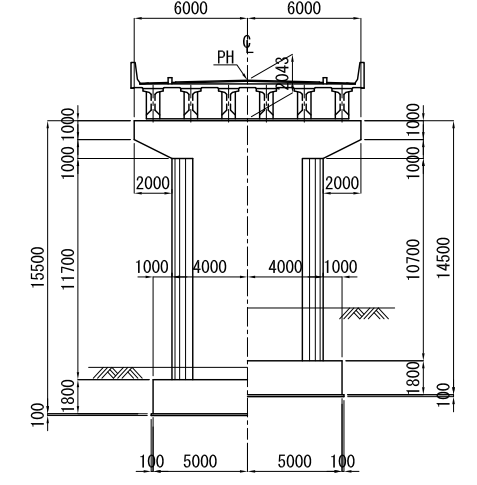
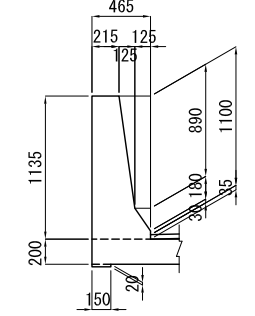
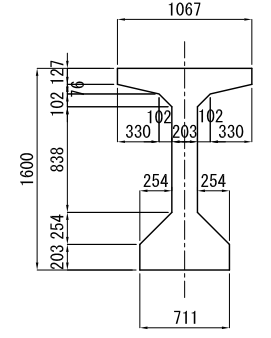
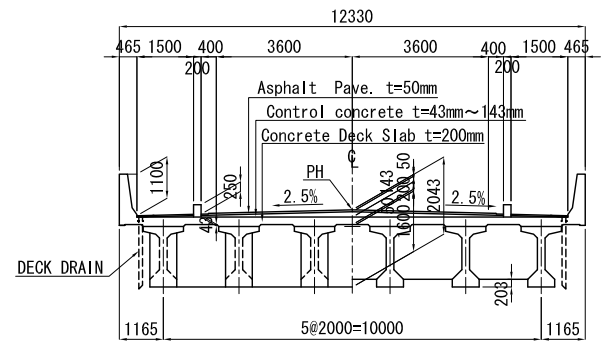
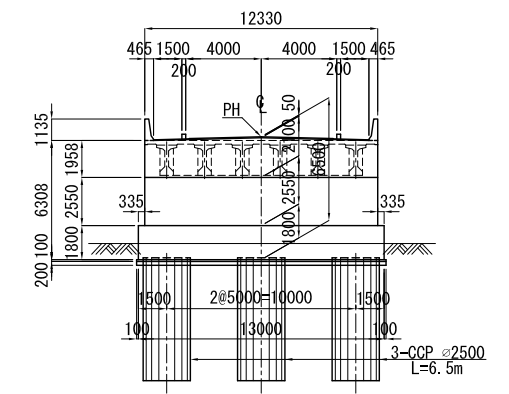
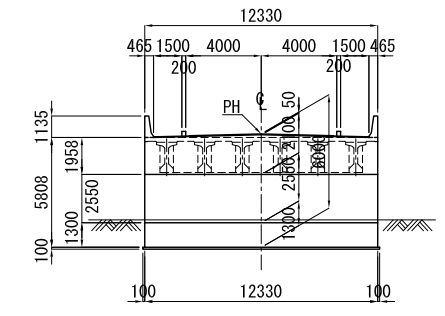
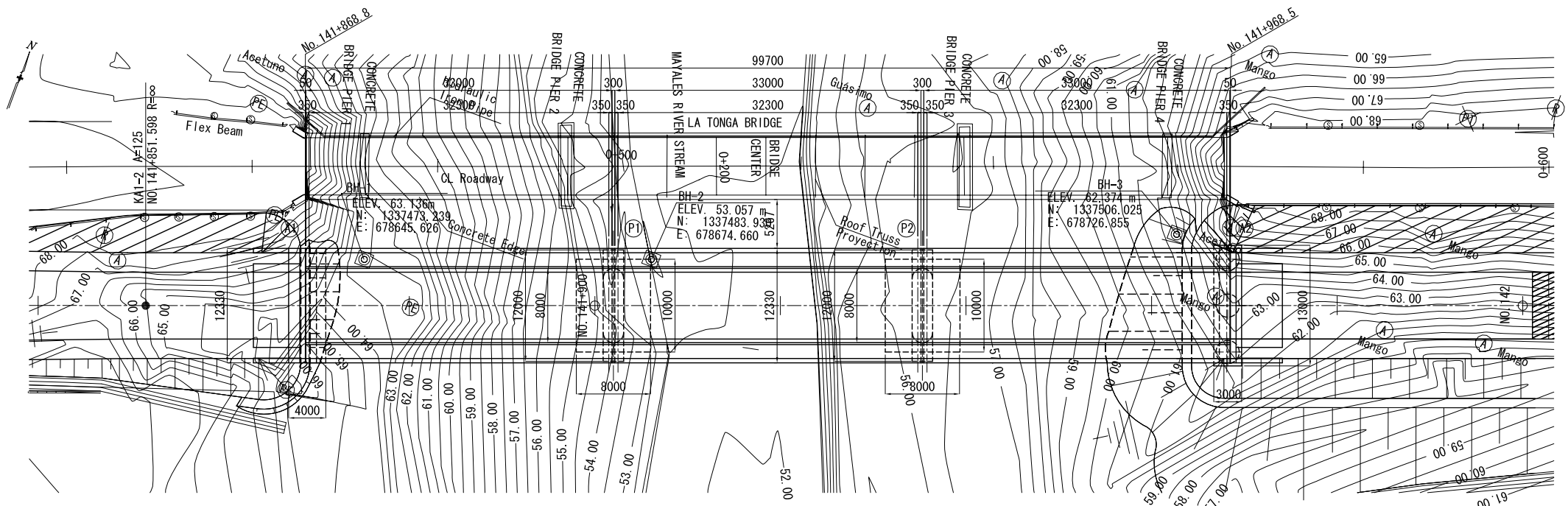
MINISTRY OF TRANSPORT AND INFRASTRUCTURE (MTI)	THE PREPARATORY STUDY ON THE PROJECT FOR RECONSTRUCTION OF BRIDGES ON MANAGUA - EL RAMA ROAD IN THE REPUBLIC OF NICARAGUA	JAPAN INTERNATIONAL COOPERATION AGENCY CTI ENGINEERING INTERNATIONAL CO., LTD.	TITLE : GENERAL PLAN AND PROFILE OF APPROACH ROAD	SCALE(A1size) PL S=1:1,000 PR V=1:200 H=1:1,000	Drawing No. LT-02
--	--	---	--	--	----------------------

GENERAL VIEW OF LA TONGA BRIDGE



DL=50.00

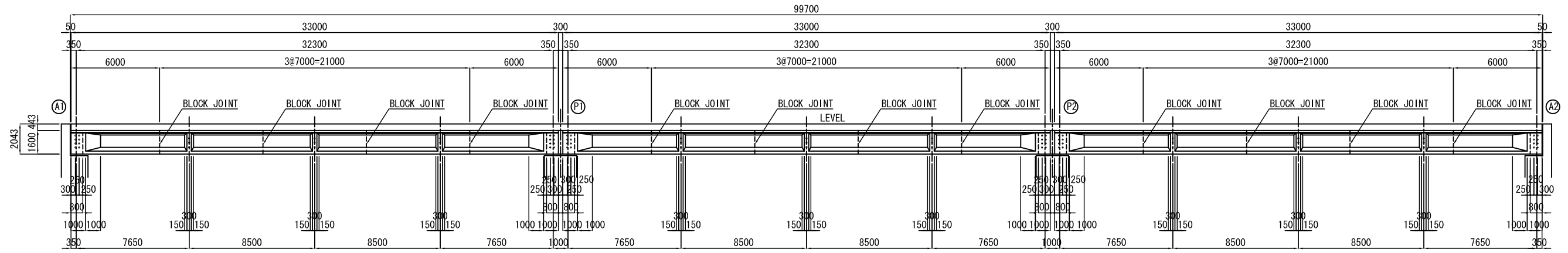
Note
F : Fixed Support
M : Movable Support



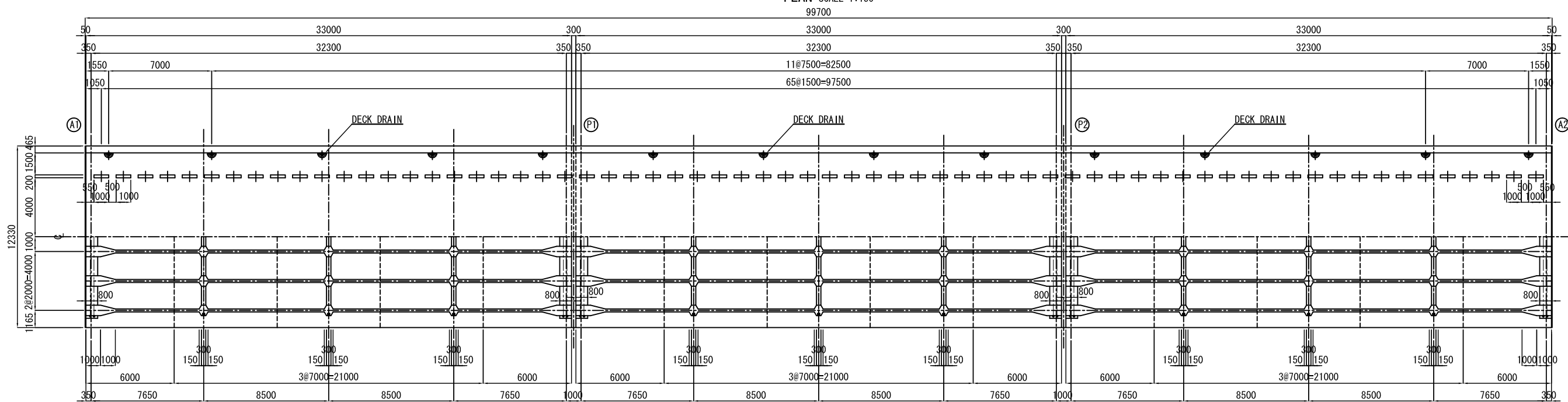
DESIGN CRITERIA	
Classification of Road	Arterial Road
Design Speed	80km/h
Live load	AASHTO HS20-44×125% or equivalent
Bridge Length	99.70m
Span Length	32.30m+32.30m+32.30m
Total Width	12.33m(Roadway 2×3.60m, Sidwalk 2×1.50m)
Design Seismic Coefficient	kh=0.2
Superstructure Type	PC I-Girder
Substructure Type	Reversed T abutment, wall type concrete pier
Foundation Type	Spread Footing / Cast in situ concrete pile
Specification Criteria	Specifications for Highway Bridges (Japan Road Asso.) Standard Specifications for Highway Bridges (AASHTO)

STRUCTURAL DRAWING OF SUPERSTRUCTURE

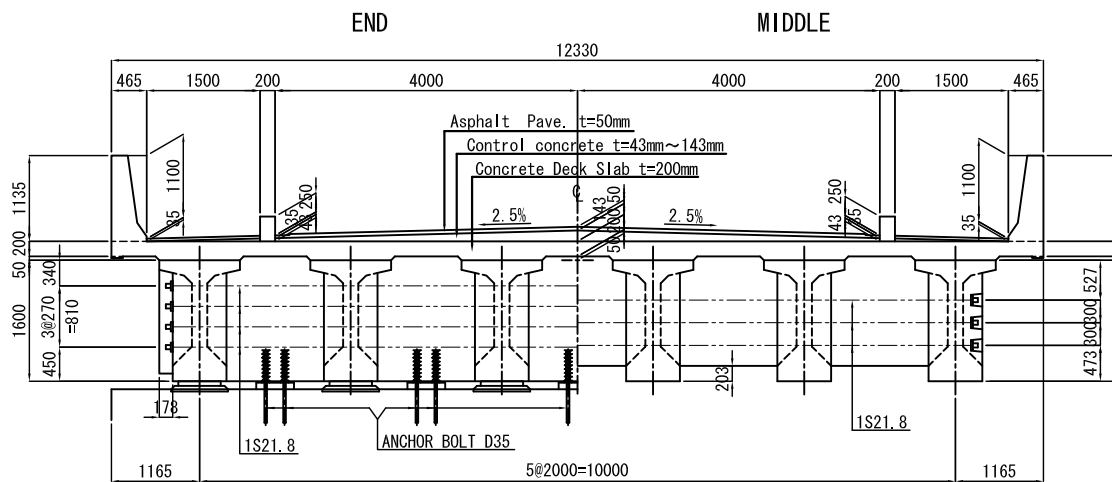
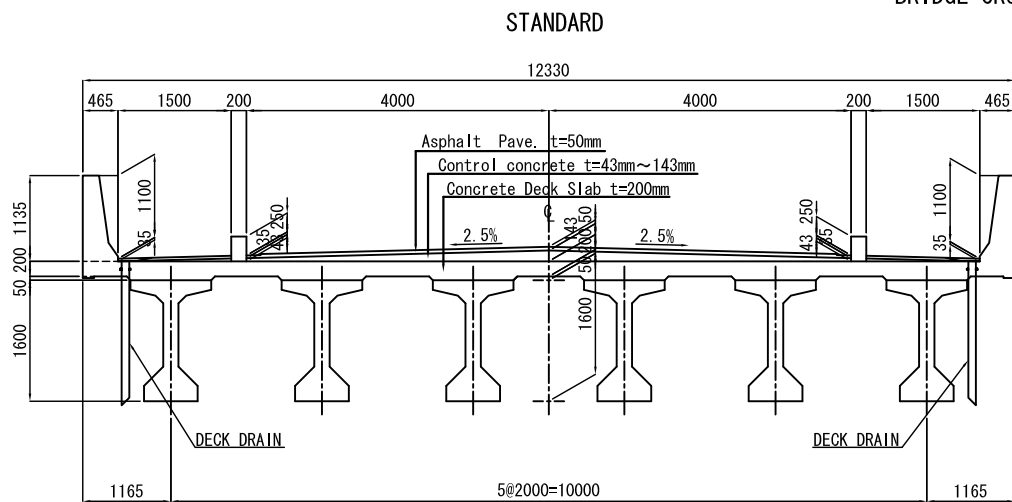
ELEVATION SCALE 1:150



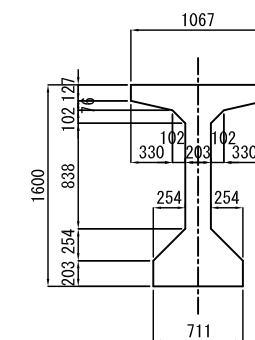
PLAN SCALE 1:150



BRIDGE CROSS SECTION SCALE 1:50



PC GIRDER TYPE V SCALE 1:30



DETAILS OF RAILING SCALE 1:30

