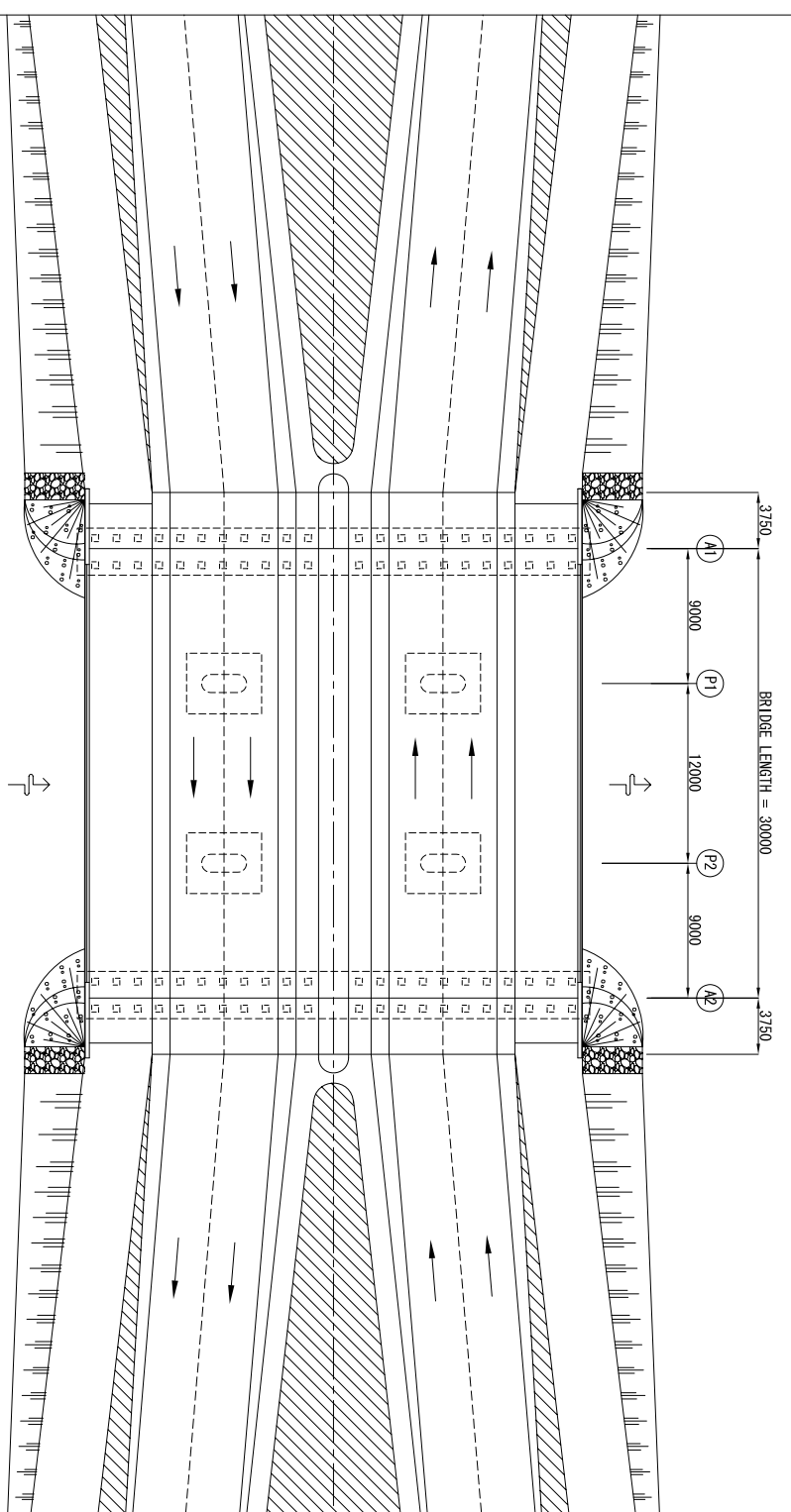
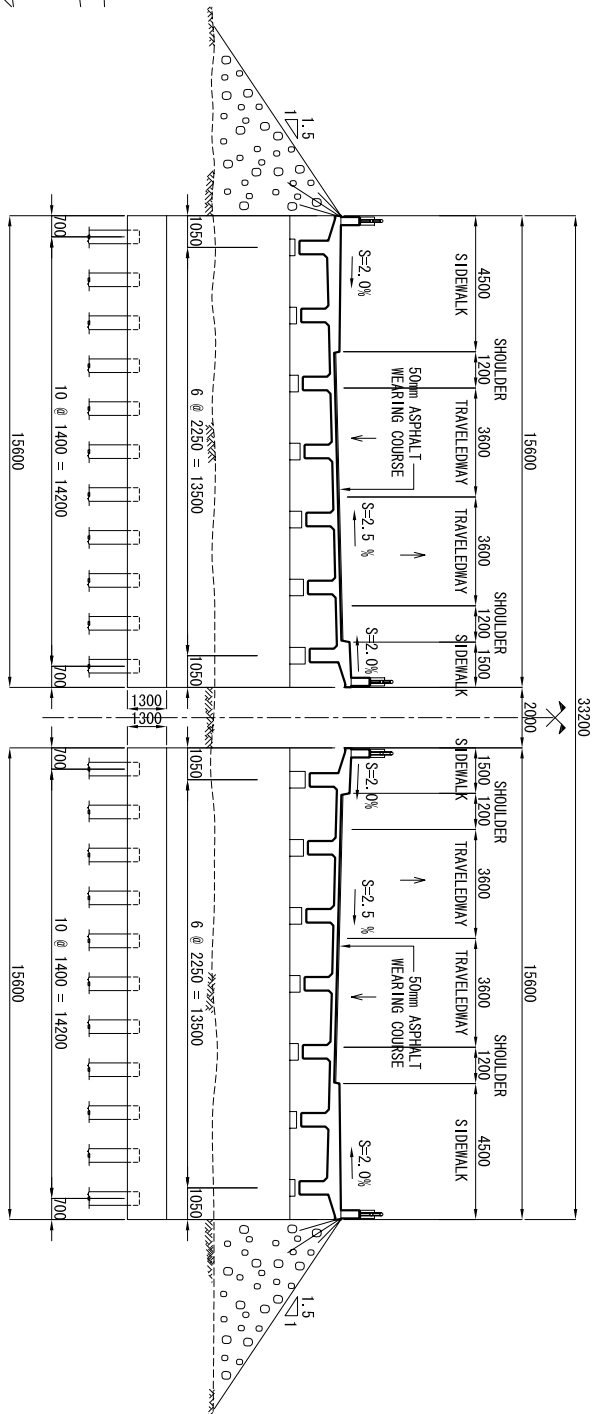


A ELEVATION
SCALE 1:250 mts



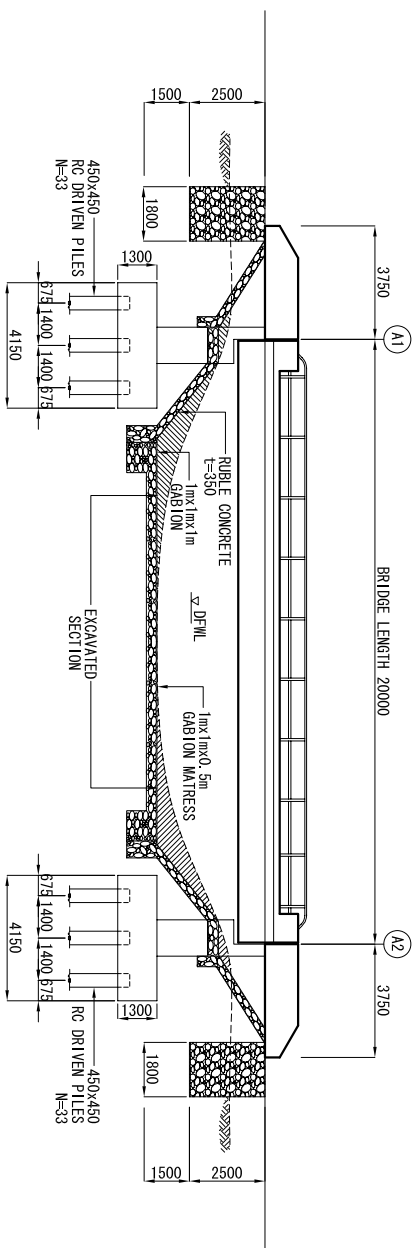
B PLAN
SCALE 1:500 mts



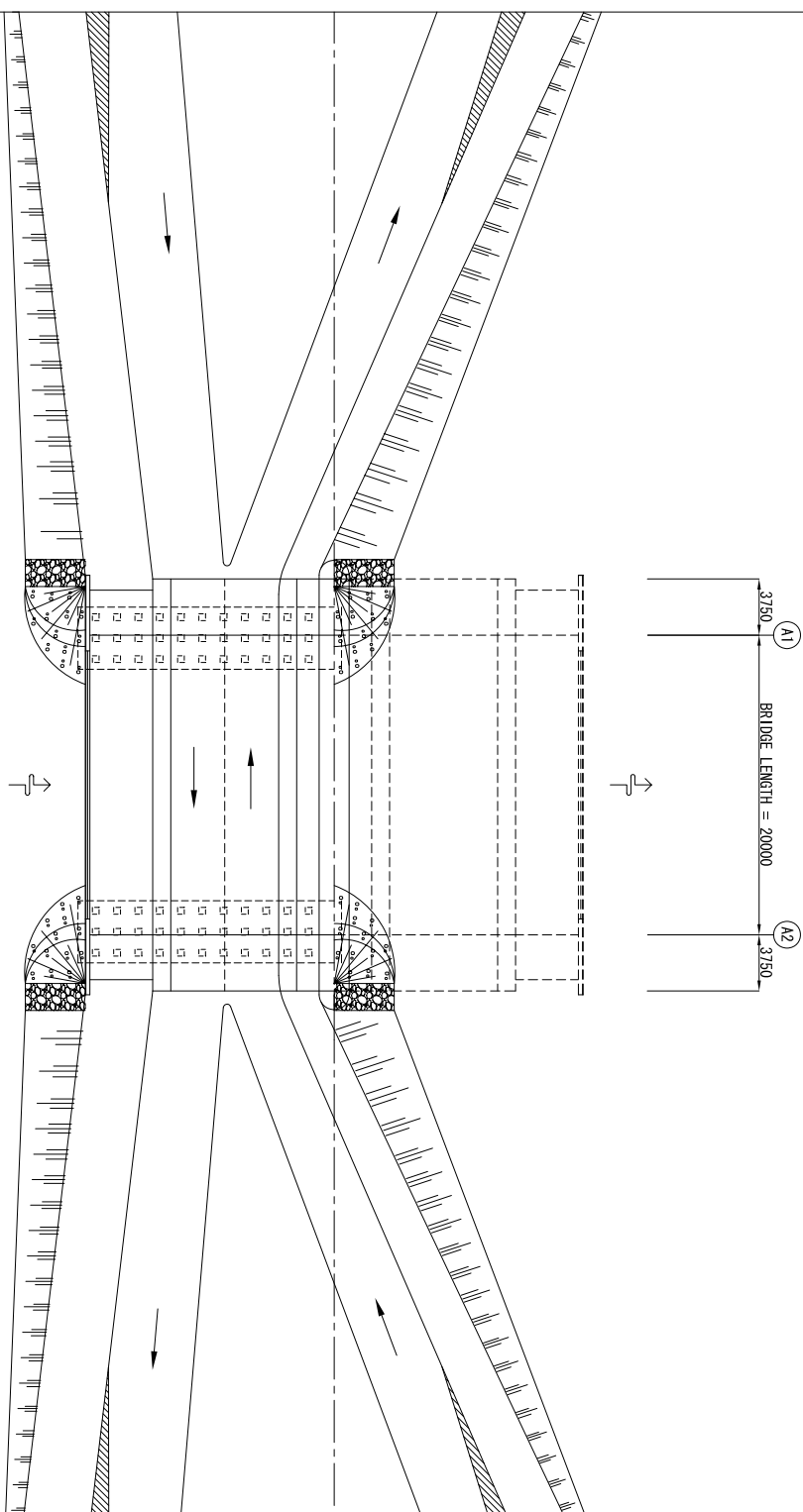
C ABUTMENT SECTION
SCALE 1:250 mts

1 BRIDGE PLAN VIEW

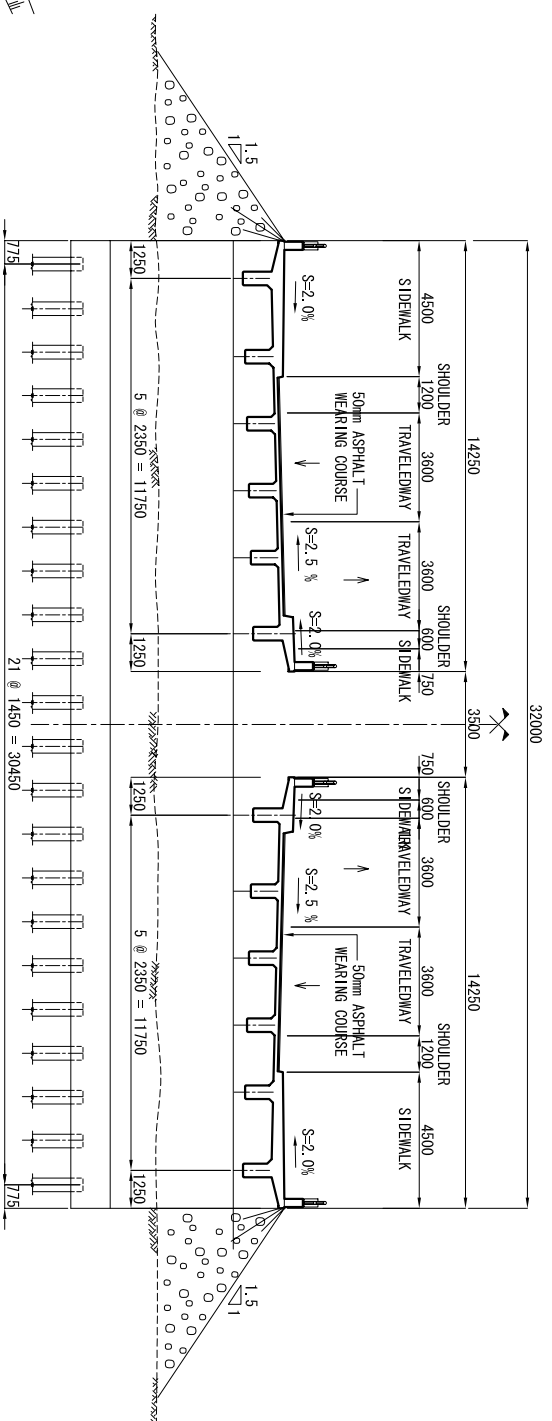
MINISTRY OF TRANSPORT AND ROADS GOVERNMENT OF SOUTHERN SUDAN MINISTRY OF PHYSICAL INFRASTRUCTURE CENTRAL EQUATORIA STATE		JUBA URBAN TRANSPORT INFRASTRUCTURE AND CAPACITY DEVELOPMENT STUDY IN THE SOUTHERN SUDAN		CTI ENGINEERING INTERNATIONAL CO.,LTD YACHIYO ENGINEERING CO.,LTD.	
TITLE : TYPICAL BRIDGE FOR LENGTH 30 METERS			SCALE AS SHOWN	Drawing No. BR-6	Sheet No. 46



A ELEVATION
SCALE 1:250 mts



B PLAN
SCALE 1:500 mts



C ABUTMENT SECTION
SCALE 1:250 mts

1 BRIDGE PLAN VIEW

NOTES:
1. THIS DRAWING IS FOR REFERENCE ONLY AND NOT FOR CONSTRUCTION USE.
2. THE COORDINATES AND ELEVATION ARE BASED ON THE TOPOGRAPHIC MAP PREPARED BY USING SATELLITE IMAGE OF JUBA IN MARCH OF 2009 AND IS NOT BASED ON THE FIELD SURVEY.

MINISTRY OF TRANSPORT AND ROADS
GOVERNMENT OF SOUTHERN SUDAN
MINISTRY OF PHYSICAL INFRASTRUCTURE
CENTRAL EQUATORIA STATE

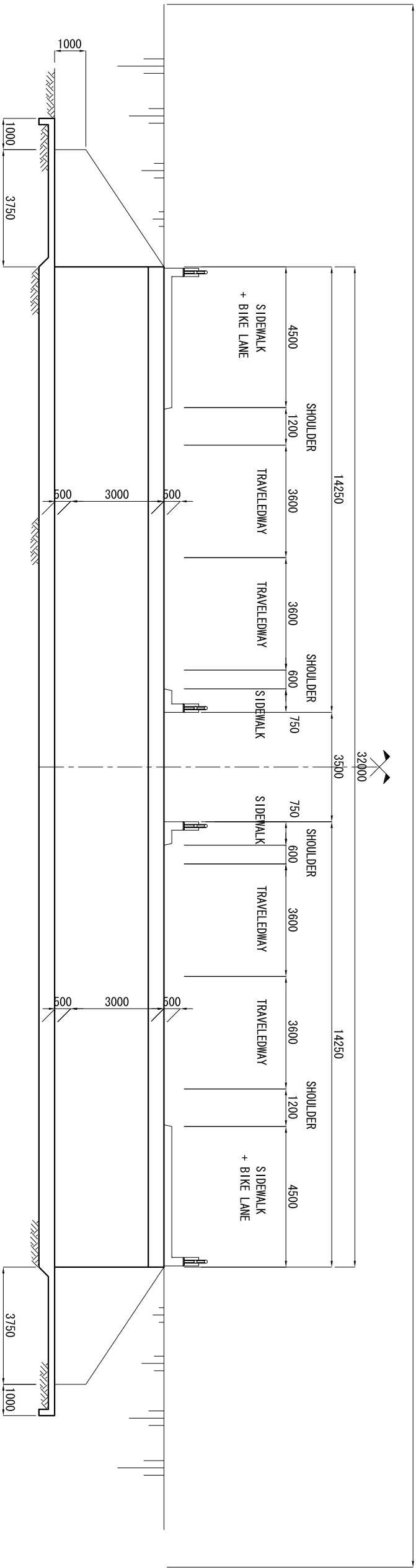
JUBA URBAN TRANSPORT INFRASTRUCTURE
AND CAPACITY DEVELOPMENT STUDY
IN THE SOUTHERN SUDAN

CTI ENGINEERING INTERNATIONAL CO.,LTD
YACHIYO ENGINEERING CO.,LTD.

TITLE:
TYPICAL BRIDGE FOR LENGTH 20 METERS

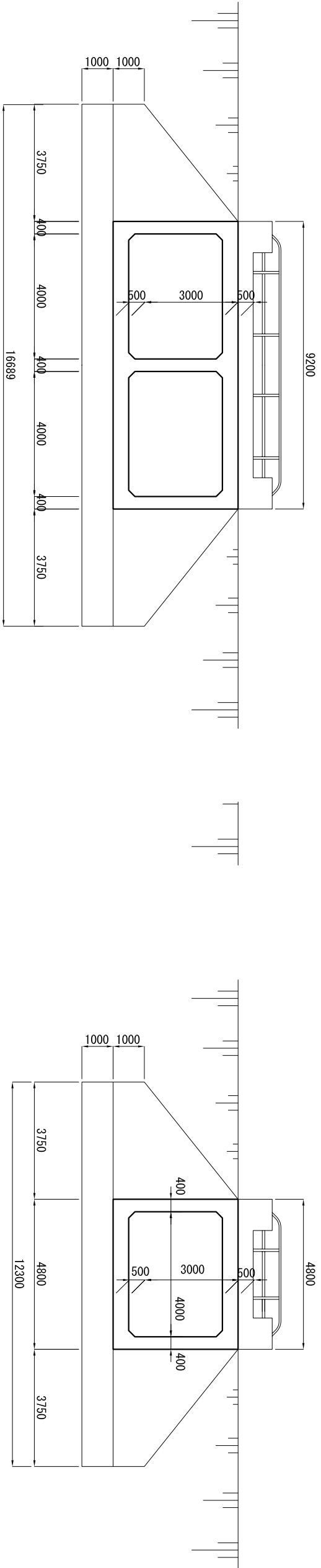
SCALE
AS SHOWN

Drawing No.	BR-7
Sheet No.	47

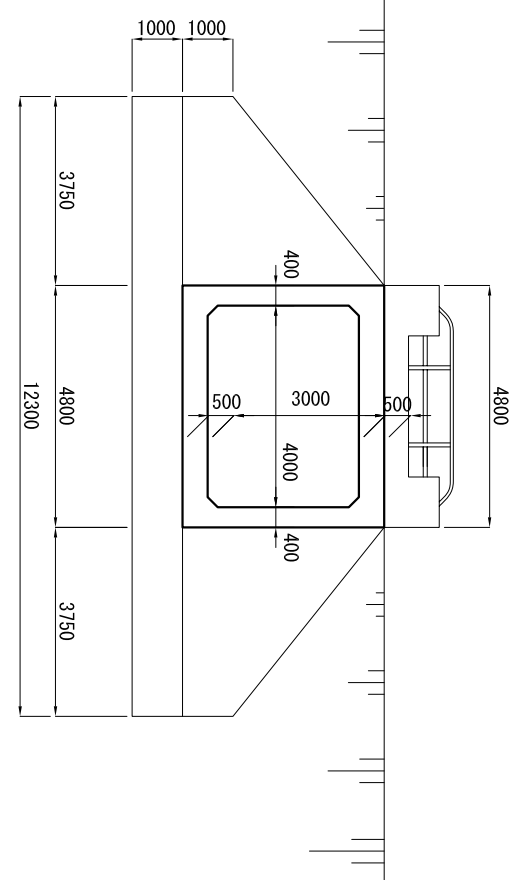


A TYPICAL ELEVATION FOR C2 & C3
SCALE 1:150 mts

NOTES:
1. THIS DRAWING HAS NOT PREPARED FOR THE CONSTRUCTION AND THEREFORE SHOULD BE USED FOR REFERENCE ONLY.



B DOUBLE CELL BOX CULVERT
SCALE 1:150 mts



C SINGLE CELL BOX CULVERT
SCALE 1:150 mts

MINISTRY OF TRANSPORT AND ROADS
GOVERNMENT OF SOUTHERN SUDAN
MINISTRY OF PHYSICAL INFRASTRUCTURE
CENTRAL EQUATORIA STATE

JUBA URBAN TRANSPORT INFRASTRUCTURE
AND CAPACITY DEVELOPMENT STUDY
IN THE SOUTHERN SUDAN

CTI ENGINEERING INTERNATIONAL CO.,LTD
YACHIYO ENGINEERING CO.,LTD.

TITLE :
TYPICAL BOX CULVERT FOR ARTERIAL
ROADS C2 & C3

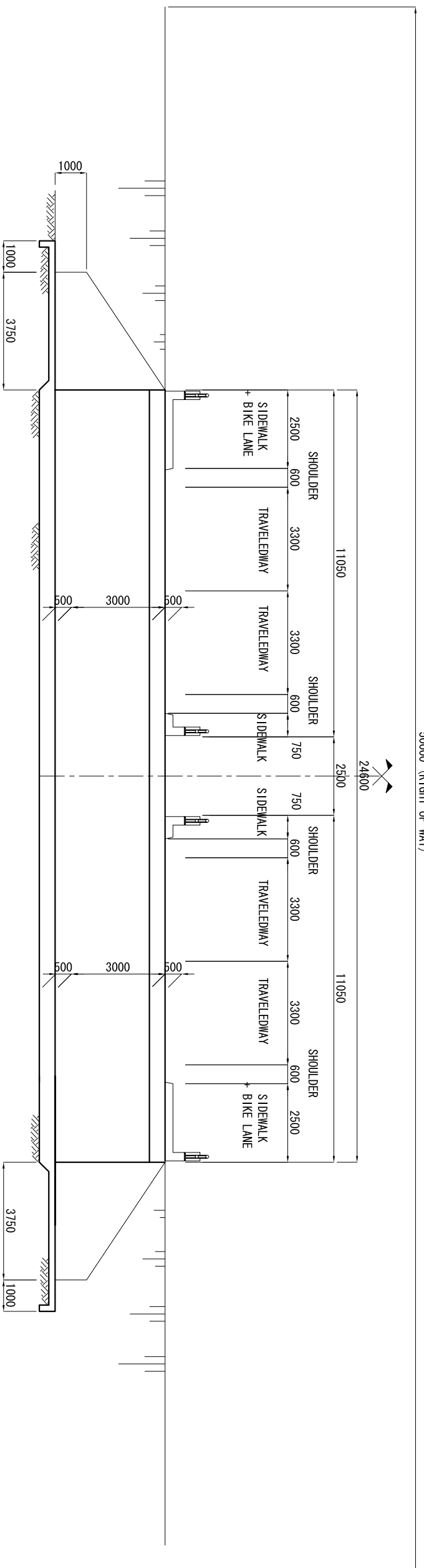
SCALE
AS SHOWN

Drawing No.
Sheet No.

CL-1

48

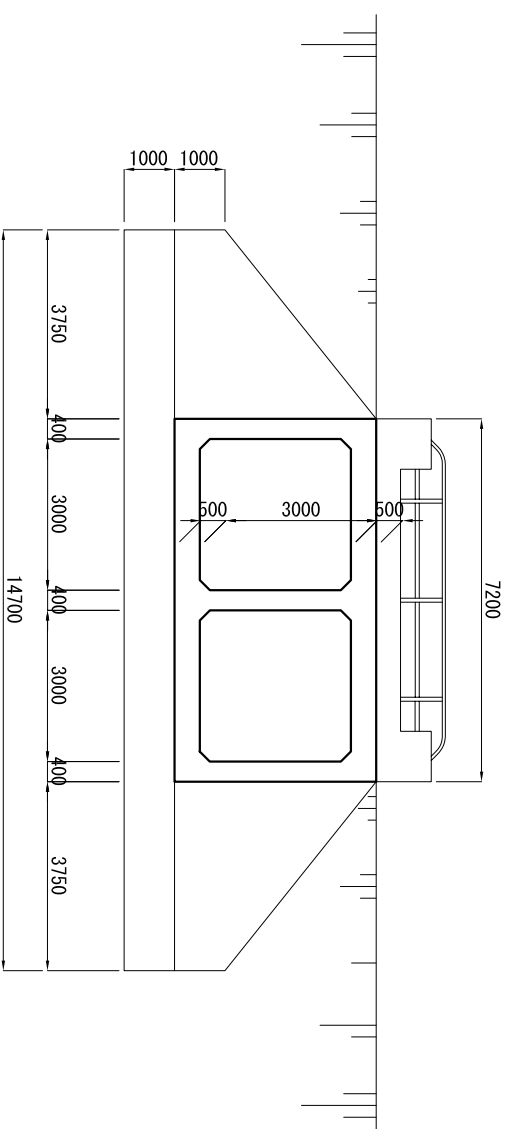
50000 (RIGHT OF WAY)



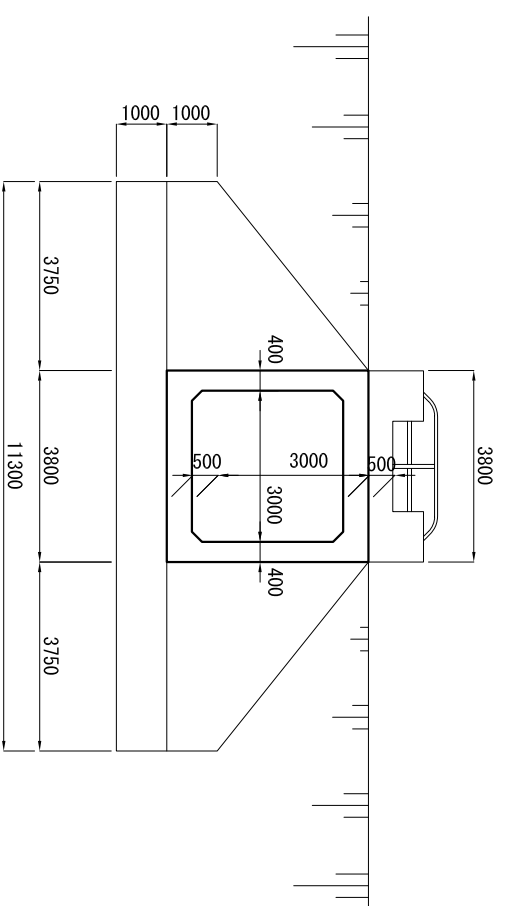
A TYPICAL ELEVATION FOR CSA & CSB
SCALE 1:150 mts

NOTES:

1. THIS DRAWING HAS NOT PREPARED FOR THE CONSTRUCTION AND THEREFORE SHOULD BE USED FOR REFERENCE ONLY.



B DOUBLE CELL BOX CULVERT
SCALE 1:100 mts



C SINGLE CELL BOX CULVERT
SCALE 1:100 mts

MINISTRY OF TRANSPORT AND ROADS
GOVERNMENT OF SOUTHERN SUDAN
MINISTRY OF PHYSICAL INFRASTRUCTURE
CENTRAL EQUATORIA STATE

JUBA URBAN TRANSPORT INFRASTRUCTURE
AND CAPACITY DEVELOPMENT STUDY
IN THE SOUTHERN SUDAN

CTI ENGINEERING INTERNATIONAL CO.,LTD
YACHIYO ENGINEERING CO.,LTD.

TITLE :
TYPICAL BOX CULVERT FOR COLLECTOR
ROADS CSA & CSB

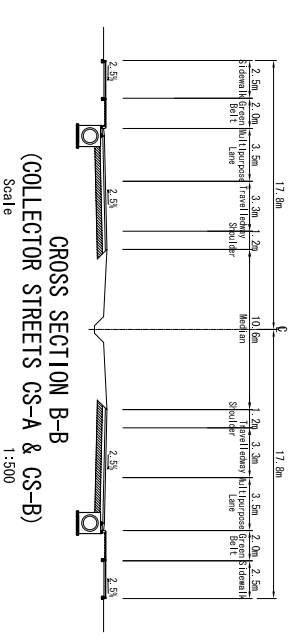
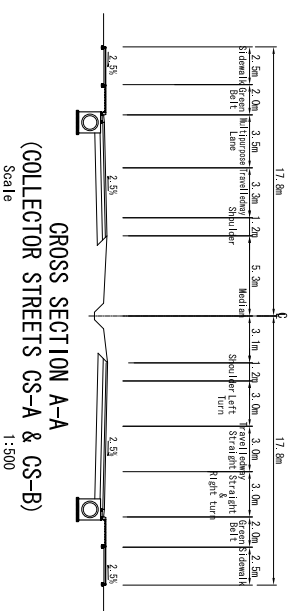
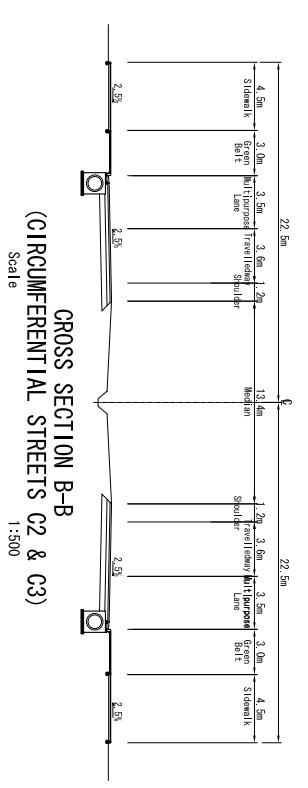
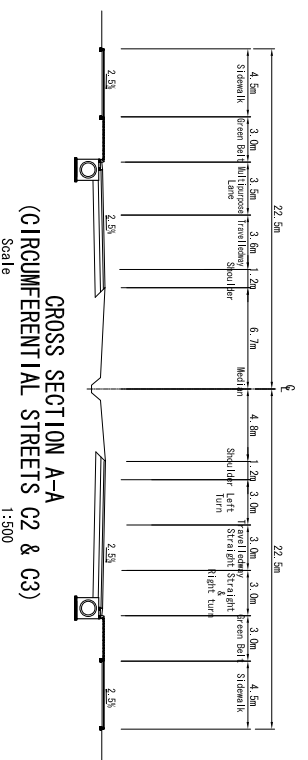
SCALE
AS SHOWN

Drawing No.
Sheet No.

CL-2

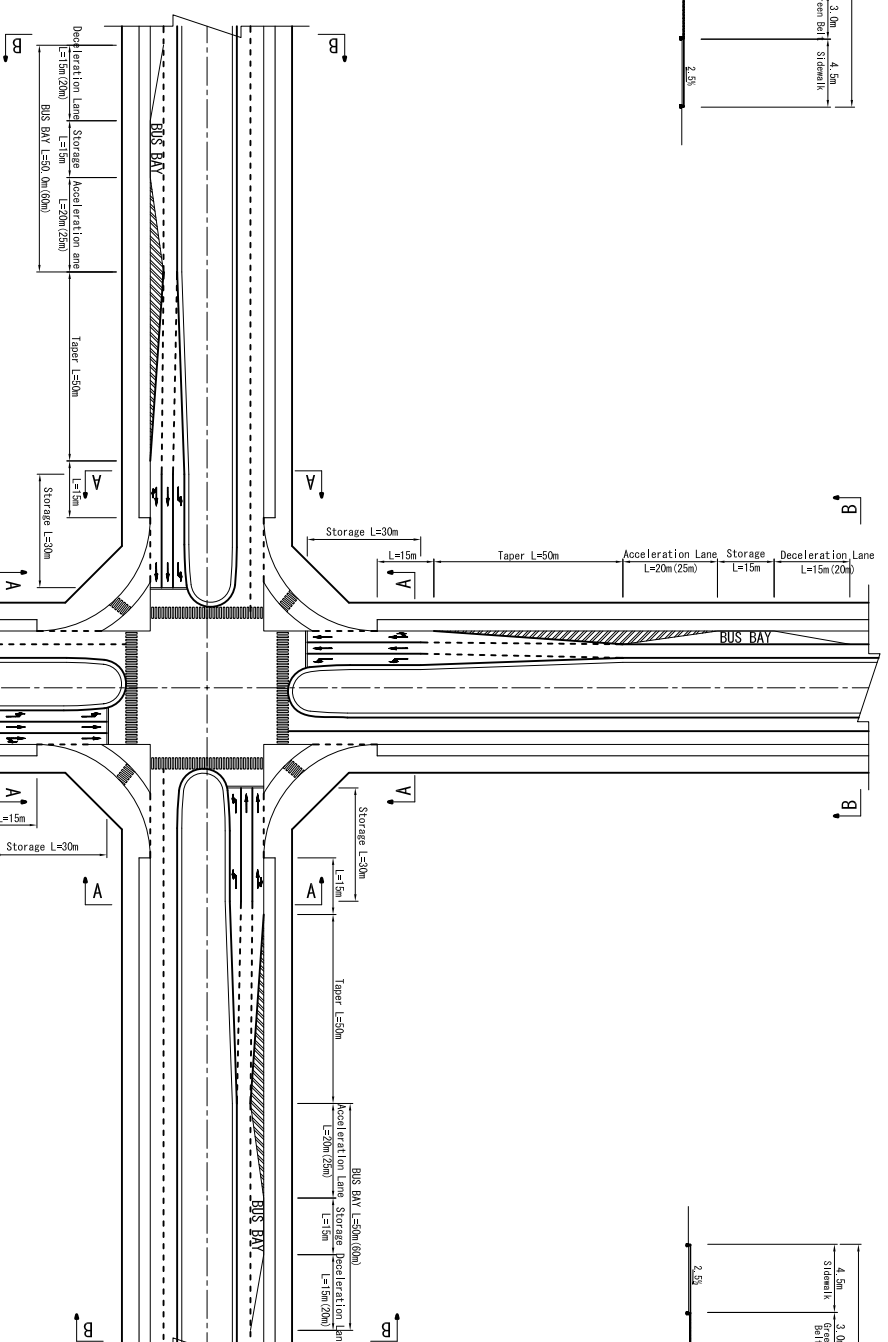
49

NOTES:
1. THIS DRAWING IS FOR REFERENCE ONLY AND IS NOT FOR CONSTRUCTION



NOTE: Numbers inside brackets indicate values for Circumferential Streets C3 (Design Speed 60km/h)

TYPICAL PLAN OF 4-LEGGED INTERSECTION
Scale 1:2000



MINISTRY OF TRANSPORT AND ROADS
GOVERNMENT OF SOUTHERN SUDAN
MINISTRY OF PHYSICAL INFRASTRUCTURE
CENTRAL EQUATORIA STATE

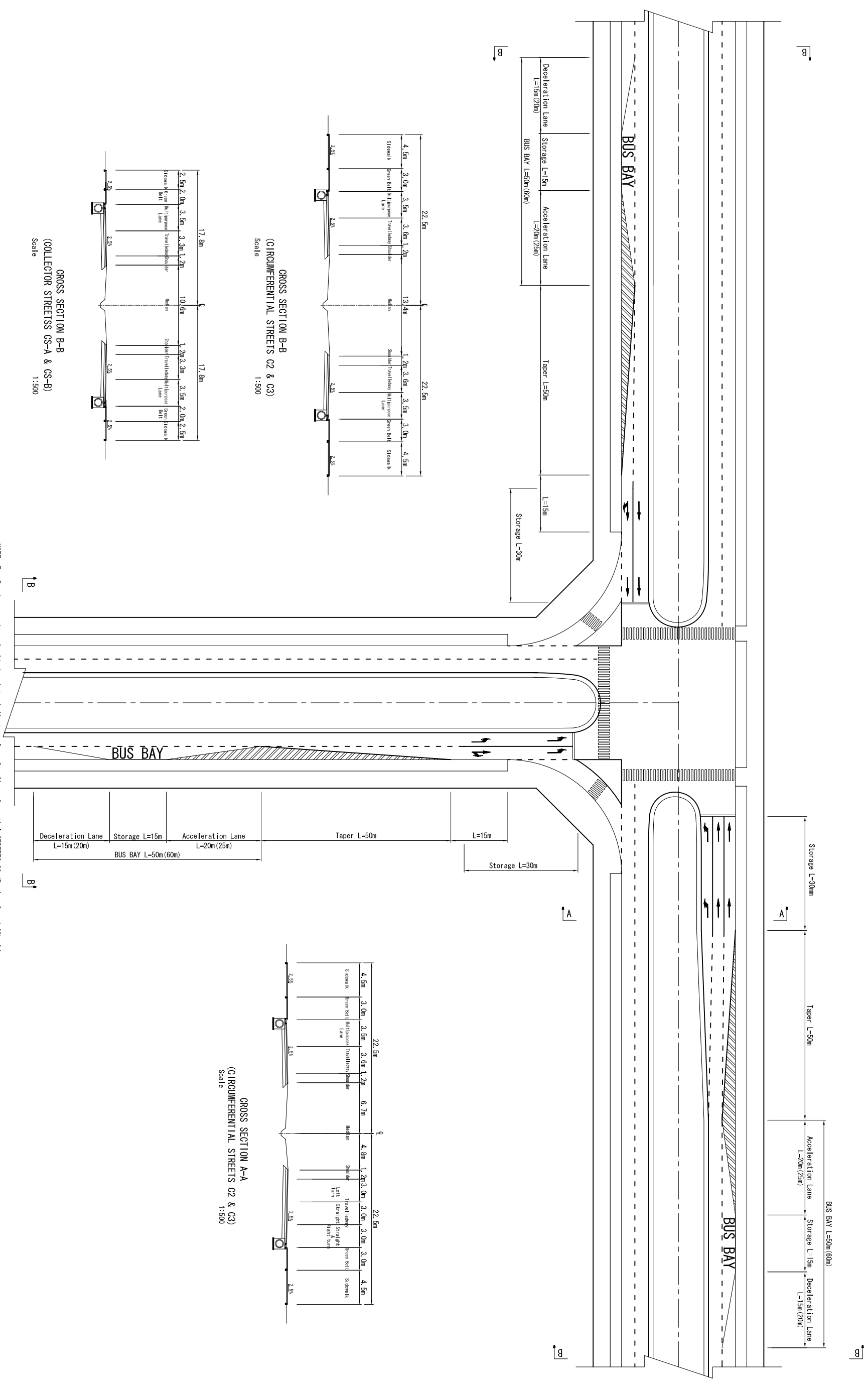
JUBA URBAN TRANSPORT INFRASTRUCTURE
AND CAPACITY DEVELOPMENT STUDY
IN THE SOUTHERN SUDAN

CTI ENGINEERING INTERNATIONAL CO.,LTD
YACHIYO ENGINEERING CO.,LTD.

TITLE :
TYPICAL PLAN FOR 4-LEGGED INTERSECTION

SCALE
AS SHOWN

Drawing No. PI-1
Sheet No. 50



NOTE: For Bus bay, numbers inside brackets indicate values for Circumferential Streets C3 (Design Speed 60km/h)

TYPICAL PLAN OF 3-LEGGED INTERSECTION
Scale 1:1000

GROSS SECTION A-A
(CIRCUMFERENTIAL STREETS C2 & C3)
Scale 1:500

GROSS SECTION B-B
(CIRCUMFERENTIAL STREETS C2 & C3)
Scale 1:500

GROSS SECTION B-B
(COLLECTOR STREETSS CS-A & CS-B)
Scale 1:500

MINISTRY OF TRANSPORT AND ROADS
GOVERNMENT OF SOUTHERN SUDAN
MINISTRY OF PHYSICAL INFRASTRUCTURE
CENTRAL EQUATORIA STATE

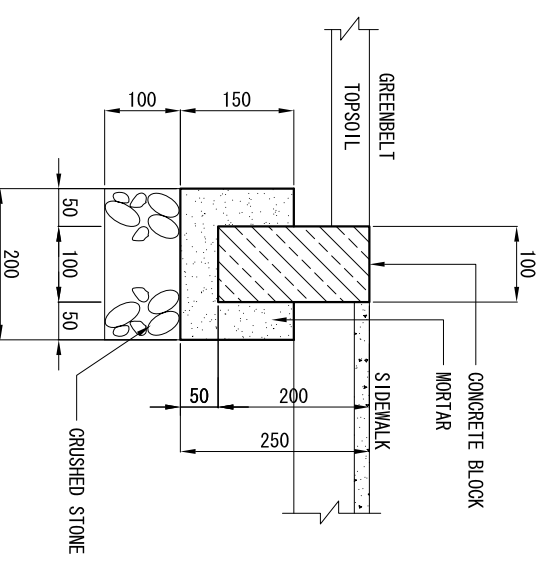
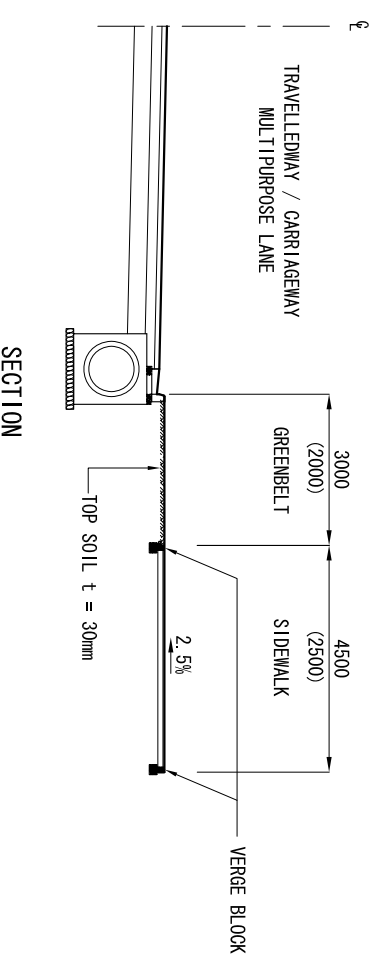
JUBA URBAN TRANSPORT INFRASTRUCTURE
AND CAPACITY DEVELOPMENT STUDY
IN THE SOUTHERN SUDAN

CTI ENGINEERING INTERNATIONAL CO.,LTD
YACHIYO ENGINEERING CO.,LTD.

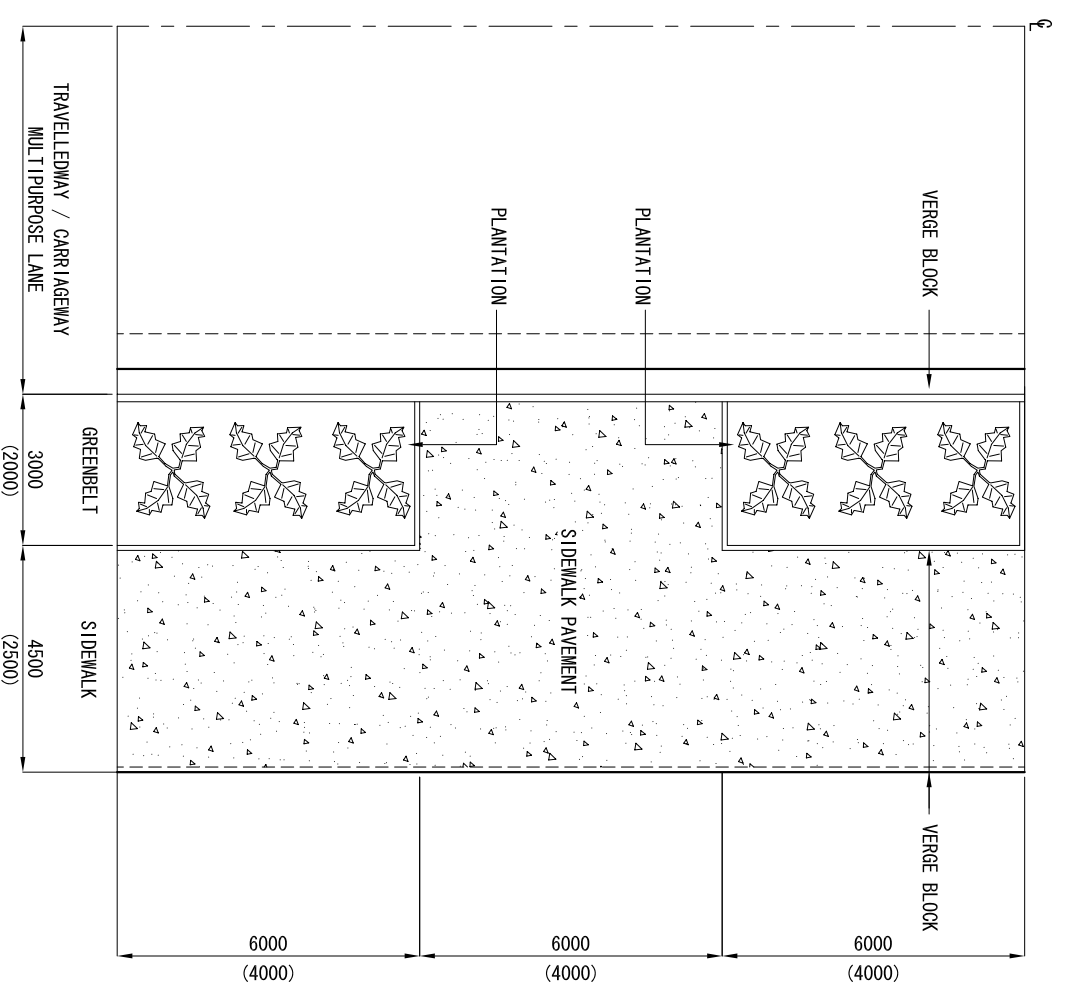
TITLE :
TYPICAL PLAN FOR 3-LEGGED INTERSECTION

SCALE	Drawing No.
1:1000	PI-2
	Sheet No.
	51

NOTES:
1. THIS DRAWING IS FOR REFERENCE ONLY AND IS NOT FOR CONSTRUCTION



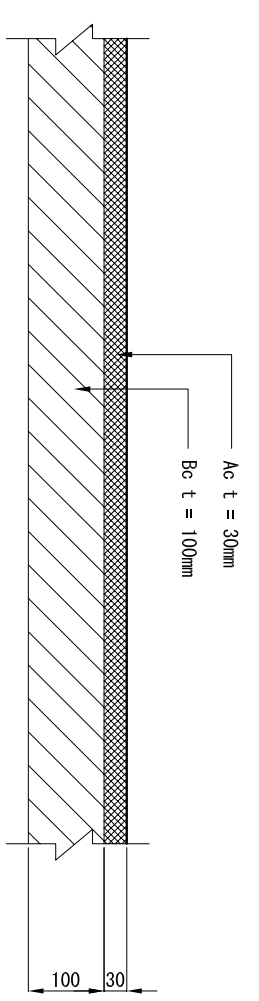
DETAIL OF VERGE BLOCK
SCALE 1:10 m



PLAN

DETAIL OF GREENBELT AND SIDEWALK
SCALE 1:150 m

- NOTES:**
- 1) All dimensions are in millimeters unless otherwise indicated.
 - 2) Values inside brackets represent dimensions for Collector Streets GS-A and GS-B.
 - 3) Greenbelt and Sidewalk shown in this drawing does not imply to stretches inside COD area.



SIDEWALK PAVEMENT
SCALE 1:10 m

MINISTRY OF TRANSPORT AND ROADS
GOVERNMENT OF SOUTHERN SUDAN
MINISTRY OF PHYSICAL INFRASTRUCTURE
CENTRAL EQUATORIA STATE

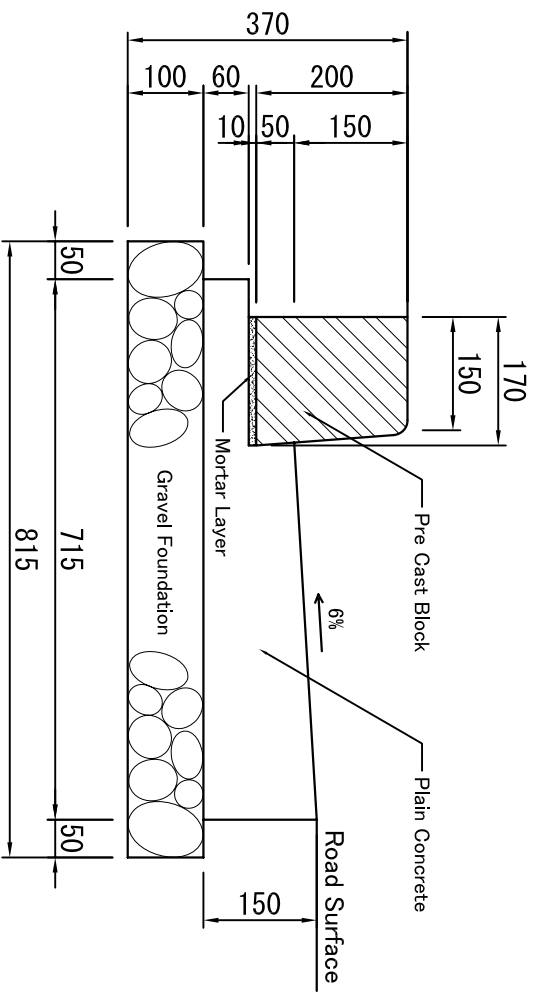
JUBA URBAN TRANSPORT INFRASTRUCTURE
AND CAPACITY DEVELOPMENT STUDY
IN THE SOUTHERN SUDAN

CTI ENGINEERING INTERNATIONAL CO.,LTD
YACHIYO ENGINEERING CO.,LTD.

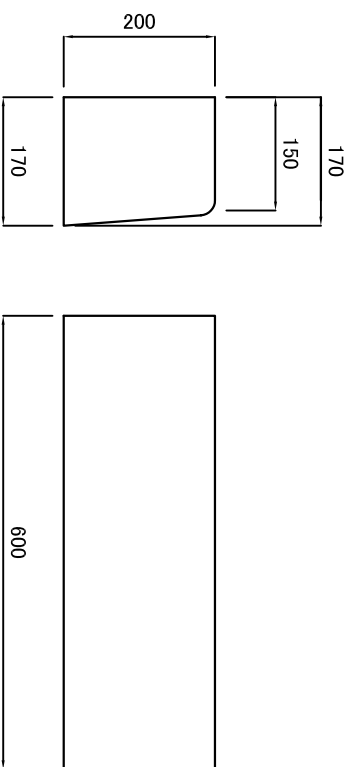
TITLE :
DETAILS OF GREENBELT & SIDEWALK

SCALE
AS SHOWN

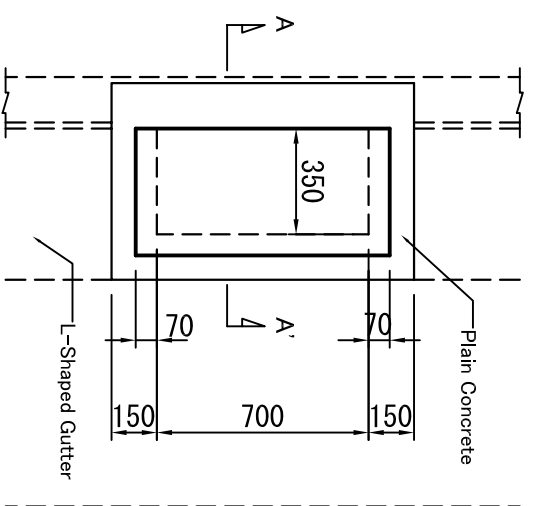
Drawing No.	Sheet No.
G-1	52



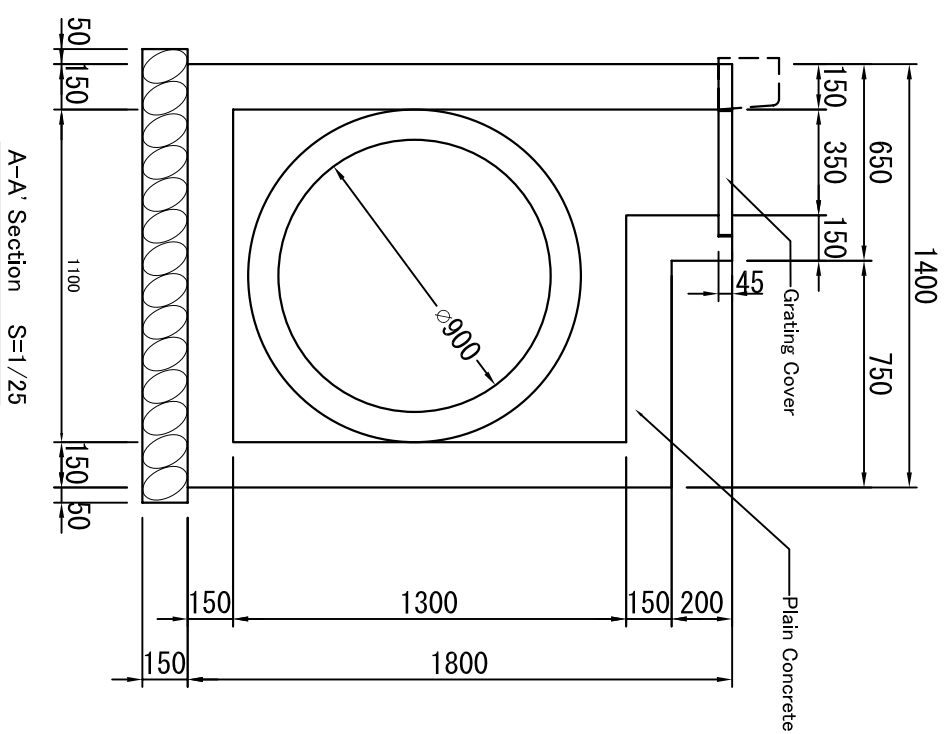
L-Shaped Gutter S=1/10



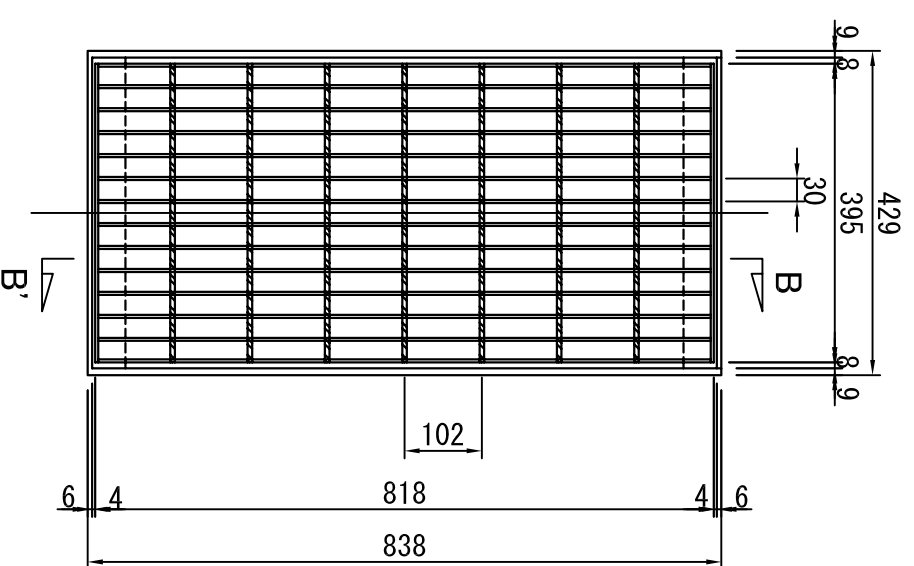
Pre Cast Block S=1/10



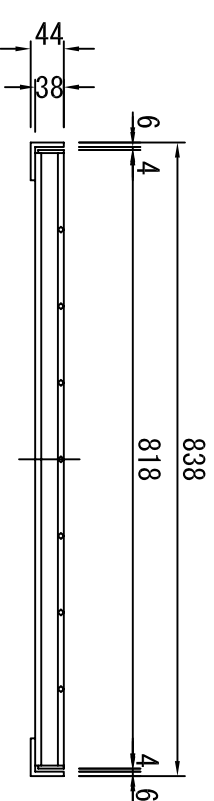
Catch Basin S=1/25



A-A' Section S=1/25

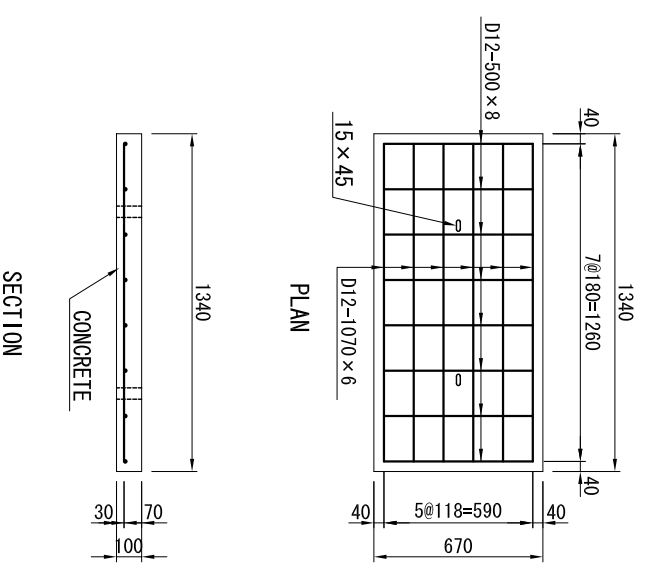
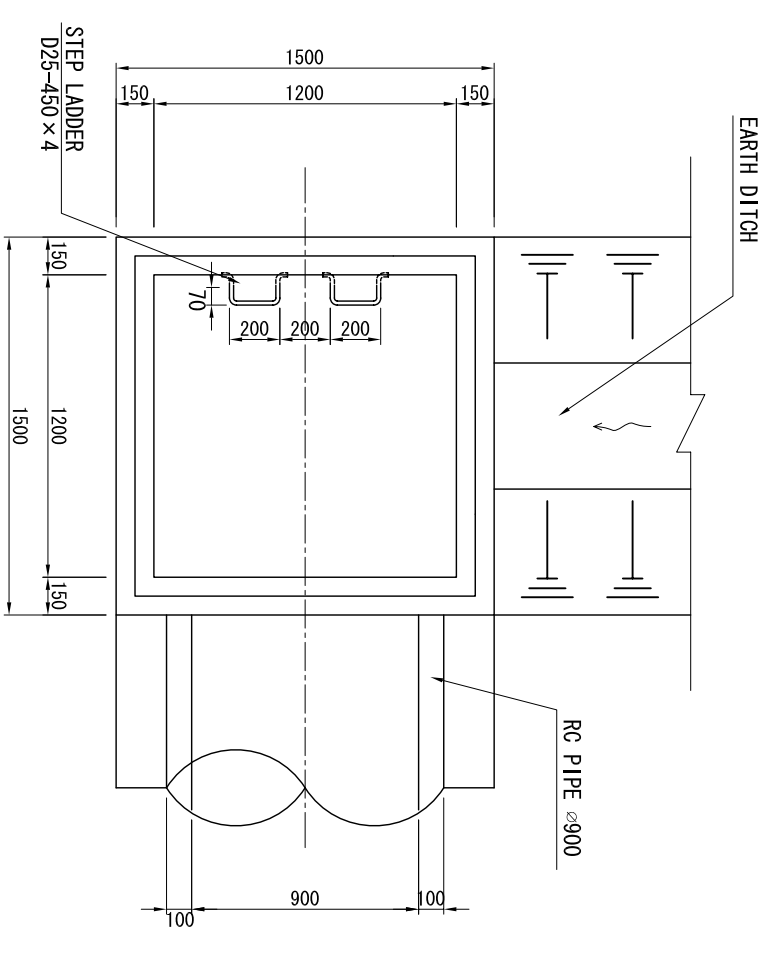


Grating Cover S=1/10

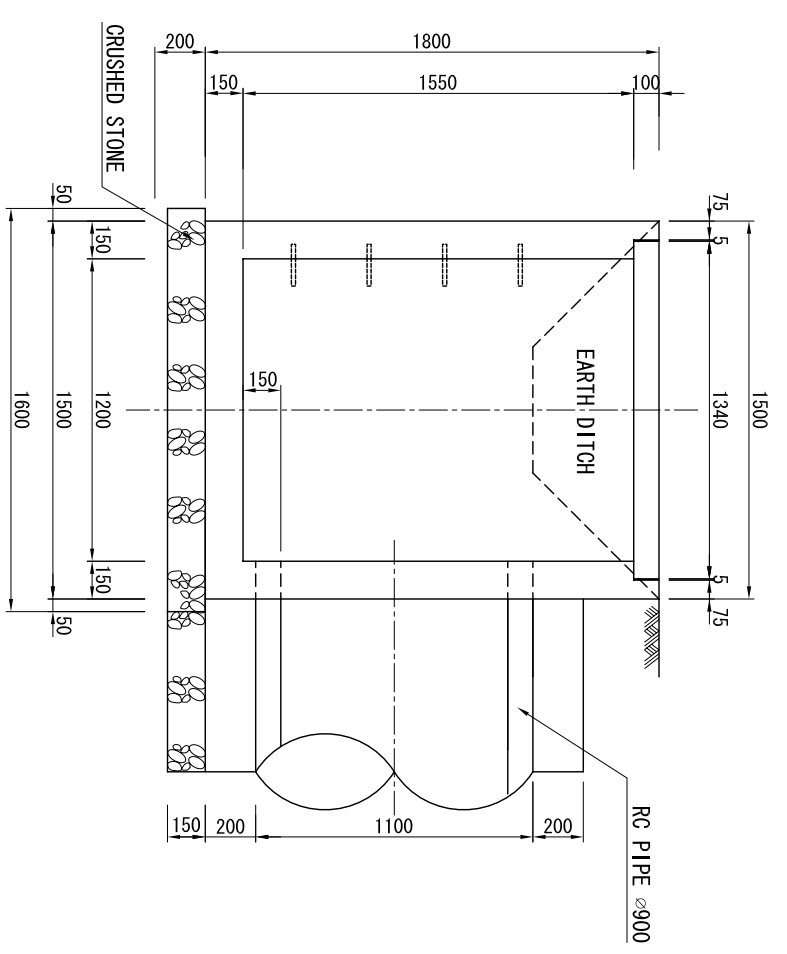
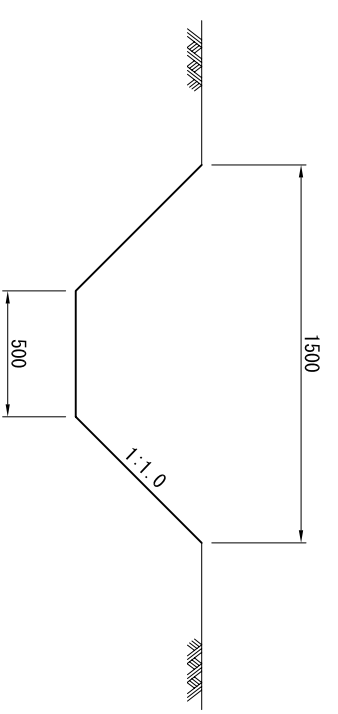


B-B' Section S=1/10

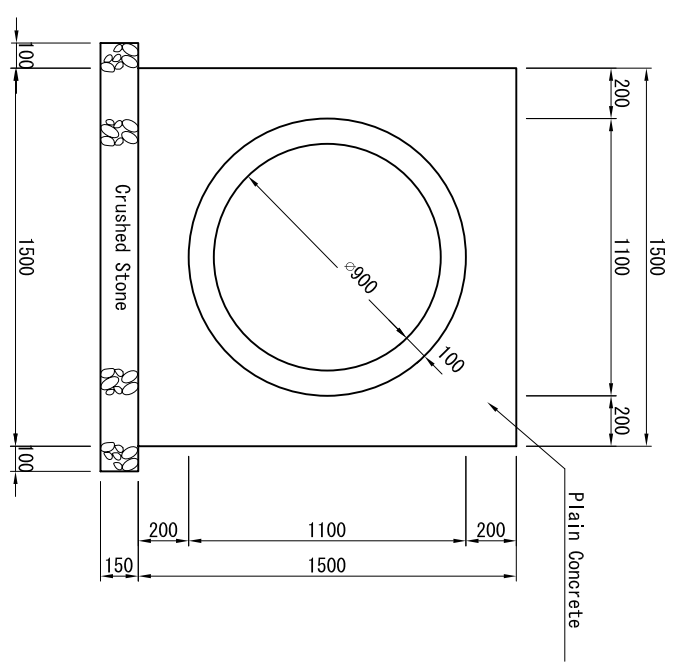
NOTES:
1. THIS DRAWING IS FOR REFERENCE ONLY AND IS NOT FOR CONSTRUCTION



CATCH BASIN COVER
SCALE 1:30 m



CATCH BASIN (MEDIAN DRAINAGE)
SCALE 1:30 m



PIPE CULVERTS
SCALE 1:30 m

MINISTRY OF TRANSPORT AND ROADS
GOVERNMENT OF SOUTHERN SUDAN
MINISTRY OF PHYSICAL INFRASTRUCTURE
CENTRAL EQUATORIA STATE

JUBA URBAN TRANSPORT INFRASTRUCTURE
AND CAPACITY DEVELOPMENT STUDY
IN THE SOUTHERN SUDAN

CTI ENGINEERING INTERNATIONAL CO.,LTD
YACHIYO ENGINEERING CO.,LTD.

TITLE :
DETAILS OF MEDIAN DRAINAGE

SCALE
AS SHOWN

Drawing No.
6-3

Sheet No.
54

NOTES:
1. THIS DRAWING HAS NOT PREPARED FOR THE USE ON CONSTRUCTION AND THEREFORE SHOULD BE NEED FOR REFERENCE ONLY.

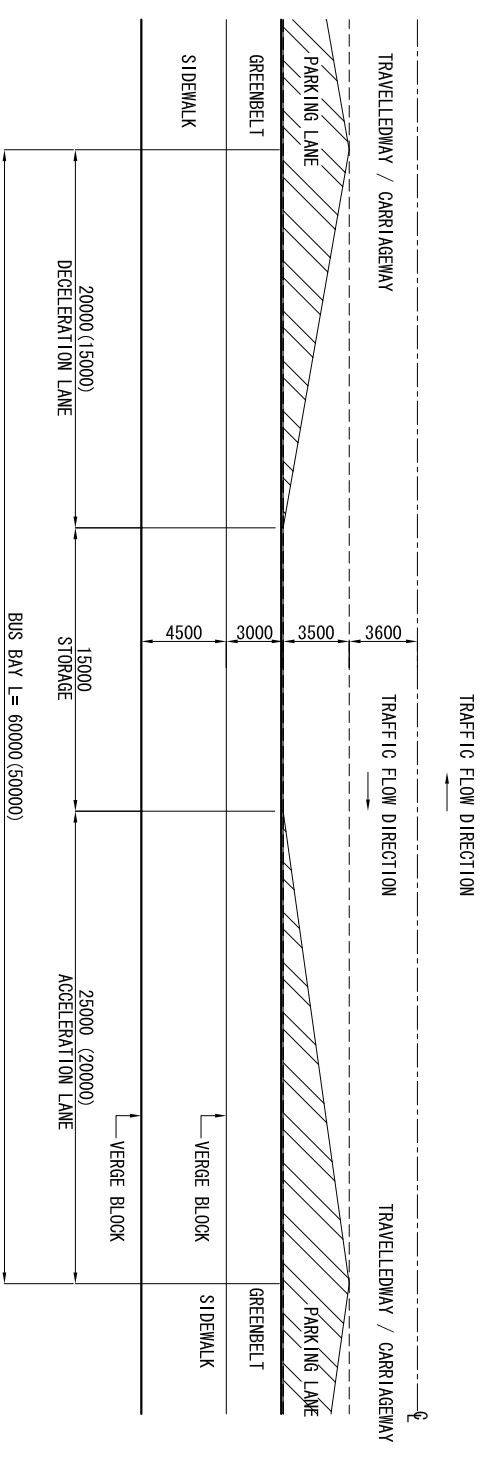
LIST OF PROPOSED LOCATIONS FOR BUS STOPS

Street Name	Stations		Street Name	Stations	
	Left Side	Right Side		Left Side	Right Side
C2	0+200	-	C3	0+700	0+475
	0+750	0+750		1+175	1+175
	1+500	1+200		1+725	1+725
	1+960	1+960		2+325	2+325
	2+850 (80m)	2+700		3+200	2+900
	3+050	2+850 (80m)		3+600	3+600
	3+525	3+525		4+350	4+350
	4+190	4+190		5+250	4+930
	5+075	5+075		-	5+560
	5+775	5+900		6+425	6+425
5+825 (80m)	5+885 (80m)	7+100	7+100		
6+525	6+525	7+700 (80m)	7+560		
7+250	7+250	7+900	7+700 (80m)		
7+900	7+700	8+750	8+750		
7+800 (80m)	7+800 (80m)	9+900	9+900		
		10+700	10+700		
		11+675	11+675		
		12+500	12+500		

NOTE: Values inside brackets represent distance from the center of intersections to bus bays on cross roads.

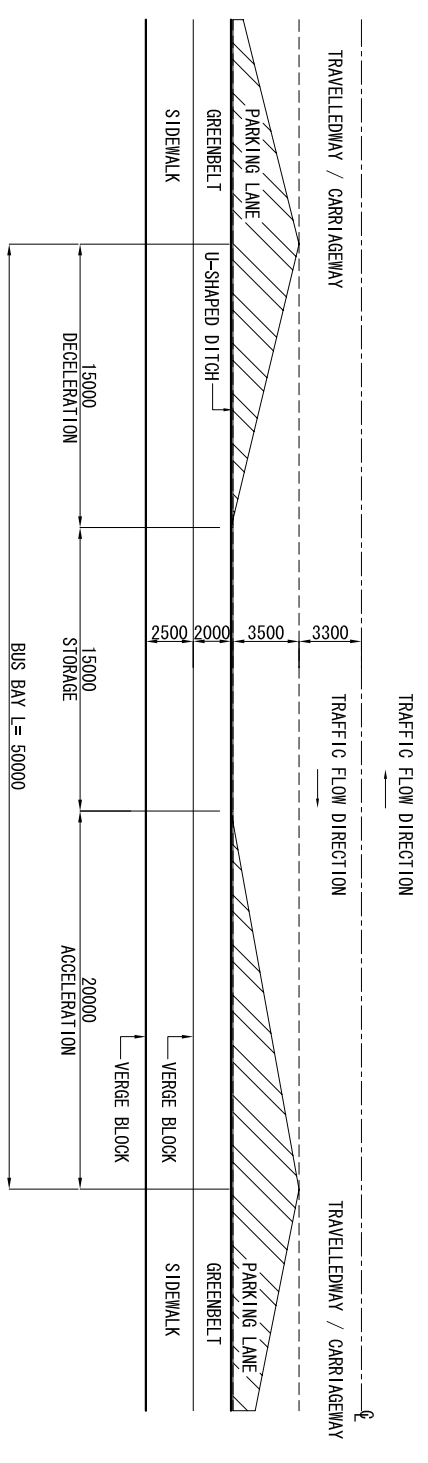
LIST OF PROPOSED LOCATIONS FOR BUS STOPS

Street Name	Stations		Street Name	Stations	
	Left Side	Right Side		Left Side	Right Side
Lologo	0+100	-	Nyakuron	0+140	0+640
	1+075	1+075		0+640	1+245
	2+000	1+750		1+245	1+245
	2+425	2+425		1+900	1+900
	3+420	3+420			



NOTE: Values inside brackets are for Circumferential Street C2 (Design speed 50km/h)

DETAIL OF BUS BAY FOR CIRCUMFERENTIAL STREET (C2, C3)
SCALE 1:400 m



DETAIL OF BUS BAY FOR COLLECTOR STREET (LOLOGO AND NYAKURON)
SCALE 1:400 m

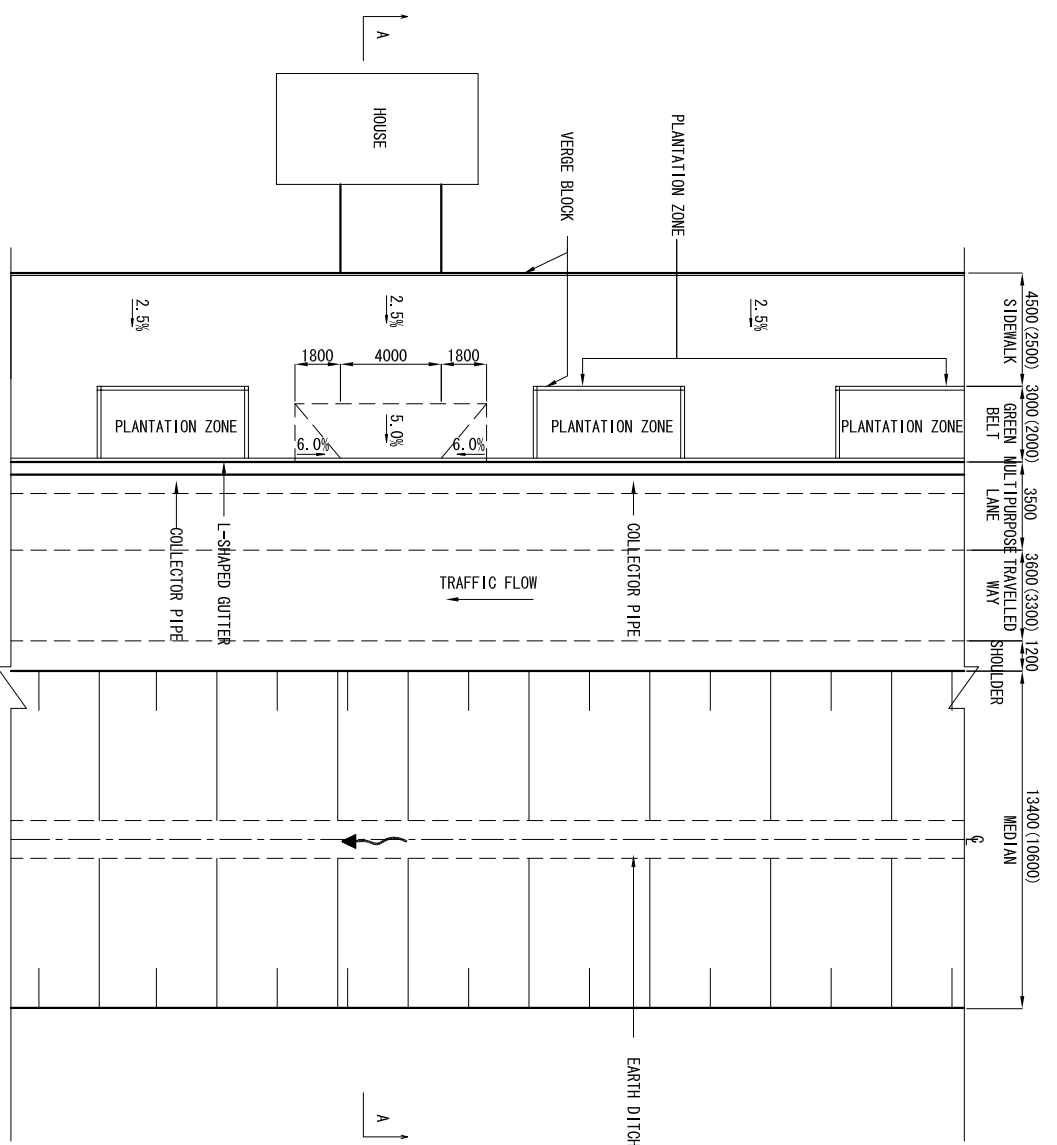
MINISTRY OF TRANSPORT AND ROADS
GOVERNMENT OF SOUTHERN SUDAN
MINISTRY OF PHYSICAL INFRASTRUCTURE
CENTRAL EQUATORIA STATE

JUBA URBAN TRANSPORT INFRASTRUCTURE
AND CAPACITY DEVELOPMENT STUDY
IN THE SOUTHERN SUDAN

CTI ENGINEERING INTERNATIONAL CO.,LTD
YACHIYO ENGINEERING CO.,LTD.

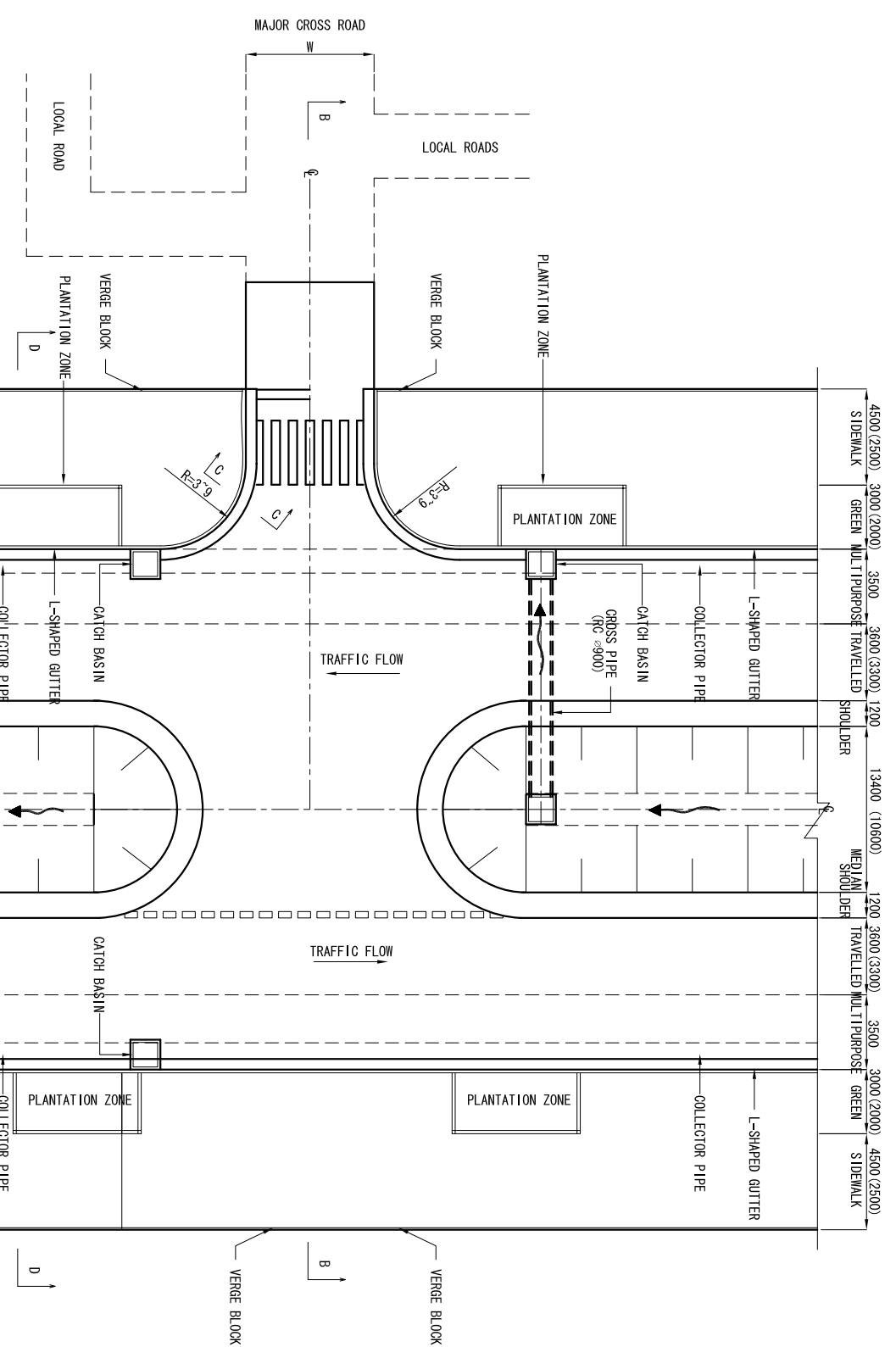
TITLE :
DETAIL OF BUS BAY

SCALE AS SHOWN
Drawing No. 6-4
Sheet No. 55

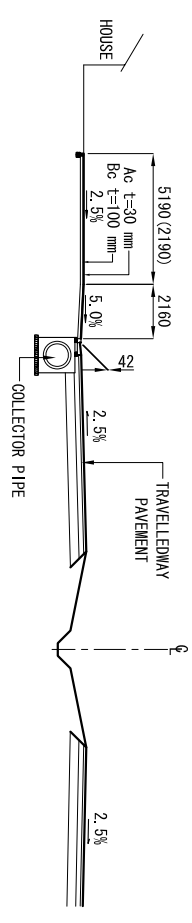


PLAN

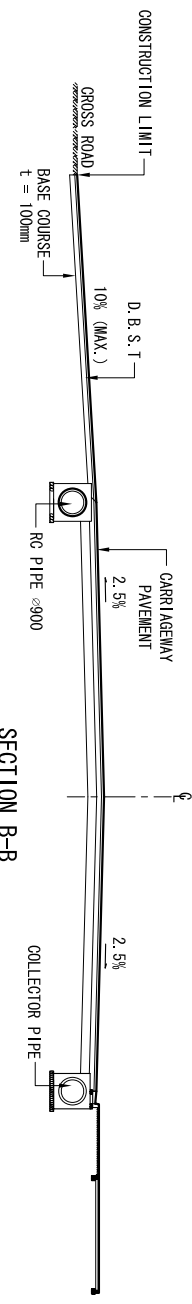
NOTE: Numbers inside brackets represent values for Collector Streets CS-A & CS-B



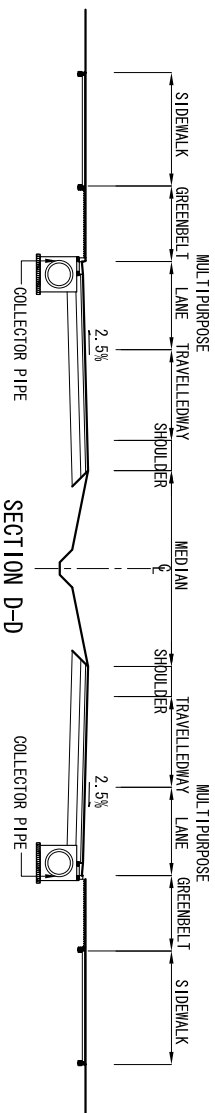
PLAN



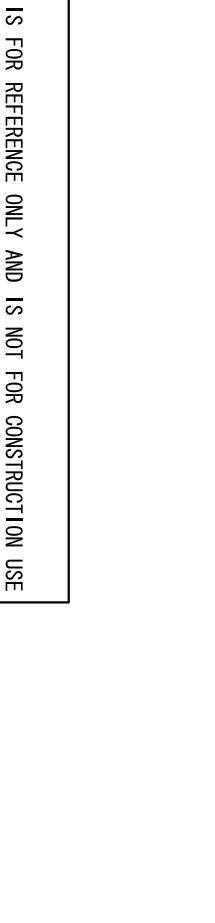
SECTION A-A
HOUSE ACCESS (MINOR CROSS ROAD)
SCALE 1:250



SECTION B-B



SECTION C-C



SECTION D-D

DETAILS OF CROSS ROADS
SCALE 1:250

NOTES:
1. THIS DRAWING IS FOR REFERENCE ONLY AND IS NOT FOR CONSTRUCTION USE

MINISTRY OF TRANSPORT AND ROADS GOVERNMENT OF SOUTHERN SUDAN MINISTRY OF PHYSICAL INFRASTRUCTURE CENTRAL EQUATORIA STATE	JUBA URBAN TRANSPORT INFRASTRUCTURE AND CAPACITY DEVELOPMENT STUDY IN THE SOUTHERN SUDAN	CTI ENGINEERING INTERNATIONAL CO.,LTD YACHIYO ENGINEERING CO.,LTD.	TITLE: STANDARD TREATMENT OF CROSS ROAD AND HOUSE ACCESS	SCALE 1:300	Drawing No. 6-5
					Sheet No. 56