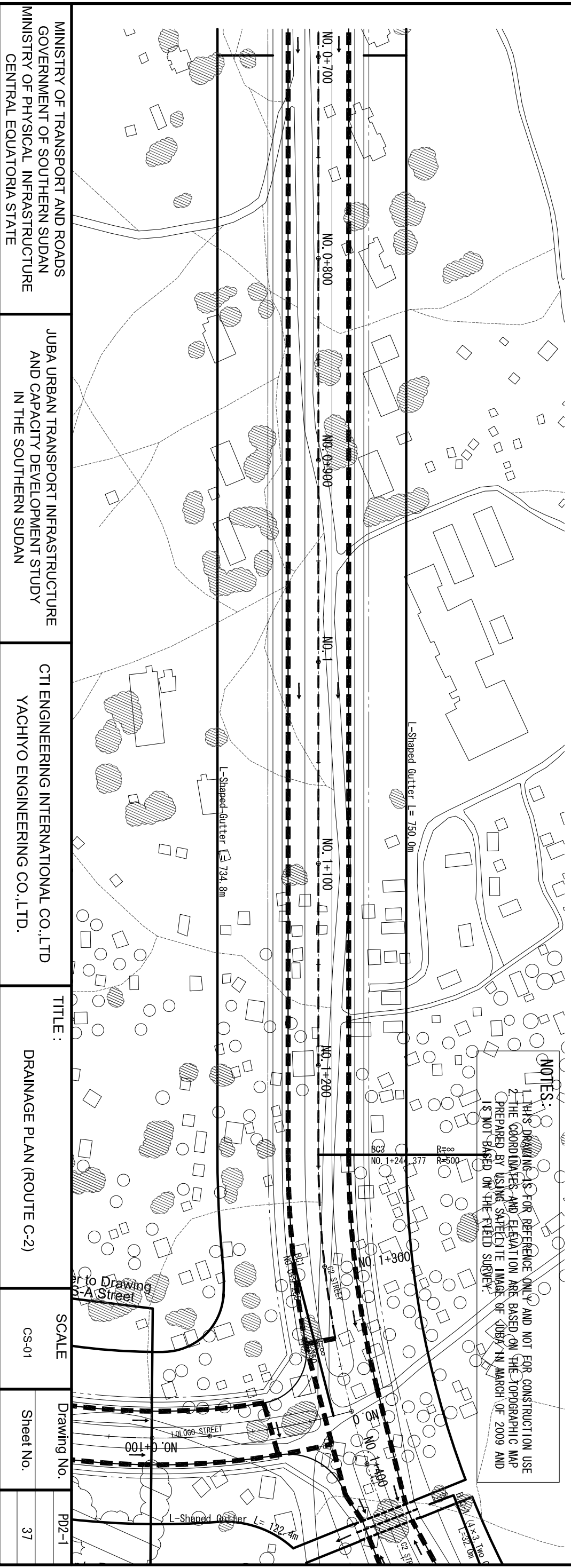




NOTES:

1. THIS DRAWING IS FOR REFERENCE ONLY AND NOT FOR CONSTRUCTION USE
2. THE COORDINATES AND ELEVATION ARE BASED ON THE TOPOGRAPHIC MAP PREPARED BY USING SATELLITE IMAGE OF DEBY IN MARCH OF 2009 AND IS NOT BASED ON THE FIELD SURVEY.



MINISTRY OF TRANSPORT AND ROADS
GOVERNMENT OF SOUTHERN SUDAN
MINISTRY OF PHYSICAL INFRASTRUCTURE
CENTRAL EQUATORIA STATE

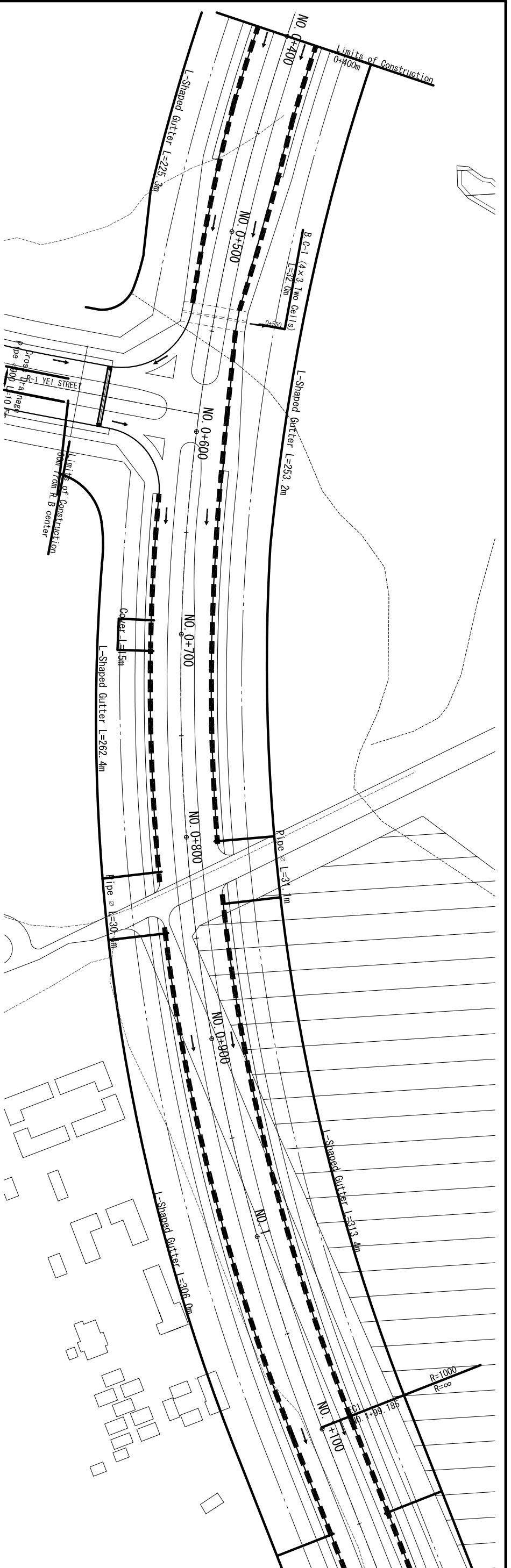
JUBA URBAN TRANSPORT INFRASTRUCTURE
AND CAPACITY DEVELOPMENT STUDY
IN THE SOUTHERN SUDAN

CTI ENGINEERING INTERNATIONAL CO.,LTD
YACHIYO ENGINEERING CO.,LTD.

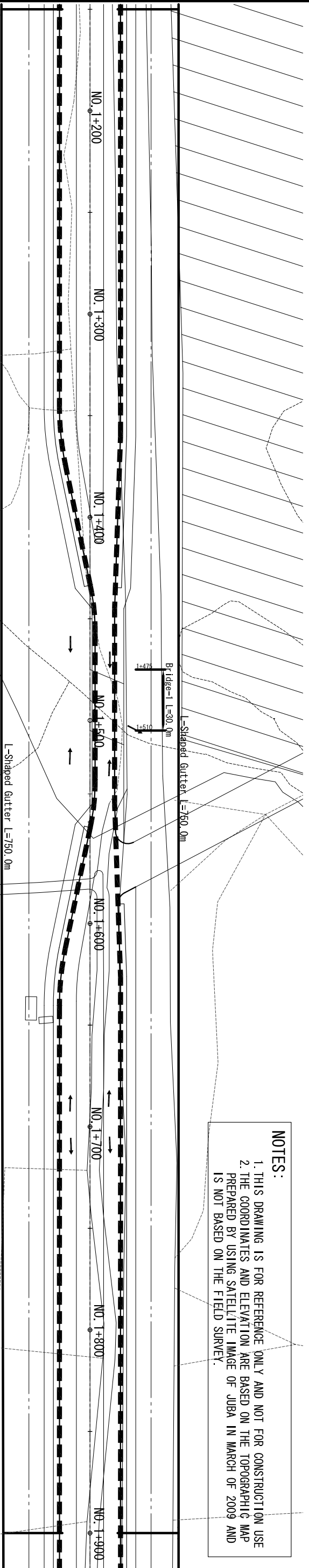
TITLE :
DRAINAGE PLAN (ROUTE C-2)

SCALE
CS-01

Drawing No. PD2-1
Sheet No. 37



NOTES:
 1. THIS DRAWING IS FOR REFERENCE ONLY AND NOT FOR CONSTRUCTION USE
 2. THE COORDINATES AND ELEVATION ARE BASED ON THE TOPOGRAPHIC MAP PREPARED BY USING SATELLITE IMAGE OF JUBA IN MARCH OF 2009 AND IS NOT BASED ON THE FIELD SURVEY.



MINISTRY OF TRANSPORT AND ROADS
 GOVERNMENT OF SOUTHERN SUDAN
 MINISTRY OF PHYSICAL INFRASTRUCTURE
 CENTRAL EQUATORIA STATE

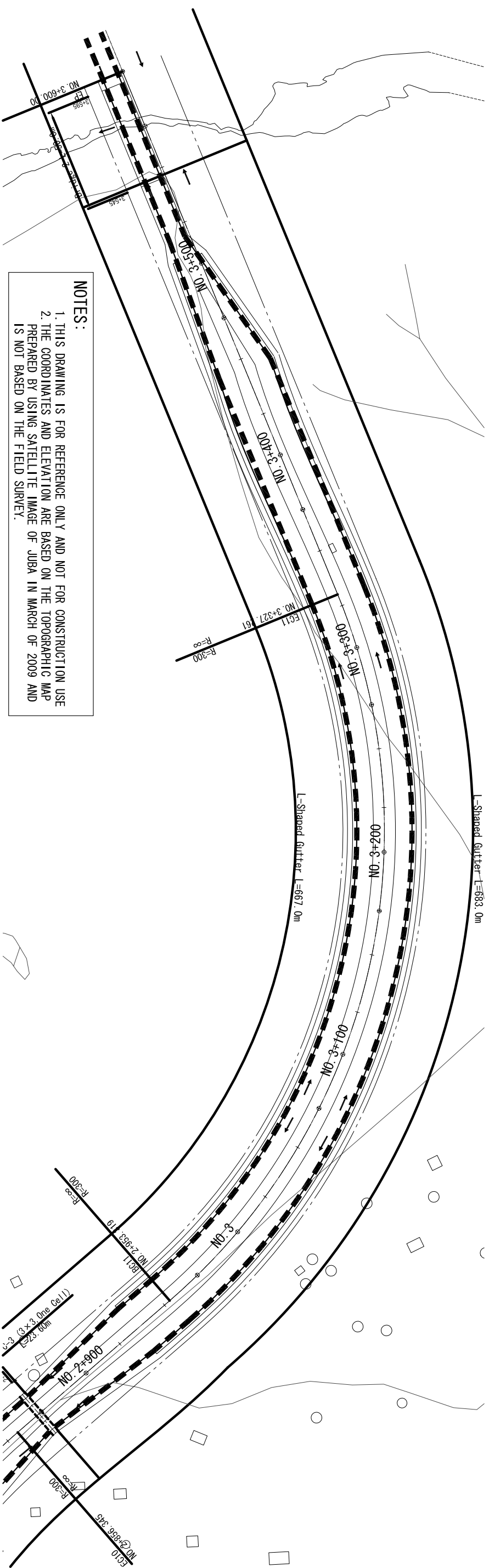
JUBA URBAN TRANSPORT INFRASTRUCTURE
 AND CAPACITY DEVELOPMENT STUDY
 IN THE SOUTHERN SUDAN

CTI ENGINEERING INTERNATIONAL CO.,LTD
 YACHIYO ENGINEERING CO.,LTD.

TITLE :
 PLAN DRAINAGE (ROUTE C-3)

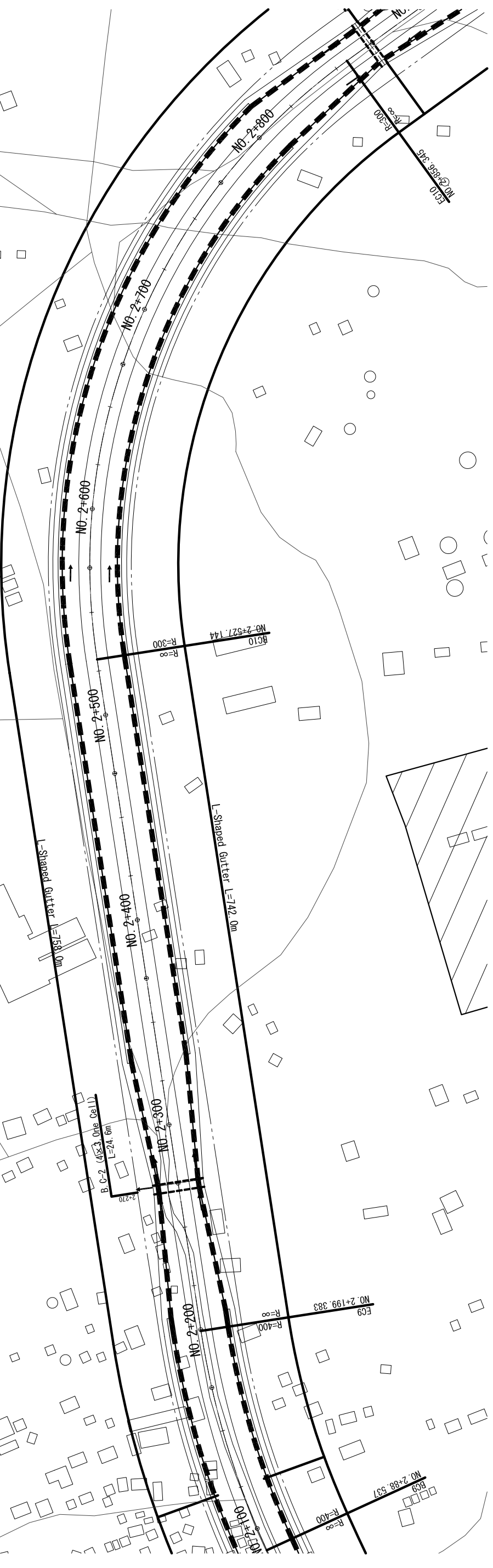
SCALE
 CS-01

Drawing No. PD3-1
 Sheet No. 38



NOTES:

1. THIS DRAWING IS FOR REFERENCE ONLY AND NOT FOR CONSTRUCTION USE
2. THE COORDINATES AND ELEVATION ARE BASED ON THE TOPOGRAPHIC MAP PREPARED BY USING SATELLITE IMAGE OF JUBA IN MARCH OF 2009 AND IS NOT BASED ON THE FIELD SURVEY.



MINISTRY OF TRANSPORT AND ROADS
GOVERNMENT OF SOUTHERN SUDAN
MINISTRY OF PHYSICAL INFRASTRUCTURE
CENTRAL EQUATORIA STATE

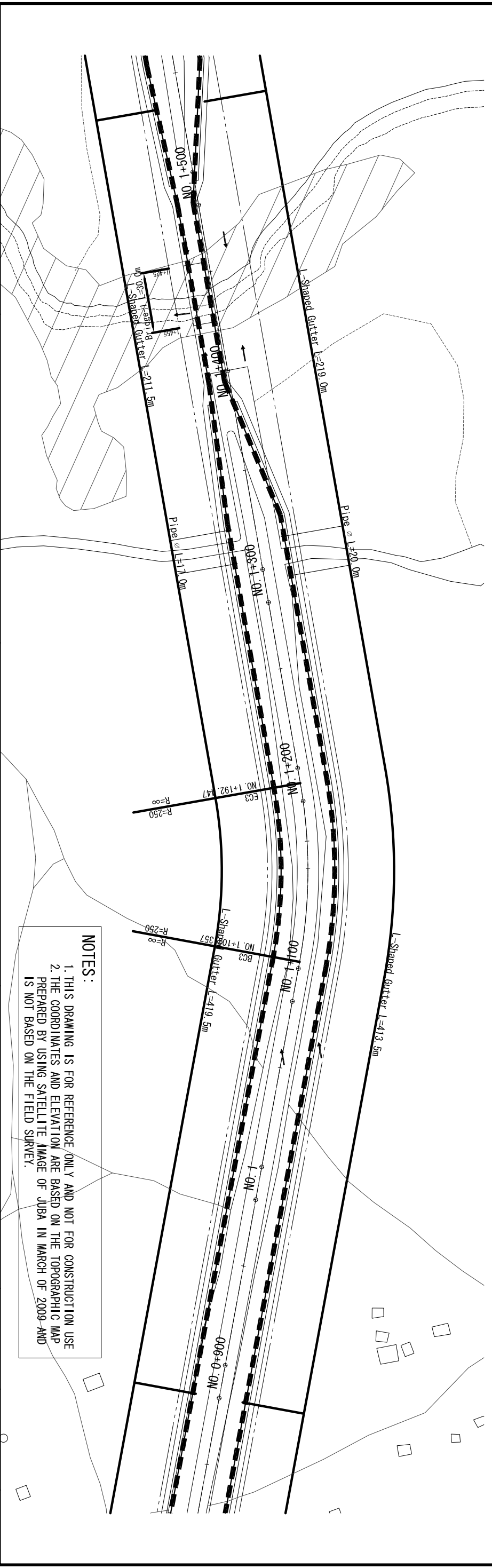
JUBA URBAN TRANSPORT INFRASTRUCTURE
AND CAPACITY DEVELOPMENT STUDY
IN THE SOUTHERN SUDAN

CTI ENGINEERING INTERNATIONAL CO.,LTD
YACHIYO ENGINEERING CO.,LTD.

TITLE :
PLAN DRAINAGE (ROUTE CSA)

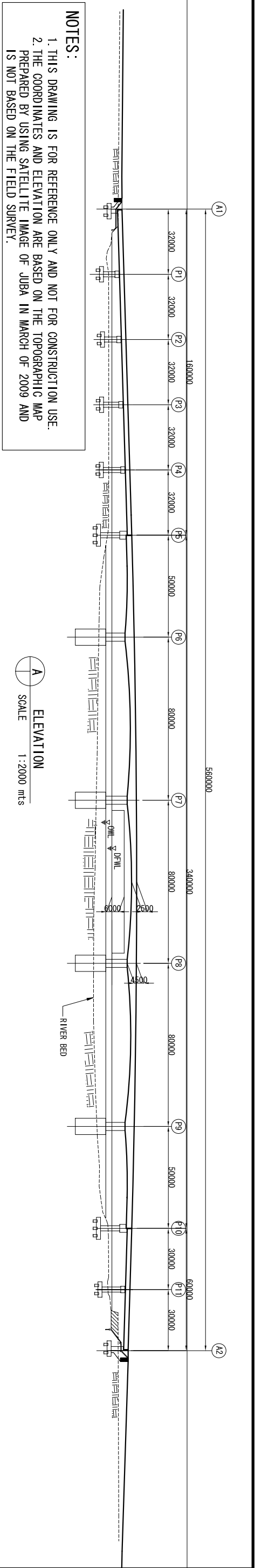
SCALE
CS-01

Drawing No. PDA-1
Sheet No. 39

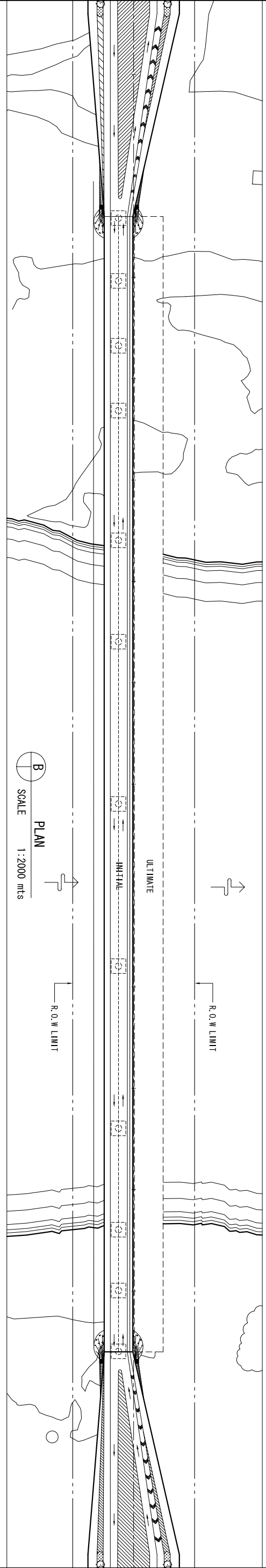


NOTES:
 1. THIS DRAWING IS FOR REFERENCE ONLY AND NOT FOR CONSTRUCTION USE
 2. THE COORDINATES AND ELEVATION ARE BASED ON THE TOPOGRAPHIC MAP PREPARED BY USING SATELLITE IMAGE OF JUBA IN MARCH OF 2009 AND IS NOT BASED ON THE FIELD SURVEY.

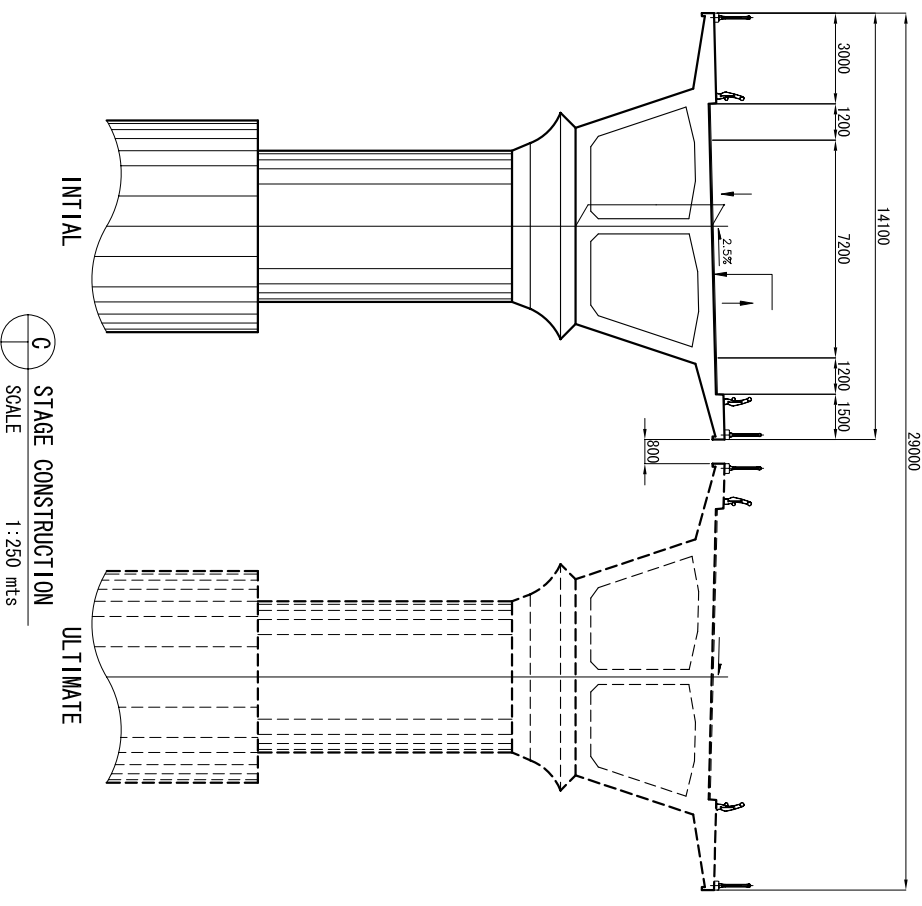
MINISTRY OF TRANSPORT AND ROADS GOVERNMENT OF SOUTHERN SUDAN MINISTRY OF PHYSICAL INFRASTRUCTURE CENTRAL EQUATORIA STATE		JUBA URBAN TRANSPORT INFRASTRUCTURE AND CAPACITY DEVELOPMENT STUDY IN THE SOUTHERN SUDAN		CTI ENGINEERING INTERNATIONAL CO.,LTD YACHIYO ENGINEERING CO.,LTD.		TITLE : PLAN DRAINAGE (ROUTE CSB)		SCALE CS-01		Drawing No. PDB-1	
										Sheet No. 40	



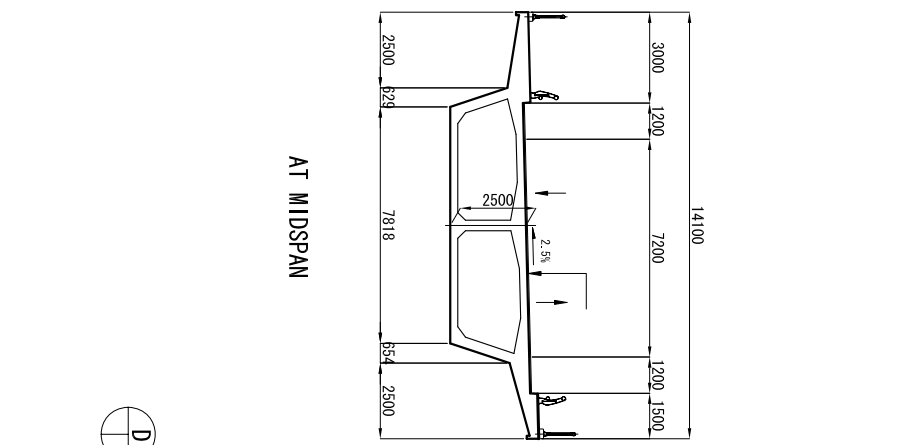
A ELEVATION
SCALE 1:2000 mts



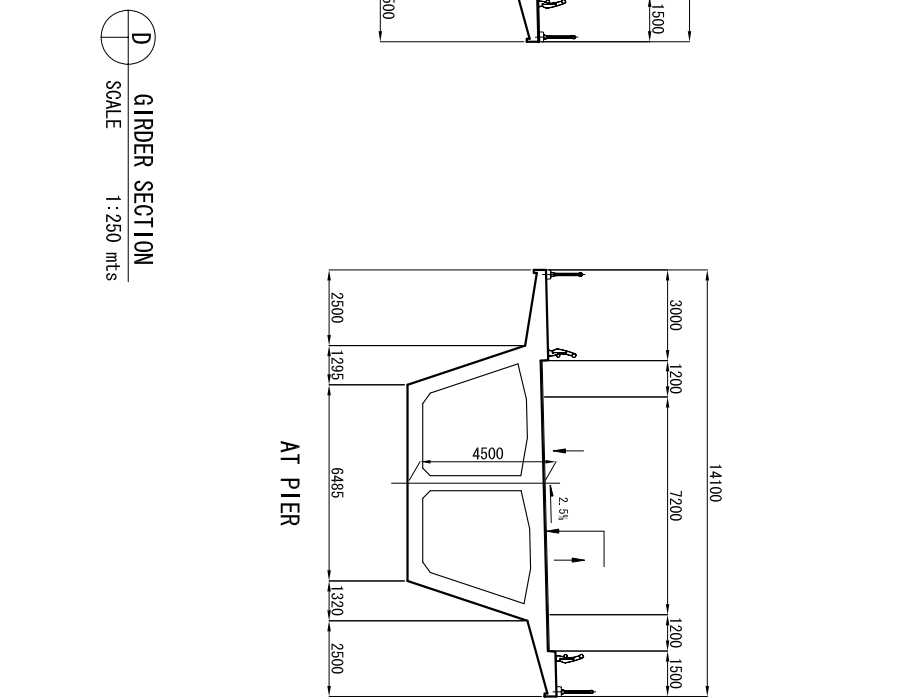
B PLAN
SCALE 1:2000 mts



C STAGE CONSTRUCTION
SCALE 1:250 mts



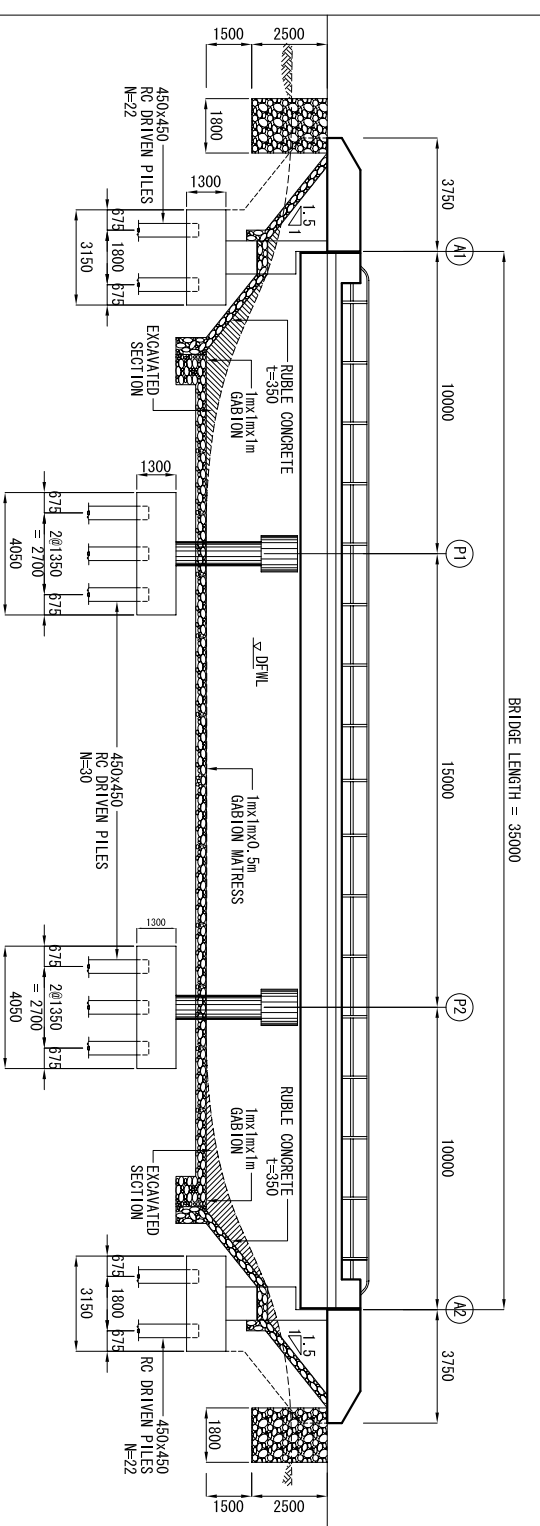
AT MIDSPAN



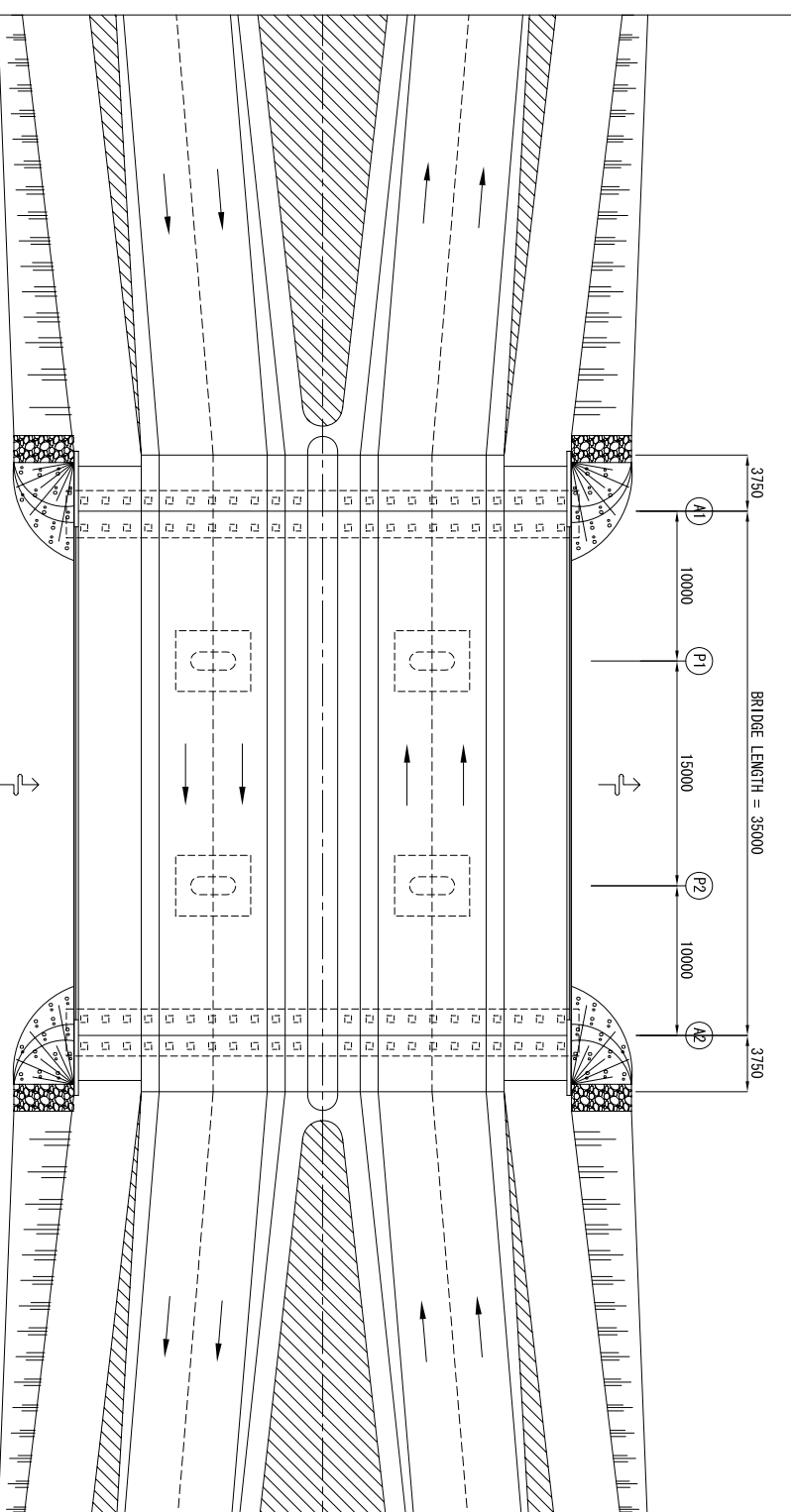
AT PIER

D GIRDER SECTION
SCALE 1:250 mts

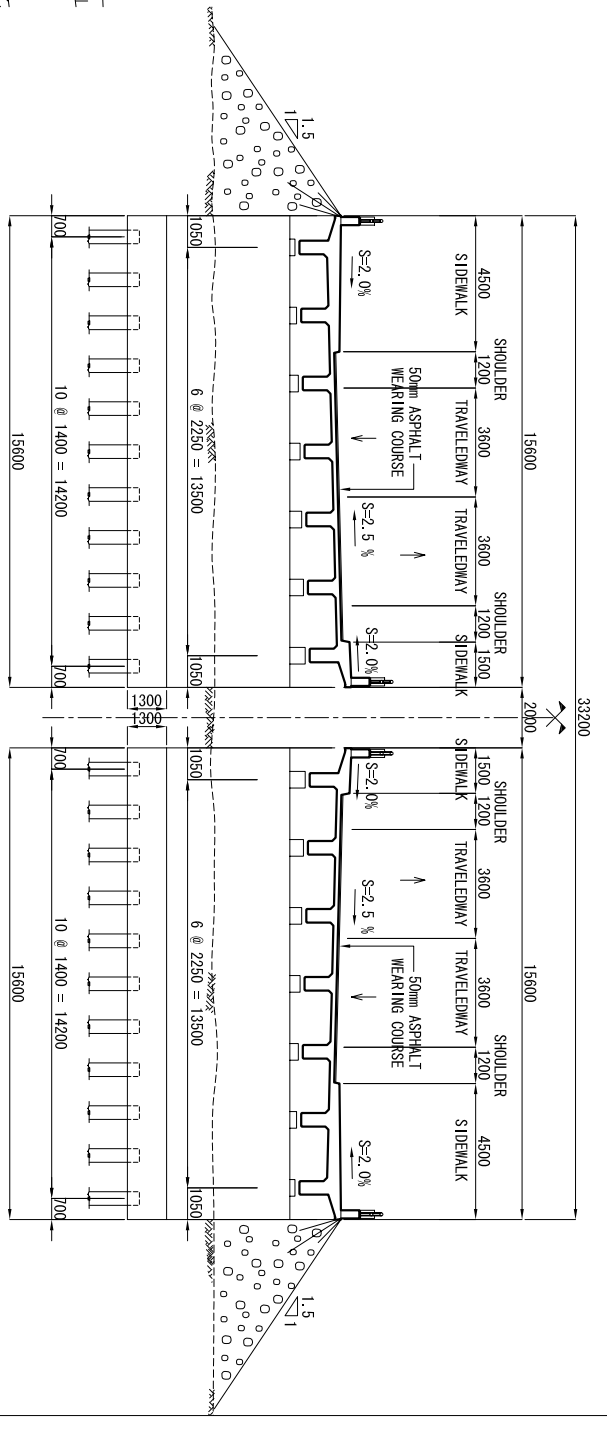
MINISTRY OF TRANSPORT AND ROADS GOVERNMENT OF SOUTHERN SUDAN MINISTRY OF PHYSICAL INFRASTRUCTURE CENTRAL EQUATORIA STATE		JUBA URBAN TRANSPORT INFRASTRUCTURE AND CAPACITY DEVELOPMENT STUDY IN THE SOUTHERN SUDAN		CTI ENGINEERING INTERNATIONAL CO.,LTD YACHIYO ENGINEERING CO.,LTD.		TITLE : C3 NILE RIVER BRIDGE CROSSING		SCALE AS SHOWN	Drawing No. BR-1
								Sheet No. 41	



A ELEVATION
SCALE 1:250 mts



B PLAN
SCALE 1:500 mts



C ABUTMENT SECTION
SCALE 1:250 mts

MINISTRY OF TRANSPORT AND ROADS
GOVERNMENT OF SOUTHERN SUDAN
MINISTRY OF PHYSICAL INFRASTRUCTURE
CENTRAL EQUATORIA STATE

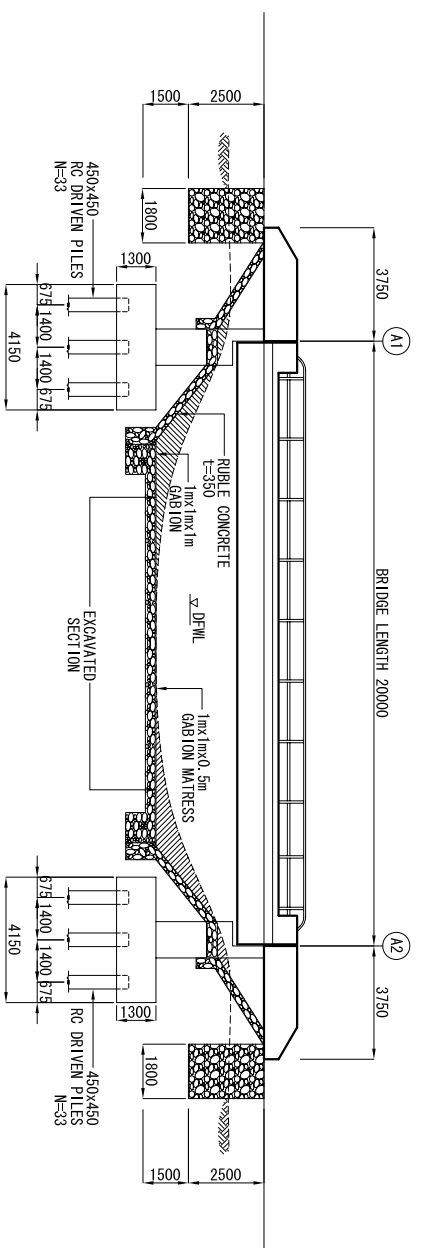
JUBA URBAN TRANSPORT INFRASTRUCTURE
AND CAPACITY DEVELOPMENT STUDY
IN THE SOUTHERN SUDAN

CTI ENGINEERING INTERNATIONAL CO.,LTD
YACHIYO ENGINEERING CO.,LTD.

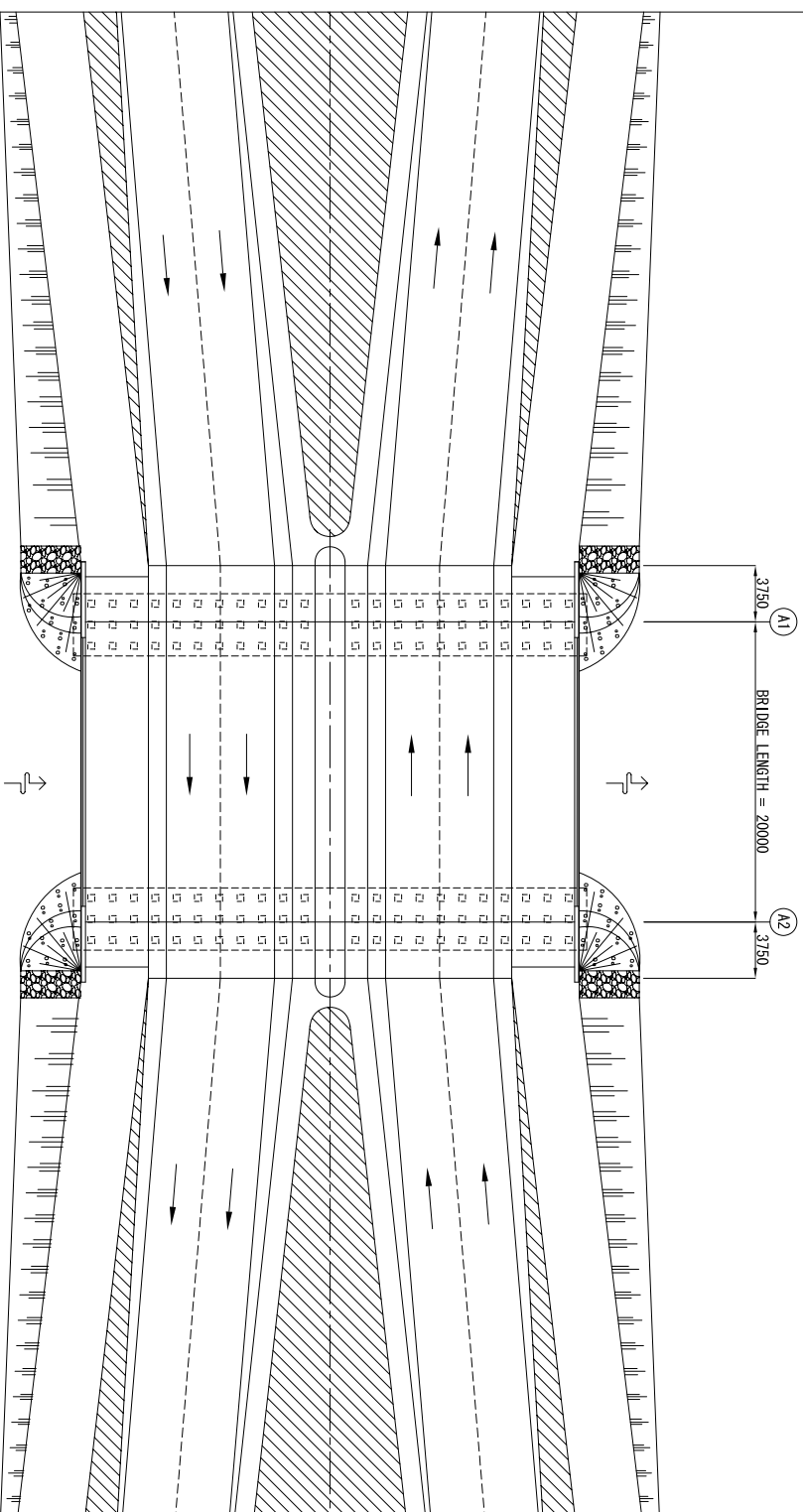
TITLE :
FULL BRIDGE FOR
C2 - B1

SCALE
AS SHOWN

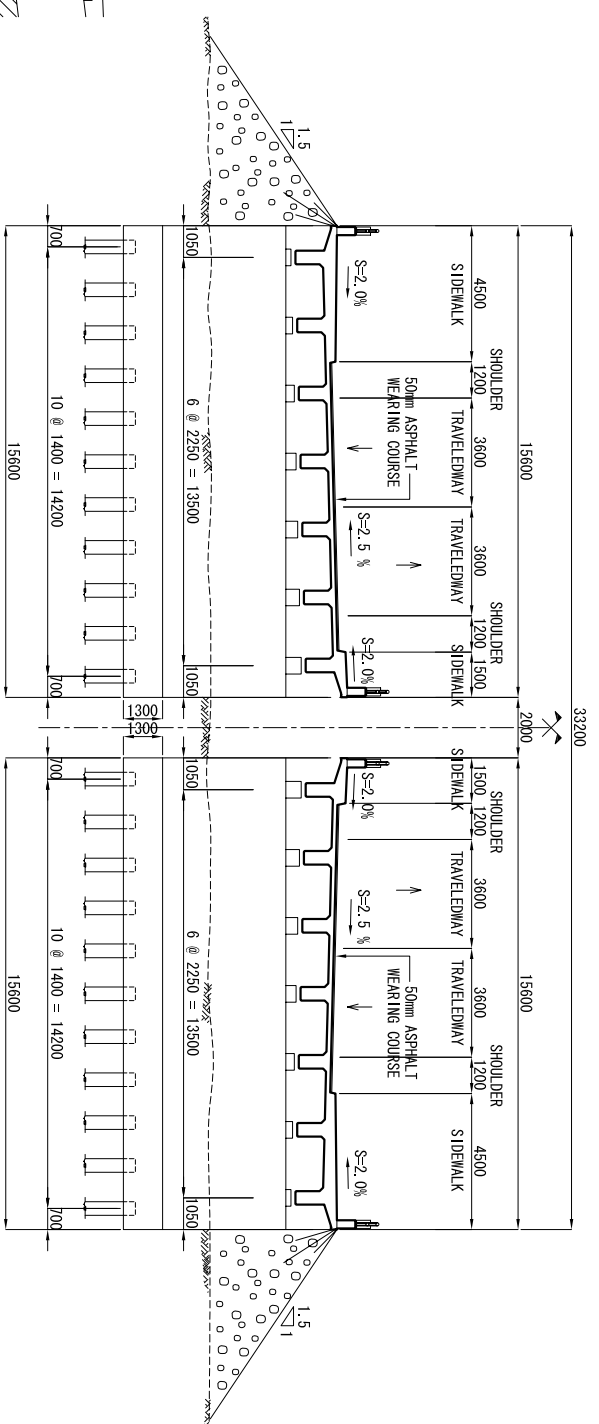
Drawing No.	BR-2
Sheet No.	42



A
ELEVATION
SCALE 1:250 mts



B
PLAN
SCALE 1:500 mts



C
ABUTMENT SECTION
SCALE 1:250 mts

1
BRIDGE PLAN VIEW

MINISTRY OF TRANSPORT AND ROADS
GOVERNMENT OF SOUTHERN SUDAN
MINISTRY OF PHYSICAL INFRASTRUCTURE
CENTRAL EQUATORIA STATE

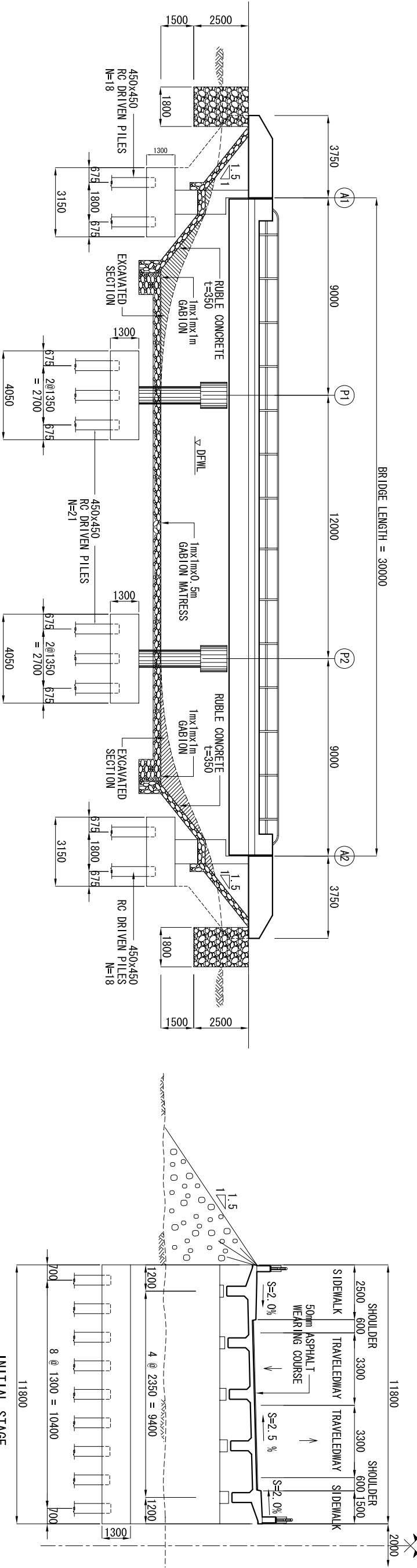
JUBA URBAN TRANSPORT INFRASTRUCTURE
AND CAPACITY DEVELOPMENT STUDY
IN THE SOUTHERN SUDAN

CTI ENGINEERING INTERNATIONAL CO.,LTD
YACHIYO ENGINEERING CO.,LTD.

TITLE :
FULL BRIDGE FOR
C3-B3

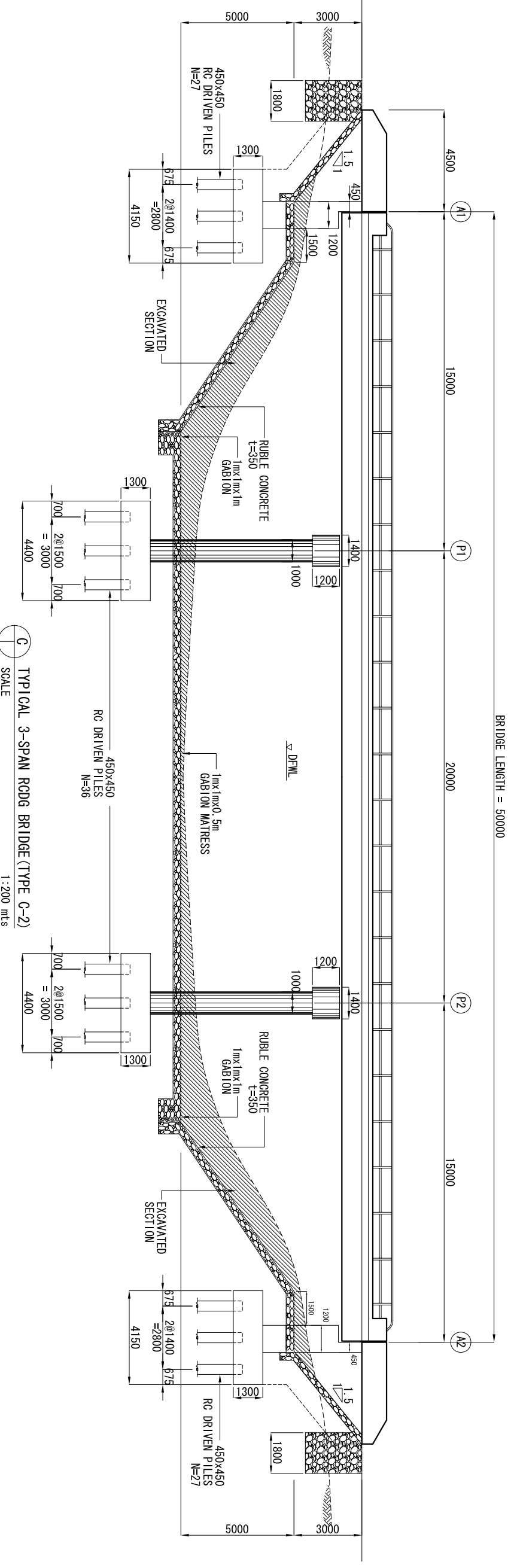
SCALE
AS SHOWN

Drawing No.	BR-3
Sheet No.	43



A TYPICAL 3-SPAN RCDG BRIDGE (TYPE C-1)
SCALE 1:200 mts

B TYPICAL BRIDGE CROSS-SECTION
FOR COLLECTOR STREETS CS-A & CS-B
SCALE 1:200 mts



C TYPICAL 3-SPAN RCDG BRIDGE (TYPE C-2)
SCALE 1:200 mts

4 TYPICAL BRIDGE SECTION & ELEVATION FOR CS-A & CS-B

MINISTRY OF TRANSPORT AND ROADS
GOVERNMENT OF SOUTHERN SUDAN
MINISTRY OF PHYSICAL INFRASTRUCTURE
CENTRAL EQUATORIA STATE

JUBA URBAN TRANSPORT INFRASTRUCTURE
AND CAPACITY DEVELOPMENT STUDY
IN THE SOUTHERN SUDAN

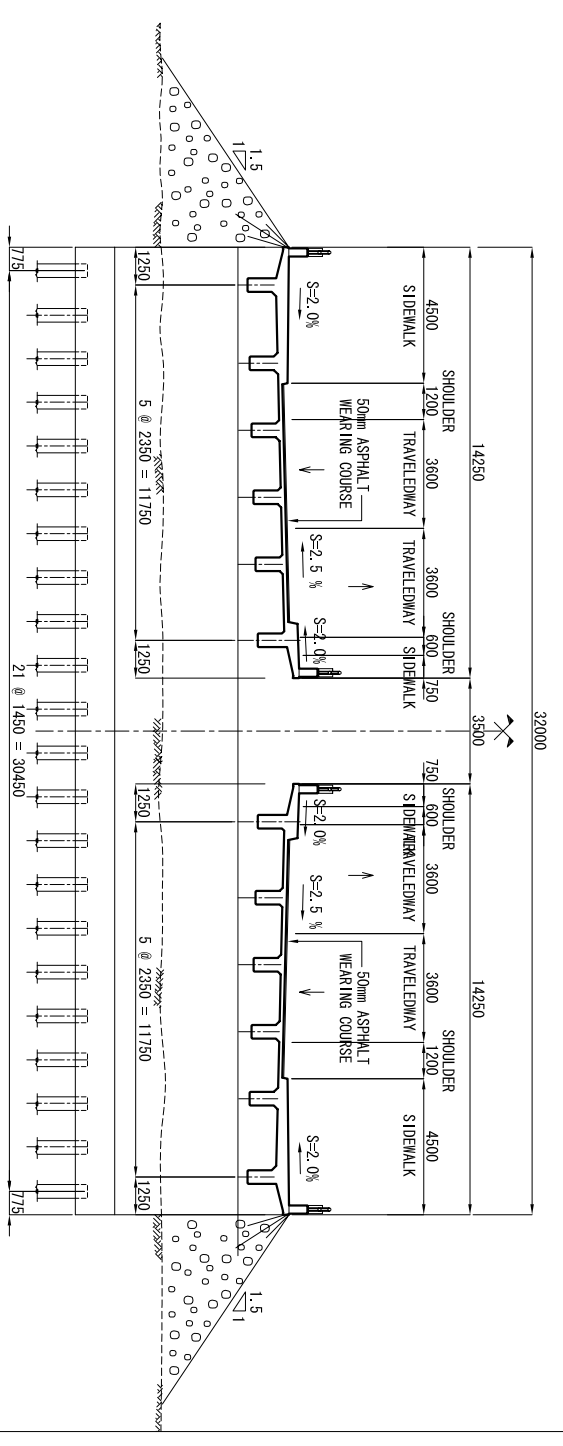
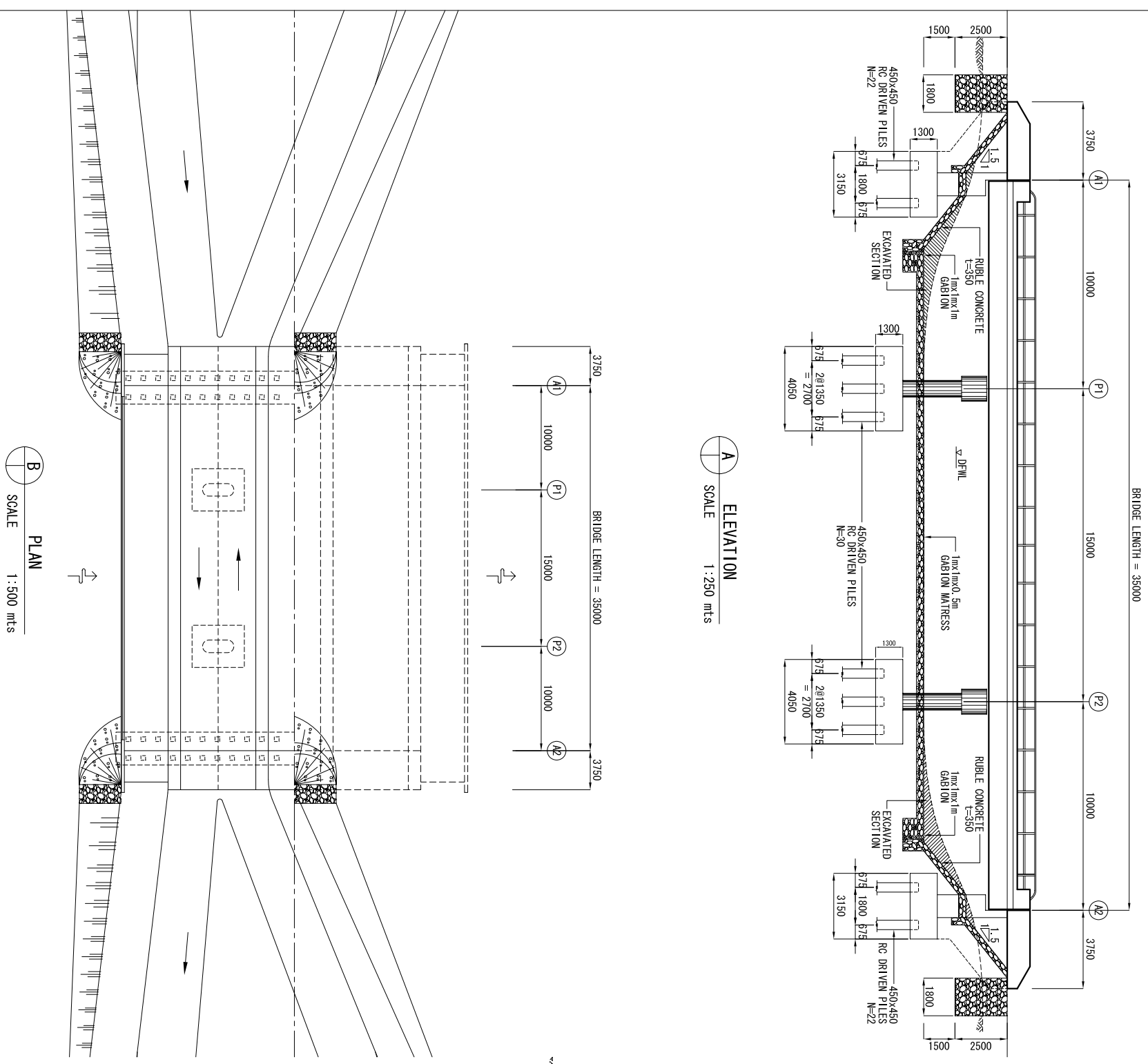
CTI ENGINEERING INTERNATIONAL CO.,LTD
YACHIYO ENGINEERING CO.,LTD.

TITLE:
TYPICAL BRIDGE FOR LENGTH 50 METERS

SCALE
AS SHOWN

Drawing No.	BR-4
Sheet No.	44

- NOTES:**
1. THIS DRAWING IS FOR REFERENCE ONLY AND NOT FOR CONSTRUCTION USE.
 2. THE COORDINATES AND ELEVATION ARE BASED ON THE TOPOGRAPHIC MAP PREPARED BY USING SATELLITE IMAGE OF JUBA IN MARCH OF 2009 AND IS NOT BASED ON THE FIELD SURVEY.



MINISTRY OF TRANSPORT AND ROADS GOVERNMENT OF SOUTHERN SUDAN MINISTRY OF PHYSICAL INFRASTRUCTURE CENTRAL EQUATORIA STATE		JUBA URBAN TRANSPORT INFRASTRUCTURE AND CAPACITY DEVELOPMENT STUDY IN THE SOUTHERN SUDAN		CTI ENGINEERING INTERNATIONAL CO.,LTD YACHIYO ENGINEERING CO.,LTD.	
TITLE :		SCALE		Drawing No.	
TYPICAL BRIDGE FOR LENGTH 35 METERS		AS SHOWN		BR-5	
				Sheet No. 45	