

L'OFFICE DES ROUTES  
THE REPUBLIC OF BURUNDI

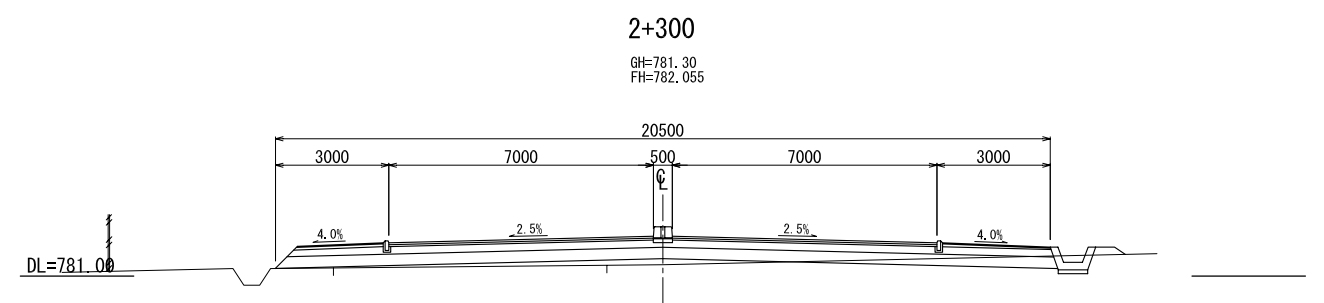
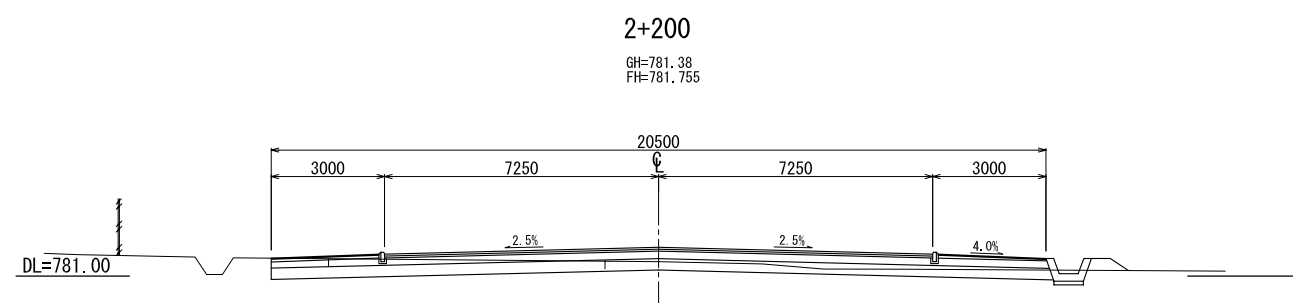
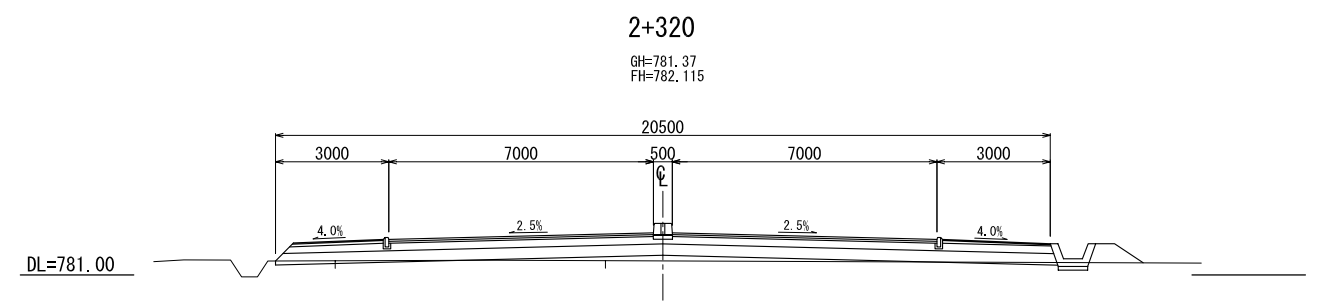
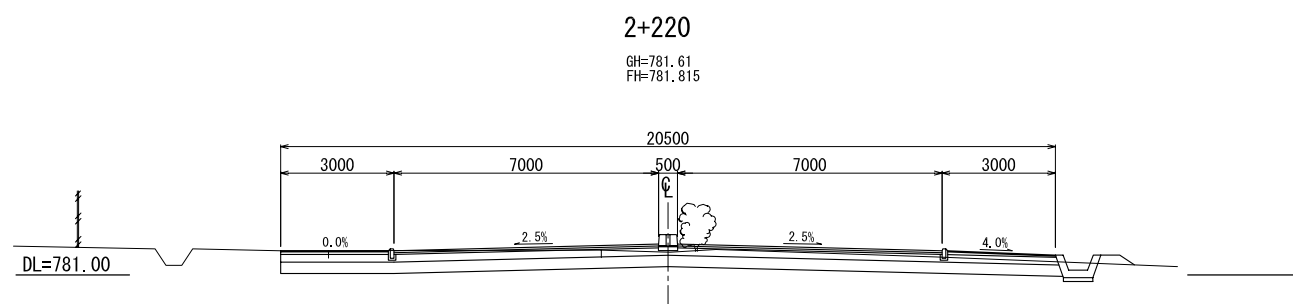
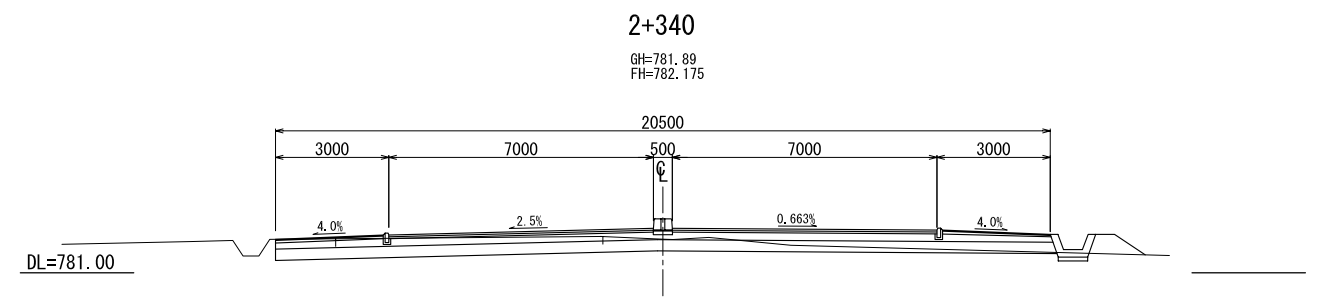
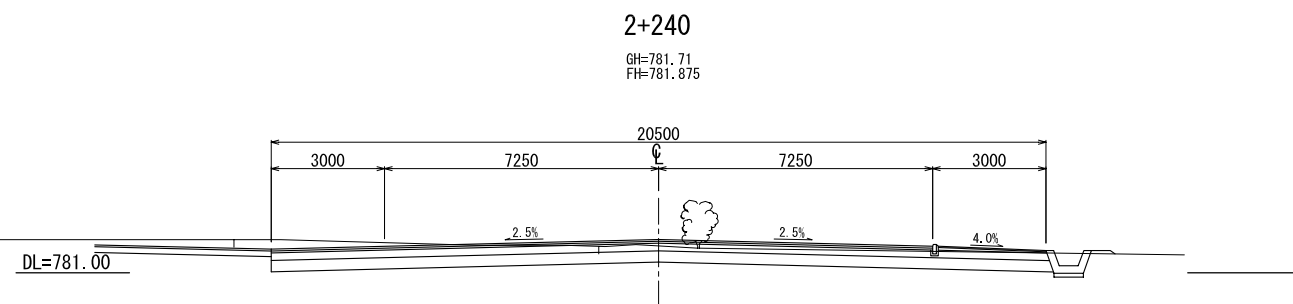
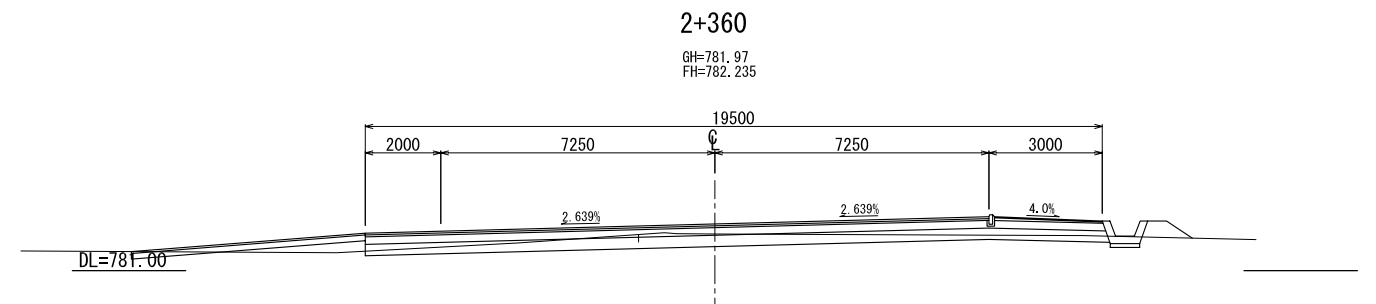
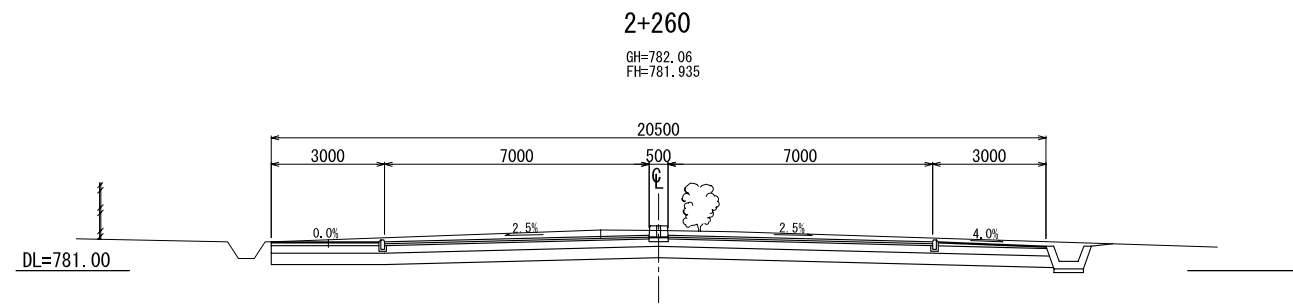
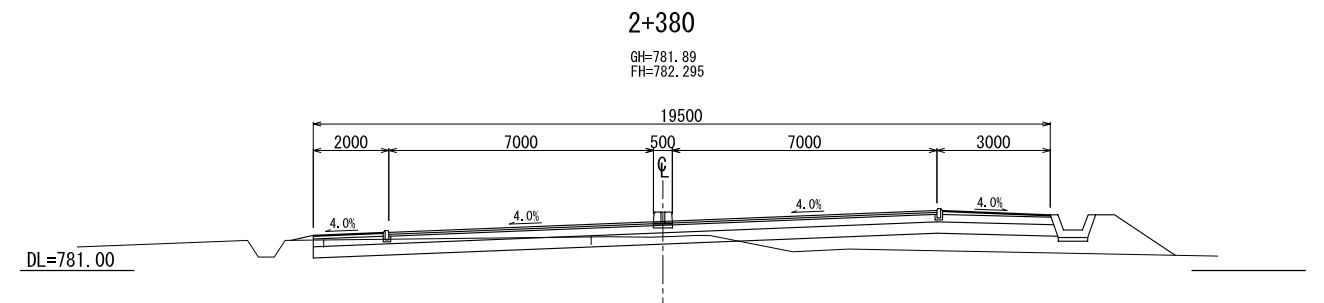
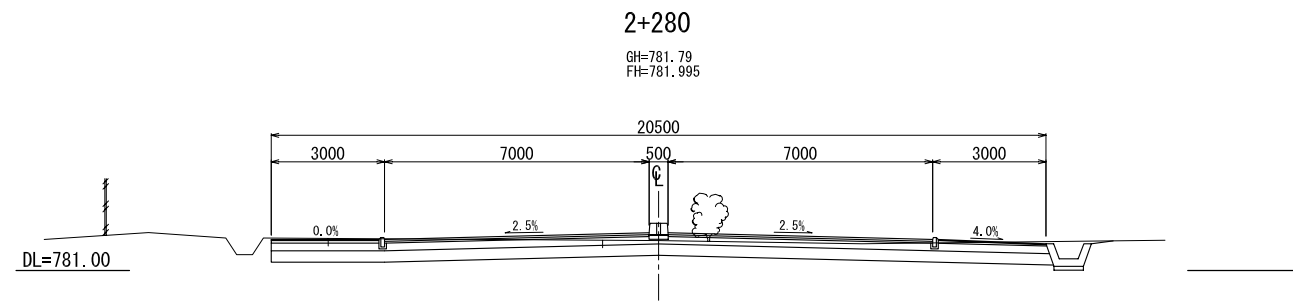
THE BASIC DESIGN STUDY  
ON THE GRANT AID FOR REHABILITATION OF  
ROADS AND INFRASTRUCTURE FOR BUJUMBURA CITY  
IN THE REPUBLIC OF BURUNDI

JAPAN INTERNATIONAL COOPERATION AGENCY  
CTI ENGINEERING INTERNATIONAL CO., LTD.

TITLE :  
CROSS SECTION OF ROAD  
ROUTE-1 (11/15)

SCALE  
S=1:100

Drawing No.  
CS-11



L'OFFICE DES ROUTES  
THE REPUBLIC OF BURUNDI

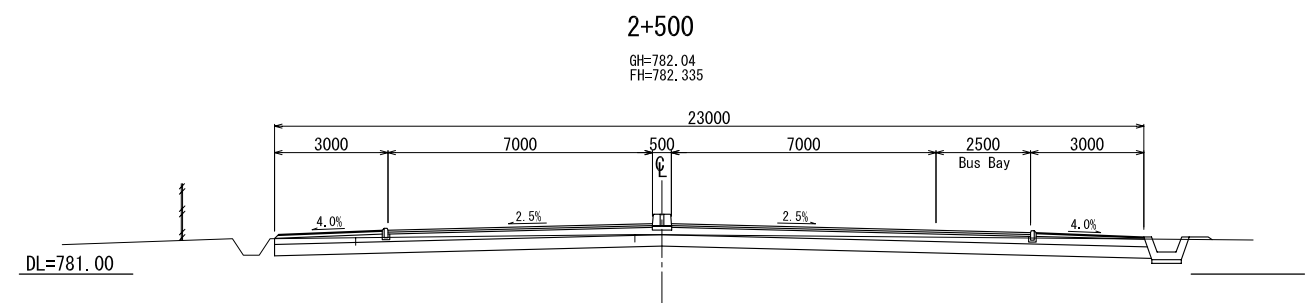
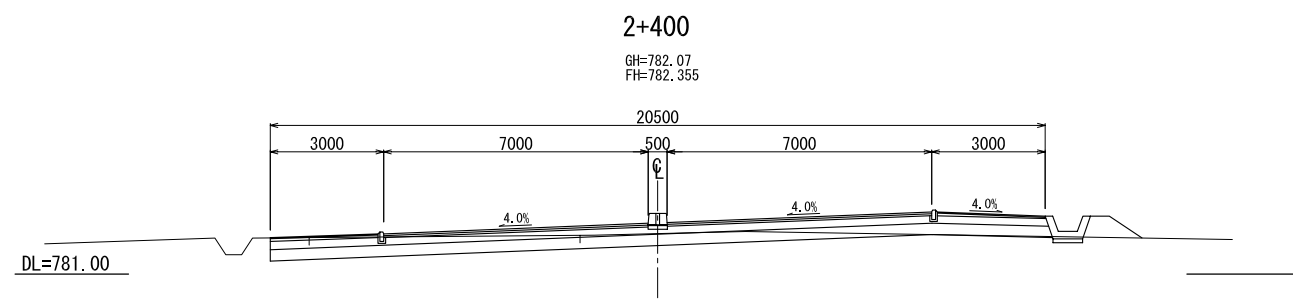
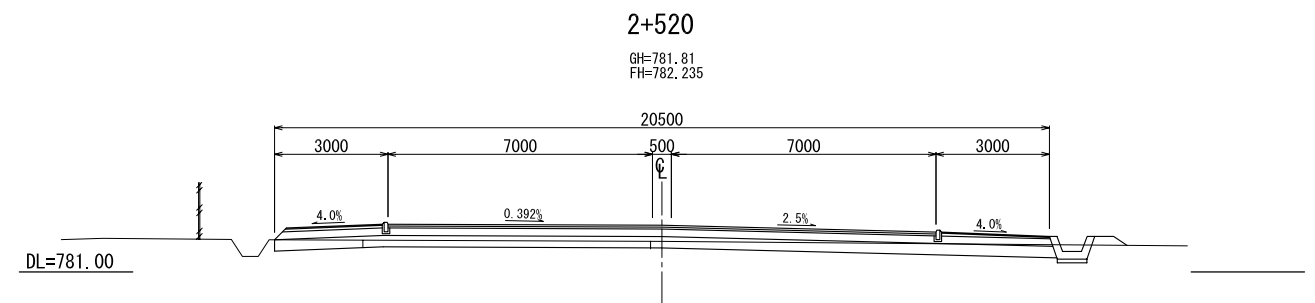
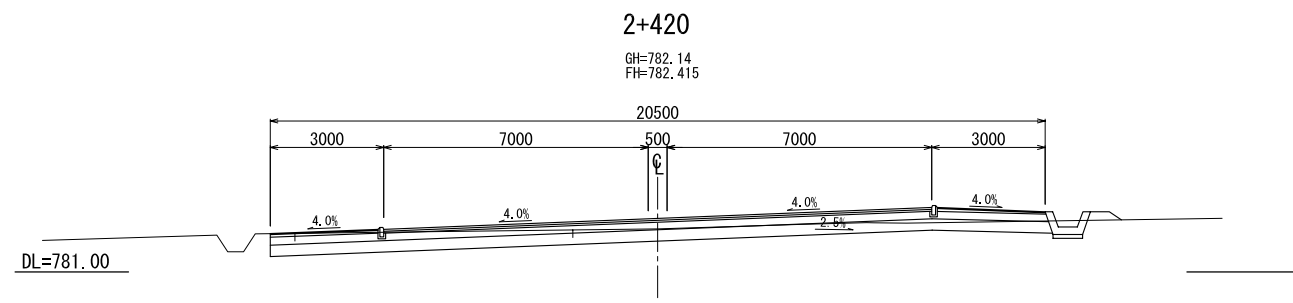
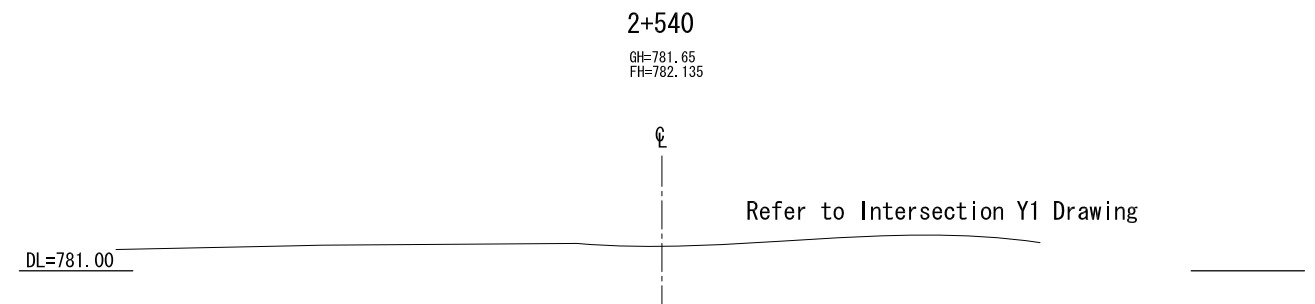
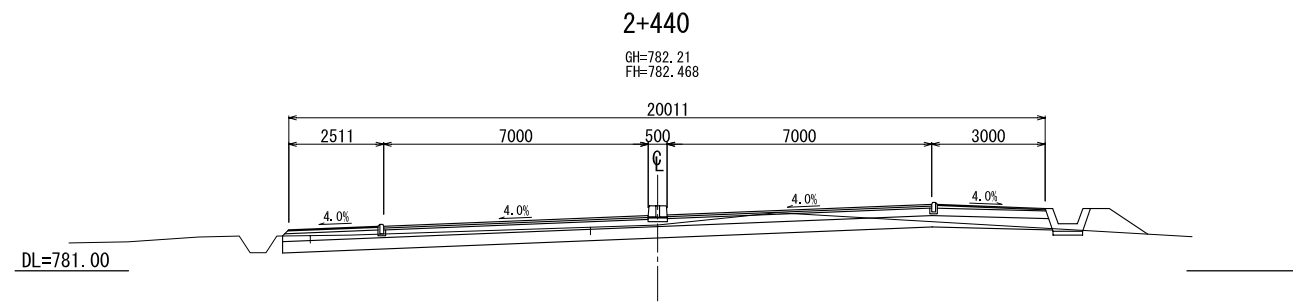
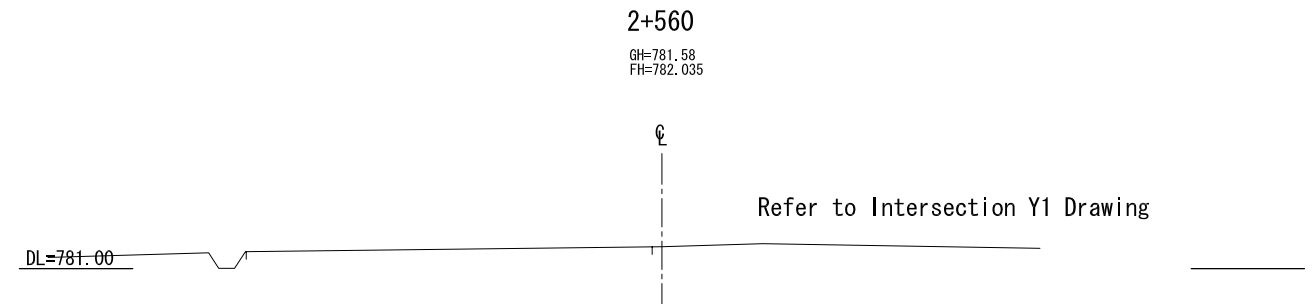
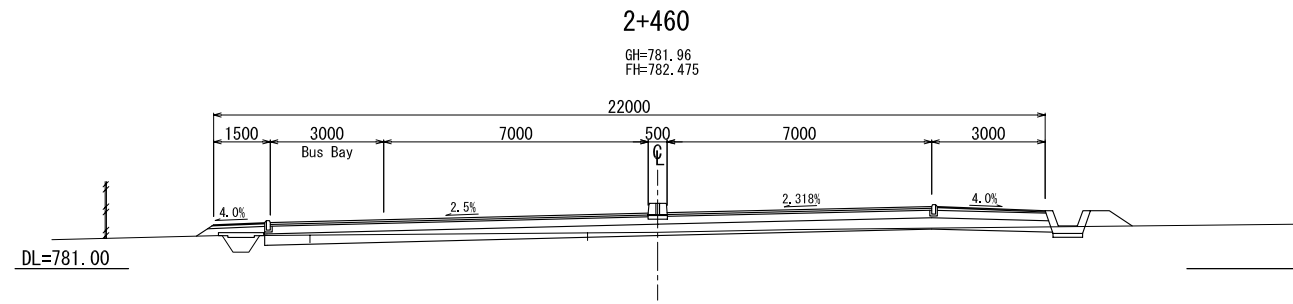
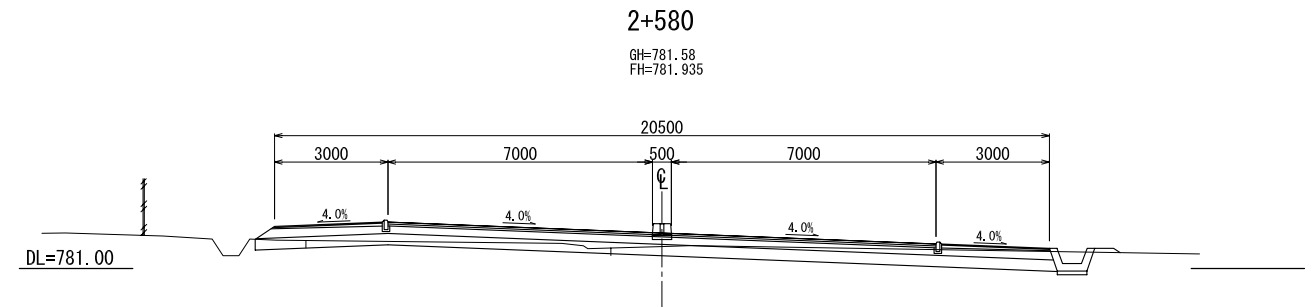
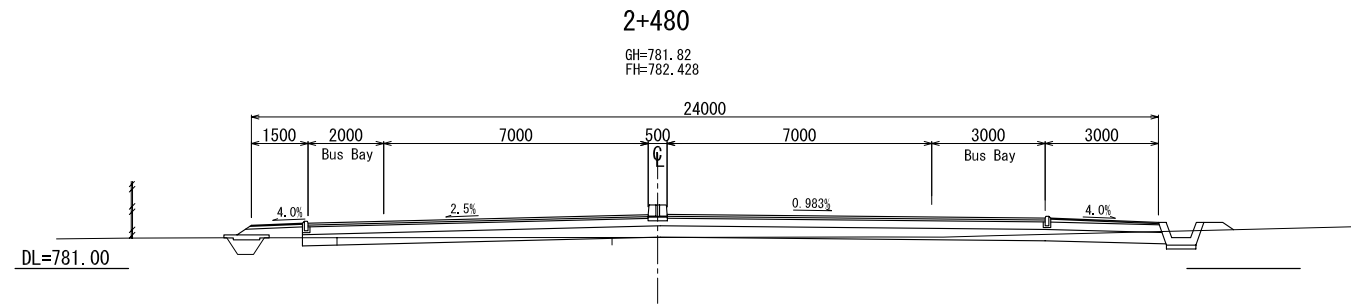
THE BASIC DESIGN STUDY  
ON THE GRANT AID FOR REHABILITATION OF  
ROADS AND INFRASTRUCTURE FOR BUJUMBURA CITY  
IN THE REPUBLIC OF BURUNDI

JAPAN INTERNATIONAL COOPERATION AGENCY  
CTI ENGINEERING INTERNATIONAL CO., LTD.

TITLE :  
CROSS SECTION OF ROAD  
ROUTE-1 (12/15)

SCALE  
S=1:100

Drawing No.  
CS-12



L'OFFICE DES ROUTES  
THE REPUBLIC OF BURUNDI

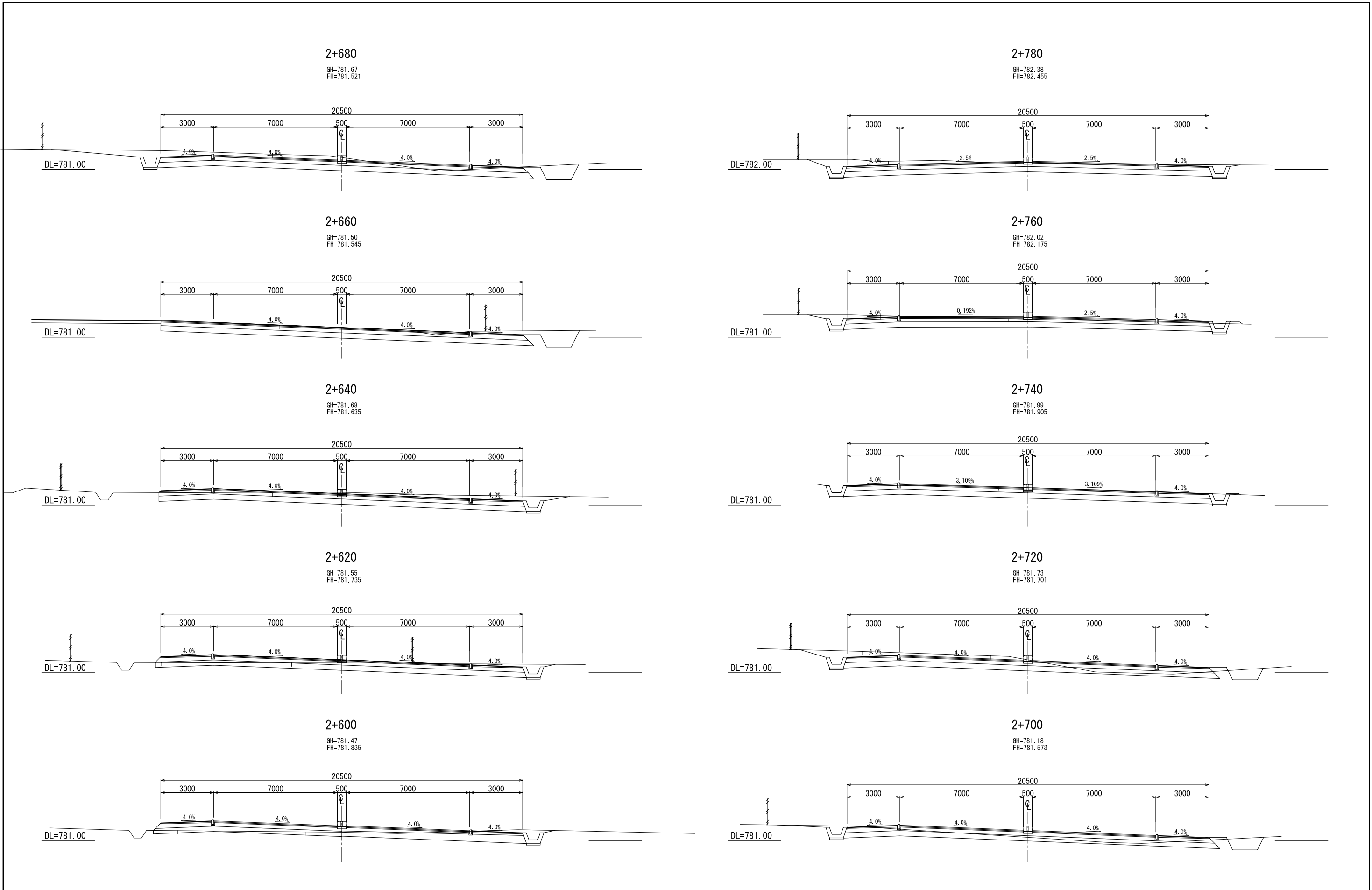
THE BASIC DESIGN STUDY  
ON THE GRANT AID FOR REHABILITATION OF  
ROADS AND INFRASTRUCTURE FOR BUJUMBURA CITY  
IN THE REPUBLIC OF BURUNDI

JAPAN INTERNATIONAL COOPERATION AGENCY  
CTI ENGINEERING INTERNATIONAL CO., LTD.

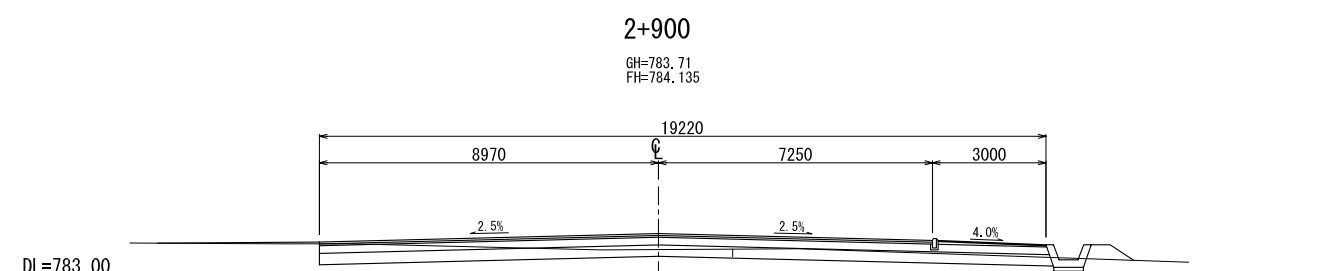
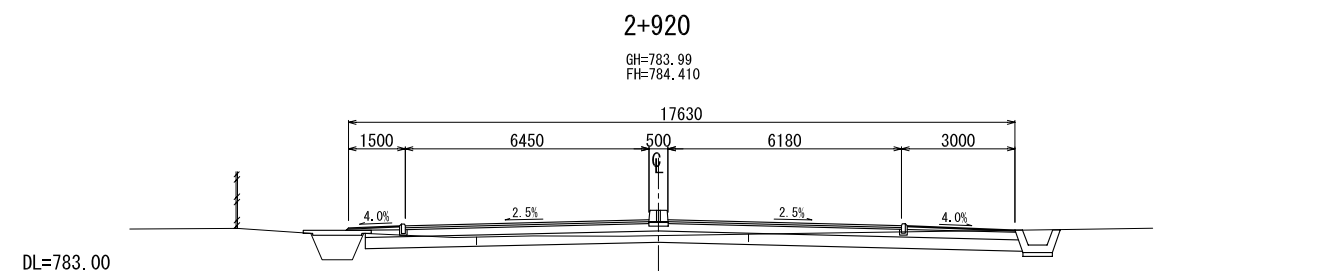
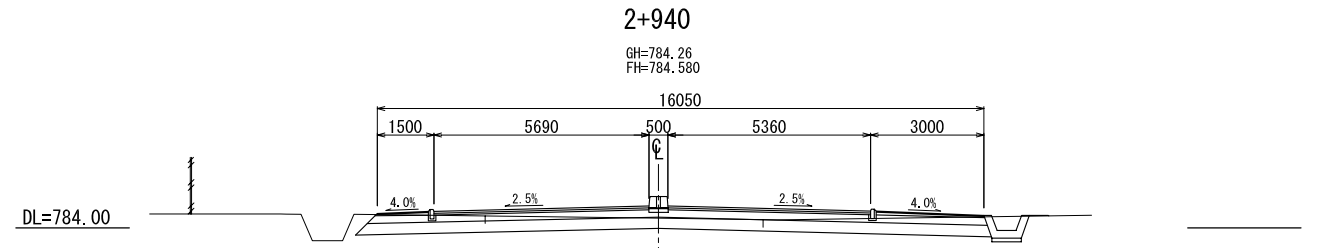
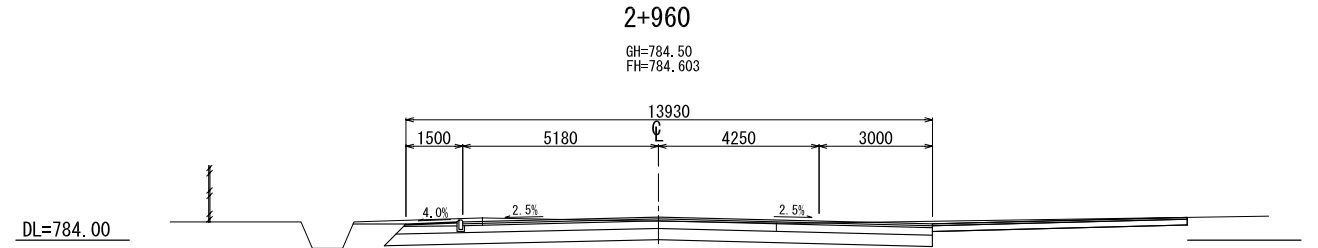
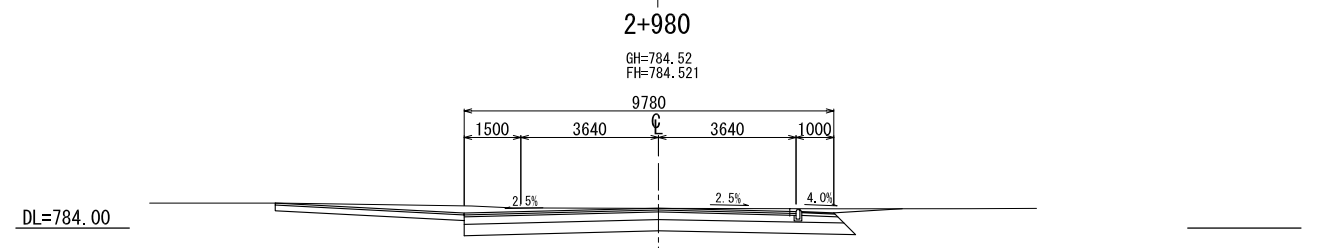
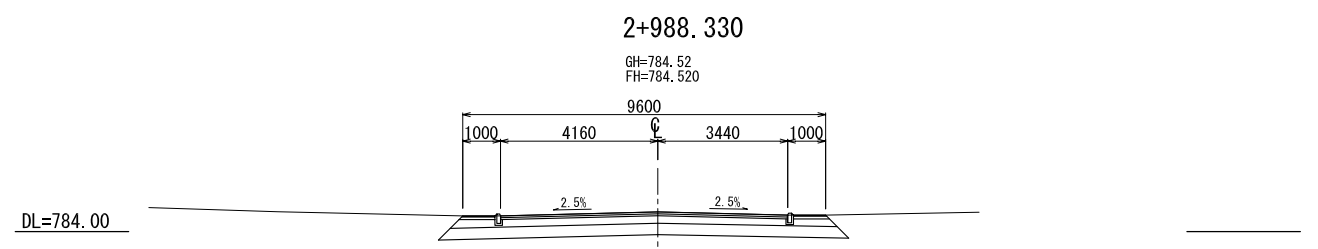
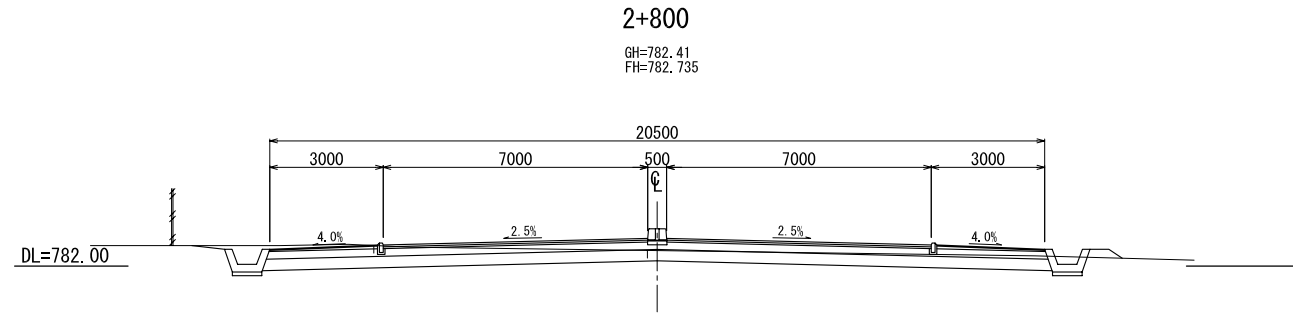
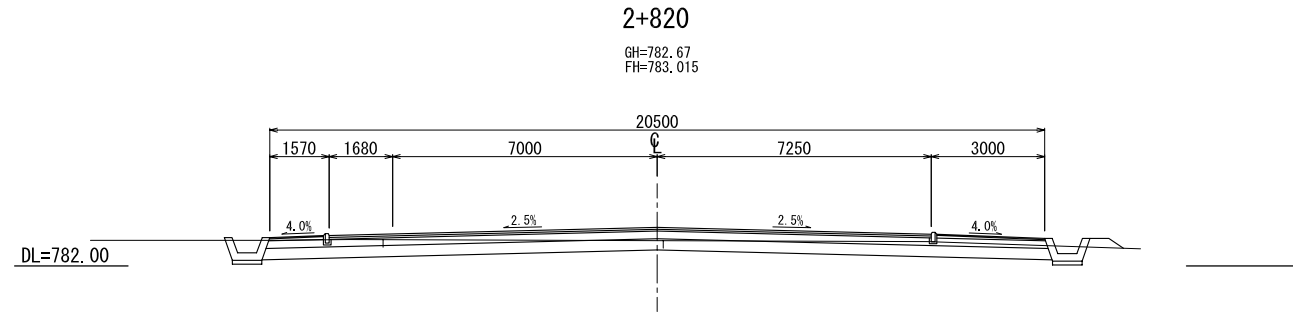
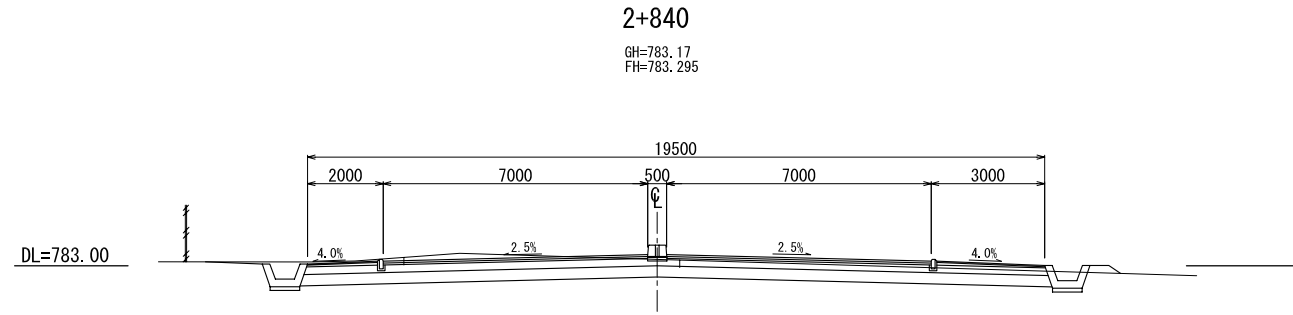
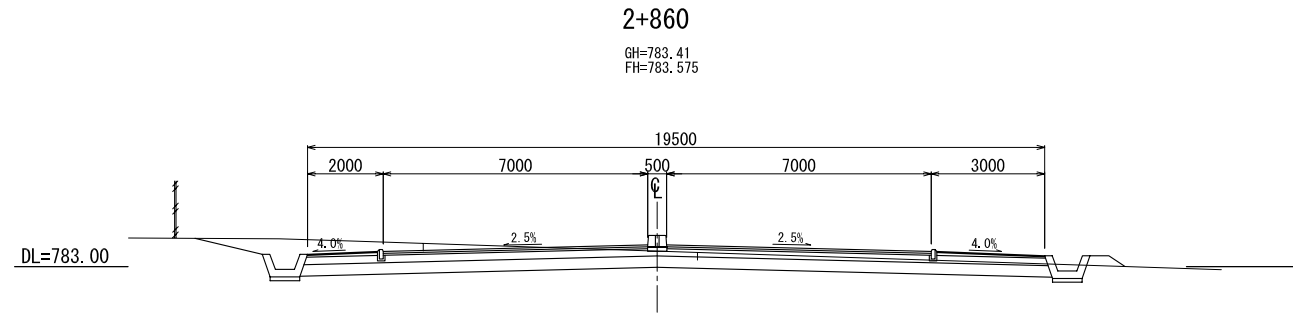
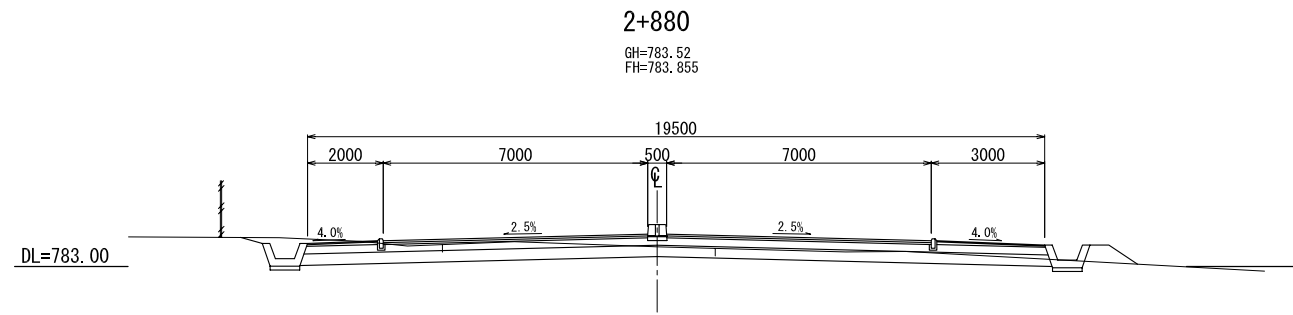
TITLE :  
CROSS SECTION OF ROAD  
ROUTE-1 (13/15)

SCALE  
S=1:100

Drawing No.  
CS-13



<p>L'OFFICE DES ROUTES THE REPUBLIC OF BURUNDI</p>	<p>THE BASIC DESIGN STUDY ON THE GRANT AID FOR REHABILITATION OF ROADS AND INFRASTRUCTURE FOR BUJUMBURA CITY IN THE REPUBLIC OF BURUNDI</p>	<p>JAPAN INTERNATIONAL COOPERATION AGENCY CTI ENGINEERING INTERNATIONAL CO., LTD.</p>	<p>TITLE : CROSS SECTION OF ROAD ROUTE-1 (14/15)</p>	<p>SCALE S=1:100</p>	<p>Drawing No. CS-14</p>
--	---	---	--	--------------------------	------------------------------



L'OFFICE DES ROUTES  
THE REPUBLIC OF BURUNDI

THE BASIC DESIGN STUDY  
ON THE GRANT AID FOR REHABILITATION OF  
ROADS AND INFRASTRUCTURE FOR BUJUMBURA CITY  
IN THE REPUBLIC OF BURUNDI

JAPAN INTERNATIONAL COOPERATION AGENCY  
CTI ENGINEERING INTERNATIONAL CO., LTD.

TITLE :  
CROSS SECTION OF ROAD  
ROUTE-1 (15/15)

SCALE  
S=1:100

Drawing No.  
CS-15