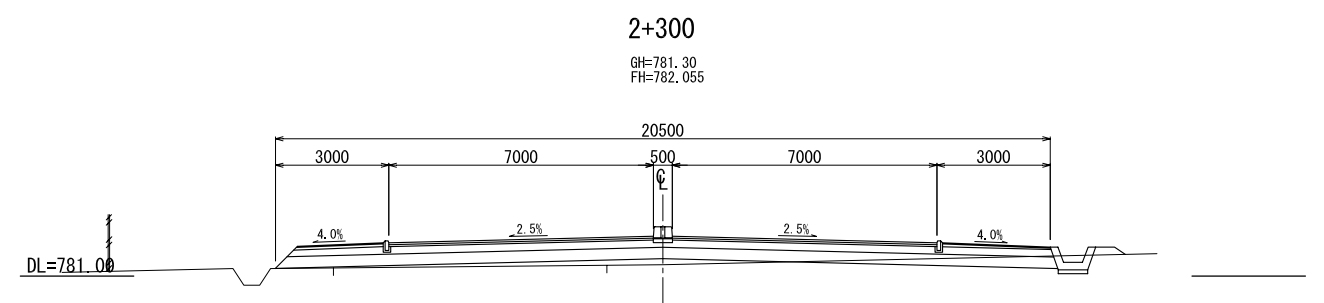
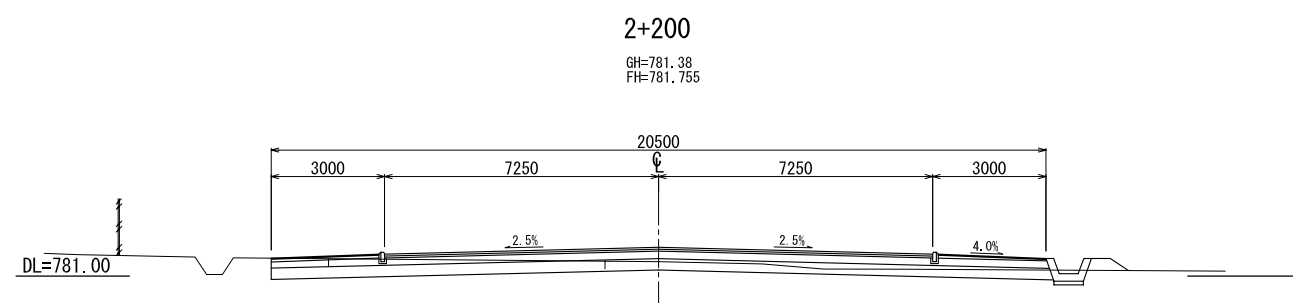
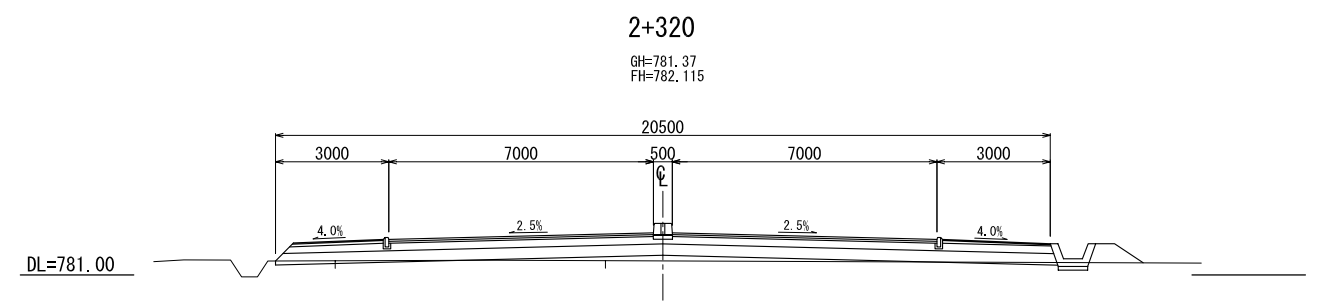
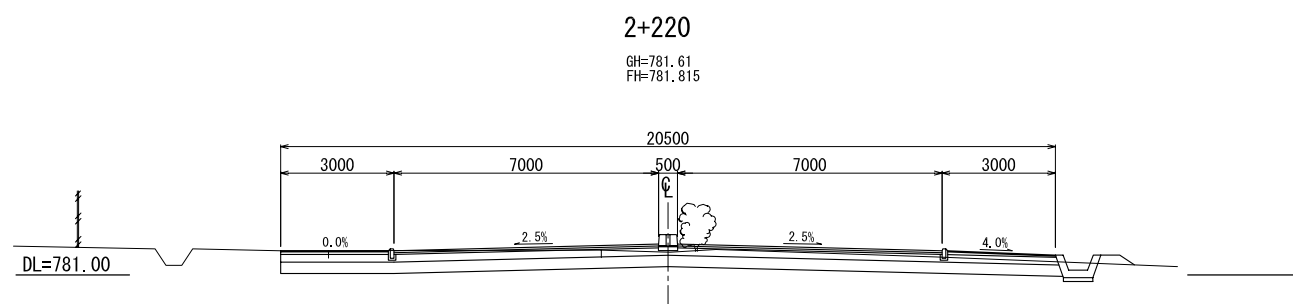
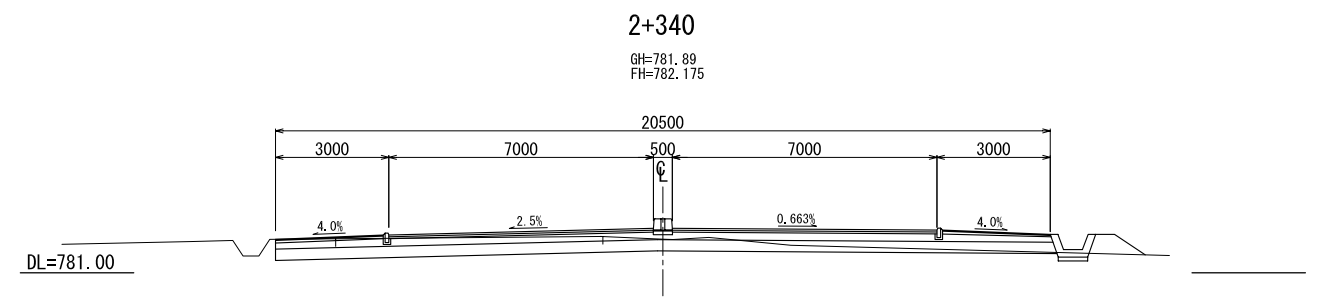
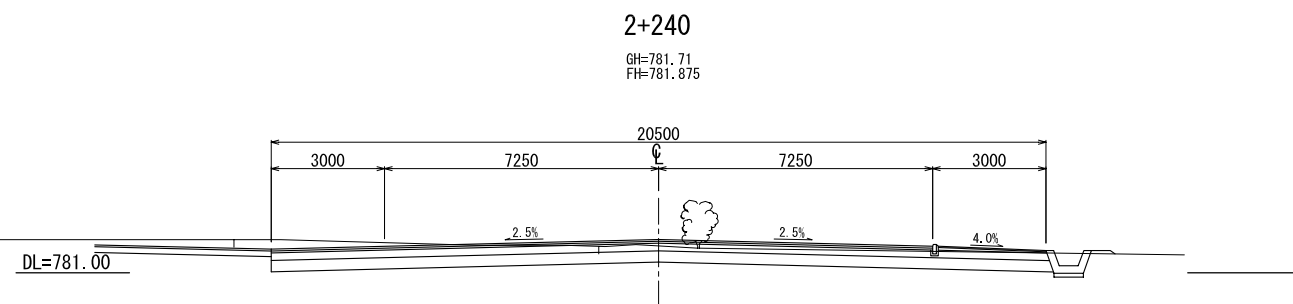
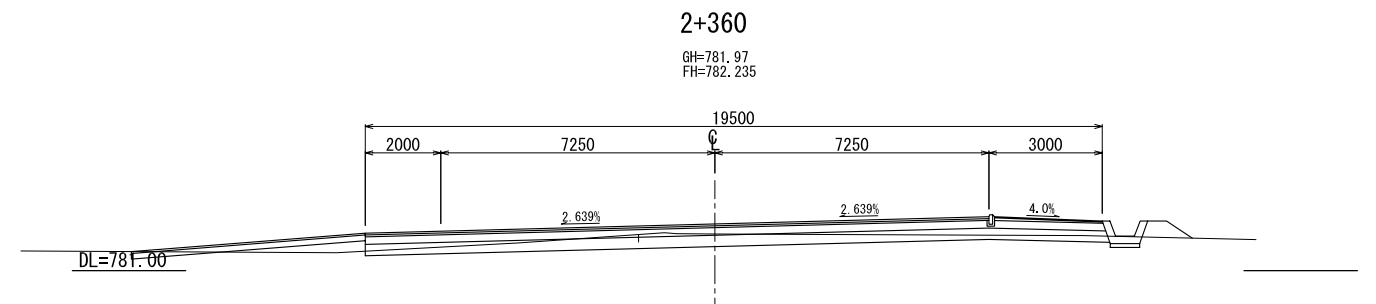
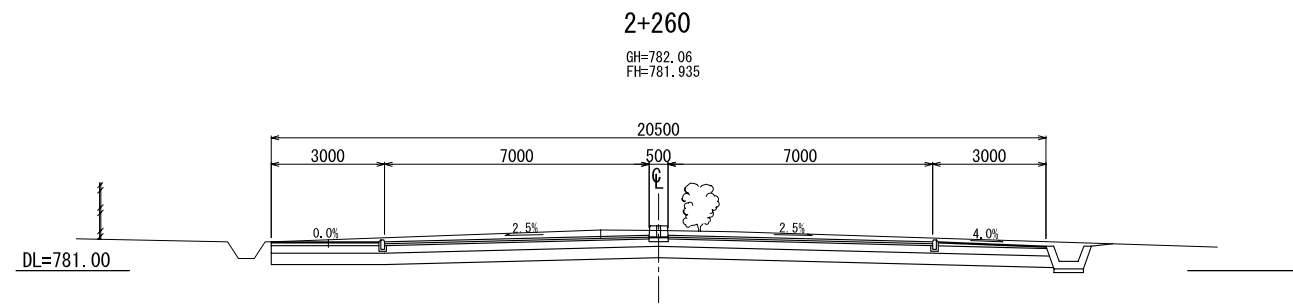
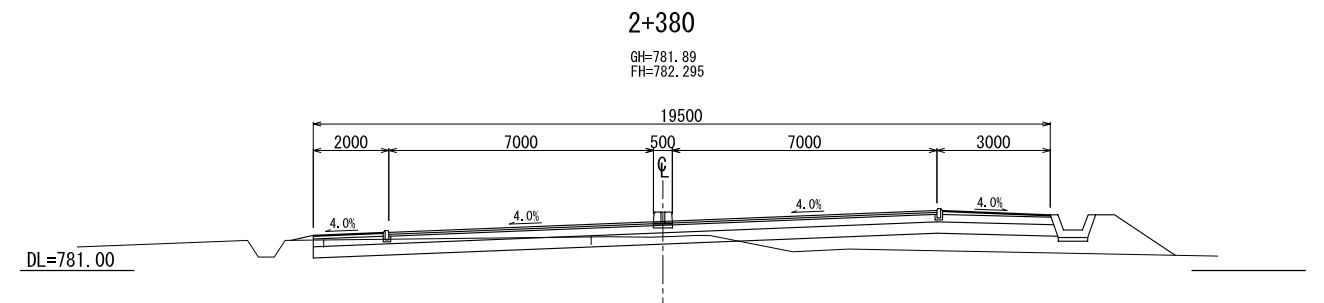
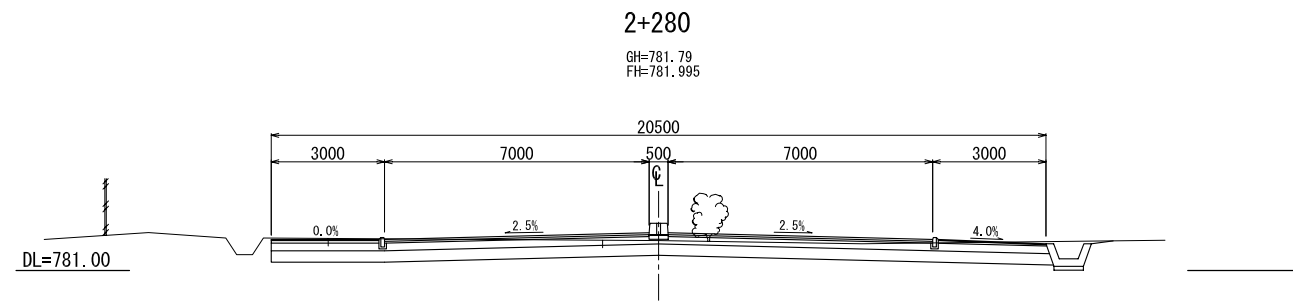


L'OFFICE DES ROUTES THE REPUBLIC OF BURUNDI	THE BASIC DESIGN STUDY ON THE GRANT AID FOR REHABILITATION OF ROADS AND INFRASTRUCTURE FOR BUJUMBURA CITY IN THE REPUBLIC OF BURUNDI	JAPAN INTERNATIONAL COOPERATION AGENCY CTI ENGINEERING INTERNATIONAL CO., LTD.	TITLE : CROSS SECTION OF ROAD ROUTE-1 (11/15)	SCALE S=1:100	Drawing No. CS-11
--	---	---	---	------------------	----------------------



L'OFFICE DES ROUTES
THE REPUBLIC OF BURUNDI

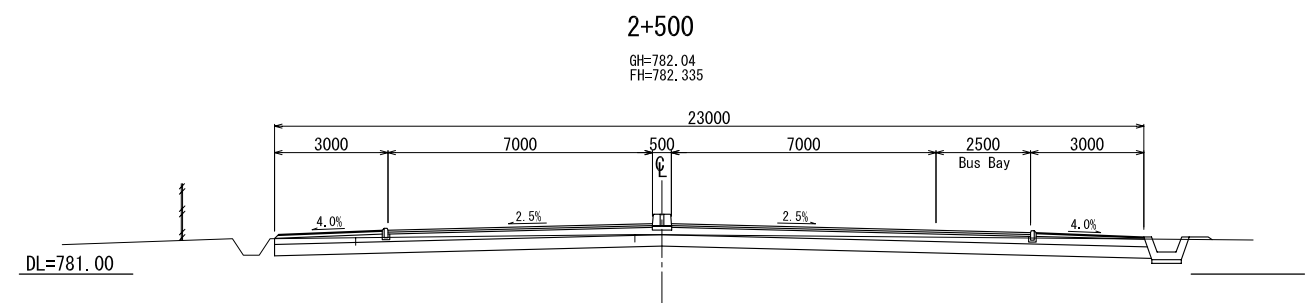
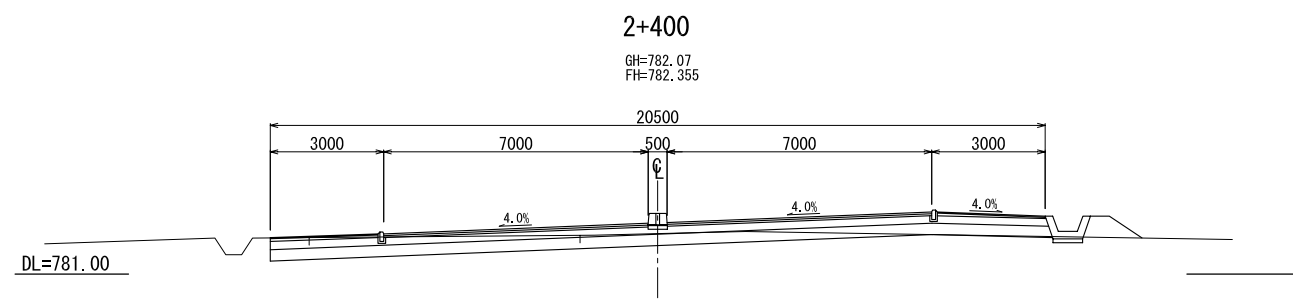
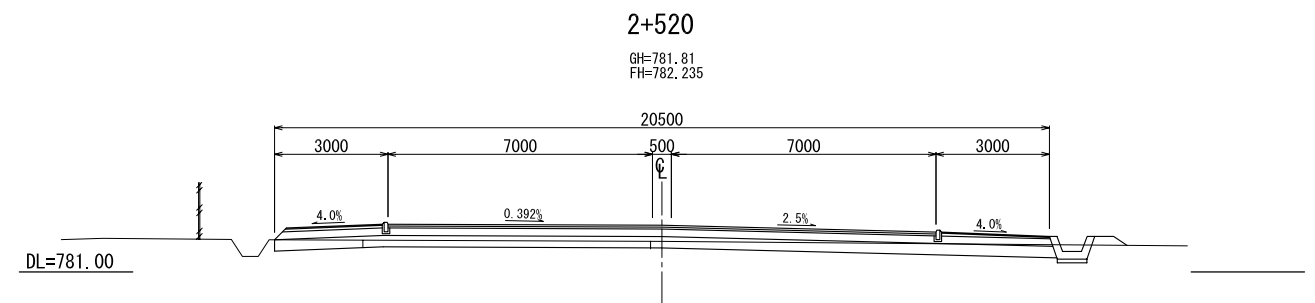
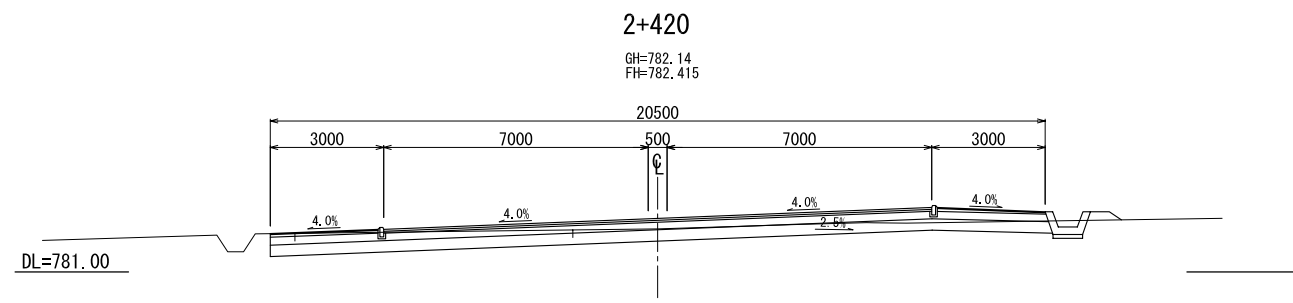
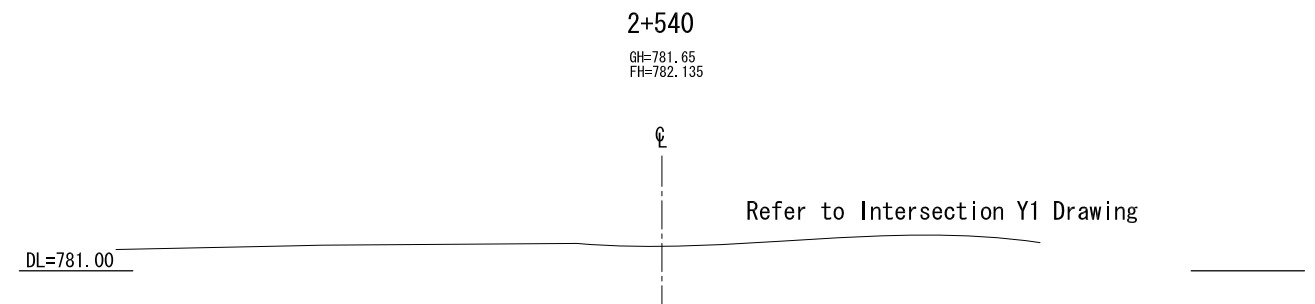
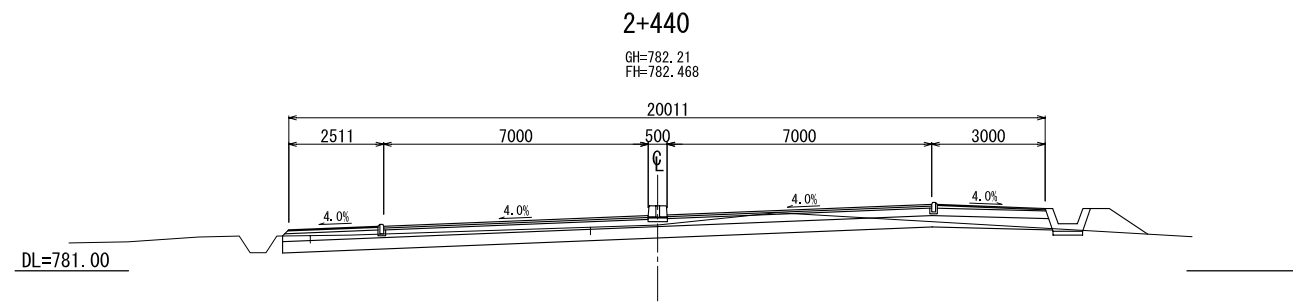
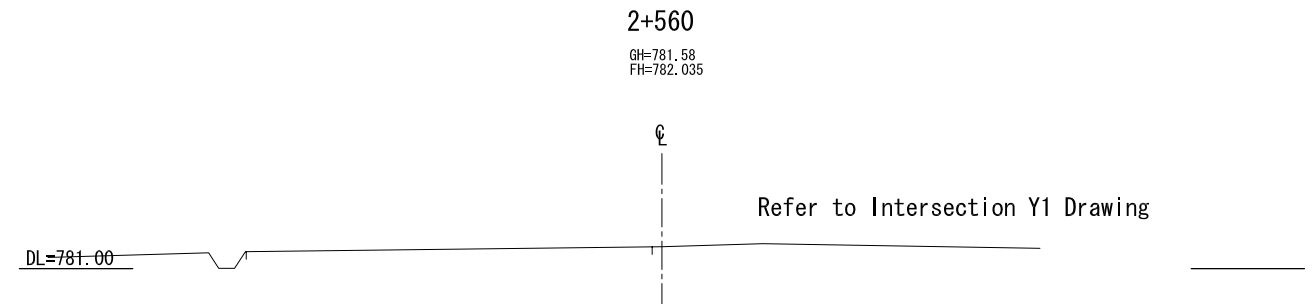
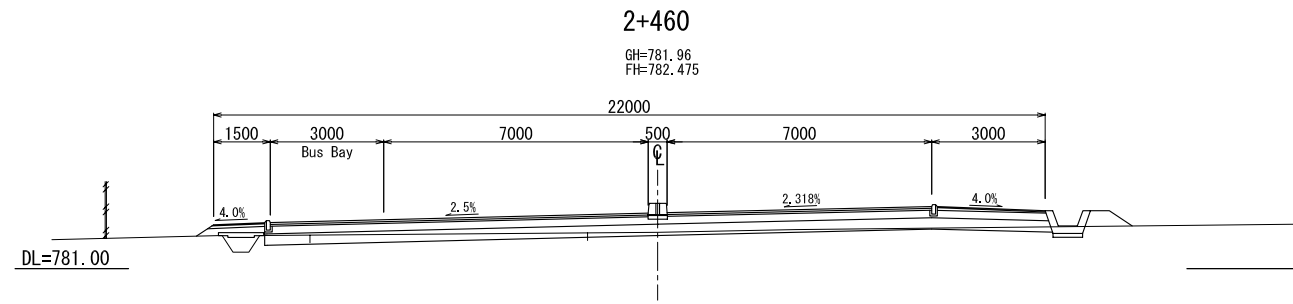
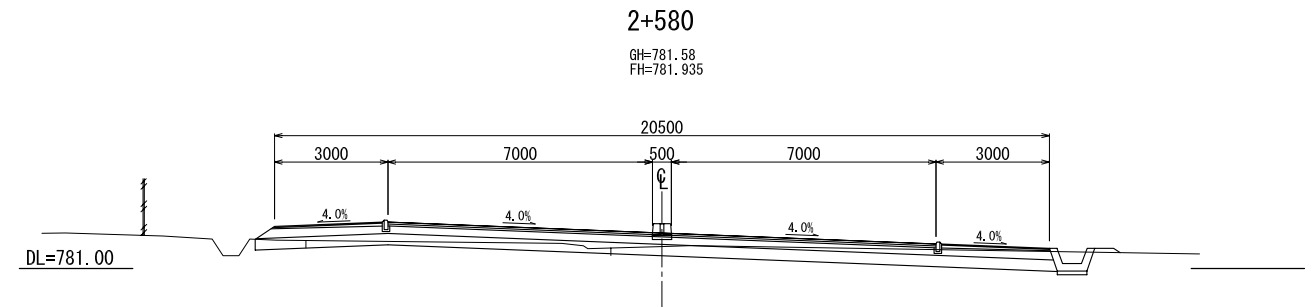
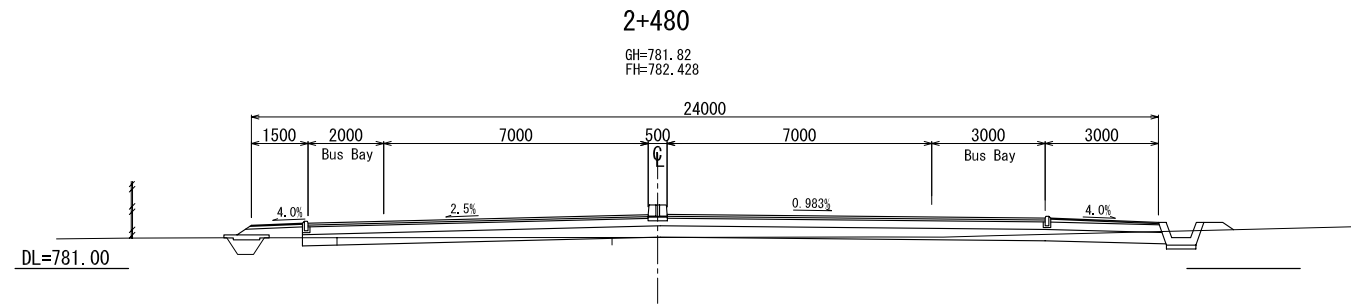
THE BASIC DESIGN STUDY
ON THE GRANT AID FOR REHABILITATION OF
ROADS AND INFRASTRUCTURE FOR BUJUMBURA CITY
IN THE REPUBLIC OF BURUNDI

JAPAN INTERNATIONAL COOPERATION AGENCY
CTI ENGINEERING INTERNATIONAL CO., LTD.

TITLE :
CROSS SECTION OF ROAD
ROUTE-1 (12/15)

SCALE
S=1:100

Drawing No.
CS-12



L'OFFICE DES ROUTES
THE REPUBLIC OF BURUNDI

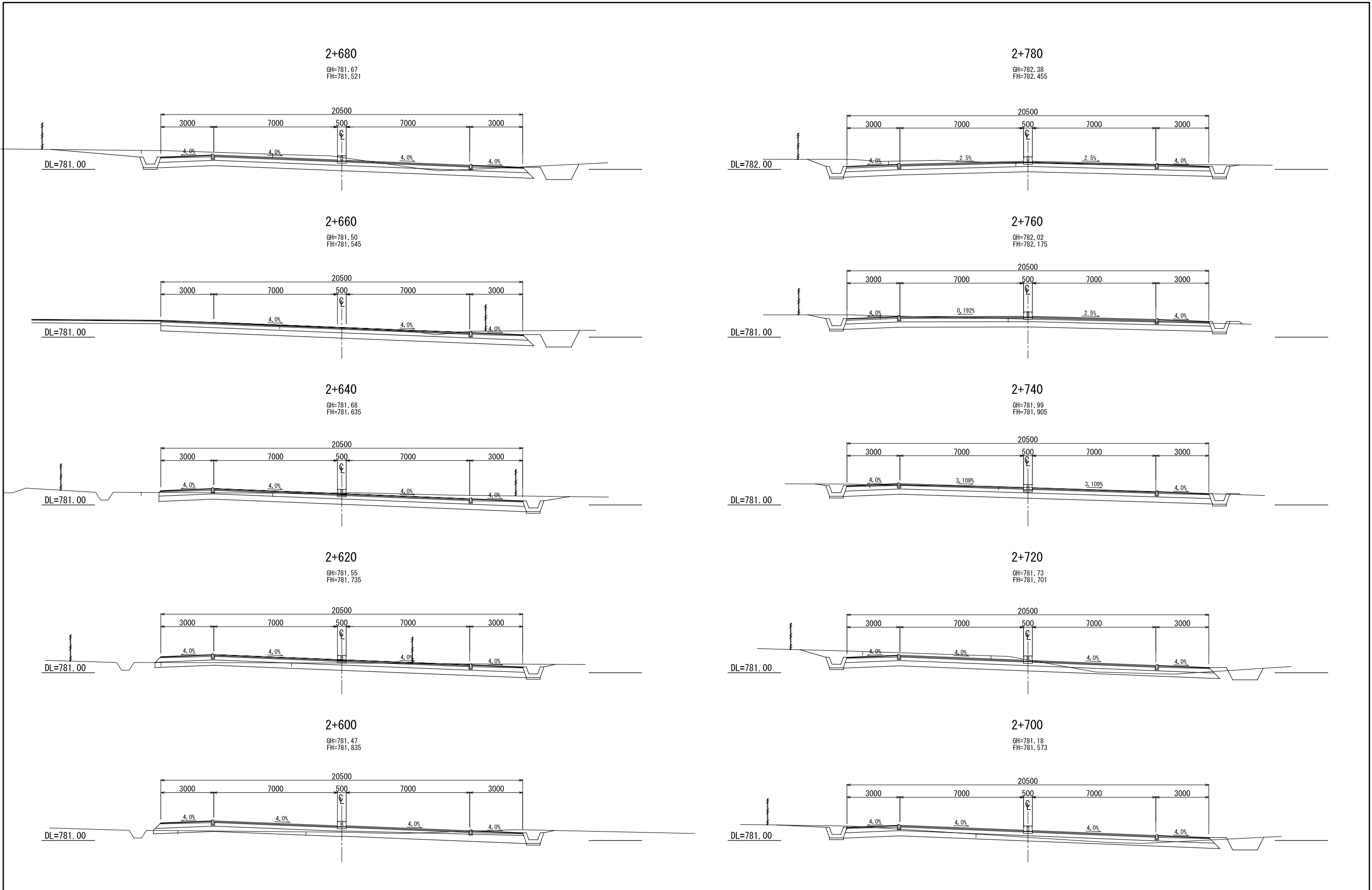
THE BASIC DESIGN STUDY
ON THE GRANT AID FOR REHABILITATION OF
ROADS AND INFRASTRUCTURE FOR BUJUMBURA CITY
IN THE REPUBLIC OF BURUNDI

JAPAN INTERNATIONAL COOPERATION AGENCY
CTI ENGINEERING INTERNATIONAL CO., LTD.

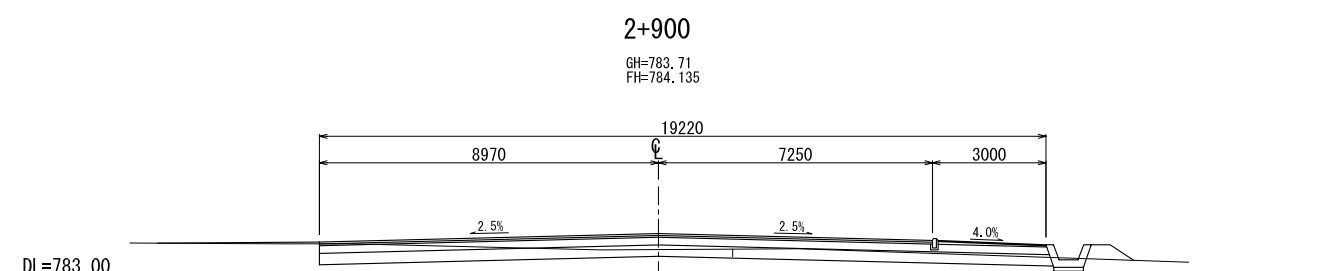
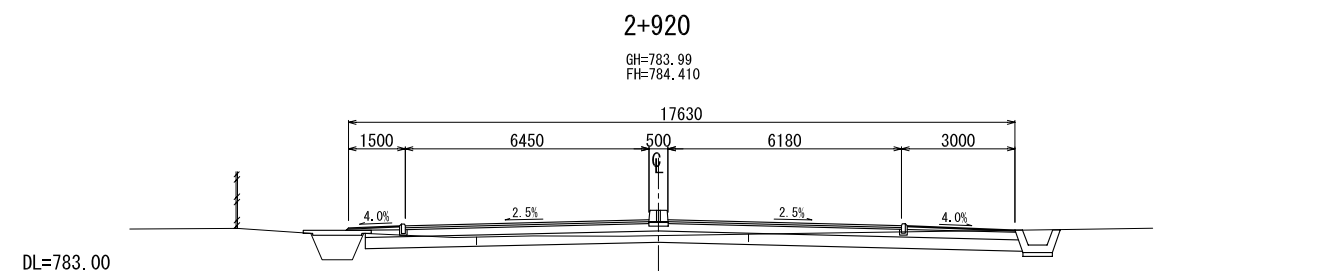
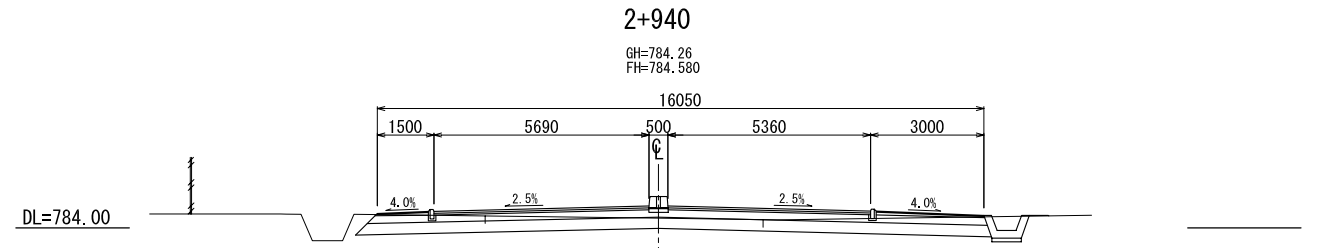
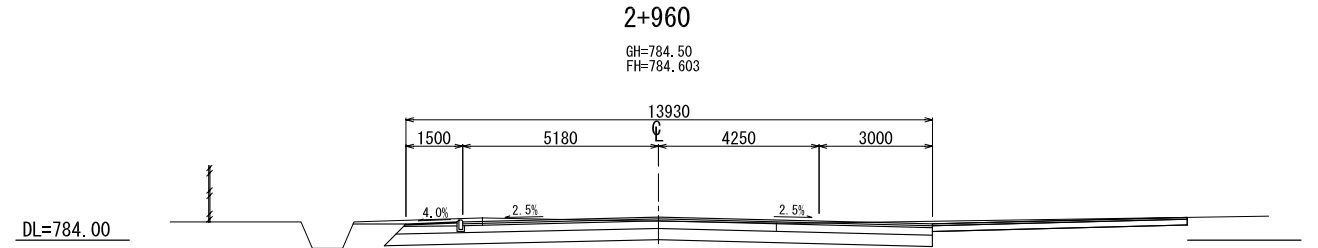
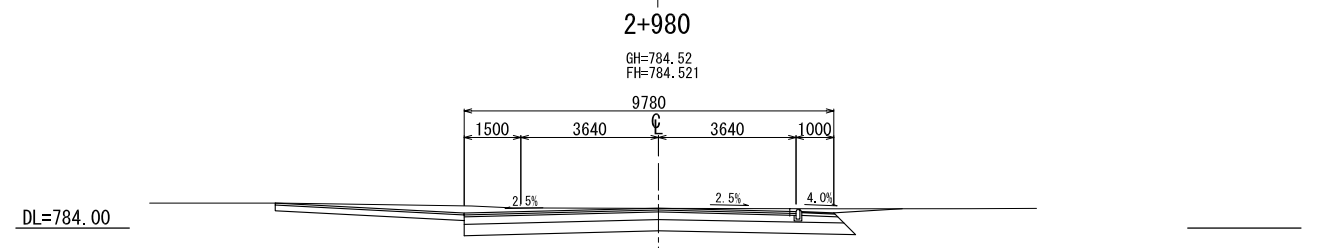
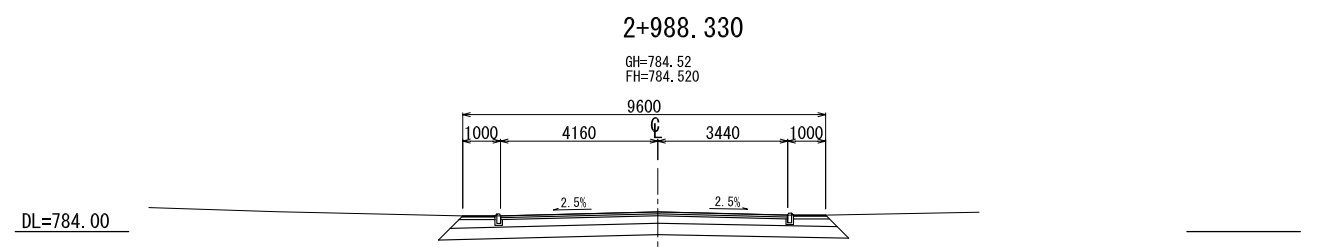
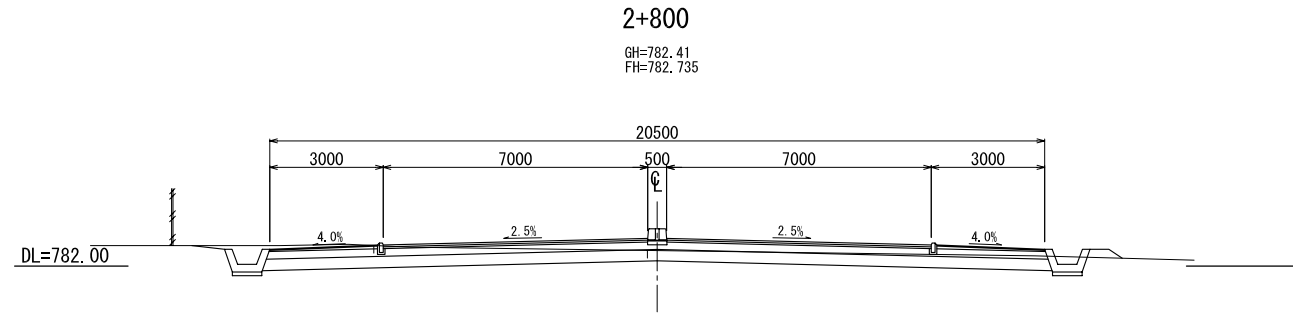
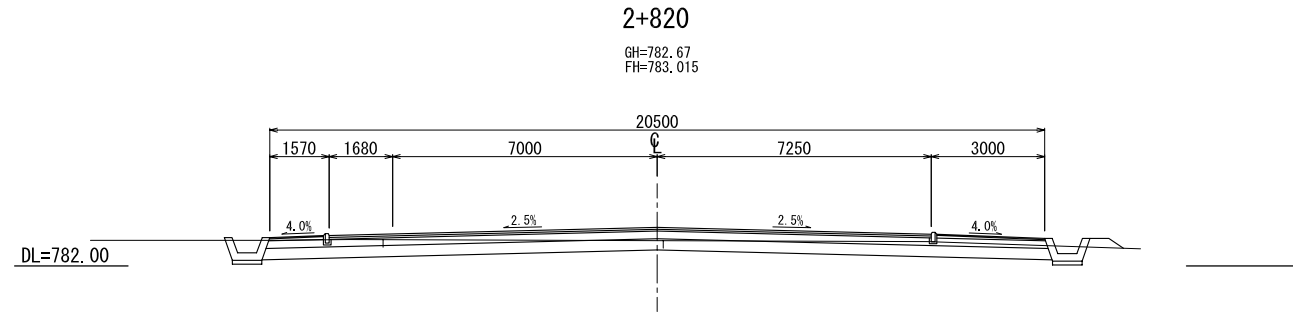
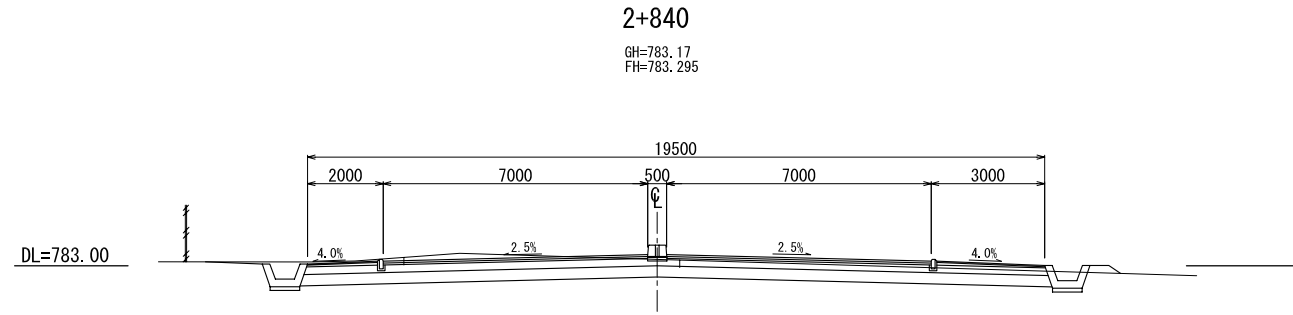
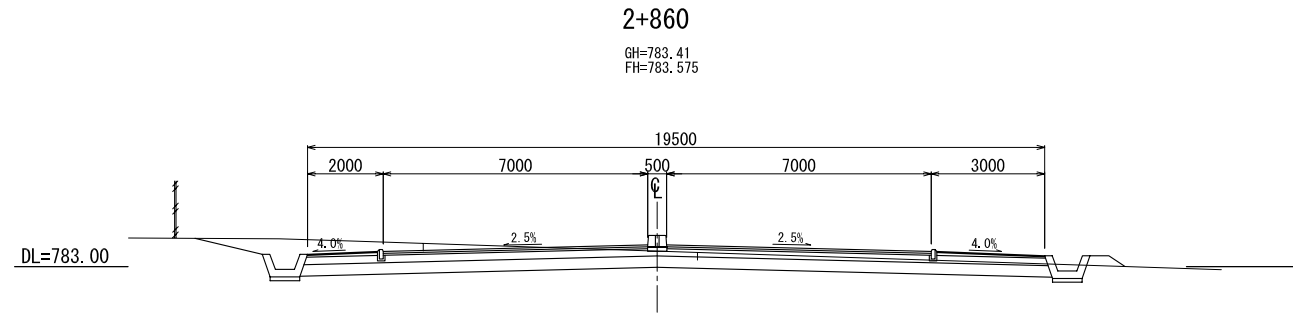
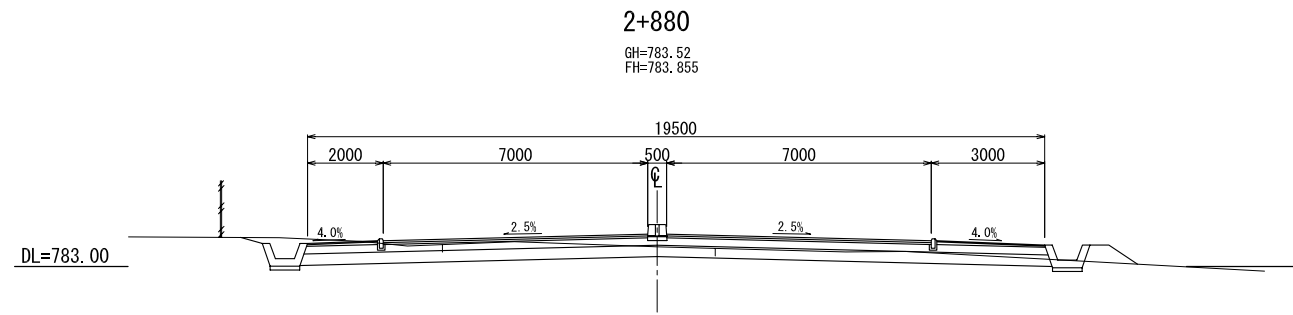
TITLE :
CROSS SECTION OF ROAD
ROUTE-1 (13/15)

SCALE
S=1:100

Drawing No.
CS-13



<p>L'OFFICE DES ROUTES THE REPUBLIC OF BURUNDI</p>	<p>THE BASIC DESIGN STUDY ON THE GRANT AID FOR REHABILITATION OF ROADS AND INFRASTRUCTURE FOR BUJUMBURA CITY IN THE REPUBLIC OF BURUNDI</p>	<p>JAPAN INTERNATIONAL COOPERATION AGENCY CTI ENGINEERING INTERNATIONAL CO., LTD.</p>	<p>TITLE : CROSS SECTION OF ROAD ROUTE-1 (14/15)</p>	<p>SCALE S=1:100</p>	<p>Drawing No. CS-14</p>
--	---	---	--	--------------------------	------------------------------



L'OFFICE DES ROUTES
THE REPUBLIC OF BURUNDI

THE BASIC DESIGN STUDY
ON THE GRANT AID FOR REHABILITATION OF
ROADS AND INFRASTRUCTURE FOR BUJUMBURA CITY
IN THE REPUBLIC OF BURUNDI

JAPAN INTERNATIONAL COOPERATION AGENCY
CTI ENGINEERING INTERNATIONAL CO., LTD.

TITLE :
CROSS SECTION OF ROAD
ROUTE-1 (15/15)

SCALE
S=1:100

Drawing No.
CS-15