

**【別添資料】**

**THE BASIC DESIGN STUDY**  
**ON**  
**GRANT AID FOR REHABILITATION OF ROADS AND**  
**INFRASTRUCTURES FOR BUJUMBURA CITY**

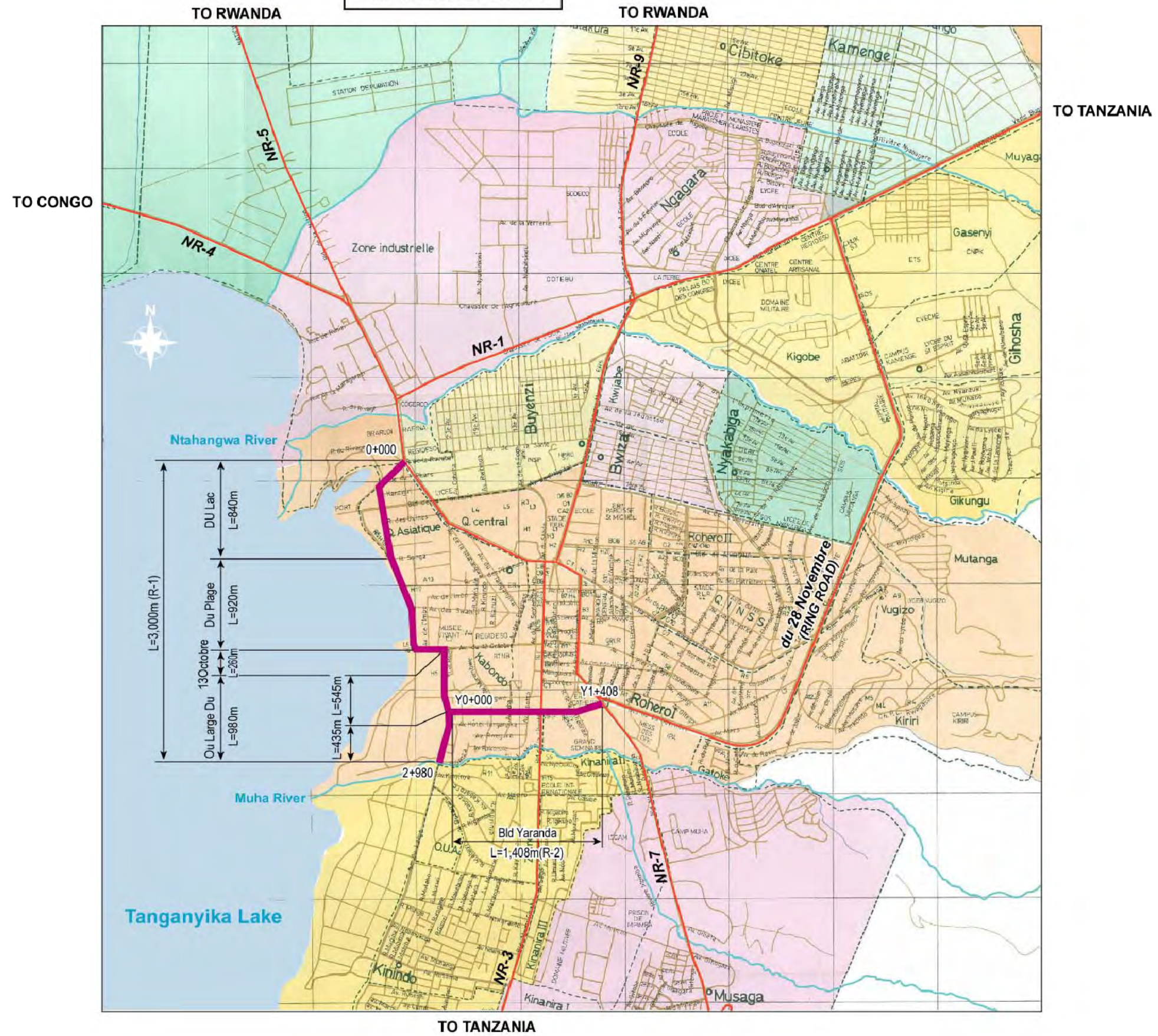
**JANUARY 2010**

**JAPAN INTERNATIONAL COOPERATION AGENCY**  
**CTI ENGINEERING INTERNATIONAL CO.,LTD.**

## CONTENTS OF DRAWINSH (目次)

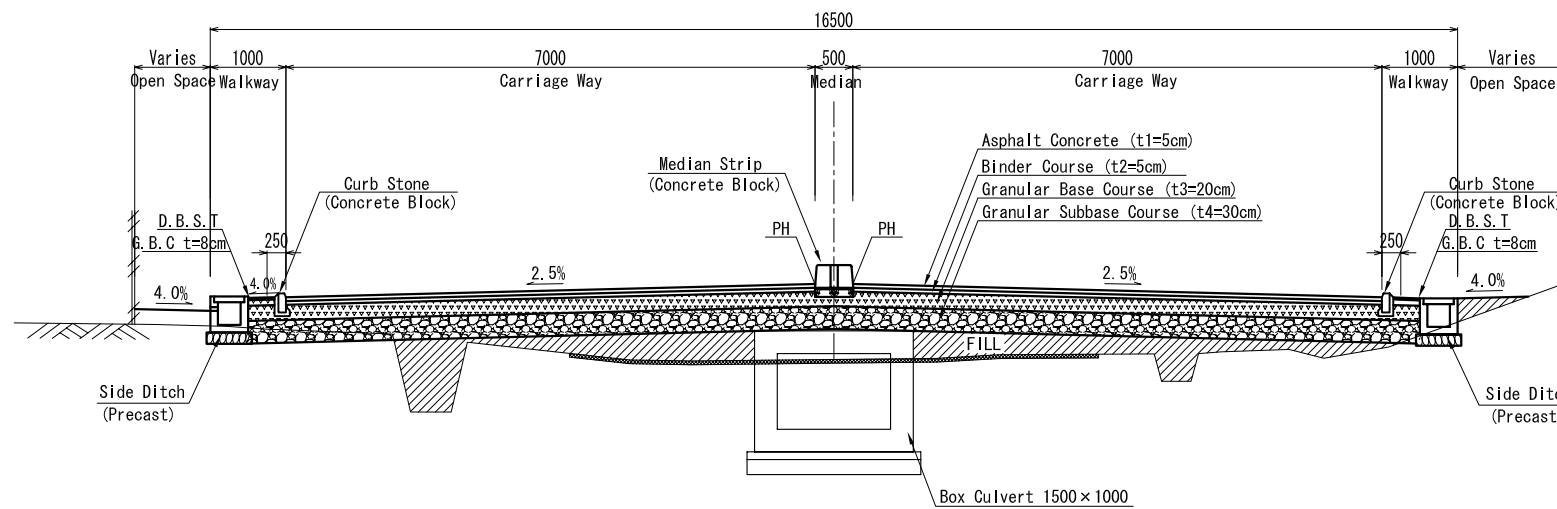
1. PROJECT LAYOUT	(ロケーションマップ) .....	G-1
2. TYPICAL CROSS SECTION	(標準断面) .....	G-2~G-7
3. PLAN AND PROFILE OF ROAD	(平面及び縦断計画) .....	PC-1~PC-7
4. CROSS SECTION OF ROAD	(横断図) .....	CS-1~CS-22
5. PLAN OF INTERSECTION	(交差点) .....	JC-1~JC-6
6. PLAN OF DRAINAGE SYSTEM	(排水系統図) .....	DR-1~DR-3
7. DRAINAGE PLAN	(排水計画平面図) .....	DR-4~DR-11
8. DETAILS OF BUSBAY AND PARKING	(バス停及び駐車場) .....	M-1
9. DETAILS OF INTERSECTION	(交差道路) .....	M-2~M-3
10. DETAILS OF HOUSE ACCESS	(家屋への出入り口) .....	M-4
11. DETAILS OF CURB STONE AND BULOCK	(縁石及びブロック) .....	M-5
12. DETAILS OF WALLS AND SLOPE PROTECTION	(石積み及び石張工) .....	M-6
13. DETAILS OF HUMP	(ハンプ) .....	M-7
14. STANDARD PAVEMENT AND PEDESTRIAN MARKINGS	(路面表示) .....	M-8
15. ROAD SIGNS	(標識) .....	M-9
16. BOX CULVERT	(BOX カルバート) .....	M-10
17. DRAINAGE FACILITIES	(排水構造物) .....	M-11~M-13
18. DETAIL OF TRAFFIC POSTE FOUNDATION	(信号基礎) .....	M-14
19. ROAD LIGHTING FACILITIES	(照明) .....	M-15~M-18

# BUJUMBURA

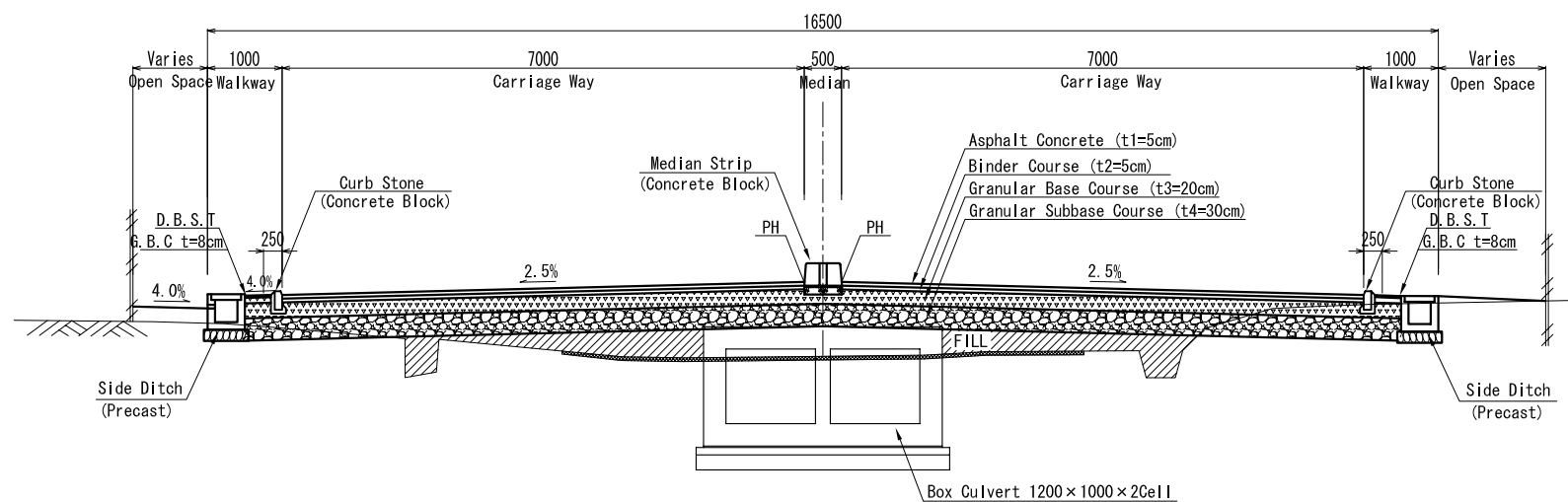


L'OFFICE DES ROUTES THE REPUBLIC OF BURUNDI	THE BASIC DESIGN STUDY ON THE GRANT AID FOR REHABILITATION OF ROADS AND INFRASTRUCTURE FOR BUJUMBURA CITY IN THE REPUBLIC OF BURUNDI	JAPAN INTERNATIONAL COOPERATION AGENCY CTI ENGINEERING INTERNATIONAL CO., LTD.	TITLE :  LOCATION MAP	SCALE	Drawing No.  G-1
--	---	---	-----------------------------	-------	------------------------





TYPE-1 (Av. du Lac)  
0+000 to 0+550



TYPE-2 (Av. du Lac)  
0+550 to 0+800

NOTES:

1. ALL DIMENSIONS ARE IN MILLIMETERS UNLESS OTHERWISE INDICATED.
2. THE EXISTING ASPHALT SHALL BE REMOVED COMPLETELY.
3. AT SECTIONS OTHER THAN THE EXISTING ROAD, 20 CENTIMETERS IN DEPTH OF TOP SOIL SHALL BE EXCAVATED BEFORE FILL WORKS.
4. CEMENT MORTAR FOR MASONRY WALLS AND DITCHES SHALL BE ONE PART PORTLAND CEMENT AND TWO PARTS FINE AGGREGATES.

L'OFFICE DES ROUTES  
THE REPUBLIC OF BURUNDI

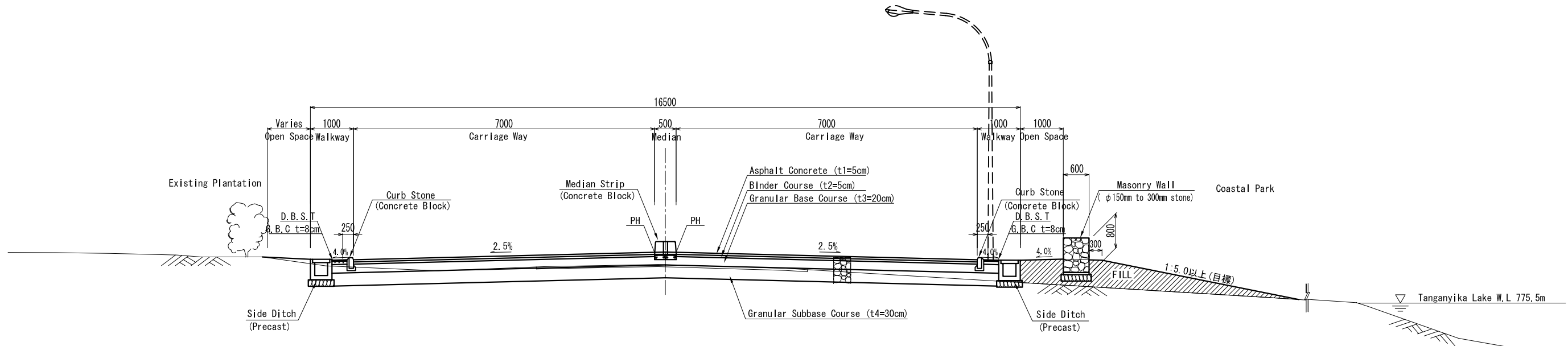
THE BASIC DESIGN STUDY  
ON THE GRANT AID FOR REHABILITATION OF  
ROADS AND INFRASTRUCTURE FOR BUJUMBURA CITY  
IN THE REPUBLIC OF BURUNDI

JAPAN INTERNATIONAL COOPERATION AGENCY  
CTI ENGINEERING INTERNATIONAL CO., LTD.

TITLE :  
TYPICAL CROSS SECTION  
ROUTE-1 (1/4)

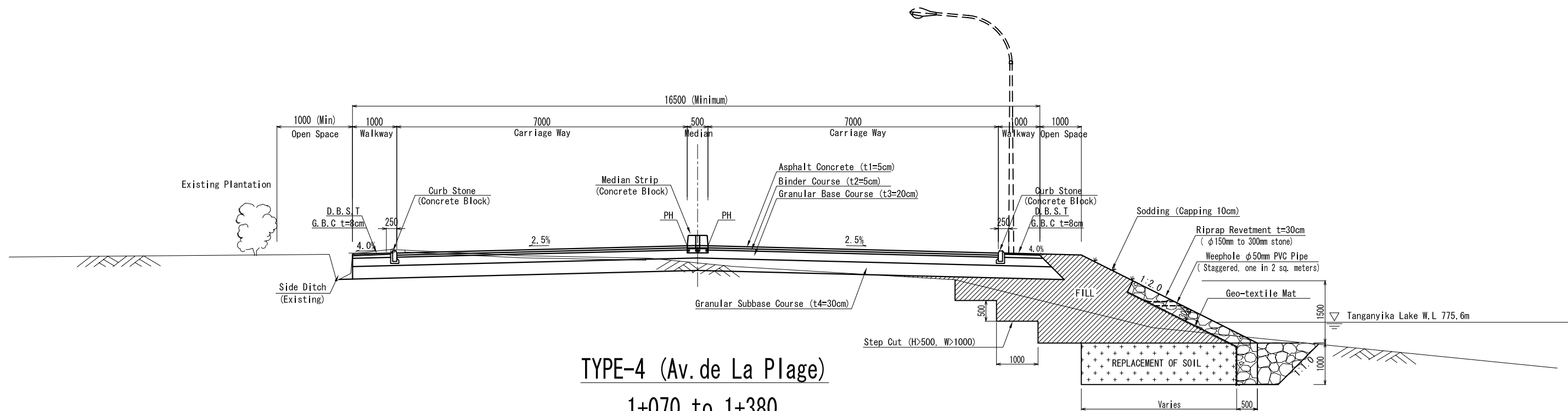
SCALE  
S=1:50

Drawing No.  
G-02



**TYPE-3 (Av. de La Plage)**

**0+800 to 1+070**



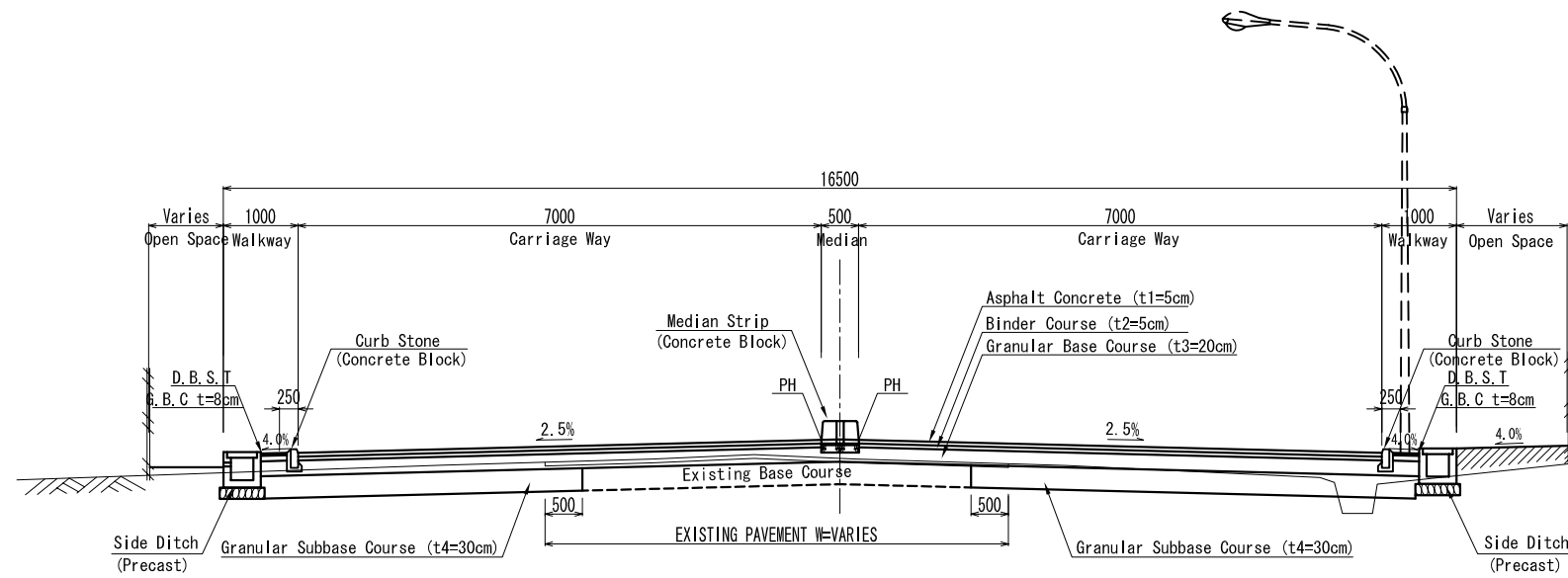
**TYPE-4 (Av. de La Plage)**

**1+070 to 1+380**

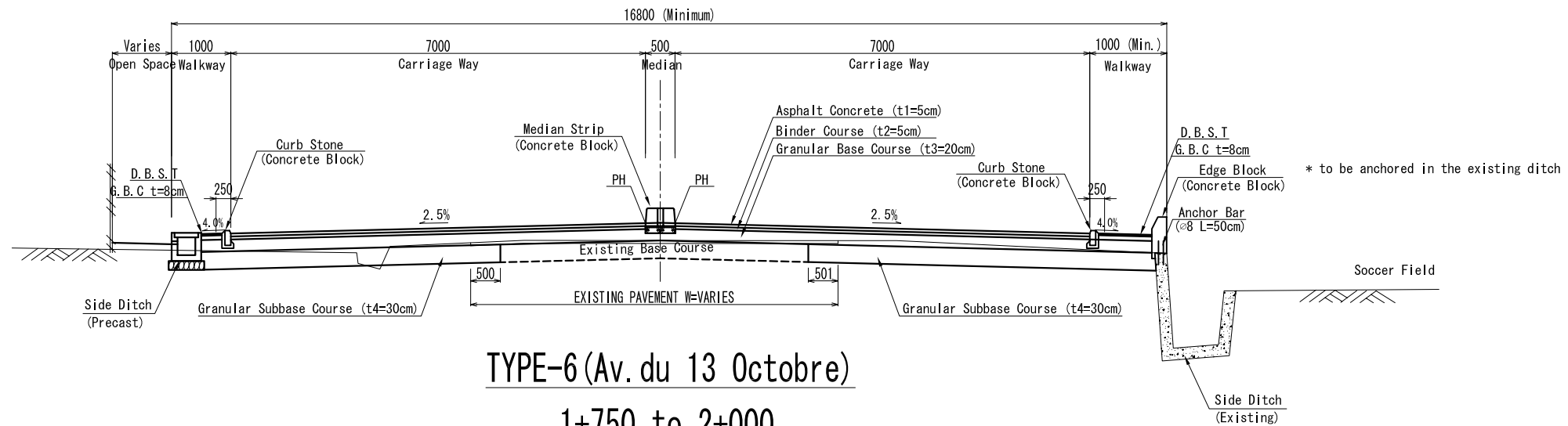
NOTES:

1. ALL DIMENSIONS ARE IN MILLIMETERS UNLESS OTHERWISE INDICATED.
2. THE EXISTING ASPHALT SHALL BE REMOVED COMPLETELY.
3. AT SECTIONS OTHER THAN THE EXISTING ROAD, 20 CENTIMETERS IN DEPTH OF TOP SOIL SHALL BE EXCAVATED BEFORE FILL WORKS.
4. CEMENT MORTAR FOR MASONRY WALLS AND DITCHES SHALL BE ONE PART PORTLAND CEMENT AND TWO PARTS FINE AGGREGATES.

L'OFFICE DES ROUTES THE REPUBLIC OF BURUNDI	THE BASIC DESIGN STUDY ON THE GRANT AID FOR REHABILITATION OF ROADS AND INFRASTRUCTURE FOR BUJUMBURA CITY IN THE REPUBLIC OF BURUNDI	JAPAN INTERNATIONAL COOPERATION AGENCY CTI ENGINEERING INTERNATIONAL CO., LTD.	TITLE : TYPICAL CROSS SECTION ROUTE-1 (2/4)	SCALE S=1:50	Drawing No. G-03
--	---	---	---	-----------------	---------------------



**TYPE-5 (Av. de La Plage)**  
**1+380 to 1+750**

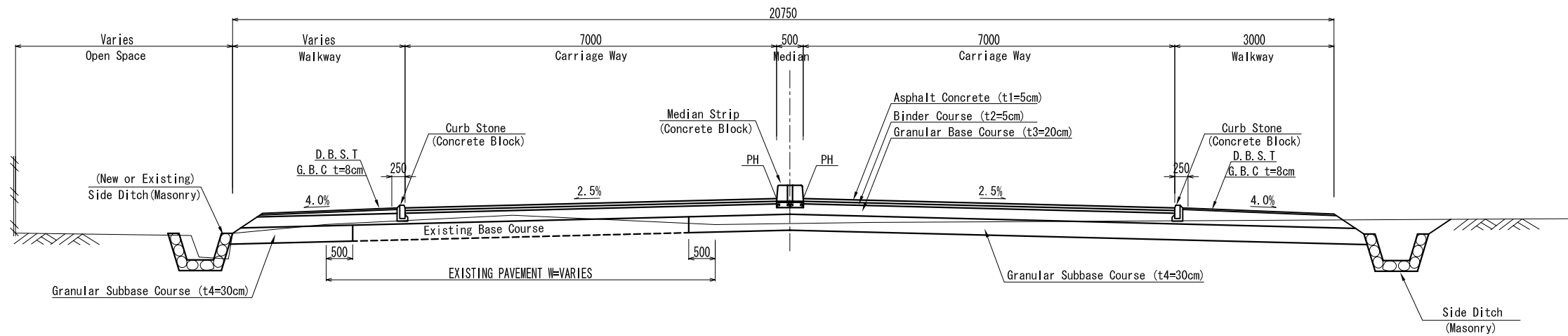


**TYPE-6 (Av. du 13 Octobre)**  
**1+750 to 2+000**

**NOTES:**

1. ALL DIMENSIONS ARE IN MILLIMETERS UNLESS OTHERWISE INDICATED.
2. THE EXISTING ASPHALT SHALL BE REMOVED COMPLETELY.
3. AT SECTIONS OTHER THAN THE EXISTING ROAD, 20 CENTIMETERS IN DEPTH OF TOP SOIL SHALL BE EXCAVATED BEFORE FILL WORKS.
4. CEMENT MORTAR FOR MASONRY WALLS AND DITCHES SHALL BE ONE PART PORTLAND CEMENT AND TWO PARTS FINE AGGREGATES.

L'OFFICE DES ROUTES THE REPUBLIC OF BURUNDI	THE BASIC DESIGN STUDY ON THE GRANT AID FOR REHABILITATION OF ROADS AND INFRASTRUCTURE FOR BUJUMBURA CITY IN THE REPUBLIC OF BURUNDI	JAPAN INTERNATIONAL COOPERATION AGENCY CTI ENGINEERING INTERNATIONAL CO., LTD.	TITLE : TYPICAL CROSS SECTION ROUTE-1 (3/4)	SCALE	Drawing No.
				S=1:50	G-04



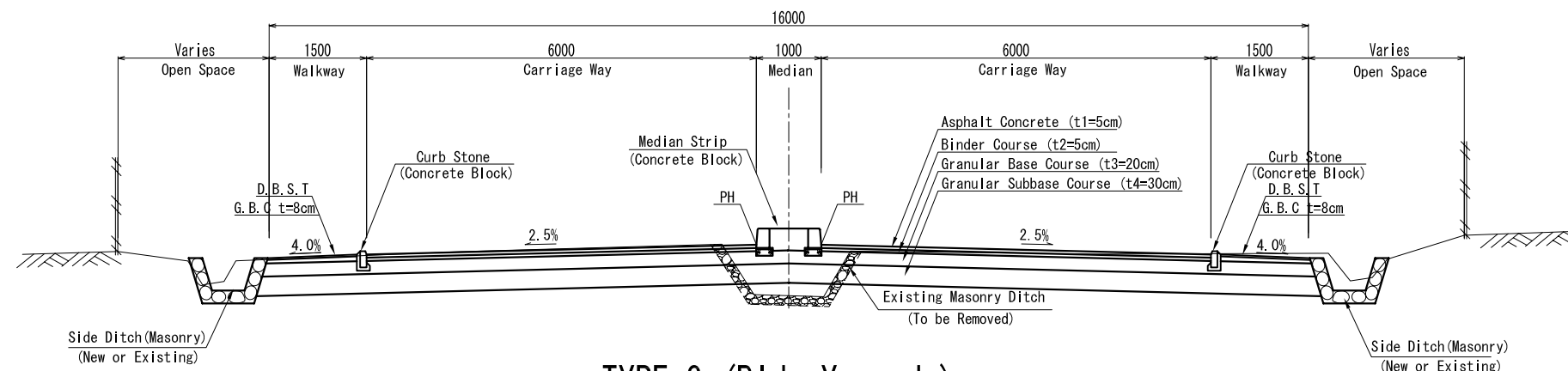
**TYPE-7 (Av. du Large)**  
**2+000 to 2+981.40 (END POINT)**

NOTES:

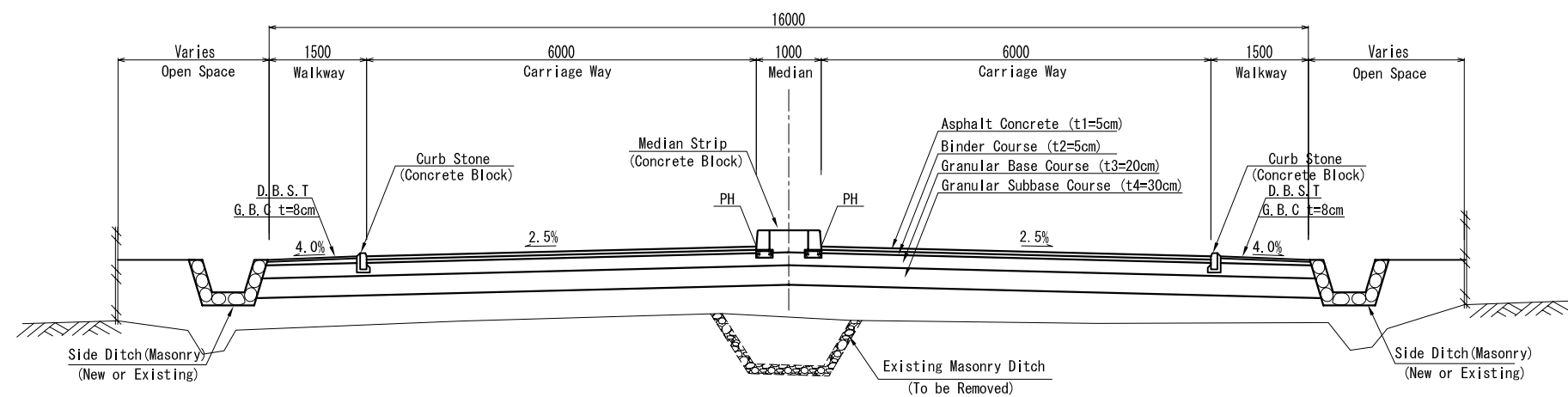
1. ALL DIMENSIONS ARE IN MILLIMETERS UNLESS OTHERWISE INDICATED.
2. THE EXISTING ASPHALT SHALL BE REMOVED COMPLETELY.
3. AT SECTIONS OTHER THAN THE EXISTING ROAD, 20 CENTIMETERS IN DEPTH OF TOP SOIL SHALL BE EXCAVATED BEFORE FILL WORKS.
4. CEMENT MORTAR FOR MASONRY WALLS AND DITCHES SHALL BE ONE PART PORTLAND CEMENT AND TWO PARTS FINE AGGREGATES.

L'OFFICE DES ROUTES THE REPUBLIC OF BURUNDI	THE BASIC DESIGN STUDY ON THE GRANT AID FOR REHABILITATION OF ROADS AND INFRASTRUCTURE FOR BUJUMBURA CITY IN THE REPUBLIC OF BURUNDI	JAPAN INTERNATIONAL COOPERATION AGENCY CTI ENGINEERING INTERNATIONAL CO., LTD.	TITLE : TYPICAL CROSS SECTION ROUTE-1 (4/4)	SCALE	Drawing No.
				S=1:50	G-05





**TYPE-8 (Bld. Yaranda)**  
0+000 to 0+030



**TYPE-9 (Bld. Yaranda)**  
0+030 to 0+100

NOTES:

1. ALL DIMENSIONS ARE IN MILLIMETERS UNLESS OTHERWISE INDICATED.
2. THE EXISTING ASPHALT SHALL BE REMOVED COMPLETELY.
3. AT SECTIONS OTHERS THAN THE EXISTING ROAD, 20 CENTIMETERS IN DEPTH OF TOP SOIL SHALL BE EXCAVATED BEFORE FILL WORKS.
4. CEMENT MORTAR FOR MASONRY WALLS AND DITCHES SHALL BE ONE PART PORTLAND CEMENT AND TWO PARTS FINE AGGREGATES.

L'OFFICE DES ROUTES  
THE REPUBLIC OF BURUNDI

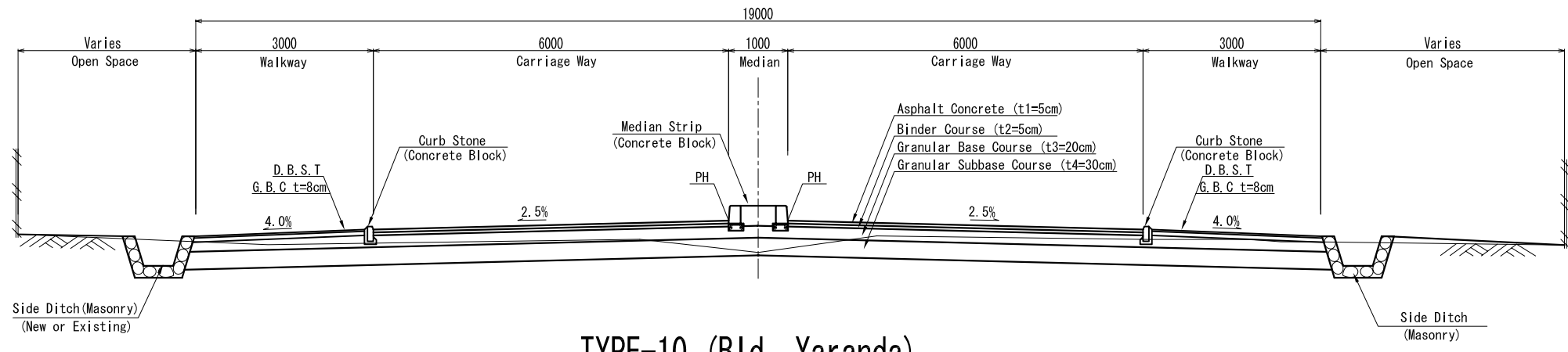
THE BASIC DESIGN STUDY  
ON THE GRANT AID FOR REHABILITATION OF  
ROADS AND INFRASTRUCTURE FOR BUJUMBURA CITY  
IN THE REPUBLIC OF BURUNDI

JAPAN INTERNATIONAL COOPERATION AGENCY  
CTI ENGINEERING INTERNATIONAL CO., LTD.

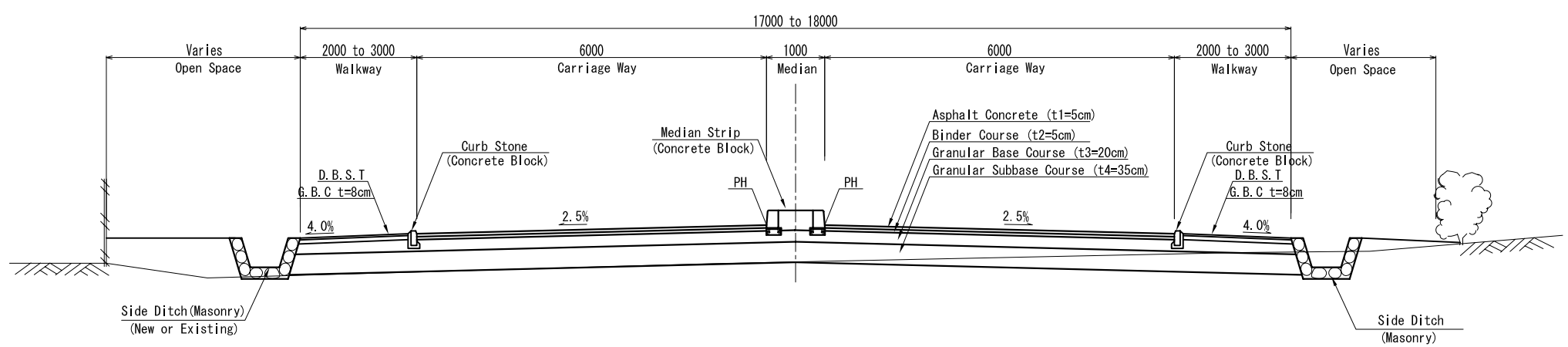
TITLE :  
TYPICAL CROSS SECTION  
ROUTE-2 (1/2)

SCALE  
S=1:50

Drawing No.  
G-06



TYPE-10 (Bld. Yaranda)  
0+100 to 0+820



TYPE-11 (Bld. Yaranda)  
0+820 to 1+392.80 (END POINT)

- NOTES:
1. ALL DIMENSIONS ARE IN MILLIMETERS UNLESS OTHERWISE INDICATED.
  2. THE EXISTING ASPHALT SHALL BE REMOVED COMPLETELY.
  3. AT SECTIONS OTHER THAN THE EXISTING ROAD, 20 CENTIMETERS IN DEPTH OF TOP SOIL SHALL BE EXCAVATED BEFORE FILL WORKS.
  4. CEMENT MORTAR FOR MASONRY WALLS AND DITCHES SHALL BE ONE PART PORTLAND CEMENT AND TWO PARTS FINE AGGREGATES.

L'OFFICE DES ROUTES THE REPUBLIC OF BURUNDI	THE BASIC DESIGN STUDY ON THE GRANT AID FOR REHABILITATION OF ROADS AND INFRASTRUCTURE FOR BUJUMBURA CITY IN THE REPUBLIC OF BURUNDI	JAPAN INTERNATIONAL COOPERATION AGENCY CTI ENGINEERING INTERNATIONAL CO., LTD.	TITLE : TYPICAL CROSS SECTION ROUTE-2 (2/2)	SCALE S=1:50	Drawing No. G-07
--	---	---	---	-----------------	---------------------