

## ***Figures***

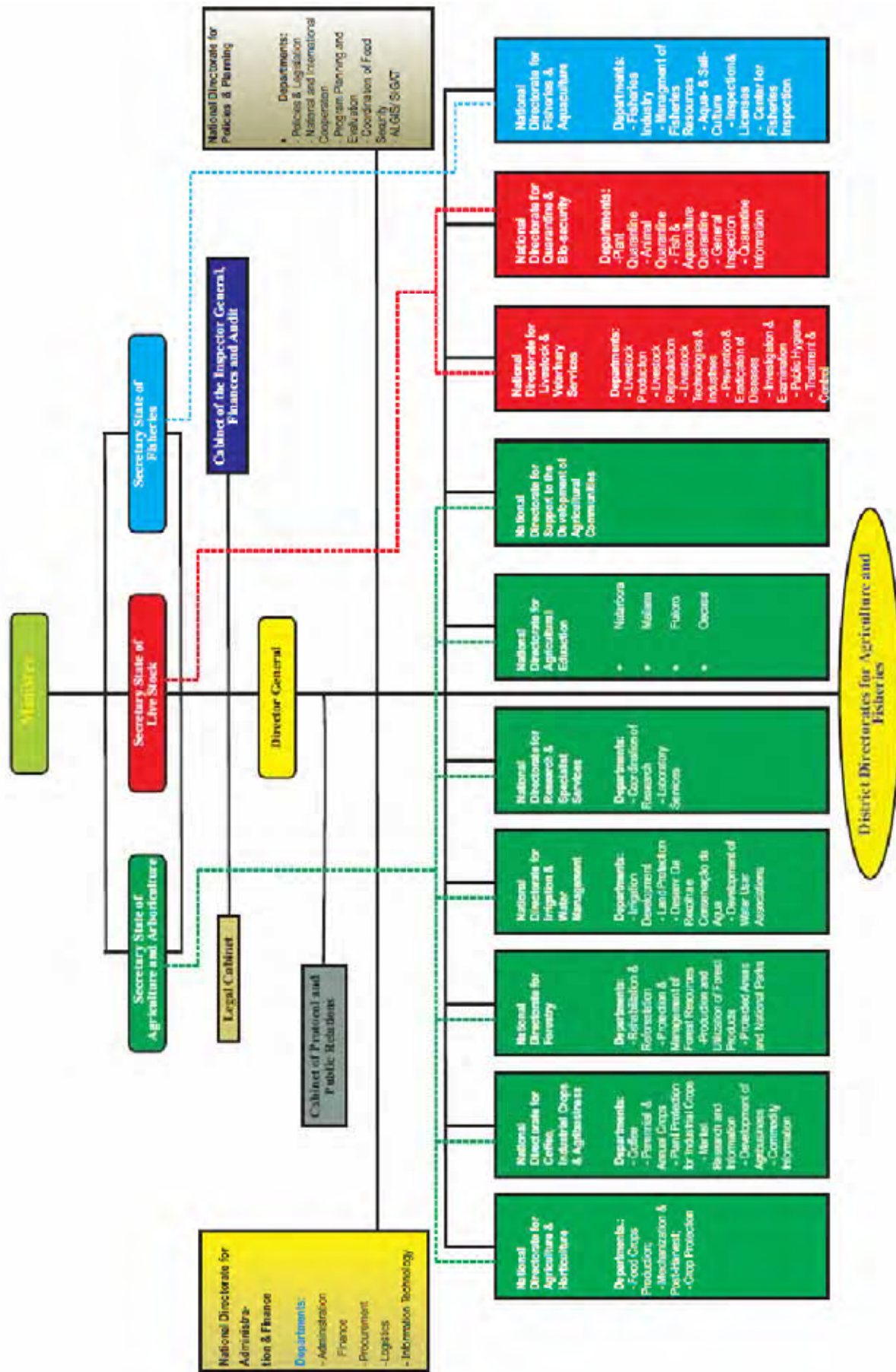


Figure 2.1 Organization Chart of MAF

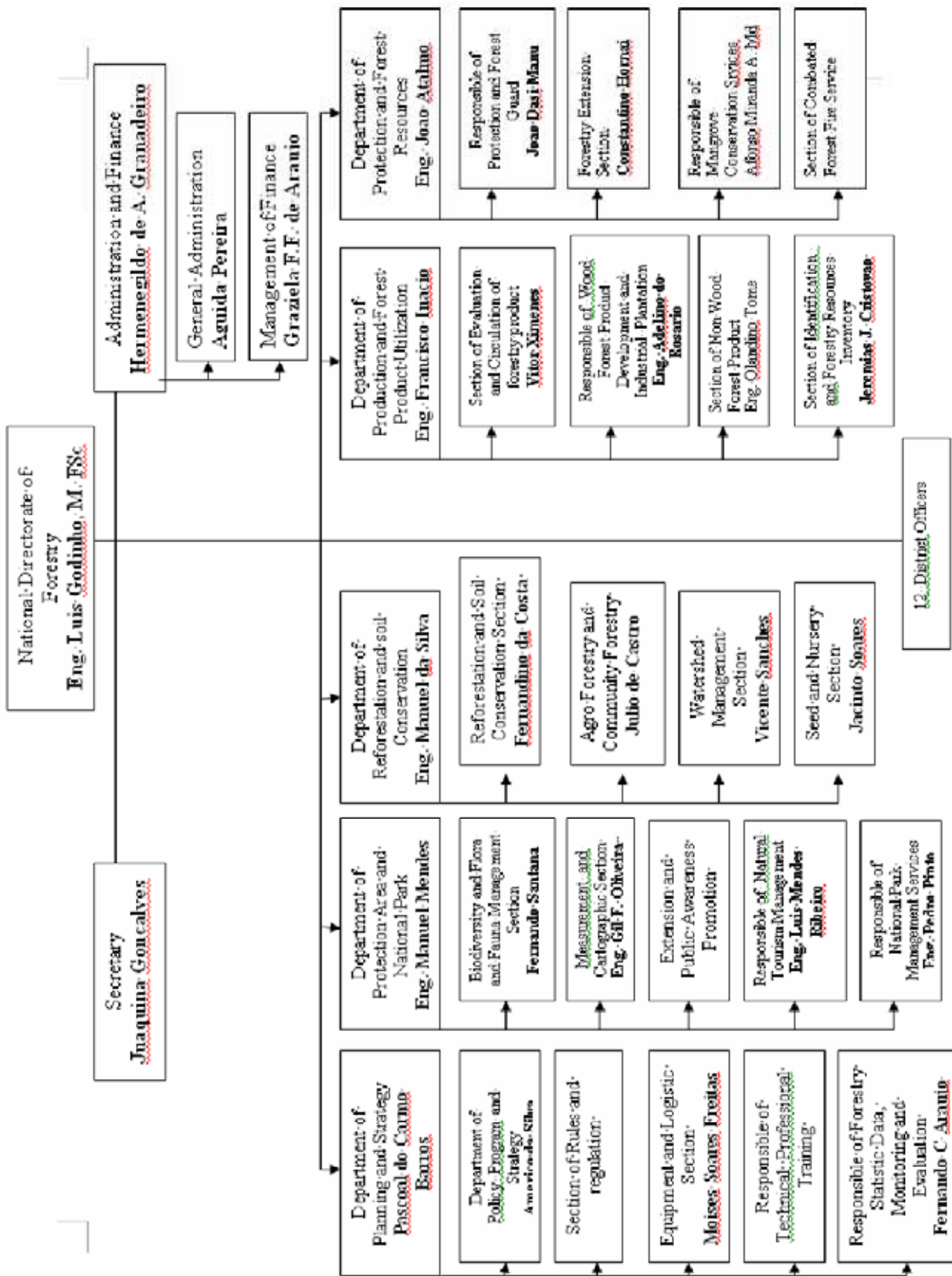


Figure 2.2 Organization Chart of NDF

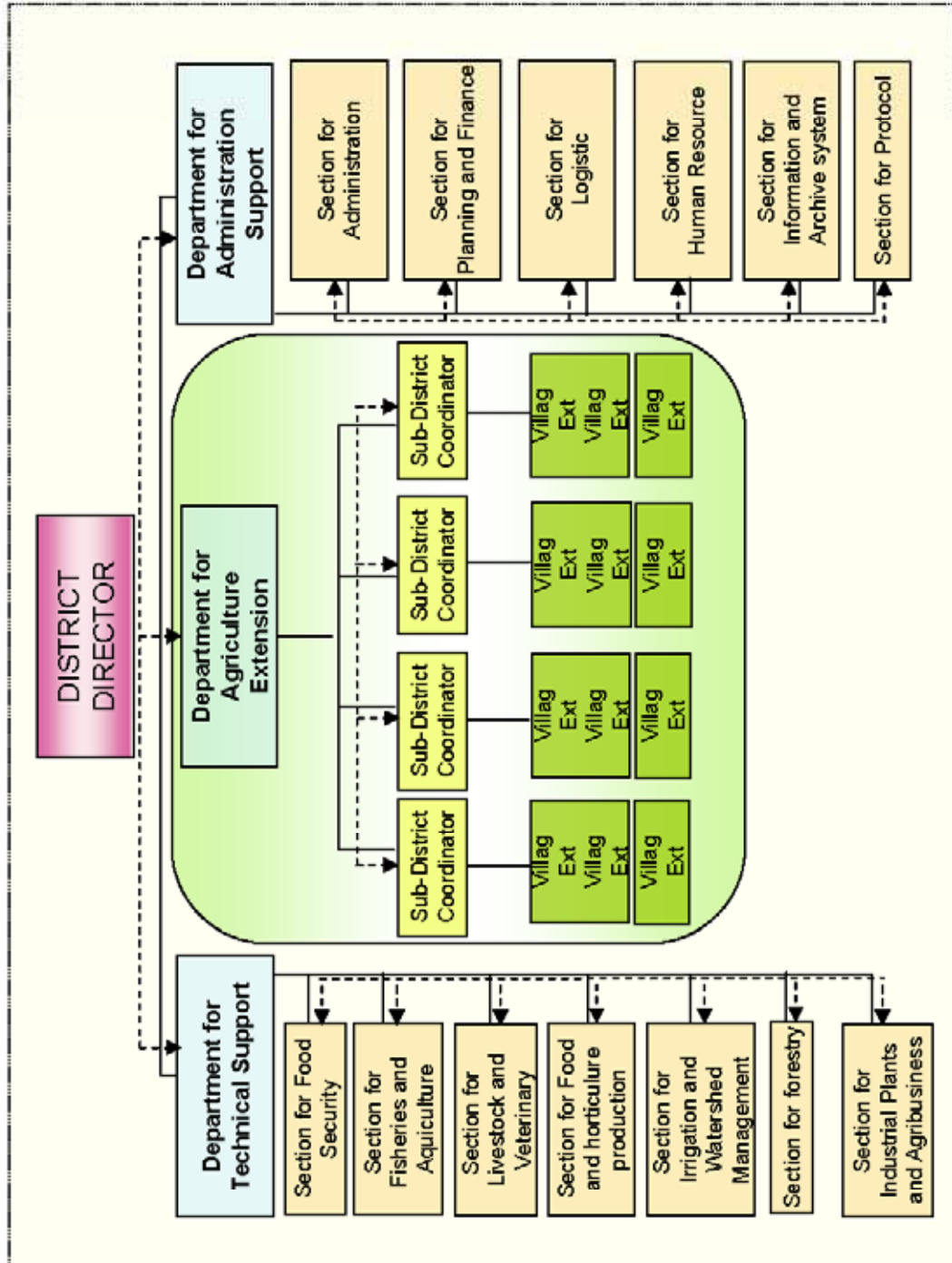


Figure 2.3 Organizational Structure of the MAF District

