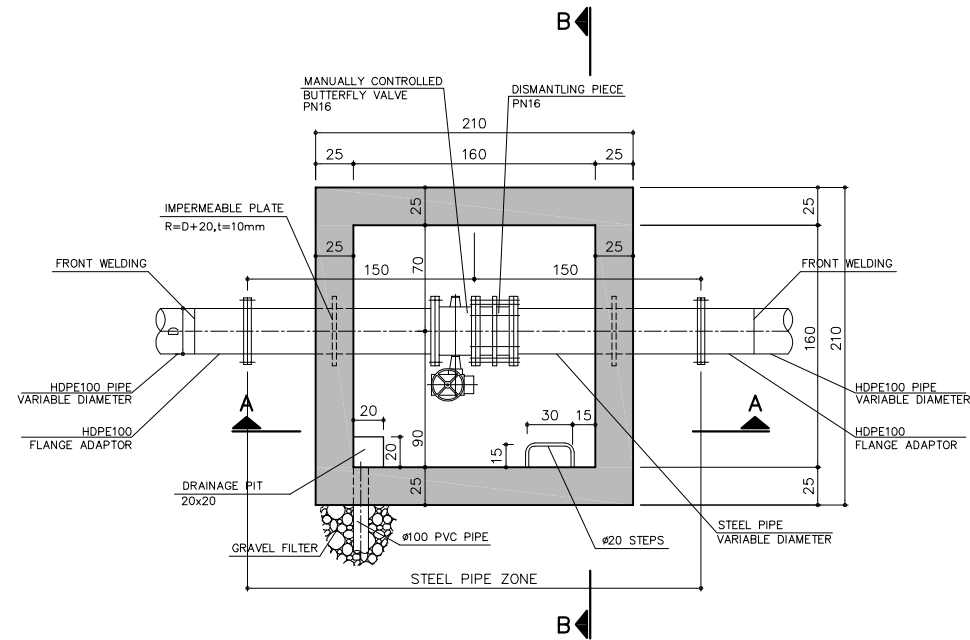
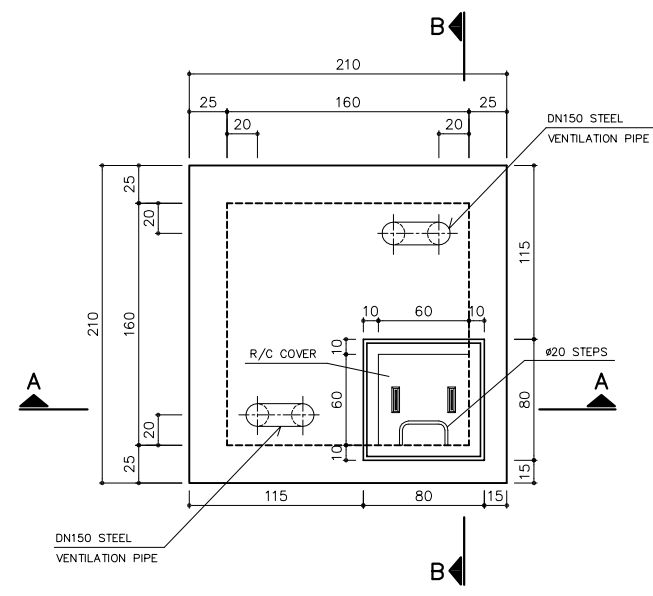


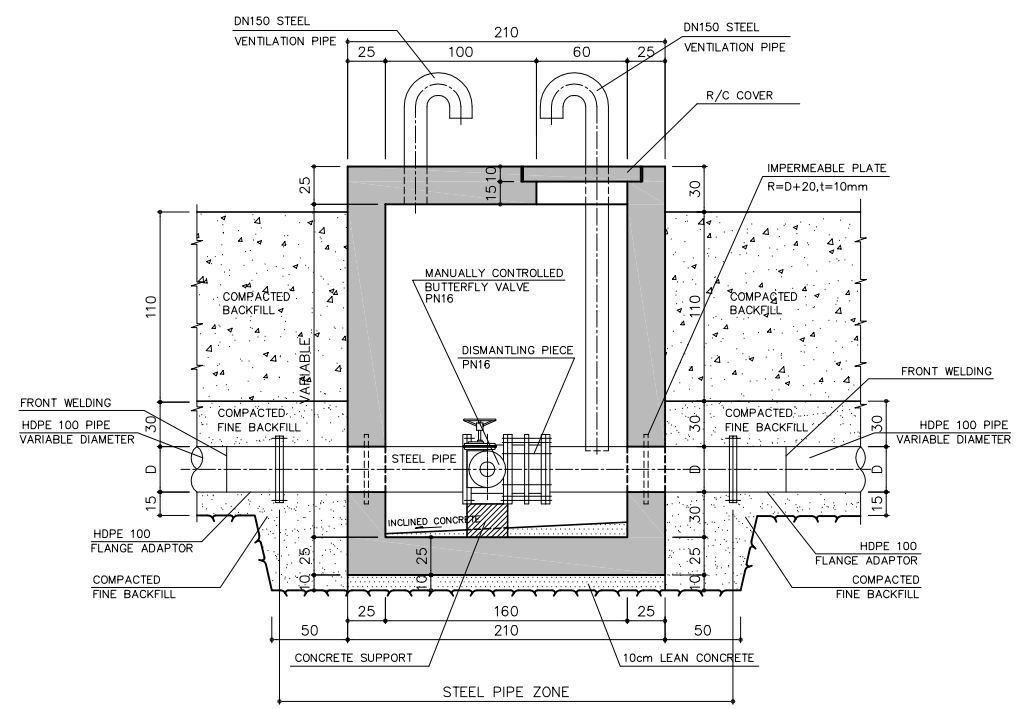
GENERAL



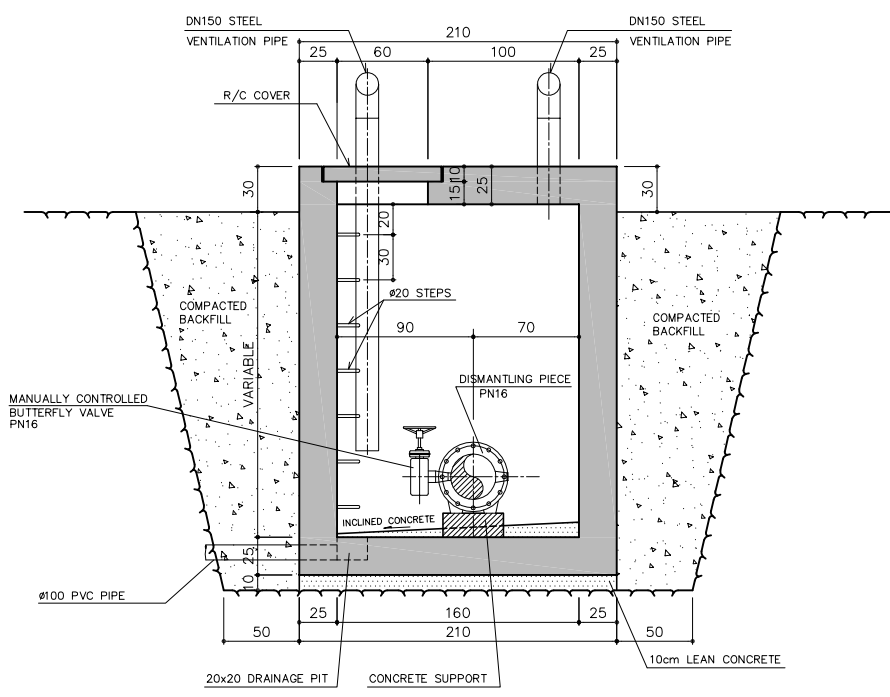
PLAN 1/25



TOP VIEW 1/25



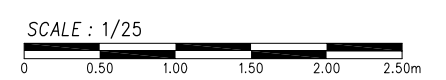
SECTION A-A 1/25



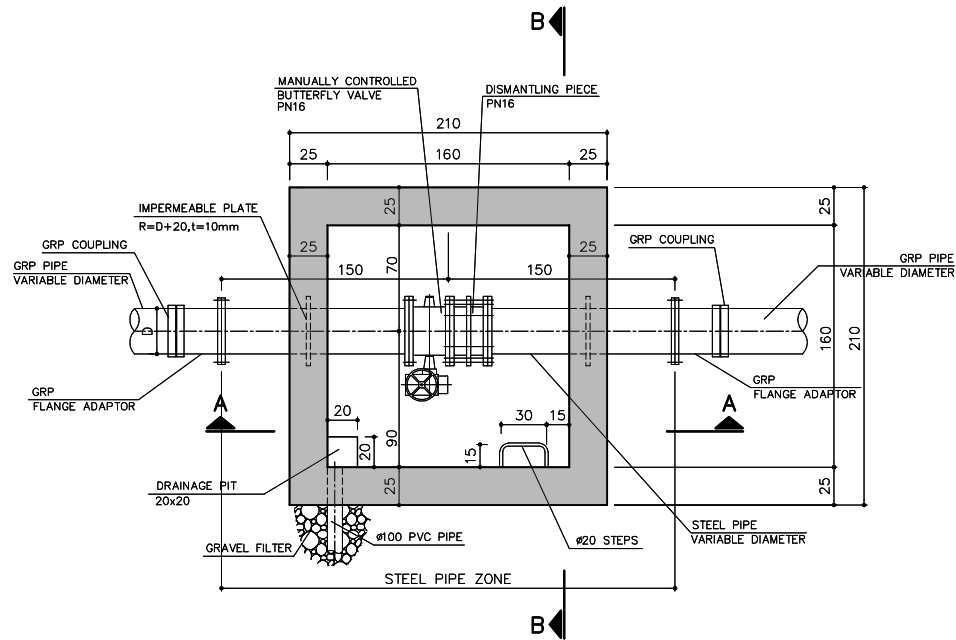
SECTION B-B 1/25

MATERIAL:
CONCRETE: C25
REINFORCEMENT: St III
LEAN CONCRETE: C16

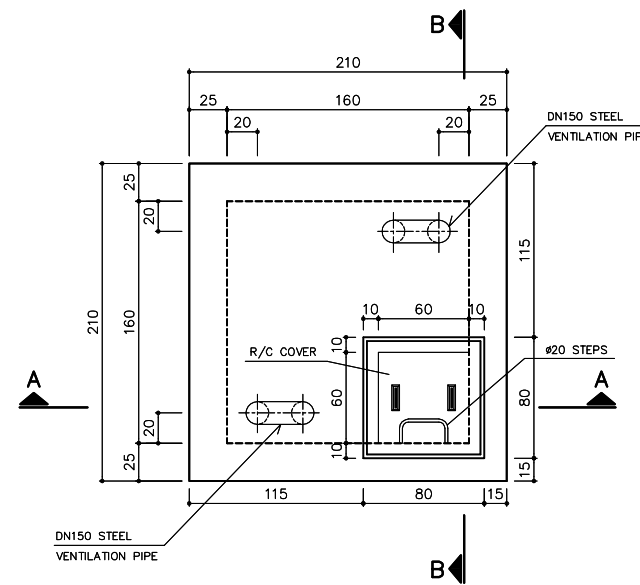
NOTE:
Concrete surfaces touching the ground will be painted with 2 layers of bitumen.



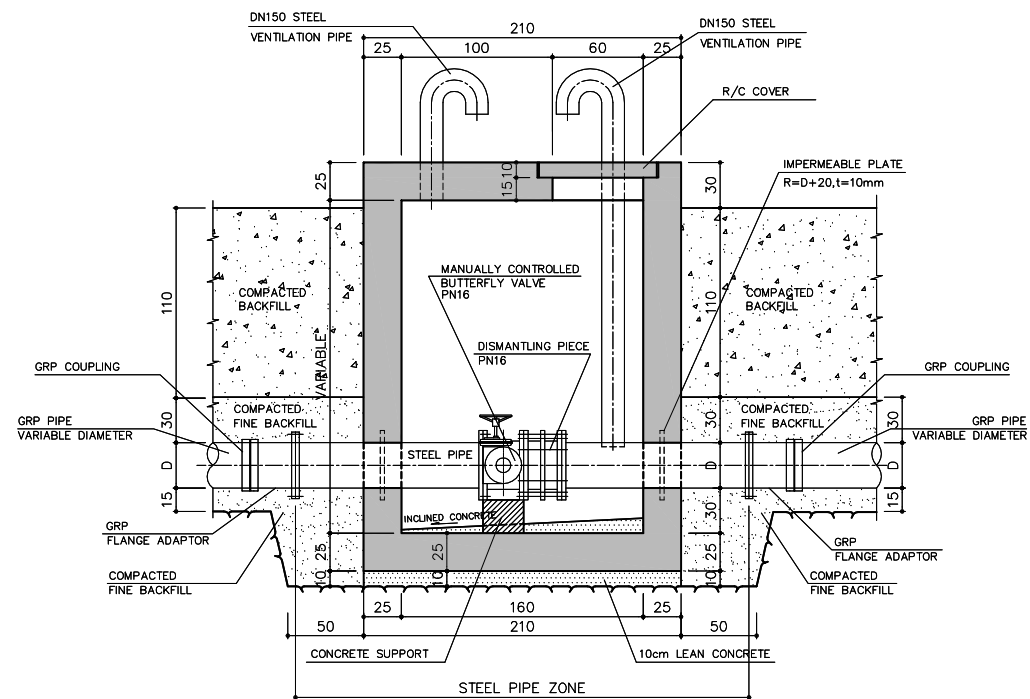
SPECIAL ASSISTANCE FOR PROJECT IMPLEMENTATION (SAPI) FOR THE PROVINCIAL CITIES WATER SUPPLY AND SEWERAGE PROJECT IN THE REPUBLIC OF AZERBAIJAN	AZERSU JOINT STOCK COMPANY, the Republic of Azerbaijan	Site :	Facility :	Title :	Scale of Drawing:	Category - City	Facility Code - Number
	Japan International Cooperation Agency (JICA), Japan	GENERAL	Transmission Line	Line Valve Chamber On PE Pipes	1/25	SU-GEN	09-06(01)
					Original Size of Paper:	Date	Revision Number
					A1	January 2010	Rev.0



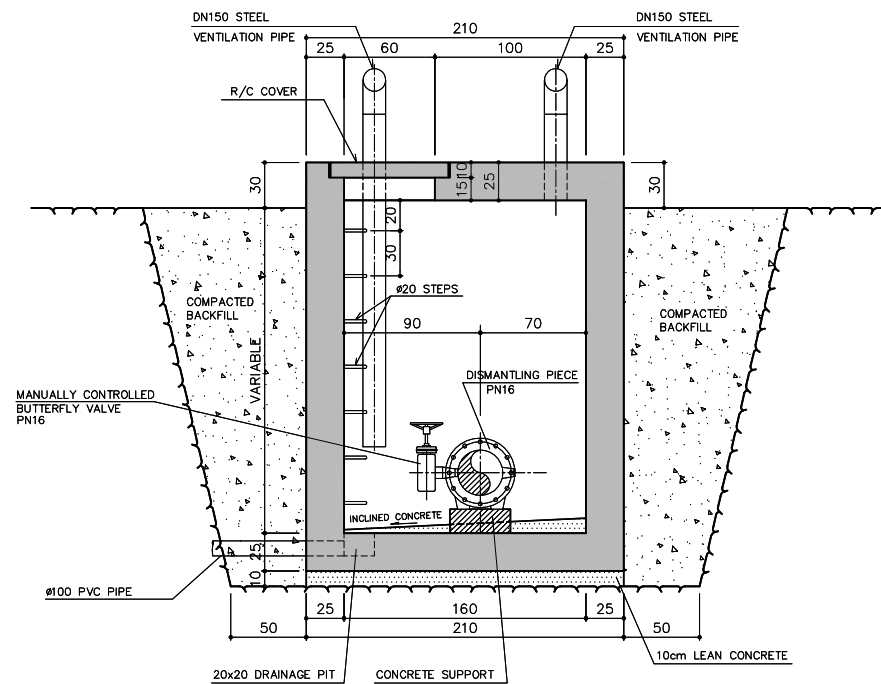
PLAN 1/25



TOP VIEW 1/25



SECTION A-A 1/25



SECTION B-B 1/25

MATERIAL:

CONCRETE: C25
 REINFORCEMENT: St III
 LEAN CONCRETE: C16

NOTE:

Concrete surfaces touching the ground
 will be painted with 2 layers of bitumen.

SCALE : 1/25



SPECIAL ASSISTANCE FOR PROJECT IMPLEMENTATION (SAPI) FOR
 THE PROVINCIAL CITIES WATER SUPPLY AND SEWERAGE PROJECT
 IN THE REPUBLIC OF AZERBAIJAN

AZERSU JOINT STOCK COMPANY,
 the Republic of Azerbaijan
 Japan International Cooperation Agency
 (JICA), Japan

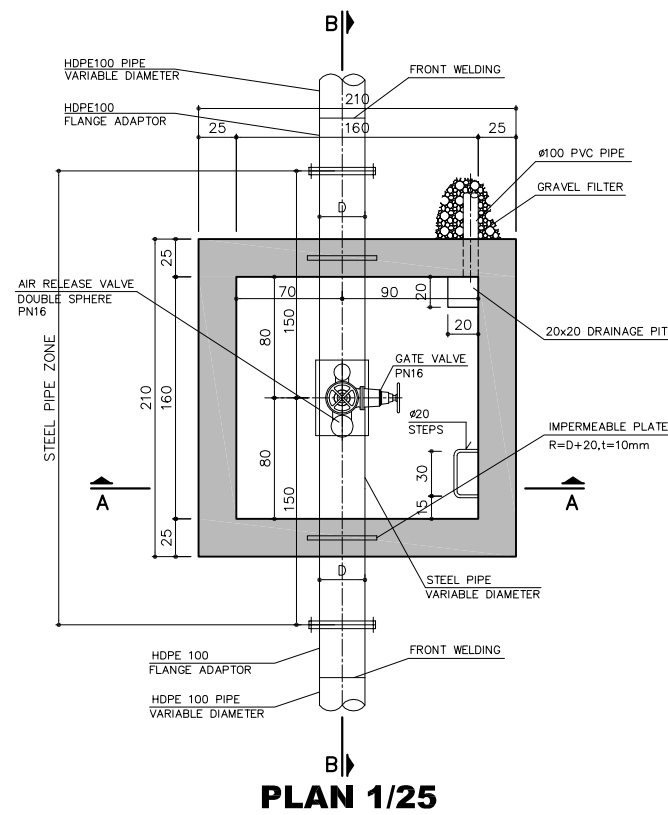
Site :
 GENERAL

Facility :
 Transmission Line

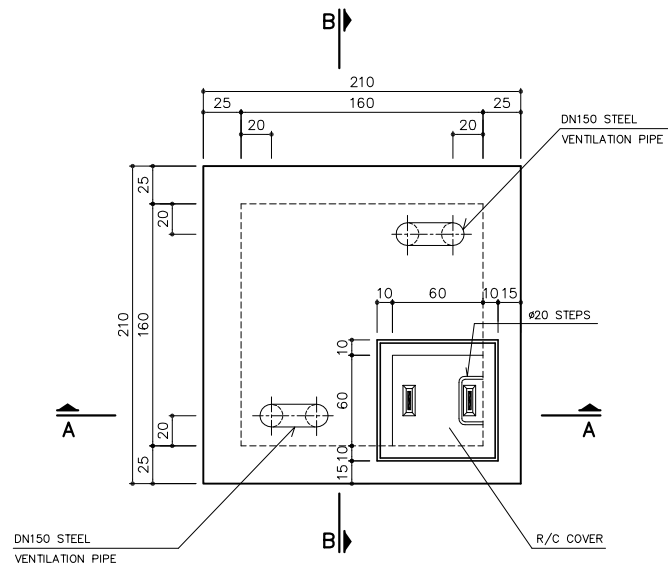
Title :
 Line Valve Chamber On
 GRP Pipes

Scale of
 Drawing: 1/25
 Original Size of
 Paper: A1

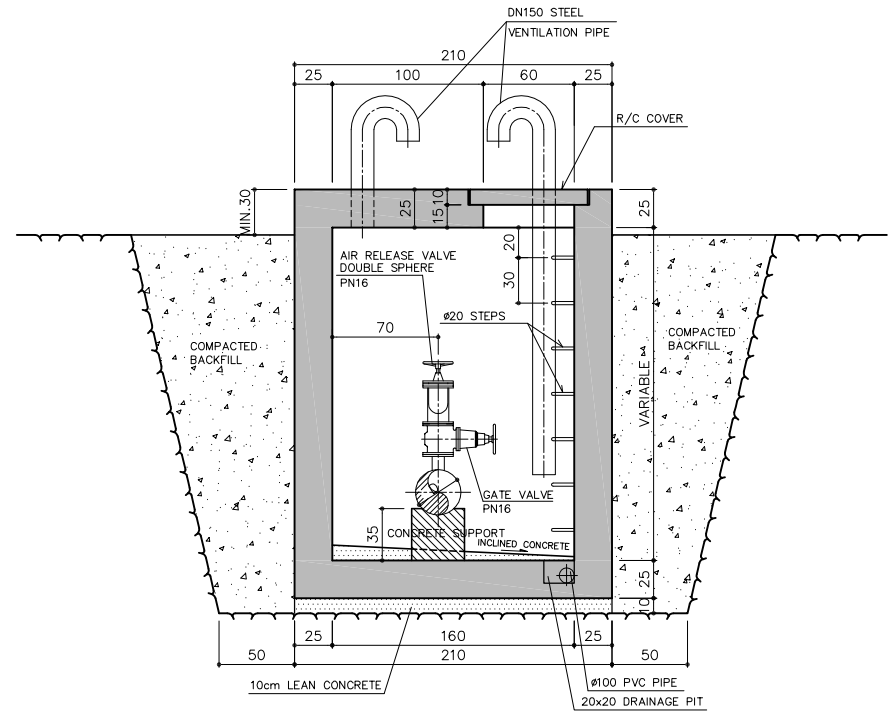
Category - City	Facility Code - Number
SU-GEN	09-06(02)
Date	Revision Number
January 2010	Rev.0



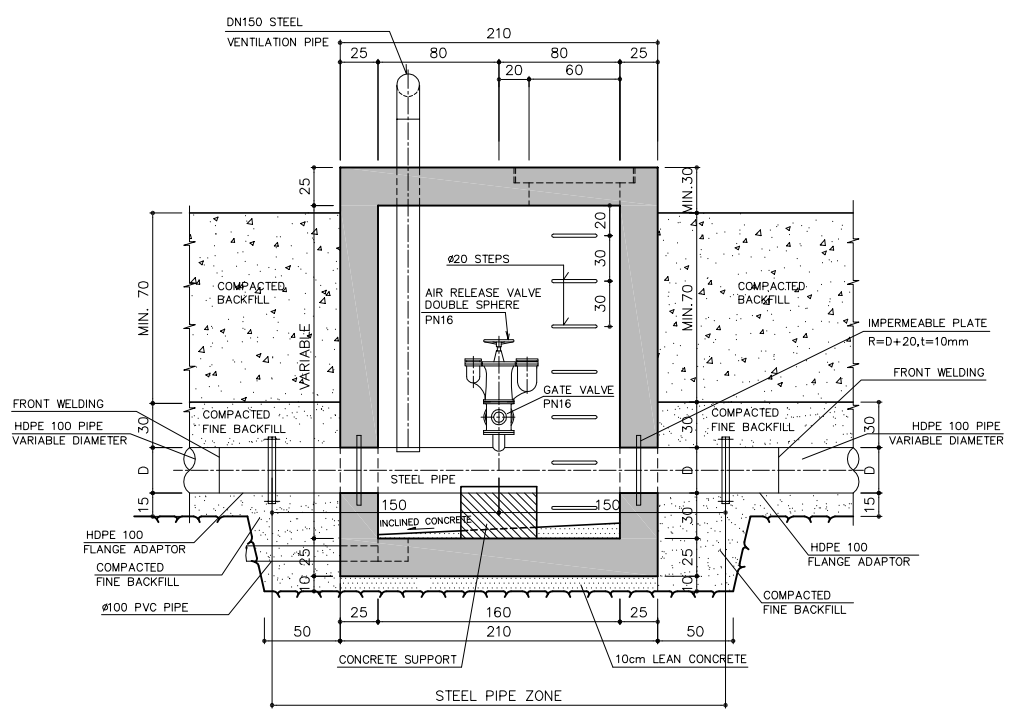
PLAN 1/25



TOP VIEW 1/25



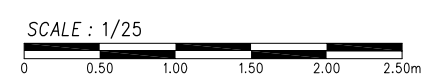
SECTION A-A 1/25



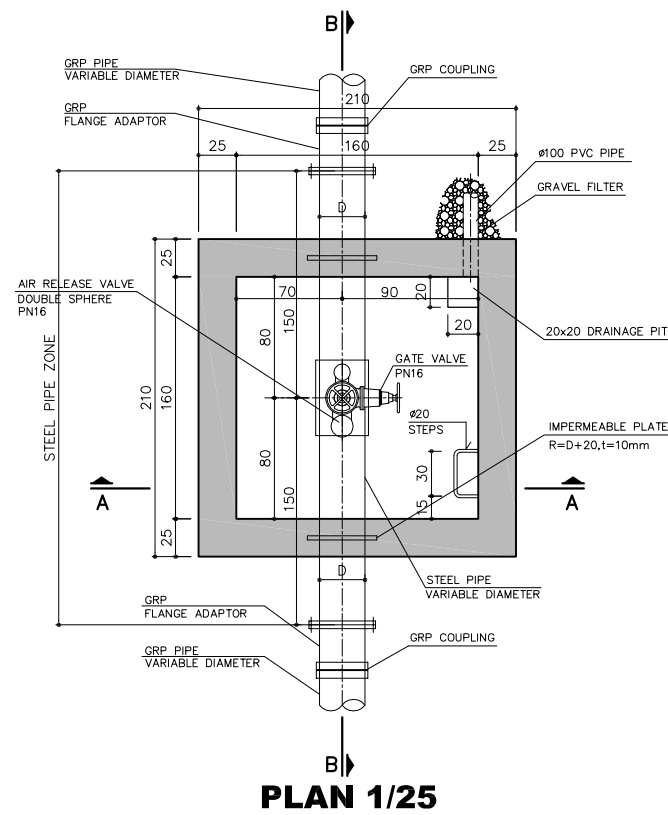
SECTION B-B 1/25

MATERIAL:
 CONCRETE: C25
 REINFORCEMENT: St III
 LEAN CONCRETE: C16

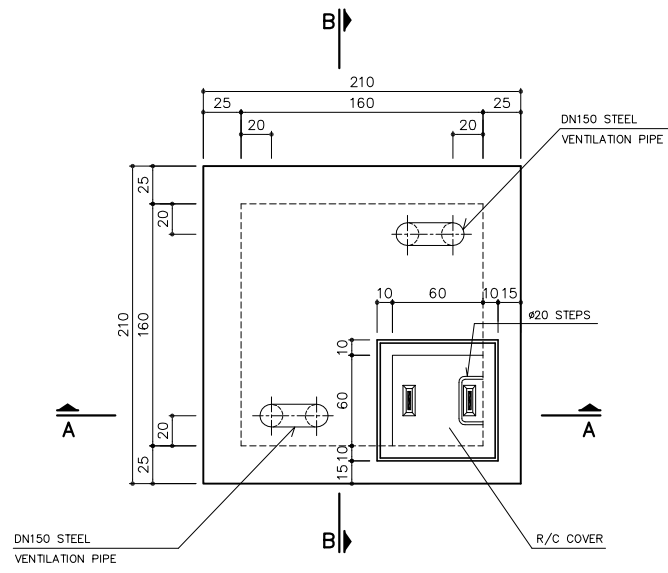
NOTE:
 Concrete surfaces touching the ground
 will be painted with 2 layers of bitumen.



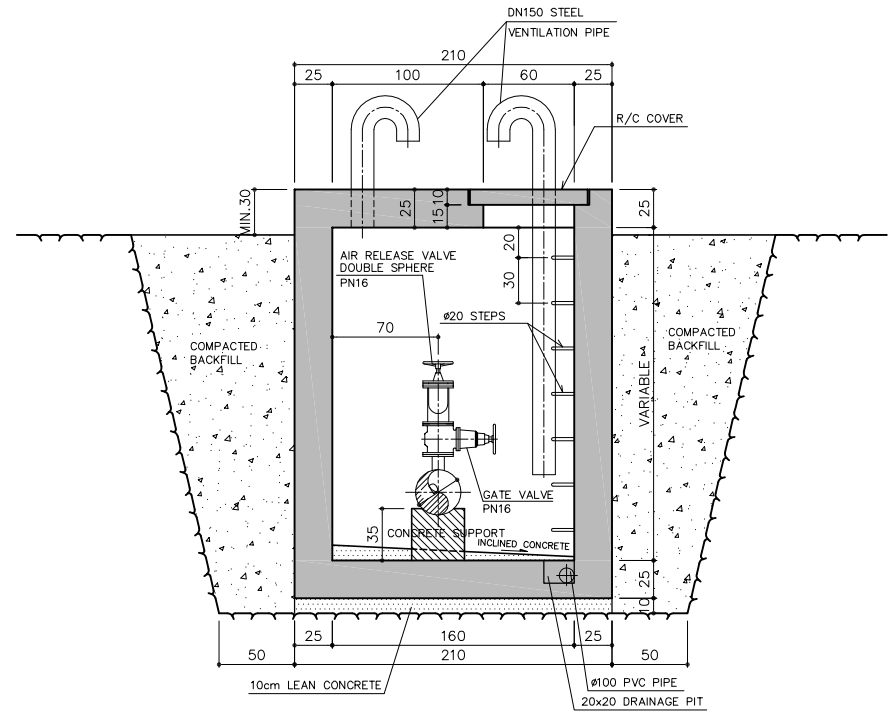
SPECIAL ASSISTANCE FOR PROJECT IMPLEMENTATION (SAPI) FOR THE PROVINCIAL CITIES WATER SUPPLY AND SEWERAGE PROJECT IN THE REPUBLIC OF AZERBAIJAN	AZERSU JOINT STOCK COMPANY, the Republic of Azerbaijan		Site :	Facility :	Title :	Scale of Drawing:	Category - City	Facility Code - Number
	Japan International Cooperation Agency (JICA), Japan		GENERAL	Transmission Line	Air Valve Chamber On PE Pipes	1/25	SU-GEN	09-06(03)
						Original Size of Paper:	Date	Revision Number
						A1	January 2010	Rev.0



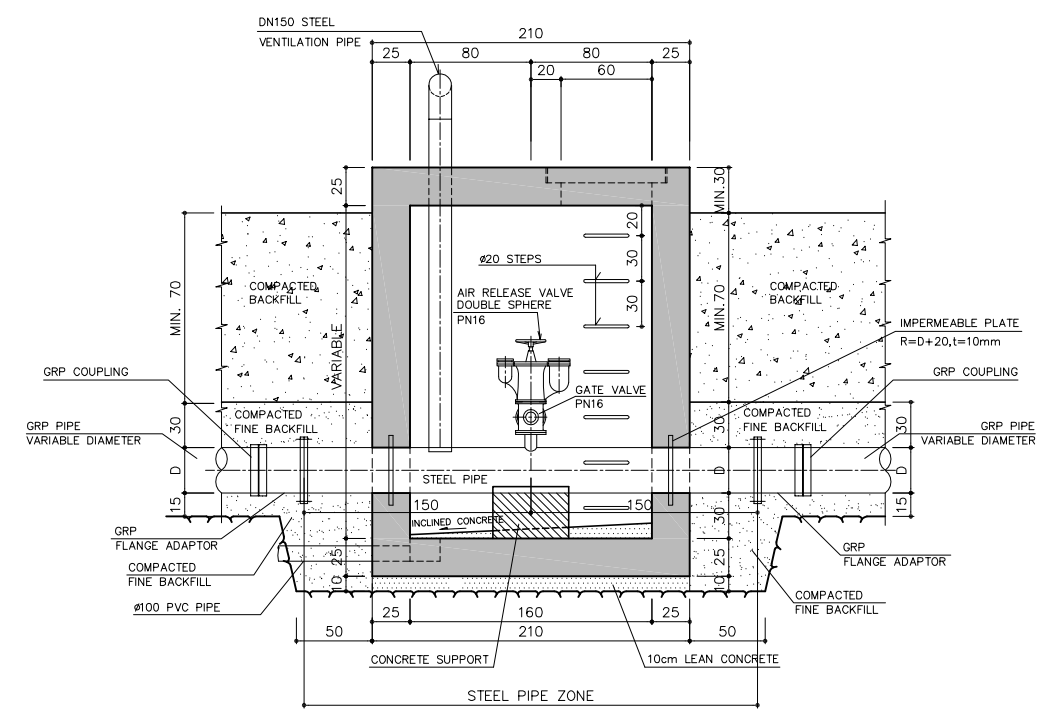
PLAN 1/25



TOP VIEW 1/25



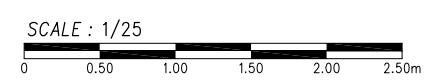
SECTION A-A 1/25



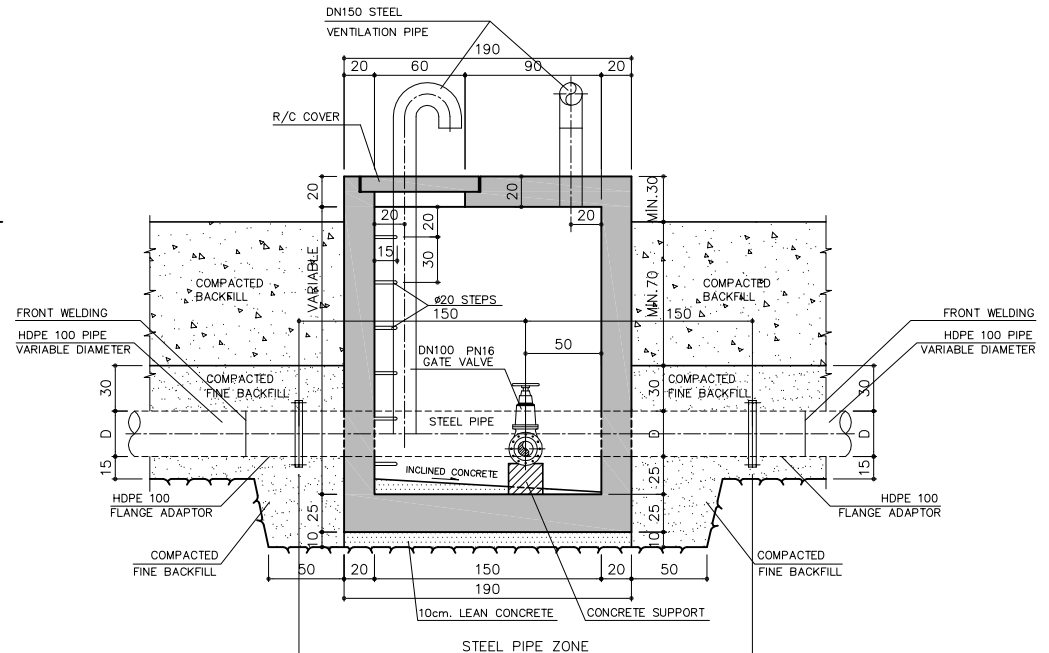
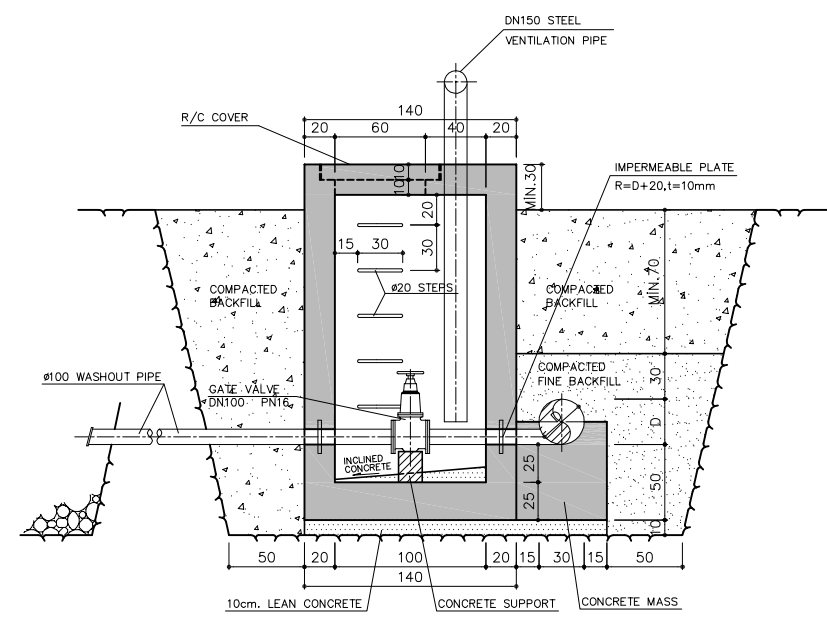
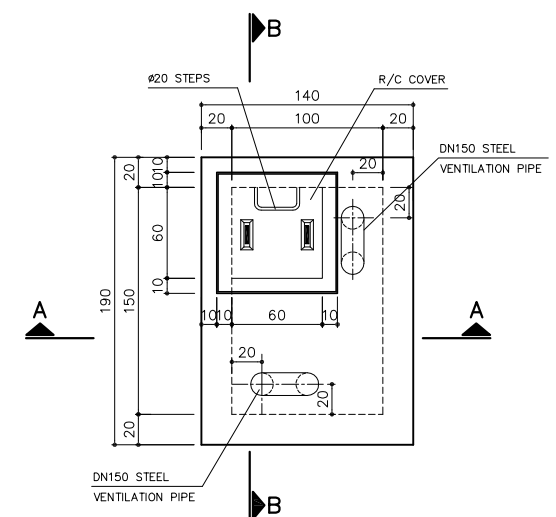
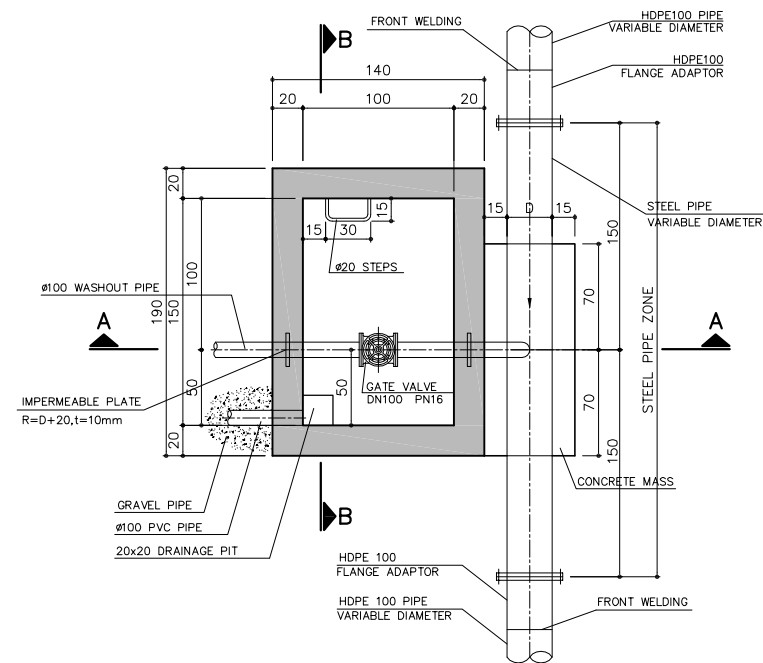
SECTION B-B 1/25

MATERIAL:
 CONCRETE: C25
 REINFORCEMENT: St III
 LEAN CONCRETE: C16

NOTE:
 Concrete surfaces touching the ground
 will be painted with 2 layers of bitumen.

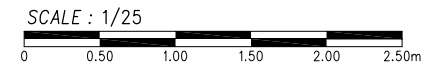


SPECIAL ASSISTANCE FOR PROJECT IMPLEMENTATION (SAPI) FOR THE PROVINCIAL CITIES WATER SUPPLY AND SEWERAGE PROJECT IN THE REPUBLIC OF AZERBAIJAN	AZERSU JOINT STOCK COMPANY, the Republic of Azerbaijan		Site :	Facility :	Title :	Scale of Drawing:	Category - City	Facility Code - Number
	Japan International Cooperation Agency (JICA), Japan		GENERAL	Transmission Line	Air Valve Chamber On GRP Pipes	1/25	SU-GEN	09-06(04)
						Original Size of Paper:	Date	Revision Number
						A1	January 2010	Rev.0

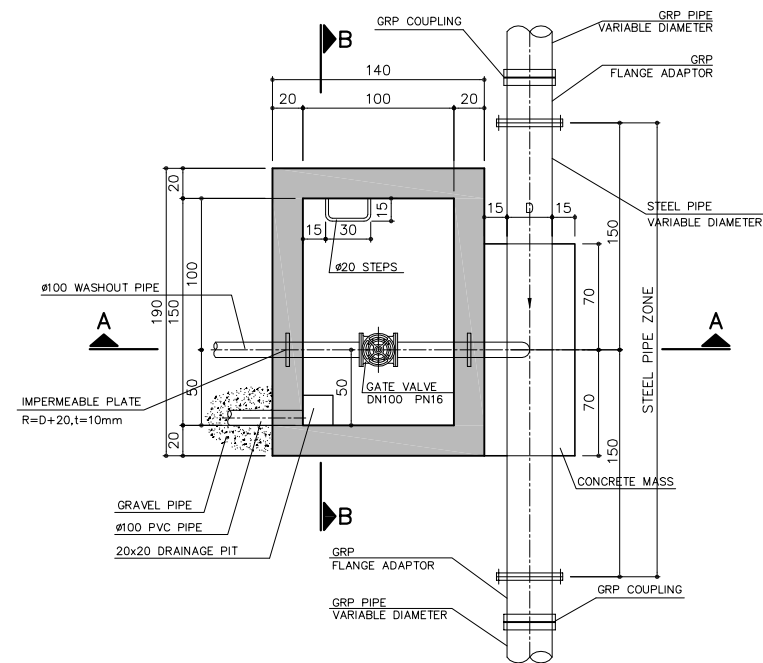


MATERIAL:
 CONCRETE: C25
 REINFORCEMENT: St III
 LEAN CONCRETE: C16

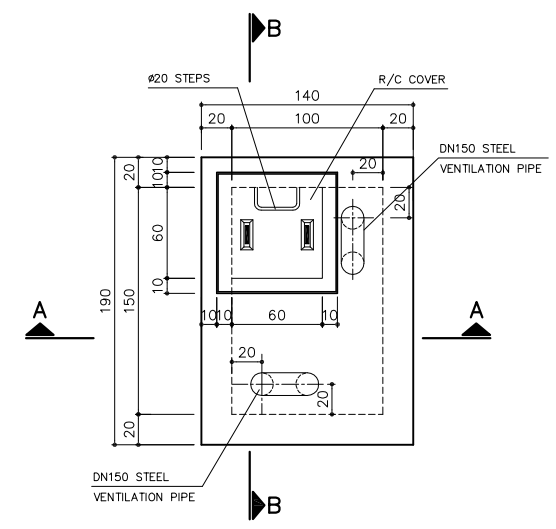
NOTE:
 Concrete surfaces touching the ground
 will be painted with 2 layers of bitumen.



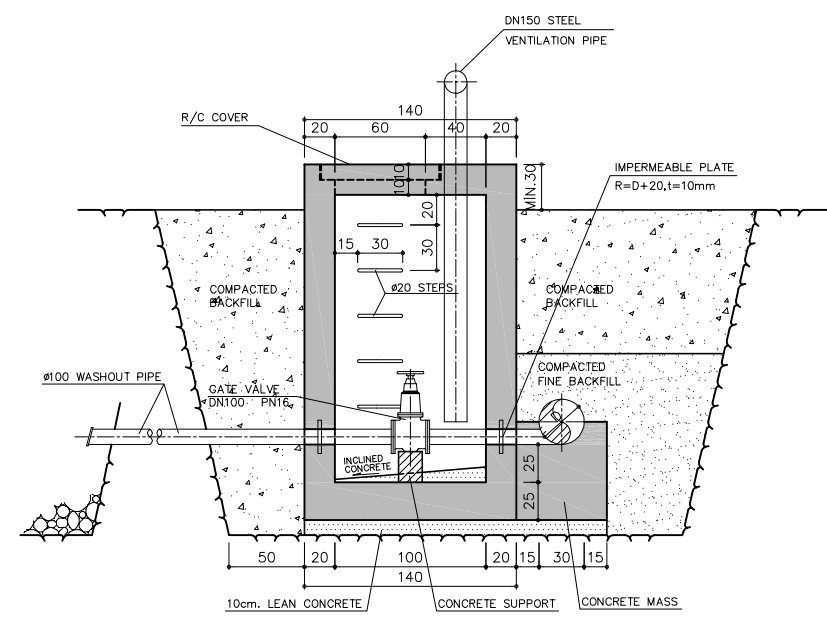
SPECIAL ASSISTANCE FOR PROJECT IMPLEMENTATION (SAPI) FOR THE PROVINCIAL CITIES WATER SUPPLY AND SEWERAGE PROJECT IN THE REPUBLIC OF AZERBAIJAN	AZERSU JOINT STOCK COMPANY, the Republic of Azerbaijan	Site :	Facility :	Title :	Scale of Drawing:	Category - City	Facility Code - Number
	Japan International Cooperation Agency (JICA), Japan	GENERAL	Transmission Line	Washout Valve Chamber On PE Pipes	1/25	SU-GEN	09-06(05)
					Original Size of Paper:	Date	Revision Number
					A1	January 2010	Rev.0



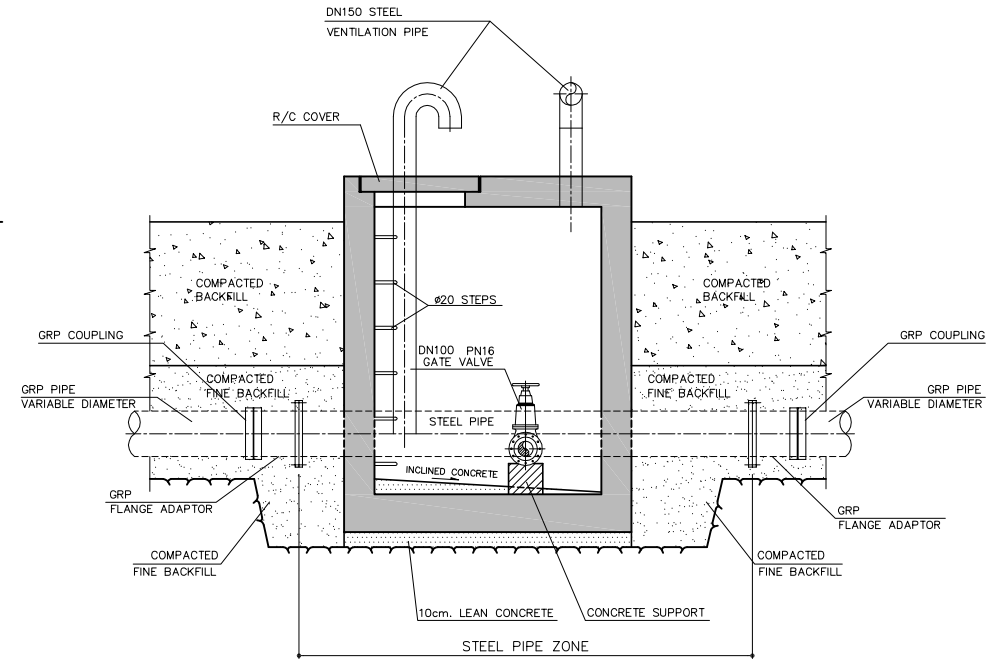
PLAN 1/25



TOP VIEW 1/25



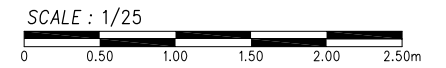
SECTION A-A 1/25



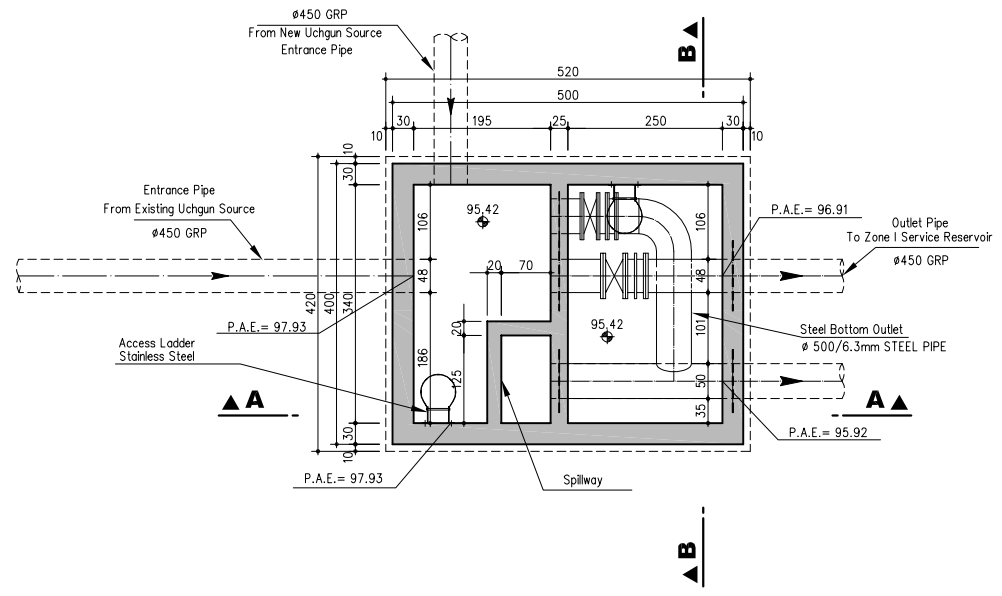
SECTION B-B 1/25

MATERIAL:
 CONCRETE: C25
 REINFORCEMENT: St III
 LEAN CONCRETE: C16

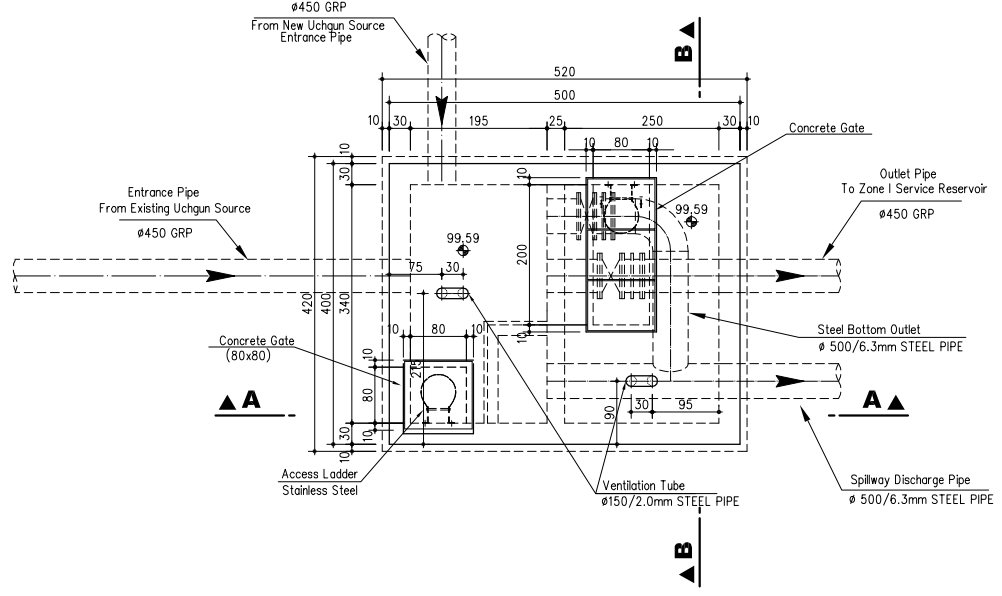
NOTE:
 Concrete surfaces touching the ground
 will be painted with 2 layers of bitumen.



SPECIAL ASSISTANCE FOR PROJECT IMPLEMENTATION (SAPI) FOR THE PROVINCIAL CITIES WATER SUPPLY AND SEWERAGE PROJECT IN THE REPUBLIC OF AZERBAIJAN	AZERSU JOINT STOCK COMPANY, the Republic of Azerbaijan	Site :	Facility :	Title :	Scale of Drawing:	Category - City	Facility Code - Number
	Japan International Cooperation Agency (JICA), Japan	GENERAL	Transmission Line	Washout Valve Chamber On GRP Pipes	1/25	SU-GEN	09-06(06)
					Original Size of Paper:	Date	Revision Number
					A1	January 2010	Rev.0



FOUNDATION FORMWORK PLAN
SCALE: 1/50

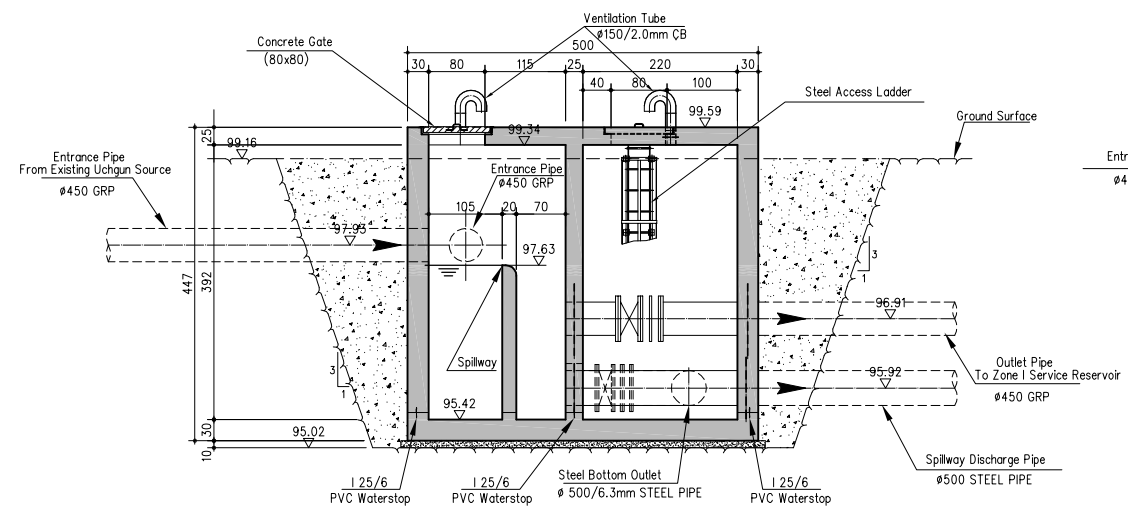


UPPER SLAB CONCRETE PLAN
SCALE: 1/50

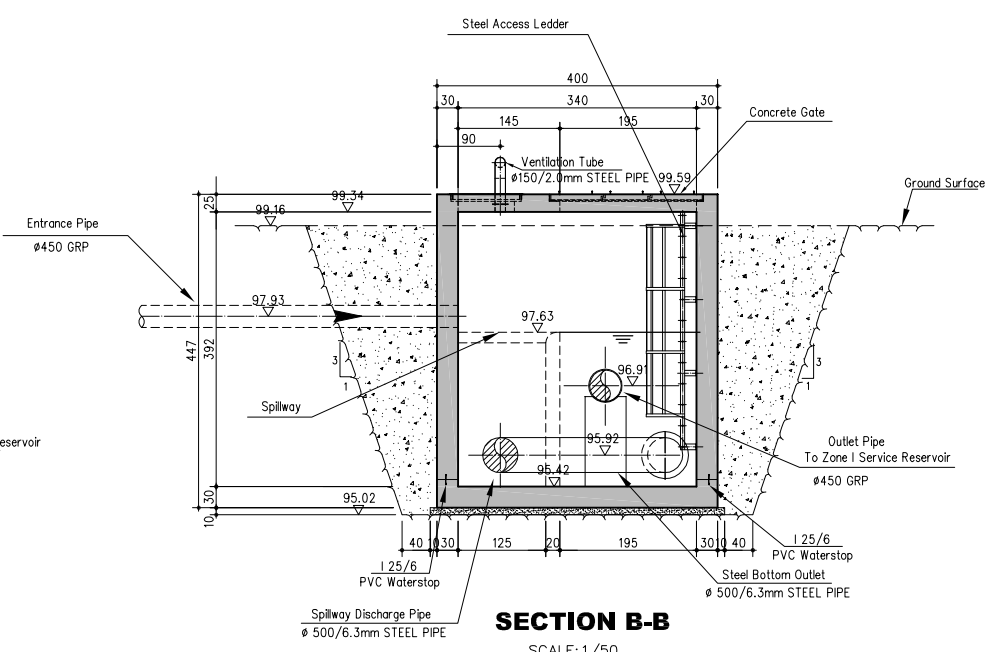
LEGEND:
P.A.E. = PIPE AXIS ELEVATION

MATERIAL:
CONCRETE: C25
REINFORCEMENT: S1 III
LEAN CONCRETE: C16

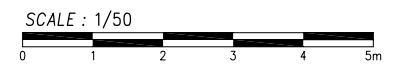
NOTE:
Concrete surfaces touching the ground will be painted with 2 layers of bitumen.



SECTION A-A
SCALE: 1/50



SECTION B-B
SCALE: 1/50



SPECIAL ASSISTANCE FOR PROJECT IMPLEMENTATION (SAPI) FOR THE PROVINCIAL CITIES WATER SUPPLY AND SEWERAGE PROJECT IN THE REPUBLIC OF AZERBAIJAN	AZERSU JOINT STOCK COMPANY, the Republic of Azerbaijan		Site :	Facility :	Title :	Scale of Drawing	Category - City	Facility Code - Number
	Japan International Cooperation Agency (JICA), Japan		Khacmaz	Junction Chamber at Point "A" on Khacmaz Transmission Pipeline	Plan & Sections	1/50	SU-GEN	09-06(07)
						Original Size of Paper	Date	Revision Number
						A1	March 2010	Rev.0