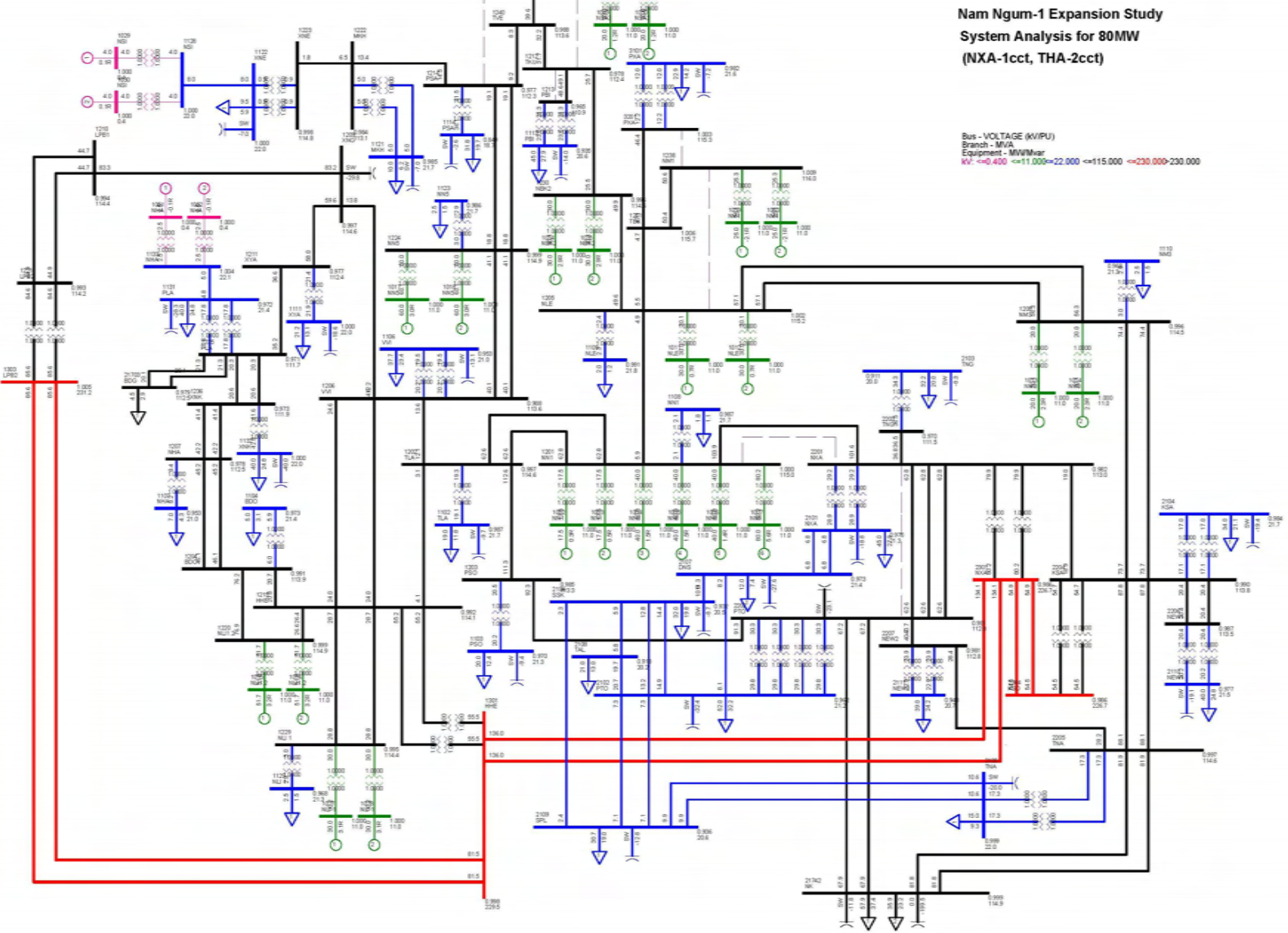
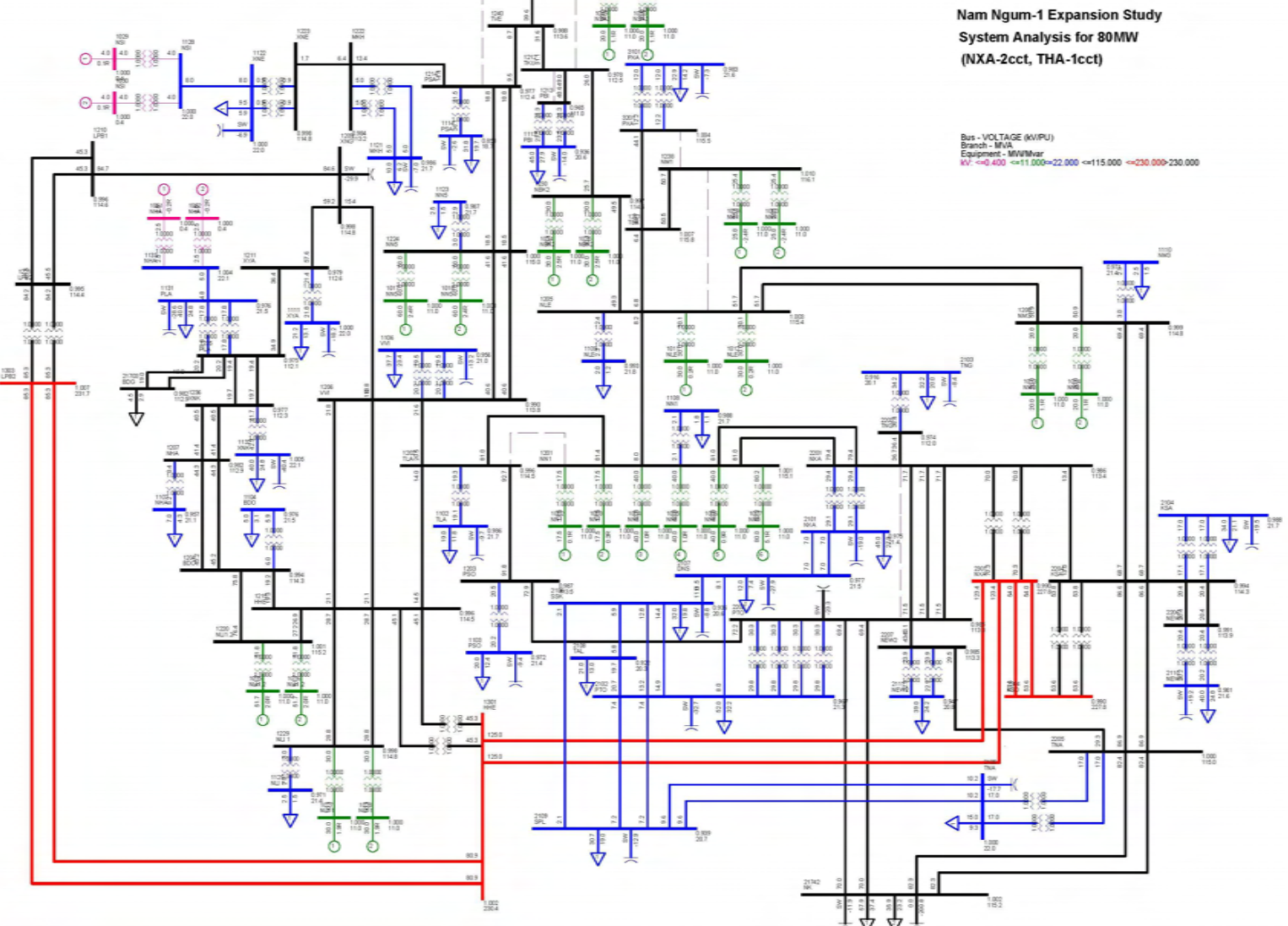


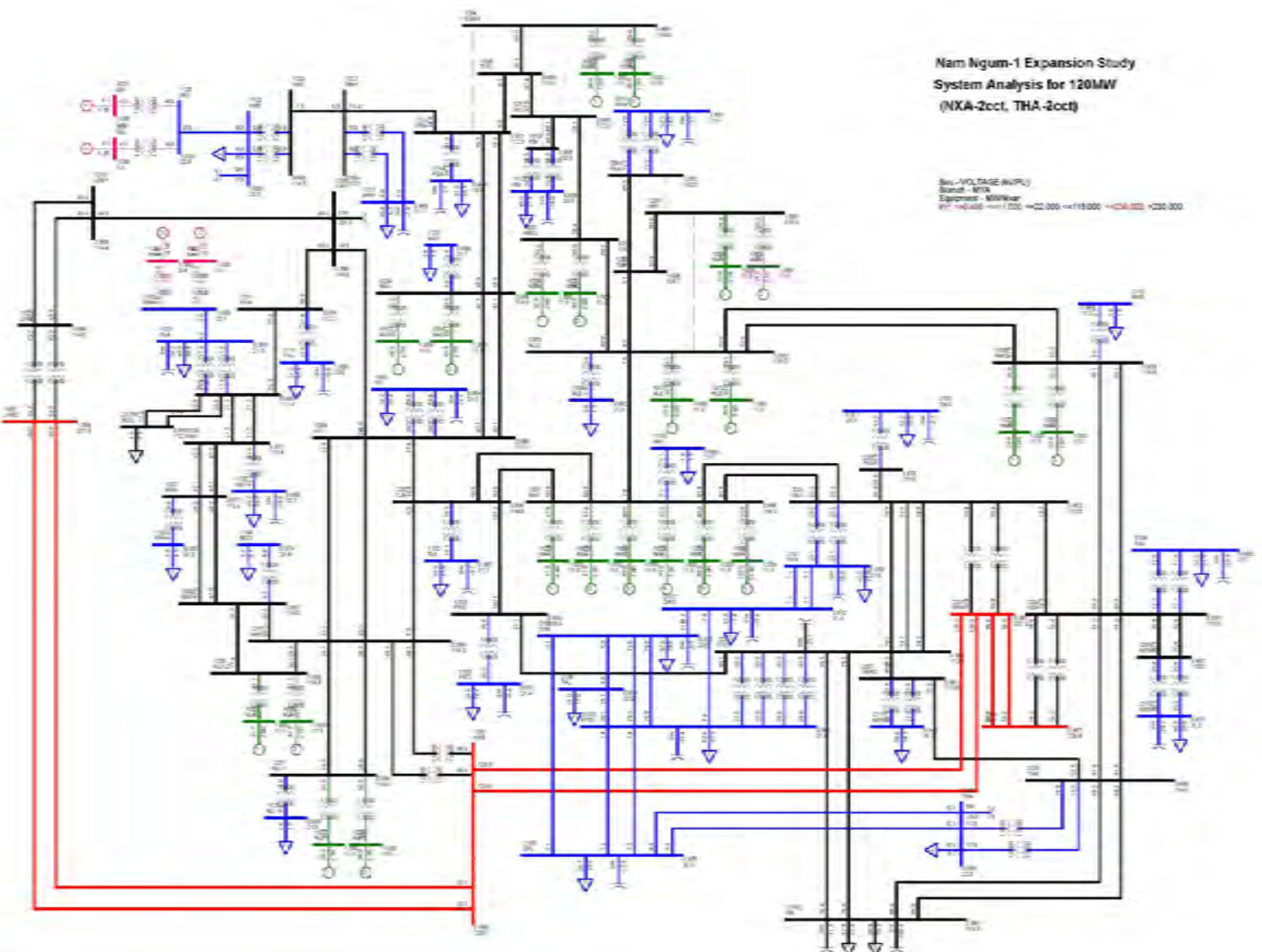
**Figure A-11 Result of Power Flow and Voltage Regulation Analysis (Expansion Plan:  
80MW, Normal Condition)**



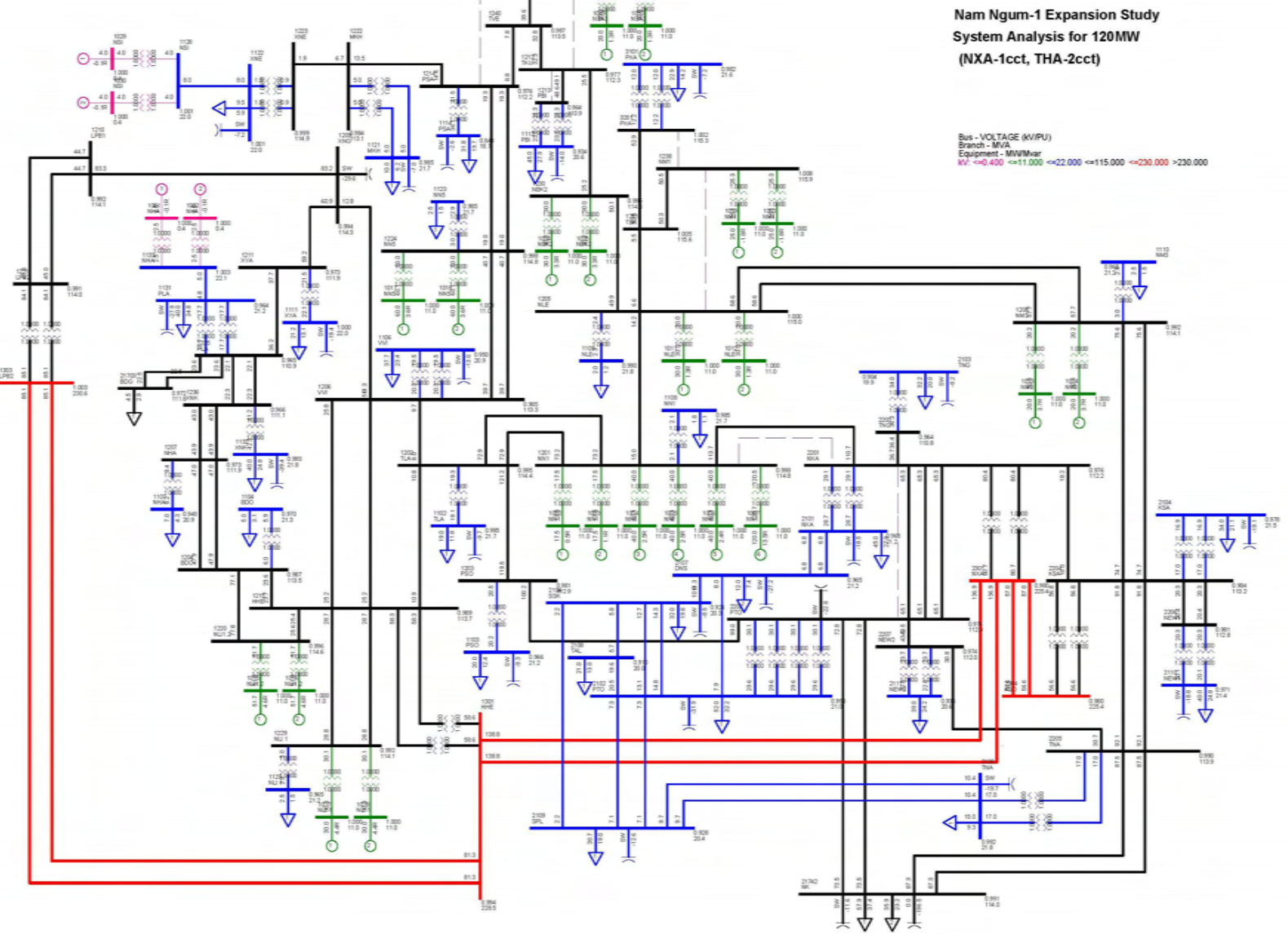
**Figure A-12      Result of Power Flow and Voltage Regulation Analysis (Expansion Plan:  
80MW, N-1 Contingency: NN1-NXA Fault)**



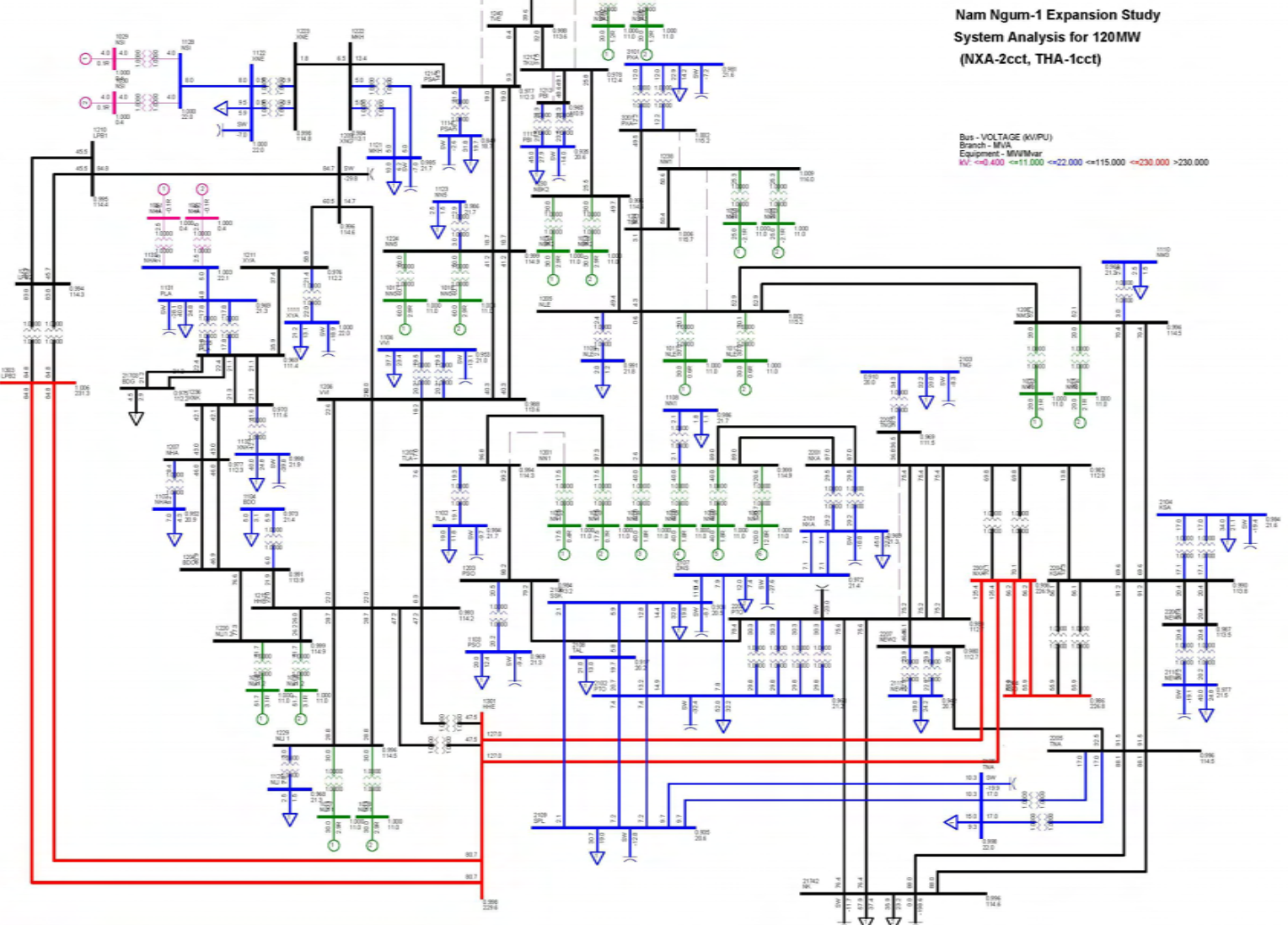
**Figure A-13      Result of Power Flow and Voltage Regulation Analysis (Expansion Plan:  
80MW, N-1 Contingency: NN1-TLA Fault)**



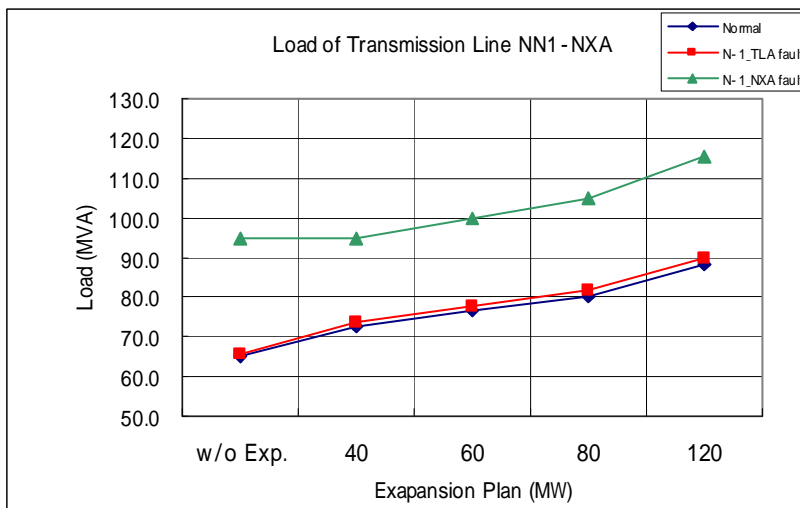
**Figure A-14 Result of Power Flow and Voltage Regulation Analysis (Expansion Plan: 120MW, Normal Condition)**



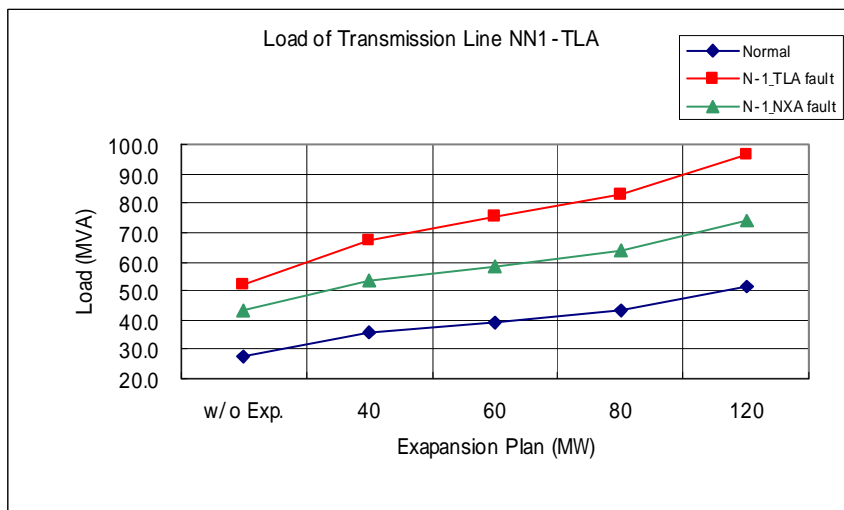
**Figure A-15** Result of Power Flow and Voltage Regulation Analysis (Expansion Plan:  
120MW, N-1 Contingency: NNI-NXA Fault)



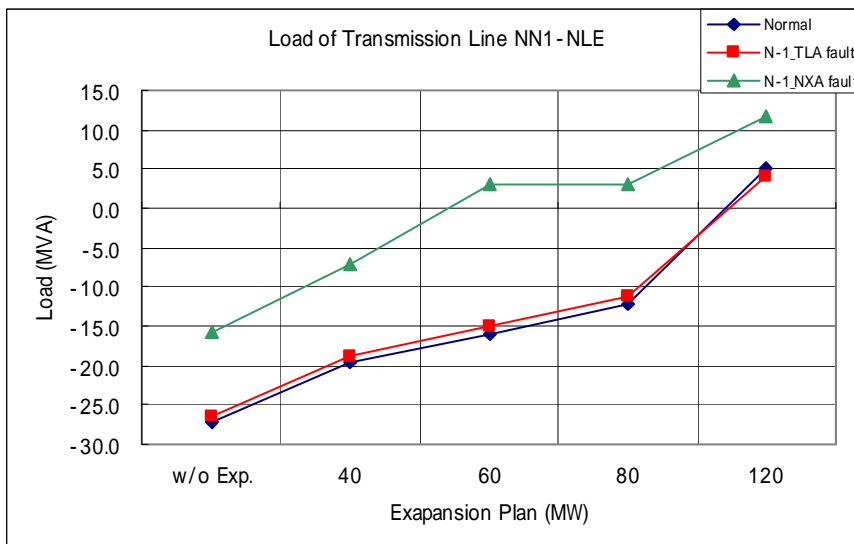
**Figure A-16 Result of Power Flow and Voltage Regulation Analysis (Expansion Plan: 120MW, N-1 Contingency: NN1-TLA Fault)**



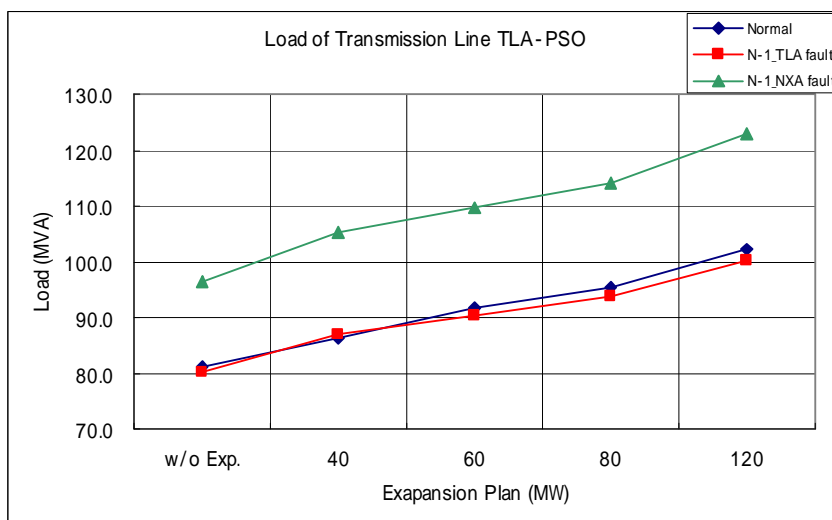
**Figure A-17 Transition of Load Flow of Transmission Line between Nam Ngum 1 P/S and Naxaythong S/S**



**Figure A-18 Transition of Load Flow of Transmission Line between Nam Ngum 1 P/S and Thalat S/S**

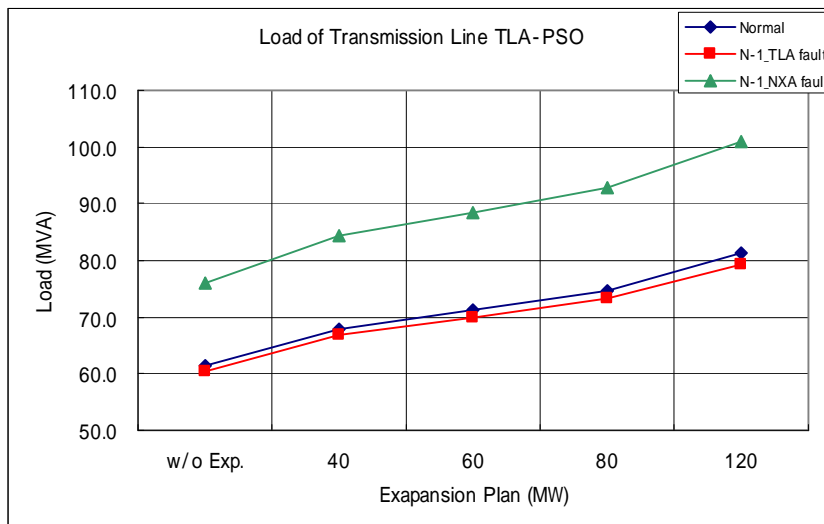


**Figure A-19 Transition of Load Flow of Transmission Line between Nam Ngum 1 P/S and Nam Leuk P/S**

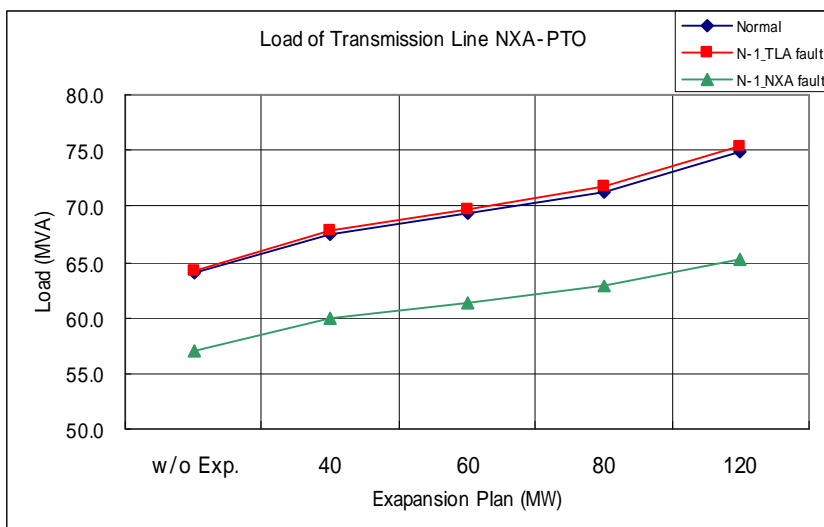


**Figure A-20 Transition of Load Capacity of Transmission Line between Thalat S/S and Phon Soung S/S**

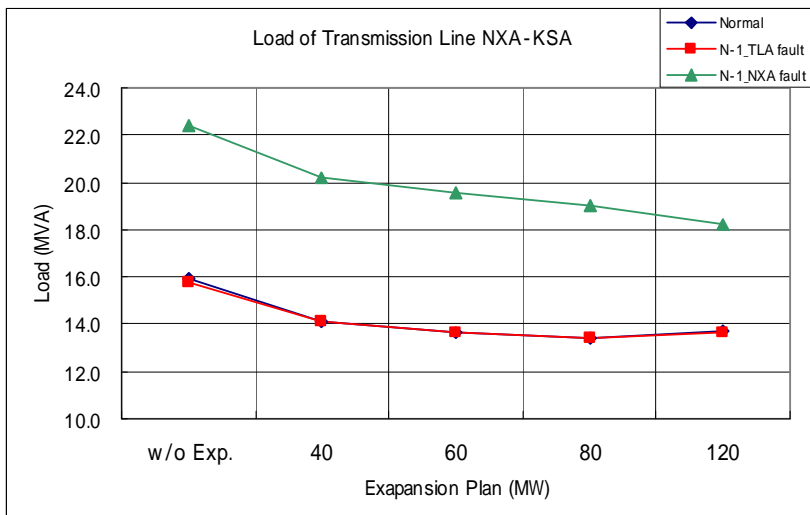




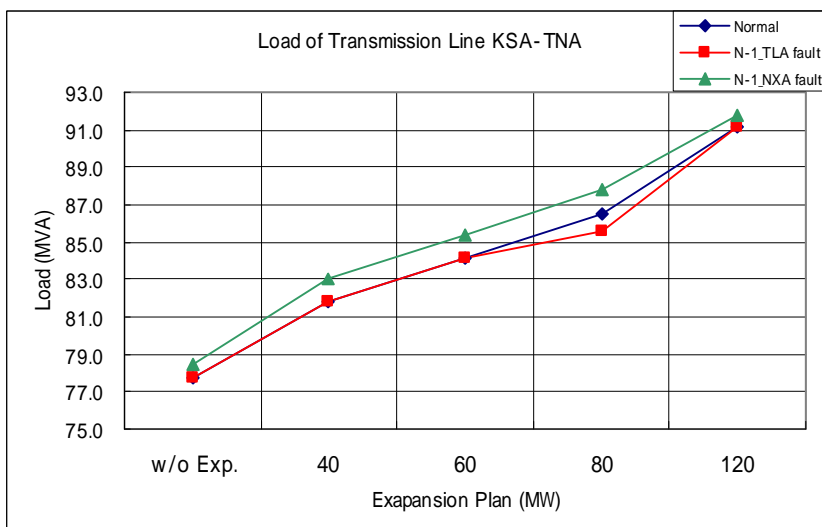
**Figure A-21 Transition of Load Flow of Transmission Line between Phon Soung S/S and Phontong S/S**



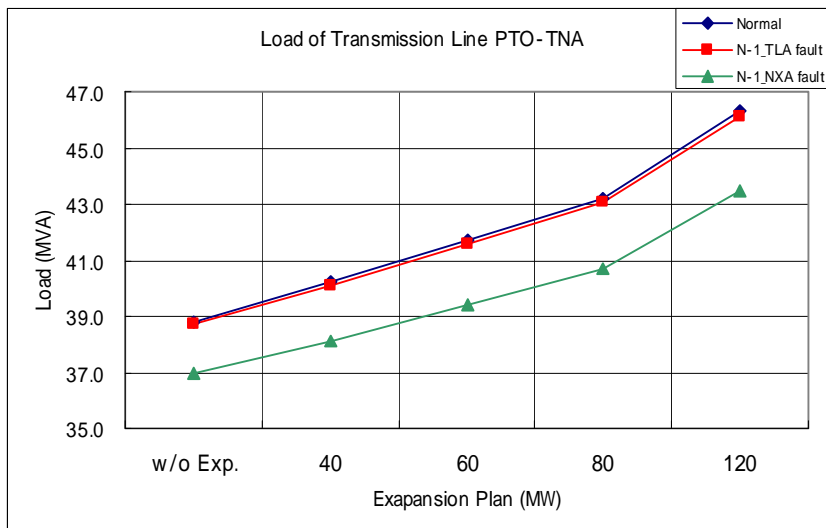
**Figure A-22 Transition of Load Flow of Transmission Line between Naxaythong S/S and Phontong S/S**



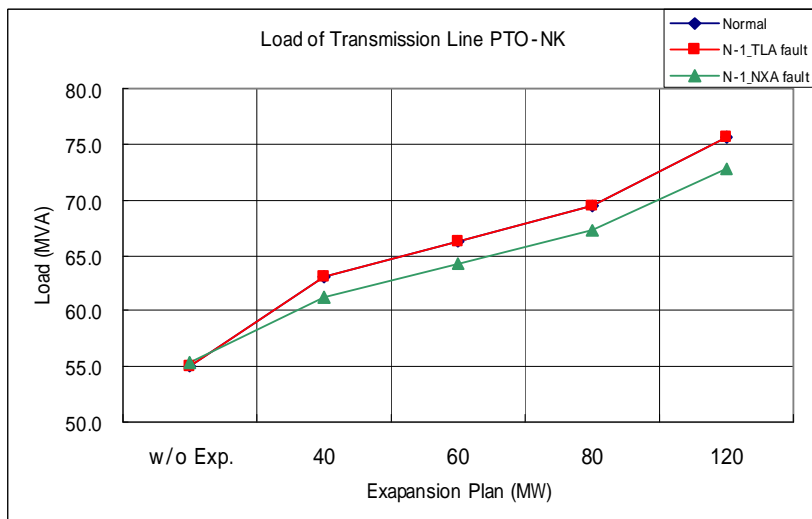
**Figure A-23 Transition of Load Flow of Transmission Line between Naxaythong S/S and Khok Saat S/S**



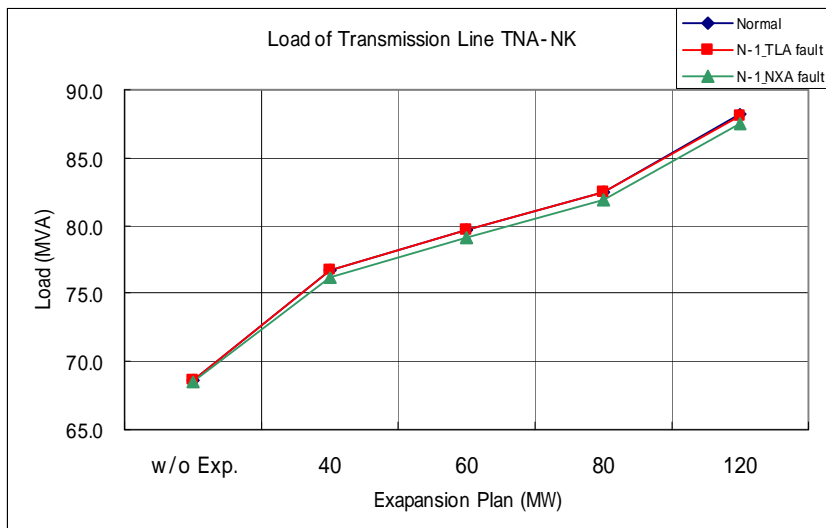
**Figure 7.2.7.24 Transition of Load Flow of Transmission Line between Khok Saat S/S and Thanaleng S/S**



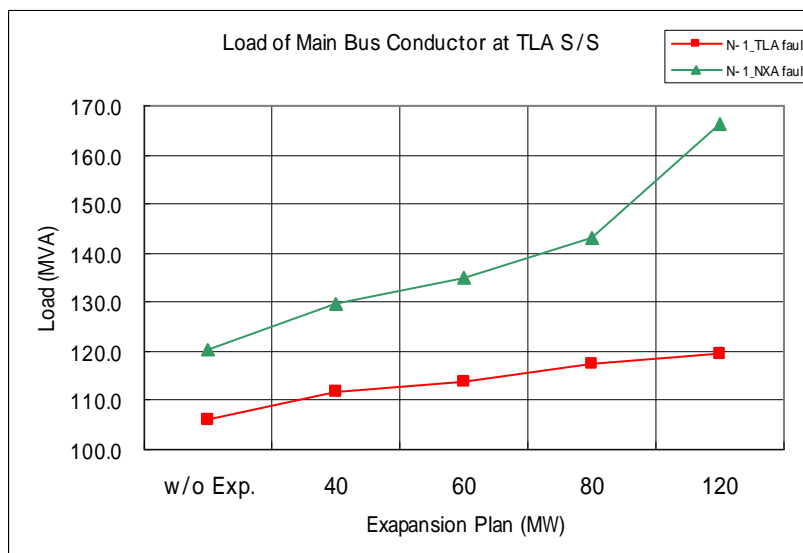
**Figure A-25 Transition of Load Flow of Transmission Line between Phontong S/S and Thanaleng S/S**



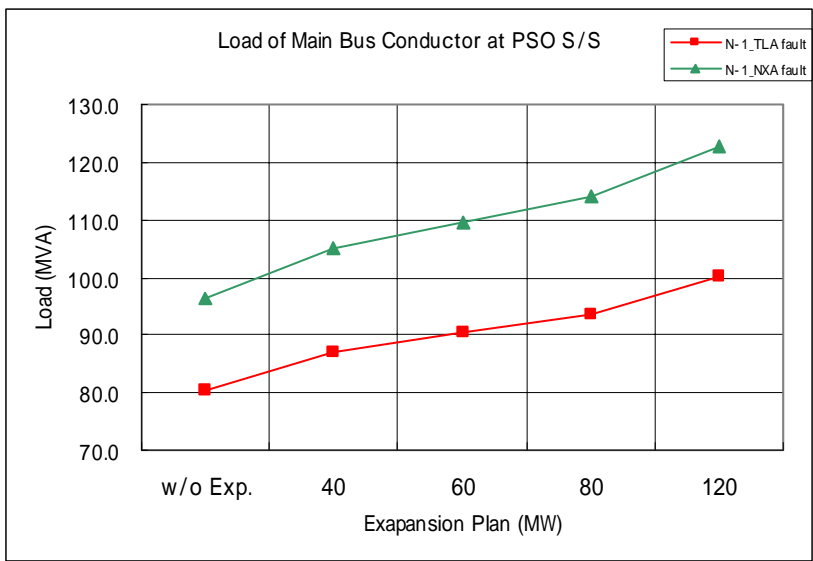
**Figure A-26 Transition of Load Flow of Transmission Line between Phontong S/S and Nong Khai S/S (EGAT)**



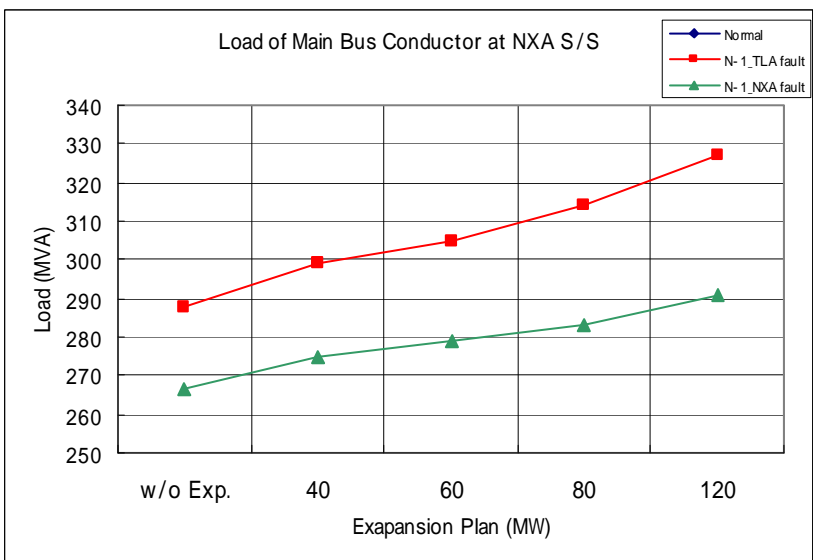
**Figure A-27 Transition of Load Flow of Transmission Line between Thanaleng S/S and Nong Khai S/S (EGAT)**



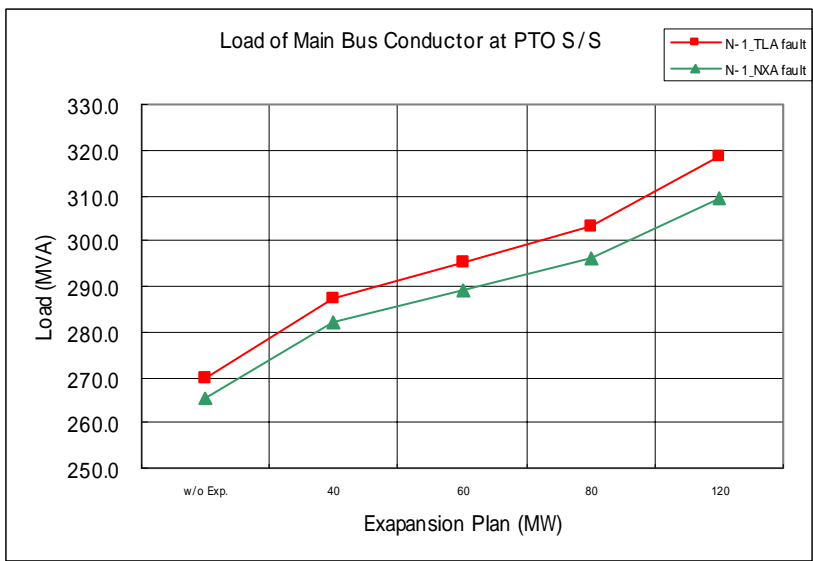
**Figure A-28 Transition of Load Flow of Main Bus of Thalat S/S**



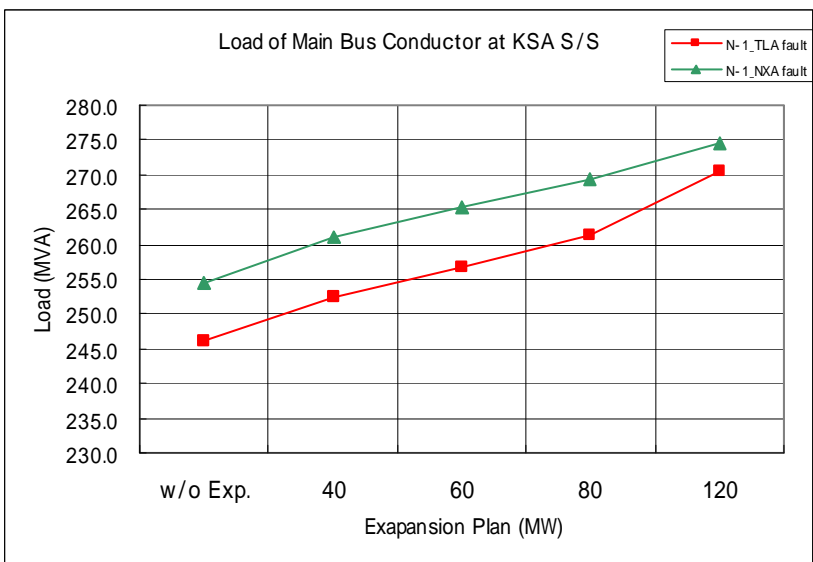
**Figure A-29 Transition of Load Flow of Main Bus of Phon Soung S/S**



**Figure A-30 Transition of Load Flow of Main Bus of Naxaythong S/S**



**Figure A-31 Transition of Load Flow of Main Bus of Phontong S/S**



**Figure A-32 Transition of Load Flow of Main Bus of Khok Saat S/S**

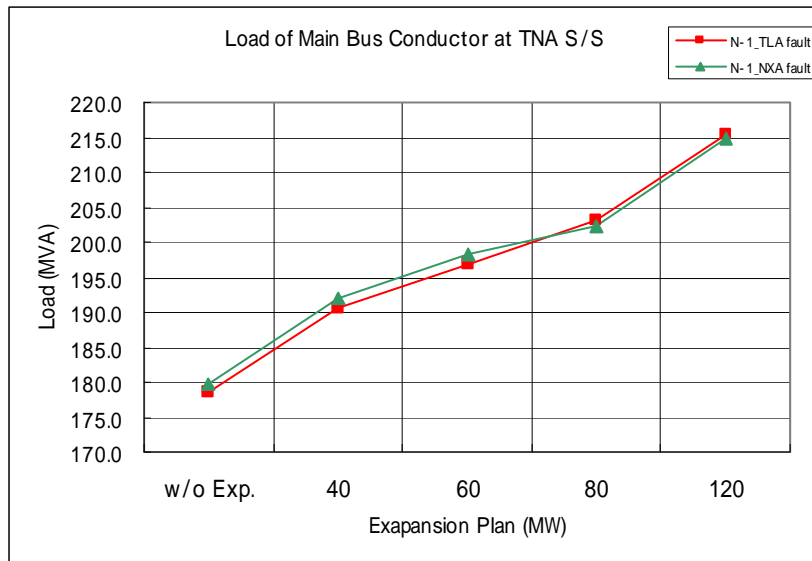


Figure A-33 Transition of Load Flow of Main Bus of Thanaleng S/S

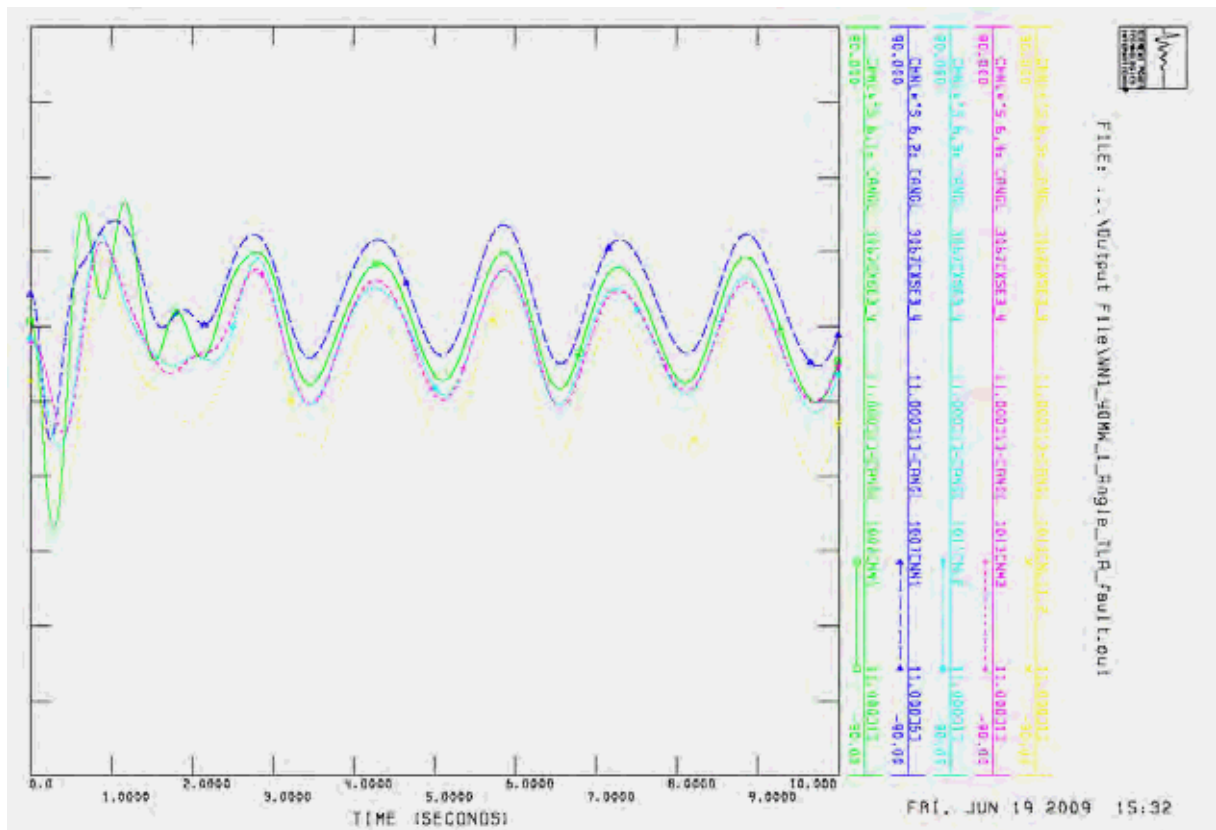


Figure A-34 Stability Analysis (Case NN1\_40MW\_1\_TLA\_fault)

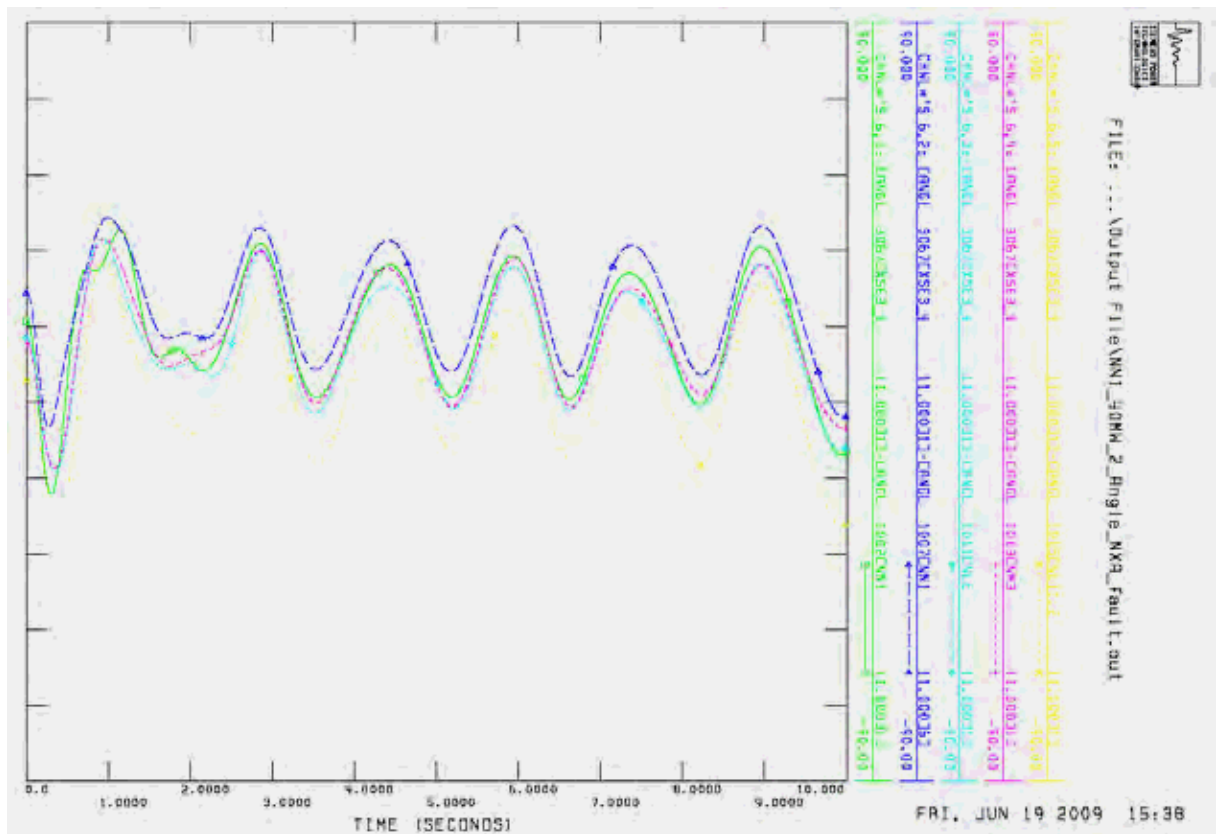


Figure A-35 Stability Analysis (Case NN1\_40MW\_1\_NXA\_fault)

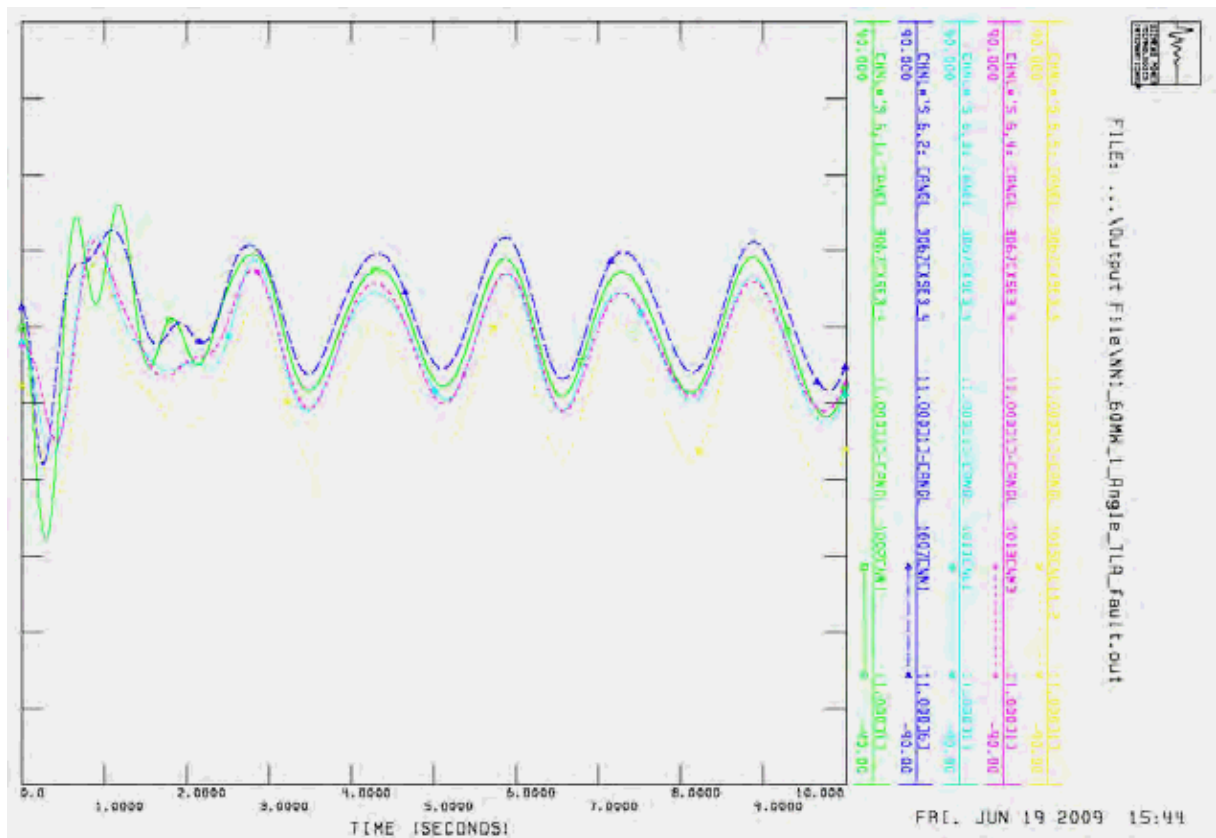


Figure A-36 Stability Analysis (Case NN1\_60MW\_1\_TLA\_fault)



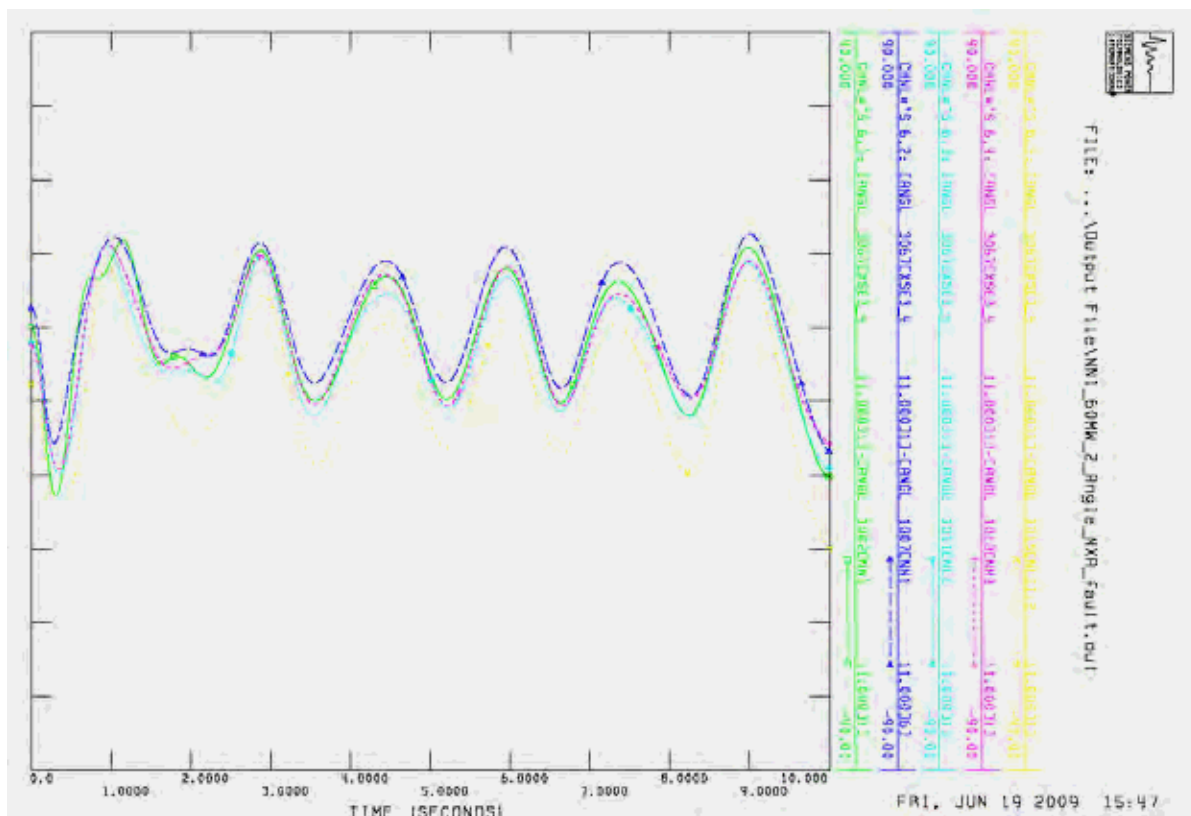


Figure A-37 Stability Analysis (Case NN1\_60MW\_1\_NXA\_fault)

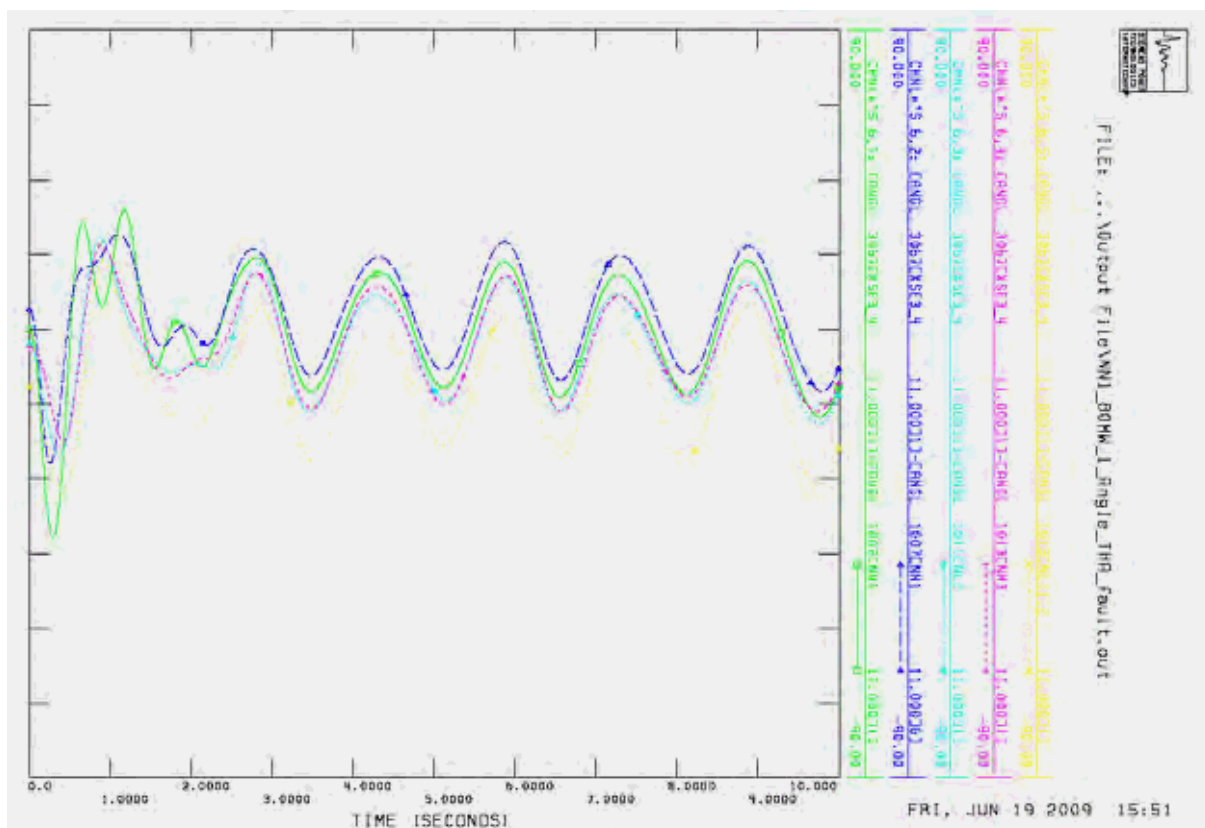


Figure A-38 Stability Analysis (Case NN1\_80MW\_1\_TLA\_fault)

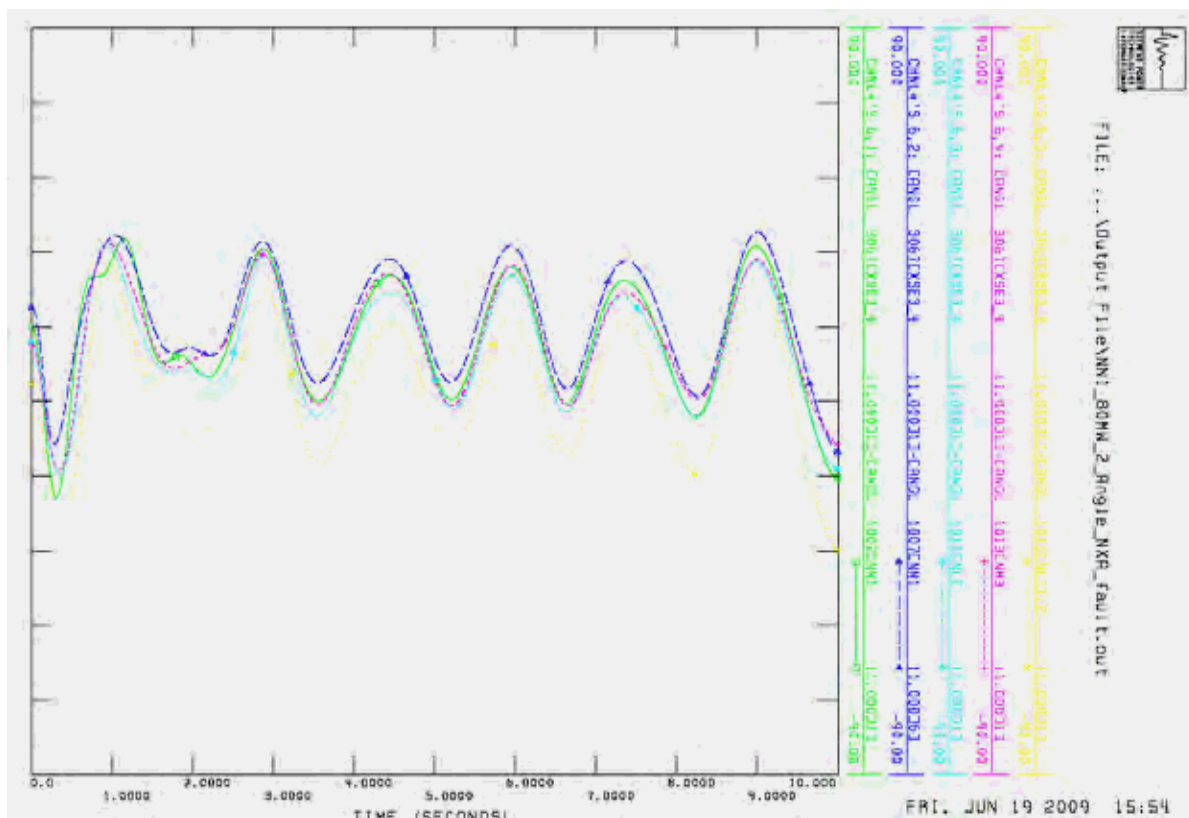


Figure A-39 Stability Analysis (Case NN1\_80MW\_1\_NXA\_fault)

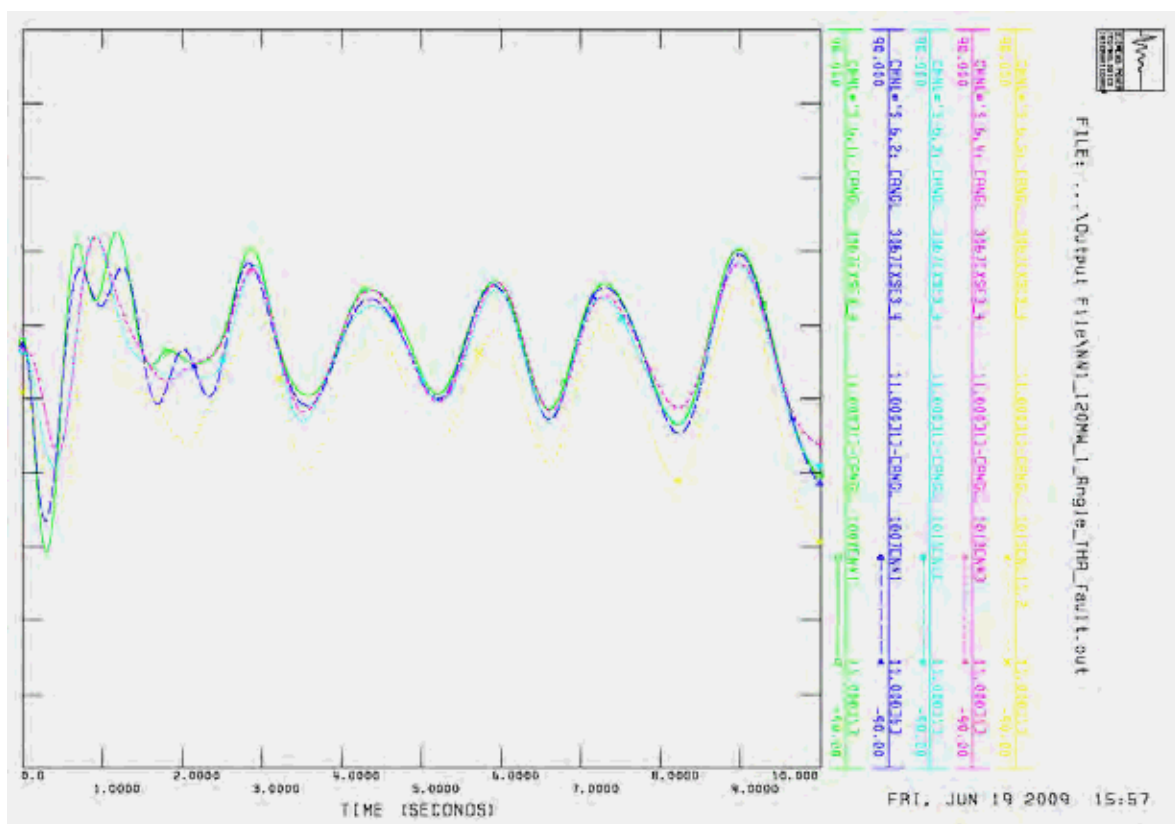


Figure A-40 Stability Analysis (Case NN1\_120MW\_1\_TLA\_fault)

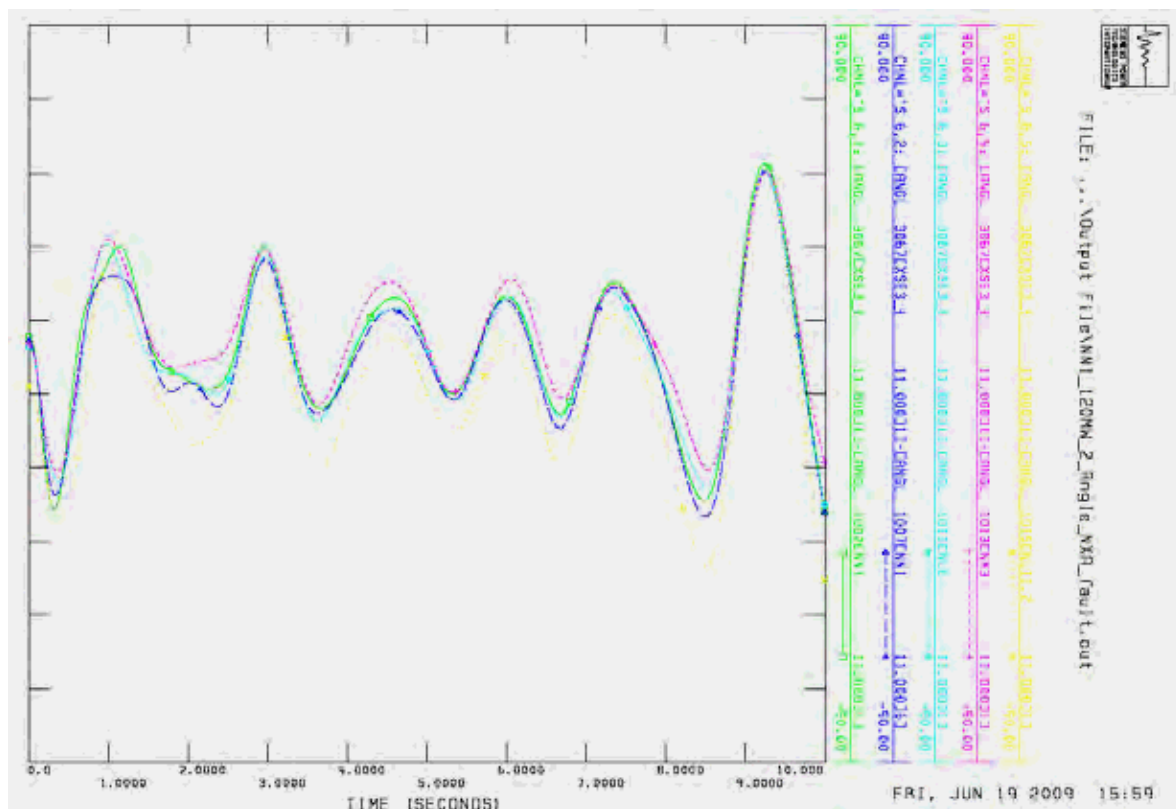


Figure A-41 Stability Analysis (Case NN1\_120MW\_1\_NXA\_fault)