

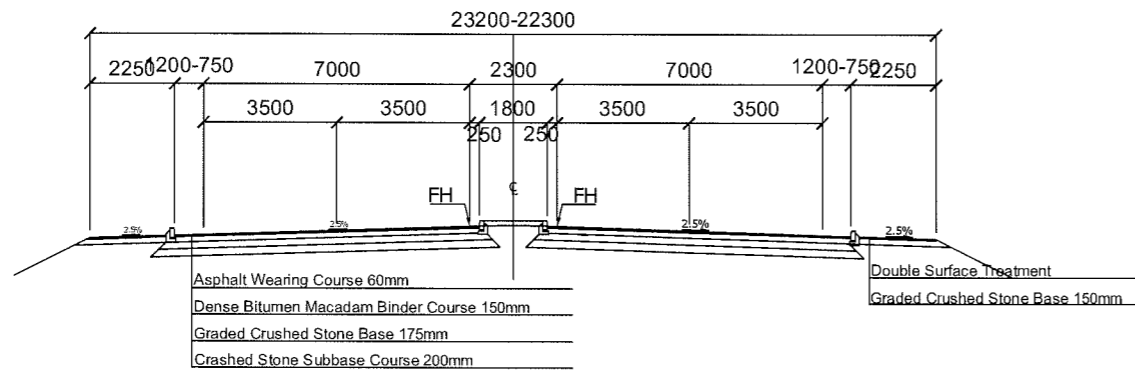
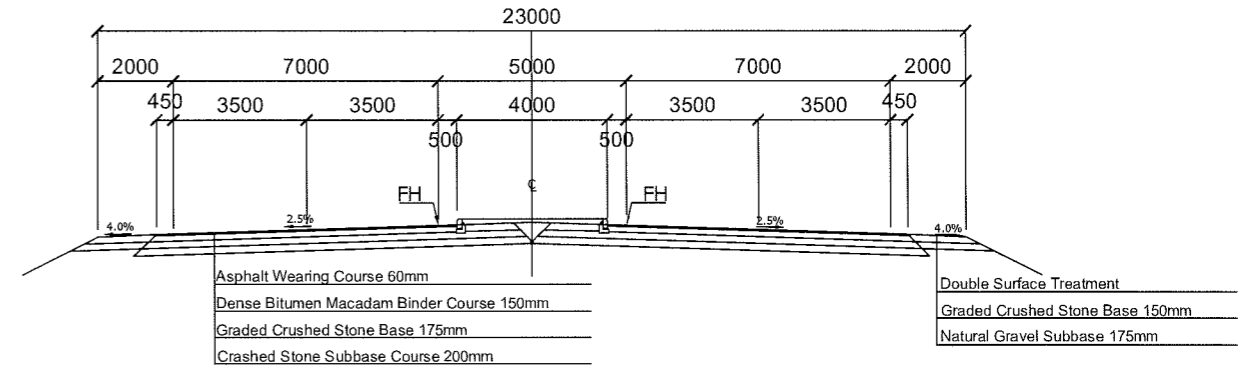


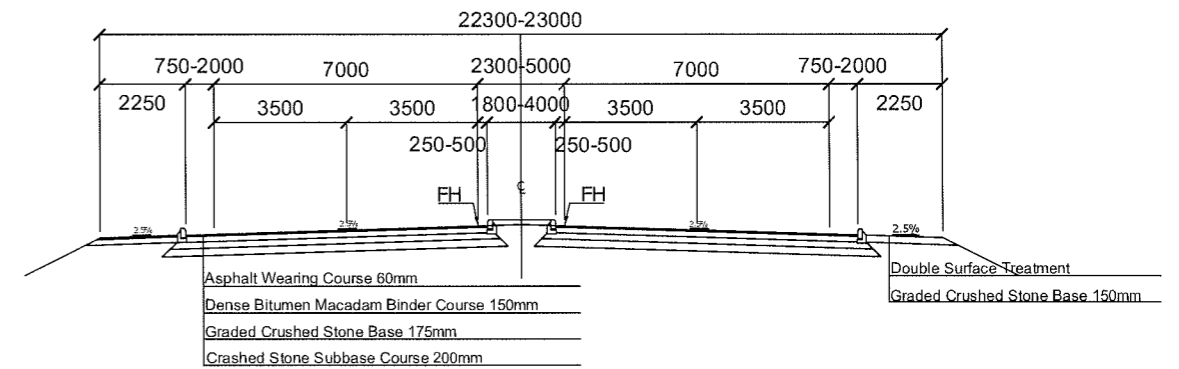
THE REPUBLIC OF UGANDA MINISTRY OF WORKS AND TRANSPORT  UGANDA NATIONAL ROAD AUTHORITY	TITLE	NAME	SIGNATURE	DATE	 JAPAN INTERNATIONAL COOPERATION AGENCY JICA STUDY TEAM ORIENTAL CONSULTANTS CO., LTD. EIGHT JAPAN ENGINEERING CONSULTANTS CO., LTD.	THE FEASIBILITY STUDY ON THE CONSTRUCTION OF A NEW NILE BRIDGE ACROSS RIVER NILE AT JINJA	PACKAGE
	PREPARED BY					DRAWING TITLE	DRAWING No.
	CHECKED BY					Typical Cross-Section Distribution Plan SCALE 1/5,000	B-13
	APPROVED BY						SHEET No. Sheet 1 of 1



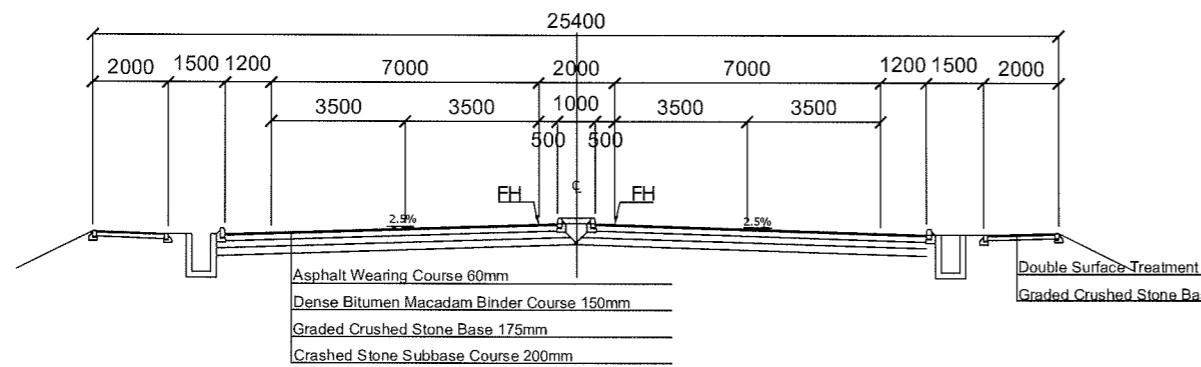
Bridge Approach-1



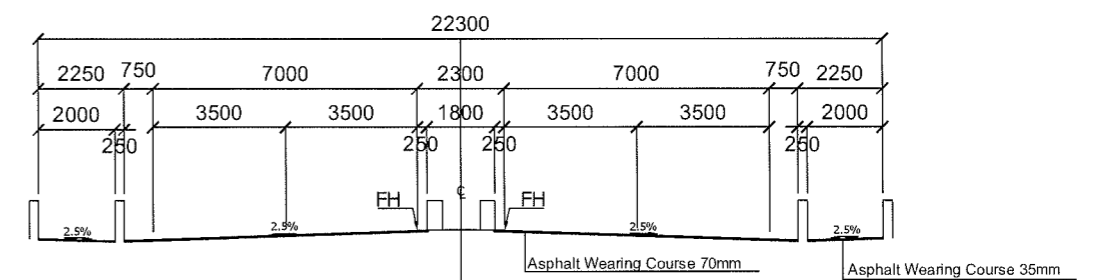
Jinja City





Bridge Approach-2



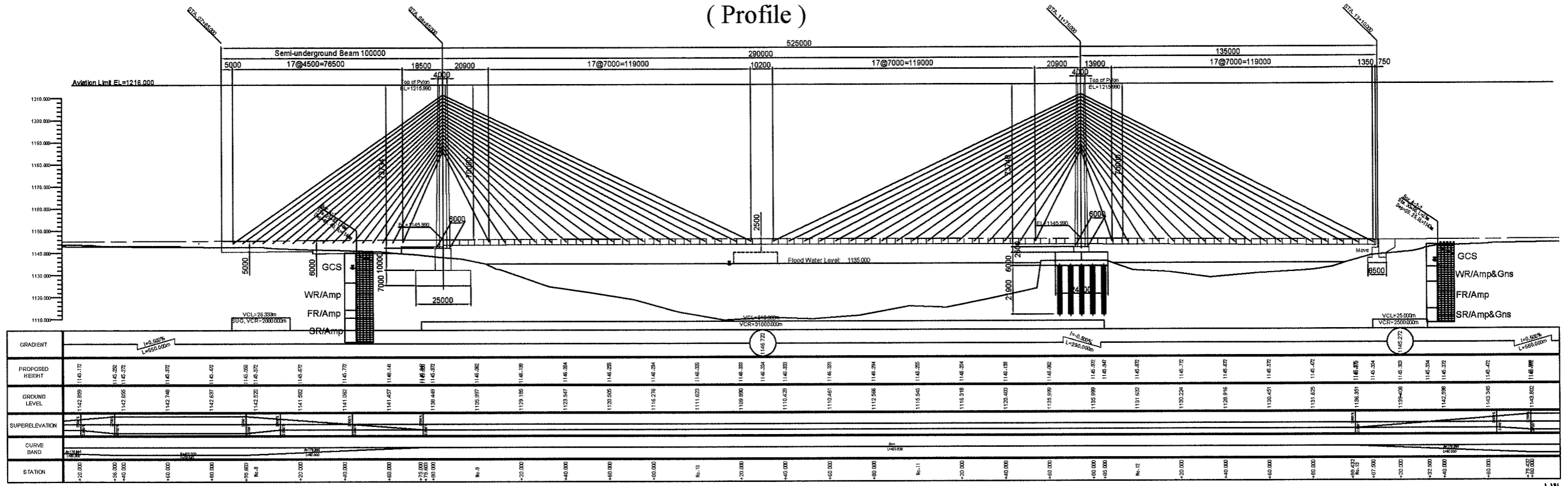
Njeru Town



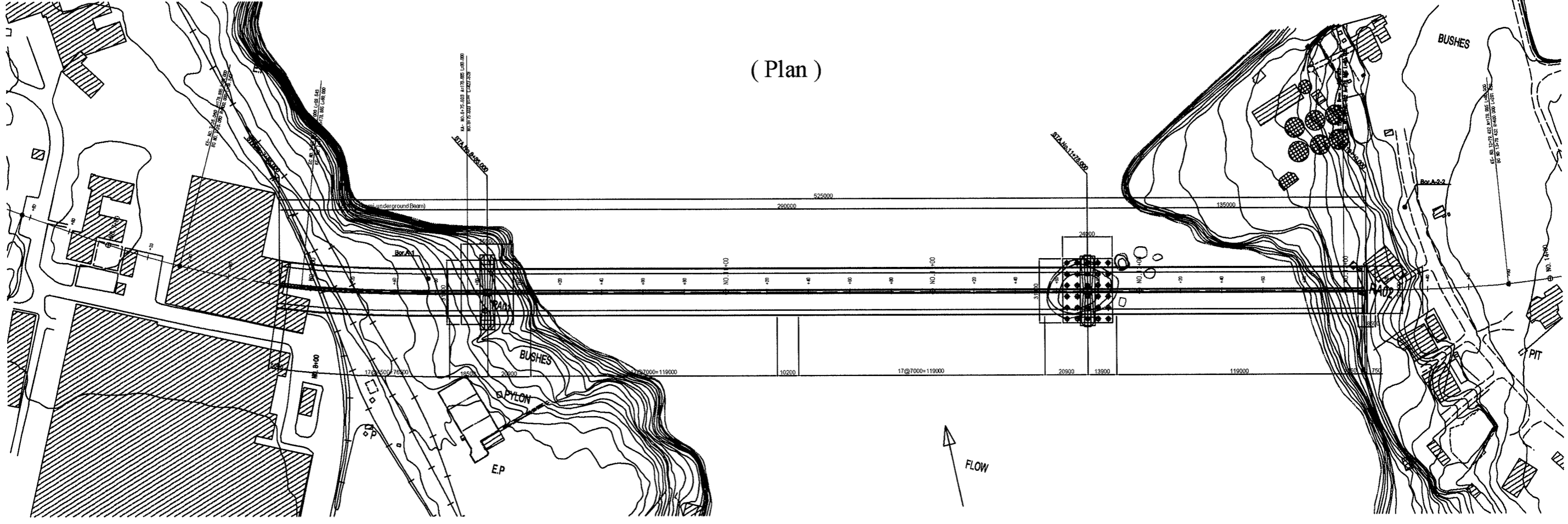
Bridge

THE REPUBLIC OF UGANDA MINISTRY OF WORKS AND TRANSPORT  UGANDA NATIONAL ROAD AUTHORITY	TITLE	NAME	SIGNATURE	DATE	 JAPAN INTERNATIONAL COOPERATION AGENCY JICA STUDY TEAM ORIENTAL CONSULTANTS CO., LTD. EIGHT JAPAN ENGINEERING CONSULTANTS CO., LTD.	THE FEASIBILITY STUDY ON THE CONSTRUCTION OF A NEW NILE BRIDGE ACROSS RIVER NILE AT JINJA DRAWING TITLE Typical Cross-Section SCALE 1/200	PACKAGE		
	PREPARED BY						DRAWING No.	B-14	
	CHECKED BY						SHEET No.	Sheet 1 of 1	
	APPROVED BY						Rev		

General View of New Nile Bridge, PC Cable-stayed Bridge: 100 m + 290 m + 135 m = 525 m (Profile)

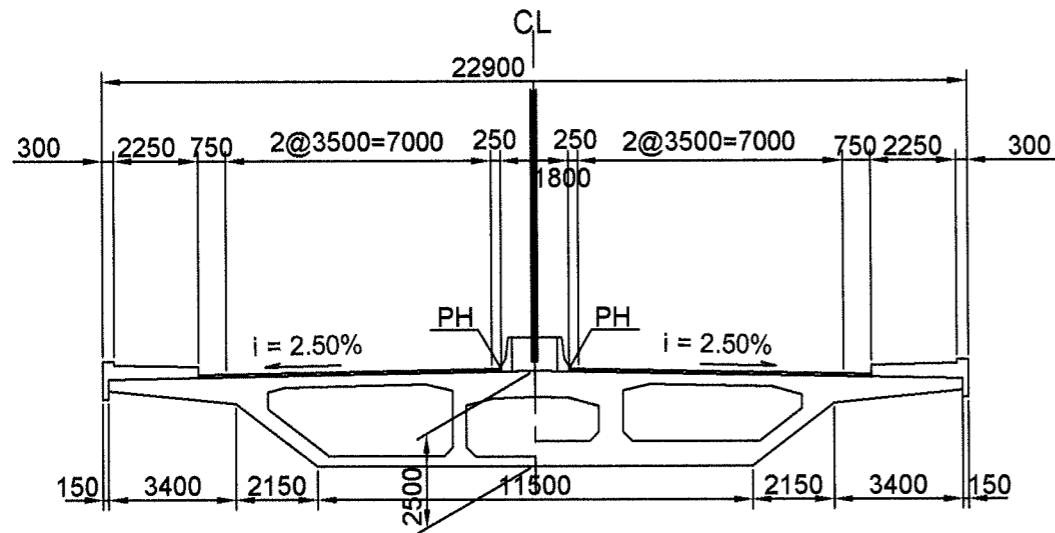


(Plan)

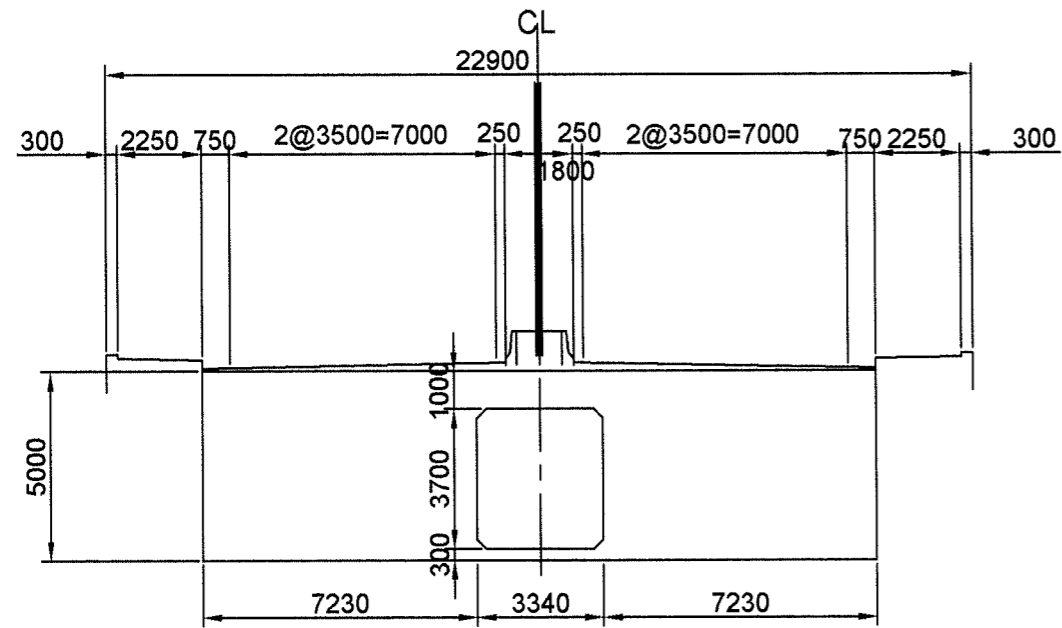


<p>THE REPUBLIC OF UGANDA MINISTRY OF WORKS AND TRANSPORT UGANDA NATIONAL ROAD AUTHORITY</p>	TITLE	NAME	SIGNATURE	DATE	<p>JICA JAPAN INTERNATIONAL COOPERATION AGENCY</p> <p>JICA STUDY TEAM ORIENTAL CONSULTANTS CO., LTD. EIGHT- JAPAN ENGINEERING CONSULTANTS INC.</p>	<p>THE FEASIBILITY STUDY ON THE CONSTRUCTION OF A NEW NILE BRIDGE ACROSS RIVER NILE AT JINJA</p> <p>DRAWING TITLE General View of New Nile Bridge PC Cable-stayed Bridge, Plan & Profile</p> <p>SCALE 1/2000</p>	PACKAGE	
	PREPARED BY						DRAWING No.	C - 01
	CHECKED BY						SHEET No.	Sheet 1 of 1
	APPROVED BY						Rev	

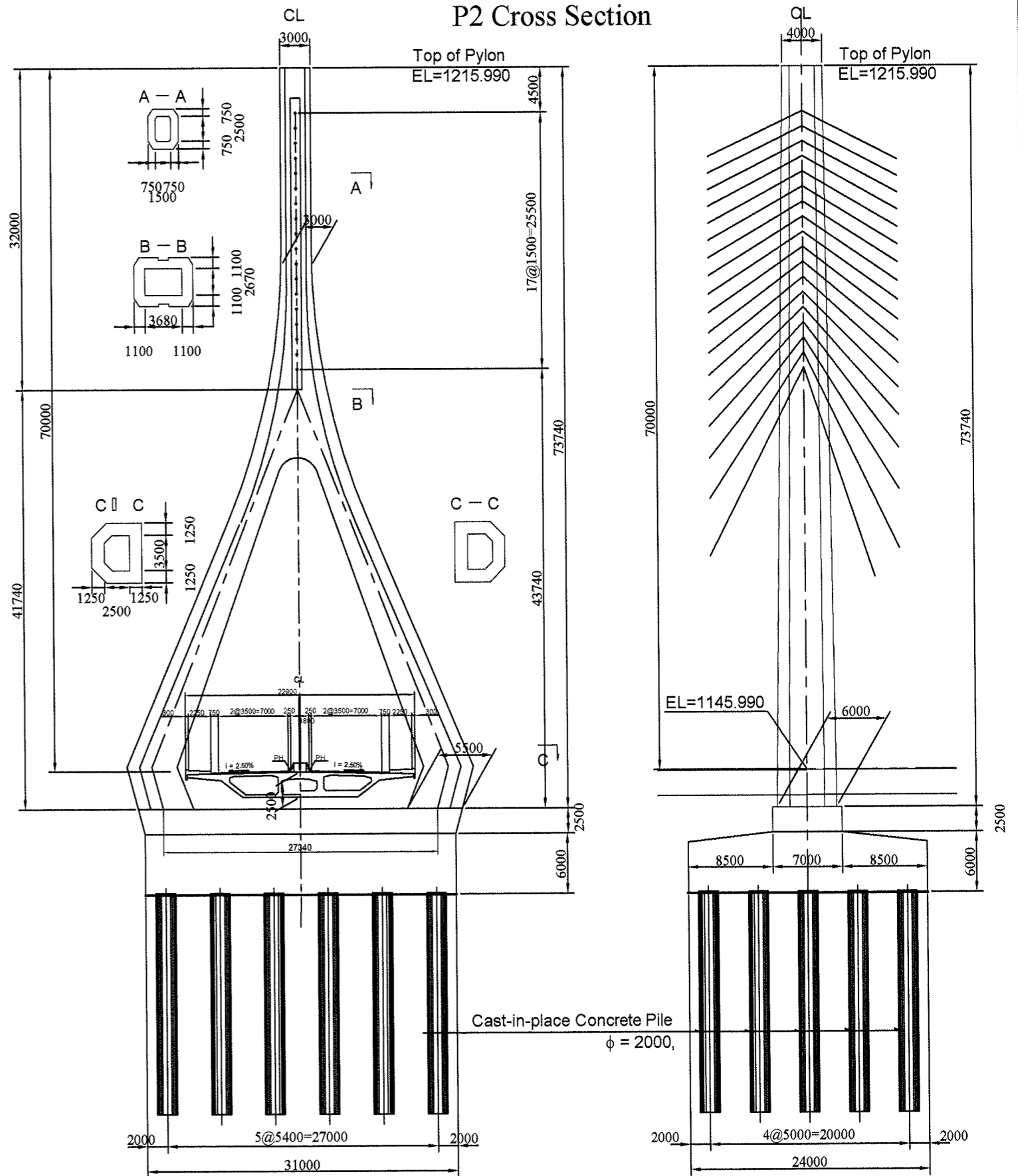
General View of Girder, Semi-underground Beam and P2



Prestressed Concrete Box Girder (Scale : 1/200)



Cross Section of Semi-underground Beam for Side Span (of A1 Side) (Scale : 1/200)



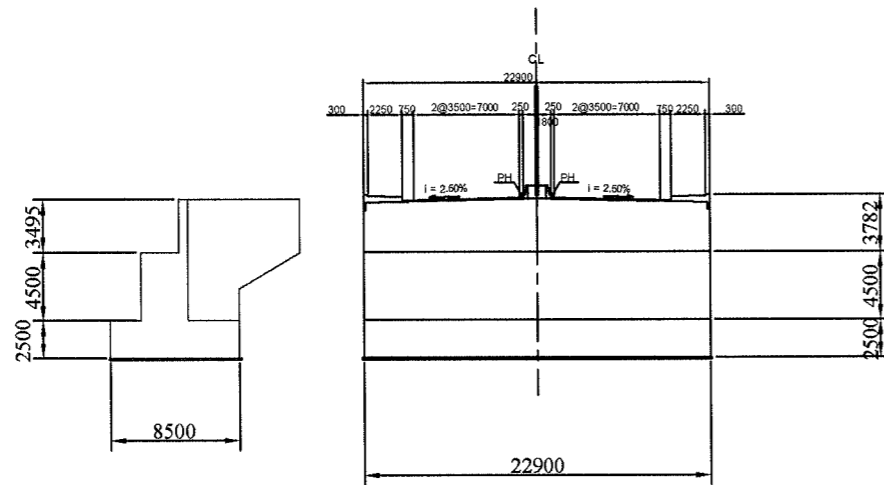
Pylon (Scale : 1/500)

	TITLE	NAME	SIGNATURE	DATE		THE FEASIBILITY STUDY ON THE CONSTRUCTION OF A NEW NILE BRIDGE ACROSS RIVER NILE AT JINJA DRAWING TITLE General View of Girder, Semi-underground Beam and P2	PACKAGE	
	PREPARED BY						DRAWING No.	C - 02
	CHECKED BY						SHEET No.	Sheet 1 of 1
	APPROVED BY						Rev.	
					ORIENTAL CONSULTANTS CO., LTD. EIGHT- JAPAN ENGINEERING CONSULTANTS INC.	SCALE: AS SHOWN		

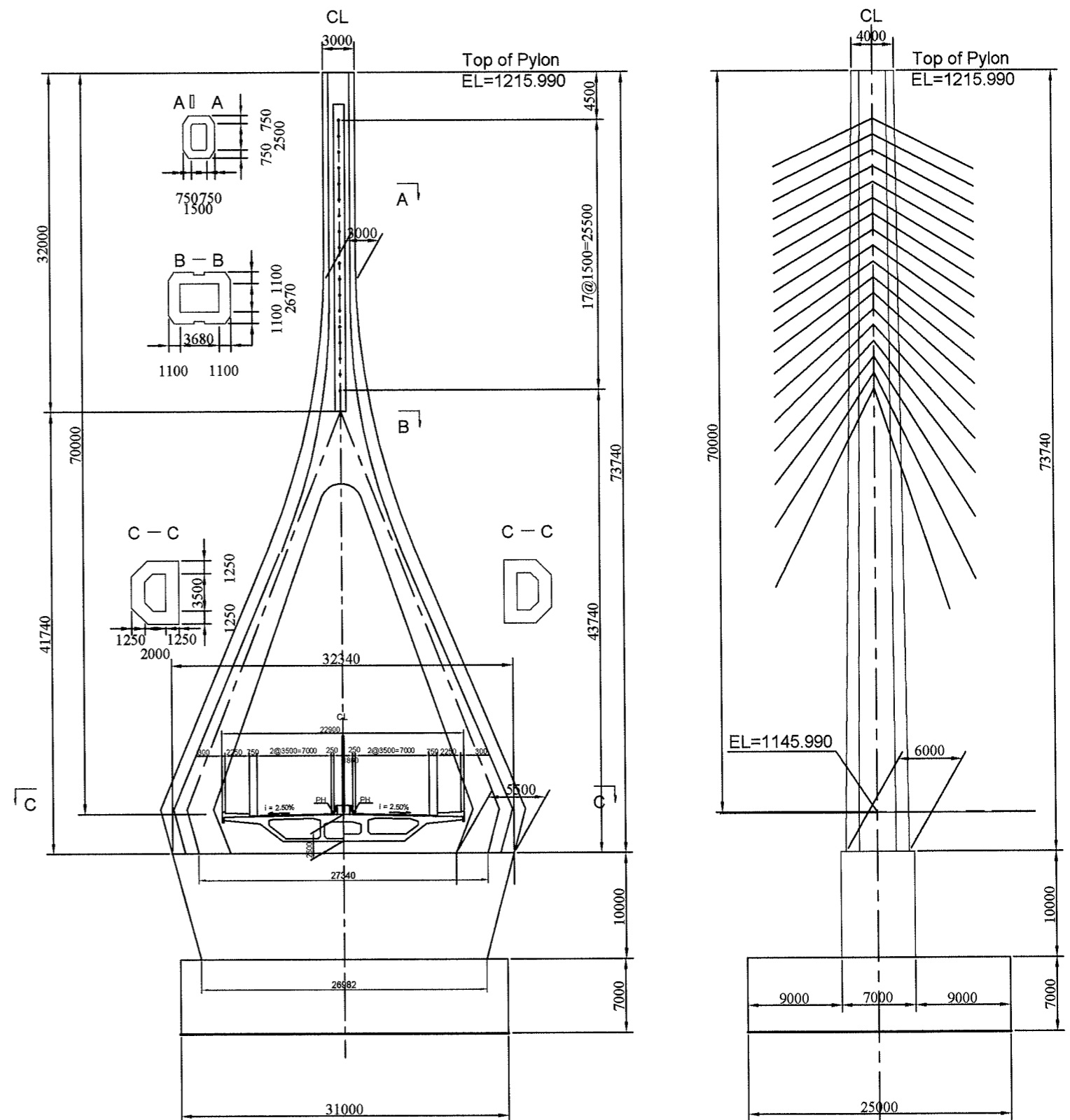
General View of P1 and A2

P1 Cross Section



A2 Cross Section



(Scale : 1/500)

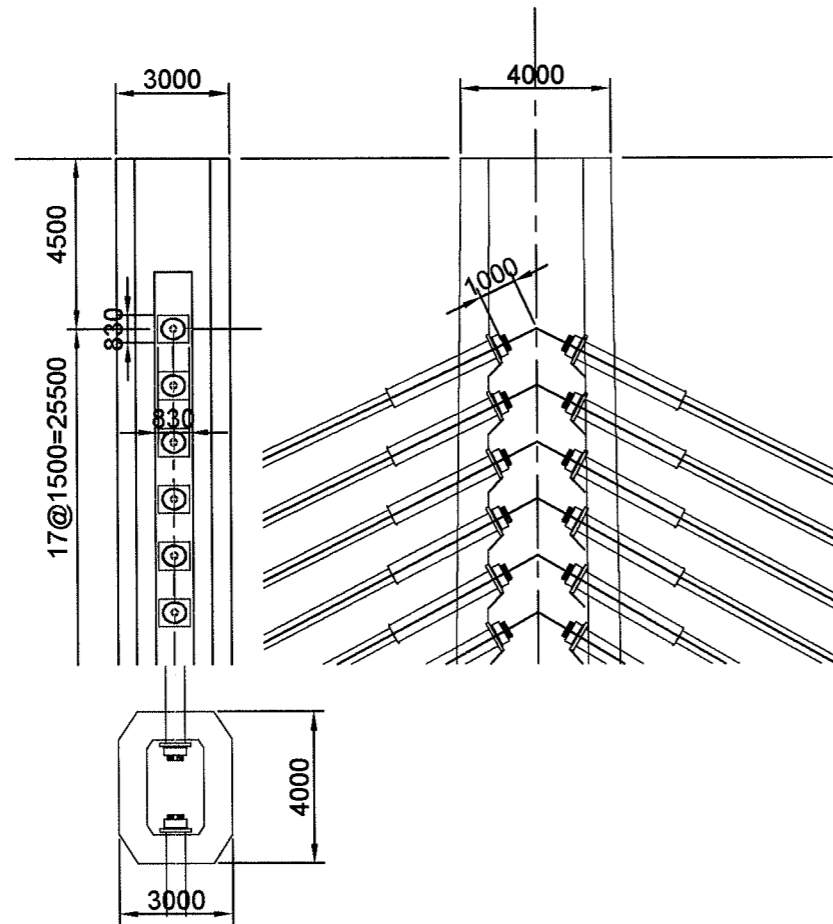


Pylon (Scale : 1/500)

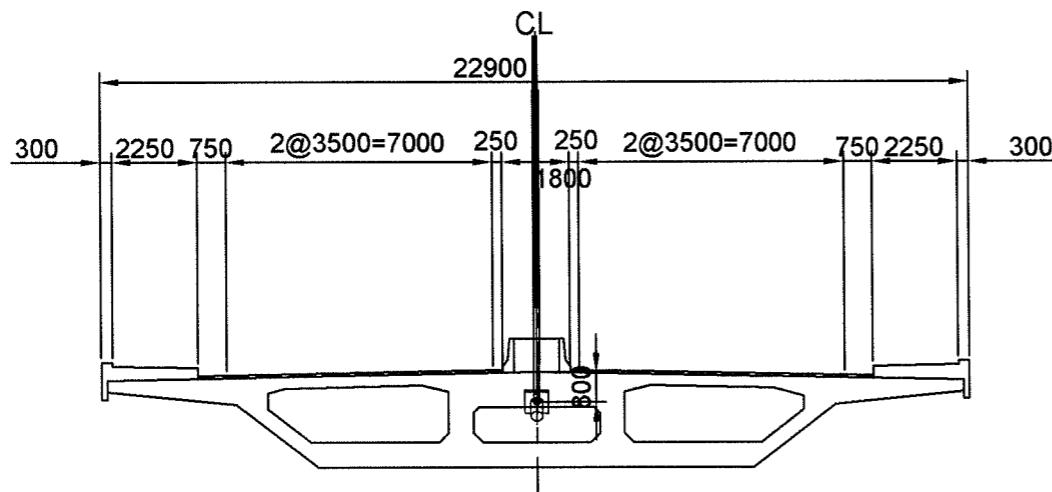
 <p>THE REPUBLIC OF UGANDA MINISTRY OF WORKS AND TRANSPORT UGANDA NATIONAL ROAD AUTHORITY</p>	TITLE	NAME	SIGNATURE	DATE	 JAPAN INTERNATIONAL COOPERATION AGENCY JICA STUDY TEAM ORIENTAL CONSULTANTS CO., LTD. EIGHT- JAPAN ENGINEERING CONSULTANTS INC.	THE FEASIBILITY STUDY ON THE CONSTRUCTION OF A NEW NILE BRIDGE ACROSS RIVER NILE AT JINJA DRAWING TITLE General View of P1 and A2 SCALE: AS SHOWN	PACKAGE	
	PREPARED BY						DRAWING No.	C - 03
	CHECKED BY						SHEET No.	Sheet 1 of 1
	APPROVED BY						Rw.	

Arrangement of PC Cable and Anchor of Stay-cable

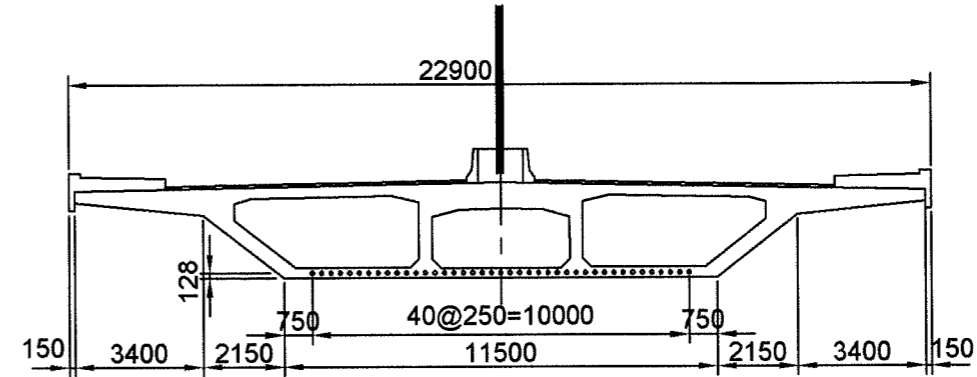
Anchor for Pylon (Scale : 1/200)



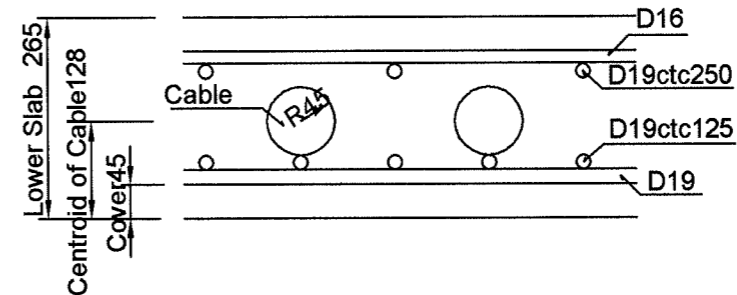
Anchor for Girder (Scale : 1/200)



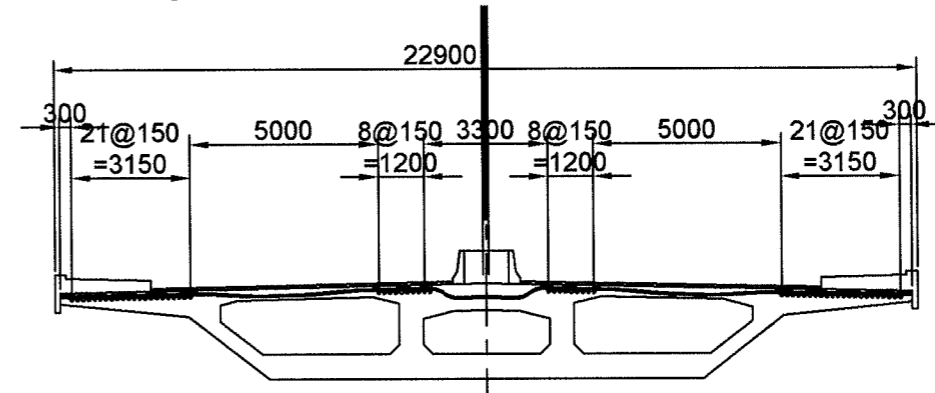
Arrangement of PC Cable, Middle Span Portion (Scale : 1/200)



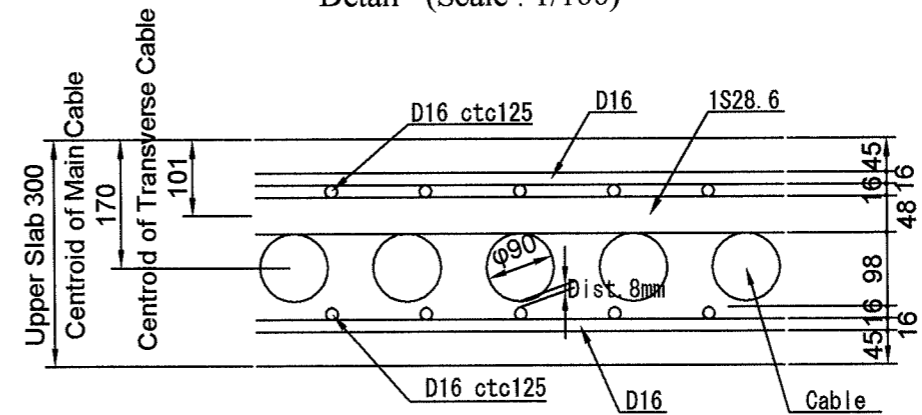
Detail (Scale : 1/100)



Arrangement of PC Cable, Pylon portion (Scale : 1/200)



Detail (Scale : 1/100)



	TITLE	NAME	SIGNATURE	DATE		THE FEASIBILITY STUDY ON THE CONSTRUCTION OF A NEW NILE BRIDGE ACROSS RIVER NILE AT JINJA	PACKAGE	
	PREPARED BY						DRAWING TITLE	DRAWING NO.
	CHECKED BY						Arrangement of PC Cable and Anchor of Stay-cable	C - 04
	APPROVED BY						SCALE: AS SHOWN	SHEET No. Sheet 1 of 1
JICA STUDY TEAM ORIENTAL CONSULTANTS CO., LTD. EIGHT- JAPAN ENGINEERING CONSULTANTS INC.							Rev.	