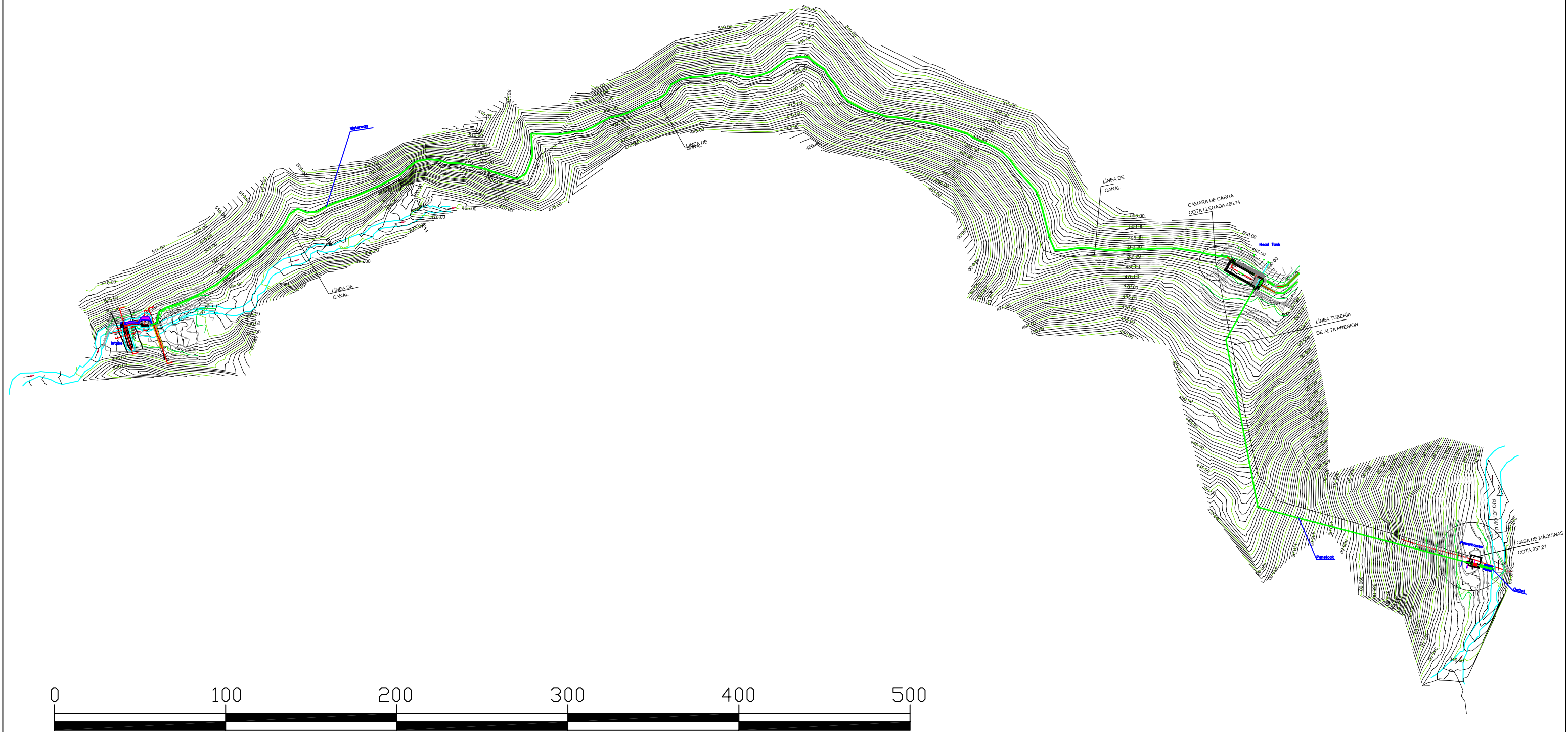
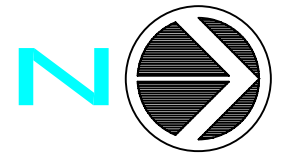


JOLOM IJIX



JAPAN INTERNATIONAL COOPERATION AGENCY

PROJECT & LOCATION:

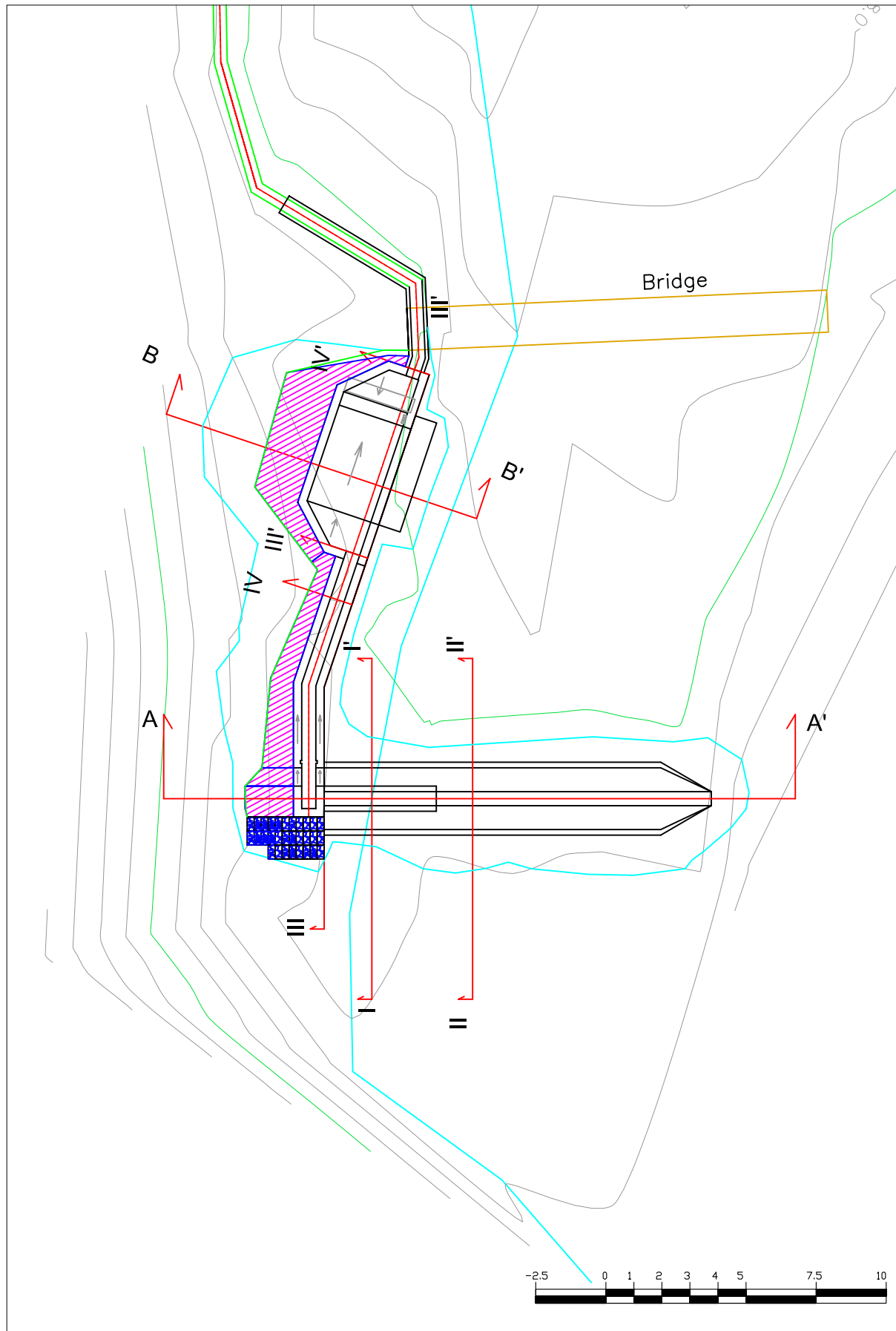
Preparatory Survey on the Project for Promotion of Production Activities by Clean Energy in the North Villages The Republic of Guatemala

SHEET CONTENTS

Jolom Ijix Micro Hydropower Project
Plan View
(Scale: As Drawing)

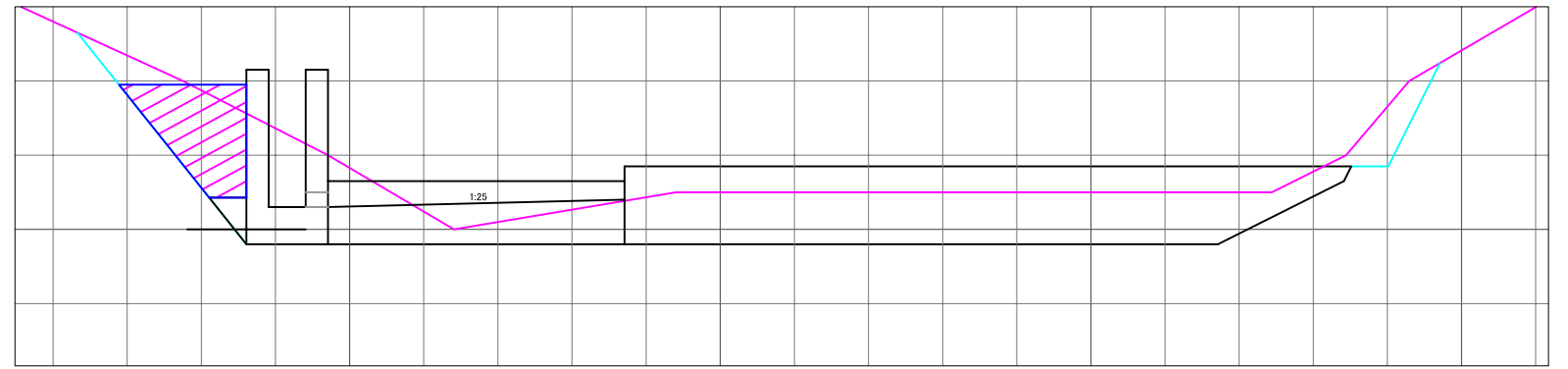
DRAWING NO.

J-G-001



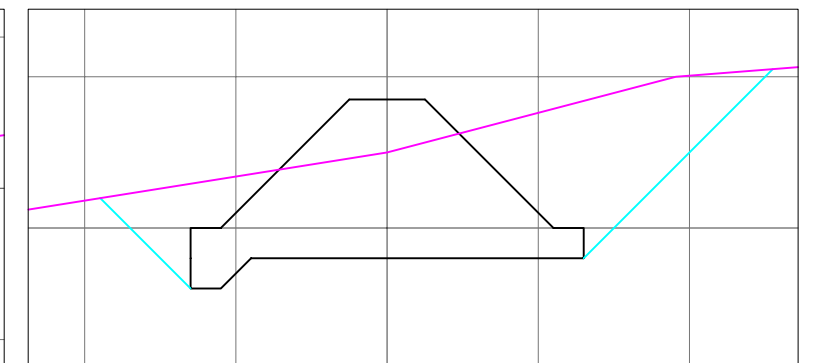
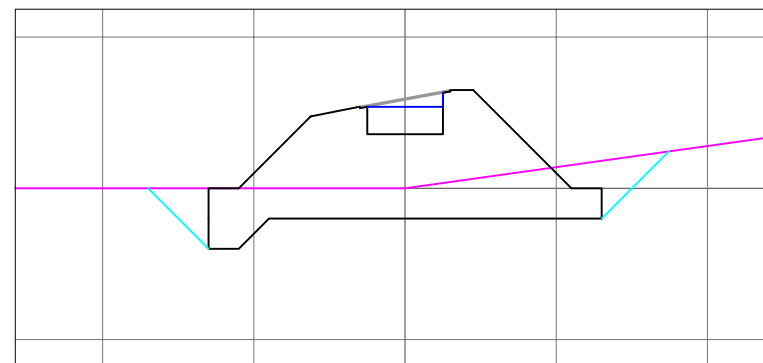
Plan

(S=1:200)



(S=1:100)

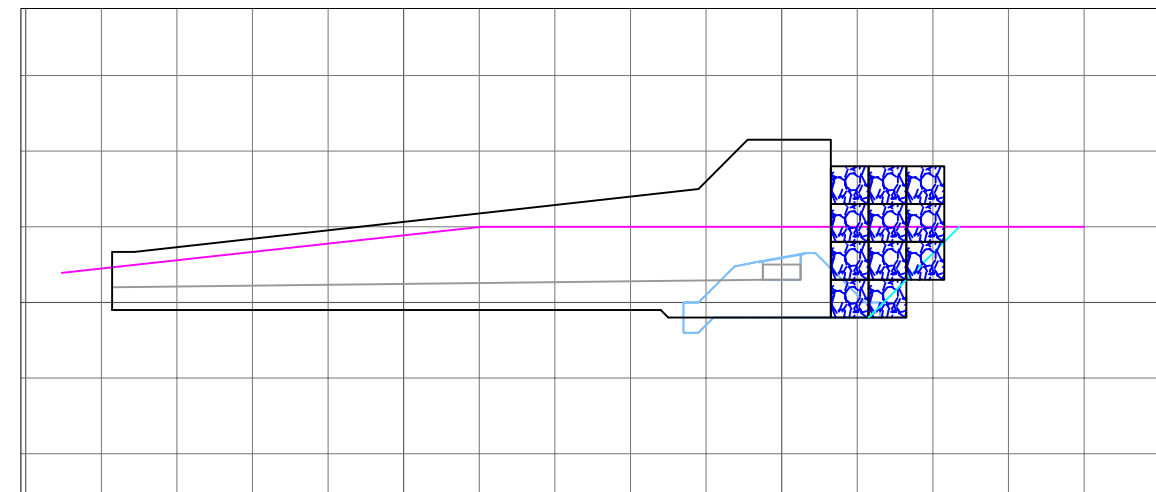
Weir Axis Section



(S=1:50)

Intake Section

Higher Section



(S=1:100)

Along Waterway Wall



JAPAN INTERNATIONAL COOPERATION AGENCY

PROJECT & LOCATION:

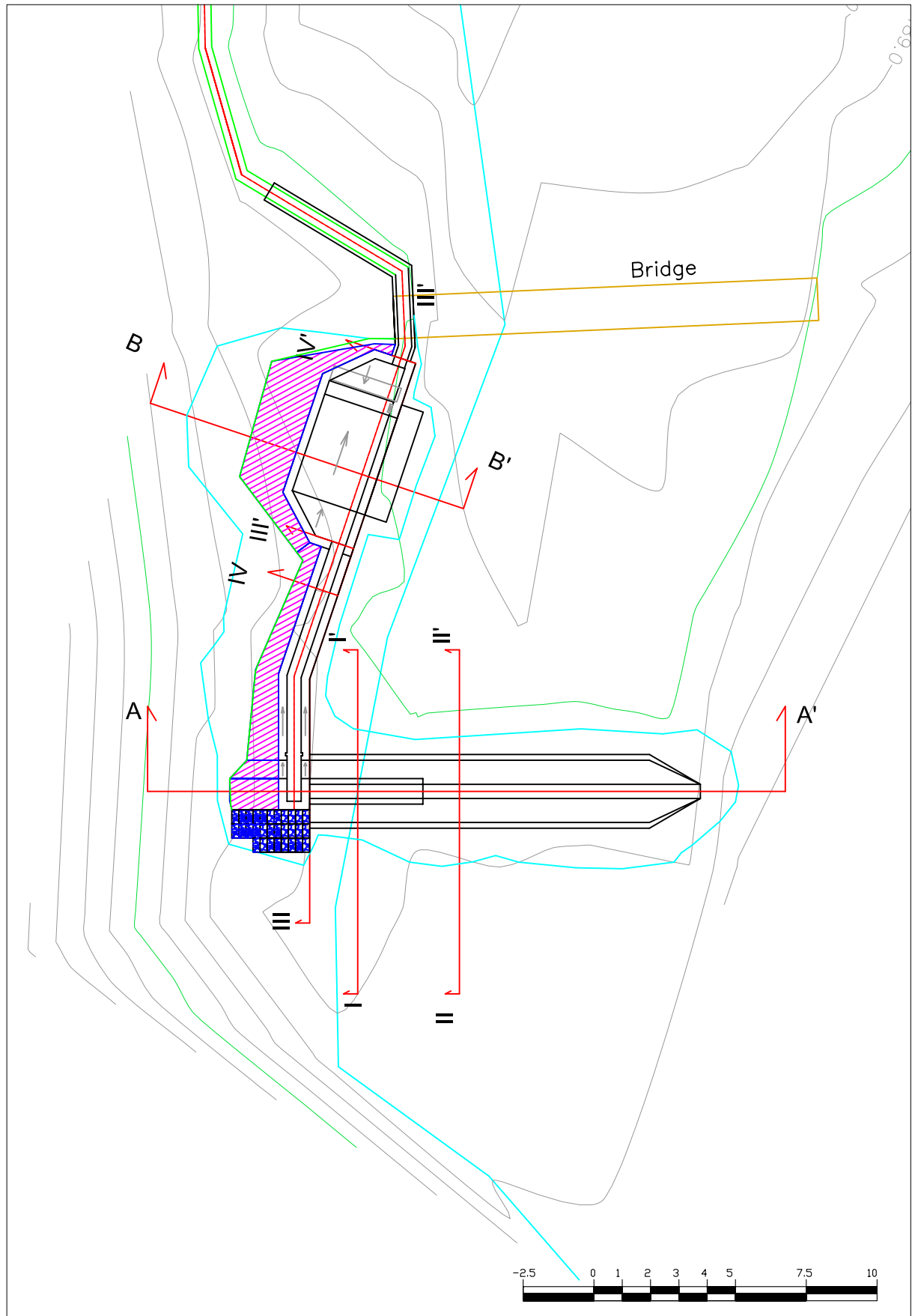
Preparatory Survey on the Project for Promotion of Production Activities by Clean Energy in the North Villages The Republic of Guatemala

SHEET CONTENTS

Jolom Ijix Micro Hydropower Project
INTAKE WEIR
(Scale: As Drawing)

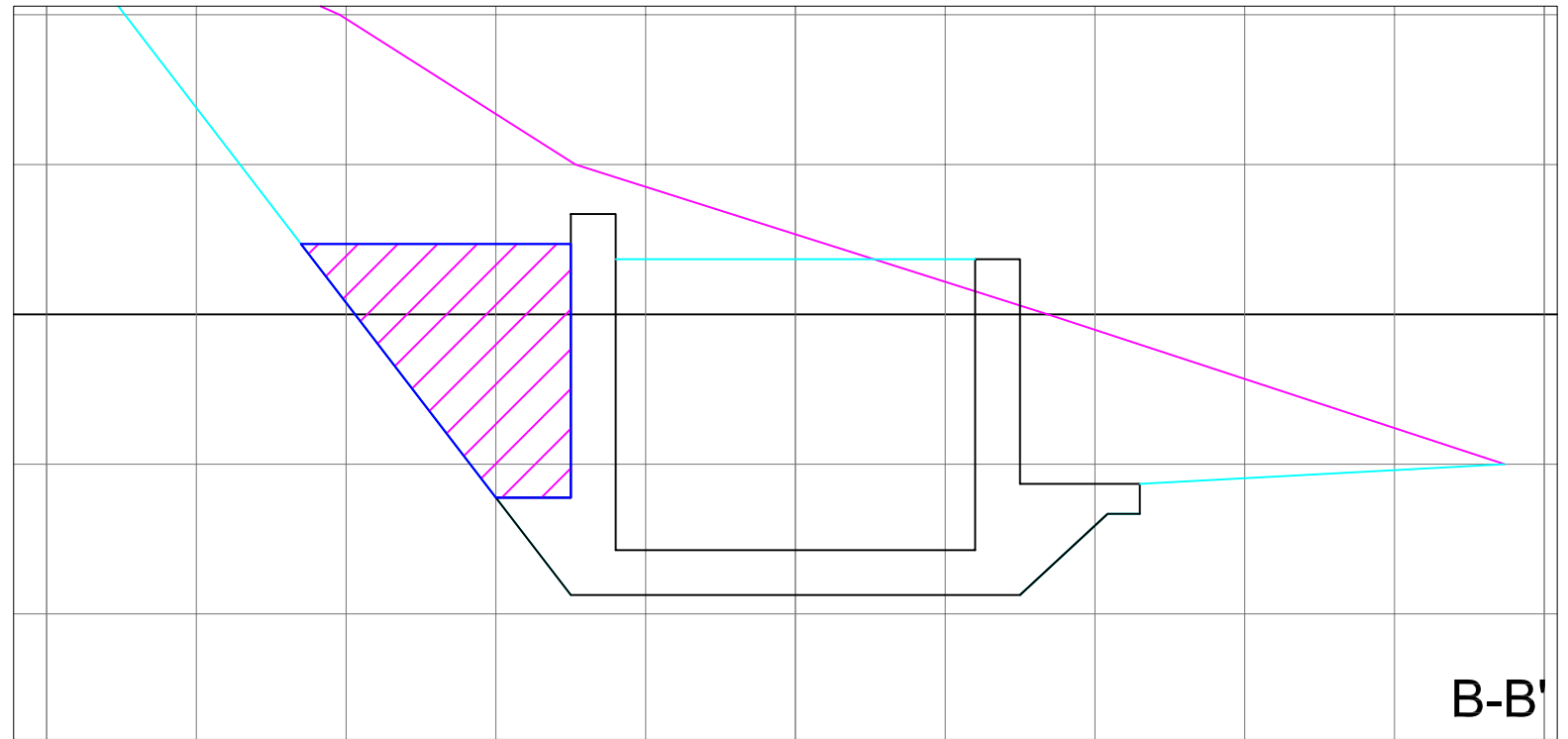
DRAWING NO.

J-C-001



Plan

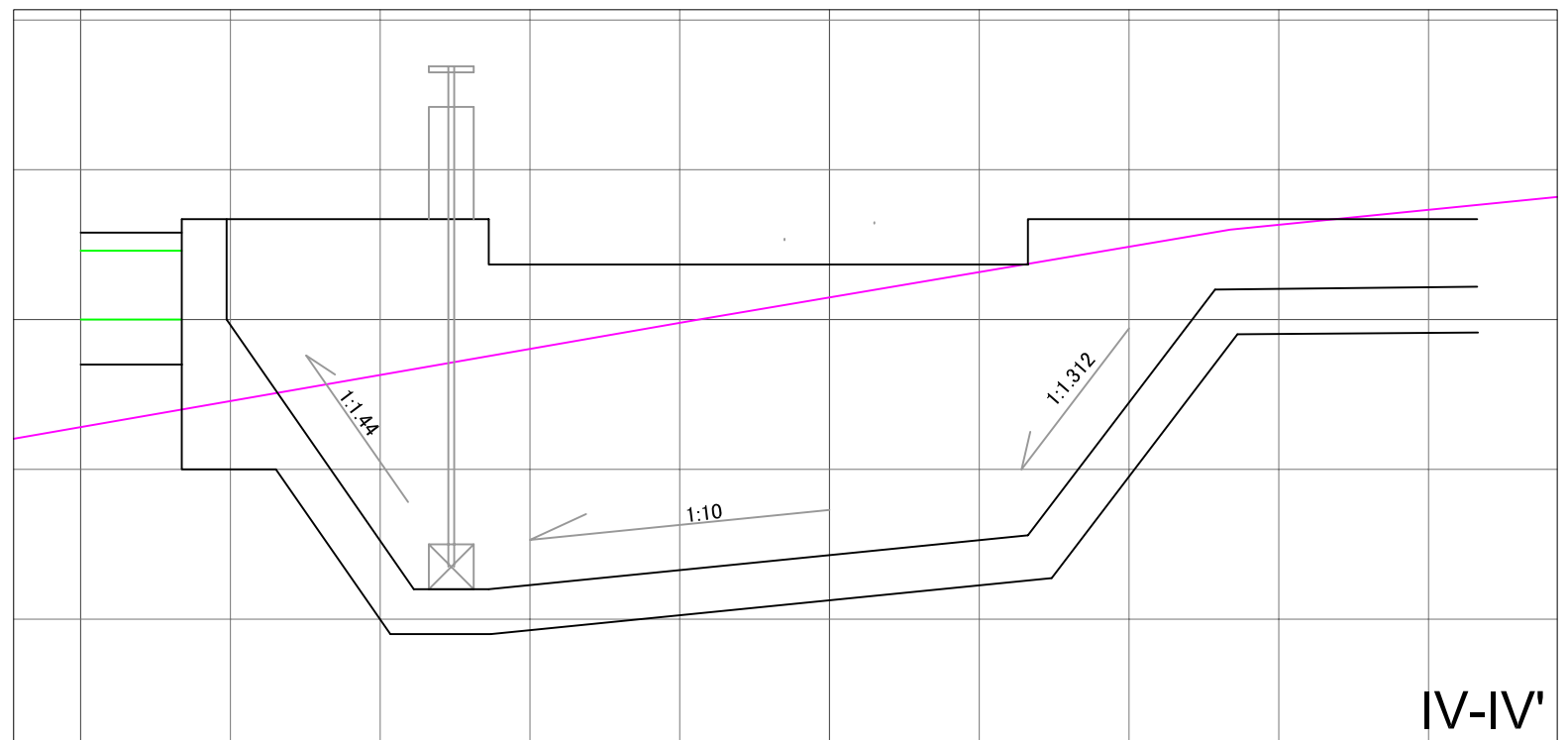
(S=1:200)



B-B'

(S=1:50)

Section



IV-IV'

(S=1:50)

Longitudinal Profile



JAPAN INTERNATIONAL COOPERATION AGENCY

PROJECT & LOCATION:

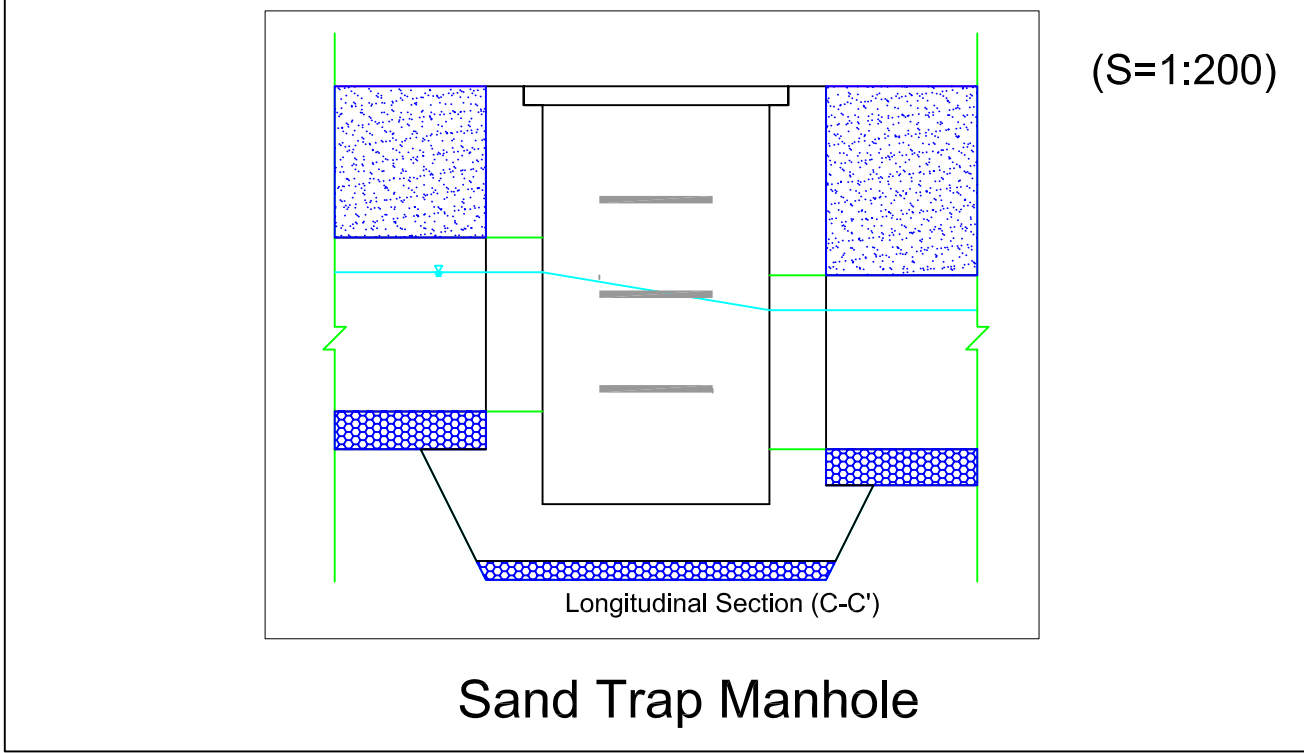
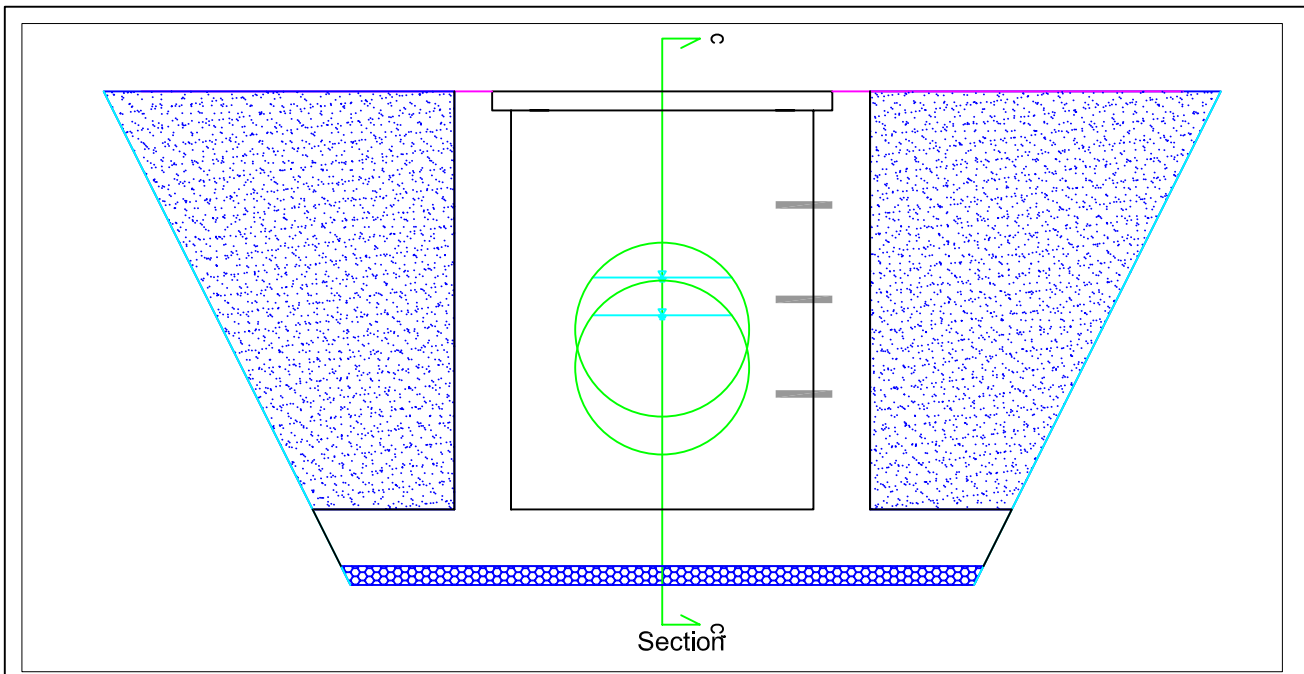
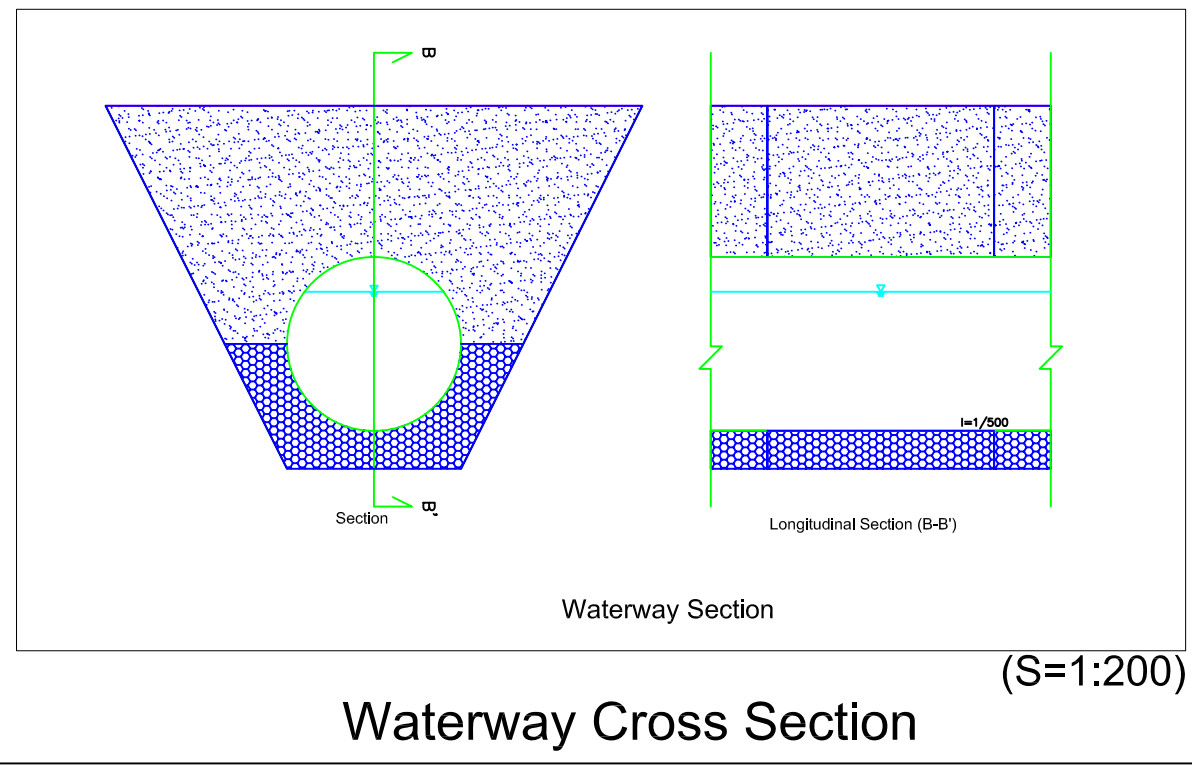
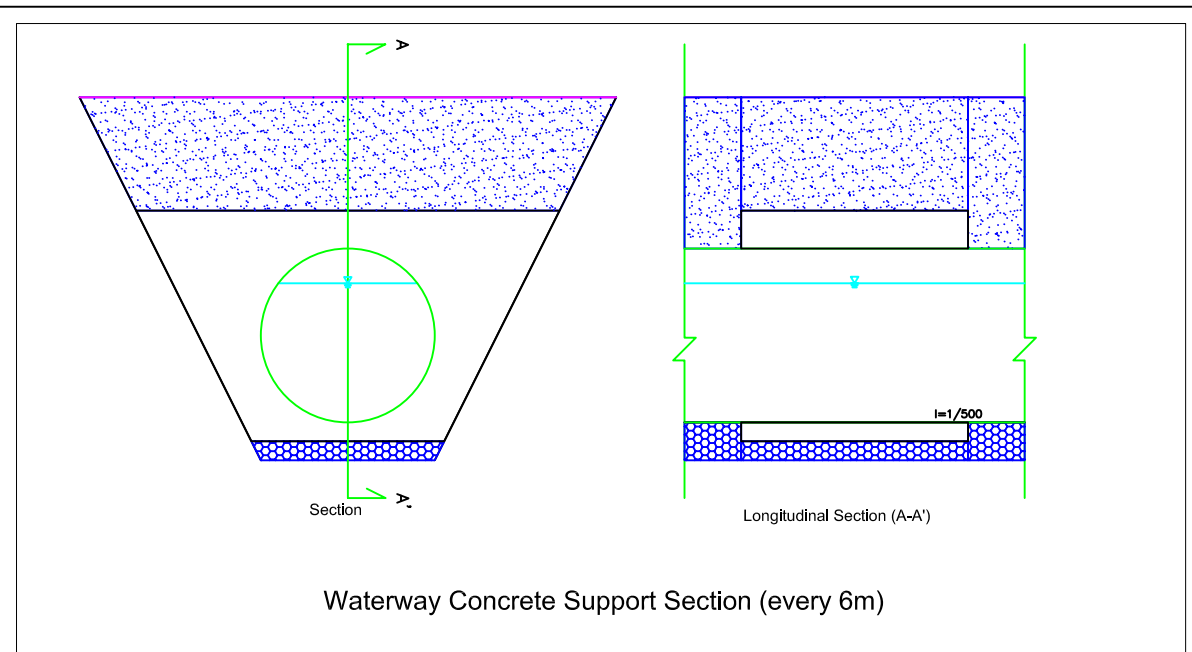
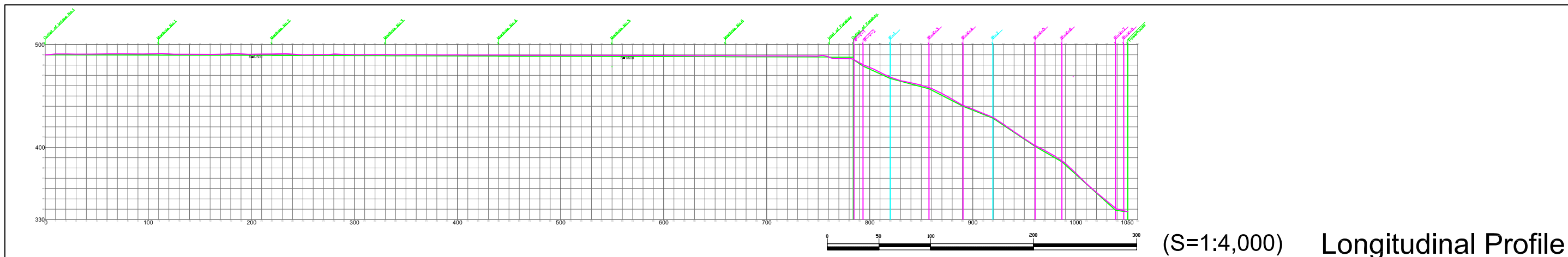
Preparatory Survey on the Project for Promotion of Production Activities by Clean Energy in the North Villages The Republic of Guatemala

SHEET CONTENTS

Jolom Ijix Micro Hydropower Project INTAKE WEIR – Stilling Basin (Scale; As Drawing)

DRAWING NO.

J-C-002

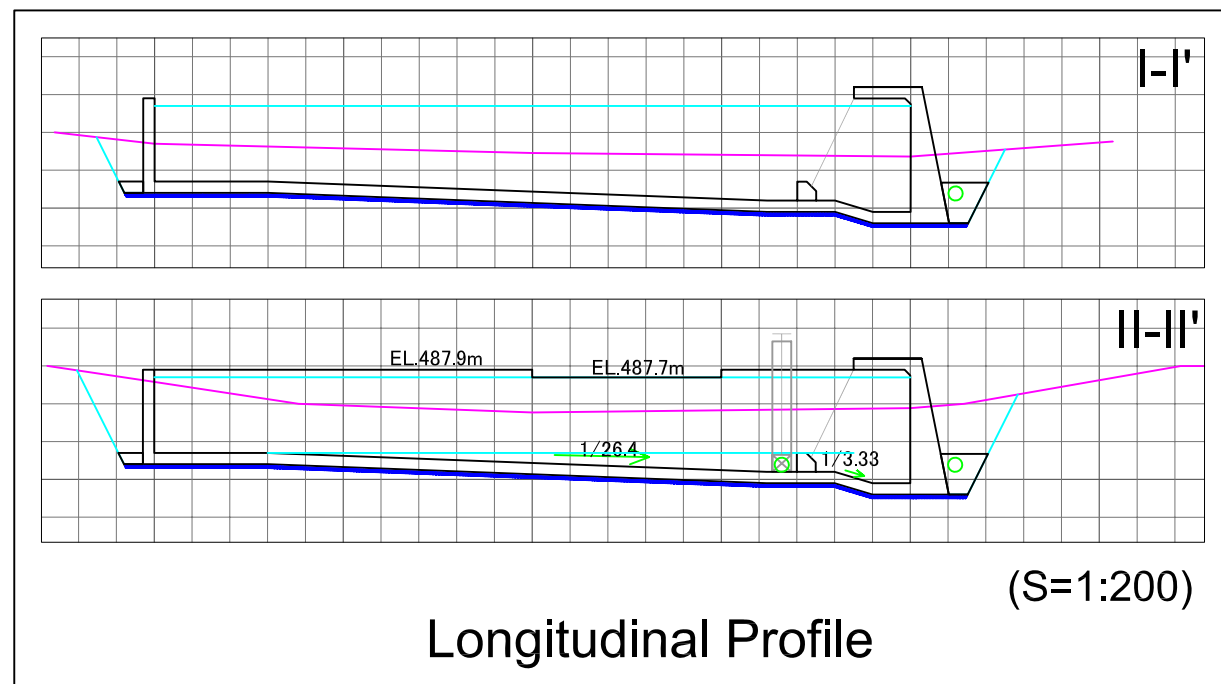
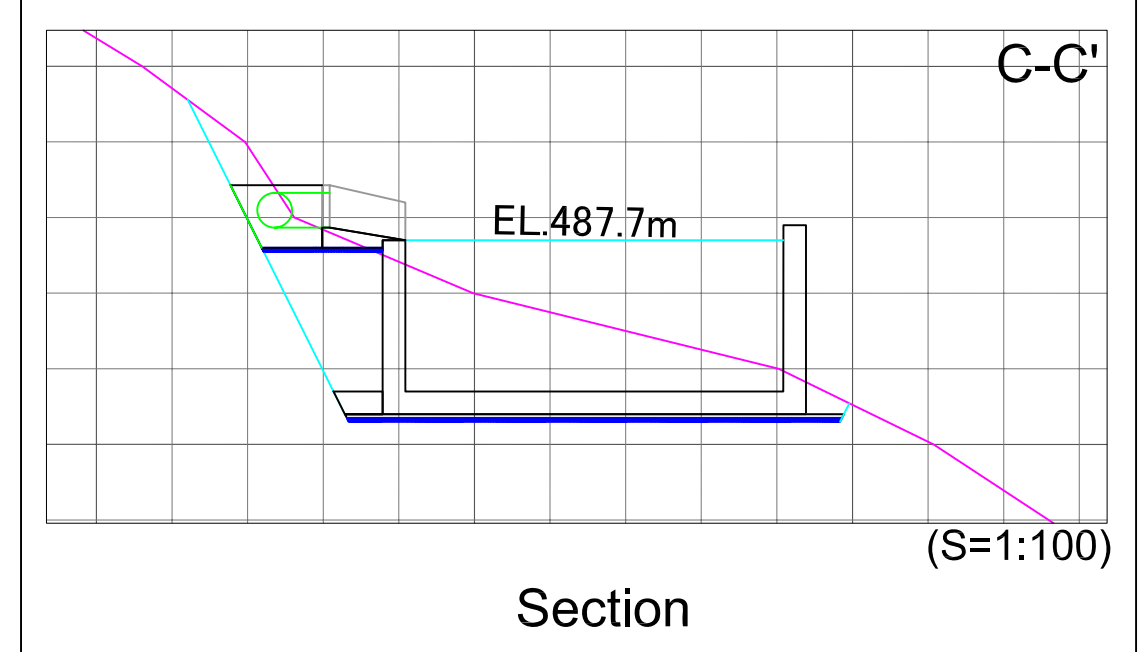
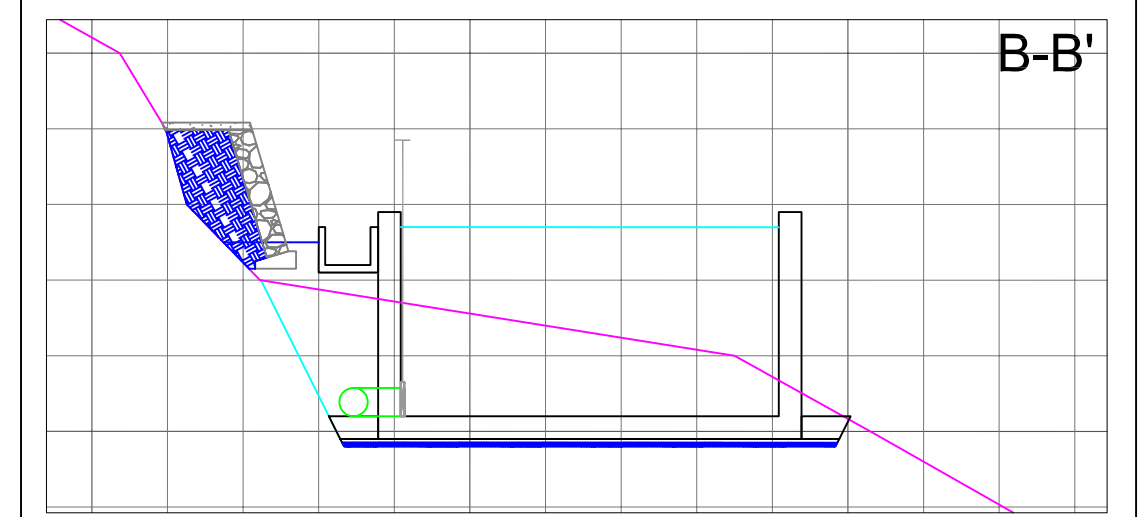
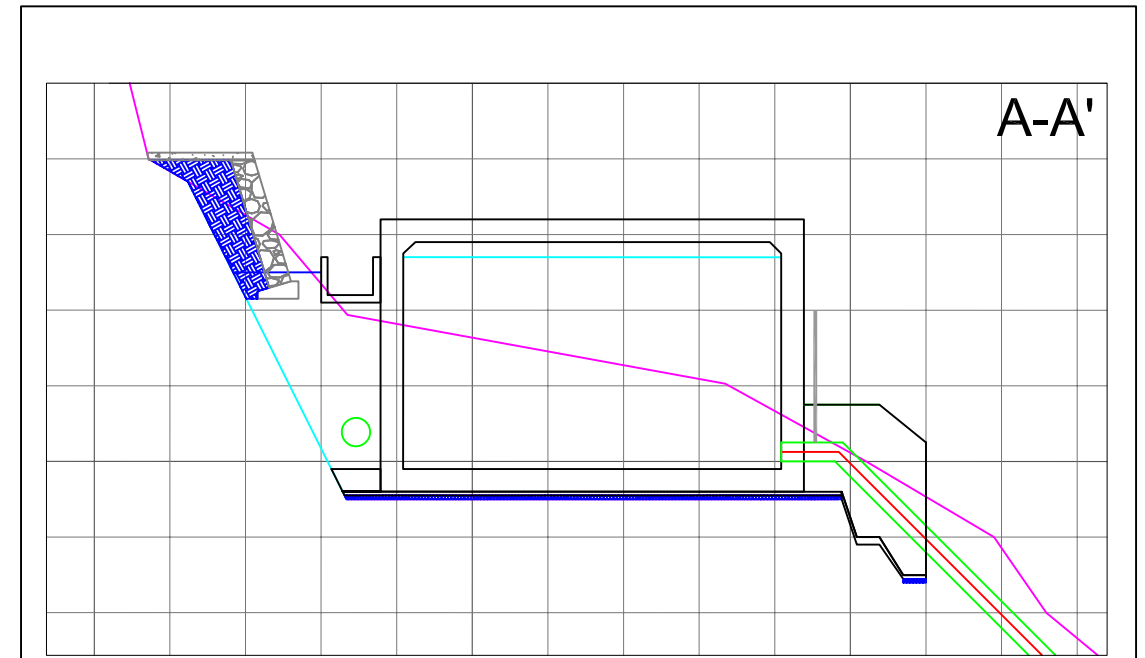
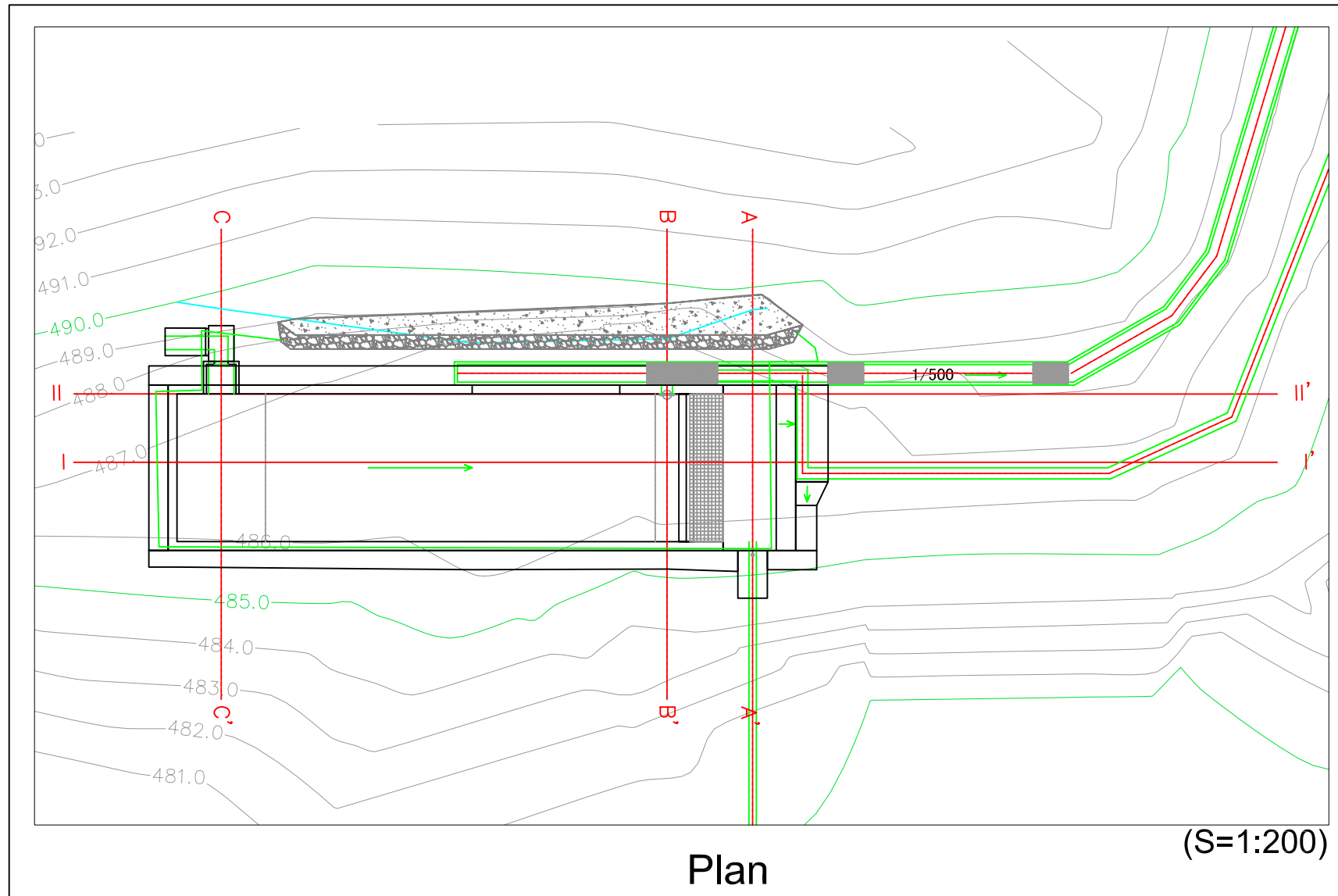


JAPAN INTERNATIONAL COOPERATION AGENCY

PROJECT & LOCATION:
 Preparatory Survey on the Project for Promotion of
 Production Activities by Clean Energy in the North Villages
 The Republic of Guatemala

SHEET CONTENTS
 Jolom Ijix Micro Hydropower Project
 Waterway(1) – Longitudinal Profile
 (Scale: As Drawing)

DRAWING NO.
 J-C-003



JAPAN INTERNATIONAL COOPERATION AGENCY

PROJECT & LOCATION:

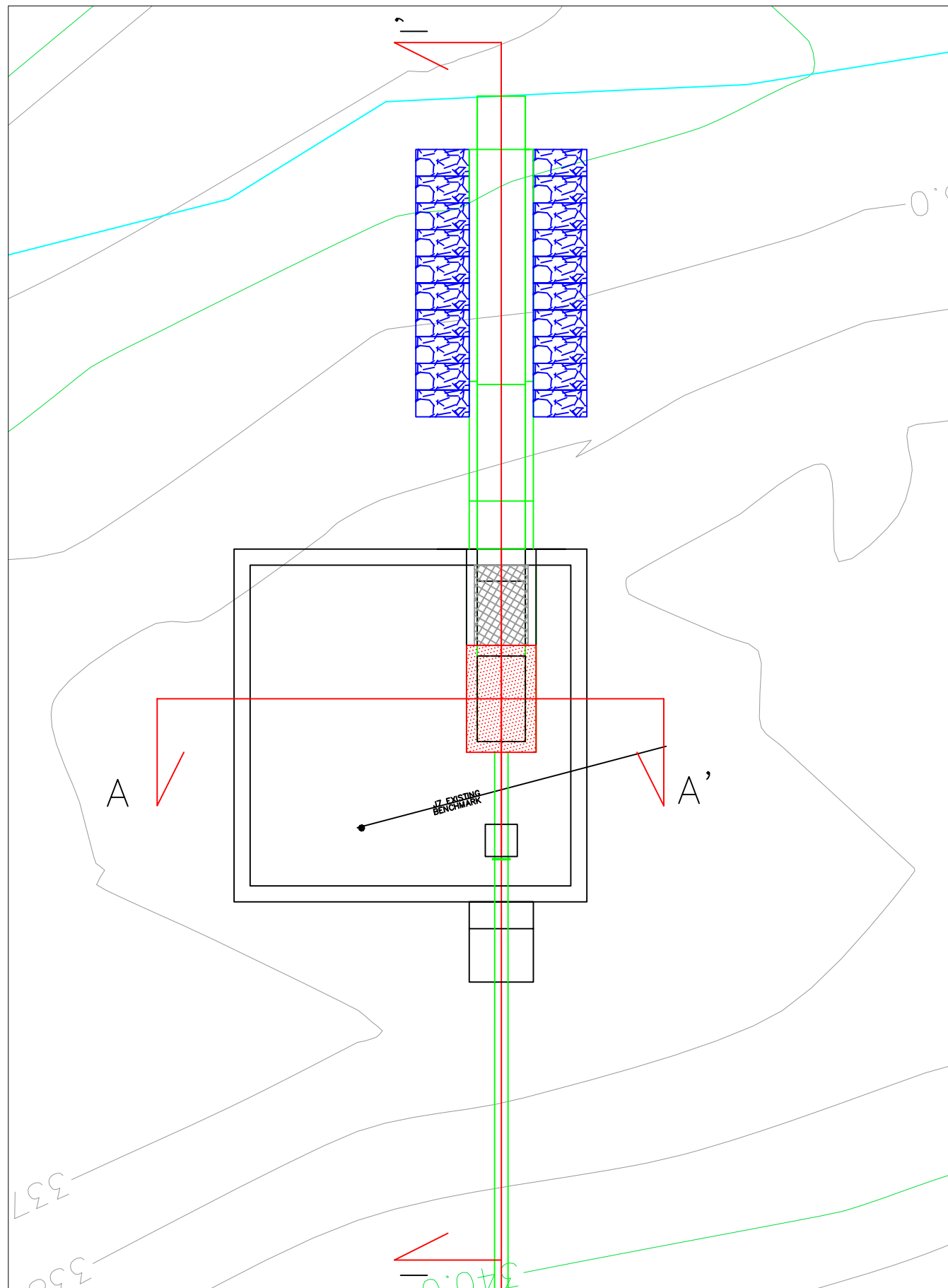
Preparatory Survey on the Project for Promotion of Production Activities by Clean Energy in the North Villages The Republic of Guatemala

SHEET CONTENTS

Jolom Ijix Micro Hydropower Project Head Tank (Scale: As Drawing)

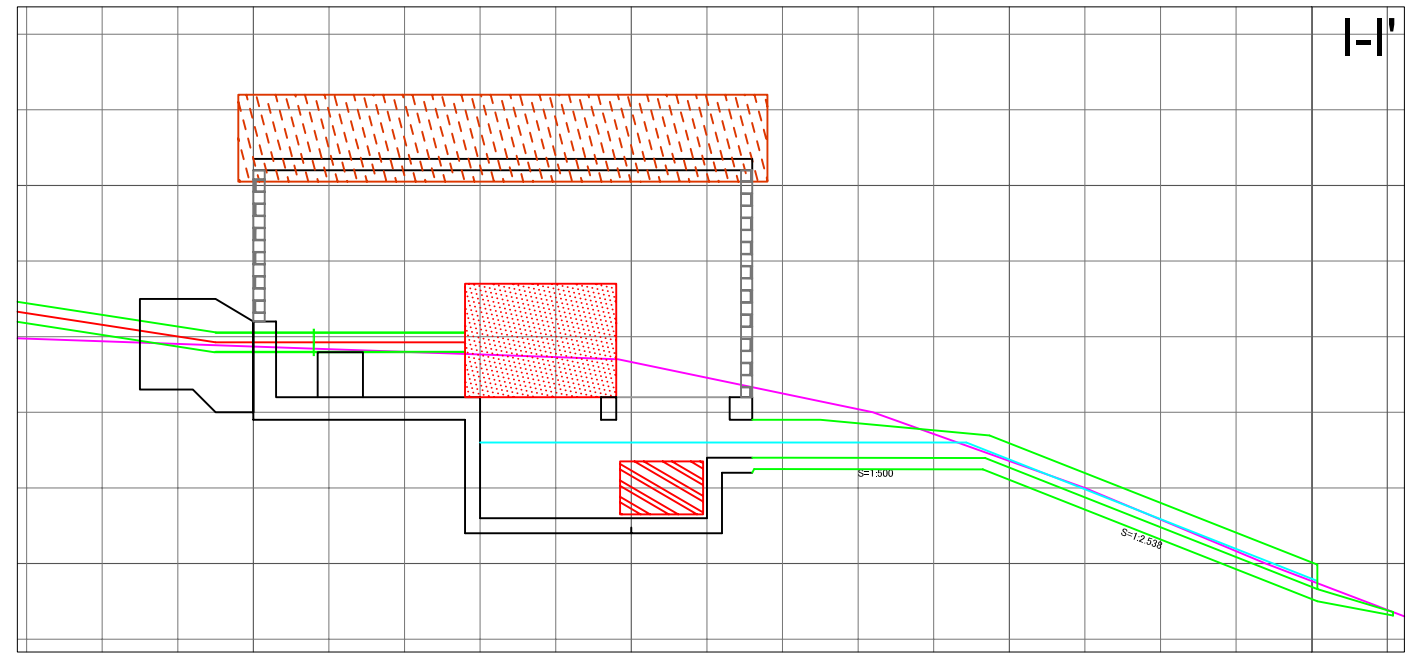
DRAWING NO.

J-C-004



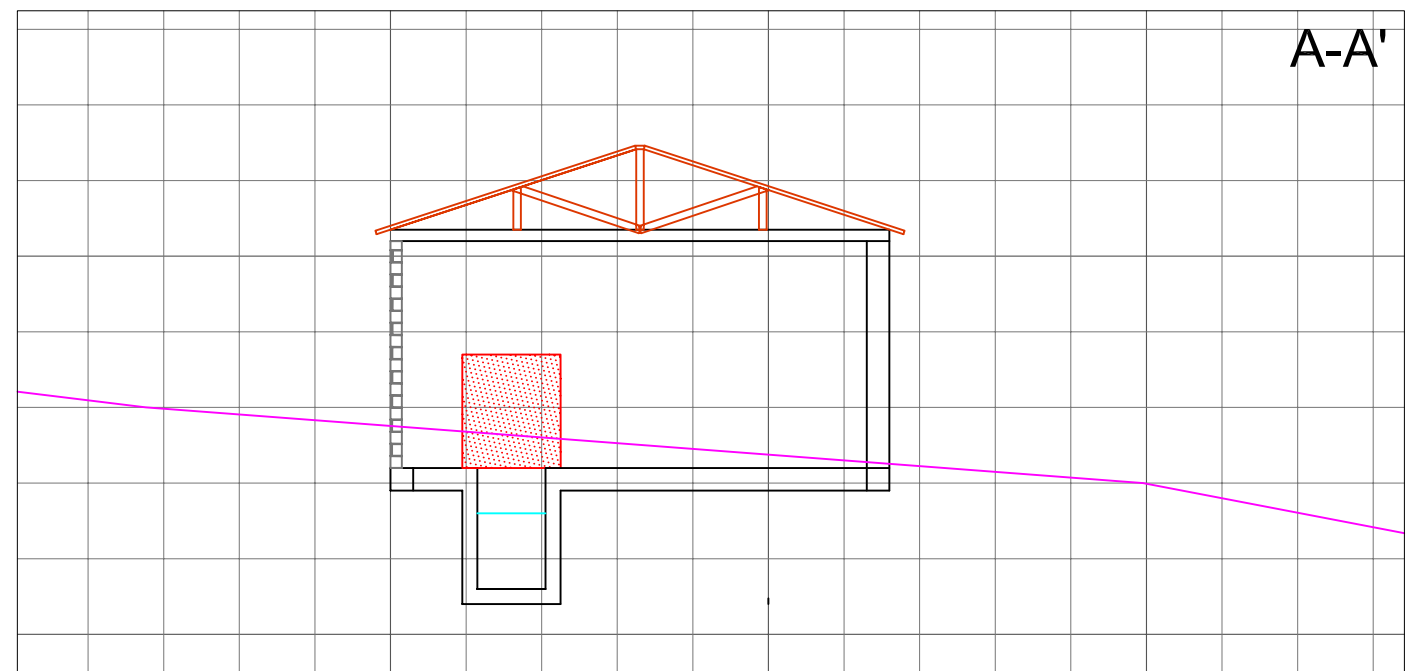
Plan

(S=1:100)



Longitudinal Profile

(S=1:100)



Section

(S=1:100)



JAPAN INTERNATIONAL COOPERATION AGENCY

PROJECT & LOCATION:

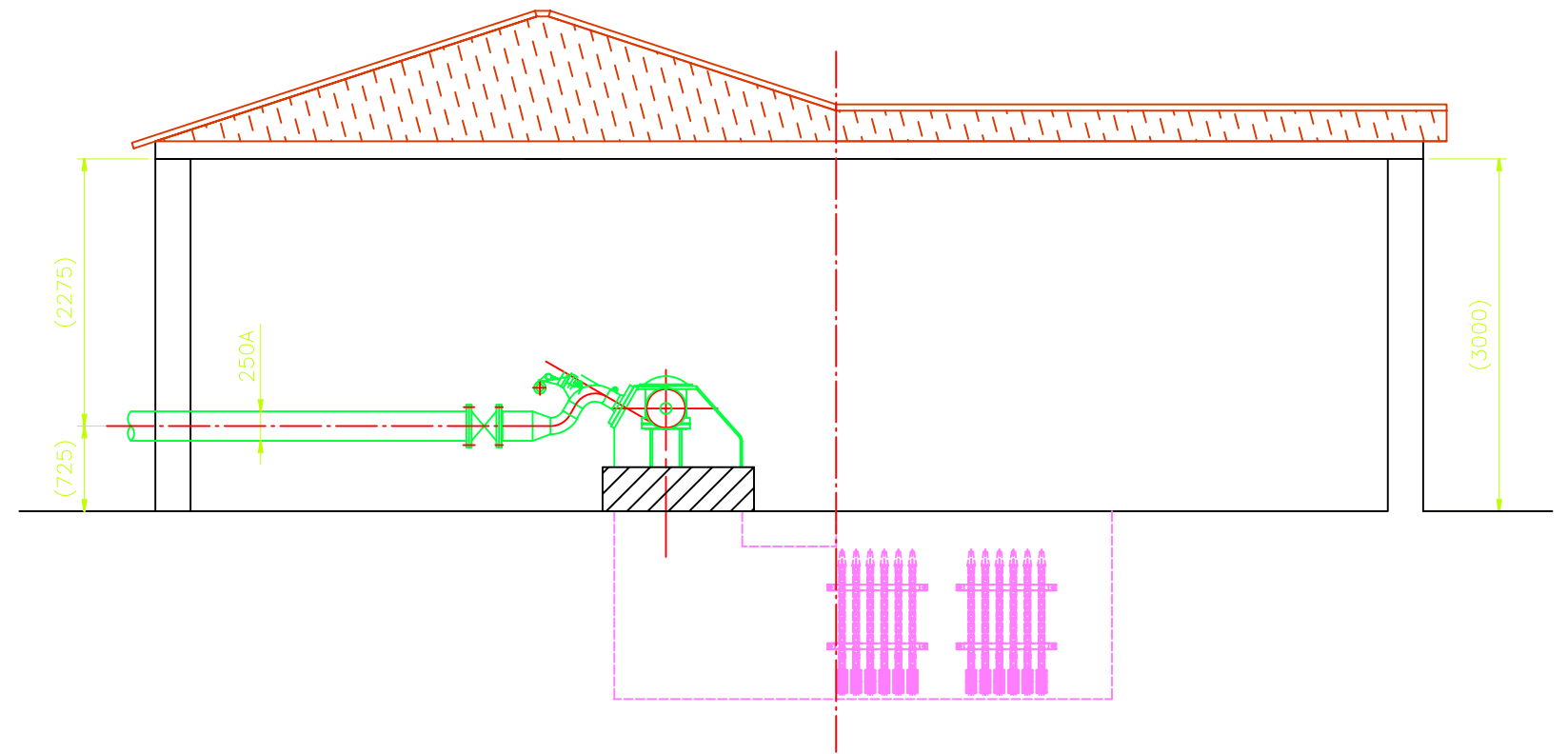
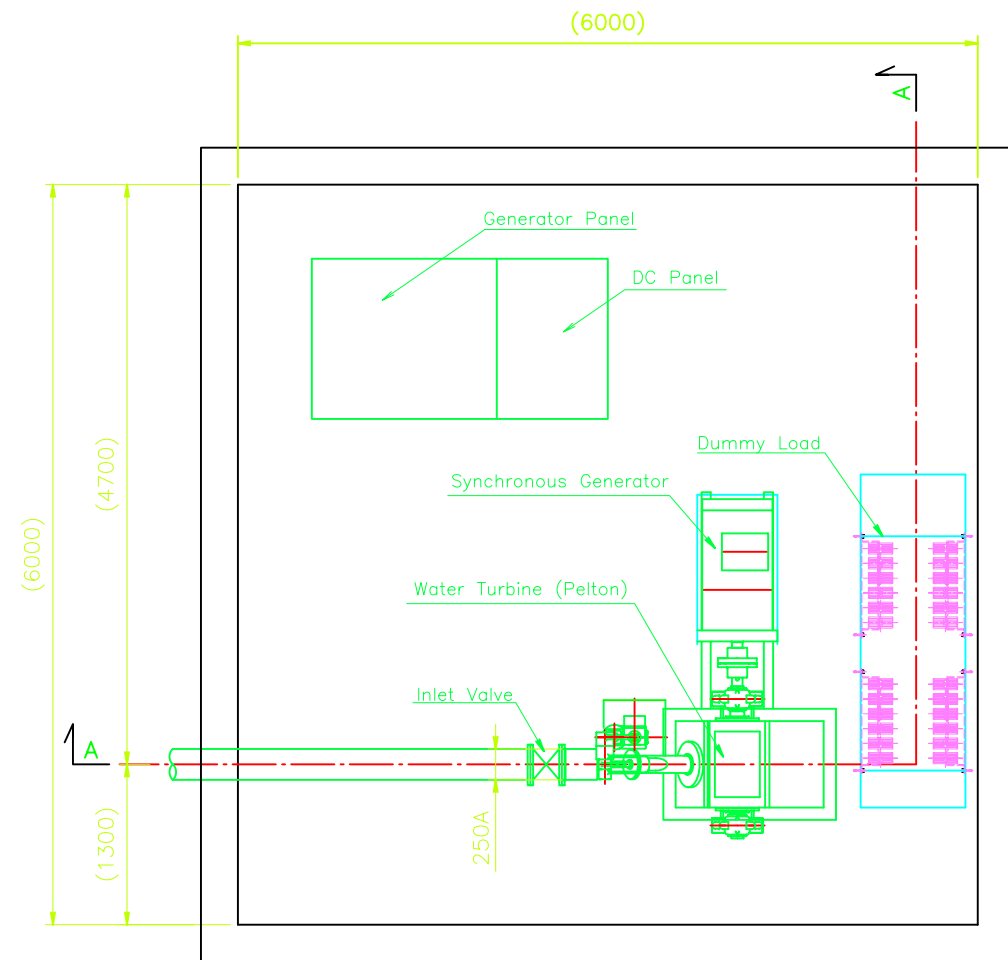
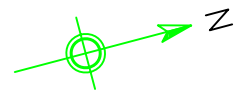
Preparatory Survey on the Project for Promotion of Production Activities by Clean Energy in the North Villages The Republic of Guatemala

SHEET CONTENTS

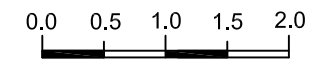
Jolom Ijix Micro Hydropower Project Powerhouse and Outlet (Scale: S=1:40)

DRAWING NO.

J-C-005



A - A



	Turbine Discharge (m ³ /s)	Effective Head (m)	Speed (min ⁻¹)	Rated Capacity (kVA)
Jolom Ijix	0.10	145.0	1200	120



JAPAN INTERNATIONAL COOPERATION AGENCY

PROJECT & LOCATION:

Preparatory Survey on the Project for Promotion of
Production Activities by Clean Energy in the North Villages
The Republic of Guatemala

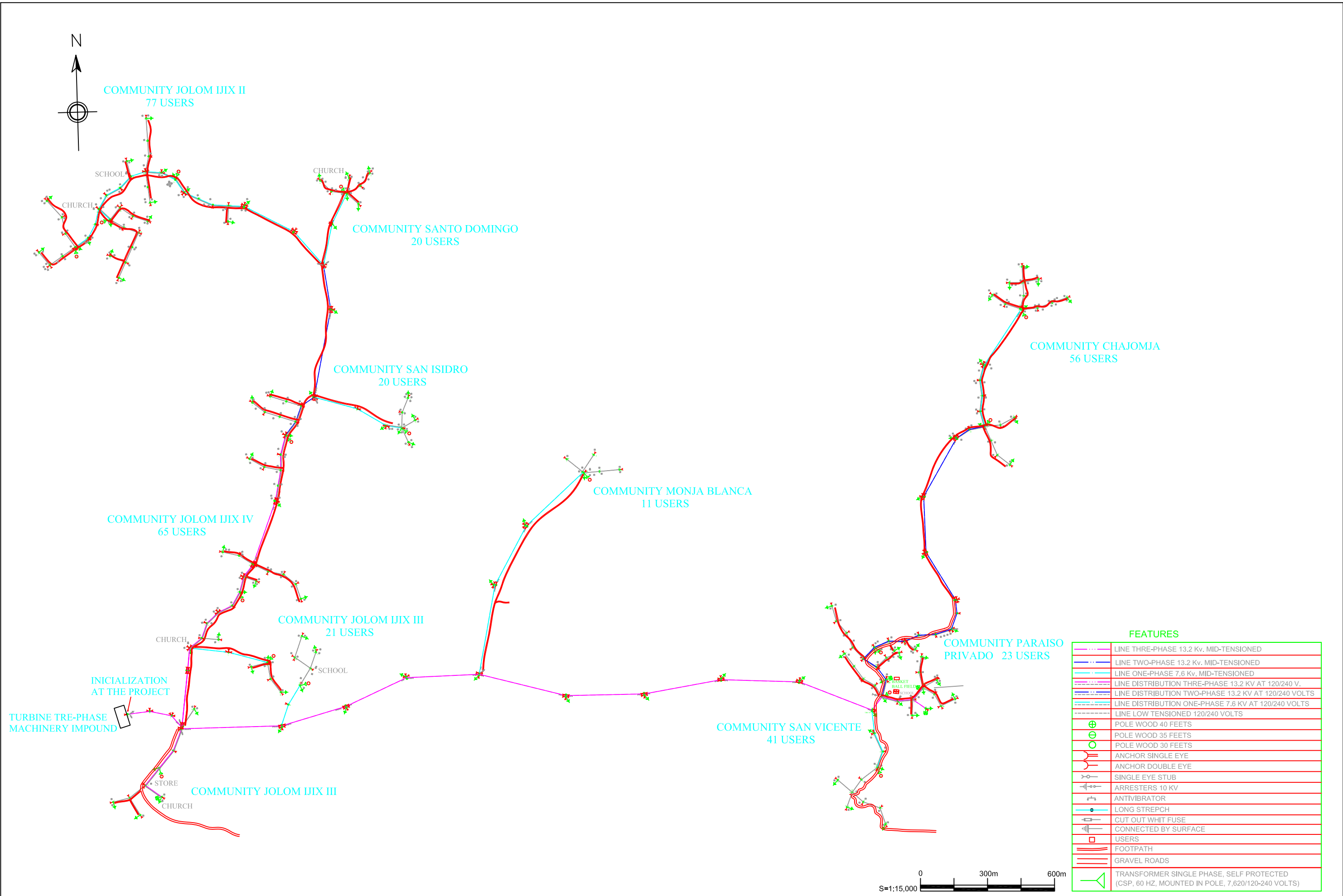
SHEET CONTENTS

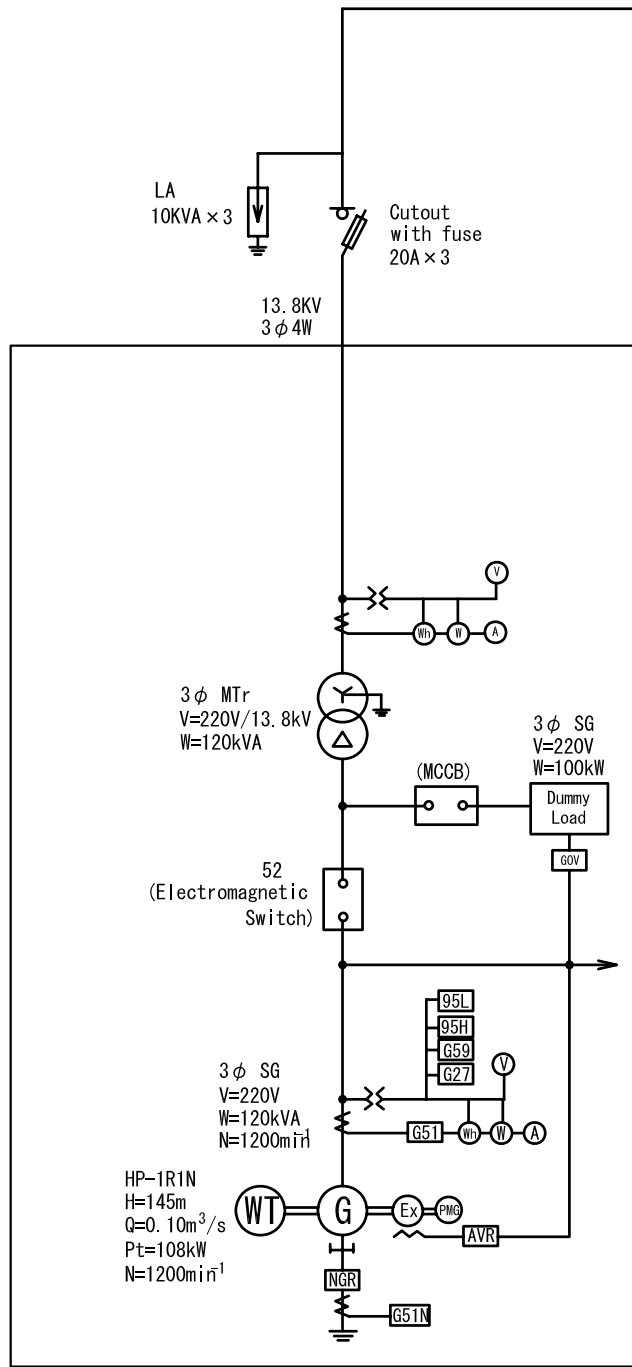
Jolom Ijix Micro Hydro Power Project
Layout Plan in the Powerhouse

DRAWING NO.

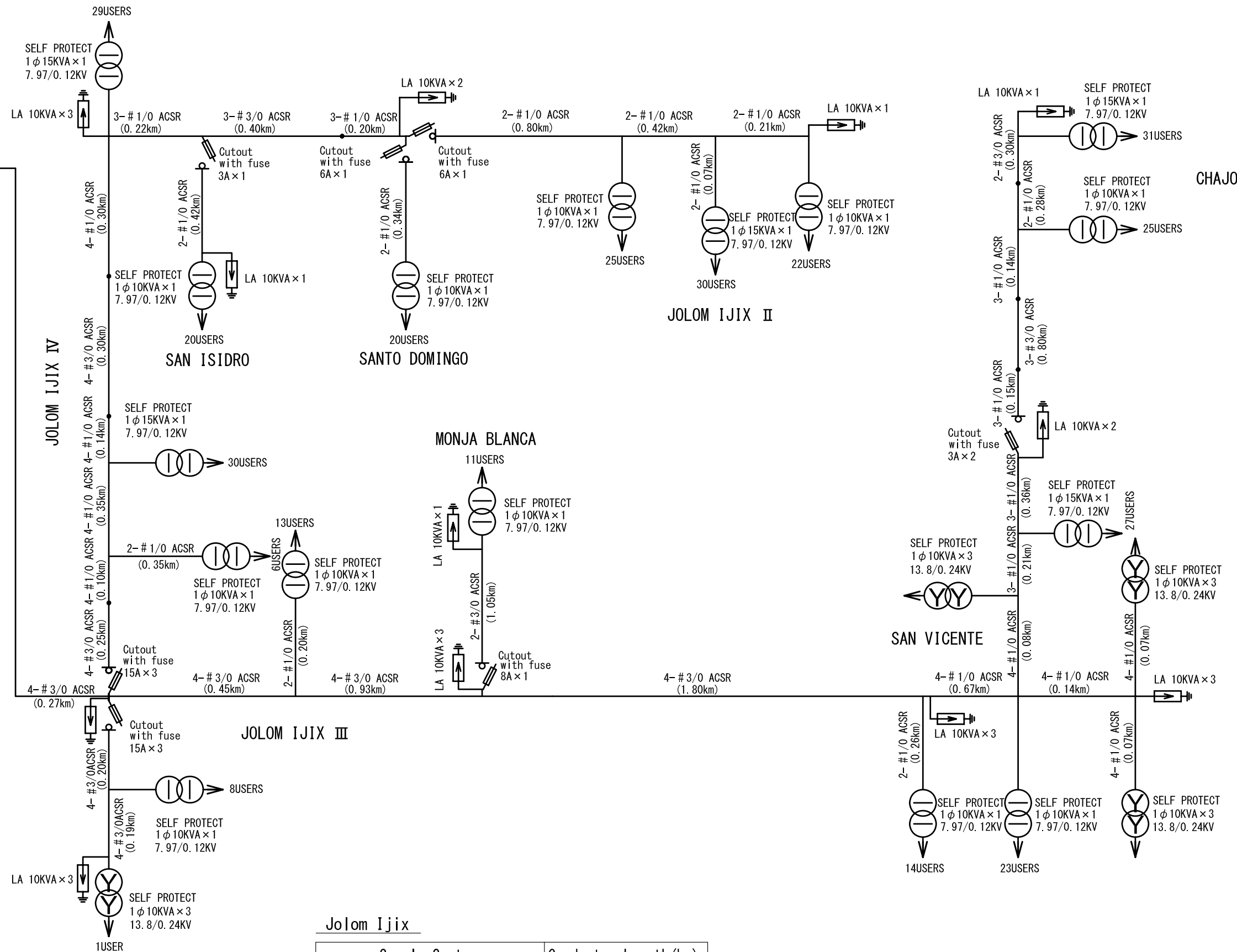
J-E-001

(S=1:60)





Jolom Ijix Power Station



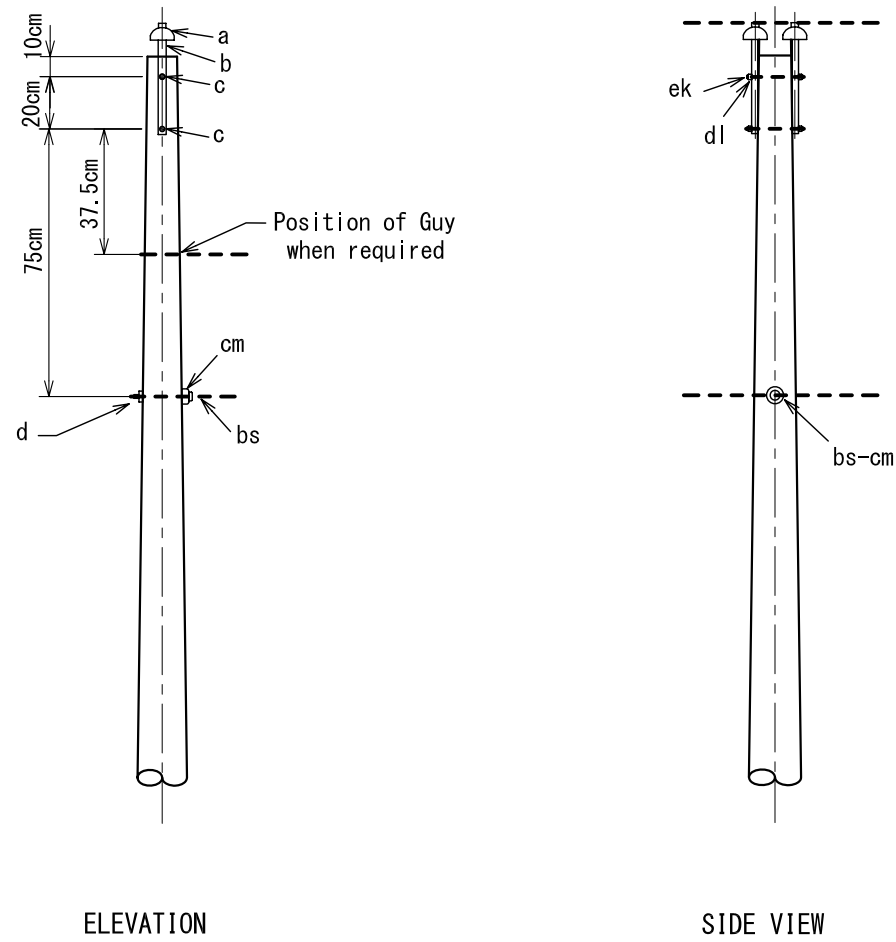
Jolom Ijix

Supply System	Conductor Length (km)
Three (3) Phase Four (4) Wire	5.71
Two (2) Phase Three (3) Wire	2.46
Single (1) Phase Two (2) Wire	4.71
Total	12.88

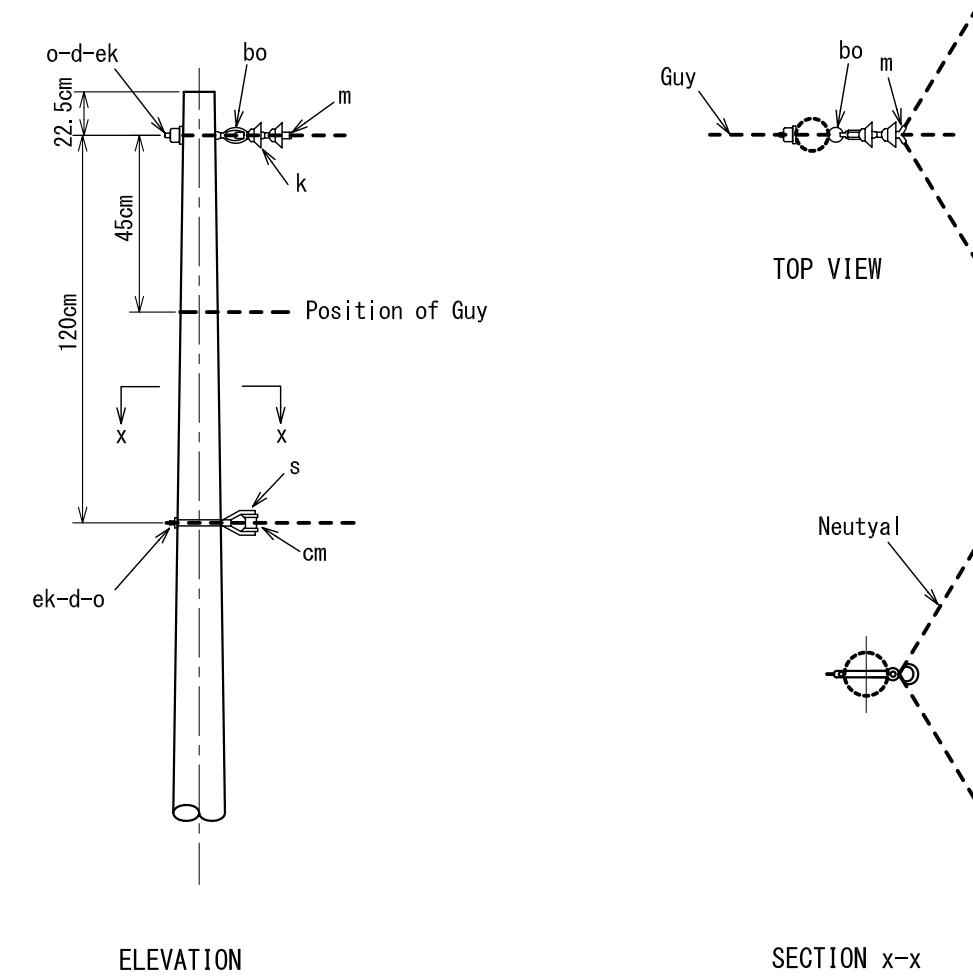


Los Tres Sitios de Proyecto

7. 97/13. 8kV. PRIMARY, SINGLE PHASE 0° TO 5° ANGLE



7. 97/13. 8kV. PRIMARY, SINGLE PHASE 30° TO 60° ANGLE



Item	Materials	Item	Materials
a-	Pin type insulator	cm-	1 3/4" dia x 1 1/2" pipe spacer
b-	20" Pole top pin	dl-	3/4" dia x 1 1/2" pipe spacer
c-	5/8" x 12" Machine bolts	ek-	5/8" locknut
d-	3/16" x 2 1/4" - 13/16" hole washer	bv-	1 Armor rod (single support)*
bs-	9" Single upset bolt	bv-	2 Armor rod (double support)*
Tw-	Tie wire*		

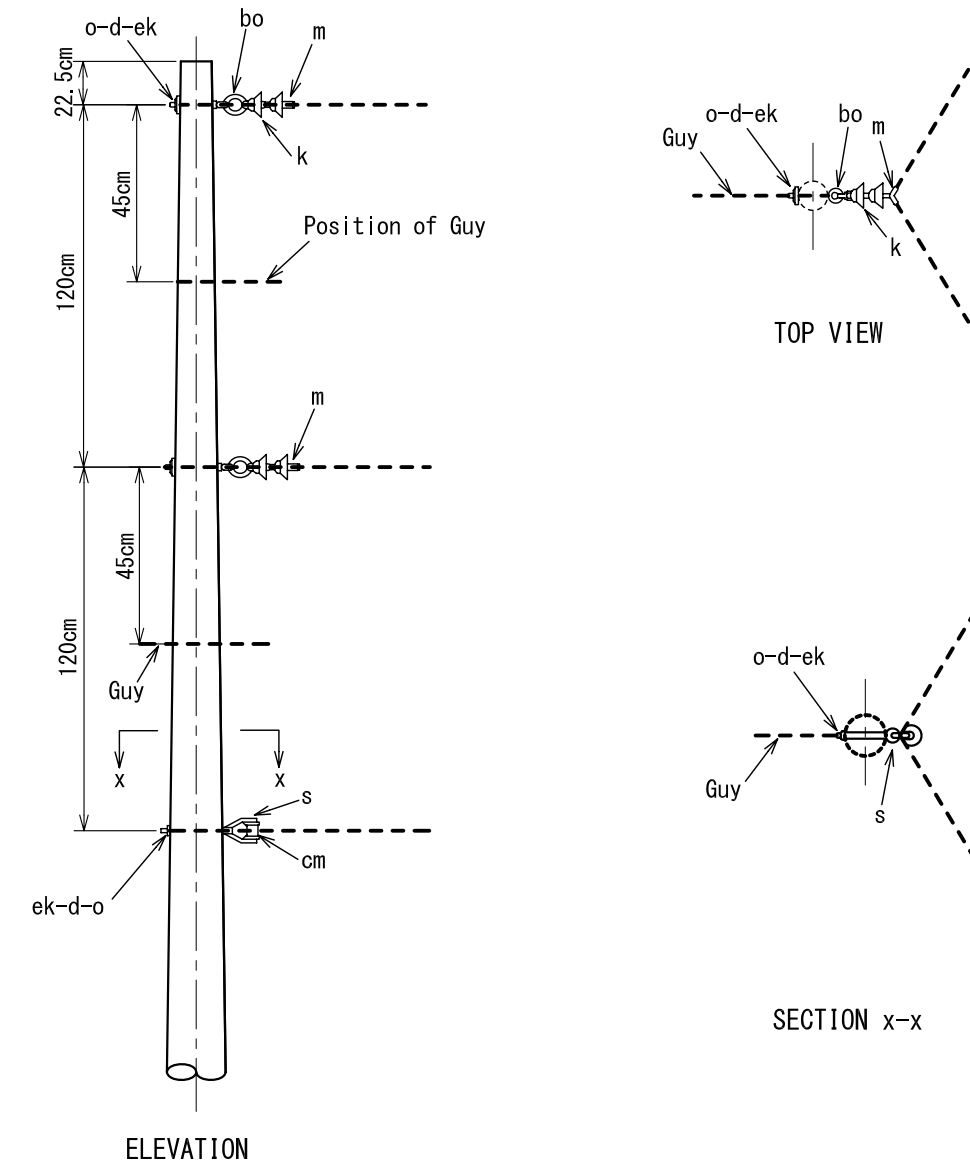
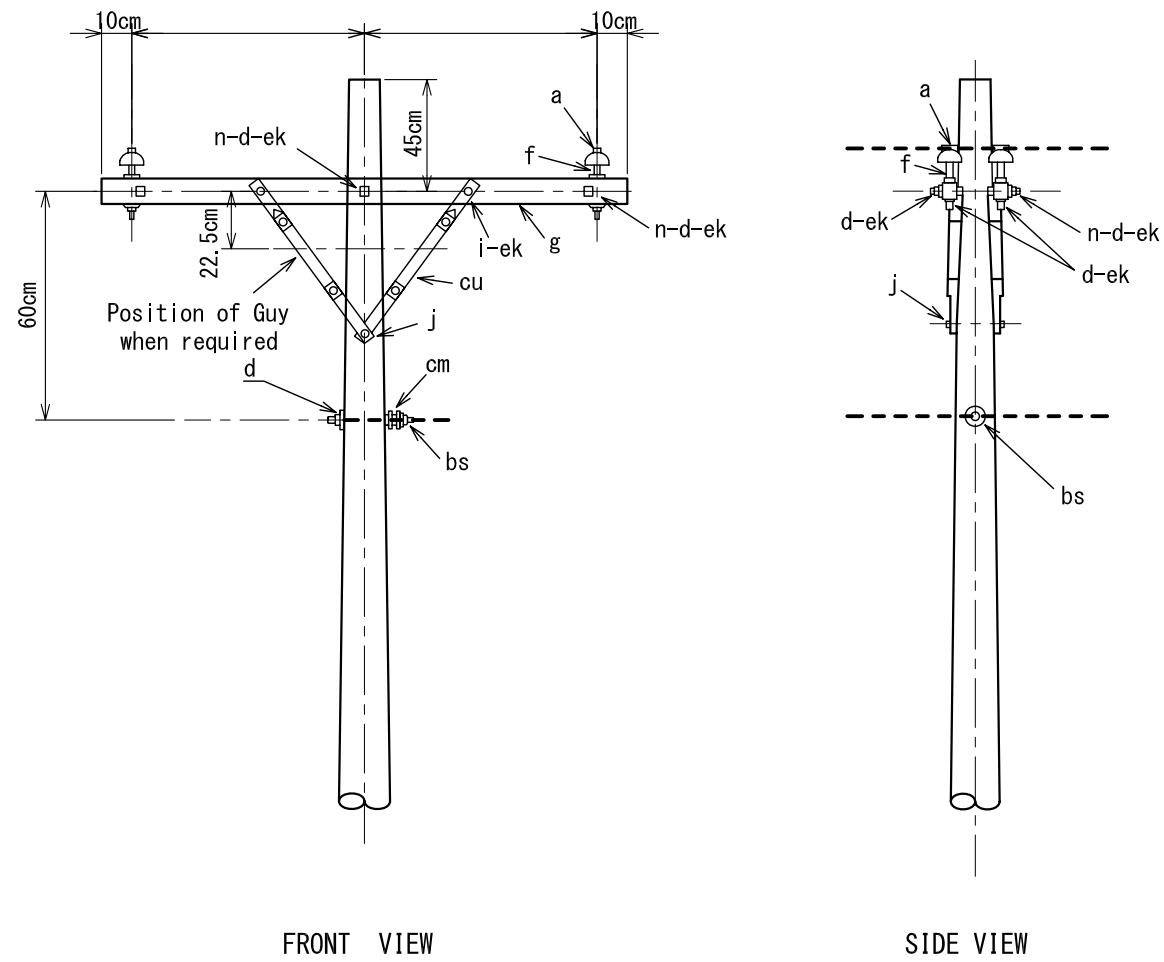
*Conductor Accessories

Item	Materials	Item	Materials
d-	2 1/4" x 3 1/6" Hole washer	cm-	1 3/4" dia groove spool insulator
k-	Suspension insulator	bo-	Anchor shackle
o-	5/8" x 9" Eye bolt	ek-	5/8" locknuts
m-	Suspension clamp	tw-	Tie wire*
s-	Secondary swinging clevis	bv-	Armor rod (single support)*

*Conductor Accessories

7. 97/13. 8kV. TWO PHASE, 0° TO 5° ANGLE

7. 97/13. 8kV. TWO PHASE, 30° TO 60° ANGLE



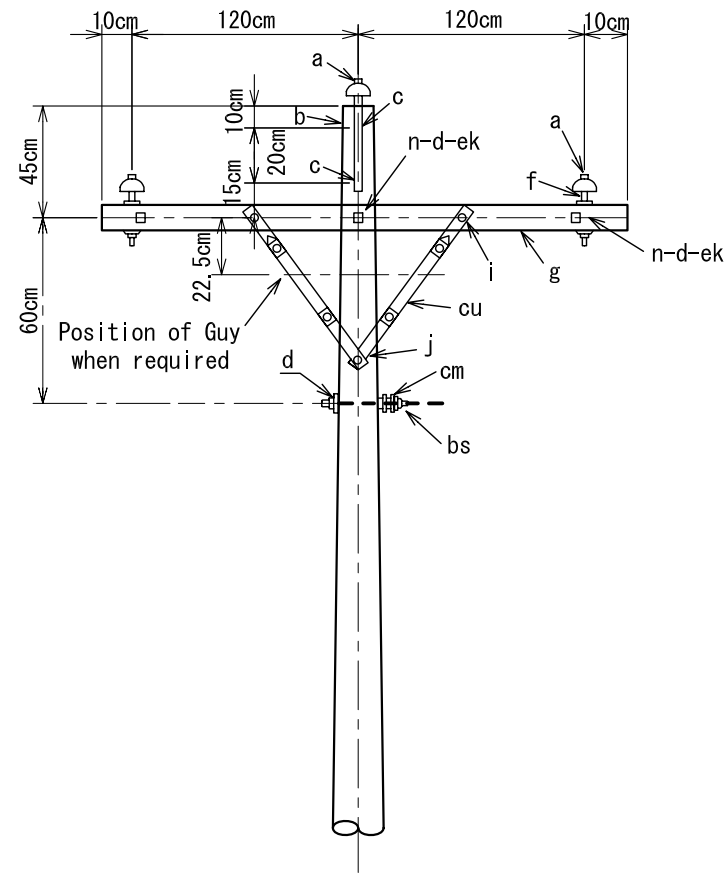
Item	Materials	Quantity	Item	Materials	Quantity
a-	Pin type insulator	4	j-	1/2" x 4' Lag screw	2
d-	3/16" x 2 1/4"-13/16 Hole washer	11	n-	5/8" x 20" double arming bolt	3
f-	5/8" x 10 3/4" Crossam steel pin	4	bs-	10" Single upset bolt	1
g-	3 2/1" x 4 1/2" 8' Crossam	2	cm-	1 3/4" dia. groove spool insulator	1
cu-	28" Wood brace	4	bv-1	Armor rod single support*	1
ek-	3/8" Locknuts	4	bv-2	Armor rod double support*	2
ek-	5/8" Locknuts	10	tw-	Tie wire*	40'
i-	3/8" x 4 1/2" Carriage bolts	4			

*Conductor Accessories

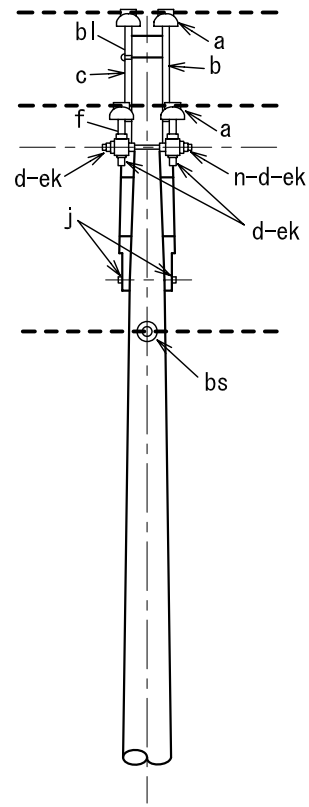
Item	Materials	Item	Materials
d-	3/16" x 2 1/4"-13/15" Hole washer	cm-	1 3/4" dia groove spool insuiator
k-	Suspension insulator	bo-	Anchor shackle
o-	5/8" x 10" Eye bolt	ek-	5/8" Locknuts
m-	Suspension clamp	bv-1	Armor rod (single support)*
s-	Secondary swinging clevis	tw-	Tie wire*

*Conductor Accessories

7. 97/13.8kV. THREE PHASE, 0° TO 5° ANGLE

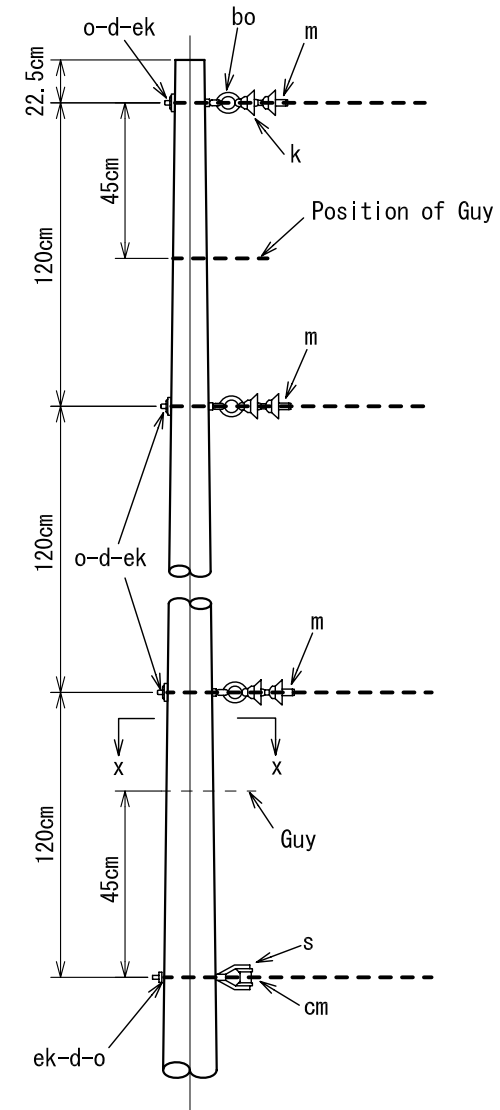


FRONT VIEW

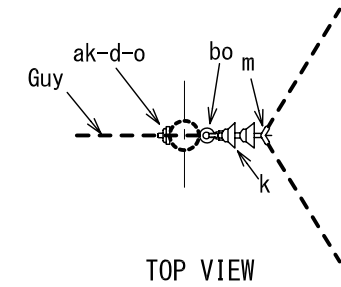


SIDE VIEW

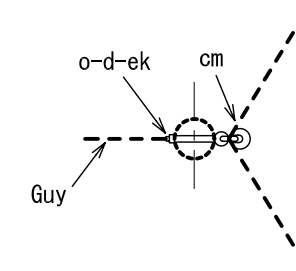
7. 97/13.8kV. THREE PHASE, 30° TO 60° ANGLE



ELEVATION



TOP VIEW



SECTION x-x

Item	Materials	Item	Materials
a-	Pin type insulator	bs-	5/8" x 10" single upset bolt
b-	20" Pole top pin	ek-	5/8" Locknuts
c-	5/8" x 12 Machine bolts	ek-	3/8" Locknuts
d-	3/16" x 2 1/4"-13/16" hole washer	cu-	28" Wood brace
f-	5/8" x 10 3/4" Crossarm steel pin	cm-	1 3/4" spool insulator
g-	3 2/1" x 4 1/2" x 8" Crossarm	dl-	3/4" dia x 1 1/2" pipe spacer
i-	3/8" x 4 1/2" Carriage bolt	bv-1	Armor rod (single support)*
j-	1/2" x 4" Lag screw	bv-2	Armor rod (double support)*
n-	5/8" x 18" double arming bolt	tw-	Tie wire*

*Conductor Accessories

Item	Materials	Item	Materials
d-	3/16" x 2 1/4"-13/16" hole washer	bo-	Anchor shackle
k-	Suspension insulator	o-	5/8" x 12" Eye bolt
ek-	5/8" Locknut	cm-	3" dia groove spool insulator
m-	Suspension clamp	bv-1	Armor rod (single support)*
s-	Secondary swinging clevis	tw-	Tie wire*

*Conductor Accessories

