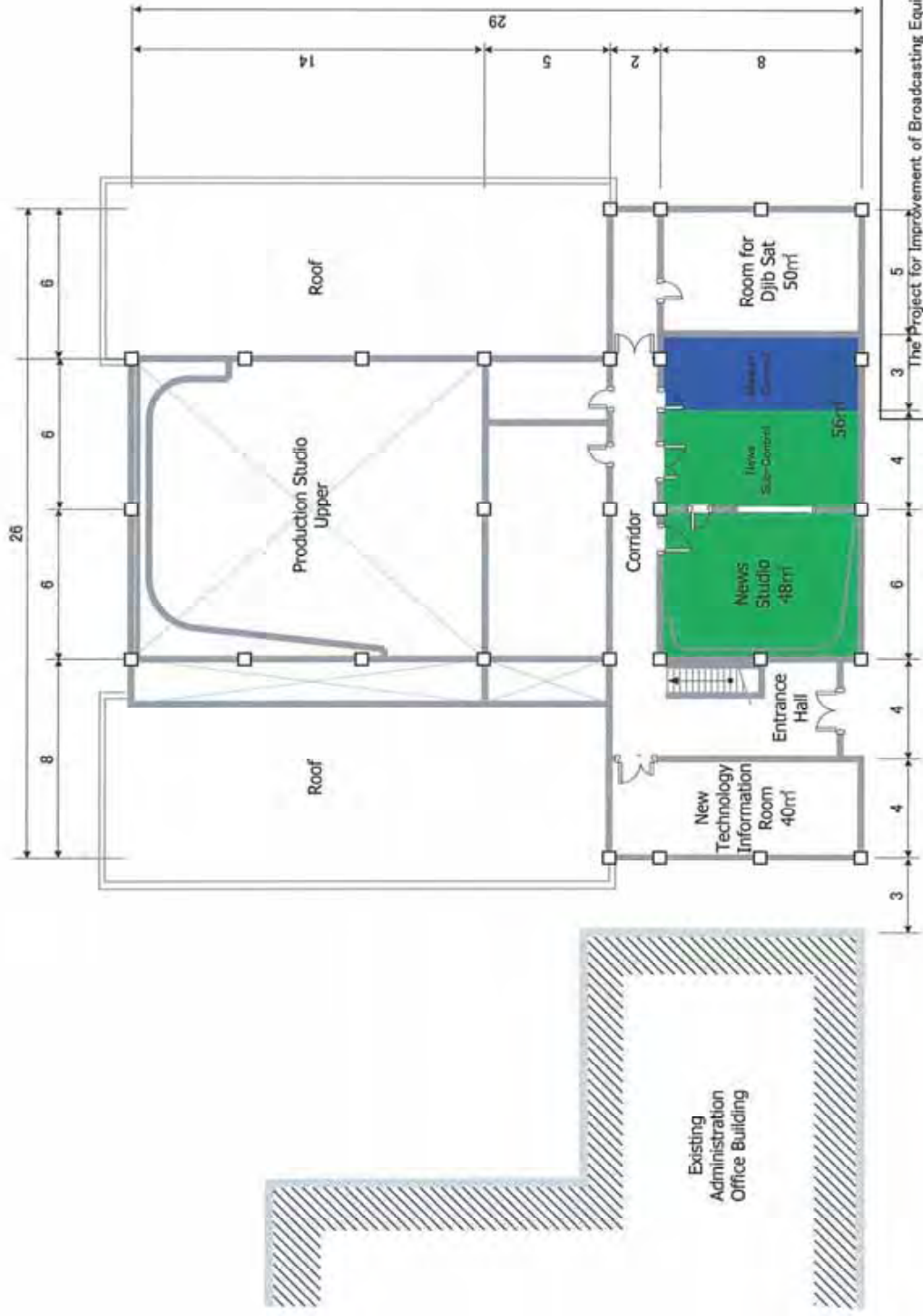


The Project for Improvement of Broadcasting Equipment		SCALE	
for RTD		-----	
Title			
Building Layout of RTD (GF)			
DATE	DESIGNED	CHECKED	APPROVED
	Kobayashi	Wada	Tanaka
DWG. No.		REVISION	
G-01-1			

scale 0 5 10m

Handwritten signature

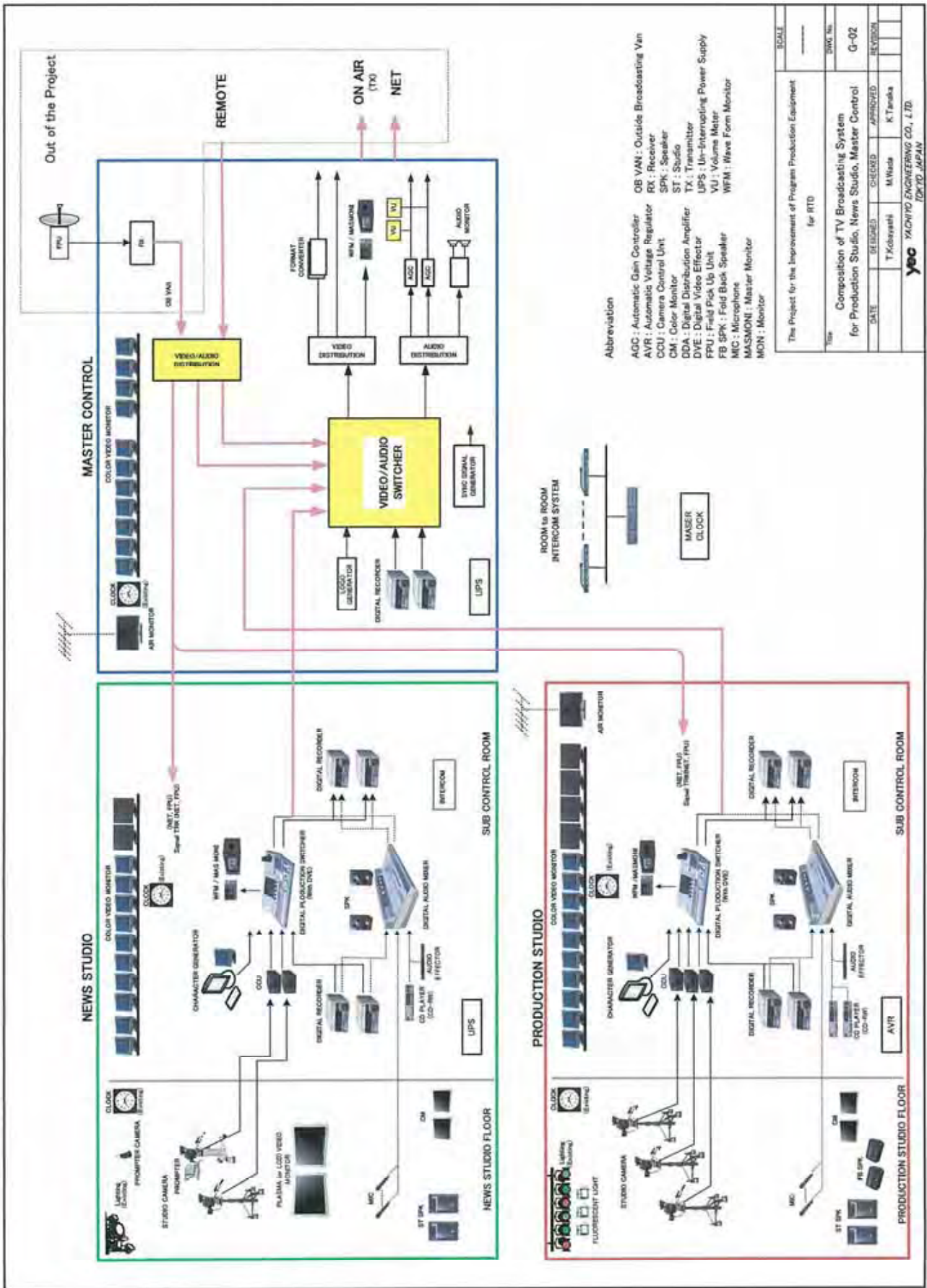


SCALE		The Project for Improvement of Broadcasting Equipment for RTD	
DWG. No.		G-01-2	
DATE	DESIGNED	CHECKED	APPROVED
	Kobayashi	Wada	Tanaka
Title			
Building Layout of RTD (1F)			
yec YACHIYO ENGINEERING CO., LTD. TOKYO JAPAN			

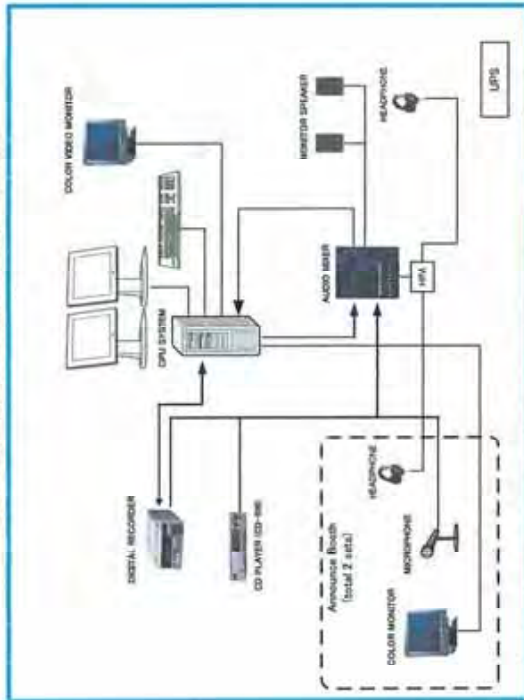


f

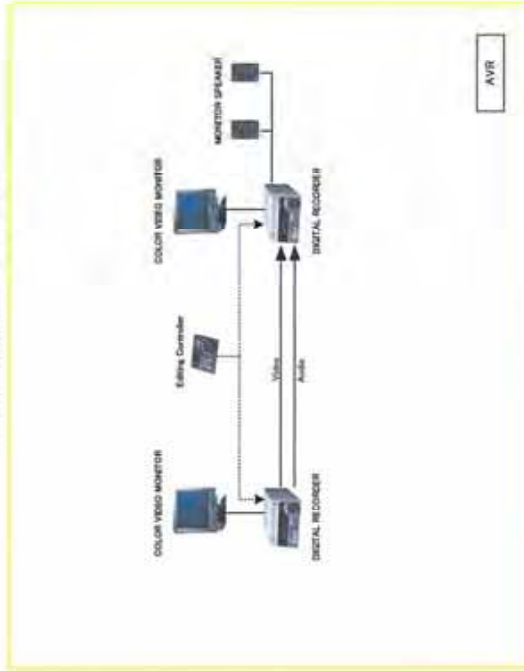
130



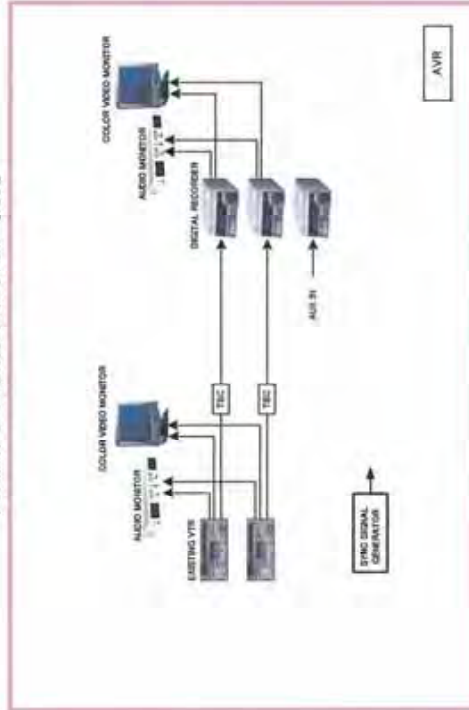
VIDEO NON-LINER EDITING SYSTEM (4 lots)



1 : 1 EDITING SYSTEM (3 lots)



FORMAT CONVERSION SYSTEM (1set)



Abbreviation

- AVR : Automatic Voltage Regulator
- HPA : Headphone Amplifier
- UPS : Un-Interrupting Power Supply

This Project for the Improvement of Program Production Equipment For RTD				SCALE

Title Completion of TV Broadcasting System for Format Conversion, Video Non-Linear Editing, 1:1 Editing				SWG No.
				G-03
DATE	DESIGNED	CHECKED	APPROVED	REVISION
	T. Kobayashi	M. Wada	K. Tanaka	
yec YACHTO ENGINEERING CO., LTD. TOKYO, JAPAN				

Handwritten mark

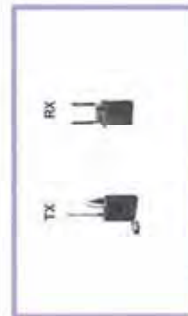
Handwritten initials

FIELD RECORDING (ENG) SYSTEM
(5 lots)



Handwritten signature

WIRELESS MICROPHONE for ENG
(2 sets)

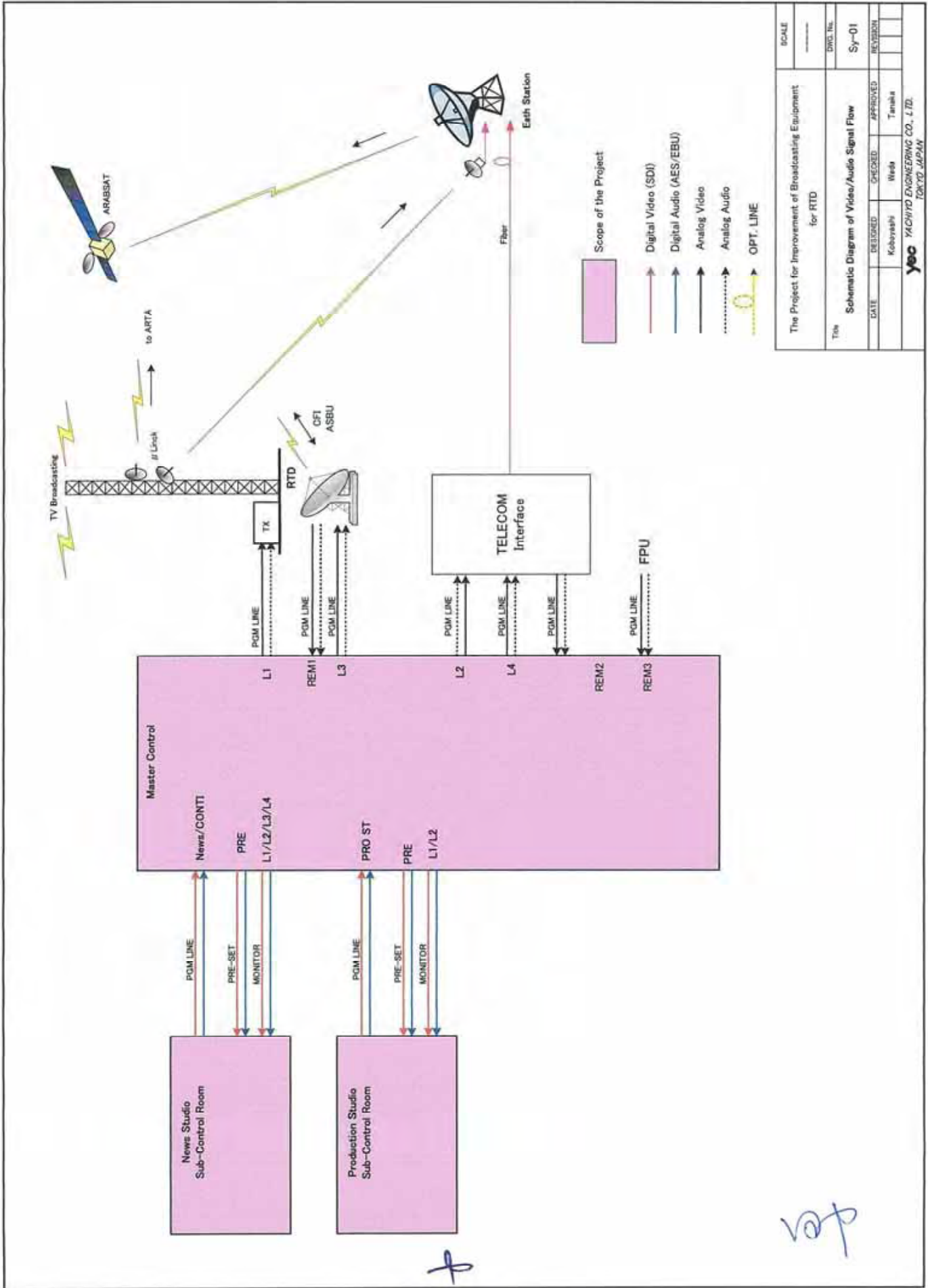


Handwritten signature

PORTABLE LIGHTING SET for ENG
(2 sets)

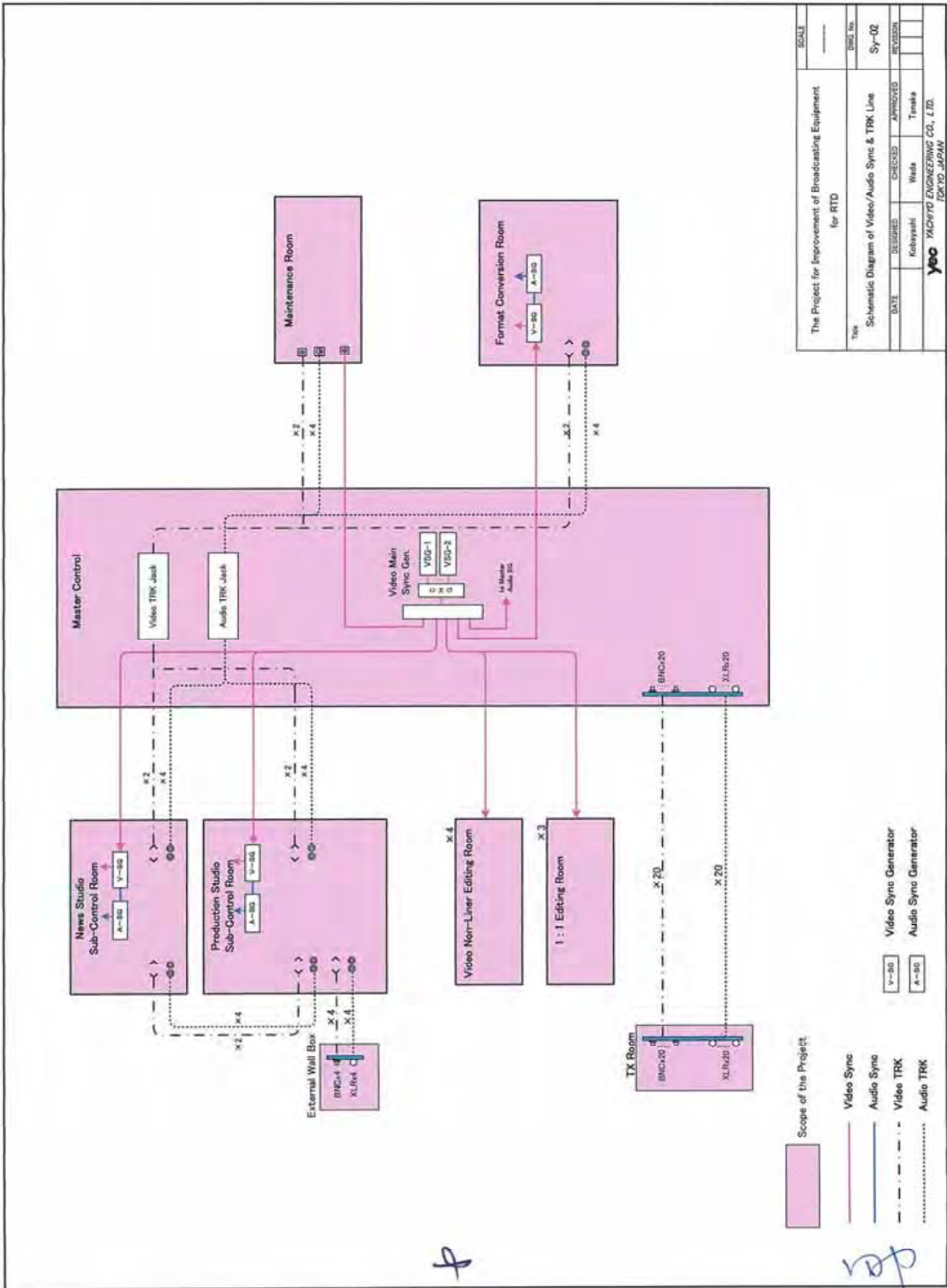


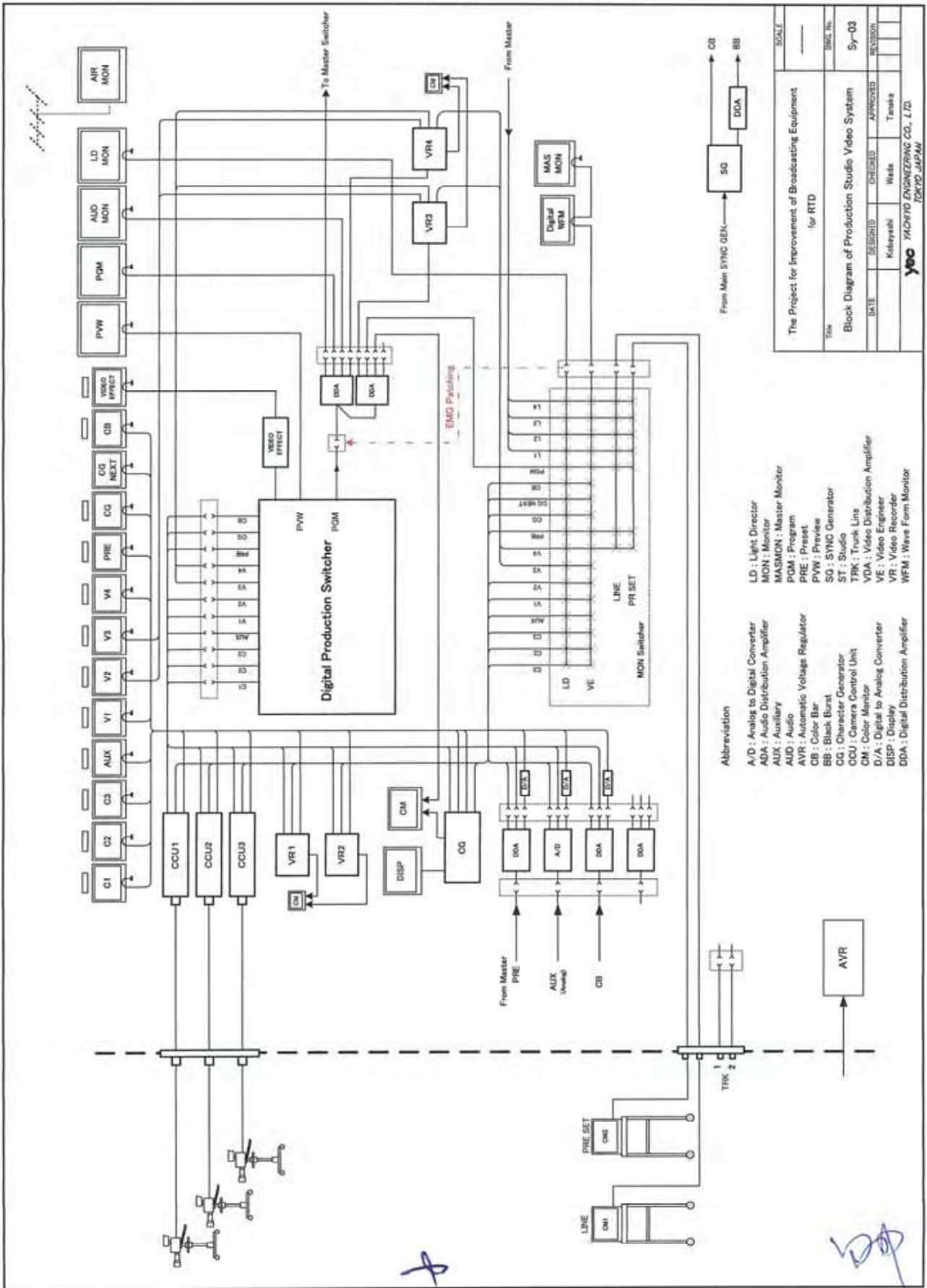
The Project for the Improvement of Program Production Equipment for RTD		SCALE
Title		DWG. No.
Composition of TV Broadcasting System for Field Recording (ENG) System		G-04
DATE	DESIGNED	CHECKED
	T. Kobayashi	M. Wada
		APPROVED
		K. Tanaka
yec YACHIYO ENGINEERING CO., L.TD.		REVISION
tokyo JAPAN		



The Project for Improvement of Broadcasting Equipment for RTD		SCALE
Title		DWG. No.
Schematic Diagram of Video/Audio Signal Flow		Sy-01
DATE	DESIGNED	CHECKED
	Kobayashi	Wada
		Tanihara
yoc		YACHIYODI ENGINEERING CO., LTD.
		TOKYO, JAPAN

Handwritten signature

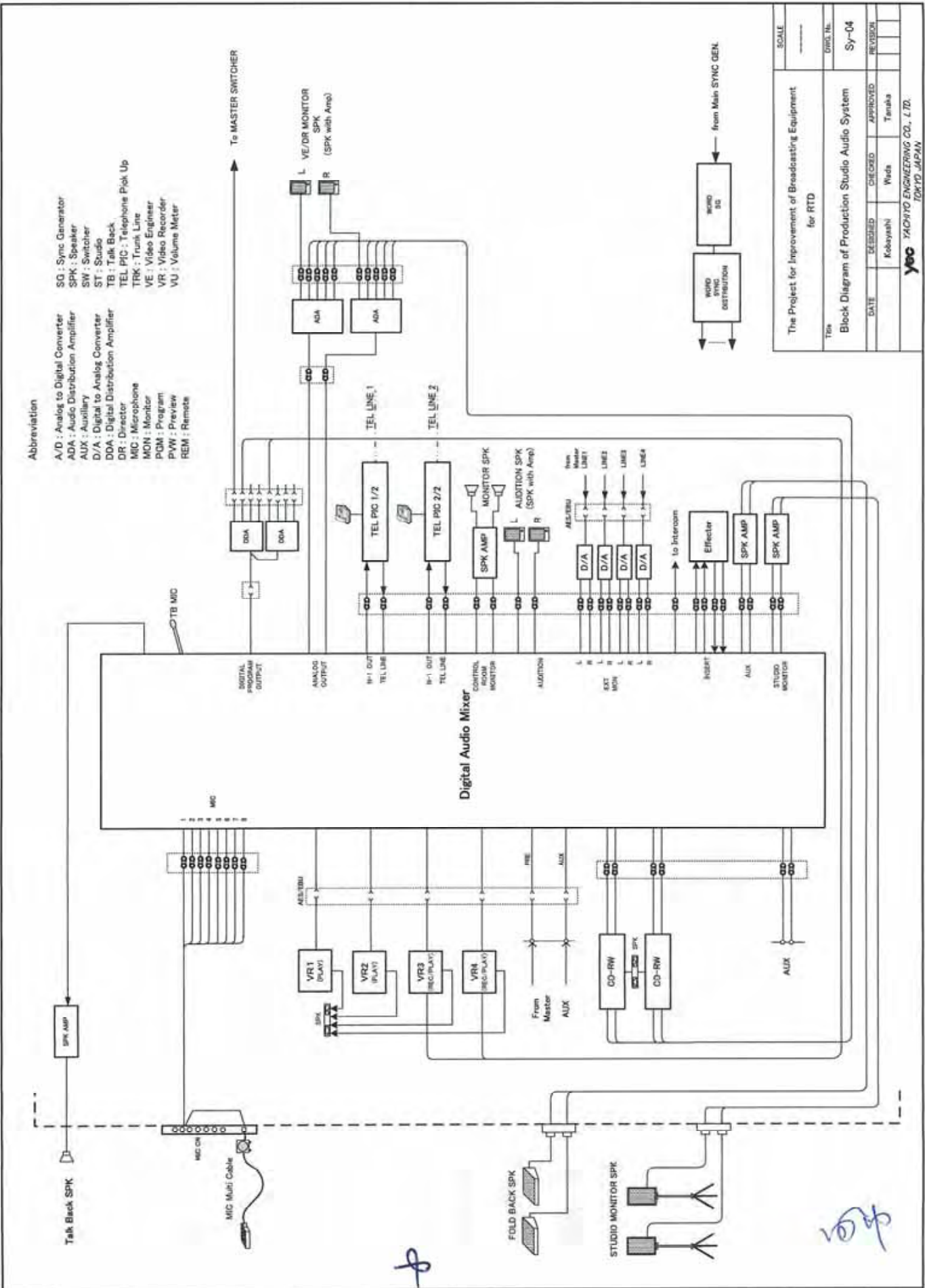


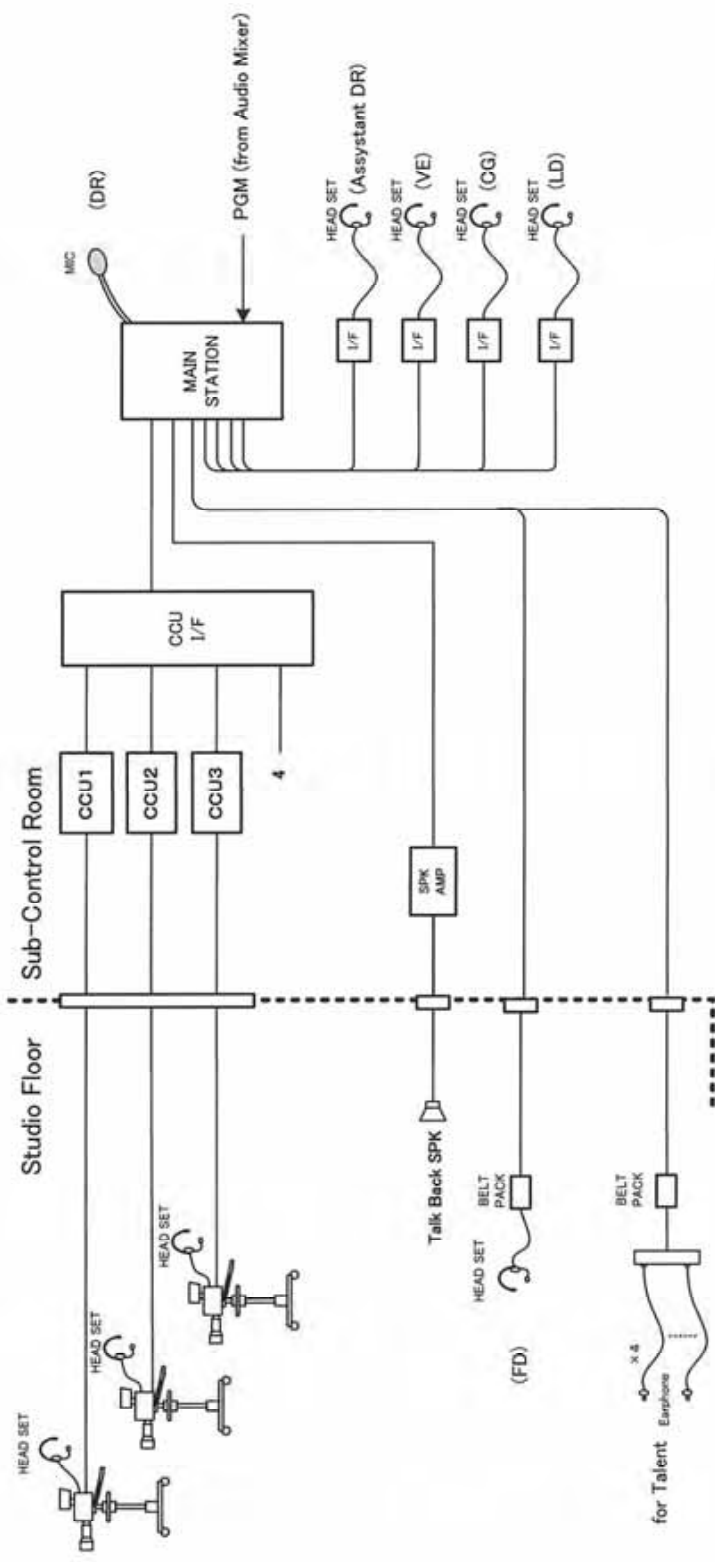


The Project for Improvement of Broadcasting Equipment
for RTD

DATE	DESIGNED	CHECKED	APPROVED
	Kakayashi	Wada	Tanaka
TITLE	Block Diagram of Production Studio Video System		
SYMBOL No.	Sy-03		
SCALE	---		
YEO YACHIKYO ENGINEERING CO., LTD. TOKYO JAPAN			

- Abbreviation
- A/D : Analog to Digital Converter
 - ADA : Audio Distribution Amplifier
 - AUX : Auxiliary
 - AVR : Automatic Voltage Regulator
 - CB : Color Bar
 - BB : Black Burst
 - CG : Character Generator
 - CCU : Camera Control Unit
 - CM : Color Monitor
 - D/A : Digital to Analog Converter
 - DISP : Display
 - DQA : Digital Distribution Amplifier
 - LD : Light Director
 - MON : Monitor
 - MASMON : Master Monitor
 - POM : Program
 - PRE : Preview
 - PVM : Preview
 - SG : SYNC Generator
 - ST : Studio
 - TRK : Trunk Line
 - VDA : Video Distribution Amplifier
 - VE : Video Engineer
 - VR : Video Recorder
 - WFM : Wave Form Monitor



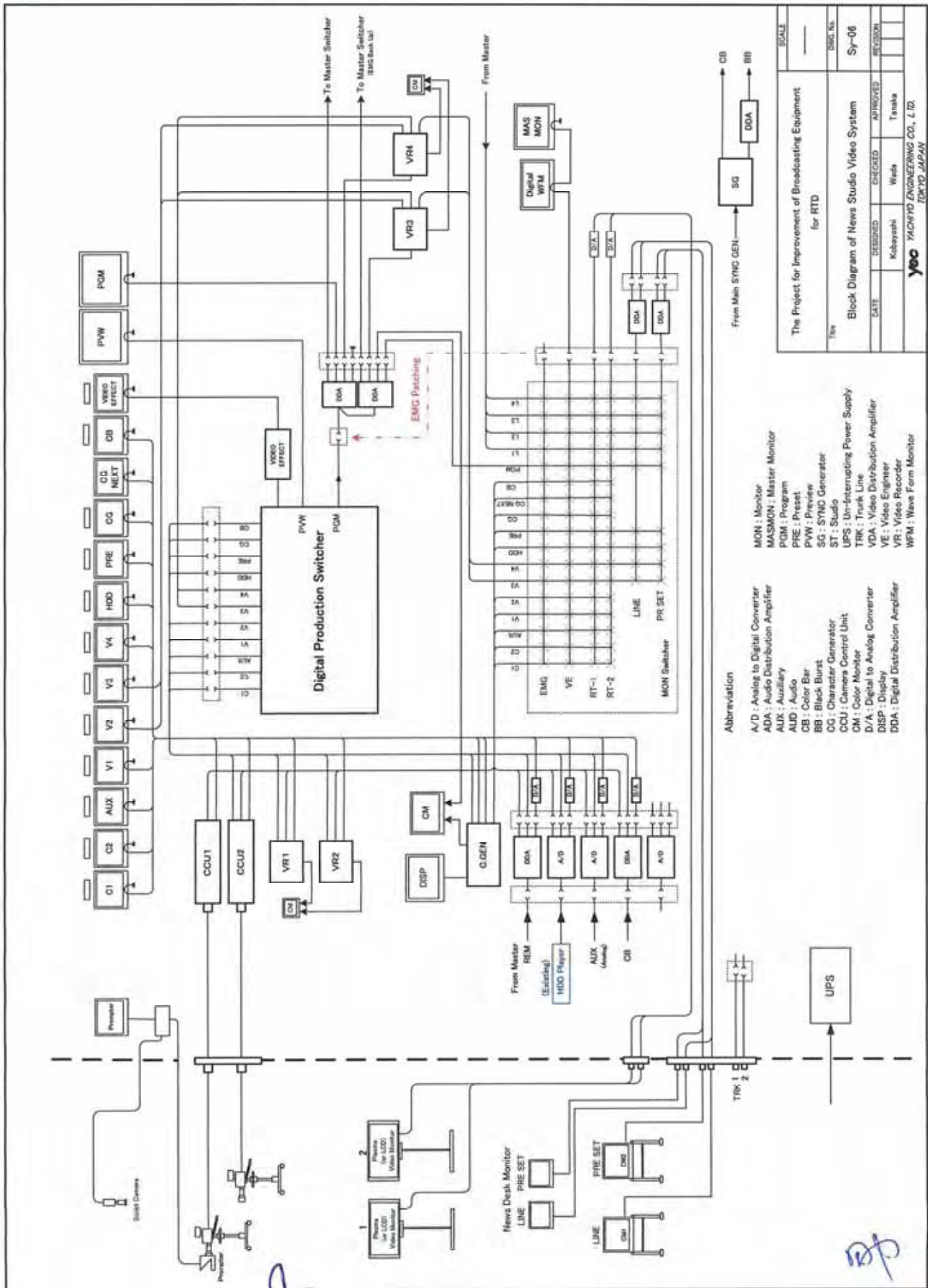


Abbreviation

- CCU : Camera Control Unit
- CG : Character Generator
- FD : Floor Director
- I/F : Interface
- LD : Light Director
- MIC : Microphone
- MON : Monitor
- DR : Director
- PGM : Program
- SPK : Speaker
- TB : Talk Back
- VE : Video Engineer

The Project for Improvement of Broadcasting Equipment for RTD		SCALE
Title		-----
Block Diagram of Production Studio Intercom System		DWG. No.
		Sy-05
DATE	DESIGNED	CHECKED
	Kobayashi	Wada
		Tanaka
APPROVED		REVISION
 YACHIYO ENGINEERING CO., LTD. TOKYO JAPAN		

[Handwritten signature]



Abbreviation

- A/D : Analog to Digital Converter
- ADA : Audio Distribution Amplifier
- AUX : Auxiliary
- AUD : Audio
- CB : Color Bar
- BB : Black Burst
- CCU : Camera Control Unit
- CM : Color Monitor
- D/A : Digital to Analog Converter
- DISP : Display
- DDA : Digital Distribution Amplifier
- MON : Monitor
- MASMON : Master Monitor
- PGM : Program
- PRE : Preset
- PVW : Preview
- SG : SYNC Generator
- ST : Studio
- UPS : Un-Interrupting Power Supply
- TRK : Trunk Line
- VDA : Video Distribution Amplifier
- VE : Video Encoder
- VR : Video Recorder
- WFM : Wave Form Monitor

The Project for Improvement of Broadcasting Equipment
for RTD

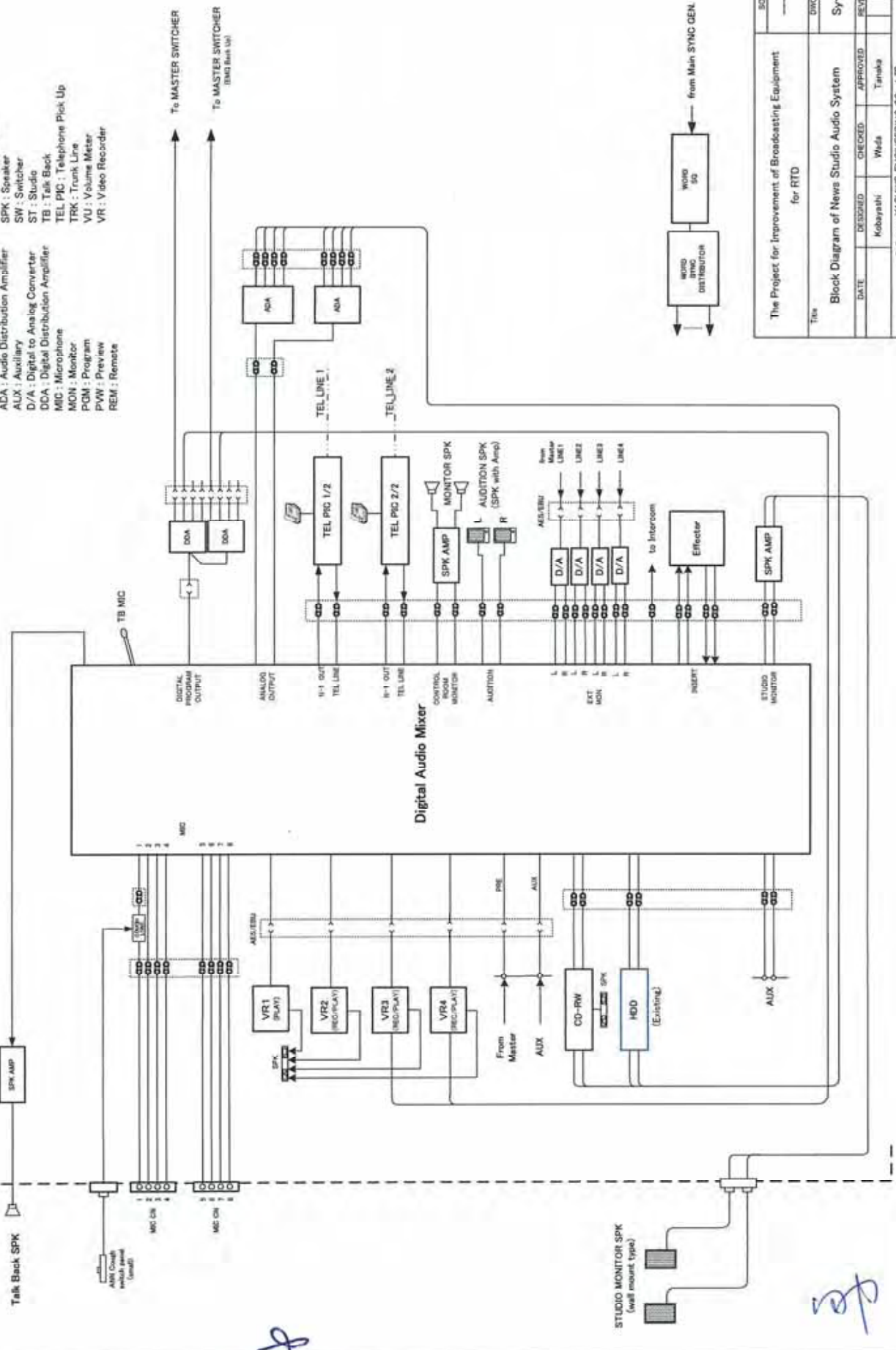
SCALE	
Doc. No.	Sr-06
DATE	DESIGNED: Kobayashi CHECKED: Wada APPROVED: Tanaka
REVISION	

Block Diagram of News Studio Video System

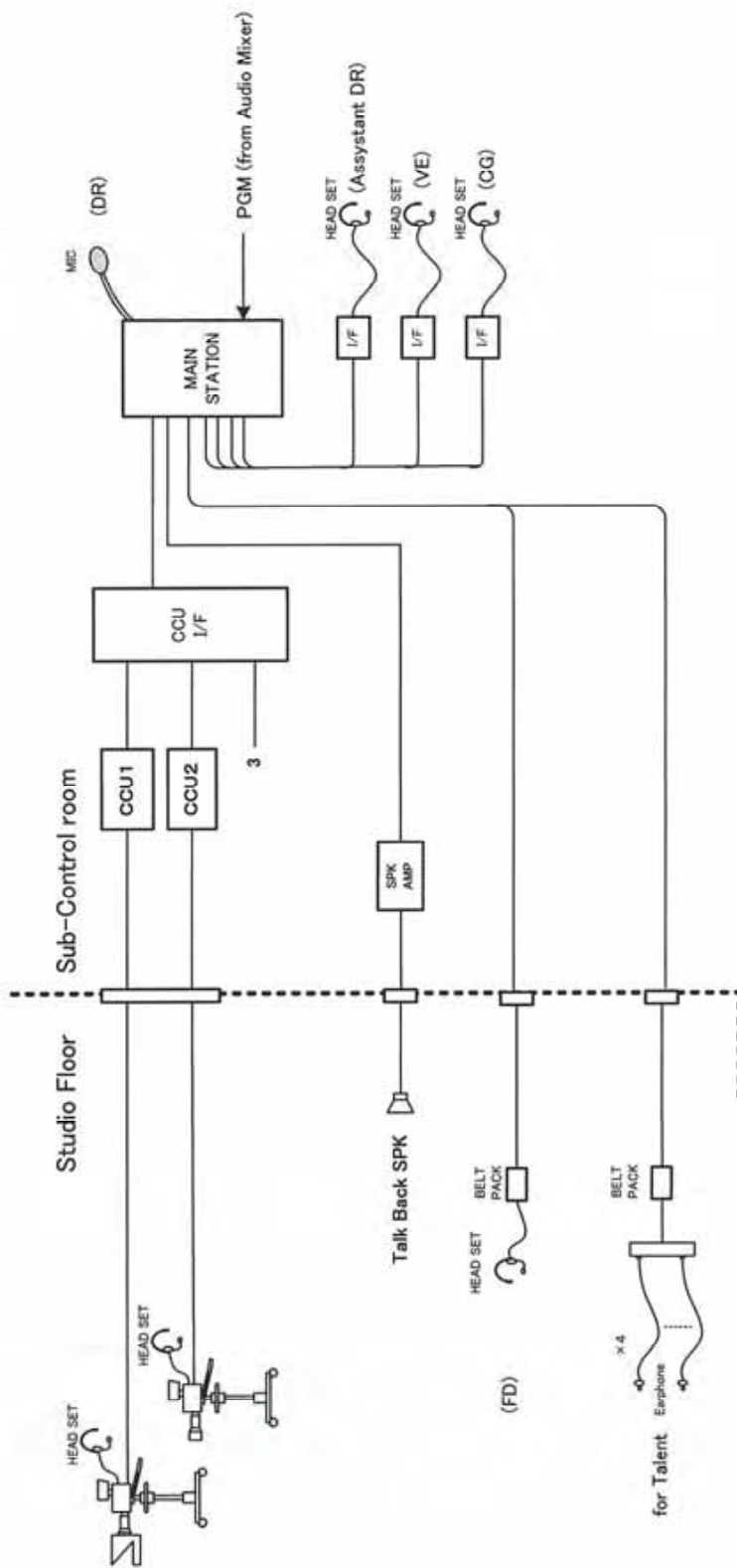
YSC YACHINO ENGINEERING CO., LTD.
TOKYO, JAPAN

Abbreviation

- A/D : Analog to Digital Converter
- ADA : Audio Distribution Amplifier
- ALX : Auxiliary
- D/A : Digital to Analog Converter
- DDA : Digital Distribution Amplifier
- MIC : Microphone
- MON : Monitor
- PGM : Program
- PVW : Preview
- REM : Remote
- SG : SYNC Generator
- SPK : Speaker
- SW : Switcher
- ST : Studio
- TB : Talk Back
- TEL PIC : Telephone Pick Up
- TRK : Trunk Line
- VU : Volume Meter
- VR : Video Recorder



The Project for Improvement of Broadcasting Equipment for RTD				SCALE
Title				DATE
Block Diagram of News Studio Audio System				DESIGNED
yoc				CHECKED
Kobayashi				APPROVED
Wada				Tanaka
YACHTO ENGINEERING CO., LTD.				REVISION
TOKYO JAPAN				SY-07



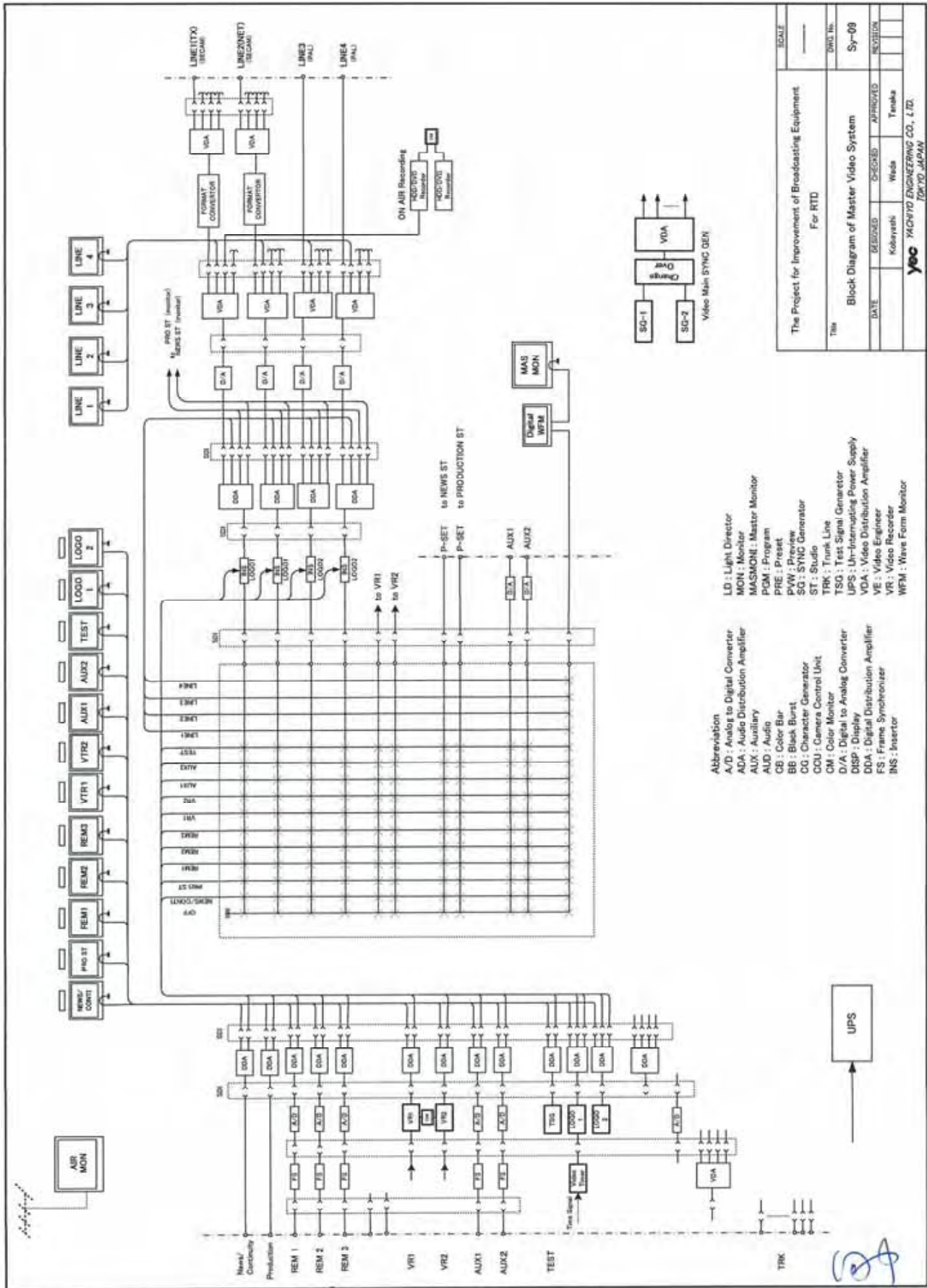
Abbreviation

- CCU : Camera Control Unit
- CG : Character Generator
- FD : Floor Director
- I/F : Interface
- MIC : Microphone
- MON : Monitor
- DR : Director
- PGM : Program
- SPK : Speaker
- TB : Talk Back
- VE : Video Engineer

The Project for Improvement of Broadcasting Equipment for RTD		SCALE
Title		DWG. No.
Block Diagram of News Studio Intercom System		Sy-08
DATE	DESIGNED	CHECKED
	Kobayashi	Wada
		Tanaka
YEC YACHIYO ENGINEERING CO., LTD. TOKYO JAPAN		

(Handwritten mark)

(Handwritten signature)



- Abbreviation**
- A/D : Analog to Digital Converter
 - ADA : Audio Distribution Amplifier
 - AUX : Auxiliary
 - AUD : Audio
 - CB : Color Bar
 - BB : Black Burst
 - CG : Character Generator
 - CCU : Camera Control Unit
 - CM : Color Monitor
 - D/A : Digital to Analog Converter
 - DISP : Display
 - DDA : Digital Distribution Amplifier
 - FS : Frame Synchronizer
 - INS : Inserter
 - LD : Light Director
 - MON : Monitor
 - MASMON : Master Monitor
 - PGM : Program
 - PRE : Preset
 - P/W : Preview
 - SG : SYNC Generator
 - ST : Studio
 - TRK : Trunk Line
 - TSG : Test Signal Generator
 - UPS : Un-Interrupting Power Supply
 - VDA : Video Distribution Amplifier
 - VE : Video Engineer
 - VR : Video Recorder
 - WFM : Wave Form Monitor

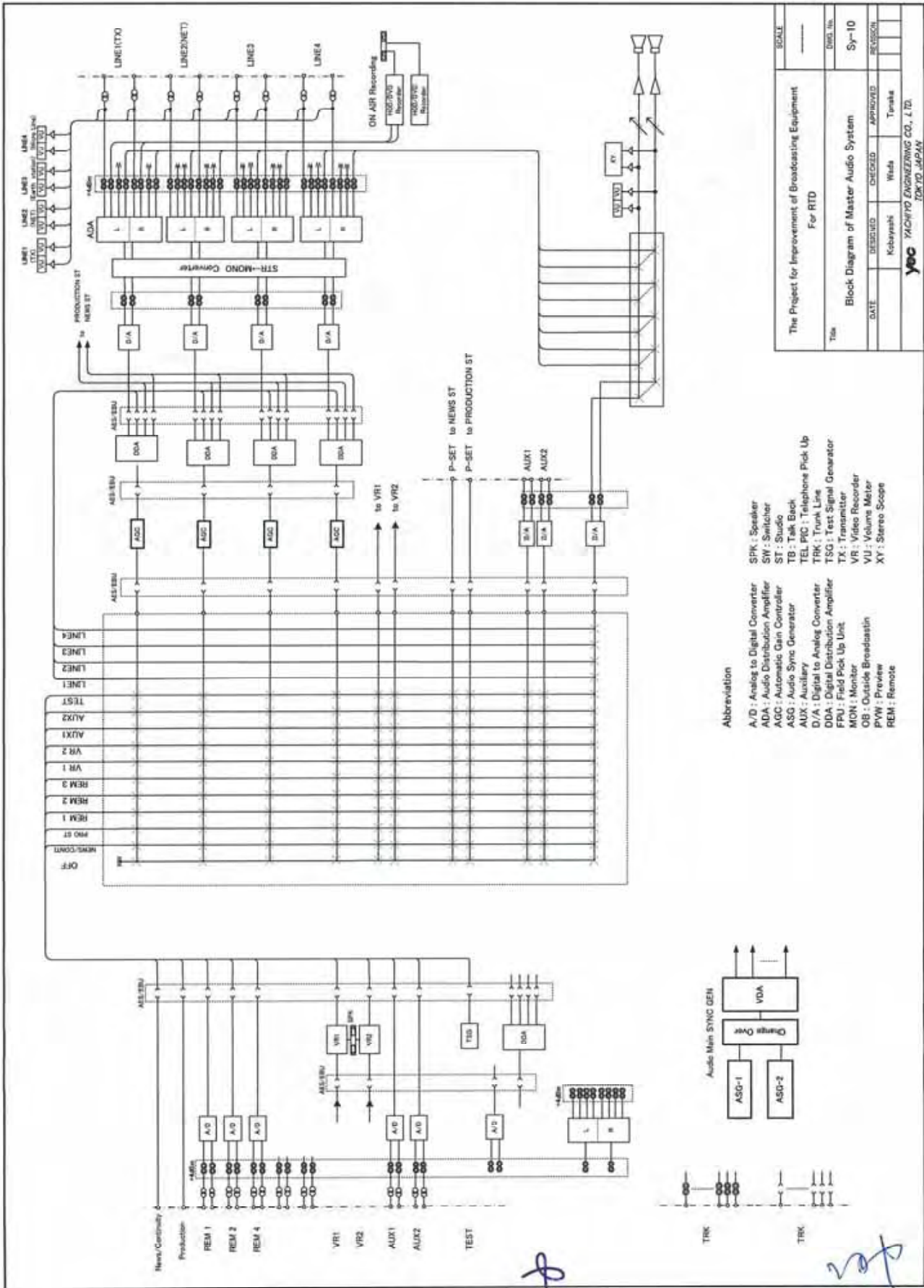
The Project for Improvement of Broadcasting Equipment
For RTD

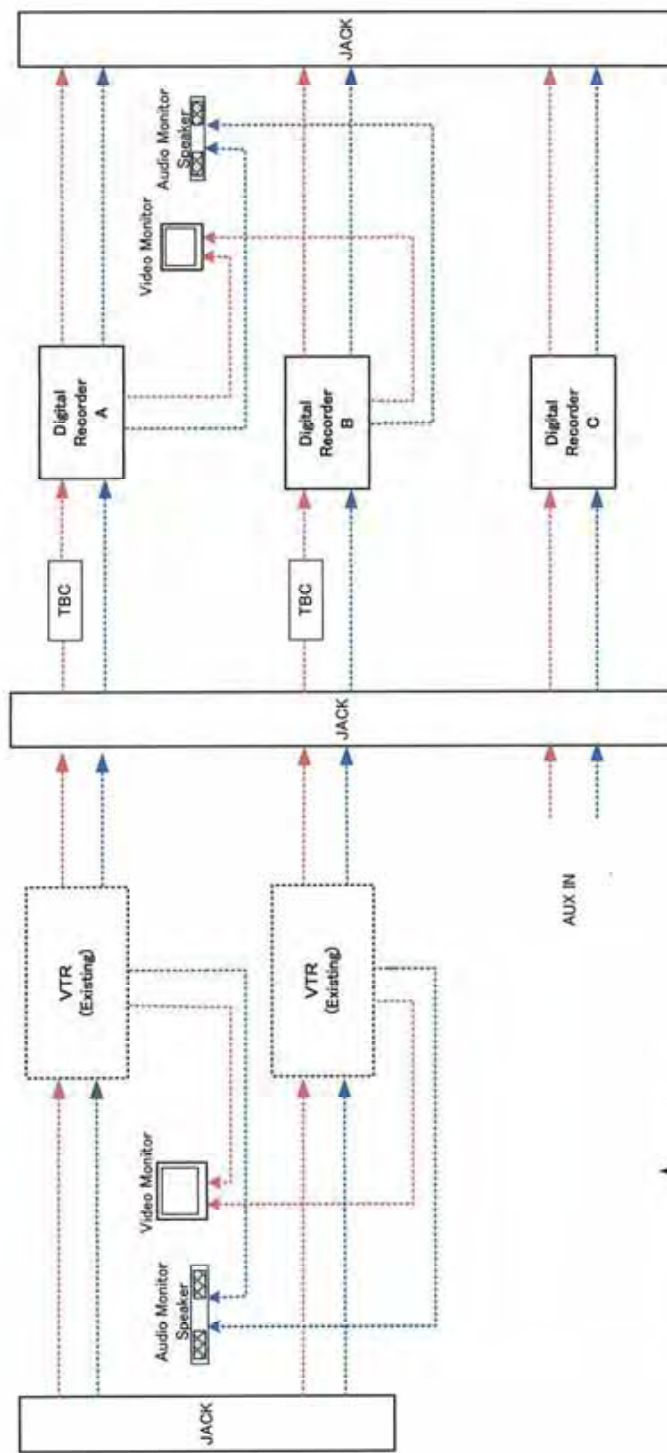
DATE	DESIGNED	CHECKED	APPROVED
	Kobayashi	Wada	Tenaka

Block Diagram of Master Video System
Sy-09

SCALE	---
DWG. No.	Sy-09
REVISION	

yec YACHIYO ENGINEERING CO., LTD.
TOKYO, JAPAN





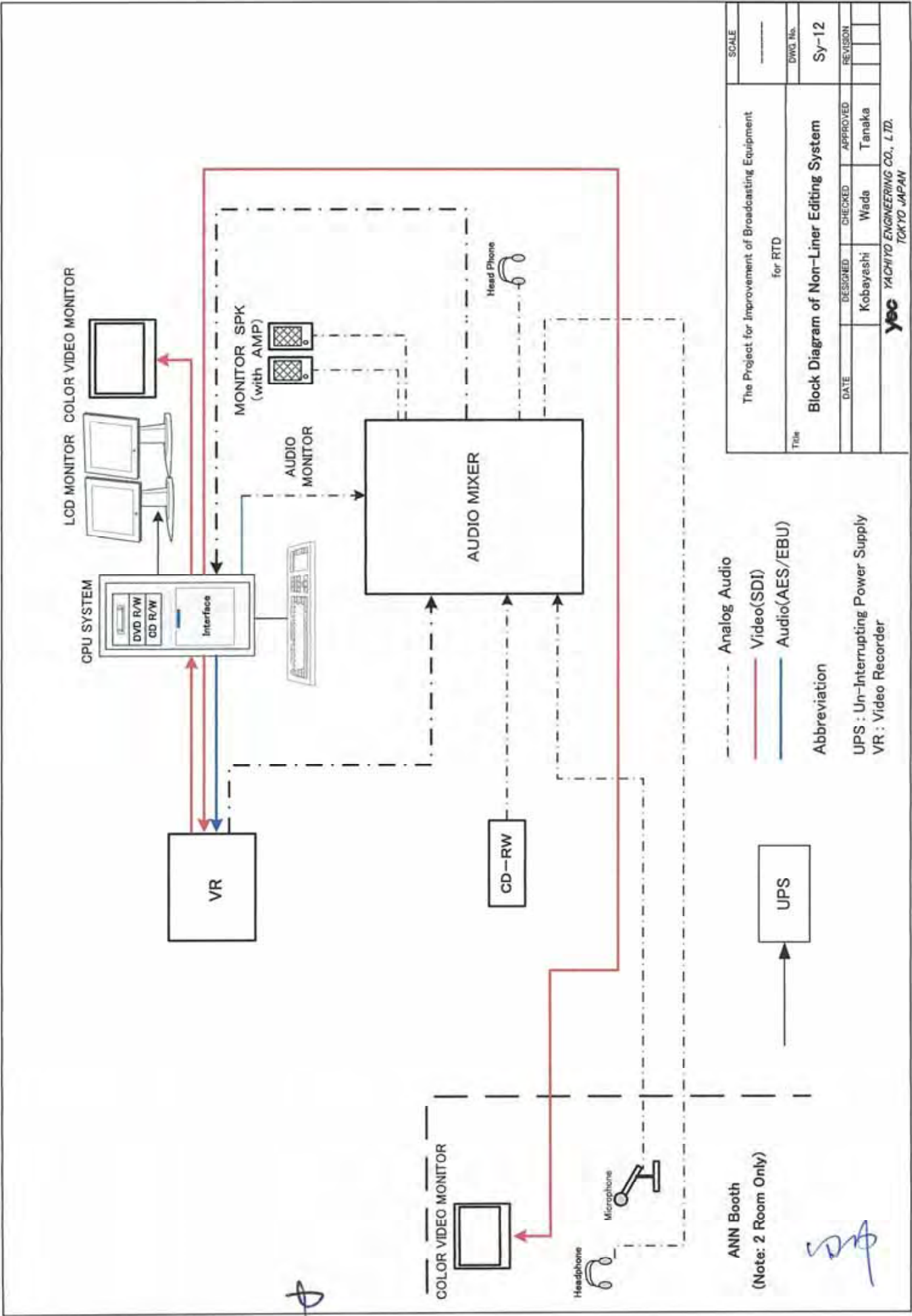
→ Analog Video
→ Analog Audio

Abbreviation
 AVR : Automatic Voltage Regulator
 TBC : Time Base Corrector

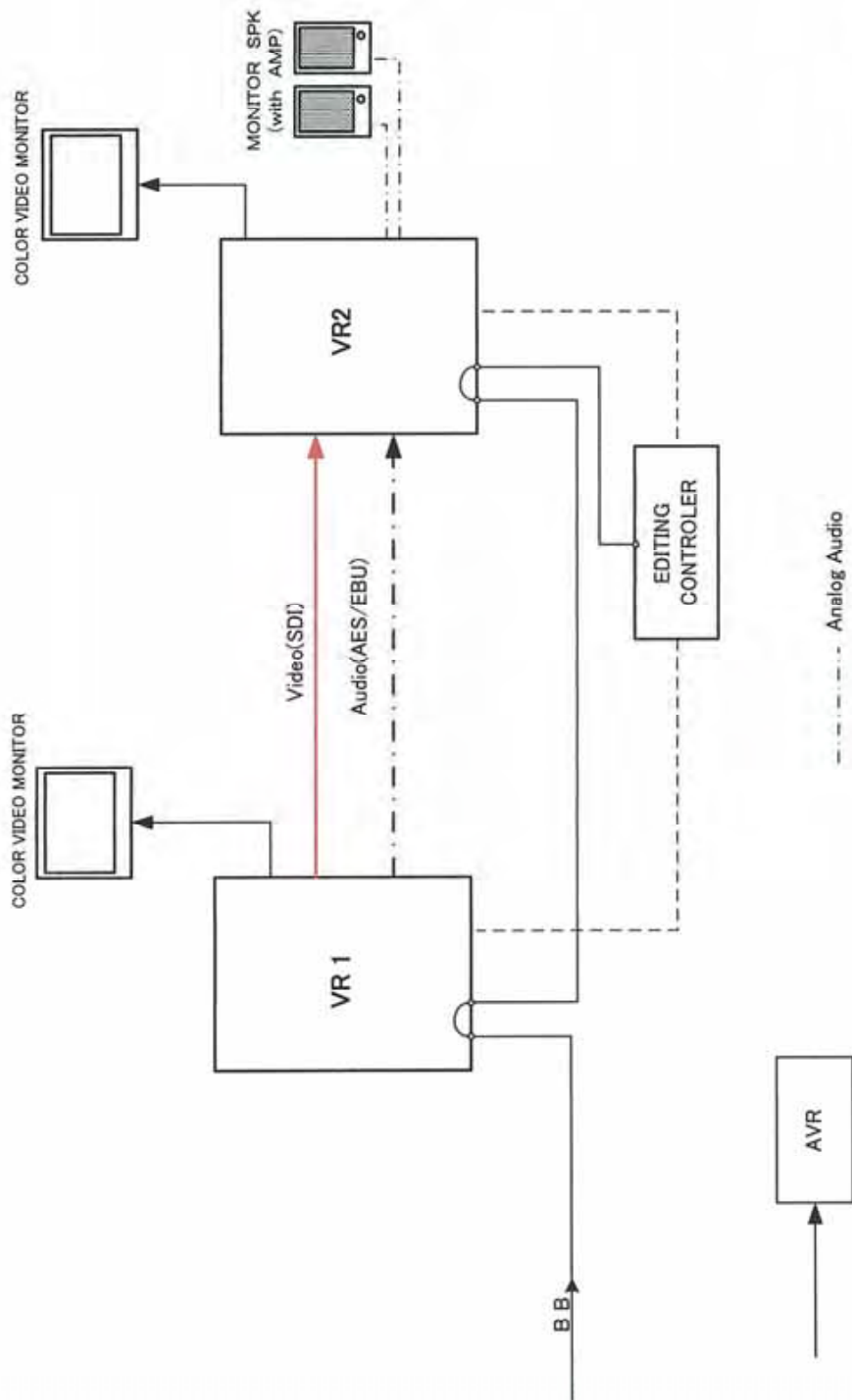
The Project for Improvement of Broadcasting Equipment for RTD				SCALE
Title				DWG. No.
Block Diagram of Format Conversion System				Sy-11
DATE	DESIGNED	CHECKED	APPROVED	REVISION
	Kobayashi	Wada	Tanaka	
yec YACHIYO ENGINEERING CO., LTD. TOKYO, JAPAN				

Handwritten mark

Handwritten mark



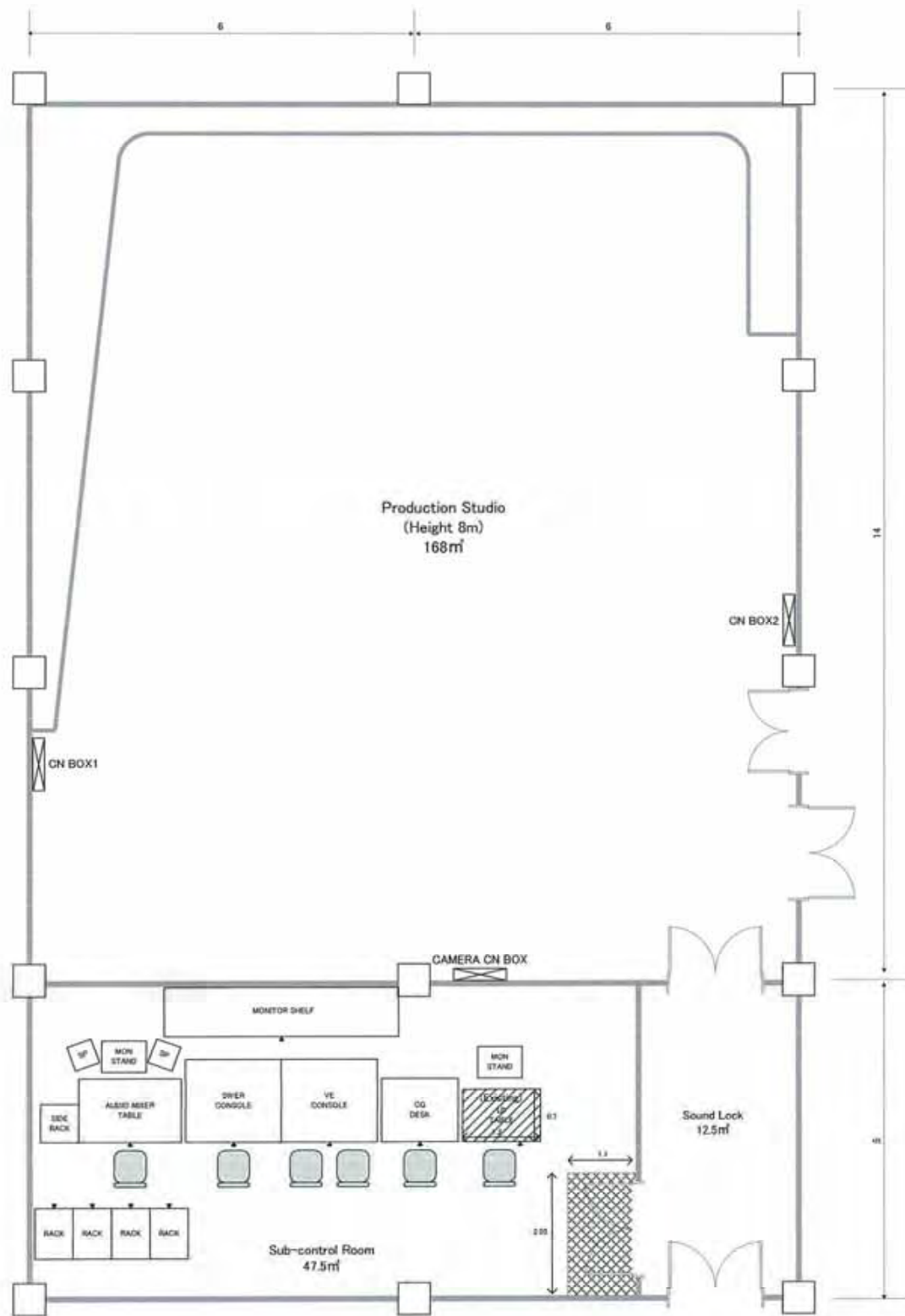
The Project for Improvement of Broadcasting Equipment for RTD		SCALE
Title		DWG No.
Block Diagram of Non-Linear Editing System		Sy-12
DATE	DESIGNED	CHECKED
	Kobayashi	Wada
		APPROVED
		Tanaka
YEC YACHIYO ENGINEERING CO., LTD. TOKYO JAPAN		REVISION



- - - - - Analog Audio
 ——— Video(SDI)
 ——— Audio(AES/EBU)

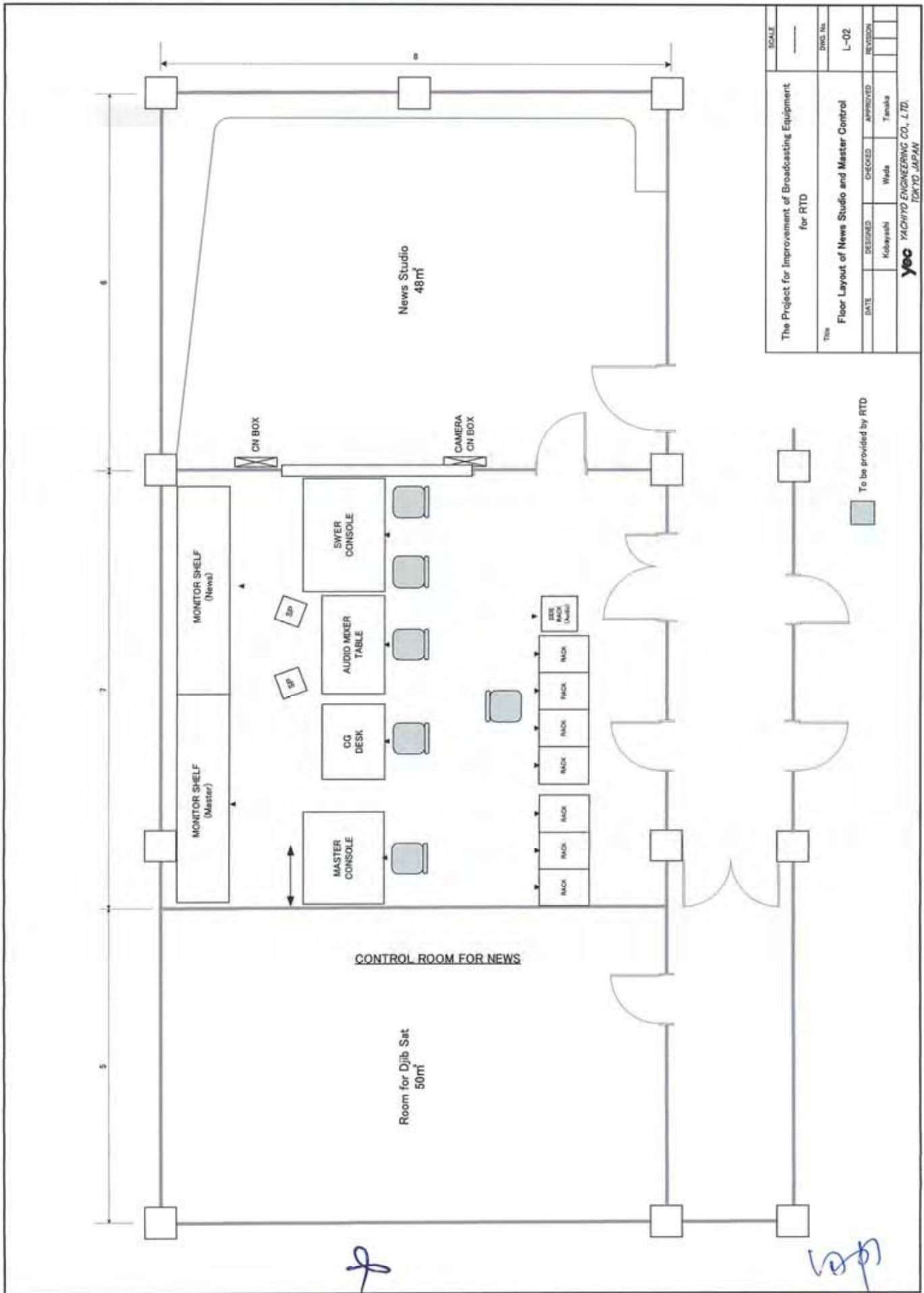
Abbreviation
 AVR : Automatic Voltage Regulator
 VR : Video Recorder

The Project for Improvement of Broadcasting Equipment for RTD				SCALE
Title				DRG. No.
Block Diagram of 1:1 Editing System				Sy-13
DATE	DESIGNED	CHECKED	APPROVED	REVISION
	Kobayashi	Wada	Tanaka	
yec YACHIYO ENGINEERING CO., LTD. TOKYO, JAPAN				



■ To be provided by RTD

The Project for Improvement of Broadcasting Equipment for RTD				SCALE
				—
Floor Layout of Production Studio				DWG. No.
				L-01
DATE	DESIGNED	CHECKED	APPROVED	REVISION
	Kobayashi	Wada	Tanaka	
yec YACHIYO ENGINEERING CO., LTD. TOKYO JAPAN				



The Project for Improvement of Broadcasting Equipment
for RTD

SCALE _____

DWG No. L-02

The Floor Layout of News Studio and Master Control

DATE	DESIGNED	CHECKED	APPROVED	REVISION
	Kobayashi	Wada	Tanaka	

yec YACHIYO ENGINEERING CO., LTD.
TOKYO JAPAN