

7-5 設計図面

基本設計図リスト

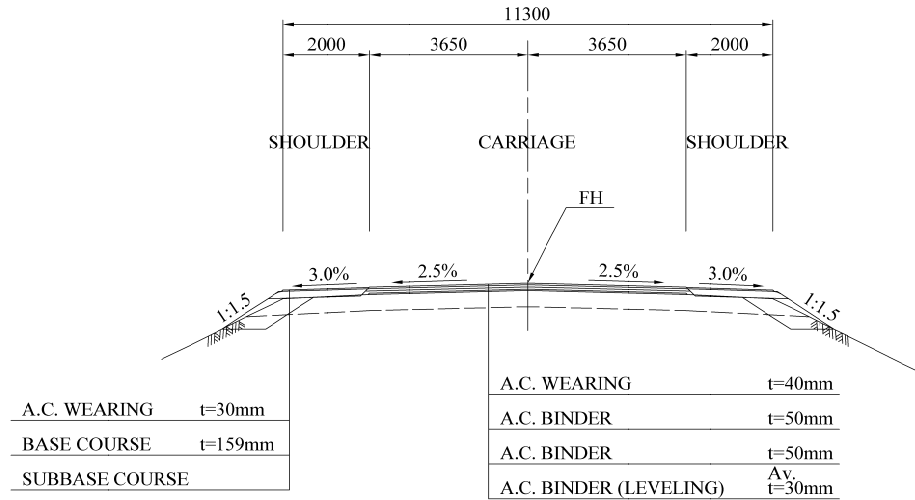
項目	図面内容	図面枚数
1	道路標準横断図、道路平面・縦断図	14
2	主要構造物構造一般図	22
3	橋梁一般図・構造図	9

次頁以降に基本設計図を掲載する。

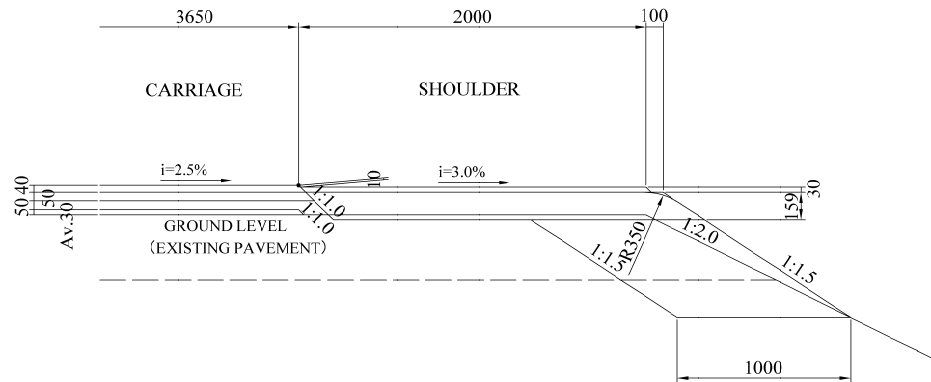
TYPICAL CROSS SECTION (1)

SCALE A3 1:100

GENERAL SECTION (TYPE-1)

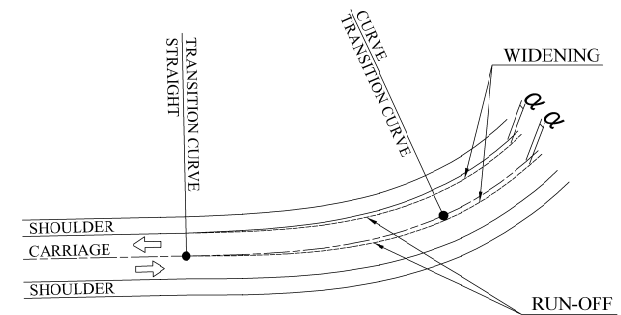


EDGE OF PAVEMENT SCALE A3 1:25



WIDENING OF ROAD LIST

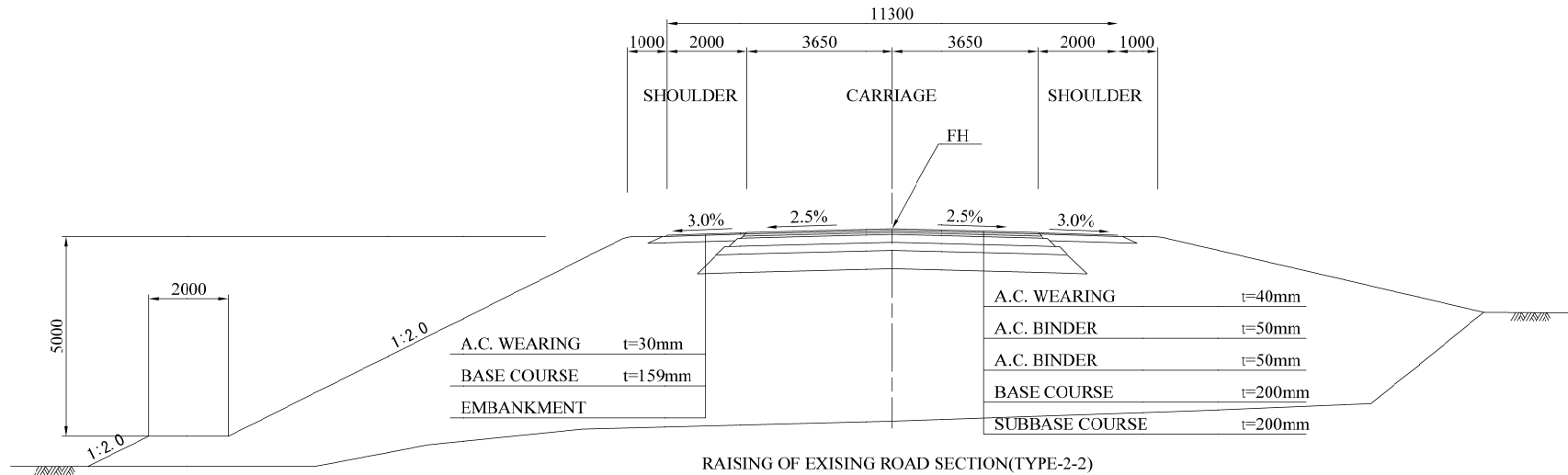
STATION	α (mm)	Remarks
0+ 76.852 ~ 0+146.978	0~250	
0+146.978 ~ 0+298.776	250	
0+298.776 ~ 0+368.902	250~0	
44+275.658 ~ 44+347.086	0~250	
44+347.086 ~ 44+348.740	250	
44+348.740 ~ 44+420.169	250~0	
44+426.592 ~ 44+462.592	0~250	
44+462.592 ~ 44+558.650	250	
44+558.650 ~ 44+594.650	250~0	
45+333.737 ~ 45+400.404	0~250	
45+400.404 ~ 45+410.337	250	
45+410.337 ~ 45+477.004	250~0	
46+289.192 ~ 46+371.478	0~250	
46+371.478 ~ 46+517.121	250	
46+517.121 ~ 46+599.407	250~0	
46+635.098 ~ 46+747.598	0~250	
46+747.598 ~ 46+916.208	250	
46+916.208 ~ 47+ 0.708	250~0	



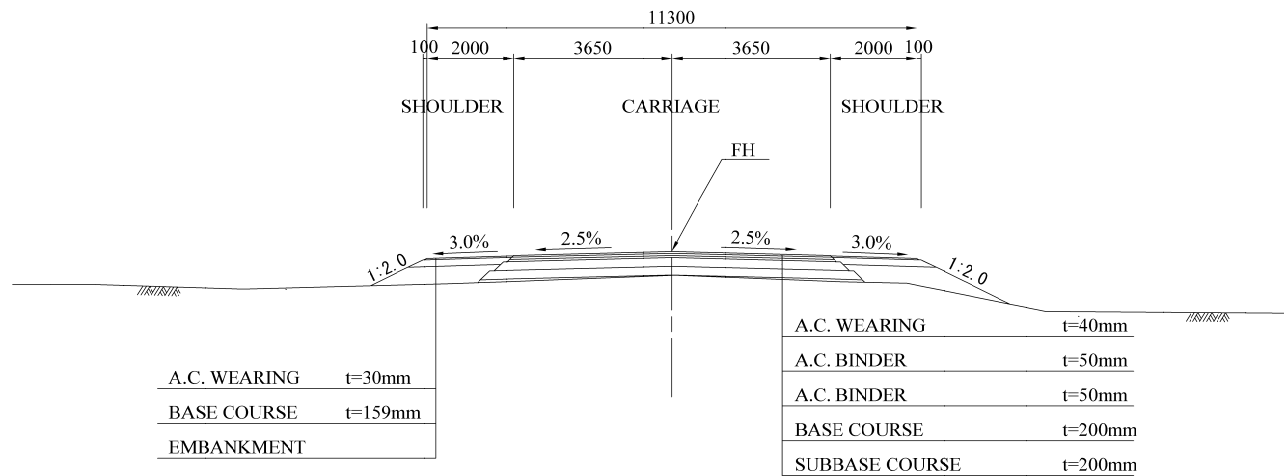
MINISTRY OF TRANSPORTATION THE REPUBLIC OF GHANA JAPAN INTERNATIONAL COOPERATION AGENCY	CONSULTANTS:	PROJECT NAME:	DRAWING TITLE:	DATE:	DRAWING No.:
	CONSTRUCTION PROJECT CONSULTANTS, INC. (CPC)	BASIC DESIGN STUDY ON THE PROJECT FOR THE REHABILITATION OF NATIONAL TRUNK ROAD N8	TYPICAL CROSS SECTION (1)	PREPARED BY: CHECKED BY:	BD-1

TYPICAL CROSS SECTION(2) SCALE A3 1:100

APPROACH FOR PRASO BRIDGE SECTION(TYPE-2-1)



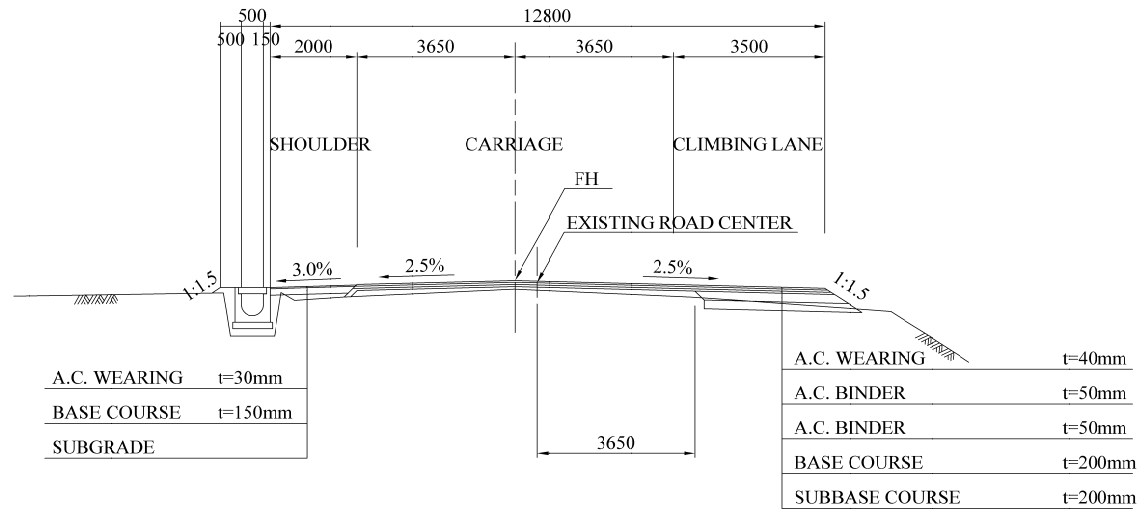
RAISING OF EXISING ROAD SECTION(TYPE-2-2)



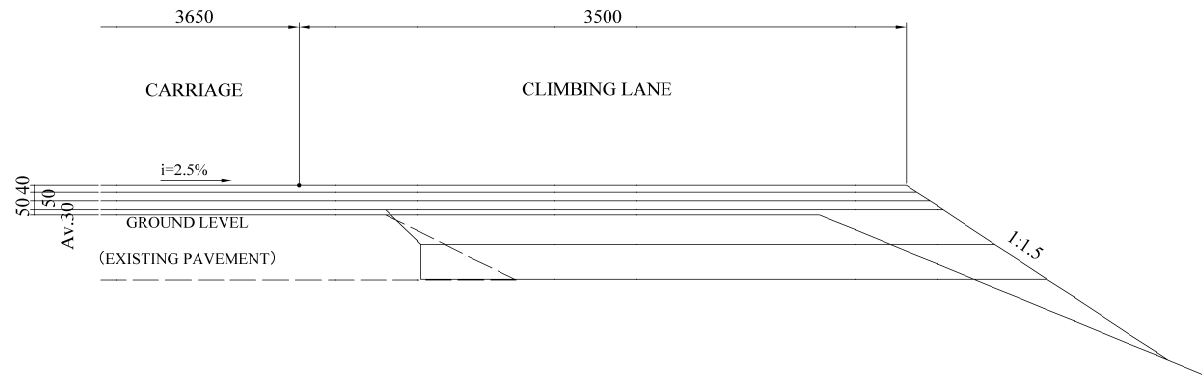
MINISTRY OF TRANSPORTATION THE REPUBLIC OF GHANA JAPAN INTERNATIONAL COOPERATION AGENCY	CONSULTANTS:	PROJECT NAME:	DRAWING TITLE:	DATE:	DRAWING No.:
	CONSTRUCTION PROJECT CONSULTANTS, INC. (CPC)	BASIC DESIGN STUDY ON THE PROJECT FOR THE REHABILITATION OF NATIONAL TRUNK ROAD N8	TYPICAL CROSS SECTION (2)	PREPARED BY: CHECKED BY:	BD-2

TYPICAL CROSS SECTION(3) SCALE A3 1:100

MOUNTAIN SECTION (TYPE-3)

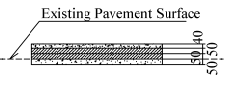
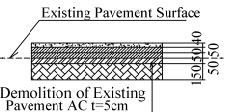
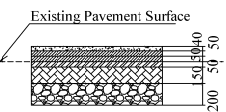
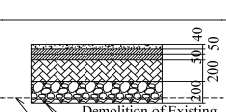
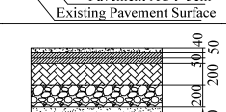
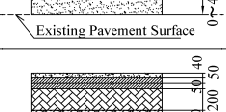



EDGE OF PAVEMENT SCALE A3 1:25



MINISTRY OF TRANSPORTATION THE REPUBLIC OF GHANA JAPAN INTERNATIONAL COOPERATION AGENCY	CONSULTANTS:	PROJECT NAME:	DRAWING TITLE:	DATE:	DRAWING No.:
	CONSTRUCTION PROJECT CONSULTANTS, INC. (CPC)	BASIC DESIGN STUDY ON THE PROJECT FOR THE REHABILITATION OF NATIONAL TRUNK ROAD N8	TYPICAL CROSS SECTION (3)	PREPARED BY:	BD-3
				CHECKED BY:	

PAVEMENT STRUCTURE

Type	Section		Pavement Structure	Planned Pavement Structure Type											
	Total Thickness	Overlay Section		TYPE-1 (1/2)			TYPE-1 (3/2)			TYPE-2			TYPE-3		
Type-1	t=140mm		Wearing Course AC t=40mm Binder Course (2nd layer) AC t=50mm Binder Course (1st layer) AC t=50mm Existing Pavement AC t=50mm NOTES: Levelling layer which is average 3cm thickness is installed between existing pavement and 1st binder course	Station			Station			Station			Station		
				Distance (m)	Ratio of Road (Left/Right)	Actual Distance (m)	Distance (m)	Ratio of Road (Left/Right)	Actual Distance (m)	Distance (m)	Ratio of Road (Left/Right)	Actual Distance (m)	Distance (m)	Ratio of Road (Left/Right)	Actual Distance (m)
Type-2	t=340mm		Wearing Course AC t=40mm Binder Course (2nd layer) AC t=50mm Binder Course (1st layer) AC t=50mm Patching layer AC t=50mm Base Course (Granular Crushed Rock Materials) t=150mm NOTES: Levelling layer which is average 3cm thickness is installed between patching layer and 1st binder course	Station			Station			Station			Station		
				Distance (m)	Ratio of Road (Left/Right)	Actual Distance (m)	Distance (m)	Ratio of Road (Left/Right)	Actual Distance (m)	Distance (m)	Ratio of Road (Left/Right)	Actual Distance (m)	Distance (m)	Ratio of Road (Left/Right)	Actual Distance (m)
Type-3	t=540mm		Wearing Course AC t=40mm Binder Course (2nd layer) AC t=50mm Binder Course (1st layer) AC t=50mm Replacing AC t=50mm Base Course (Granular Crushed Rock Materials) t=150mm Subbase Course (Granular Materials) t=200mm NOTES: Levelling layer which is average 3cm thickness is installed between replacing layer and 1st binder course	Station			Station			Station			Station		
				Distance (m)	Ratio of Road (Left/Right)	Actual Distance (m)	Distance (m)	Ratio of Road (Left/Right)	Actual Distance (m)	Distance (m)	Ratio of Road (Left/Right)	Actual Distance (m)	Distance (m)	Ratio of Road (Left/Right)	Actual Distance (m)
Type-4	t=540mm		Wearing Course AC t=40mm Binder Course (2nd layer) AC t=50mm Binder Course (1st layer) AC t=50mm Base Course (Granular Crushed Rock Materials) t=200mm Subbase Course (Granular Materials) t=200mm	Station			Station			Station			Station		
				Distance (m)	Ratio of Road (Left/Right)	Actual Distance (m)	Distance (m)	Ratio of Road (Left/Right)	Actual Distance (m)	Distance (m)	Ratio of Road (Left/Right)	Actual Distance (m)	Distance (m)	Ratio of Road (Left/Right)	Actual Distance (m)
Type-5	t=540~1000mm		Wearing Course AC t=40mm Binder Course (2nd layer) AC t=50mm Binder Course (1st layer) AC t=50mm Base Course (Granular Crushed Rock Materials) t=200mm Subbase Course (Granular Materials) t=200mm Sub-grade t=0~460mm	Station			Station			Station			Station		
				Distance (m)	Ratio of Road (Left/Right)	Actual Distance (m)	Distance (m)	Ratio of Road (Left/Right)	Actual Distance (m)	Distance (m)	Ratio of Road (Left/Right)	Actual Distance (m)	Distance (m)	Ratio of Road (Left/Right)	Actual Distance (m)
Type-6	t=540~1000mm		Wearing Course AC t=40mm Binder Course (2nd layer) AC t=50mm Binder Course (1st layer) AC t=50mm Base Course (Granular Crushed Rock Materials) t=200mm Subbase Course (Granular Materials) t=200mm Sub-grade t=0~460mm	Station			Station			Station			Station		
				Distance (m)	Ratio of Road (Left/Right)	Actual Distance (m)	Distance (m)	Ratio of Road (Left/Right)	Actual Distance (m)	Distance (m)	Ratio of Road (Left/Right)	Actual Distance (m)	Distance (m)	Ratio of Road (Left/Right)	Actual Distance (m)
Type-7	tmax=800mm		Wearing Course AC t=40mm Binder Course (2nd layer) AC t=50mm Binder Course (1st layer) AC t=50mm Base Course (Granular Crushed Rock Materials) t=200mm Subbase Course (Granular Materials) t=200mm Sub-grade t=0~460mm Fill Materials t=0~700mm	Station			Station			Station			Station		
				Distance (m)	Ratio of Road (Left/Right)	Actual Distance (m)	Distance (m)	Ratio of Road (Left/Right)	Actual Distance (m)	Distance (m)	Ratio of Road (Left/Right)	Actual Distance (m)	Distance (m)	Ratio of Road (Left/Right)	Actual Distance (m)

19 - V

MINISTRY OF TRANSPORTATION
THE REPUBLIC OF GHANA
JAPAN INTERNATIONAL COOPERATION AGENCY

CONSULTANTS:
CONSTRUCTION PROJECT
CONSULTANTS, INC. (CPC)

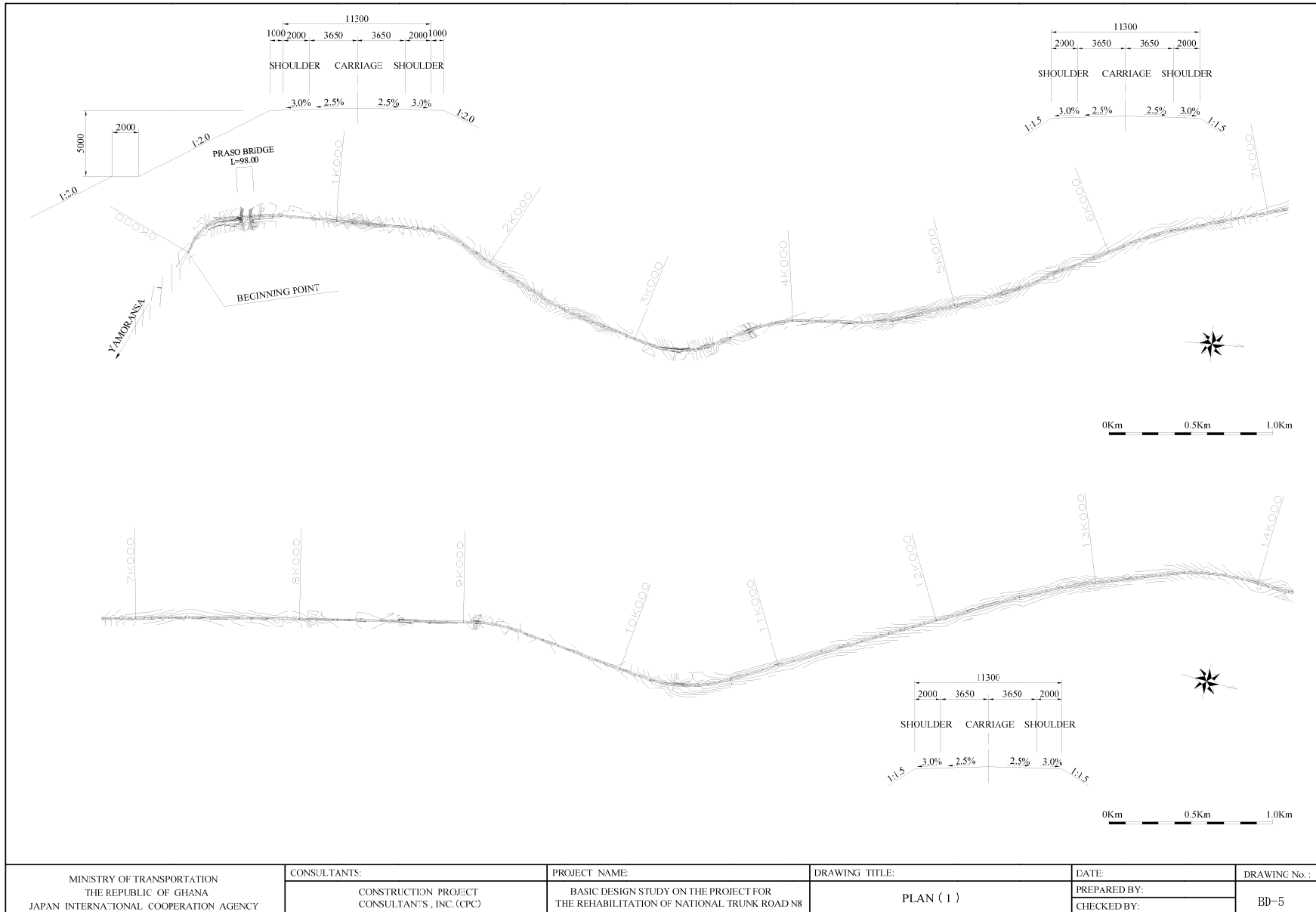
PROJECT NAME:
BASIC DESIGN STUDY ON THE PROJECT FOR
THE REHABILITATION OF NATIONAL TRUNK ROAD N8

DRAWING TITLE:
PAVEMENT STRUCTURE

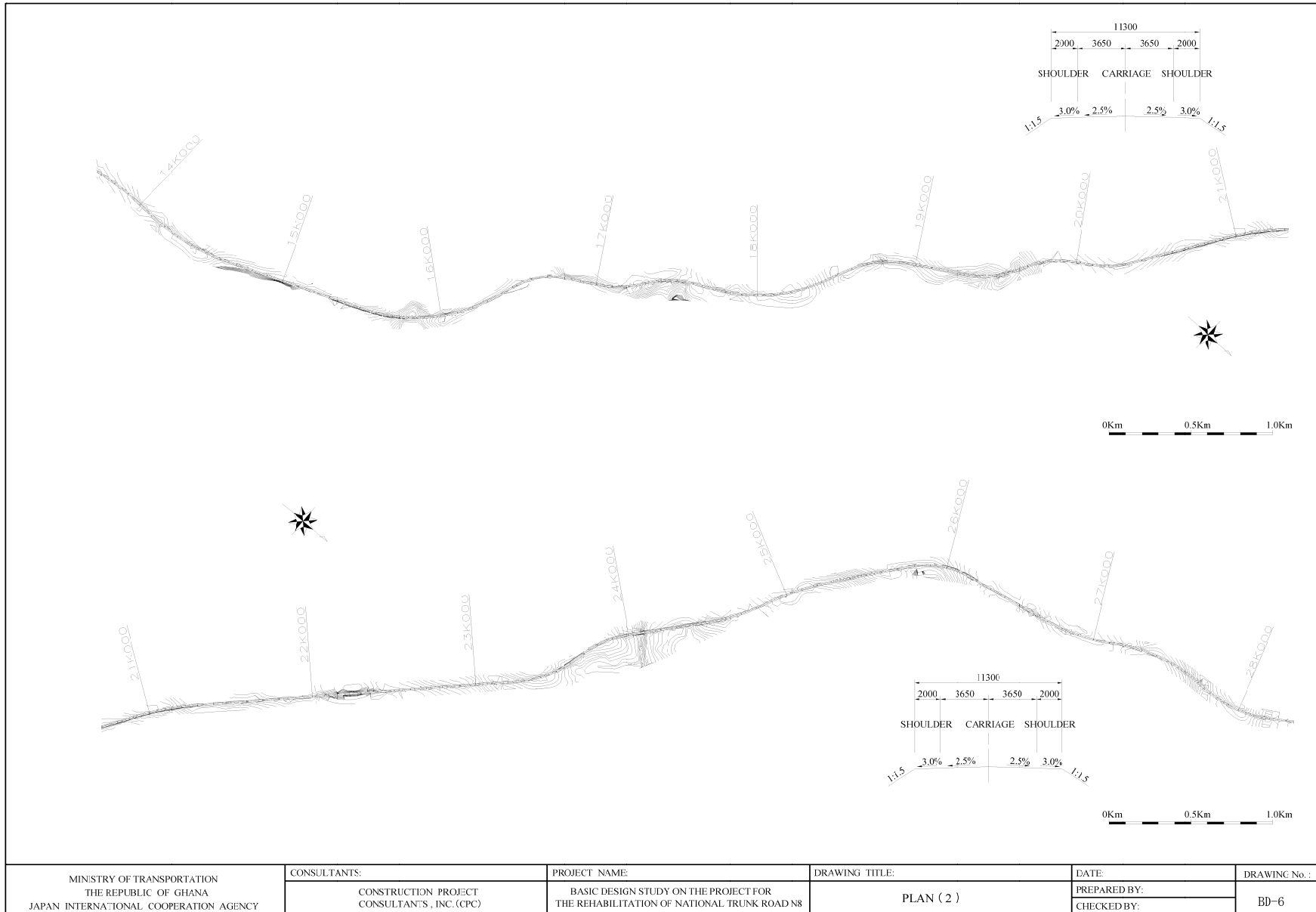
DATE:
PREPARED BY:
CHECKED BY:

DRAWING NO. :
BD-4

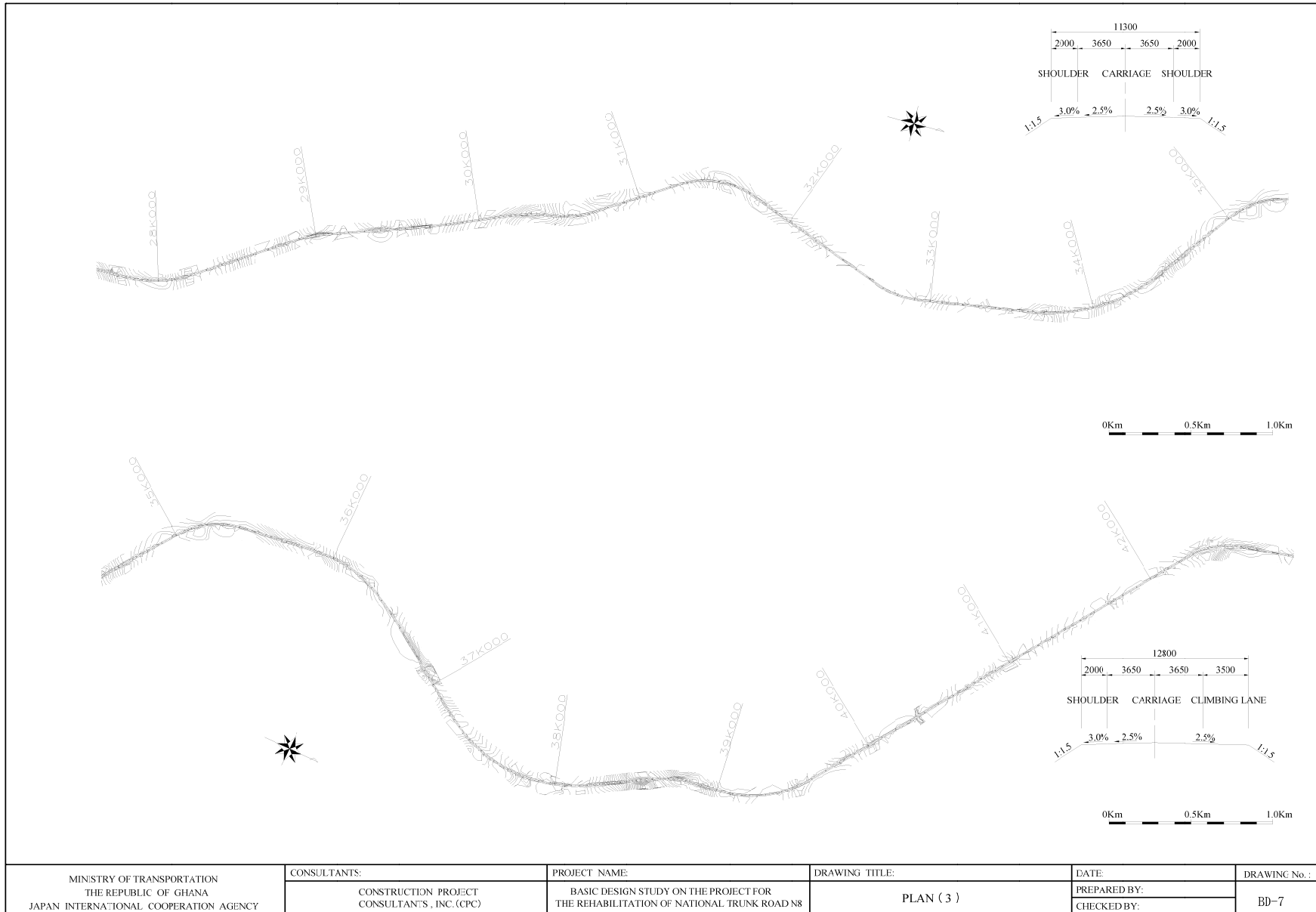
Notes:
1. Station km in the above table for the planned pavement structure type is 497m behind the planned station km on the horizontal and longitudinal profile drawing.
2. Station km in the above table for the planned pavement structure type is 497m behind the planned station km on the horizontal and longitudinal profile drawing.



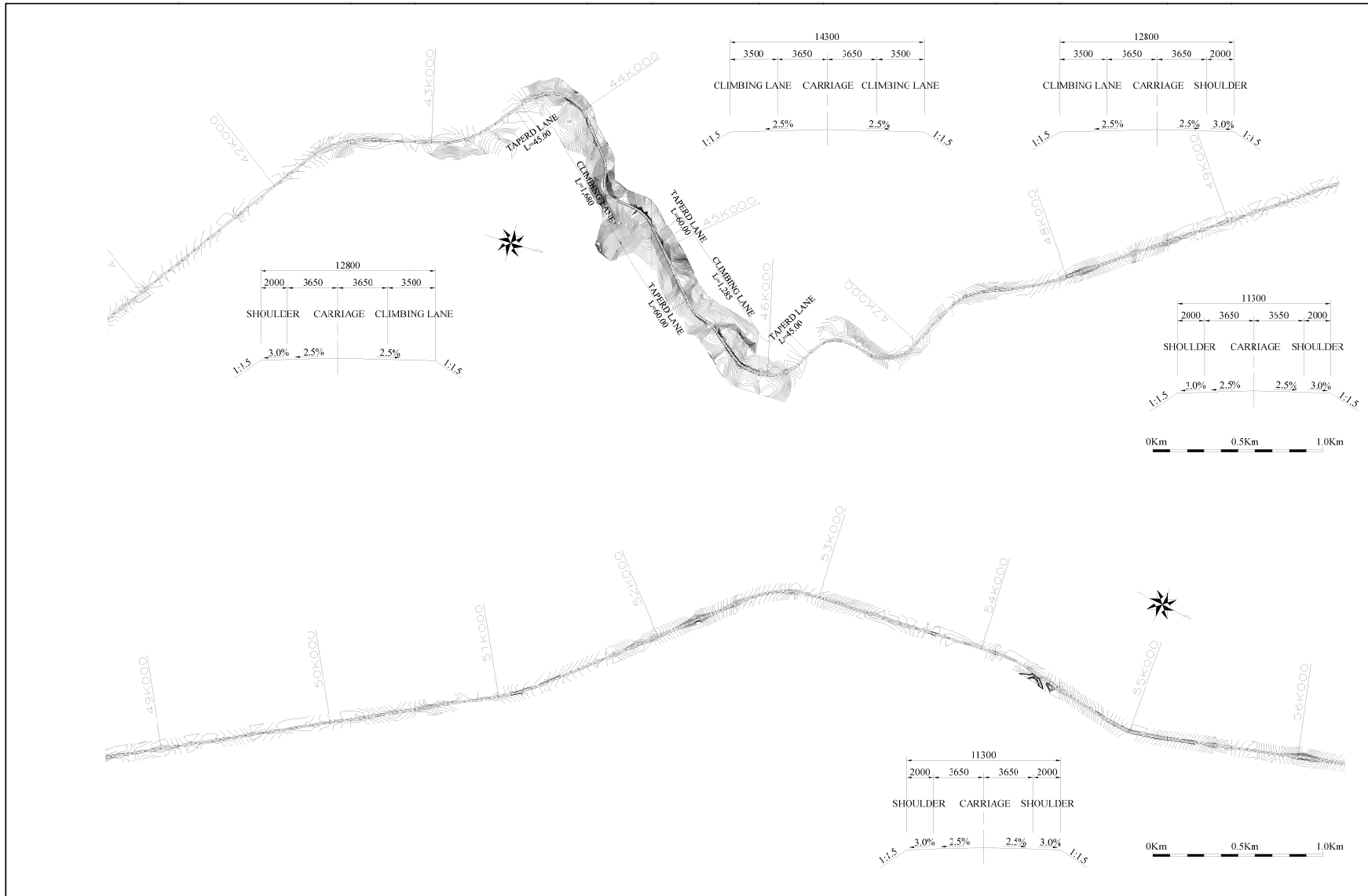
MINISTRY OF TRANSPORTATION THE REPUBLIC OF GHANA JAPAN INTERNATIONAL COOPERATION AGENCY	CONSULTANTS: CONSTRUCTION PROJECT CONSULTANTS, INC. (CPC)	PROJECT NAME: BASIC DESIGN STUDY ON THE PROJECT FOR THE REHABILITATION OF NATIONAL TRUNK ROAD N8	DRAWING TITLE: PLAN (1)	DATE: PREPARED BY: CHECKED BY:	DRAWING No. : BD-5
---	---	--	------------------------------	--------------------------------------	-----------------------



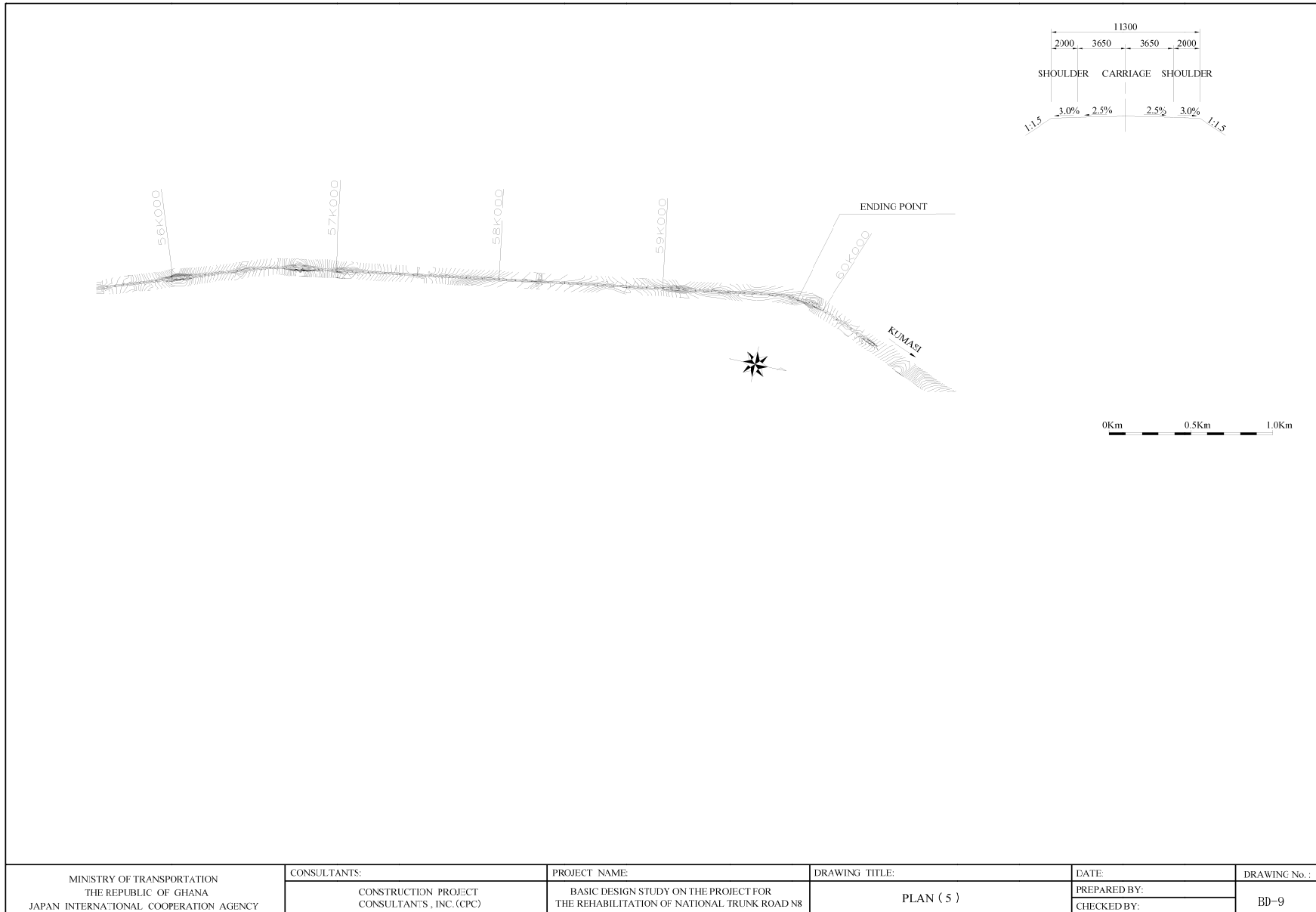
MINISTRY OF TRANSPORTATION THE REPUBLIC OF GHANA JAPAN INTERNATIONAL COOPERATION AGENCY	CONSULTANTS: CONSTRUCTION PROJECT CONSULTANTS, INC. (CPC)	PROJECT NAME: BASIC DESIGN STUDY ON THE PROJECT FOR THE REHABILITATION OF NATIONAL TRUNK ROAD N8	DRAWING TITLE: PLAN (2)	DATE: PREPARED BY: CHECKED BY:	DRAWING No. : BD-6
---	---	--	------------------------------	--------------------------------------	-----------------------



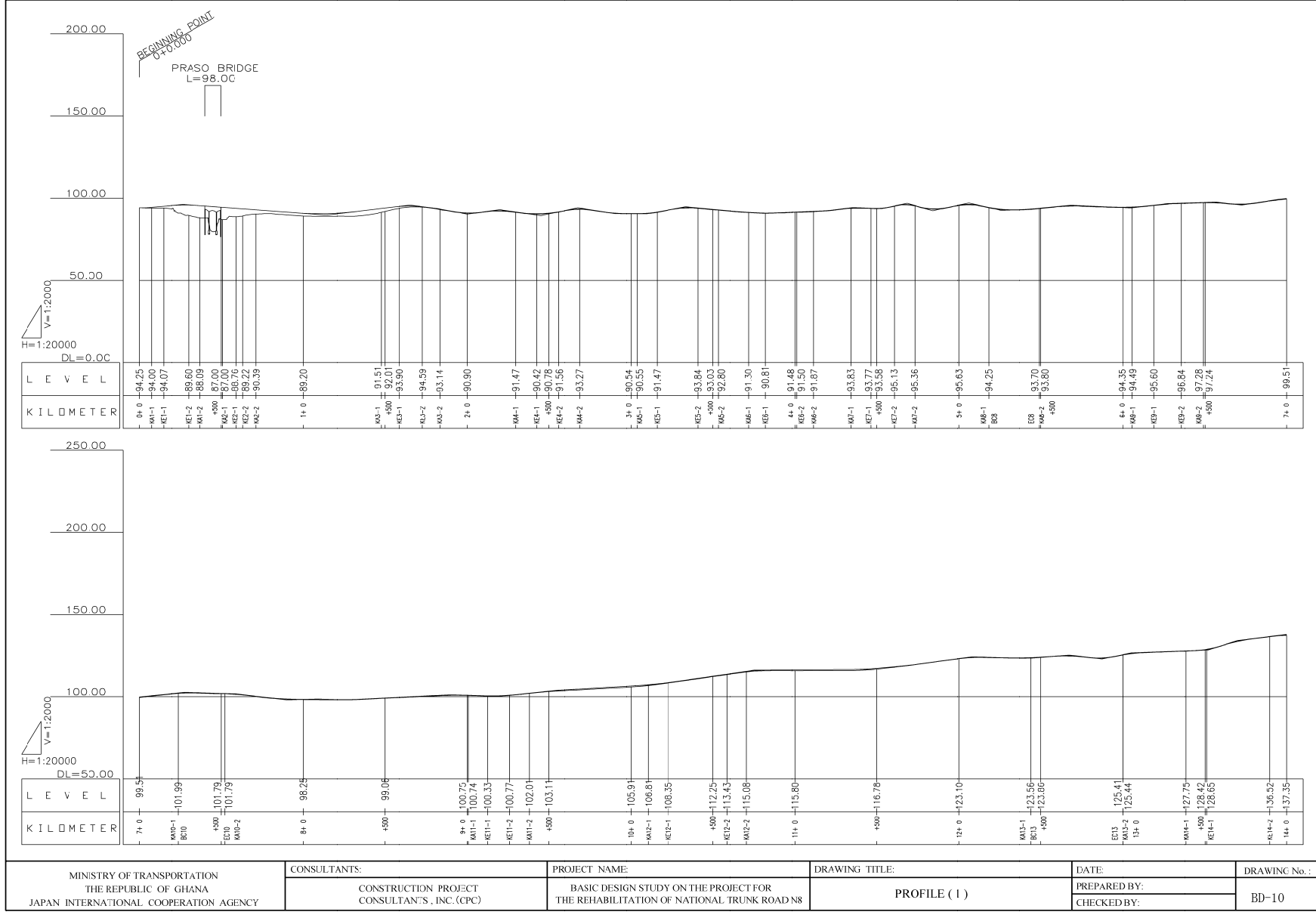
MINISTRY OF TRANSPORTATION THE REPUBLIC OF GHANA JAPAN INTERNATIONAL COOPERATION AGENCY	CONSULTANTS:	PROJECT NAME:	DRAWING TITLE:	DATE:	DRAWING No.:
	CONSTRUCTION PROJECT CONSULTANTS, INC. (CPC)	BASIC DESIGN STUDY ON THE PROJECT FOR THE REHABILITATION OF NATIONAL TRUNK ROAD N8	PLAN (3)	PREPARED BY: CHECKED BY:	BD-7



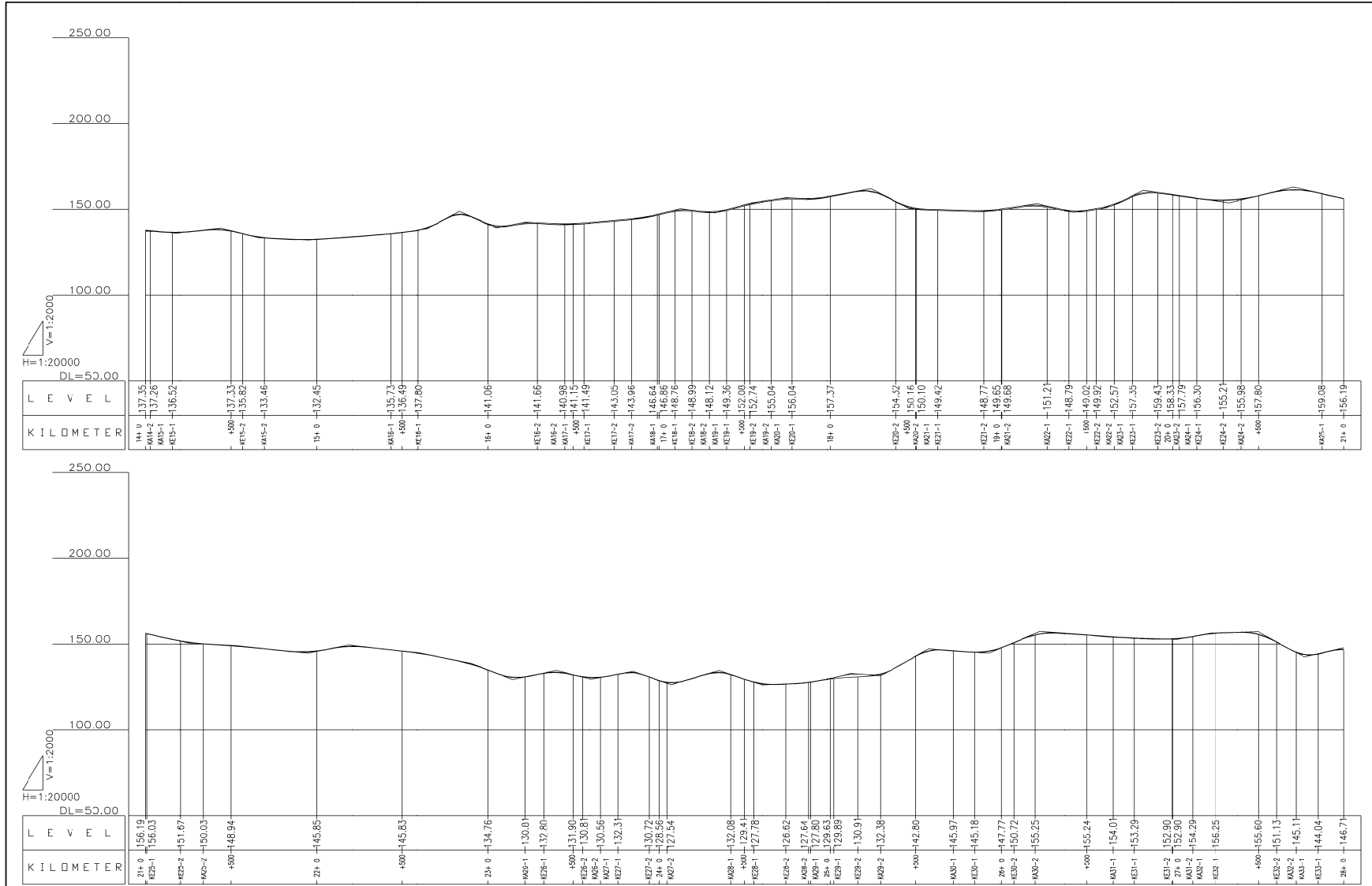
MINISTRY OF TRANSPORTATION THE REPUBLIC OF GHANA JAPAN INTERNATIONAL COOPERATION AGENCY	CONSULTANTS: CONSTRUCTION PROJECT CONSULTANTS, INC. (CPC)	PROJECT NAME: BASIC DESIGN STUDY ON THE PROJECT FOR THE REHABILITATION OF NATIONAL TRUNK ROAD N8	DRAWING TITLE: PLAN (4)	DATE: PREPARED BY: CHECKED BY:	DRAWING No. : BD-8
---	---	--	------------------------------	--------------------------------------	-----------------------



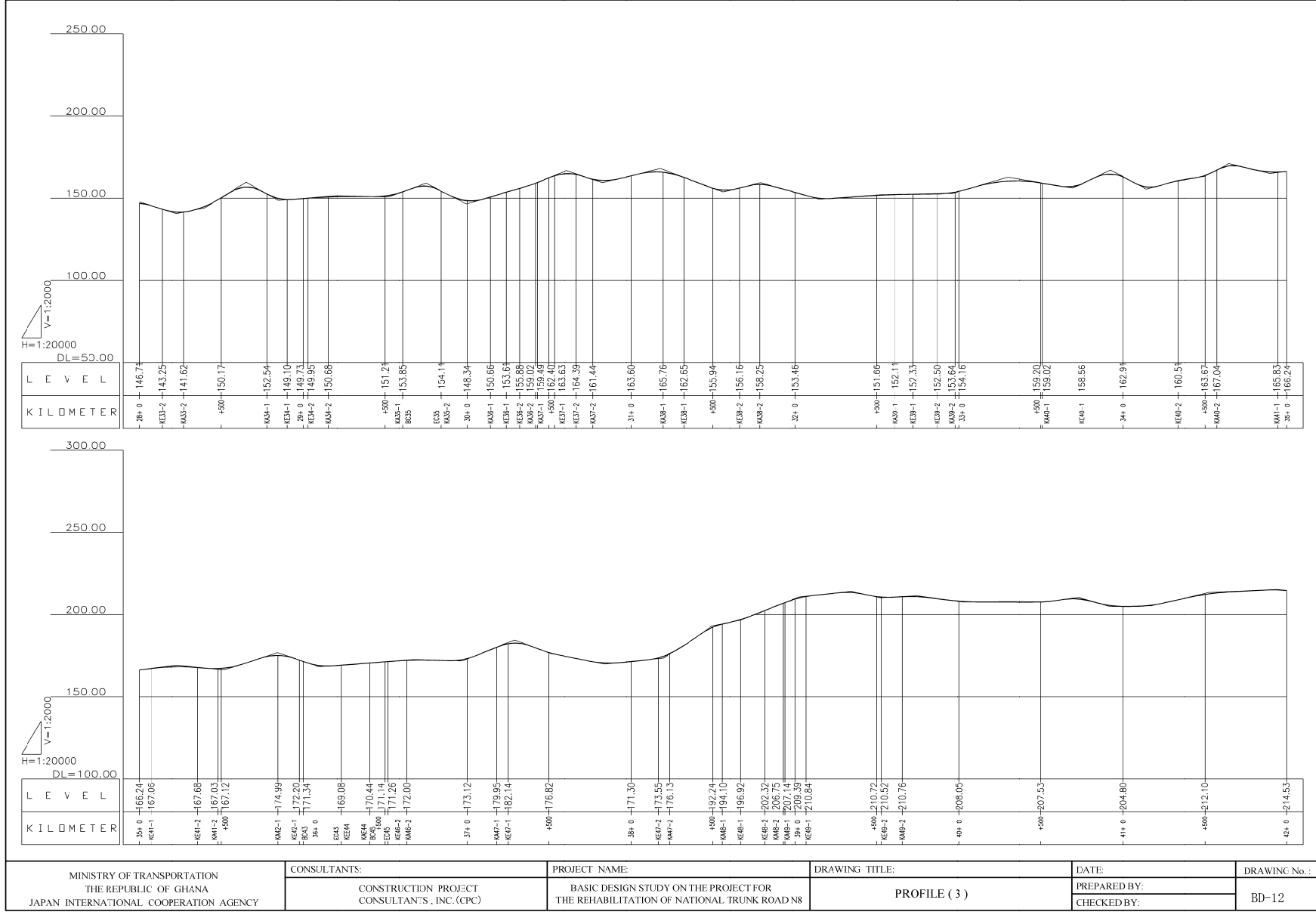
MINISTRY OF TRANSPORTATION THE REPUBLIC OF GHANA JAPAN INTERNATIONAL COOPERATION AGENCY	CONSULTANTS:	PROJECT NAME:	DRAWING TITLE:	DATE:	DRAWING No.:
	CONSTRUCTION PROJECT CONSULTANTS, INC. (CPC)	BASIC DESIGN STUDY ON THE PROJECT FOR THE REHABILITATION OF NATIONAL TRUNK ROAD N8	PLAN (5)	PREPARED BY: CHECKED BY:	BD-9



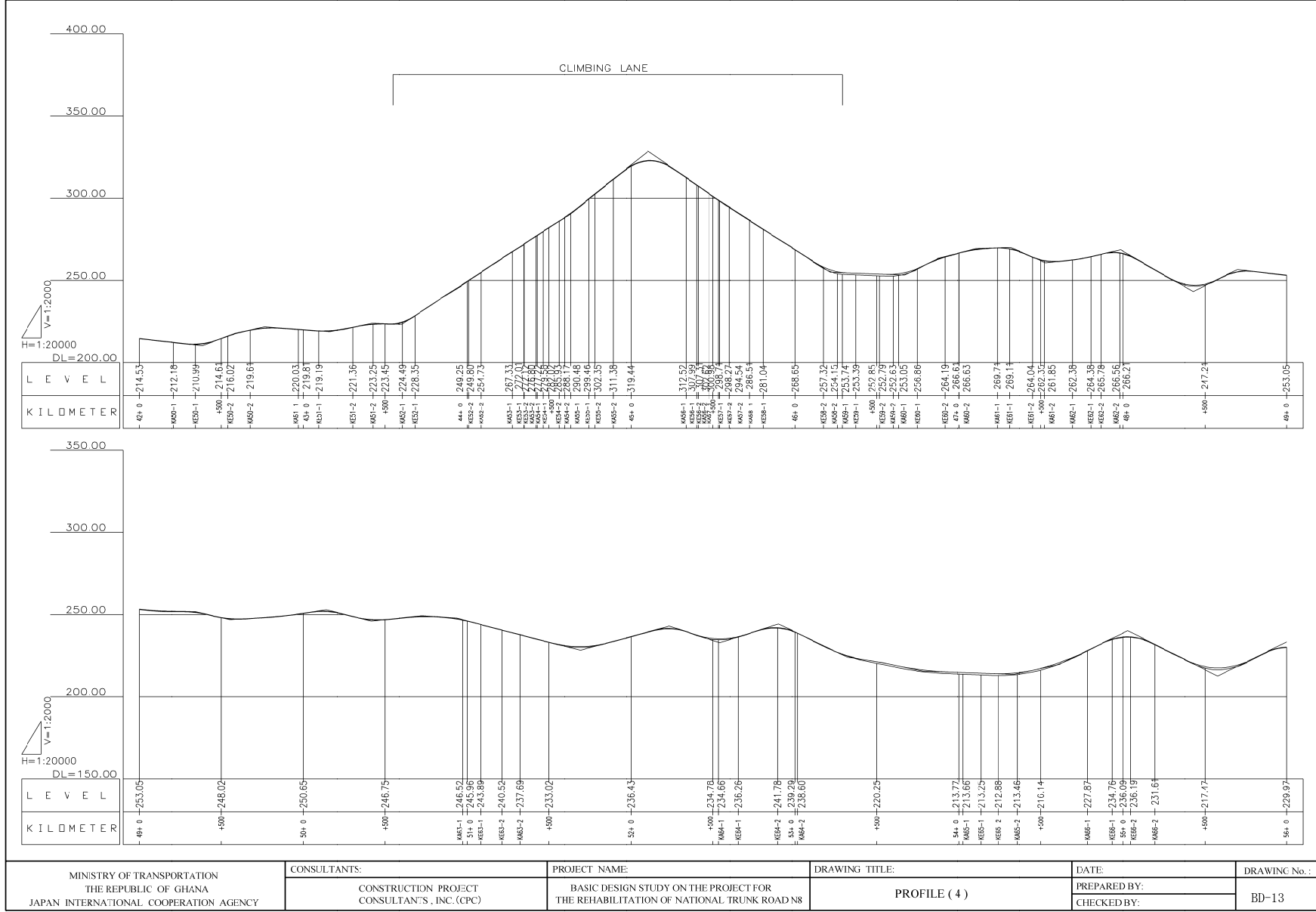
MINISTRY OF TRANSPORTATION THE REPUBLIC OF GHANA JAPAN INTERNATIONAL COOPERATION AGENCY	CONSULTANTS:	PROJECT NAME:	DRAWING TITLE:	DATE:	DRAWING No.:
	CONSTRUCTION PROJECT CONSULTANTS, INC. (CPC)	BASIC DESIGN STUDY ON THE PROJECT FOR THE REHABILITATION OF NATIONAL TRUNK ROAD N8	PROFILE (1)	PREPARED BY: CHECKED BY:	BD-10



MINISTRY OF TRANSPORTATION THE REPUBLIC OF GHANA JAPAN INTERNATIONAL COOPERATION AGENCY	CONSULTANTS:	PROJECT NAME:	DRAWING TITLE:	DATE:	DRAWING No.:
	CONSTRUCTION PROJECT CONSULTANTS, INC. (CPC)	BASIC DESIGN STUDY ON THE PROJECT FOR THE REHABILITATION OF NATIONAL TRUNK ROAD N8	PROFILE (2)	PREPARED BY: CHECKED BY:	BD-11

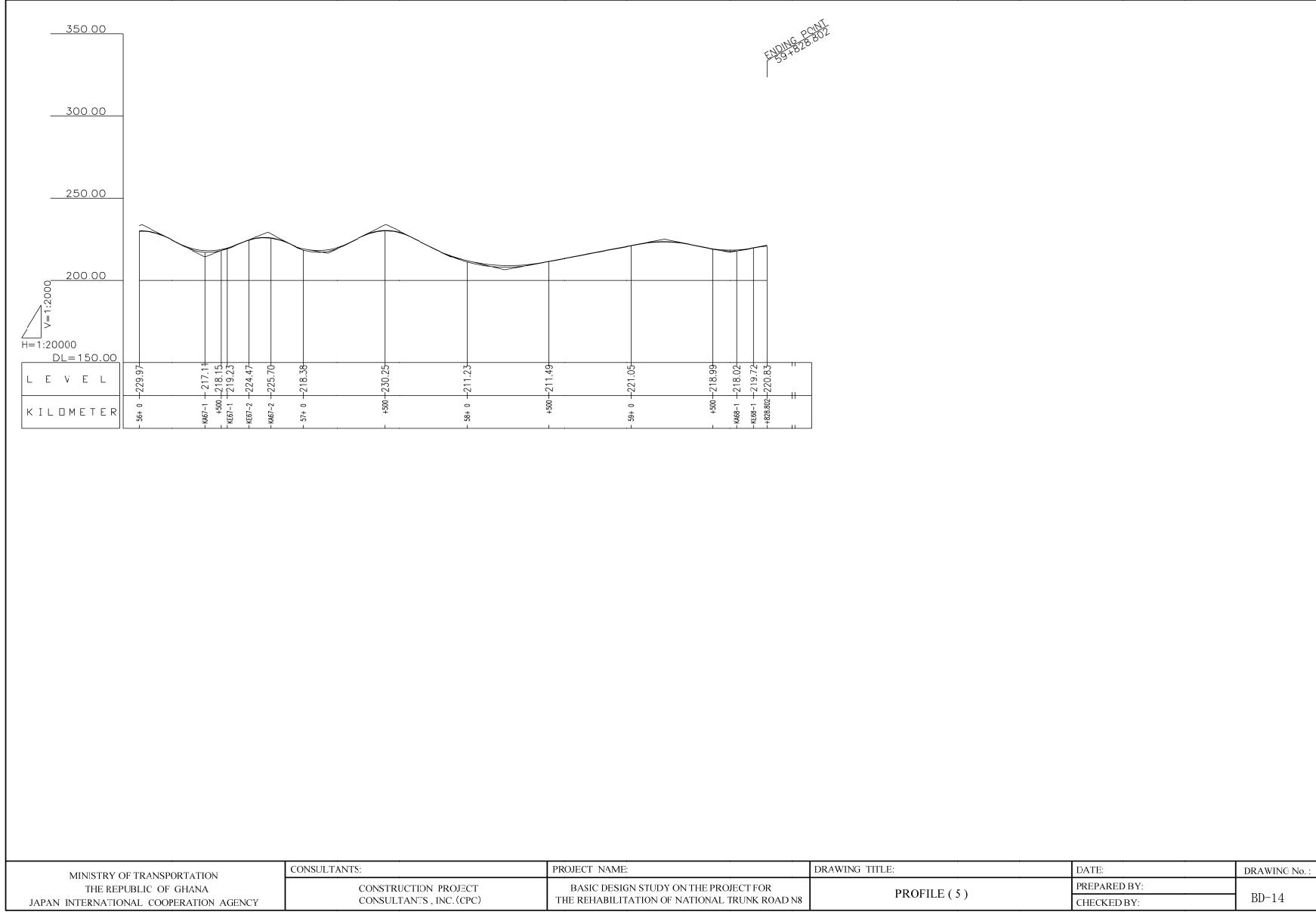


MINISTRY OF TRANSPORTATION THE REPUBLIC OF GHANA JAPAN INTERNATIONAL COOPERATION AGENCY	CONSULTANTS:	PROJECT NAME:	DRAWING TITLE:	DATE:	DRAWING No.:
	CONSTRUCTION PROJECT CONSULTANTS, INC. (CPC)	BASIC DESIGN STUDY ON THE PROJECT FOR THE REHABILITATION OF NATIONAL TRUNK ROAD N8	PROFILE (3)	PREPARED BY: CHECKED BY:	BD-12



MINISTRY OF TRANSPORTATION THE REPUBLIC OF GHANA JAPAN INTERNATIONAL COOPERATION AGENCY	CONSULTANTS:	PROJECT NAME:	DRAWING TITLE:	DATE:	DRAWING No.:
	CONSTRUCTION PROJECT CONSULTANTS, INC. (CPC)	BASIC DESIGN STUDY ON THE PROJECT FOR THE REHABILITATION OF NATIONAL TRUNK ROAD N8	PROFILE (4)	PREPARED BY: CHECKED BY:	BD-13

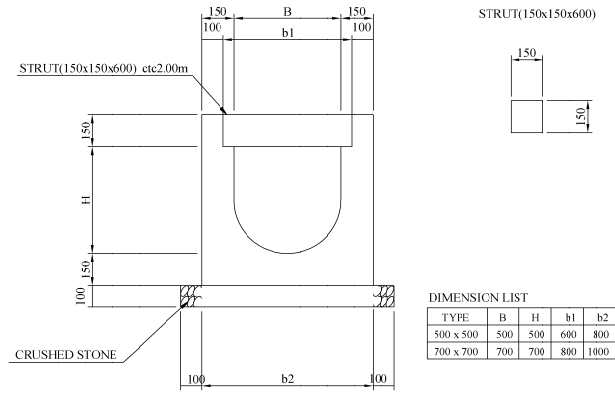
A-71



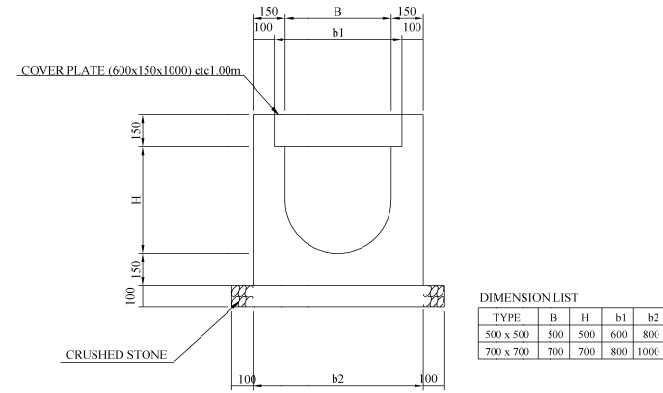
MINISTRY OF TRANSPORTATION THE REPUBLIC OF GHANA JAPAN INTERNATIONAL COOPERATION AGENCY	CONSULTANTS:	PROJECT NAME:	DRAWING TITLE:	DATE:	DRAWING No.:
	CONSTRUCTION PROJECT CONSULTANTS, INC. (CPC)	BASIC DESIGN STUDY ON THE PROJECT FOR THE REHABILITATION OF NATIONAL TRUNK ROAD N8	PROFILE (5)	PREPARED BY: CHECKED BY:	BD-14

DRAINAGE STRUCTURE (1) SCALE AS SHOWN

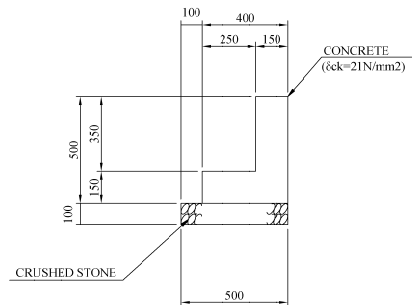
U-TYPE SIDE DITCH SCALE A3 1:20



U-TYPE SIDE DITCH SCALE A3 1:20



U-TYPE SIDE DITCH REPAIRING SCALE A3 1:20

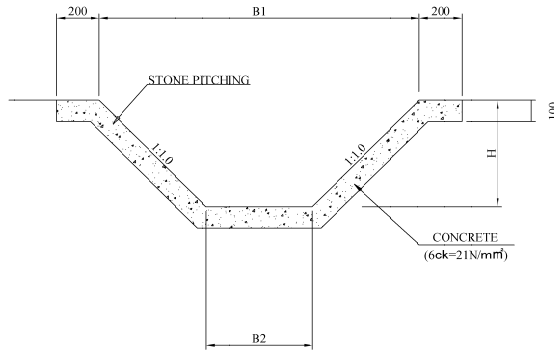


A - 72

MINISTRY OF TRANSPORTATION THE REPUBLIC OF GHANA JAPAN INTERNATIONAL COOPERATION AGENCY	CONSULTANTS:	PROJECT NAME:	DRAWING TITLE:	DATE:	DRAWING No.:
	CONSTRUCTION PROJECT CONSULTANTS, INC. (CPC)	BASIC DESIGN STUDY ON THE PROJECT FOR THE REHABILITATION OF NATIONAL TRUNK ROAD N8	DRAINAGE STRUCTURE (1)	PREPARED BY: CHECKED BY:	BD-15

DRAINAGE STRUCTURE (2) SCALE AS SHOWN

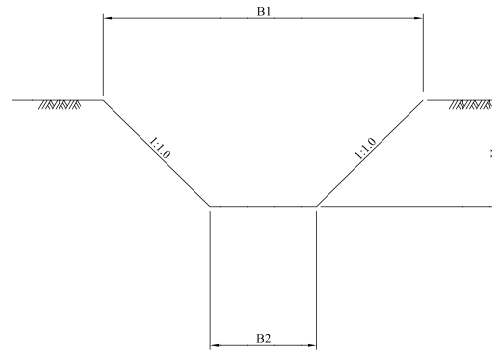
CONCRETE LYING DRAINAGE SCALE A3 1:20



DIMENSION LIST

TYPE	STANDARD	B1	B2	H
TYPE-1	1500 x 500	1500	500	500
TYPE-2	2400 x 800	2400	800	800
TYPE-3	3000 x 1000	3000	1000	1000

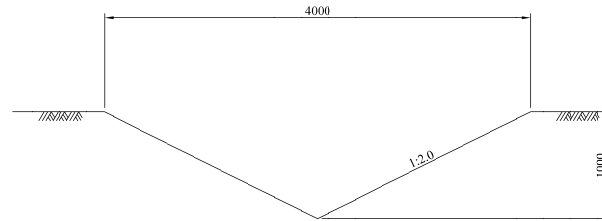
OPEN DRAINAGE TYPE-1,-2,-3 SCALE A3 1:20



DIMENSION LIST

TYPE	STANDARD	B1	B2	H
TYPE-1	1500 x 500	1500	500	500
TYPE-2	2400 x 800	2400	800	800
TYPE-3	3000 x 1000	3000	1000	1000

OPEN DRAINAGE TYPE-4 SCALE A3 1:40



A - 73

MINISTRY OF TRANSPORTATION THE REPUBLIC OF GHANA JAPAN INTERNATIONAL COOPERATION AGENCY	CONSULTANTS:	PROJECT NAME:	DRAWING TITLE:	DATE:	DRAWING No.:
	CONSTRUCTION PROJECT CONSULTANTS, INC. (CPC)	BASIC DESIGN STUDY ON THE PROJECT FOR THE REHABILITATION OF NATIONAL TRUNK ROAD N8	DRAINAGE STRUCTURE (2)	PREPARED BY: CHECKED BY:	BD-16

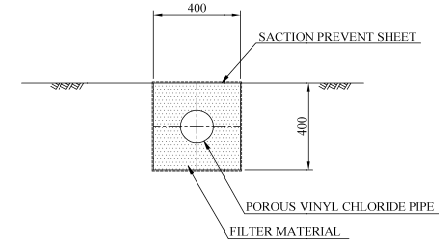
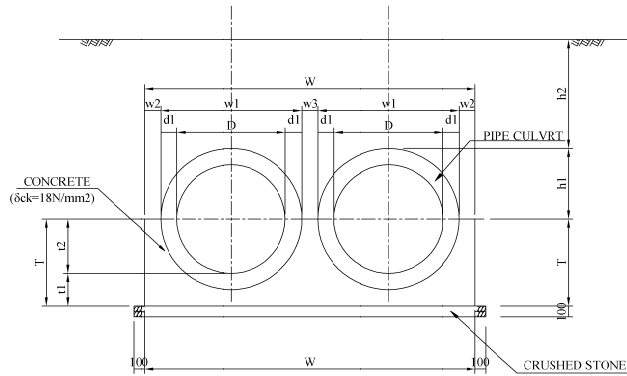
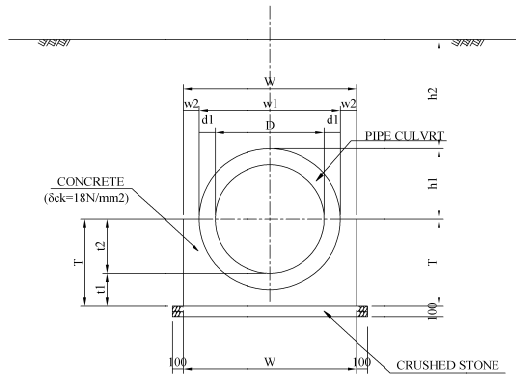
DRAINAGE STRUCTURE (4) SCALE AS SHOWN

PIPE CULVERT SCALE A3 1:40

CLOSED CONDUIT SCALE A3 1:20

TYPE-1-1,1-2,1-3

TYPE-2-1,2-2,2-3

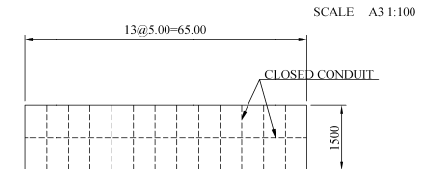


DIMENSION LIST

	D	d1	W	w1	w2	T	t1	t2	h1
TYPE-1-1	900	150	1500	1200	150	750	300	450	600
TYPE-1-2	1000	150	1600	1300	150	800	300	500	650
TYPE-1-3	1200	150	1800	1500	150	900	300	600	750
TYPE-1-4	1500	150	2100	1800	150	1050	300	750	900

DIMENSION LIST

	D	d1	W	w1	w2	w3	T	t1	t2	h1
TYPE-2-1	900	150	2850	1200	150	150	750	300	450	600
TYPE-2-2	1000	150	3050	1300	150	150	800	300	500	650
TYPE-2-3	1200	150	3450	1500	150	150	900	300	600	750
TYPE-2-3	1500	150	4050	1800	150	150	1050	300	750	900



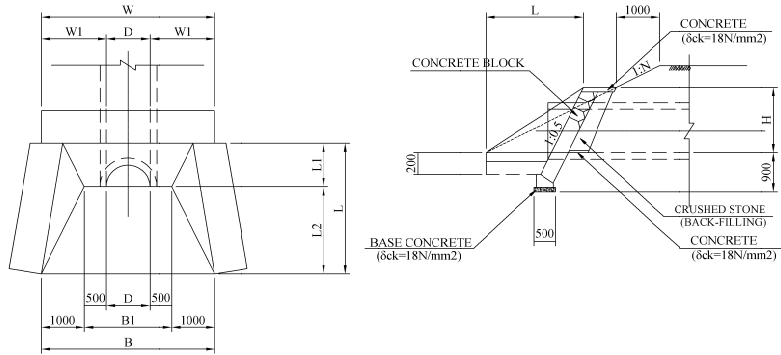
A - 74

MINISTRY OF TRANSPORTATION THE REPUBLIC OF GHANA JAPAN INTERNATIONAL COOPERATION AGENCY	CONSULTANTS: CONSTRUCTION PROJECT CONSULTANTS, INC. (CPC)	PROJECT NAME: BASIC DESIGN STUDY ON THE PROJECT FOR THE REHABILITATION OF NATIONAL TRUNK ROAD N8	DRAWING TITLE: DRAINAGE STRUCTURE (4)	DATE: PREPARED BY: CHECKED BY:	DRAWING No. : BD-17
---	---	--	--	--------------------------------------	------------------------

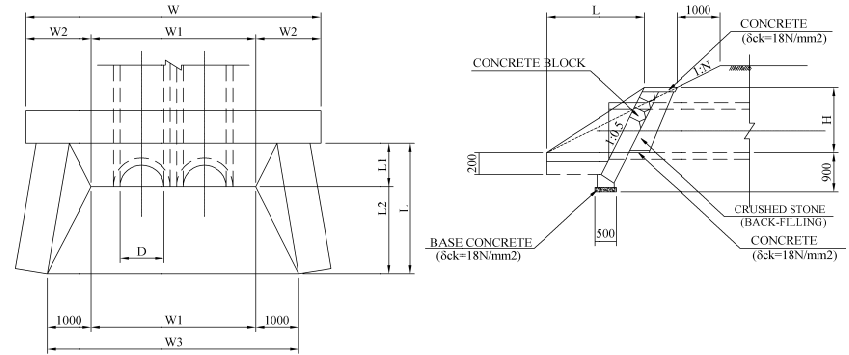
DRAINAGE STRUCTURE(5) SCALE A3 1:100

OUTLET-INLET

TYPE-A



TYPE-A



DIMENSION LIST

TYPE	D	H	L1	L2	B1	B	W1	W
TYPE-1-1	1000	1500	1000	2000	2000	4000	1500	4000
TYPE-1-2	1200	2000	1250	2500	2200	4200	1500	4200
TYPE-1-3	1500	2500	1500	3000	2500	4500	1500	4500

DIMENSION LIST

TYPE	D	H	L1	L2	W1	W2	W3	W
TYPE-2-1	1000	2000	1000	2000	3500	1500	5800	6800
TYPE-2-2	1200	2500	1250	2500	4200	1500	6200	7200
TYPE-2-3	1500	3000	1500	3000	4800	1500	6800	7800

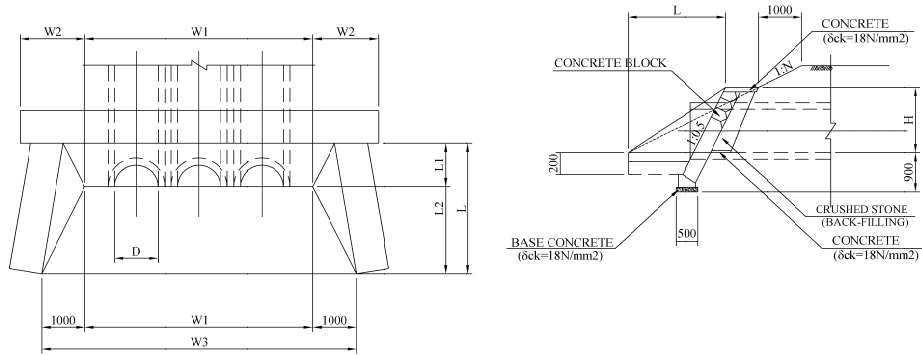
A - 75

MINISTRY OF TRANSPORTATION THE REPUBLIC OF GHANA JAPAN INTERNATIONAL COOPERATION AGENCY	CONSULTANTS:	PROJECT NAME:	DRAWING TITLE:	DATE:	DRAWING No.:
	CONSTRUCTION PROJECT CONSULTANTS, INC.(CPC)	BASIC DESIGN STUDY ON THE PROJECT FOR THE REHABILITATION OF NATIONAL TRUNK ROAD N8	DRAINAGE STRUCTURE(5)	PREPARED BY: CHECKED BY:	BD-18

DRAINAGE STRUCTURE (6) SCALE A3 1:100

OUTLET-INLET

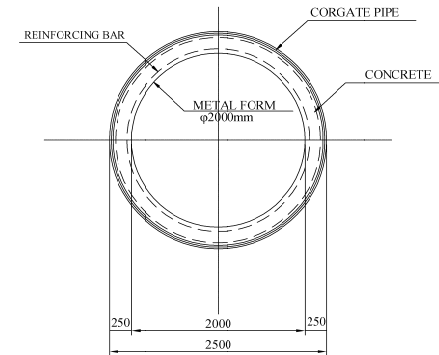
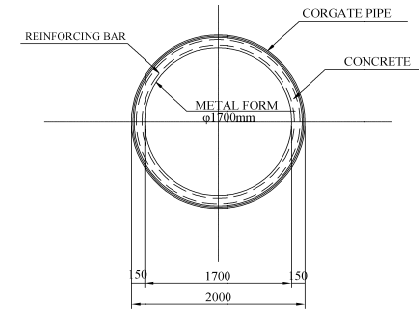
TYPE-A



DIMENSION LIST

TYPE	D	H	L1	L2	W1	W2	W3	w
TYPE-3-1	1000	2000	1000	2000	5250	1500	7250	6800
TYPE-3-2	1200	2500	1250	2500	5850	1500	7850	7200
TYPE-3-3	1500	3000	1500	3000	6750	1500	8750	7800

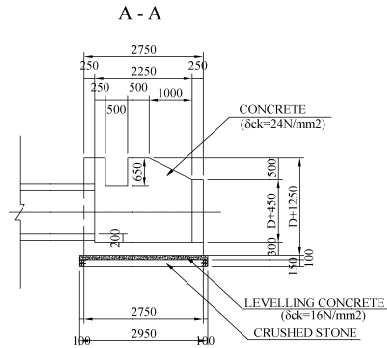
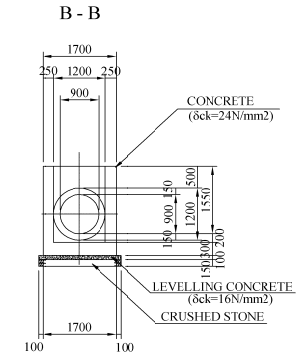
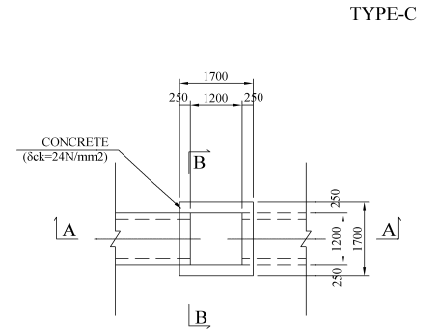
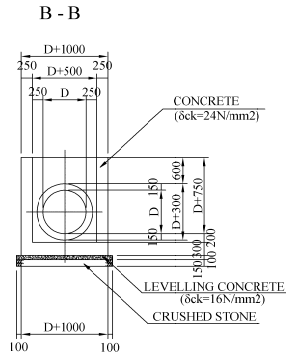
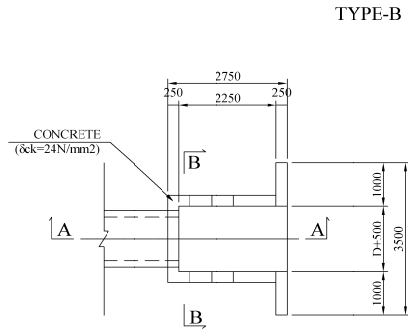
CORGATE PIPE REPAIRING SCALE A3 1:100



MINISTRY OF TRANSPORTATION THE REPUBLIC OF GHANA JAPAN INTERNATIONAL COOPERATION AGENCY	CONSULTANTS: CONSTRUCTION PROJECT CONSULTANTS, INC. (CPC)	PROJECT NAME: BASIC DESIGN STUDY ON THE PROJECT FOR THE REHABILITATION OF NATIONAL TRUNK ROAD N8	DRAWING TITLE: DRAINAGE STRUCTURE (6)	DATE: PREPARED BY: CHECKED BY:	DRAWING No. : BD-19
---	---	--	--	--------------------------------------	------------------------

DRAINAGE STRUCTURE(7) SCALE A3 1:100

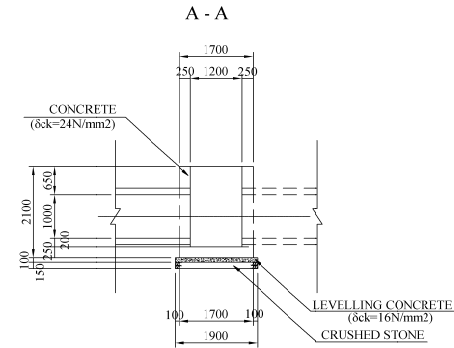
OUTLET-INLET



TYPE-B

DIMENSION LIST

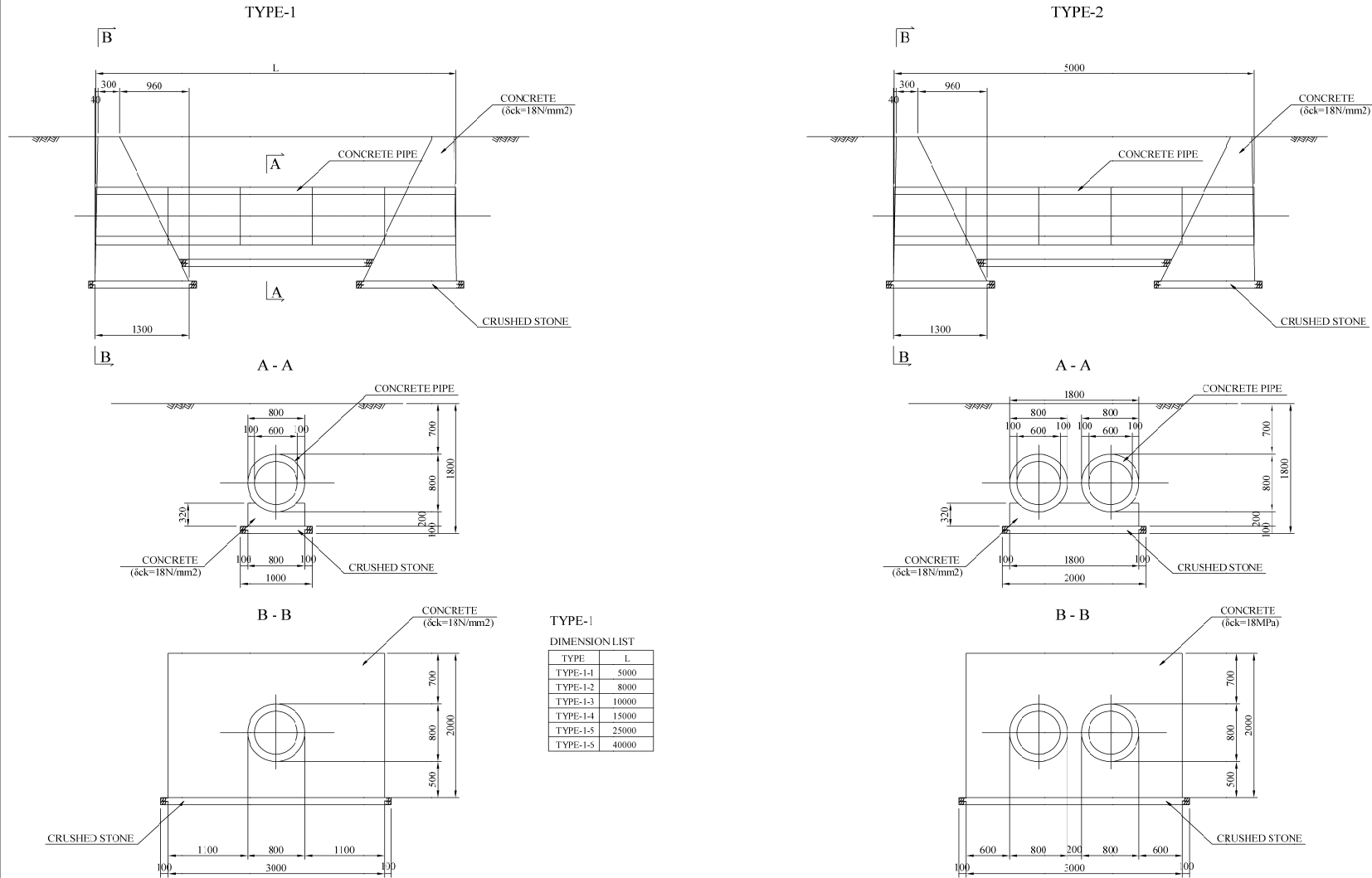
TYPE	D
TYPE-B-1	900
TYPE-B-2	1000
TYPE-B-3	1200
TYPE-B-4	1500



A - 77

MINISTRY OF TRANSPORTATION THE REPUBLIC OF GHANA JAPAN INTERNATIONAL COOPERATION AGENCY	CONSULTANTS: CONSTRUCTION PROJECT CONSULTANTS, INC. (CPC)	PROJECT NAME: BASIC DESIGN STUDY ON THE PROJECT FOR THE REHABILITATION OF NATIONAL TRUNK ROAD N8	DRAWING TITLE: DRAINAGE STRUCTURE(7)	DATE: PREPARED BY: CHECKED BY:	DRAWING No. : BD-20
---	---	--	---	--------------------------------------	------------------------

DRAINAGE STRUCTURE(10) SCALE A3 1:50



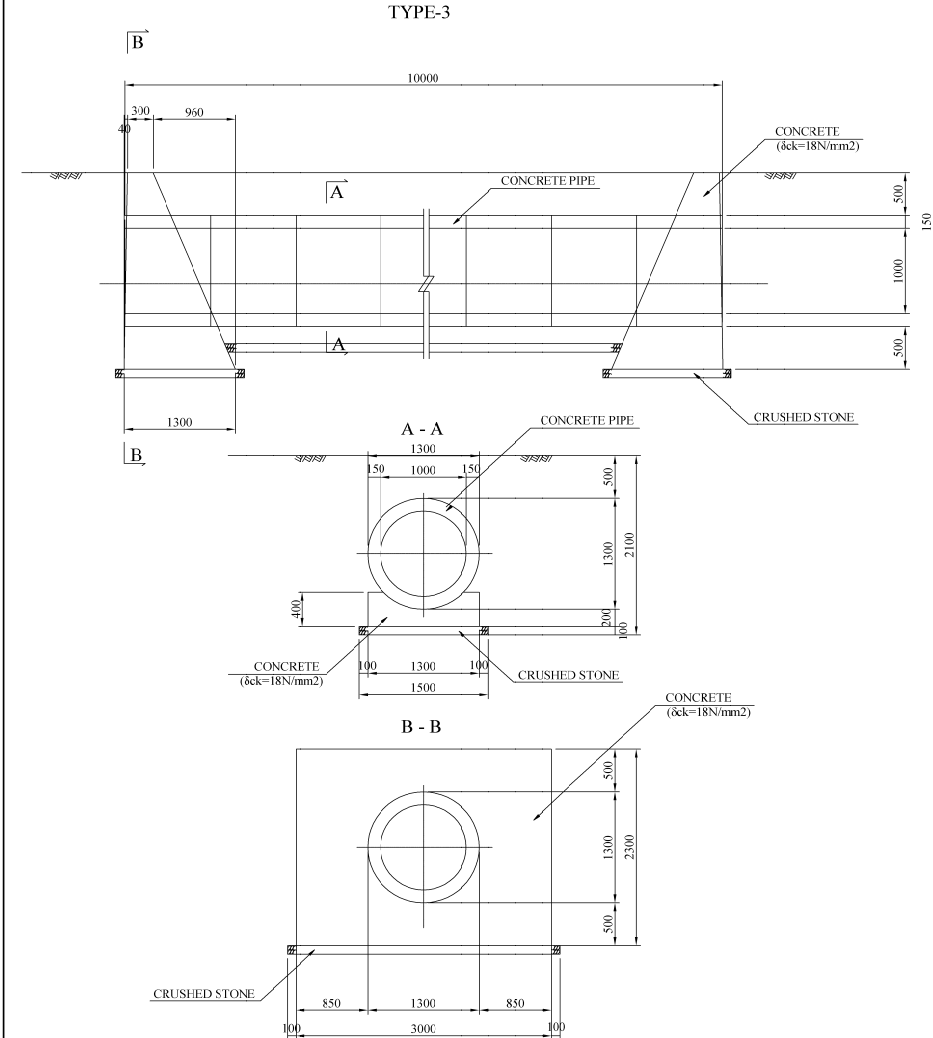
TYPE-1

DIMENSION LIST

TYPE	L
TYPE-1-1	5000
TYPE-1-2	8000
TYPE-1-3	10000
TYPE-1-4	15000
TYPE-1-5	25000
TYPE-1-5	40000

MINISTRY OF TRANSPORTATION THE REPUBLIC OF GHANA JAPAN INTERNATIONAL COOPERATION AGENCY	CONSULTANTS: CONSTRUCTION PROJECT CONSULTANTS, INC.(CPC)	PROJECT NAME: BASIC DESIGN STUDY ON THE PROJECT FOR THE REHABILITATION OF NATIONAL TRUNK ROAD N8	DRAWING TITLE: DRAINAGE STRUCTURE(10)	DATE: PREPARED BY: CHECKED BY:	DRAWING No. : BD-21
---	--	--	--	--------------------------------------	------------------------

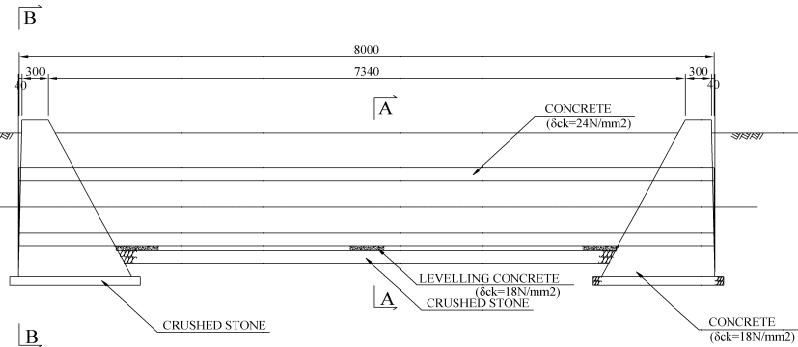
DRAINAGE STRUCTURE(11) SCALE A3 1:50



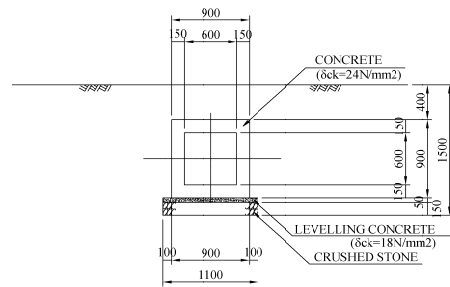
MINISTRY OF TRANSPORTATION THE REPUBLIC OF GHANA JAPAN INTERNATIONAL COOPERATION AGENCY	CONSULTANTS:	PROJECT NAME:	DRAWING TITLE:	DATE:	DRAWING No.:
	CONSTRUCTION PROJECT CONSULTANTS, INC. (CPC)	BASIC DESIGN STUDY ON THE PROJECT FOR THE REHABILITATION OF NATIONAL TRUNK ROAD N8	DRAINAGE STRUCTURE(11)	PREPARED BY: CHECKED BY:	BD-22

DRAINAGE STRUCTURE(12) SCALE A3 1:50

TYPE-4

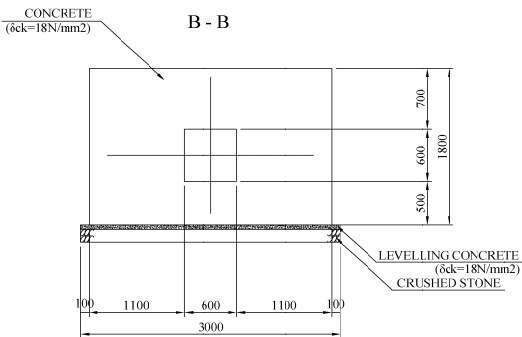


A - A

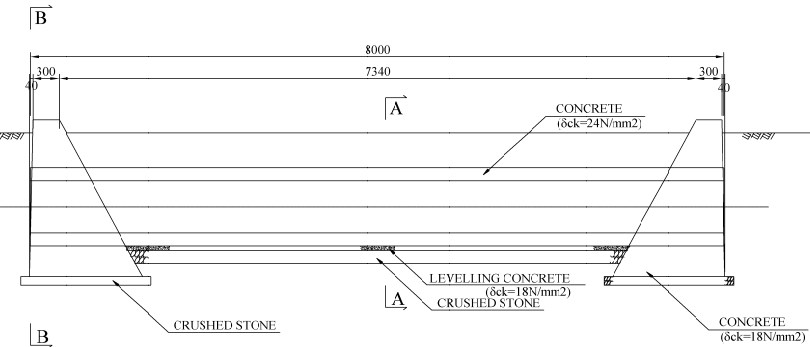


TYPE-4

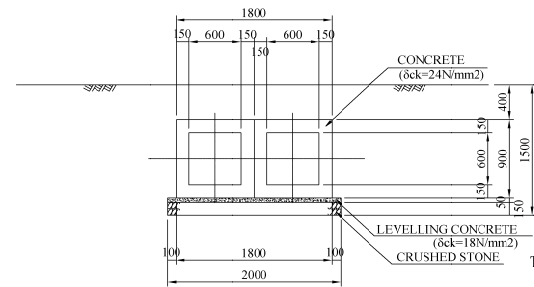
B - B



TYPE-5

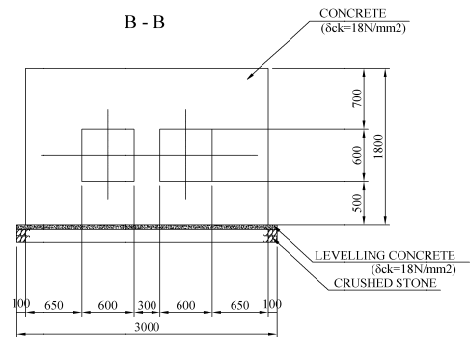


A - A



TYPE-5

B - B



08 - A

MINISTRY OF TRANSPORTATION THE REPUBLIC OF GHANA JAPAN INTERNATIONAL COOPERATION AGENCY	CONSULTANTS: CONSTRUCTION PROJECT CONSULTANTS, INC. (CPC)	PROJECT NAME: BASIC DESIGN STUDY ON THE PROJECT FOR THE REHABILITATION OF NATIONAL TRUNK ROAD N8	DRAWING TITLE: DRAINAGE STRUCTURE(12)	DATE: PREPARED BY: CHECKED BY:	DRAWING No. : BD-23
---	---	--	--	--------------------------------------	------------------------