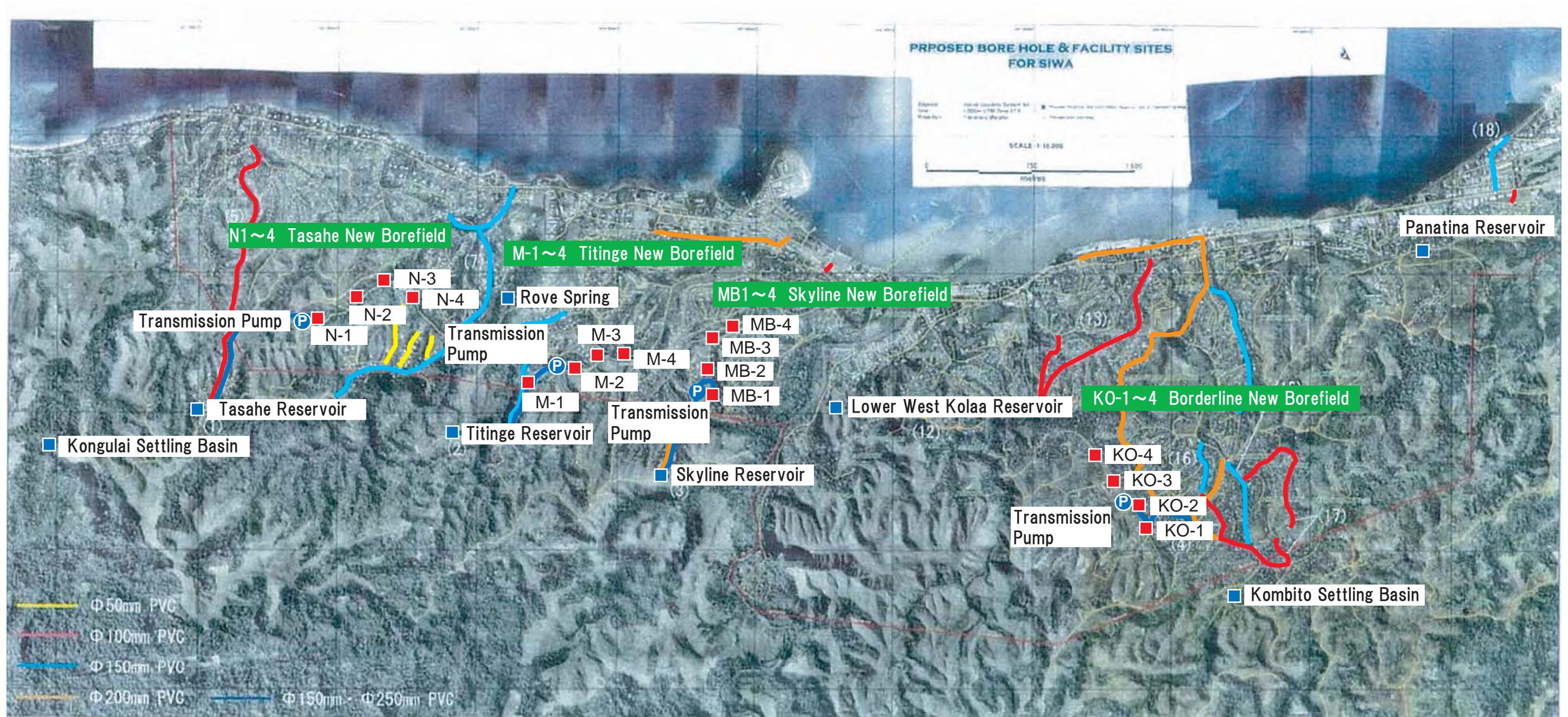


2-2-4 Basic Design Drawings

The basic design drawings for this Project are as follows:

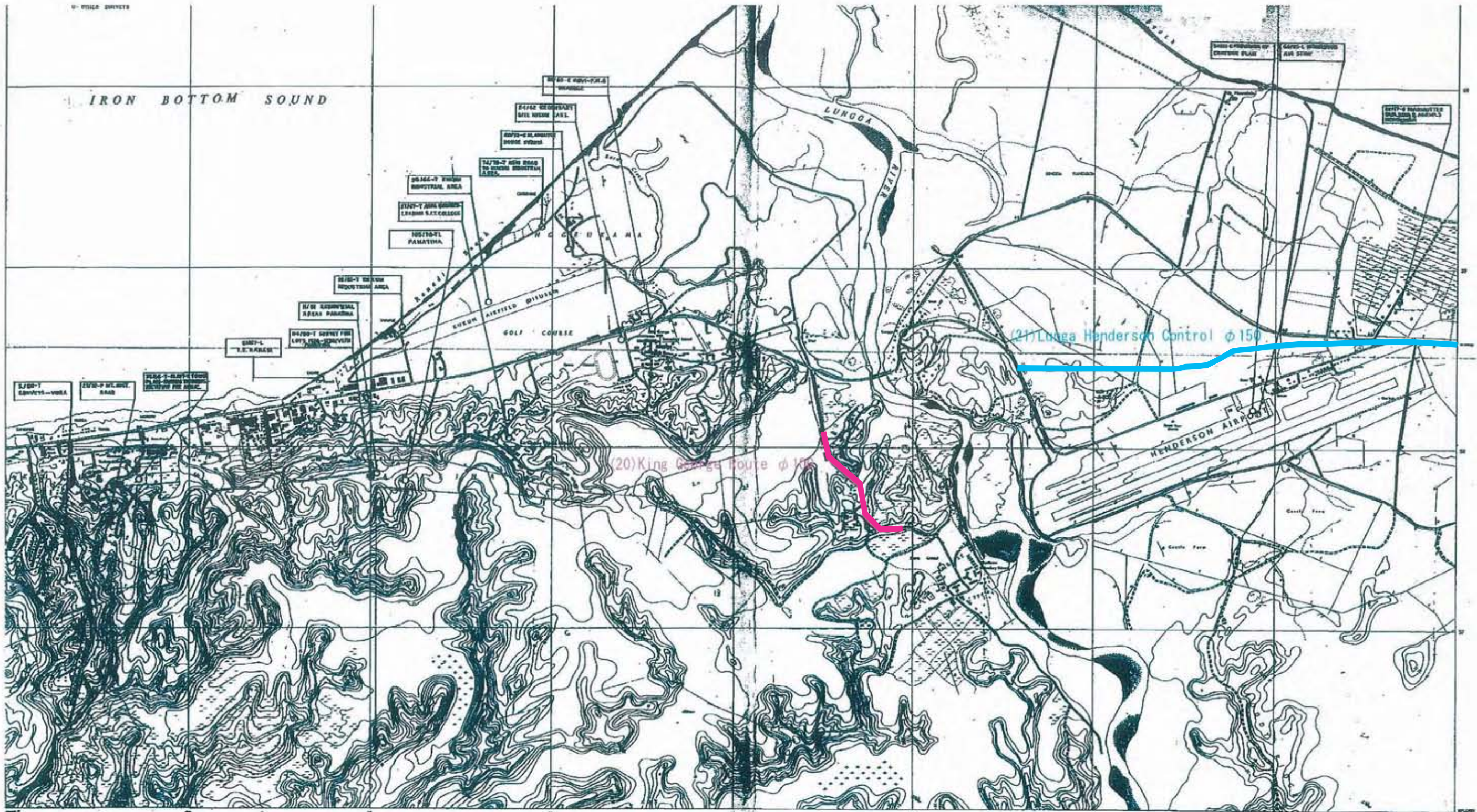
List of Basic Design Drawings

<u>Drawing No.</u>	<u>Title of Drawing</u>
SWS-01	Layout of Requested Facilities in Honiara City (1/2)
SWS-02	Layout of Requested Facilities in Honiara City (2/2)
SWS-03	Flow Sheet for Honiara City (Area 1)
SWS-04	Flow Sheet for Honiara City (Area 2)
SWS-05	Flow Sheet for Honiara City (Area 3)
SWS-06	Flow Sheet for Honiara City (Area 7)
SWS-07	Flow Sheet for Honiara City (Area 8)
SWS-08	Layout of Konglai Settling Basin for Turbidity Reduction
SWS-09	Plan and Cross-section of Konglai Settling Basin for Turbidity Reduction
SWS-10	Layout of Kombito Settling Basin for Turbidity Reduction
SWS-11	Plan and Cross-section of Kombito Settling Basin for Turbidity Reduction
SWS-12	Improvement of Water Intake Facility at Rove Spring
SWS-13	Borehole Structure Drawing
SWS-14	Plan and Cross-section of Transmission Pump Station (Typical Drawing)
SWS-15	Plan and Cross-section of Tasahe Distribution Reservoir
SWS-16	Plan and Cross-section of Titinge Distribution Reservoir
SWS-17	Plan and Cross-section of Skyline Distribution Reservoir
SWS-18	Plan and Cross-section of Lower West Kolaa Distribution Reservoir
SWS-19	Plan and Cross-section of Panatina Distribution Reservoir
SWS-20	Location Map of Requested Facilities in Auki City (1 sheet)
SWS-21	Flow Sheet for Auki City
SWS-22	Single-line Diagram (Area 1)
SWS-23	Single-line Diagram (Area 2)
SWS-24	Single-line Diagram (Area 3) (1/2)
SWS-25	Single-line Diagram (Area 3) (2/2)
SWS-26	Single-line Diagram (Area 7)
SWS-27	Single-line Diagram (Area 8)
SWS-28	Single-line Diagram (Auki)

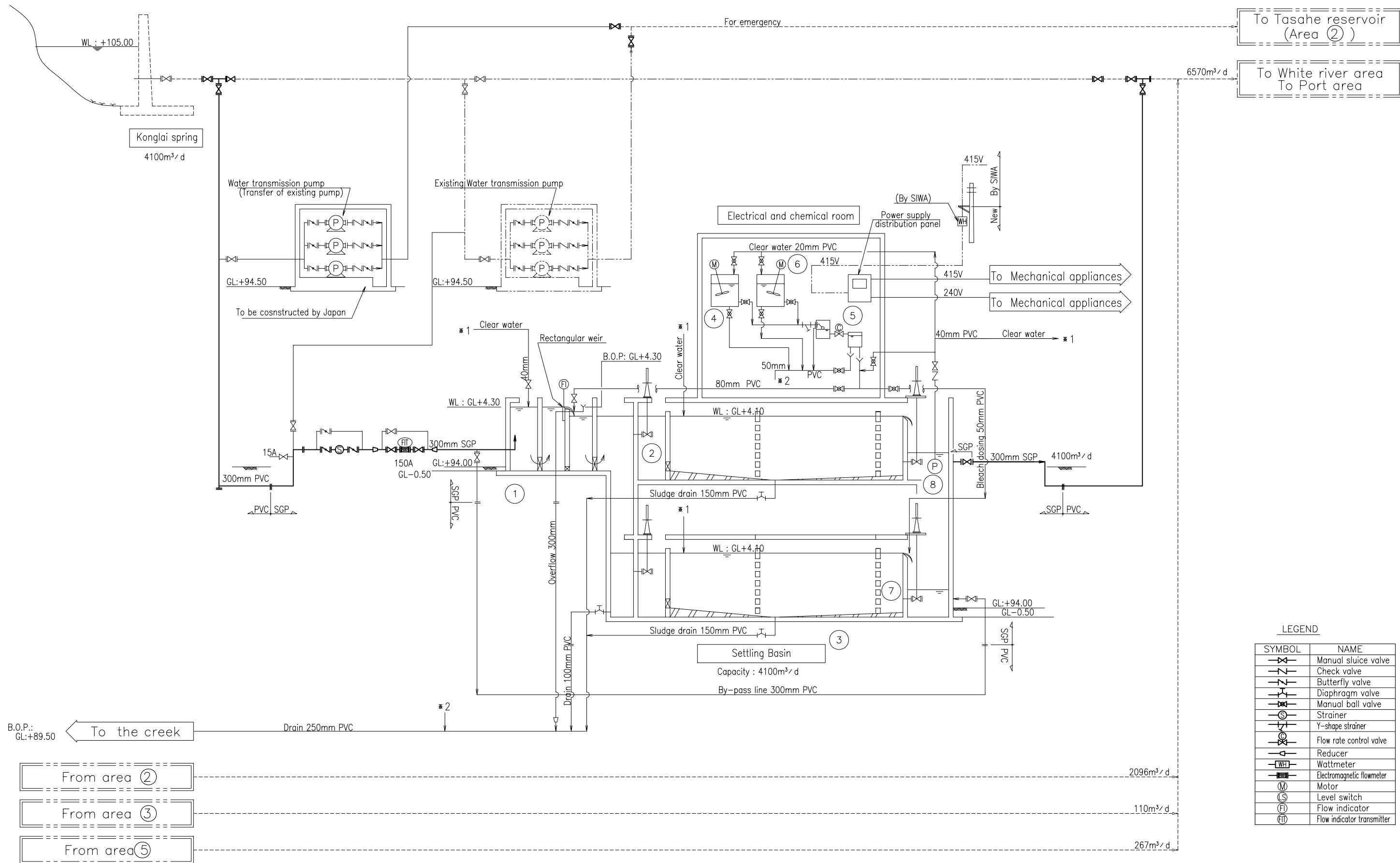


- Legend:**
- Turbidity Reduction Facility
 - P Reservoir
 - Transmission Pump Borehole
- Distribution Main**
- 50mm
 - 100mm
 - 150mm
 - 200mm
 - 150mm-200mm

SWS-01 Layout of Requested Facilities in Honiara City (1/2)



Distribution Main
 — 100mm
 — 150mm



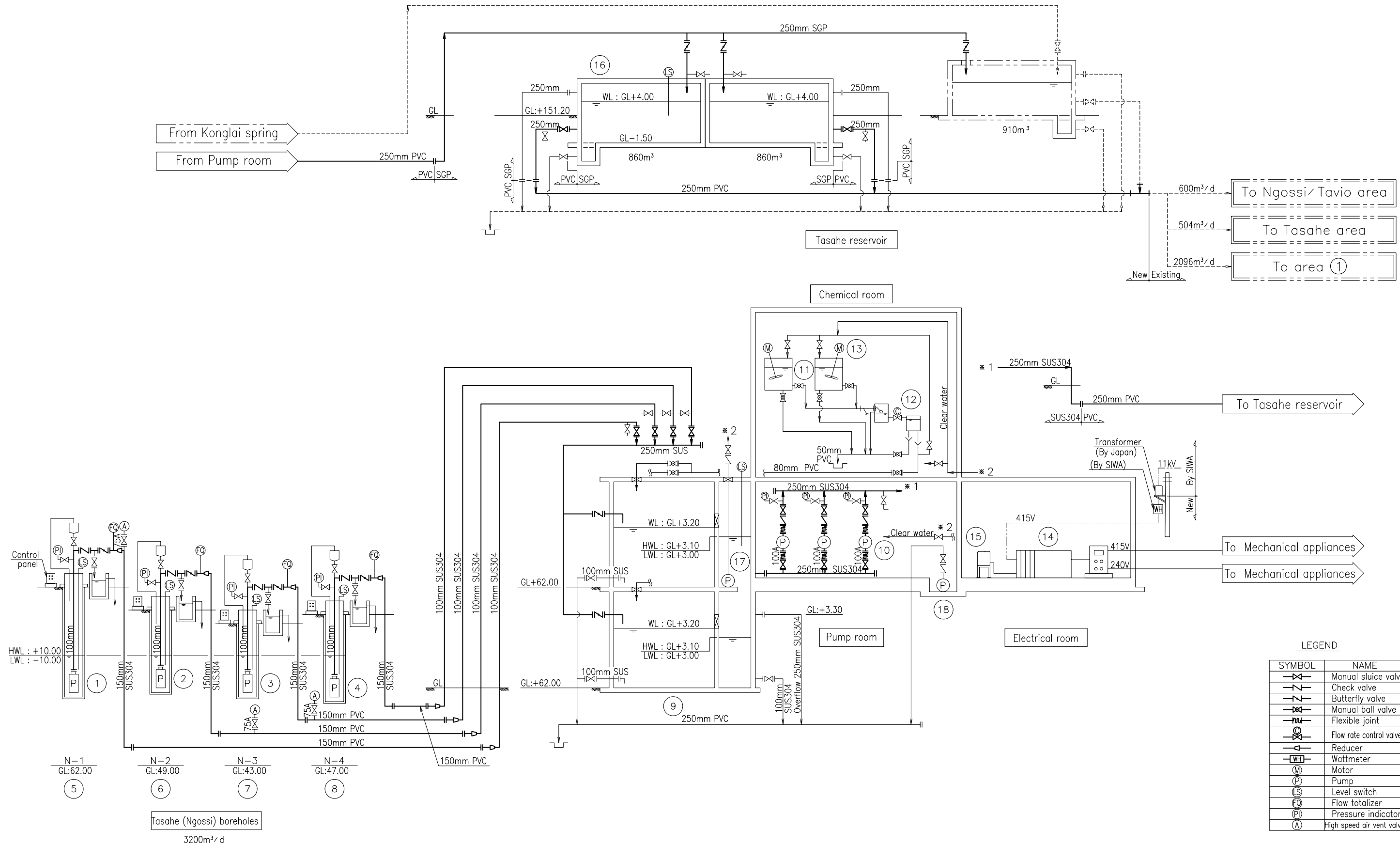
LEGEND

SYMBOL	NAME
	Manual sluice valve
	Check valve
	Butterfly valve
	Diaphragm valve
	Manual ball valve
	Strainer
	Y-shape strainer
	Flow rate control valve
	Reducer
	Wattmeter
	Electromagnetic flowmeter
	Motor
	Level switch
	Flow indicator
	Flow indicator transmitter

EQUIPMENT No.	(1)	(2)	(3)	(4)	(5)	(6)	(7)	(8)
NAME	Receiving well	Inlet valve	Settling Basin	Bleach solution tank	Bleach solution dosing device	Agitator for bleach solution	Outlet valve (For Emergency)	Sampling pump
TYPE / MATERIALS	Rectangular/RC	Manual sluice valve/FC+Resin	Plain sedimentation/RC	Circle/PE	/ PVC	Portable type/SUS304+PEL	Manual sluice valve/FC+Resin	Submersible type/SUS

SUS: SUS means stainless steel.

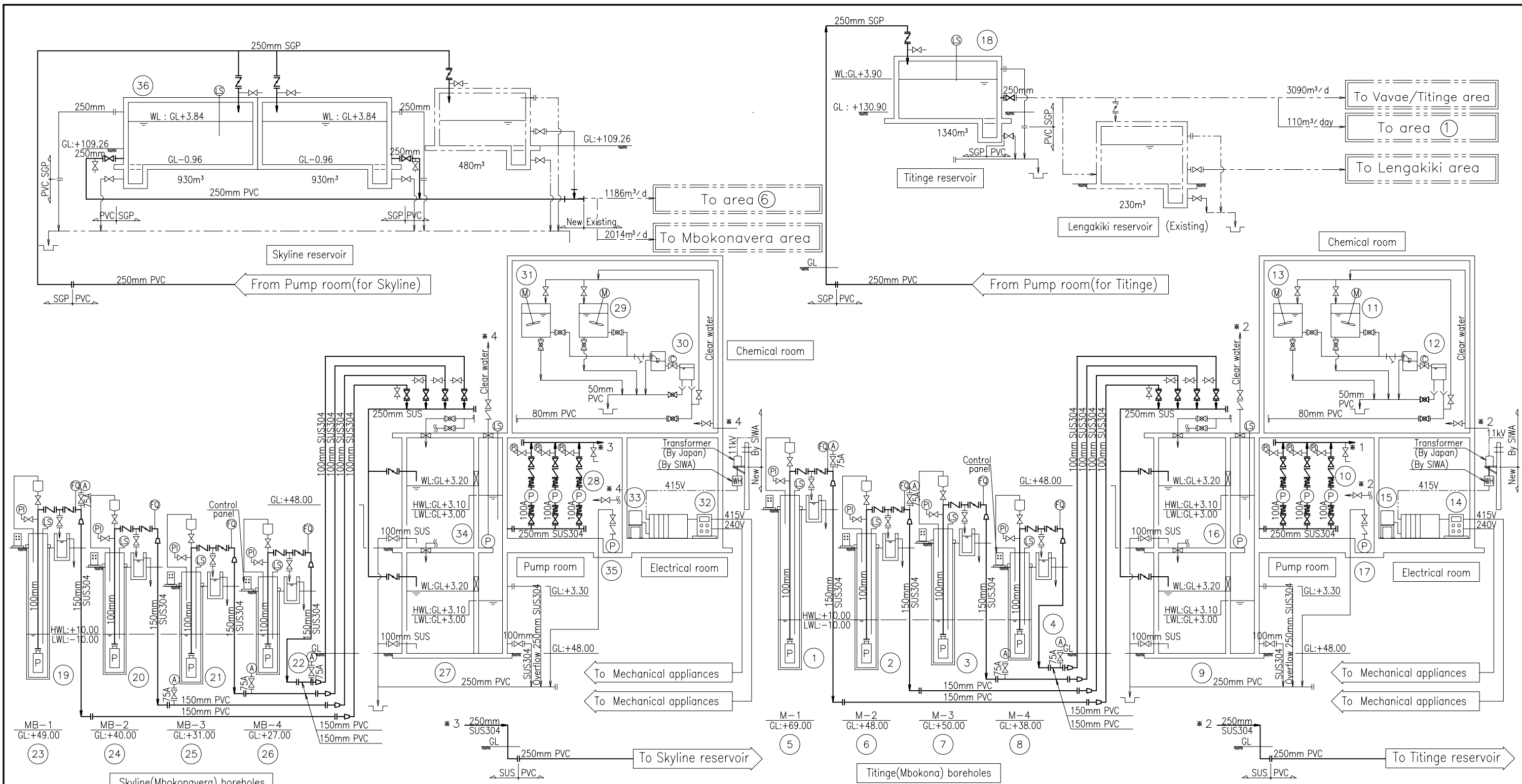
SWS-03 Flow Sheet for Honiara city (Area 1)



EQUIPMENT No.	(1)	(2)	(3)	(4)	(5)	(6)	(7)	(8)	(9)	(10)
NAME	N-1 bore pump	N-2 bore pump	N-3 bore pump	N-4 bore pump	N-1 bore /SUS304	N-2 bore /SUS304	N-3 bore /SUS304	N-4 bore /SUS304	Collector tank Rectangular/RC	Transmission pump Vertical multi stage volute pump
TYPE / MATERIALS	Submergible type/SUS	Submergible type/SUS	Submergible type/SUS	Submergible type/SUS	N-1 bore /SUS304	N-2 bore /SUS304	N-3 bore /SUS304	N-4 bore /SUS304		
EQUIPMENT No.	(1)	(2)	(3)	(4)	(5)	(6)	(7)	(8)	(9)	
NAME	Bleach solution tank	Bleach solution dosing device	Agitator for bleach solution	Generator (for emergency)	Fuel tank	Tasche reservoir	Sampling pump	Drain pump		
TYPE / MATERIALS	Circle/PE	/ PVC	Portable type/SUS304+PEL	Diesel Engine	SS400	Rectangular/RC	Submergible type/SUS	Submergible type/SUS		

SUS: SUS means stainless steel.

SWS-04 Flow Sheet for Honiara City (Area2)



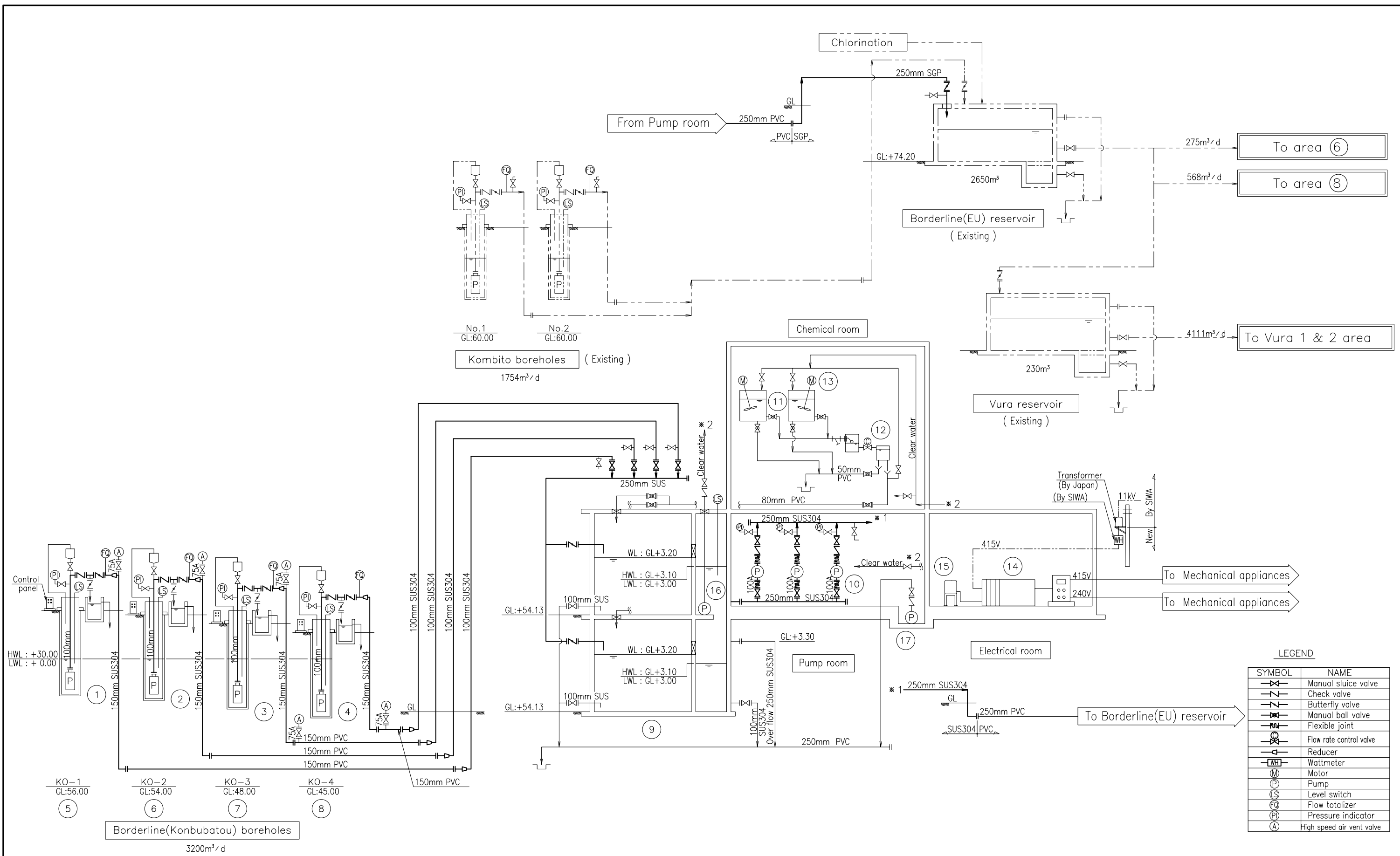
LEGEND

SYMBOL	NAME	SYMBOL	NAME
	Manual sluice valve		Wattmeter
	Check valve		Motor
	Butterfly valve		Pump
	Manual ball valve		Level switch
	Flexible joint		Flow totalizer
	Reducer		Pressure indicator
	Flow rate control valve		High speed air vent valve

EQUIPMENT No.	(1)	(2)	(3)	(4)	(5)	(6)	(7)	(8)	(9)	(10)
NAME	M-1 bore pump	M-2 bore pump	M-3 bore pump	M-4 bore pump	M-1 bore /SUS304	M-2 bore /SUS304	M-3 bore /SUS304	M-4 bore /SUS304	Collector tank(for Titinge) Rectangular/RC	Transmission pump Vertical multi stage volute pump
TYPE / MATERIALS	Submergible type/SUS	Submergible type/SUS	Submergible type/SUS	Submergible type/SUS						
EQUIPMENT No.	(11)	(12)	(13)	(14)	(15)	(16)	(17)	(18)	(19)	(20)
NAME	Bleach solution tank Circle/PE	Bleach solution dosing device /PVC	Agitator for bleach solution Portable type/SUS304+PEL	Generator(for emergency) Diesel Engine	Fuel tank(For Titinge) SS400	Sampling pump Submergible type/SUS	Drain pump Submergible type/SUS	Titinge reservoir Rectangular/RC	MB-1 bore pump Submergible type/SUS	MB-2 bore pump Submergible type/SUS
TYPE / MATERIALS										
EQUIPMENT No.	(21)	(22)	(23)	(24)	(25)	(26)	(27)	(28)	(29)	(30)
NAME	MB-3 bore pump	MB-4 bore pump	MB-1 bore /SUS304	MB-2 bore /SUS304	MB-3 bore /SUS304	MB-4 bore /SUS304	Collector tank(for Skyline) Rectangular/RC	Transmission pump Vertical multi stage volute pump	Bleach solution tank Circle/PE	Bleach solution dosing device /PVC
TYPE / MATERIALS	Submergible type/SUS	Submergible type/SUS								
EQUIPMENT No.	(31)	(32)	(33)	(34)	(35)	(36)				
NAME	Agitator for bleach solution Portable type/SUS304+PEL	Generator(for emergency) Diesel Engine	Fuel tank(For Skyline) SS400	Sampling pump Submergible type/SUS	Drain pump Submergible type/SUS	Skyline reservoir Rectangular/RC				
TYPE / MATERIALS										

SUS: SUS means stainless steel.

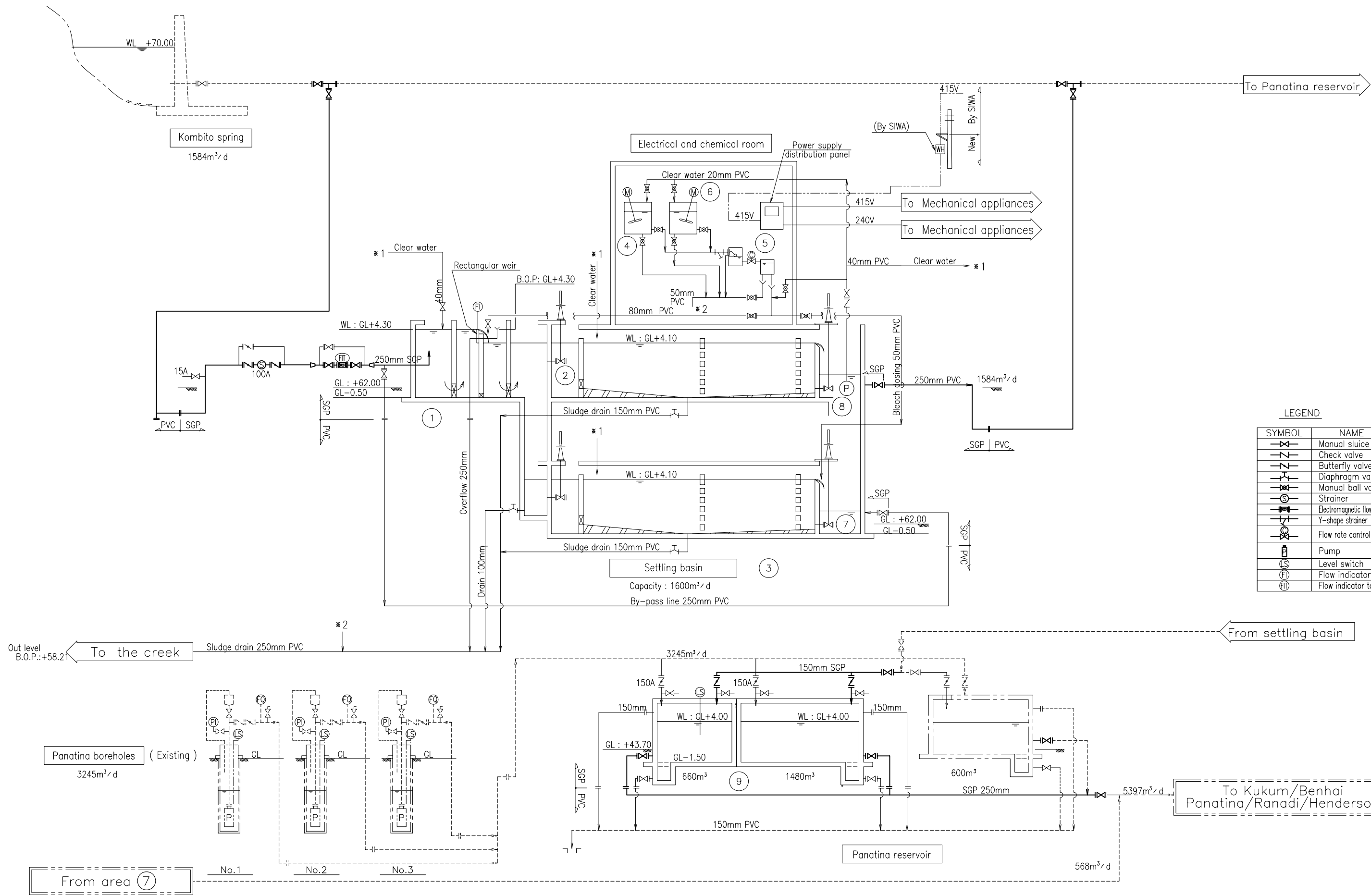
SWS-05 Flow Sheet for Honiara City (Area3)



EQUIPMENT No.	(1)	(2)	(3)	(4)	(5)	(6)	(7)	(8)	(9)	(10)
NAME	KO-1 bore pump	KO-2 bore pump	KO-3 bore pump	KO-4 bore pump	KO-1 bore /SUS304	KO-2 bore /SUS304	KO-3 bore /SUS304	KO-4 bore /SUS304	Collector tank Rectangular/RC	Transmission pump Vertical multi stage volute pump
TYPE / MATERIALS	Submersible type/SUS304	Submersible type/SUS304	Submersible type/SUS304	Submersible type/SUS304						
EQUIPMENT No.	(1)	(2)	(3)	(4)	(5)	(6)	(7)			
NAME	Bleach solution tank	Bleach solution dosing device	Agitator for bleach solution	Generator(for emergency)	Fuel tank	Sampling pump	Drain pump			
TYPE / MATERIALS	Circle/PE	/PVC	Portable type/SUS304+PEL	Diesel Engine	SS400	Submersible type/SUS	Submersible type/SUS			

SUS: SUS means stainless steel.

SWS-06 Flow Sheet for Honiara City (Area7)



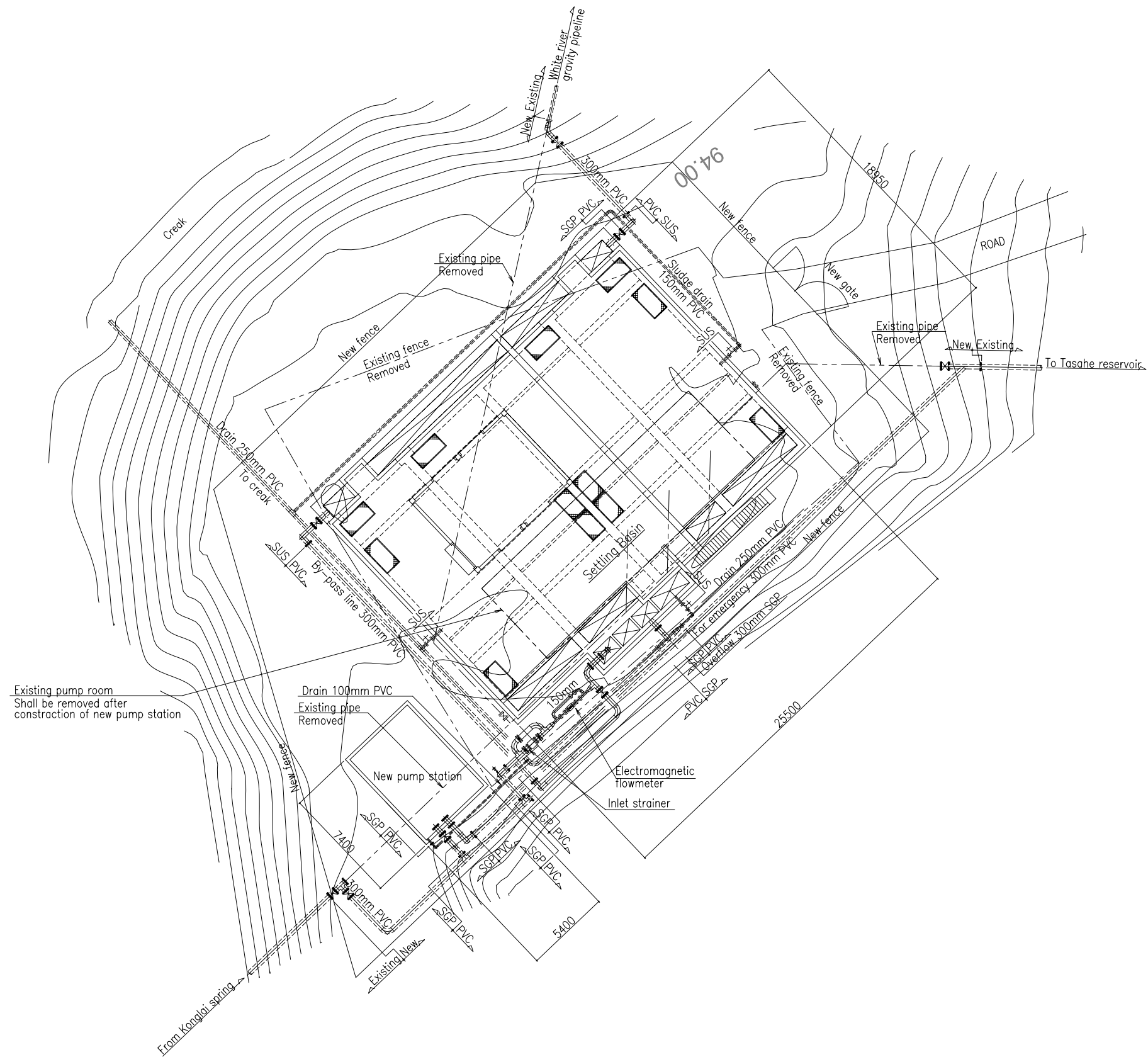
LEGEND

SYMBOL	NAME
	Manual sluice valve
	Check valve
	Butterfly valve
	Diaphragm valve
	Manual ball valve
	Strainer
	Electromagnetic flowmeter
	Y-shape strainer
	Flow rate control valve
	Pump
	Level switch
	Flow indicator
	Flow indicator totalizer

EQUIPMENT No.	(1)	(2)	(3)	(4)	(5)	(6)	(7)	(8)	(9)
NAME	Receiving well	Inlet valve	Settling basin	Bleach solution tank	Bleach solution dosing device	Agitator for bleach solution	Outlet valve (For Emergency)	Sampling pump	Panatina reservoir
TYPE / MATERIALS	Rectangular/RC	Manual sluice valve/FC+Resin	Plain sedimentation/RC	Circle/PE	/ PVC	Portable type/SUS304+PEL	Manual sluice valve/FC+Resin	Submersible type/SUS	Rectangular/RC

SWS-07 Flow Sheet for Honiara City (Area 8)

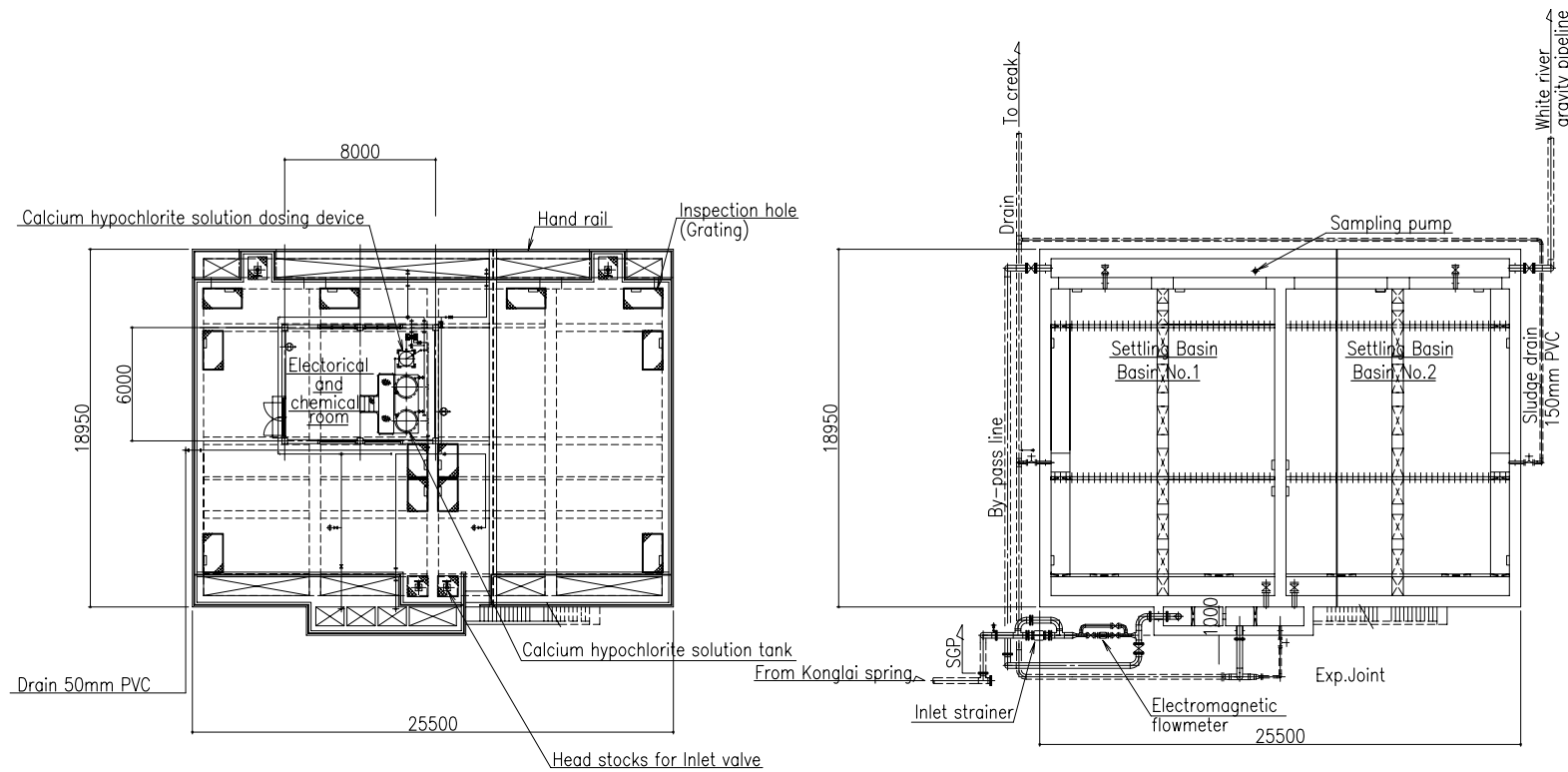
SUS: SUS means stainless steel.



Existing pump room
Shall be removed after
construction of new pump station

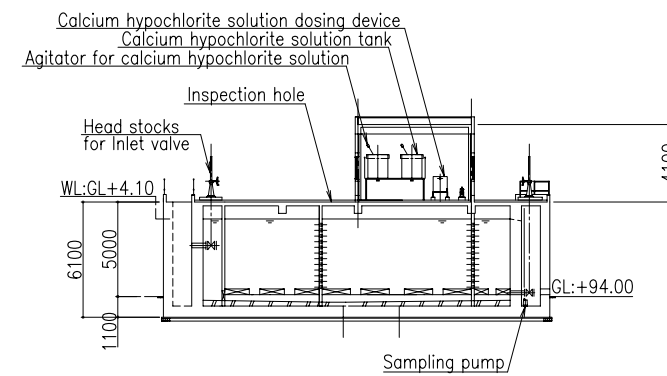
S=1:300

SWS-08 Layout of Konglai Settling Basin
for Turbidity Reduction

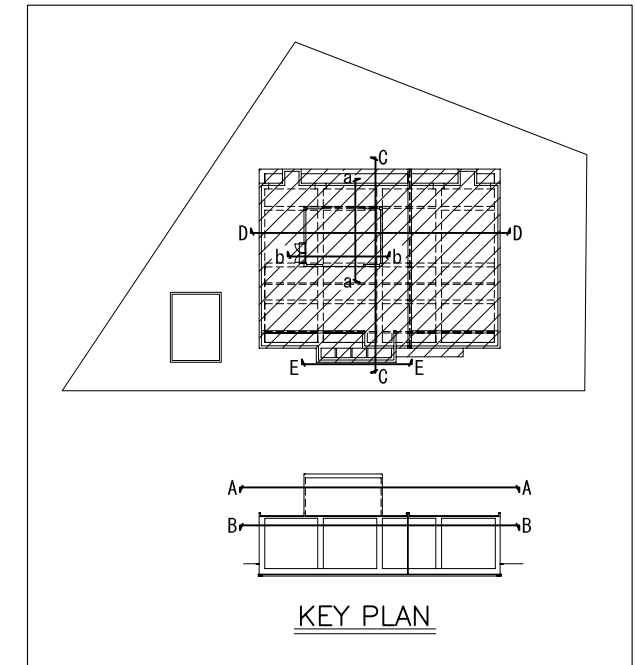


A-A SECTION
(1 : 400)

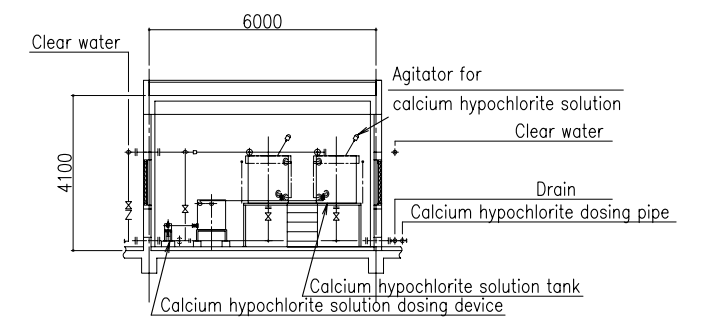
B-B SECTION
(1 : 400)



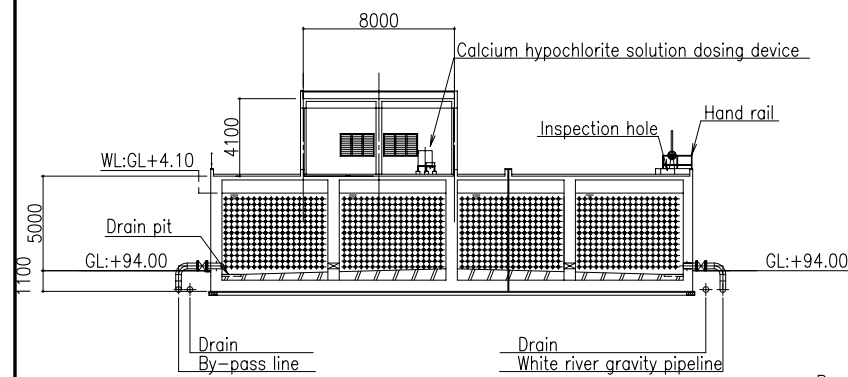
C-C SECTION
(1 : 400)



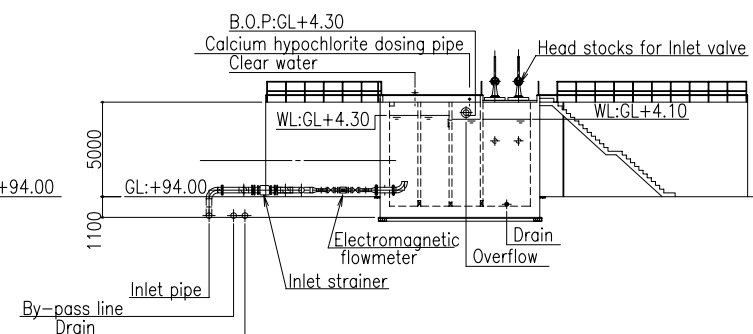
KEY PLAN



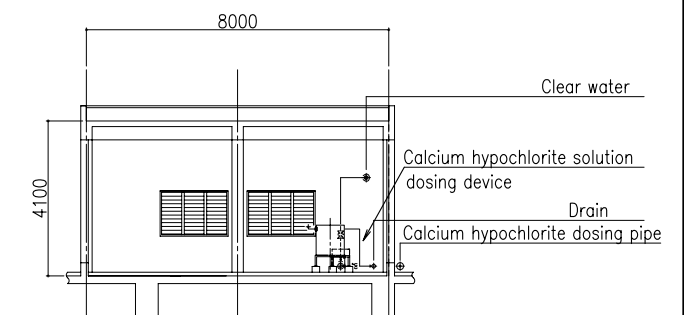
a-a SECTION
(1 : 200)



D-D SECTION
(1 : 400)



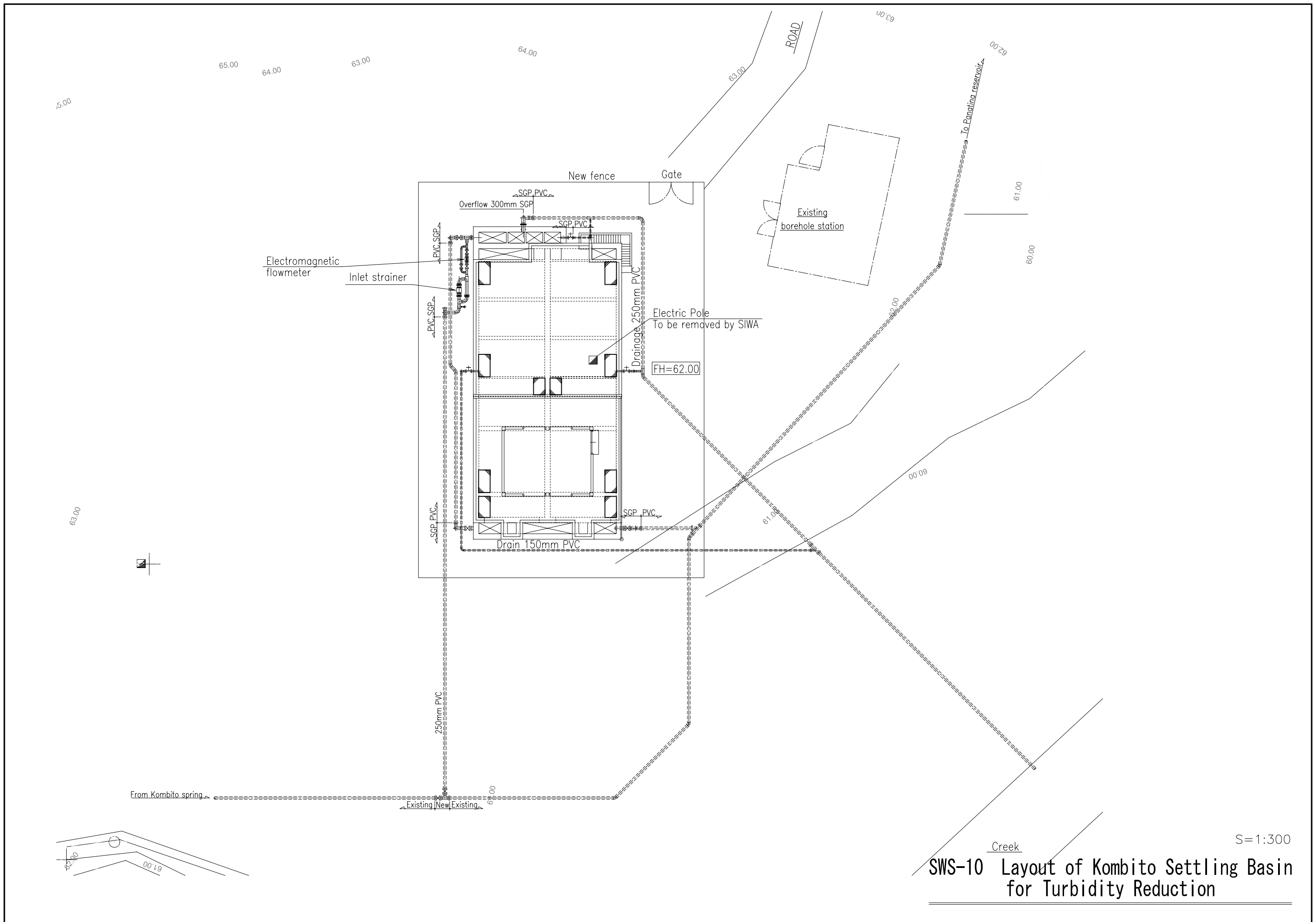
E-E SECTION
(1 : 400)



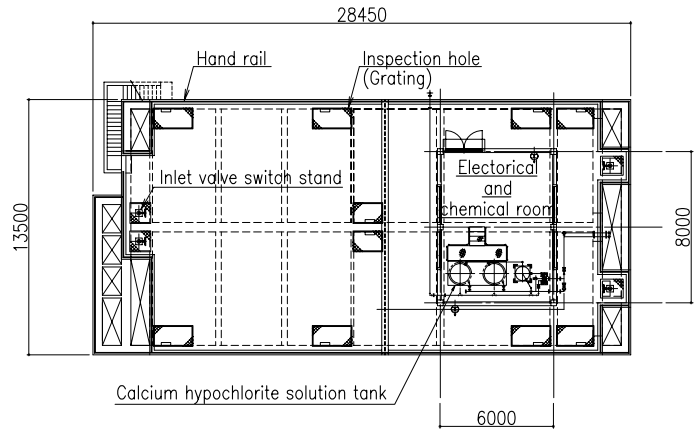
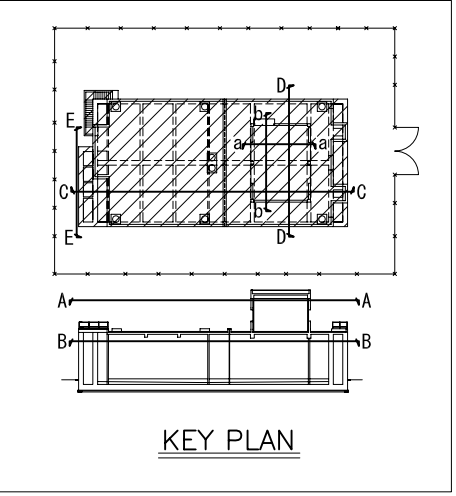
b-b SECTION
(1 : 200)

Electrical and chemical room

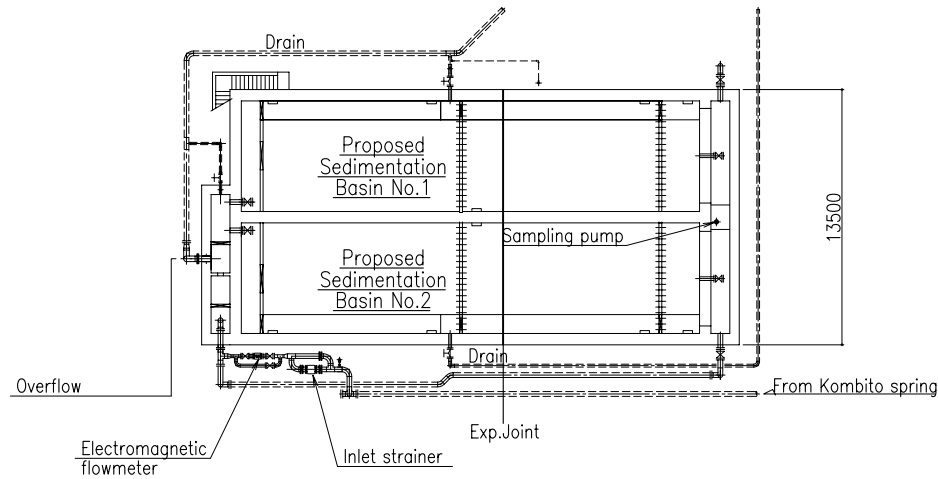
SWS-09 Plan and Cross-section of Konglai Settling Basin for Turbidity Reduction



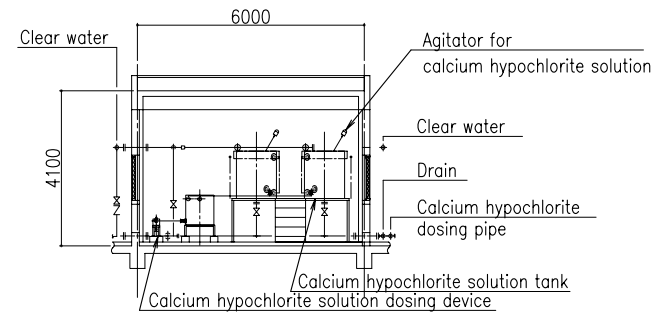
S=1:300
 SWS-10 Layout of Kombito Settling Basin for Turbidity Reduction



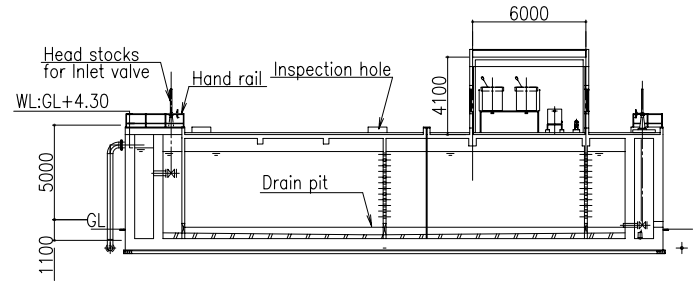
A-A SECTION
(1:400)



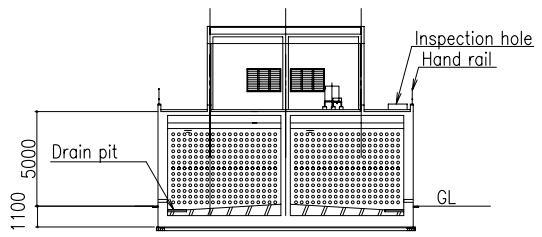
B-B SECTION
(1:400)



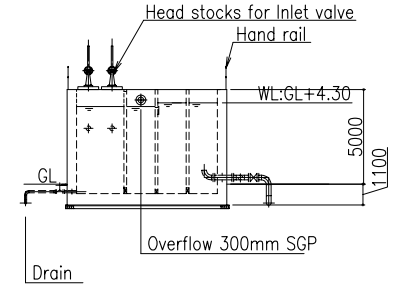
a-a SECTION
(1:200)



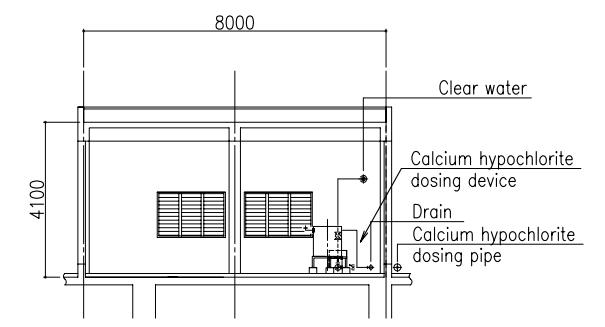
C-C SECTION
(1:400)



D-D SECTION
(1:400)

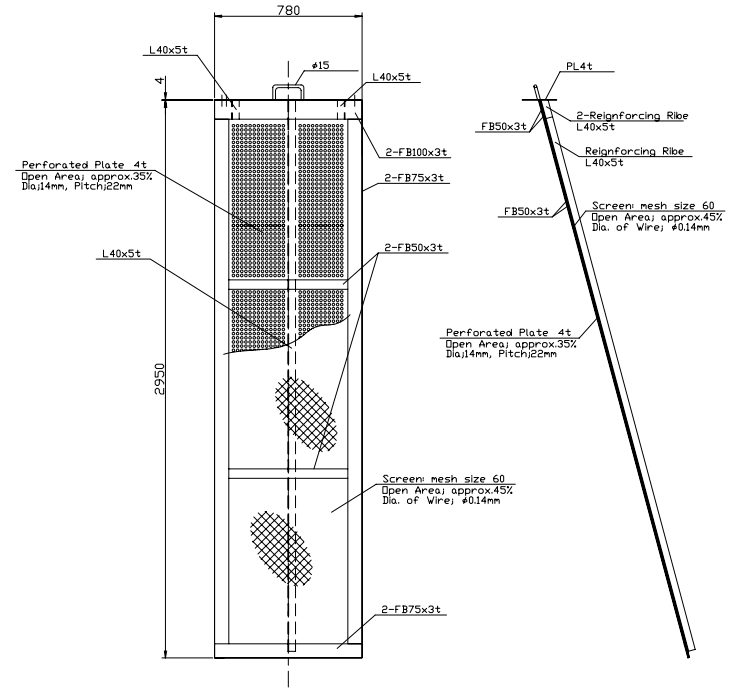
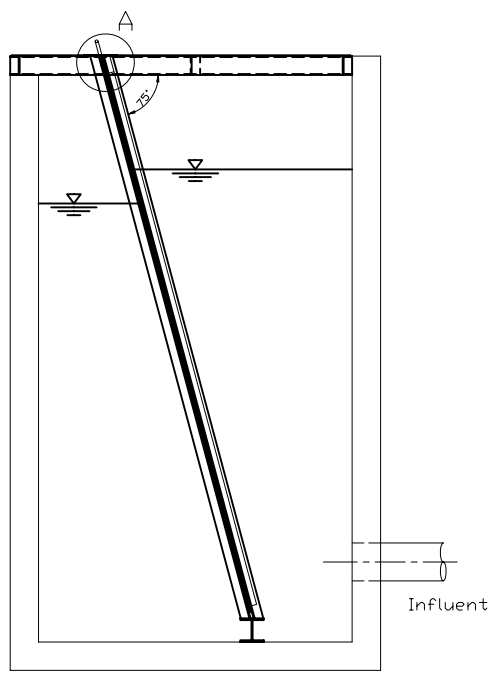
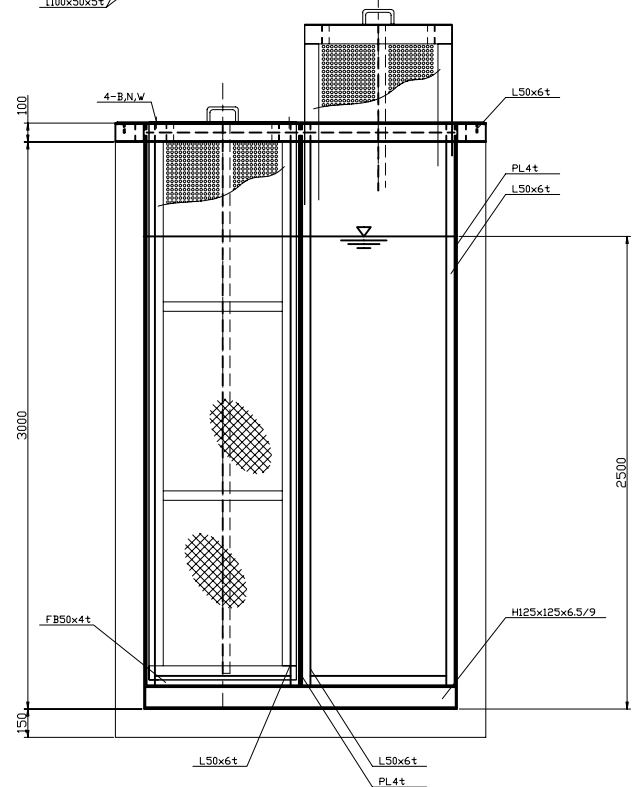
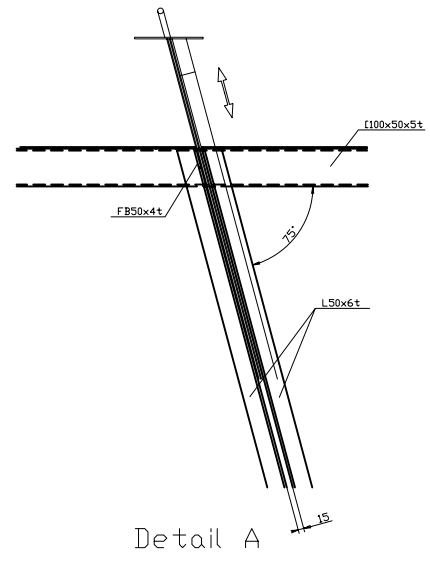
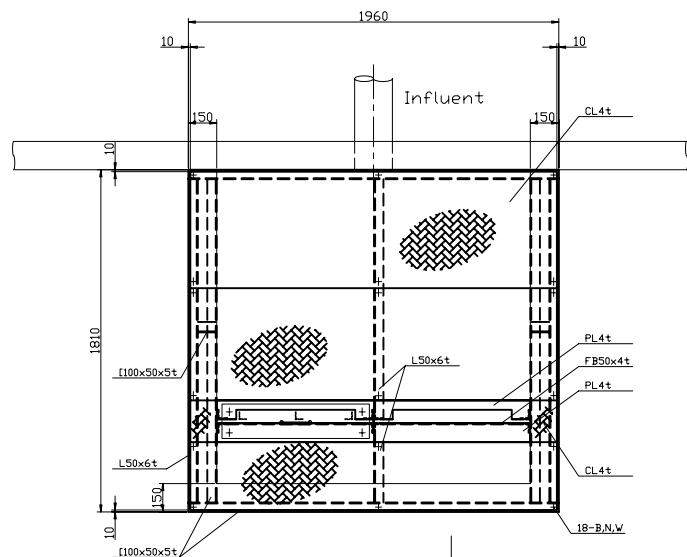


E-E SECTION
(1:400)



b-b SECTION
(1:200)

SWS-11 Plan and Cross-section of Kombito Settling Basin for Turbidity Reduction



Frame
Material; SUS304

Screen
0'ty; 4pcs
Material; SUS304

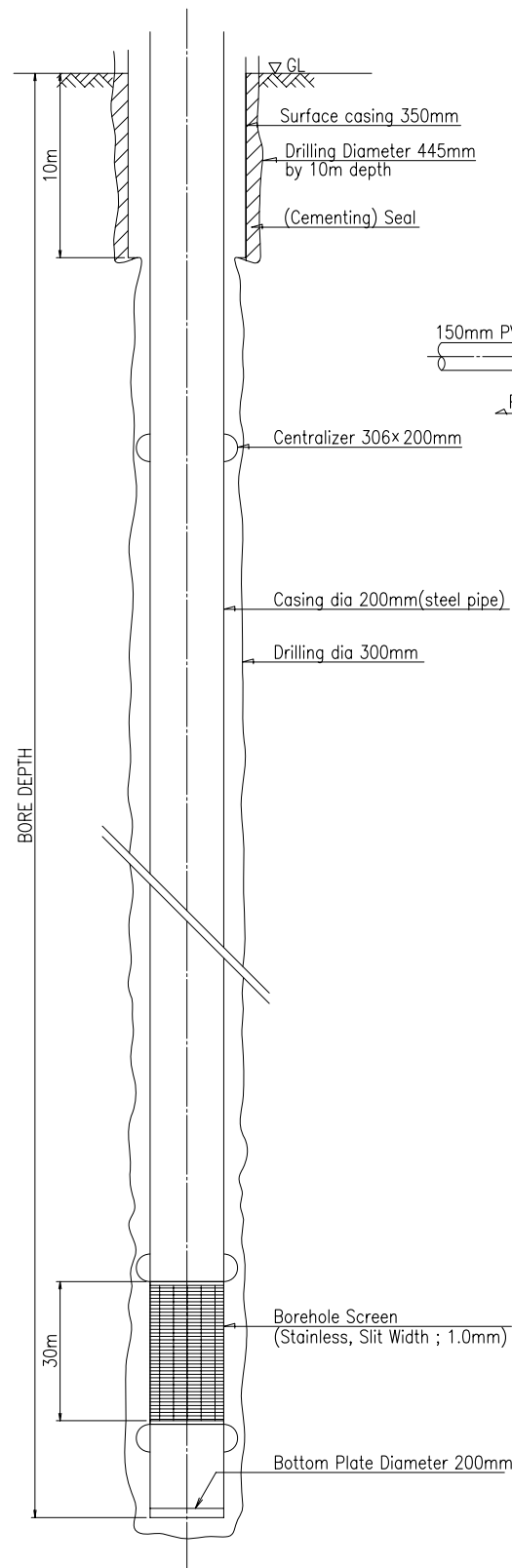
SWS-12 Improvement of Water Intake Facility at Rove Spring

SPECIFICATION OF BORE AND PUMP FOR HONIARA

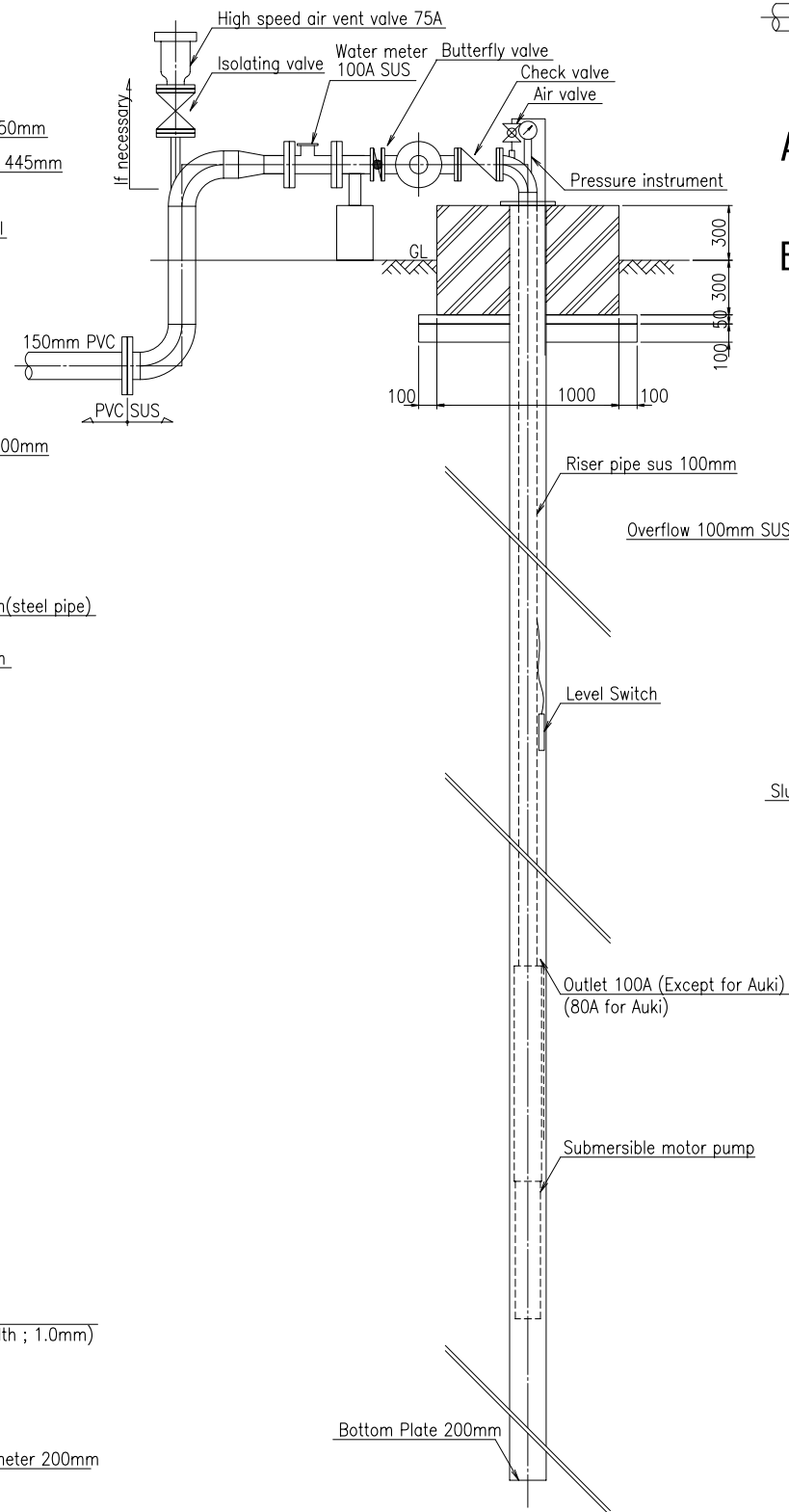
SITE NAME	BORE No.	GL (EL. m)	BORE DEPTH (GL.- m)	PUMP INSTALATION LEVEL (GL.- m)	WATER LOW LEVEL (EL. m)	PUMP CAPACITY	Requirement of high speed air vent valves	UNITS
TASAHE	N-1	62	130	80	-10	0.56m ³ /min×85mAq	○	1
	N-2	49	120	65	-10	0.56m ³ /min×85mAq	—	1
	N-3	43	120	60	-10	0.56m ³ /min×85mAq	—	1
	N-4	47	130	65	-10	0.56m ³ /min×85mAq	—	1
TITINGE	M-1	69	140	85	-10	0.56m ³ /min×85mAq	○	1
	M-2	48	130	65	-10	0.56m ³ /min×70mAq	○	1
	M-3	50	120	65	-10	0.56m ³ /min×70mAq	—	1
	M-4	38	110	55	-10	0.56m ³ /min×70mAq	—	1
SKYLINE	MB-1	49	130	65	-10	0.56m ³ /min×70mAq	○	1
	MB-2	40	120	55	-10	0.56m ³ /min×70mAq	—	1
	MB-3	31	120	50	-10	0.56m ³ /min×70mAq	—	1
	MB-4	27	110	45	-10	0.56m ³ /min×70mAq	—	1
BOARDERLINE	KO-1	56	100	65	0	0.56m ³ /min×65mAq	○	1
	KO-2	54	100	60	0	0.56m ³ /min×65mAq	○	1
	KO-3	48	100	55	0	0.56m ³ /min×65mAq	○	1
	KO-4	45	100	50	0	0.56m ³ /min×65mAq	—	1

SPECIFICATION OF BORE AND PUMP FOR AUKI

SITE NAME	BORE No.	GL (EL. m)	BORE DEPTH (GL.- m)	PUMP INSTALATION LEVEL (GL.- m)	WATER LOW LEVEL (EL. m)	PUMP CAPACITY	Requirement of high speed air vent valves	UNITS
AUKI	AK-1	29	100	45	-10	0.28m ³ /min×105mAq	—	1
	AK-2	37	100	50	-5	0.28m ³ /min×105mAq	—	1

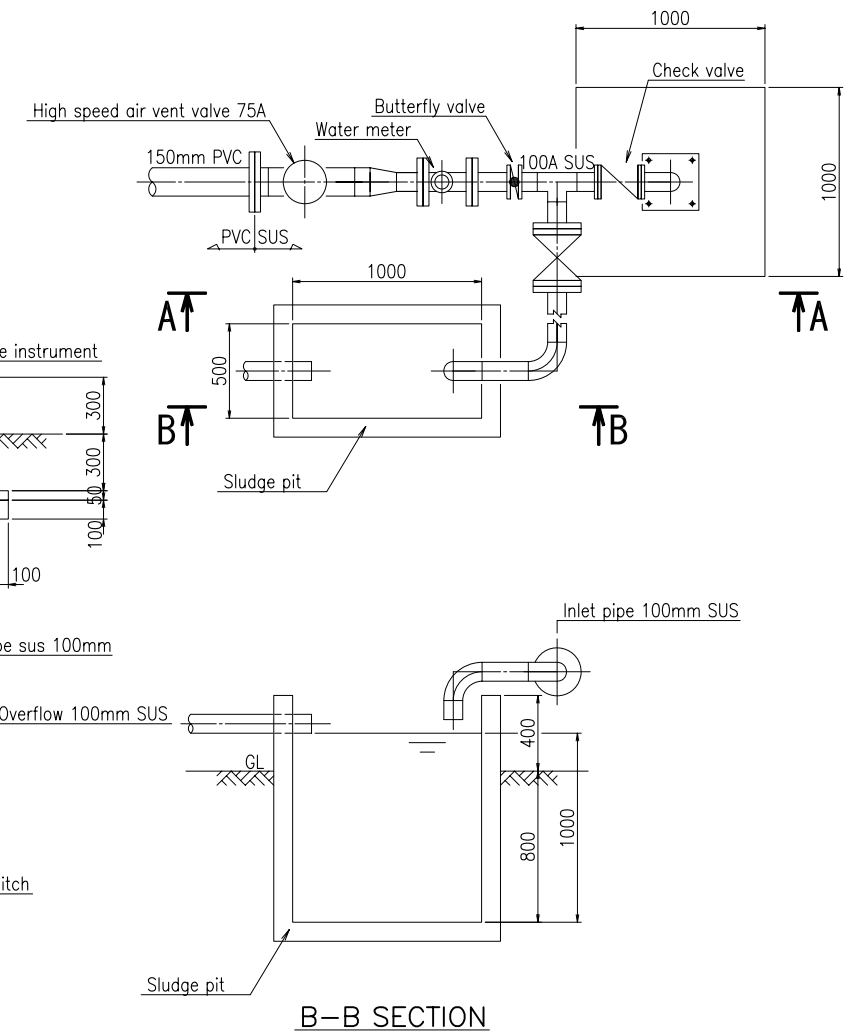


BOREHOLE STRUCTURE

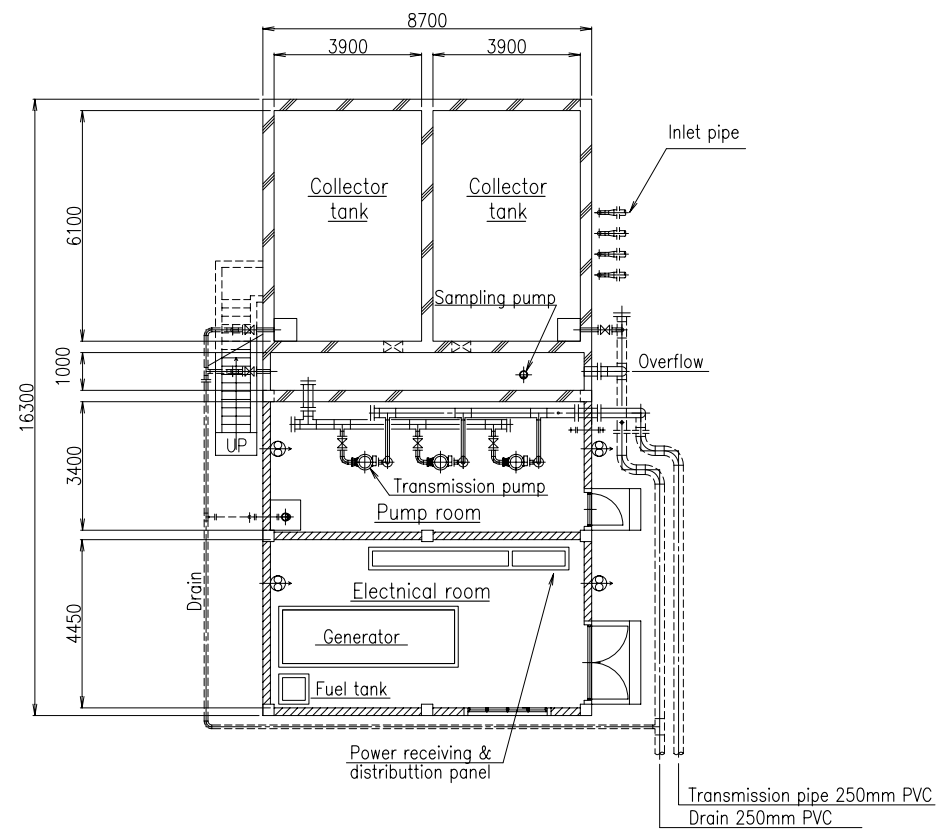


A-A SECTION

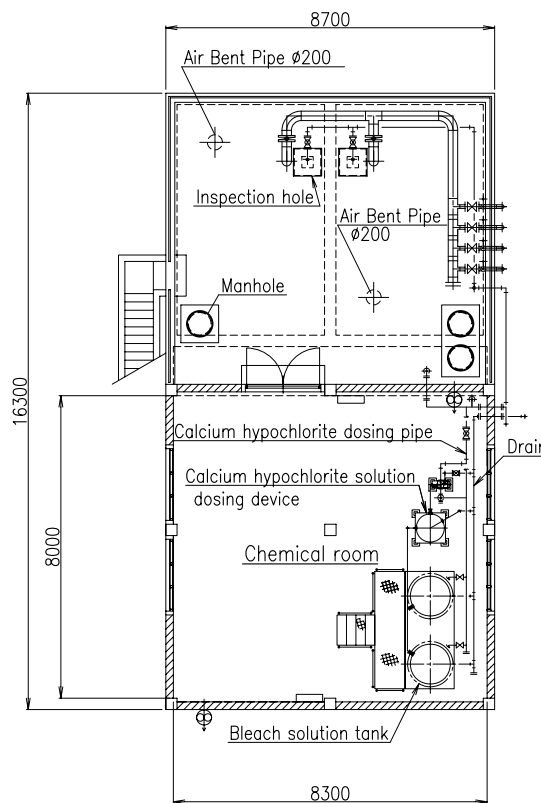
INSTALLATION OF SUBMERSIBLE MOTER PUMP



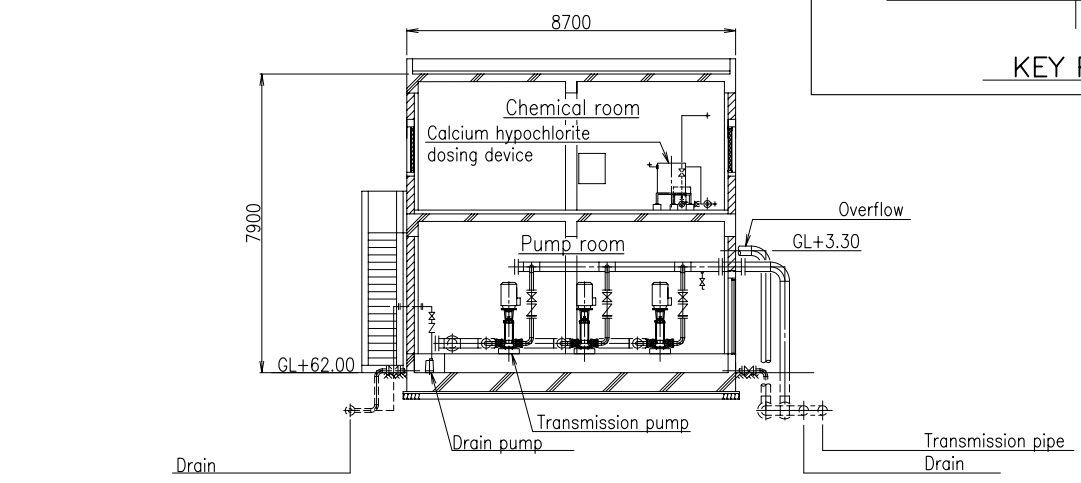
B-B SECTION



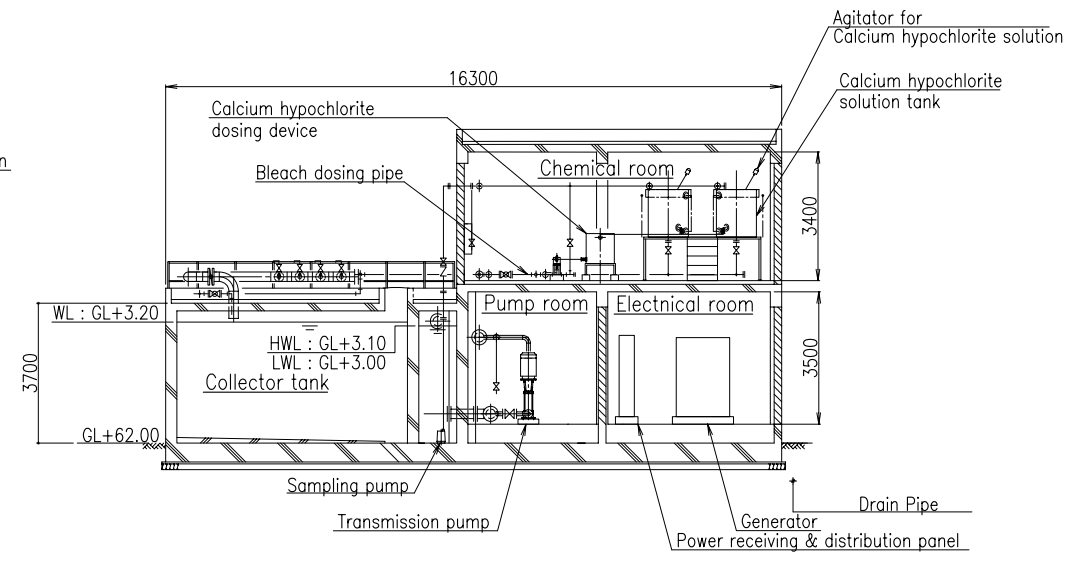
1F LAYOUT



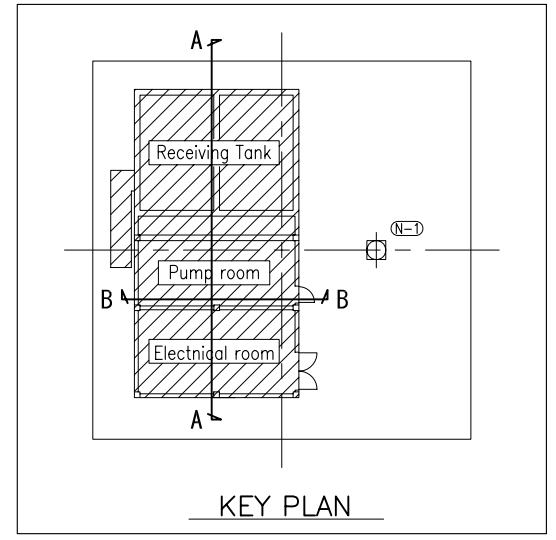
2F LAYOUT



B-B SECTION



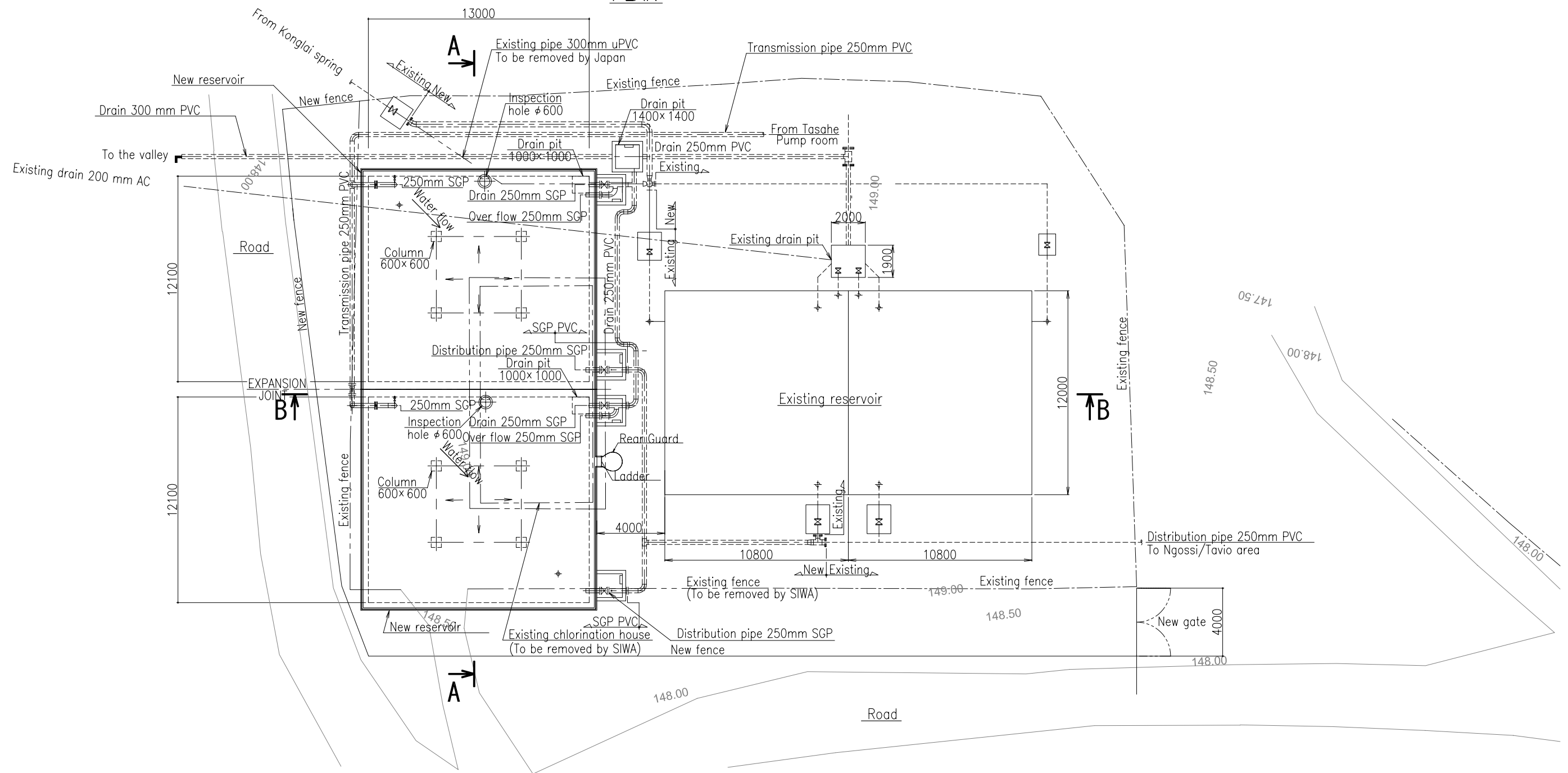
A-A SECTION



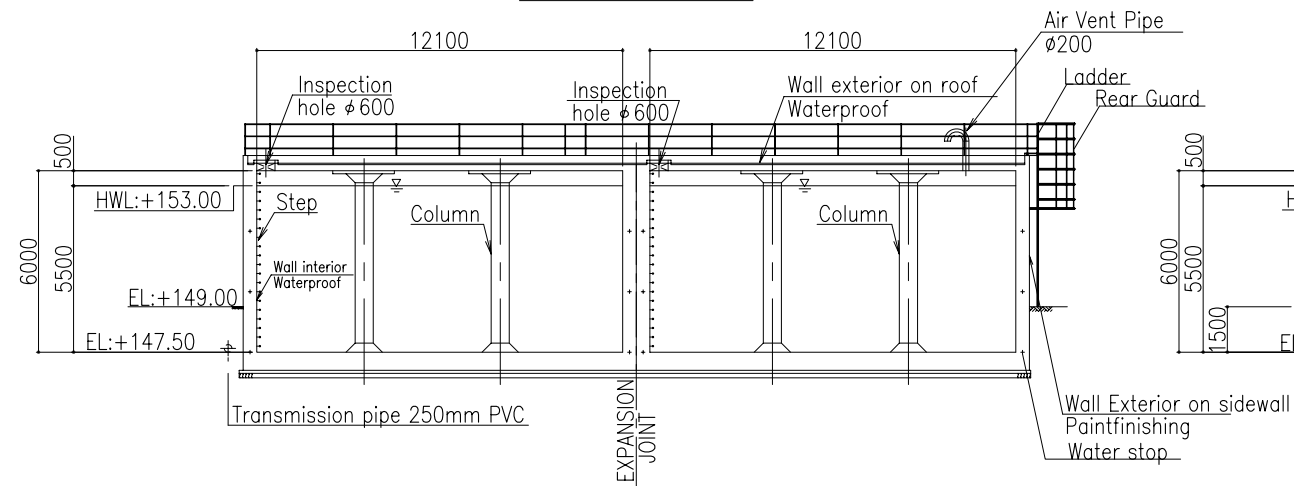
KEY PLAN

SWS-14 Plan and Cross-section of Transmission Pump Station (Typical Drawing) S=1:200

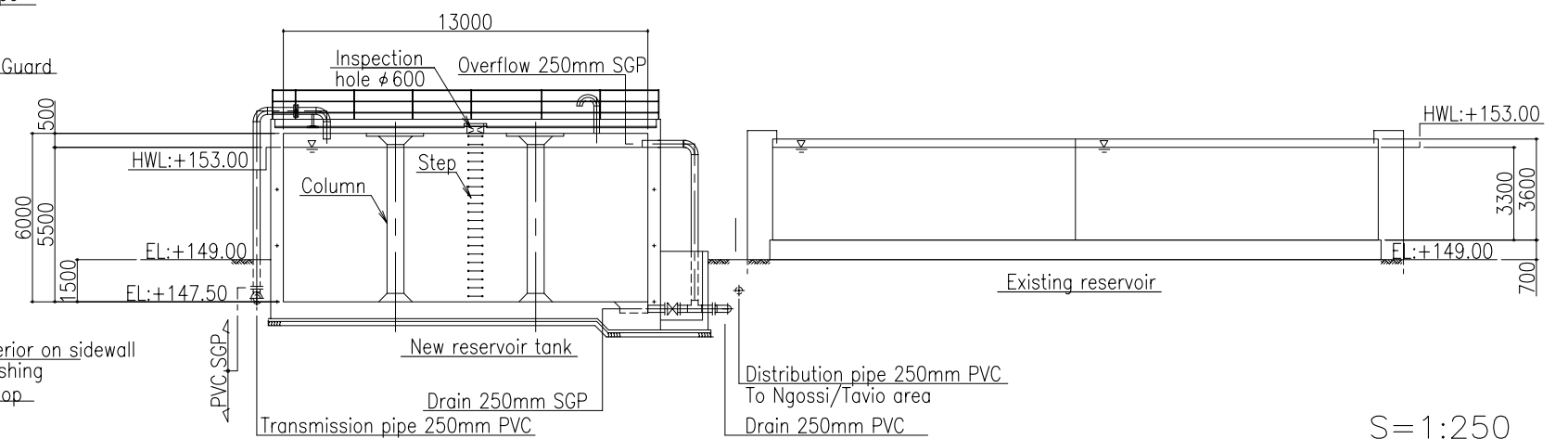
PLAN



A-A SECTION



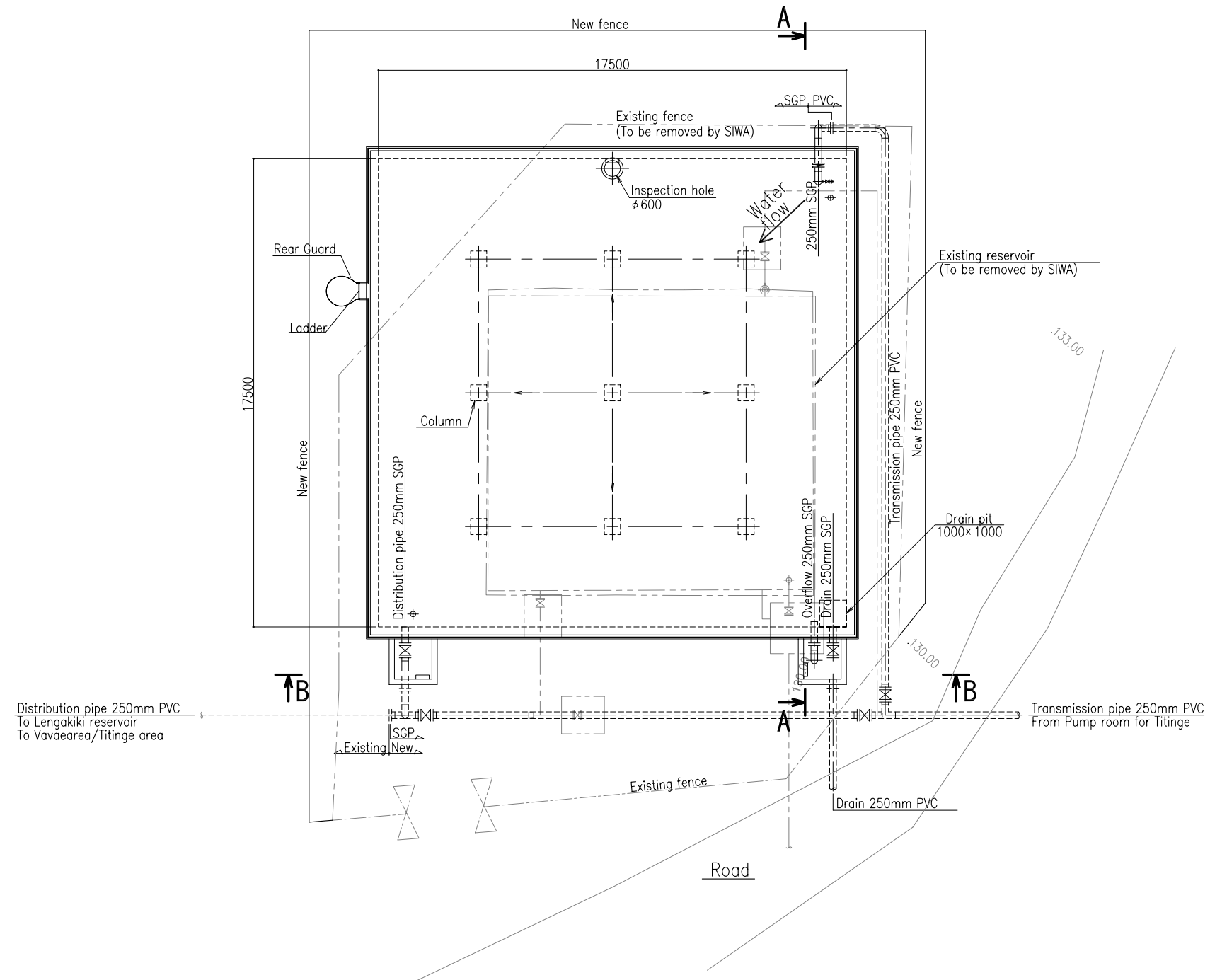
B-B SECTION



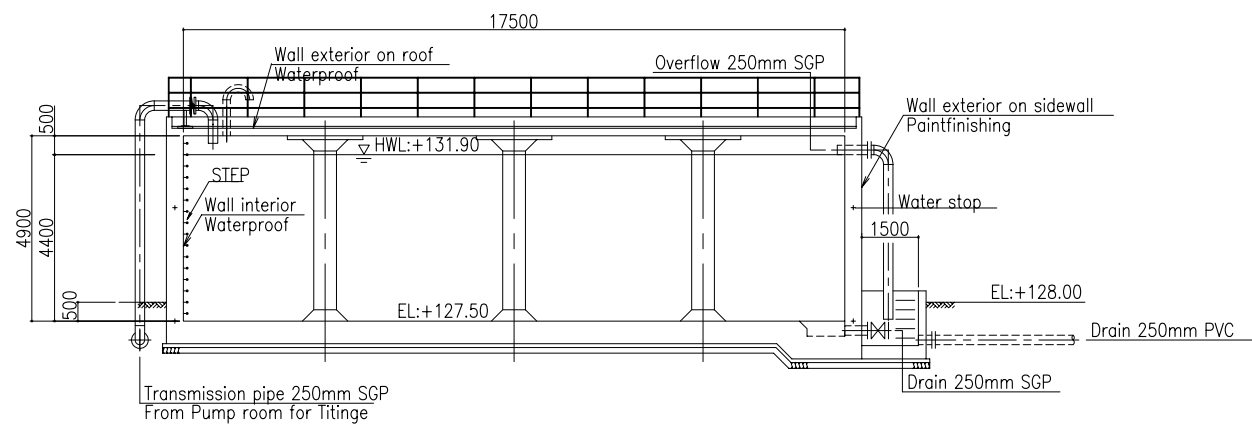
S=1:250

SWS-15 Plan and Cross-section of Tasahe Distribution Reservoir

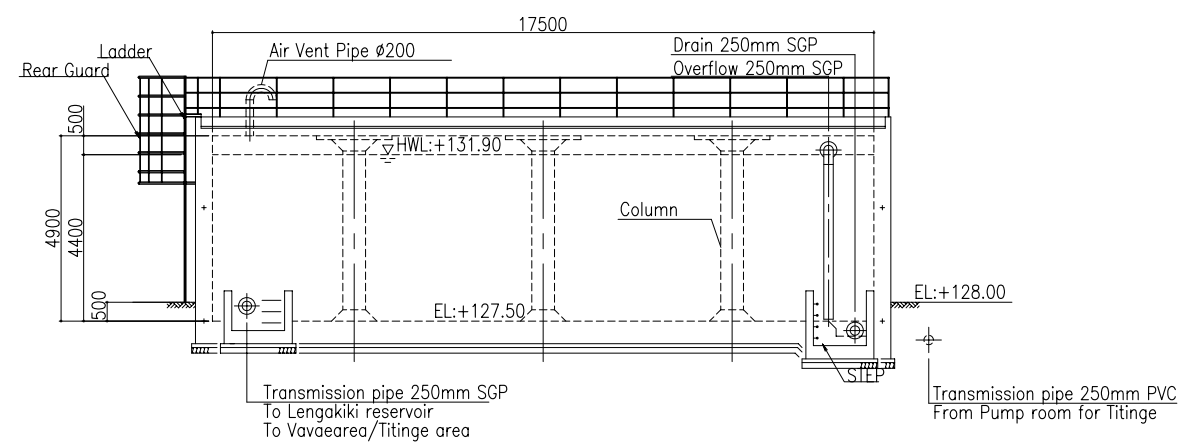
PLAN



A-A SECTION

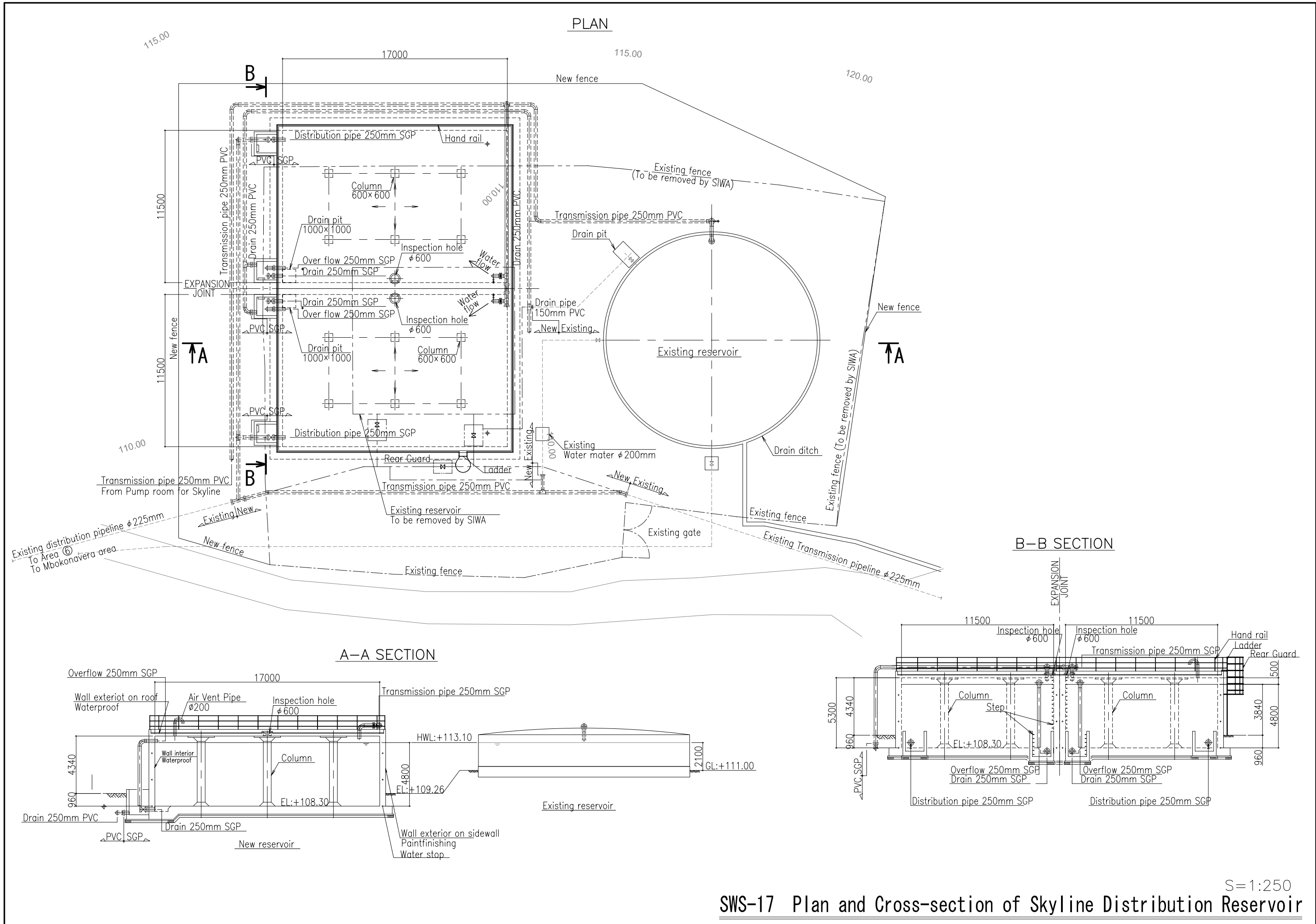


B-B SECTION



SWS-16 Plan and Cross-section of Titinge Distribution Reservoir

S=1:200



PLAN

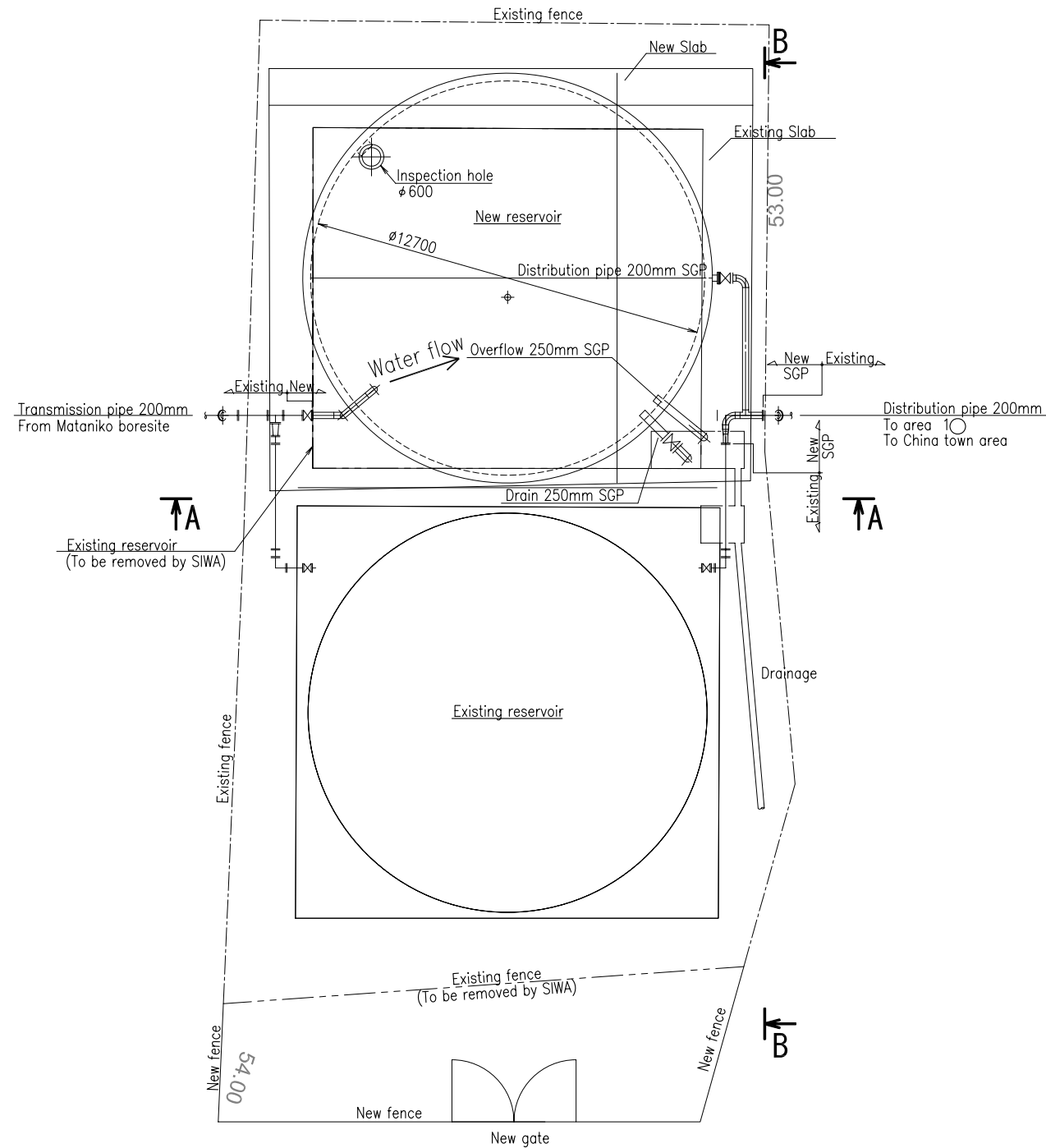
B-B SECTION

A-A SECTION

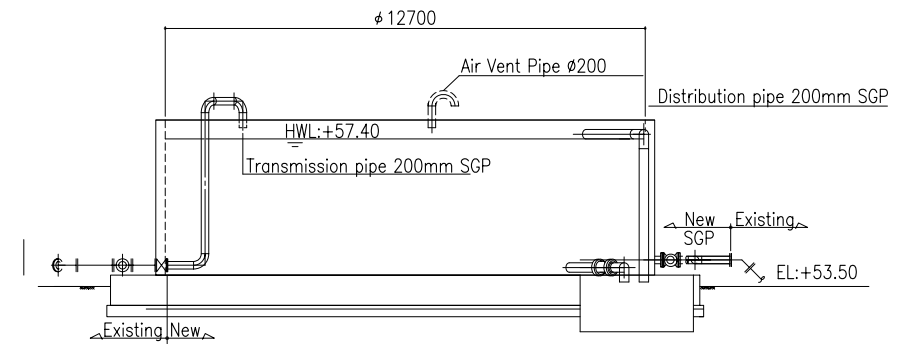
SWS-17 Plan and Cross-section of Skyline Distribution Reservoir

S = 1:250

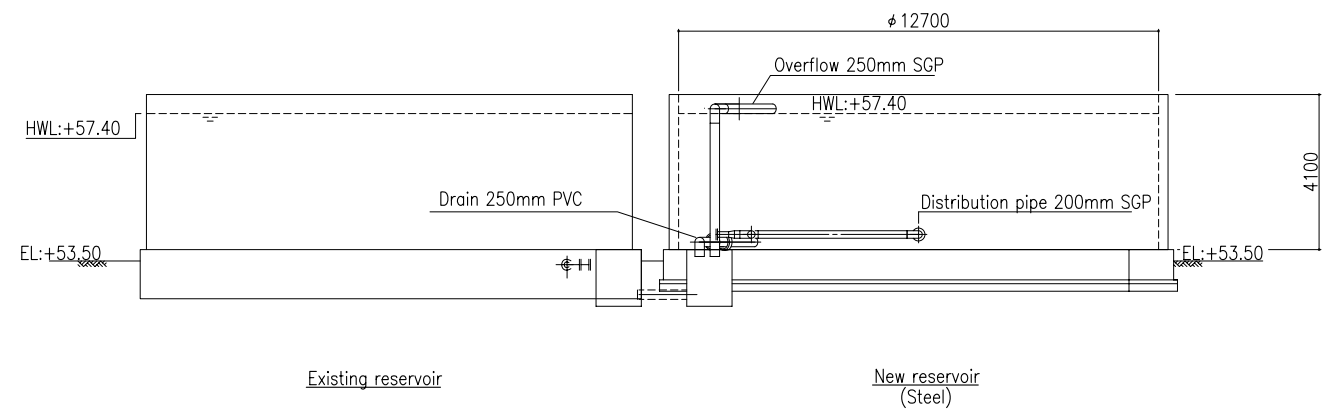
PLAN



A-A SECTION



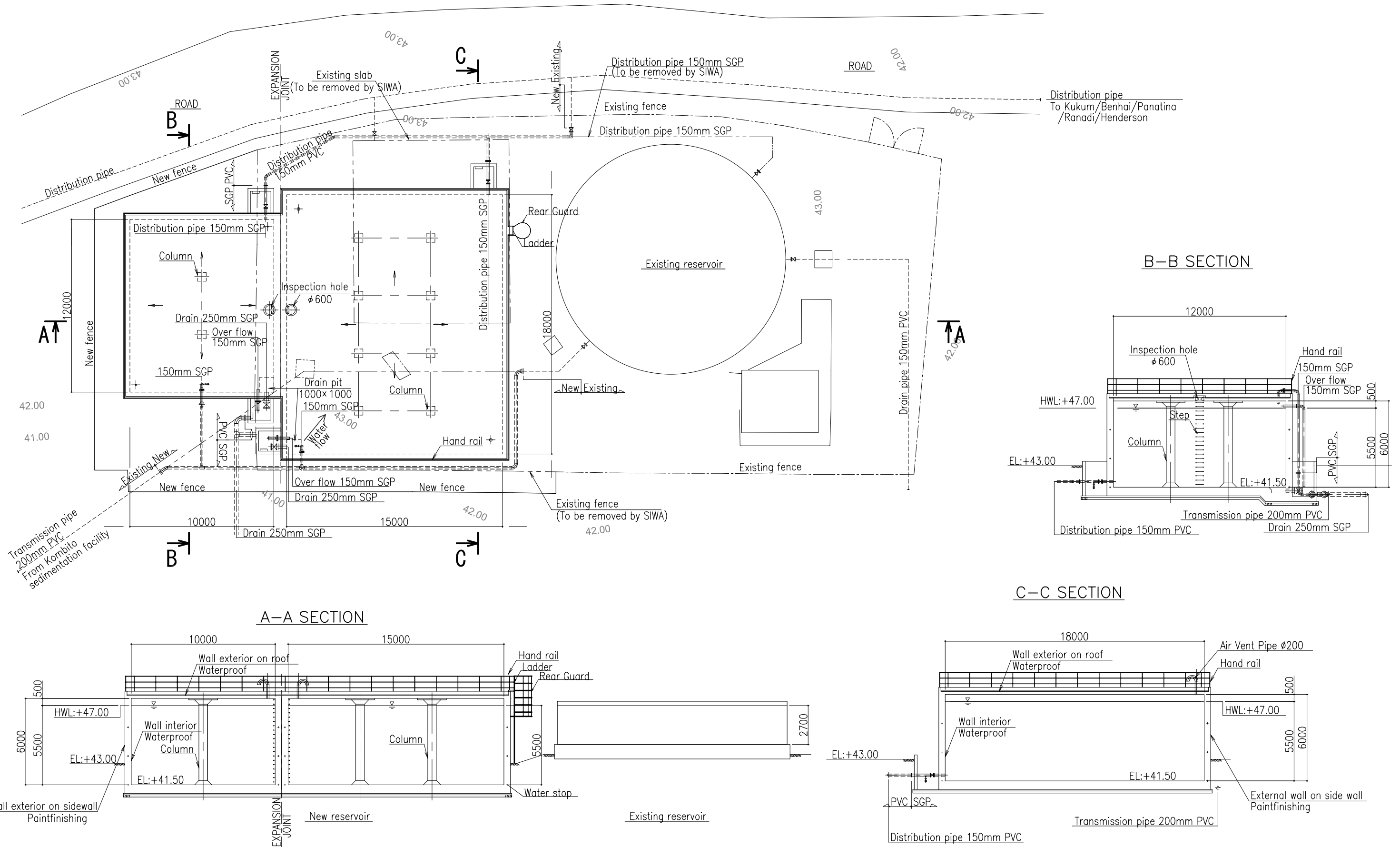
B-B SECTION



S=1:200

SWS-18 Plan and Cross-section of Lower West kolaa Distribution Reservoir

PLAN



S=1:250

SWS-19 Plan and Cross-section of Panatina Distribution Reservoir



Legend:

- New Borehole
- Existing Reservoir

SWS-20 Location Map of Requested Facilities in Auki City