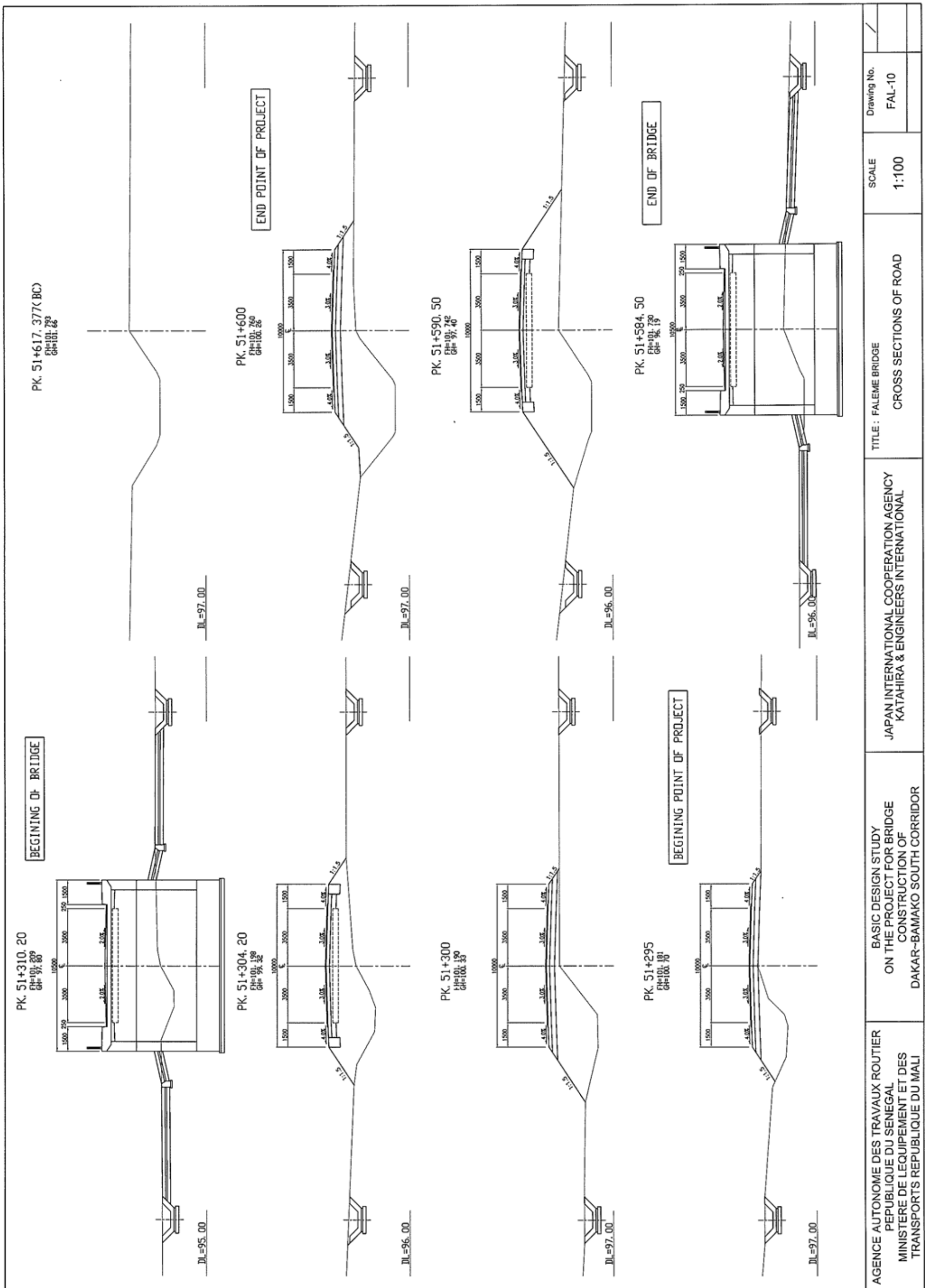
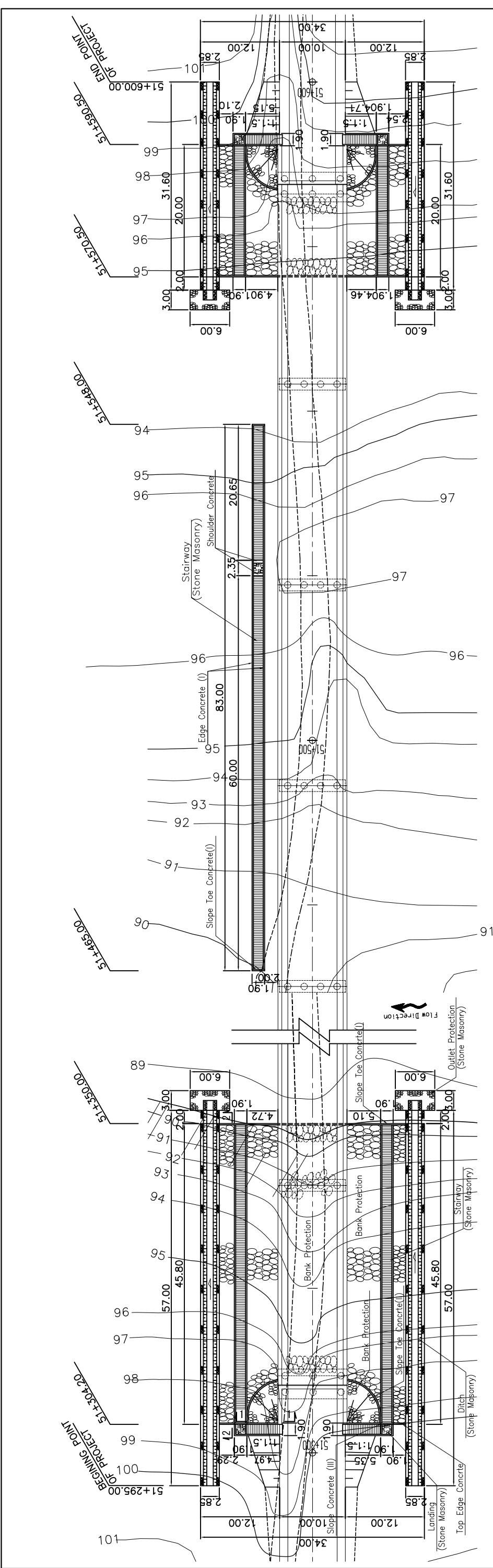


EARTH SECTION

<p>AGENCE AUTONOME DES TRAVAUX ROUTIER PEPUBLIQUE DU SENEGAL MINISTERE DE LEQUIPEMENT ET DES TRANSPORTS REPUBLIQUE DU MALI</p>	<p>BASIC DESIGN STUDY ON THE PROJECT FOR BRIDGE CONSTRUCTION OF DAKAR-BAMAKO SOUTH CORRIDOR</p>	<p>JAPAN INTERNATIONAL COOPERATION AGENCY KATAHIRA & ENGINEERS INTERNATIONAL</p>	<p>TITLE : FALEME BRIDGE TYPICAL CROSS SECTION OF ROAD</p>	<p>SCALE S=1:30</p>	<p>Drawing No. FAL-9</p>
--	---	--	--	-------------------------	------------------------------



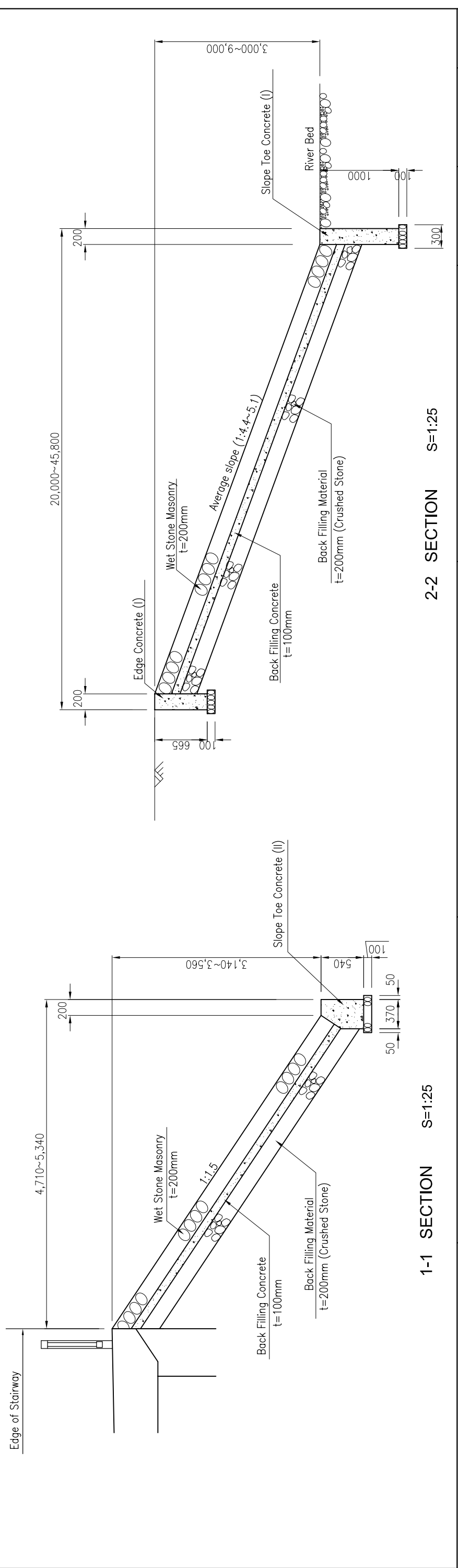
AGENCE AUTONOME DES TRAVAUX ROUTIER PEPUBLIQUE DU SENEGAL MINISTERE DE LEQUIPEMENT ET DES TRANSPORTS REPUBLIQUE DU MALI	BASIC DESIGN STUDY ON THE PROJECT FOR BRIDGE CONSTRUCTION OF DAKAR-BAMAKO SOUTH CORRIDOR	JAPAN INTERNATIONAL COOPERATION AGENCY KATAHIRA & ENGINEERS INTERNATIONAL	TITLE : FALEME BRIDGE CROSS SECTIONS OF ROAD	SCALE 1:100	Drawing No. FAL-10
--	---	--	---	----------------	-----------------------



Abutment A1 Side

Abutment A2 Side

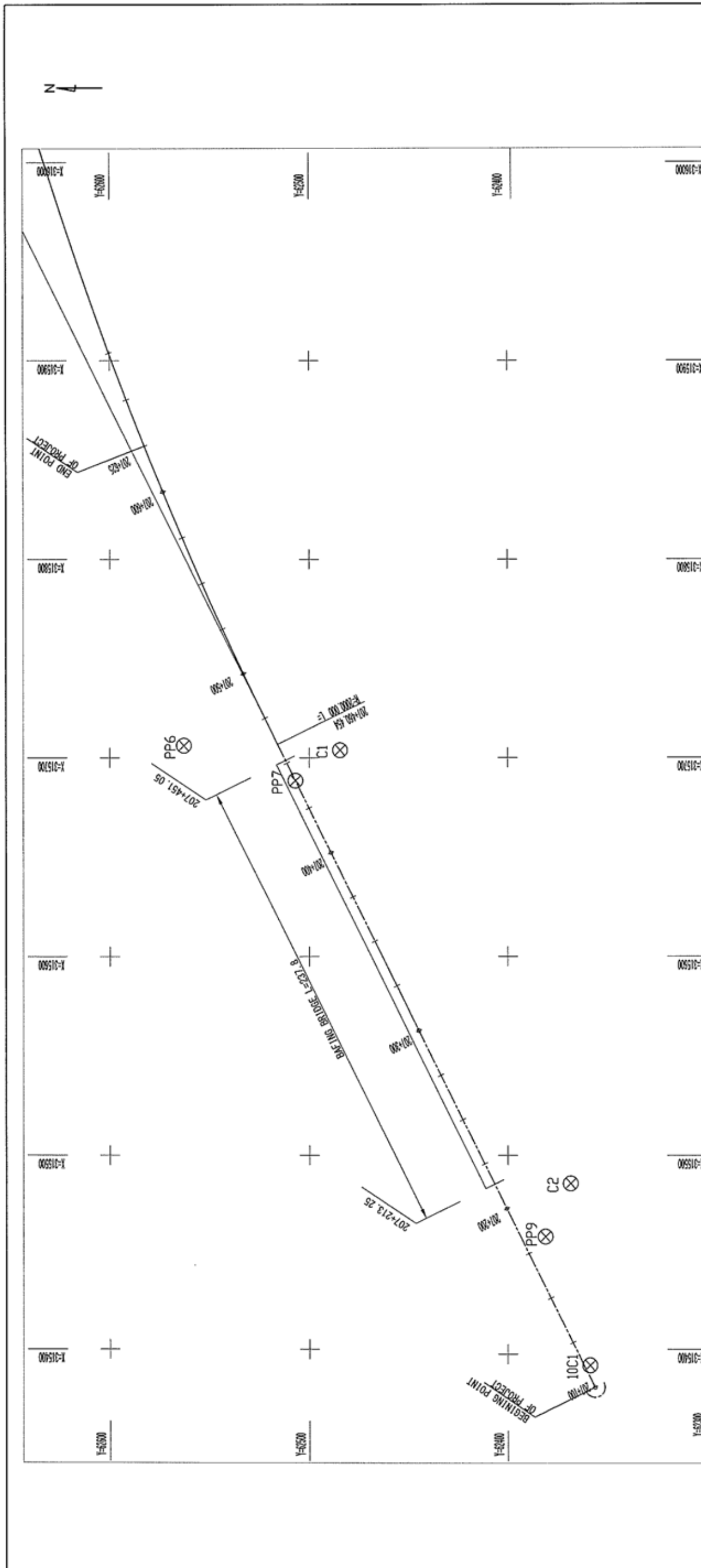
PLAN S=1:300



1-1 SECTION S=1:25

2-2 SECTION S=1:25

AGENCE AUTONOME DES TRAVAUX ROUTIER REPUBLIQUE DU SENEGAL MINISTERE DE LEQUIPEMENT ET DES TRANSPORTS REPUBLIQUE DU MALI	BASIC DESIGN STUDY ON THE PROJECT FOR BRIDGE CONSTRUCTION OF DAKAR-BAMAKO SOUTH CORRIDOR	JAPAN INTERNATIONAL COOPERATION AGENCY KATAHIRA & ENGINEERS INTERNATIONAL	TITLE : FALEME BRIDGE DETAIL OF BANK PROTECTION	SCALE As Mentioned	Drawing No. FAL-11
--	---	--	--	-----------------------	-----------------------



LIST OF ELEMENTS OF HORIZONTAL ALIGNMENT

INTERSECTION POINT	X-COORDINATE (m)	Y-COORDINATE (m)	GRID AZIMUTH (Degrees)	ANGLE OF INTERSECTION (Degrees)	RADIUS OF CURVATURE (m)
BP	315,383.4700	62,356.3350			
IP-1	315,769.2855	62,546.7761	430.257	3-59-58.2(L)	2000.000
EP	315,857.0508	62,582.5558	69.799		

COORDINATES OF STATIONS

No.	STATIONS	X-COORDINATE (m)	Y-COORDINATE (m)	REMARKS
1	207+100.000	315,383.47000	62,356.33500	START POINT OF PROJECT
2	207+213.250	315,485.02248	62,406.46187	ABUTMENT A1
3	207+247.150	315,515.42067	62,421.46674	PIER 1
4	207+281.150	315,545.90876	62,436.51587	PIER 2
5	207+315.150	315,576.39685	62,451.56499	PIER 3
6	207+349.150	315,606.88495	62,466.61412	PIER 4
7	207+383.150	315,637.37304	62,481.66325	PIER 5
8	207+417.150	315,667.86113	62,496.71237	PIER 6
9	207+451.050	315,698.25955	62,511.71724	ABUTMENT A2
10	207+625.000	315,857.04575	62,582.56577	END POINT OF PROJECT

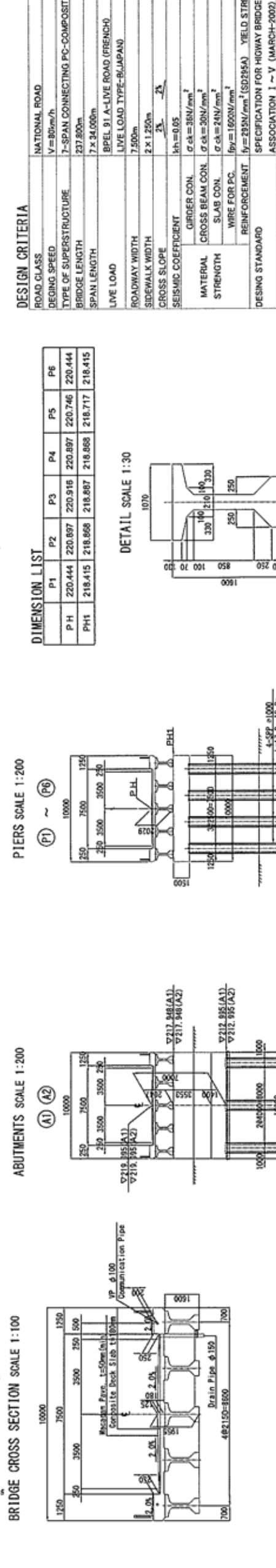
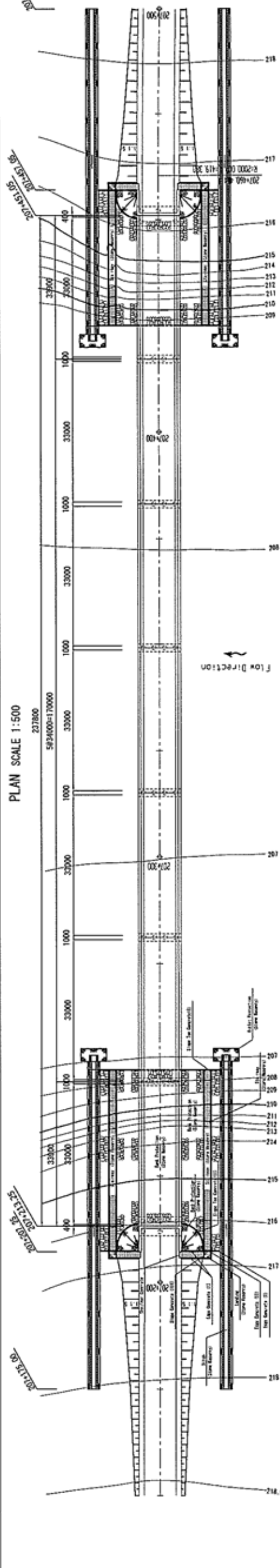
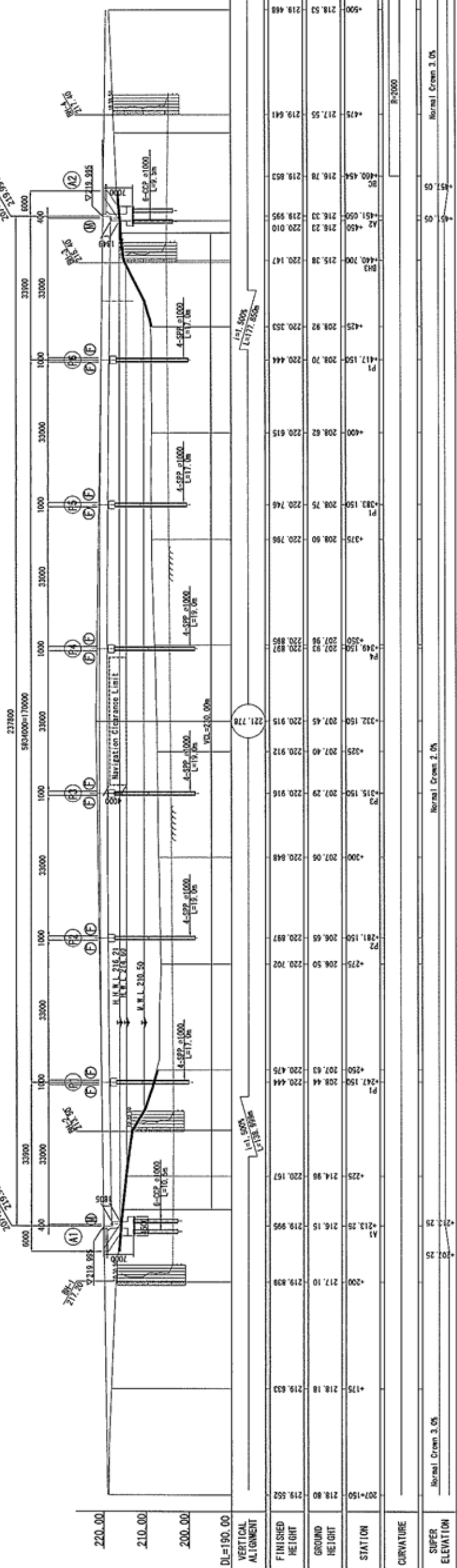
COORDINATES AND ELEVATION OF BENCH MARKS

SYMBOL	X-COORDINATE (m)	Y-COORDINATE (m)	ELEVATION (Z) (m)
PP6	315,706.124	62,562.812	217.527
PP7	315,688.592	62,506.942	215.437
PP9	315,459.202	62,381.210	218.212
PP10	315,394.475	62,356.819	217.968
C1	315,703.777	62,484.500	216.338
C2	315,485.809	62,368.563	217.317

AGENCE AUTONOME DES TRAVAUX ROUTIER REPUBLIQUE DU SENEGAL MINISTERE DE LEQUIPEMENT ET DES TRANSPORTS REPUBLIQUE DU MALI	BASIC DESIGN STUDY ON THE PROJECT FOR BRIDGE CONSTRUCTION OF DAKAR-BAMAKO SOUTH CORRIDOR	JAPAN INTERNATIONAL COOPERATION AGENCY KATAHIRA & ENGINEERS INTERNATIONAL
TITLE : BAFING BRIDGE COORDINATES OF DESIGN ELEMENTS		SCALE S=1:1000
		Drawing No. BAF-1

GENERAL VIEW OF BAFING BRIDGE

ELEVATION SCALE 1:500



DESIGN CLASS	NATIONAL ROAD
DESIGN SPEED	V=80km/h
TYPE OF SUPERSTRUCTURE	7-SPAN CONNECTING PC-COMPOSITE GIRDER
BRIDGE LENGTH	237.800m
SPAN LENGTH	7x34.000m
LIVE LOAD	BPTEL 91 A-LIVE ROAD (FRENCH) LIVE LOAD TYPE-BUMAPAN
ROADWAY WIDTH	7.500m
SIDEWALK WIDTH	2x1.250m
CROSS SLOPE	2%
SEISMIC COEFFICIENT	kh=0.05
GIRDER CON.	σ _{ck} =36N/mm ²
CROSS BEAM CON.	σ _{ck} =36N/mm ²
SLAB CON.	σ _{ck} =24N/mm ²
WIRE FOR PC.	f _{py} =1600N/mm ²
REINFORCEMENT	f _y =235N/mm ² (SD295A) YIELD STRESS
DESIGN STANDARD	SPECIFICATION FOR HIGHWAY BRIDGES JAPAN ASSOCIATION I ~ V (MARCH-2002)

AGENCE AUTONOME DES TRAVAUX ROUTIER
REPUBLIQUE DU SENEGAL
MINISTERE DE LEQUIPEMENT ET DES
TRANSPORTS REPUBLIQUE DU MALI

BASIC DESIGN STUDY
ON THE PROJECT FOR BRIDGE
CONSTRUCTION OF
DAKAR-BAMAKO SOUTH CORRIDOR

JAPAN INTERNATIONAL COOPERATION AGENCY
KATAHIRA & ENGINEERS INTERNATIONAL

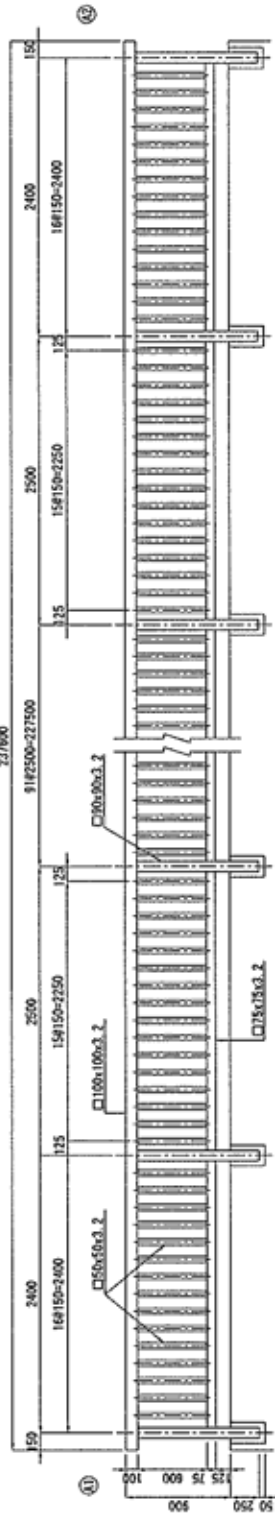
TITLE : BAFING BRIDGE
GENERAL VIEW

SCALE
S=1:500

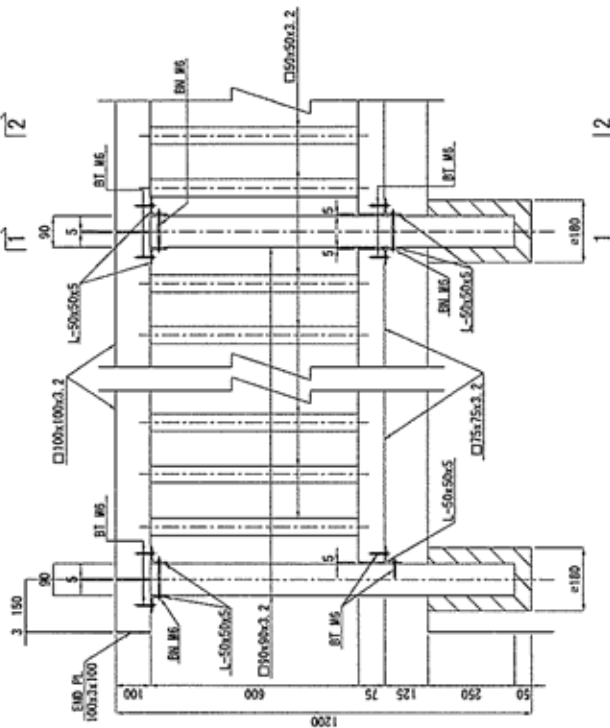
Drawing No.
BAF-2

DETAILS OF RAILING AND DRAINAGE

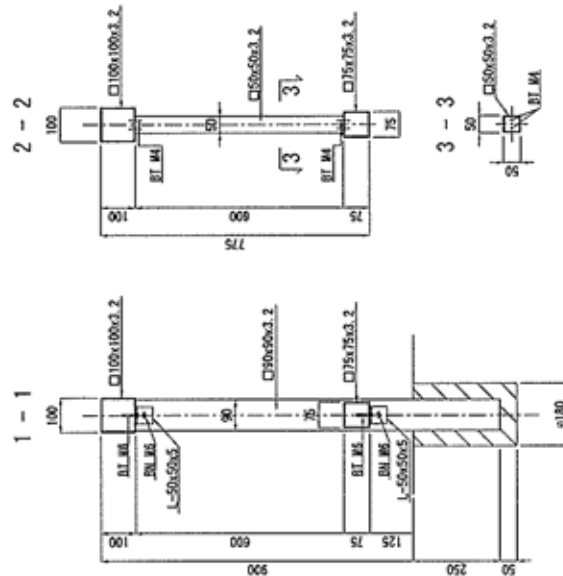
ELEVATION SCALE 1:30



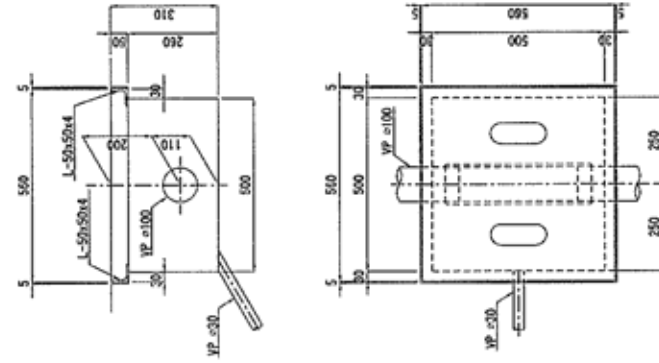
DETAILS SCALE 1:10



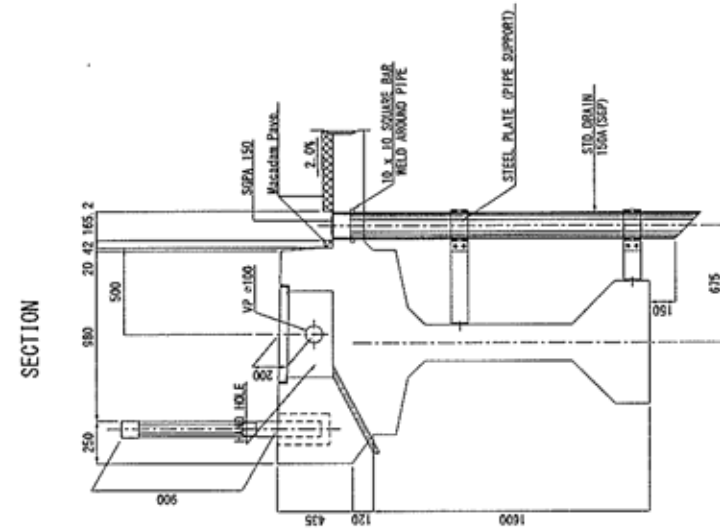
SECTION SCALE 1:10



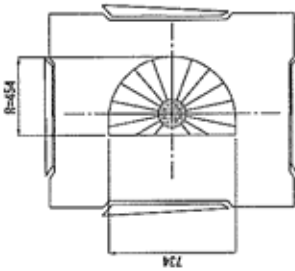
HAND HOLE SCALE 1:10



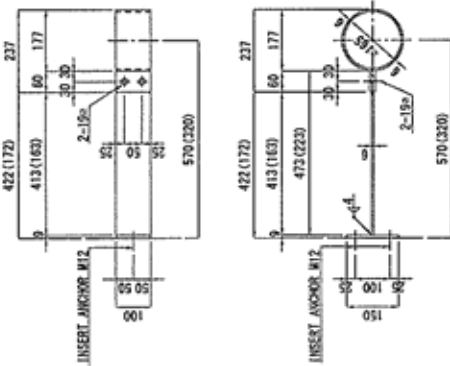
DRAINAGE SCALE 1:20



PLAN



SUPPORT SCALE 1:10



- 4 - □ 100x100x3.2x148
- 4 - □ 100x100x3.2x2395
- 186 - □ 100x100x3.2x2495
- 4 - □ 75x75x3.2x2300
- 186 - □ 75x75x3.2x2400
- 192 - □ 90x90x3.2x1050
- 3036 - □ 50x50x3.2x600
- 764 - L-50x50x5x50
- 4 - END PL 100x3x100
- 380 - BN M6
- 768 - BT M6
- 12144 - BT M4

- 2-PL 100x6x651 (SS400)
- 1-PL 100x6x473 (SS400)
- 1-PL 100x6x223 (SS400)
- 2-PL 100x9x150
- 4-BN M16x40 (SS400)
- 4-INSERT ANCHOR M12 (SS400)

AGENCE AUTONOME DES TRAVAUX ROUTIER
PEPUBLIQUE DU SENEGAL
MINISTERE DE LEQUIPEMENT ET DES
TRANSPORTS REPUBLIQUE DU MALI

BASIC DESIGN STUDY
ON THE PROJECT FOR BRIDGE
CONSTRUCTION OF
DAKAR-BAMAKO SOUTH CORRIDOR

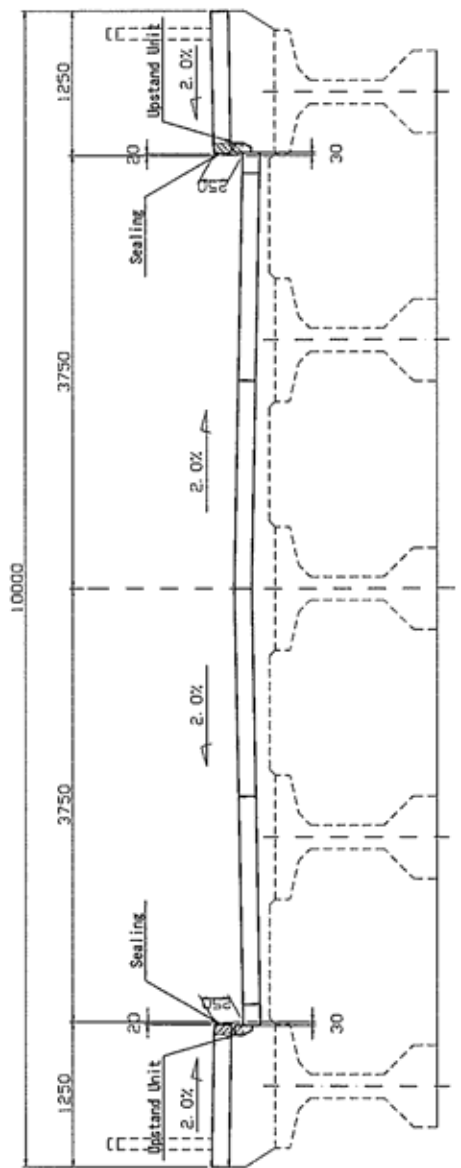
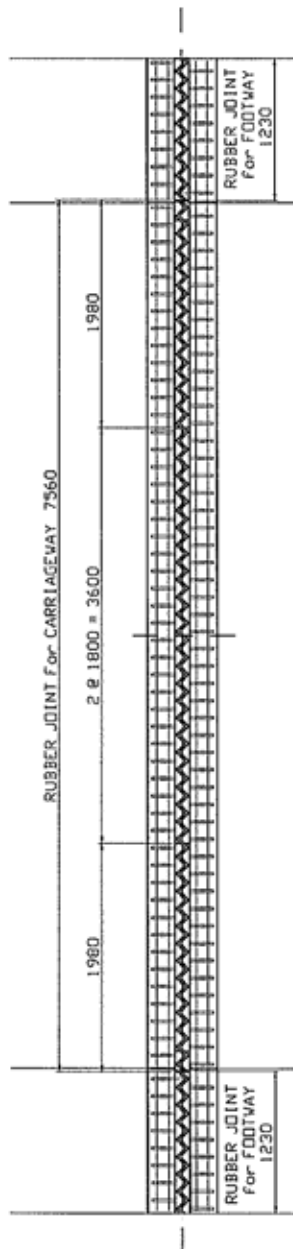
JAPAN INTERNATIONAL COOPERATION AGENCY
KATAHIRA & ENGINEERS INTERNATIONAL

TITLE : BAFING BRIDGE
DETAILS OF RAILING AND DRAINAGE

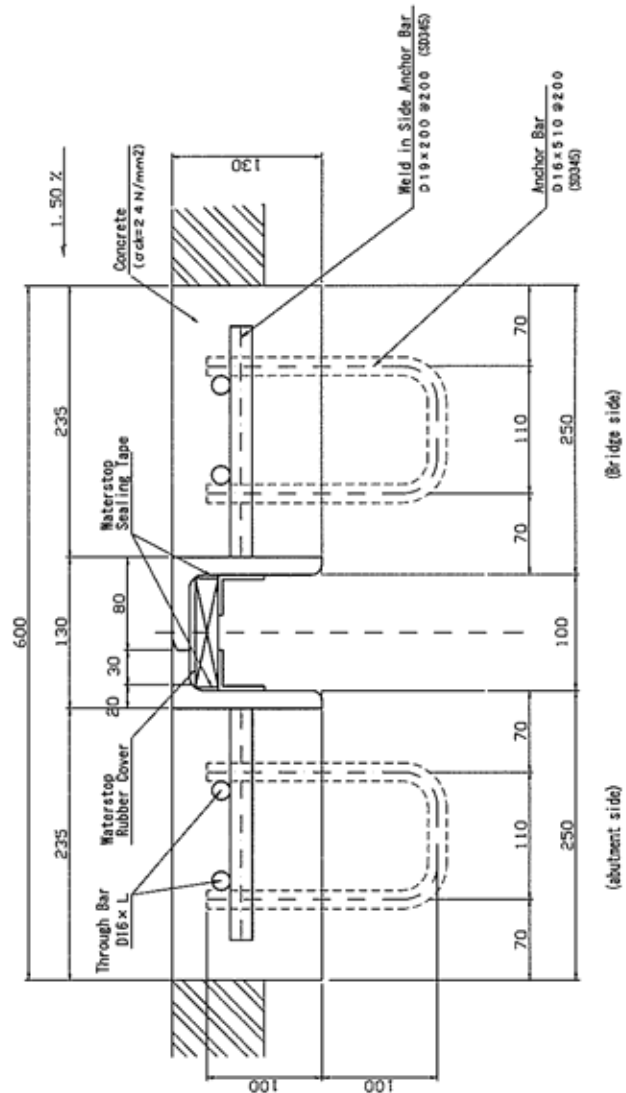
SCALE
S=1:10

Drawing No.
BAF-4

DETAILS OF EXPANSION JOINT SCALE 1:30



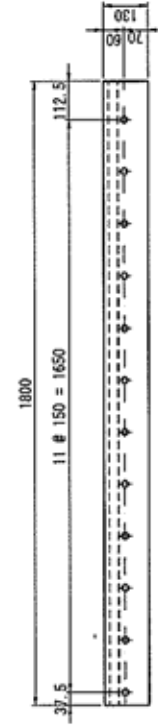
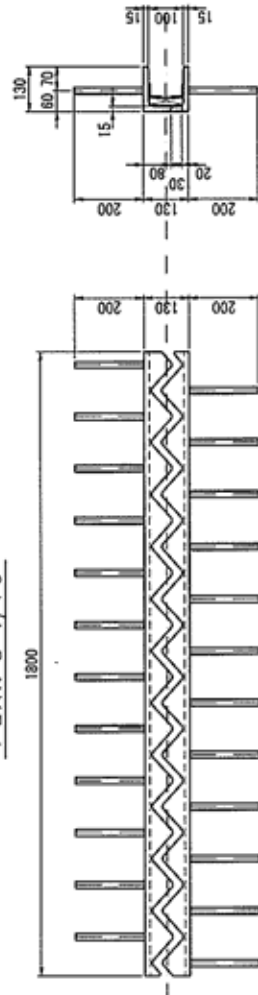
CROSS SECTION S=1/3



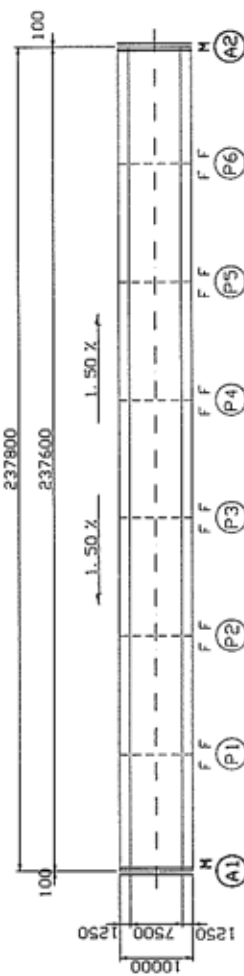
MATERIAL of EXPANSION JOINT (1 set / 10 m)					
No.	Material	Material Grade	Unit	Quantity	Remarks
1	RUBBER JOINT for CARRIAGEWAY	SS400	m	7.56	KMS II - 50
2	RUBBER JOINT for FOOTWAY	SS400	m	2.46	KMS II - 50
3	UPSTAND UNIT for CARRIAGEWAY	SS400	Set	2.00	
4	CONCRETE	$\sigma_{cs} = 24 \text{ N/mm}^2$	m ³	0.61	
5	Through Bar for CARRIAGEWAY	SD345	kg	49.92	Ø16 x 4, 0m x 8-Numbers
6	Through Bar for CARRIAGEWAY	SD345	kg	14.35	Ø16 x 1, 15m x 8-Numbers
7	Sealing	Silicon	m	0.50	

8	Anchor Bar	SD345	kg	79.56	Ø16 x 510 x 100-Numbers
---	------------	-------	----	-------	-------------------------

PLAN S=1/10



MARKING DIAGRAM



AGENCE AUTONOME DES TRAVAUX ROUTIER
 REPUBLIQUE DU SENEGAL
 MINISTERE DE LEQUIPEMENT ET DES
 TRANSPORTS REPUBLIQUE DU MALI

BASIC DESIGN STUDY
 ON THE PROJECT FOR BRIDGE
 CONSTRUCTION OF
 DAKAR-BAMAKO SOUTH CORRIDOR

JAPAN INTERNATIONAL COOPERATION AGENCY
 KATAHIRA & ENGINEERS INTERNATIONAL

TITLE : BAFING BRIDGE
 DETAILS OF EXPANSION JOINT

SCALE
 S=1:30

Drawing No.
 BAF-5

