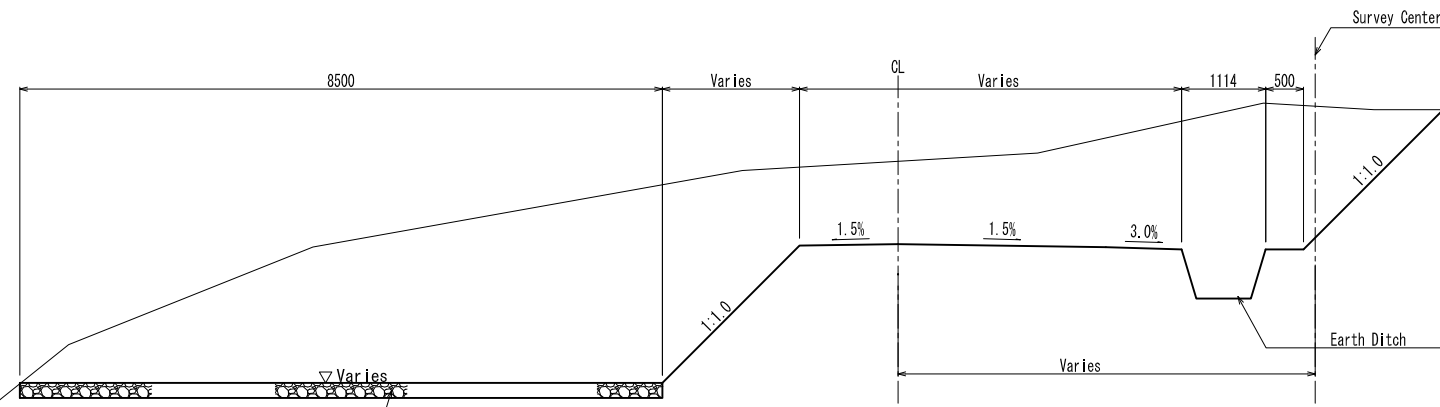
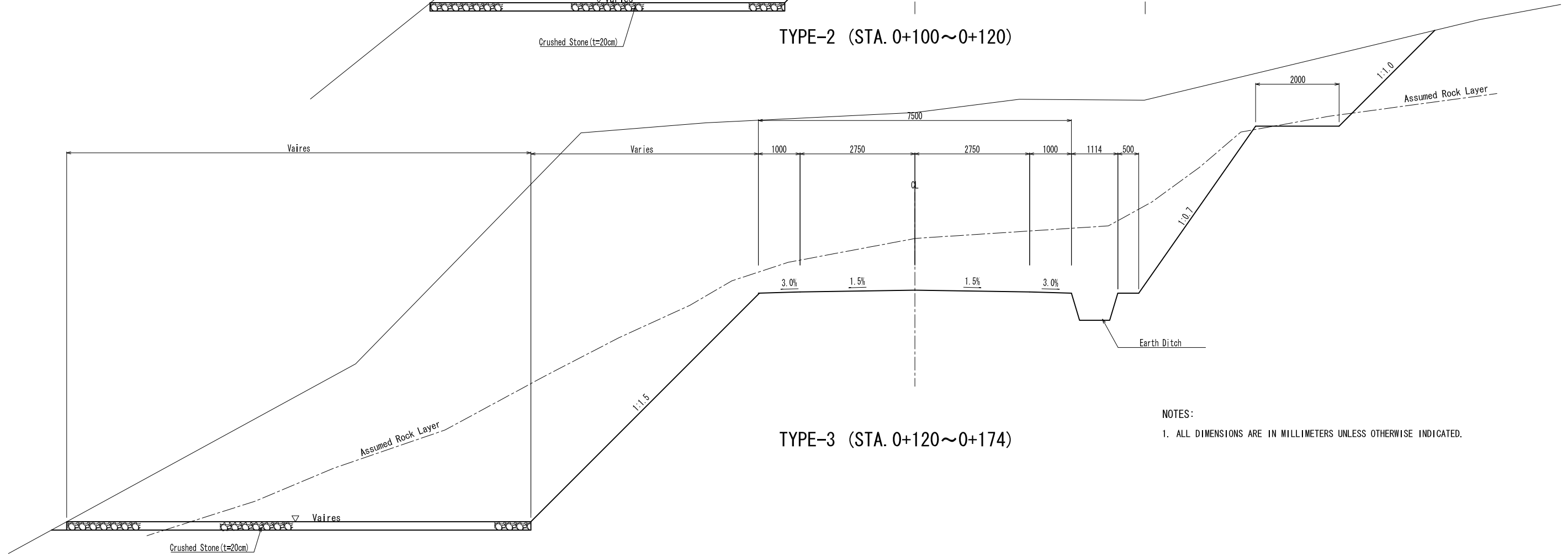


TYPE-1 (STA. 0+ 20~0+100)



TYPE-2 (STA. 0+100~0+120)



TYPE-3 (STA. 0+120~0+174)

NOTES:

1. ALL DIMENSIONS ARE IN MILLIMETERS UNLESS OTHERWISE INDICATED.

DEPARTMENT OF AGRARIAN REFORM
THE REPUBLIC OF THE PHILIPPINES

BASIC DESIGN STUDY
ON THE BRIDGE CONSTRUCTION PROJECT
FOR EXPANDED AGRARIAN REFORM
COMMUNITIES DEVELOPMENT

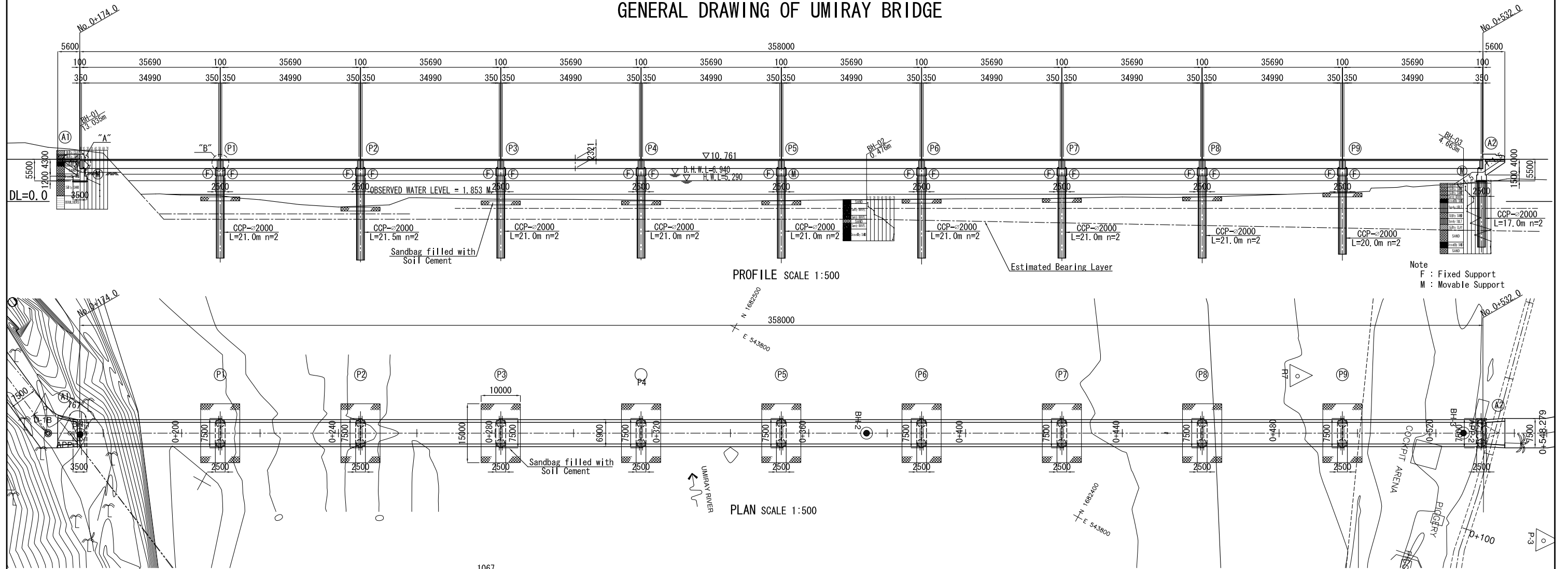
JAPAN INTERNATIONAL COOPERATION AGENCY
CTI ENGINEERING INTERNATIONAL CO., LTD.

TITLE : UMIRAY BRIDGE
TYPICAL CROSS SECTION
OF TEMPORARY WORKS

SCALE
S=1:50

Drawing No.
U09

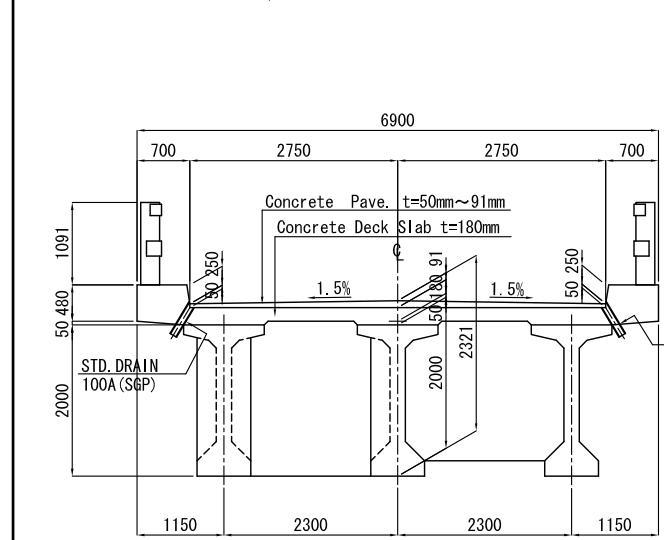
GENERAL DRAWING OF UMIRAY BRIDGE



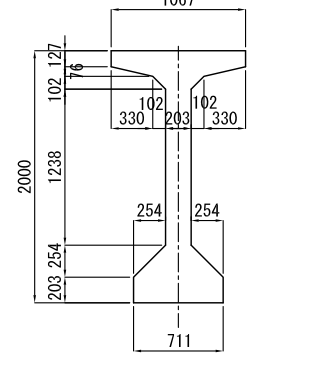
PROFILE SCALE 1:500

PLAN SCALE 1:500

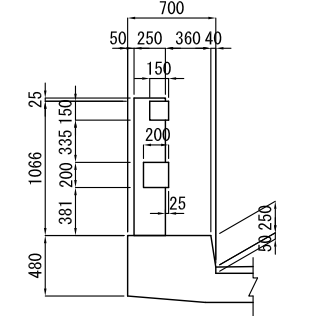
Note
 F : Fixed Support
 M : Movable Support



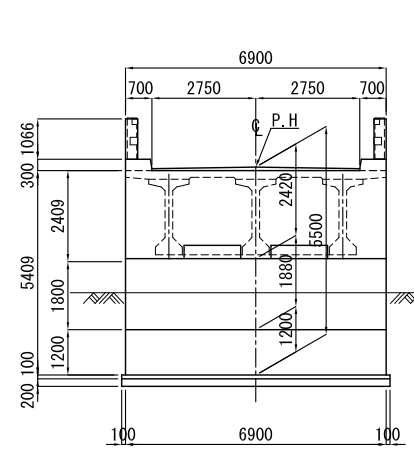
BRIDGE CROSS SECTION SCALE 1:50



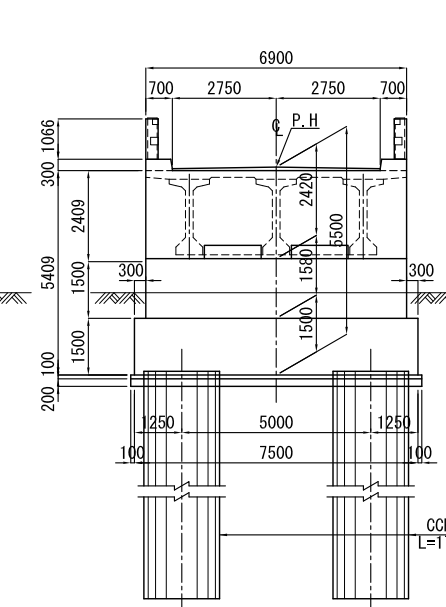
PC GIRDER TYPE VI (Modified) SCALE 1:30



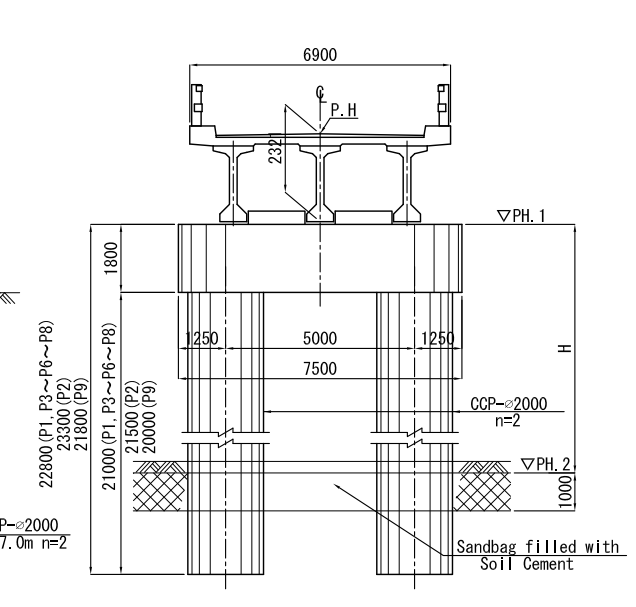
DETAIL SCALE 1:30



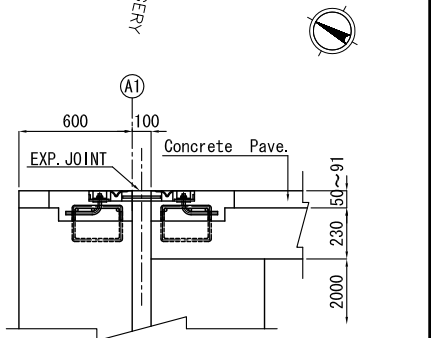
ABUTMENT SCALE 1:100



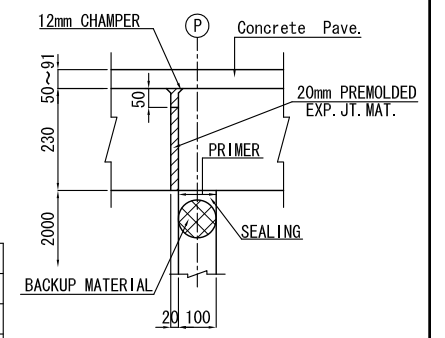
(A2)



PIERS SCALE 1:100



DETAIL "A" SCALE 1:20

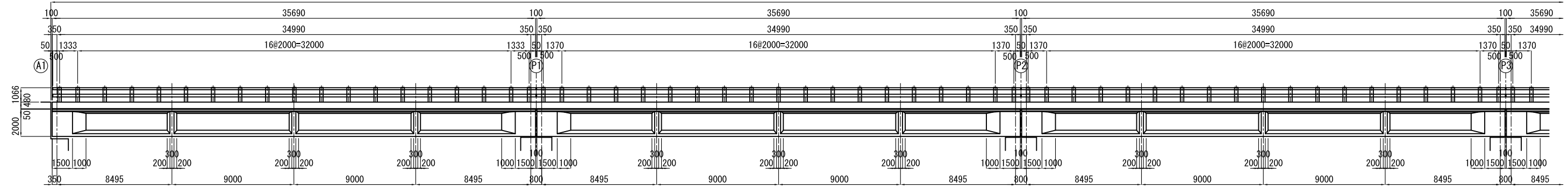


DETAIL "B" SCALE 1:10

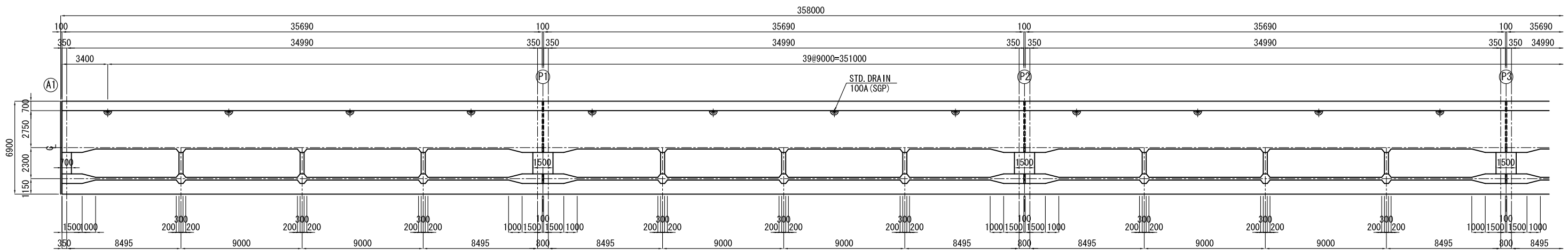
	P1	P2	P3	P4	P5	P6	P7	P8	P9
PH. 1	8.366	8.366	8.366	8.366	8.348	8.366	8.366	8.366	8.366
PH. 2	1.166	-1.434	0.166	0.166	0.148	0.566	0.766	1.166	2.166
H	7200	9800	8200	8200	8200	7800	7600	7200	6200

STRUCTURAL DRAWING OF SUPERSTRUCTURE (1)

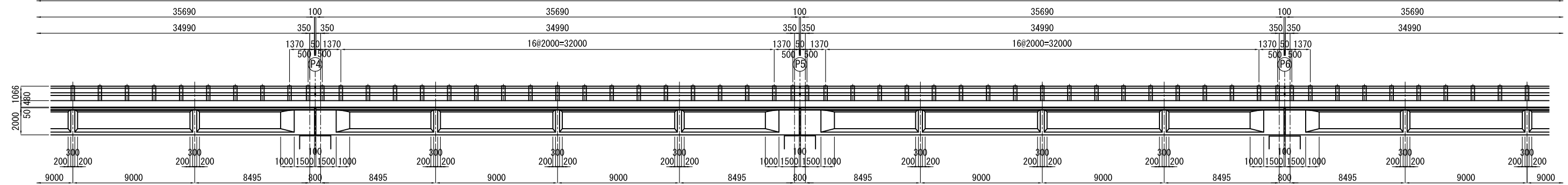
ELEVATION SCALE 1:150
358000



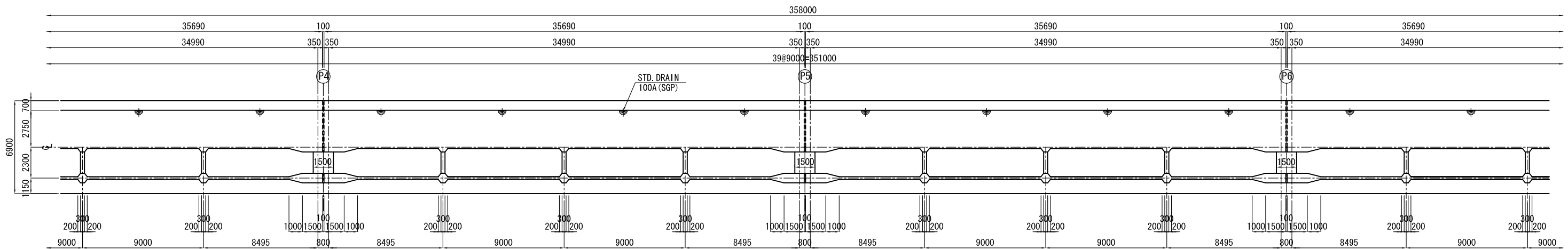
PLAN SCALE 1:150
358000



ELEVATION SCALE 1:150
358000



PLAN SCALE 1:150
358000



DEPARTMENT OF AGRARIAN REFORM
THE REPUBLIC OF THE PHILIPPINES

BASIC DESIGN STUDY
ON THE BRIDGE CONSTRUCTION PROJECT
FOR EXPANDED AGRARIAN REFORM
COMMUNITIES DEVELOPMENT

JAPAN INTERNATIONAL COOPERATION AGENCY
CTI ENGINEERING INTERNATIONAL CO., LTD.

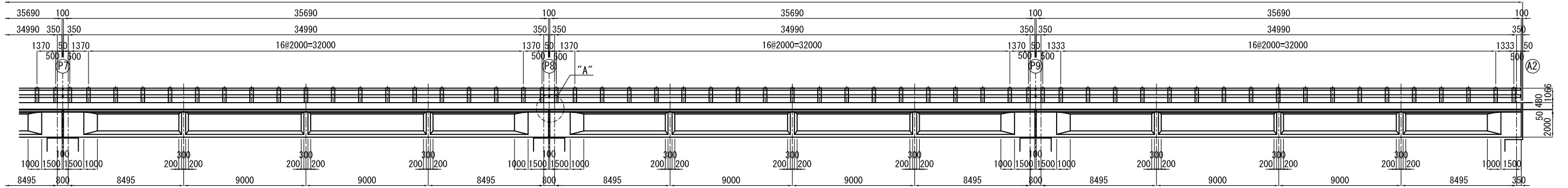
TITLE : UMIRAY BRIDGE
STRUCTURAL DRAWING OF SUPERSTRUCTURE (1/2)

SCALE
S=1:150

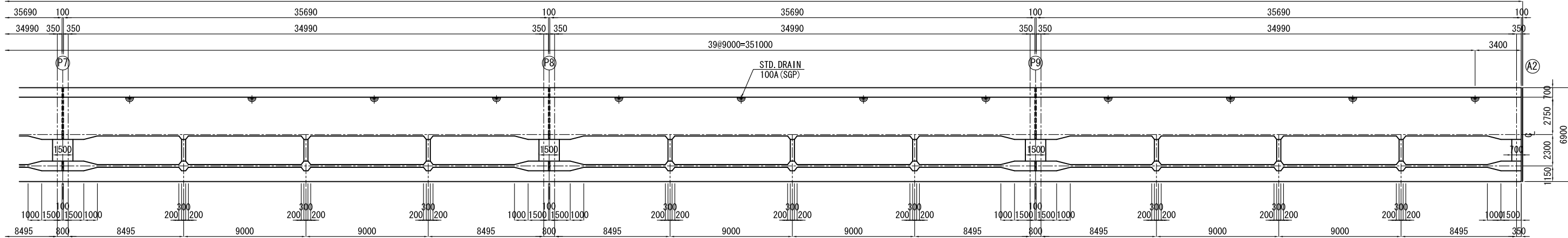
Drawing No.
U11

STRUCTURAL DRAWING OF SUPERSTRUCTURE (2)

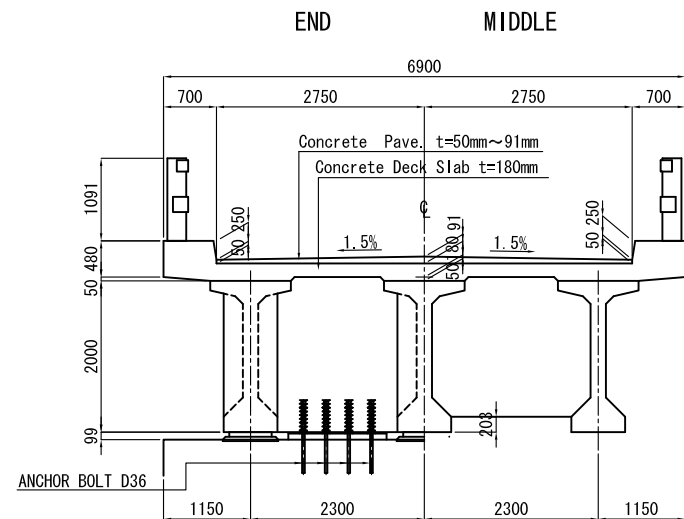
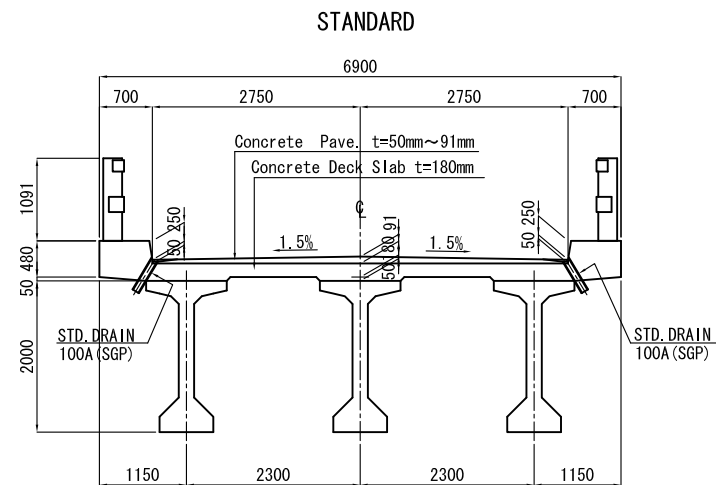
ELEVATION SCALE 1:150
358000



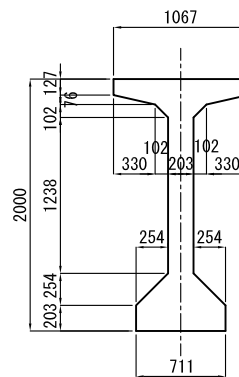
PLAN SCALE 1:150
358000



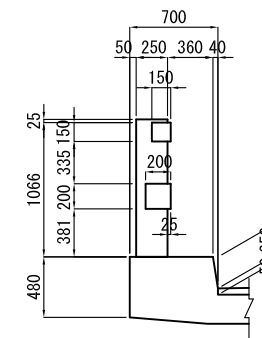
BRIDGE CROSS SECTION SCALE 1:50



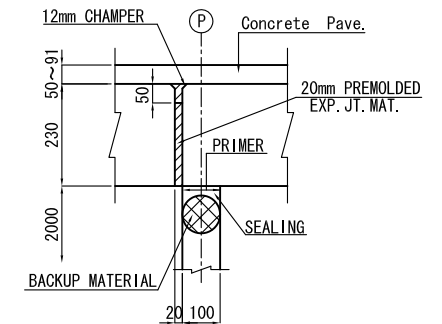
PC GIRDER TYPE VI SCALE 1:30
(Modified)



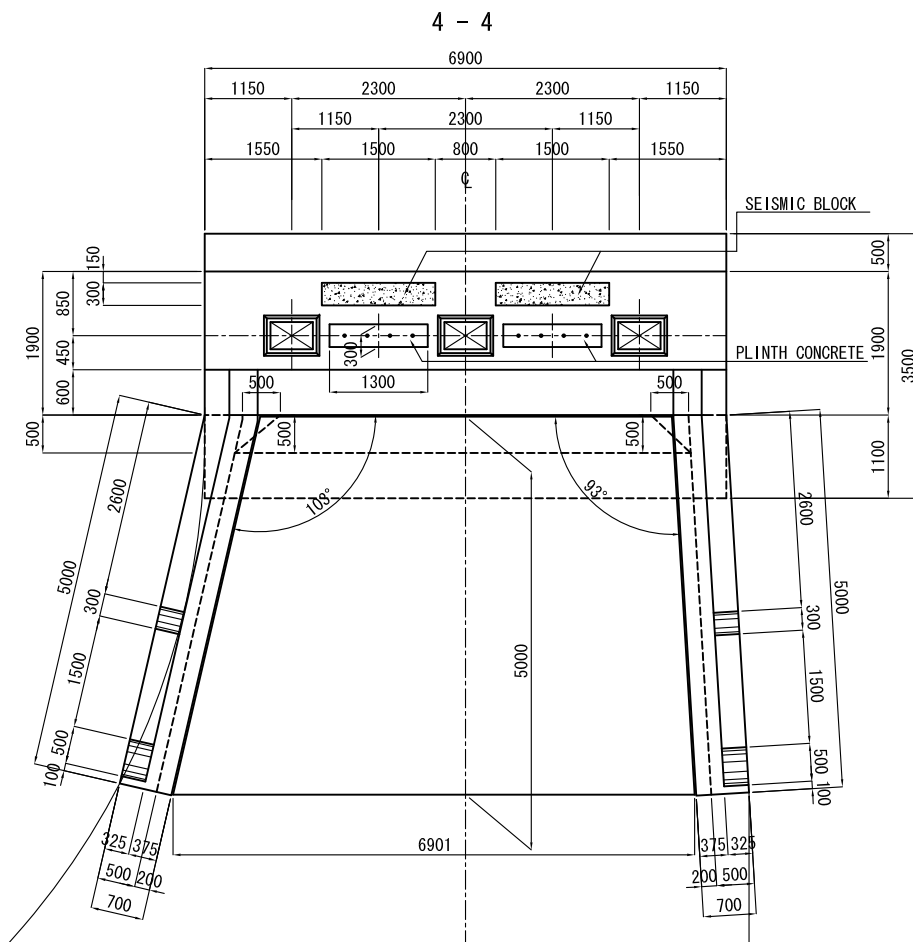
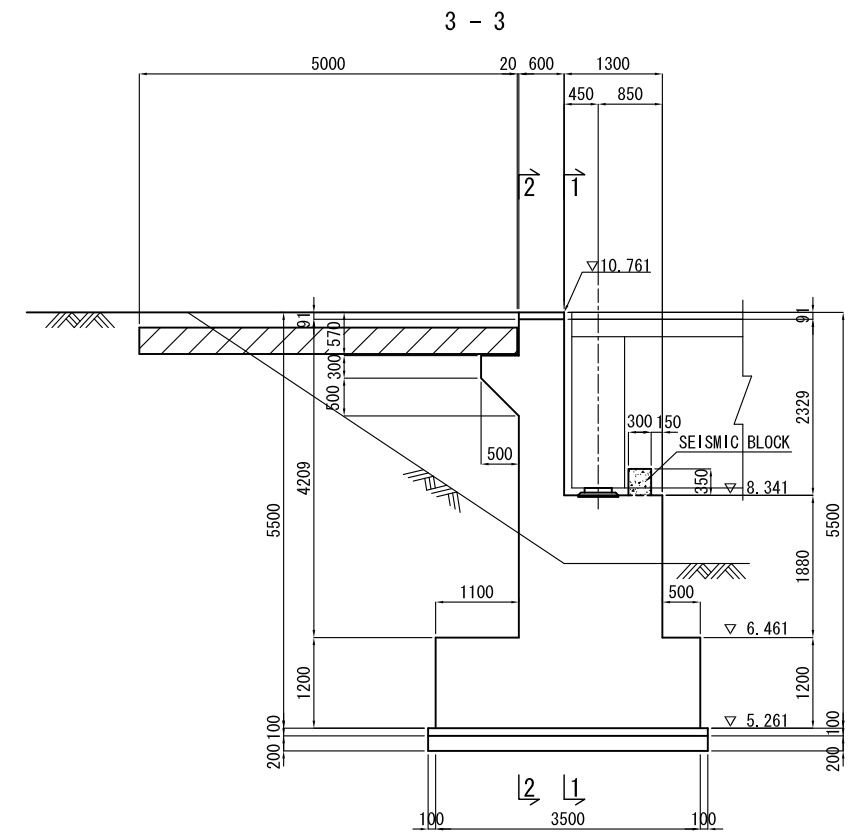
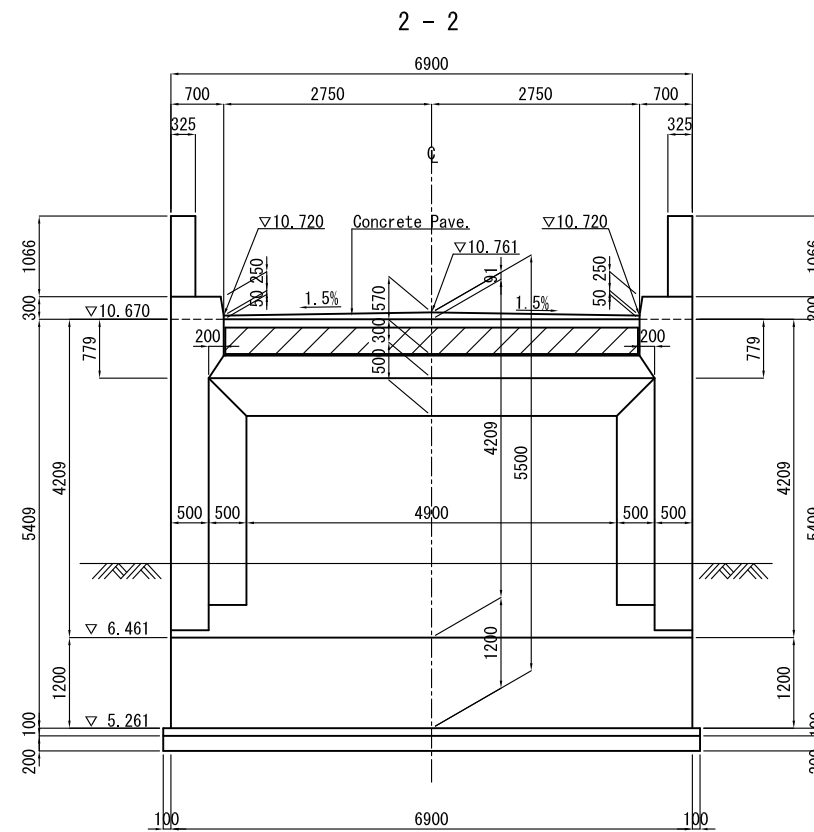
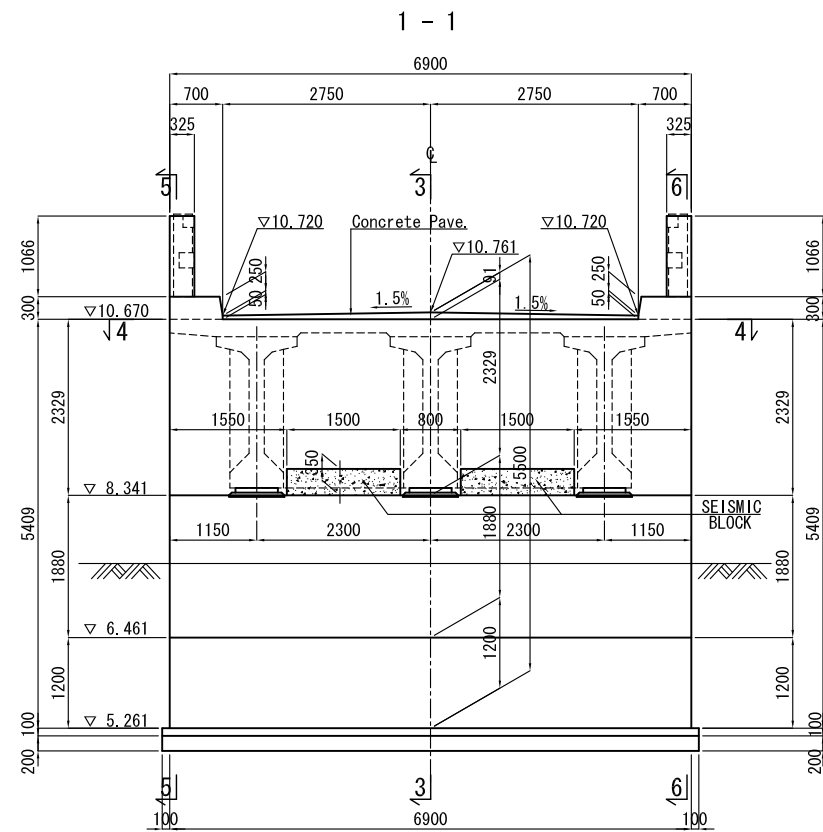
DETAIL SCALE 1:30



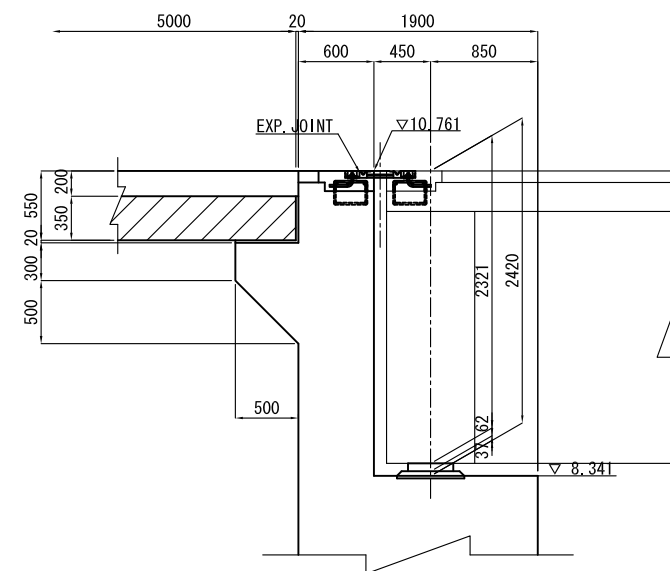
DETAIL "A" SCALE 1:10



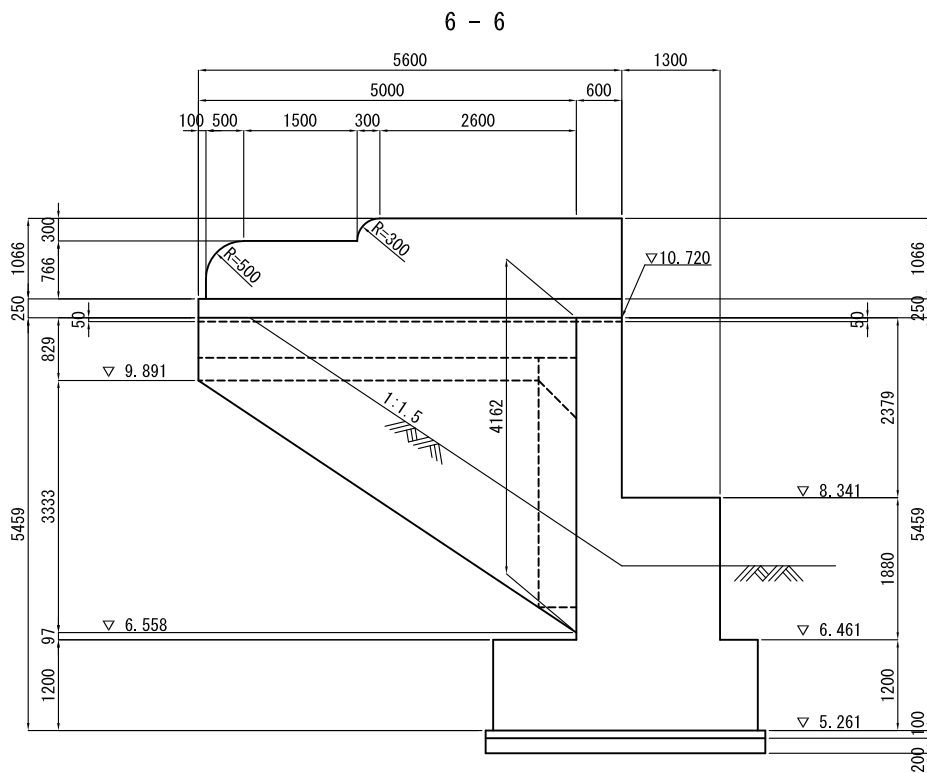
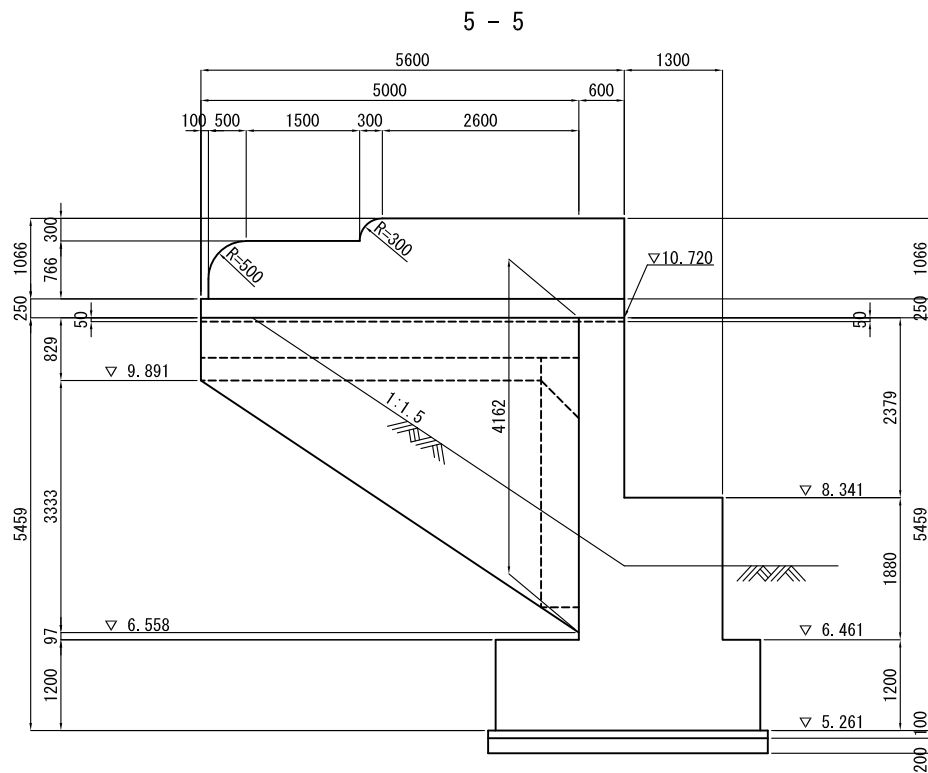
STRUCTURAL DRAWING OF A1 ABUTMENT (1) SCALE 1:50



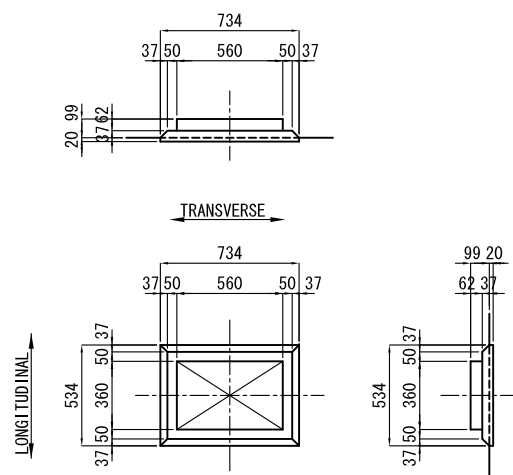
DETAILS SCALE 1:30



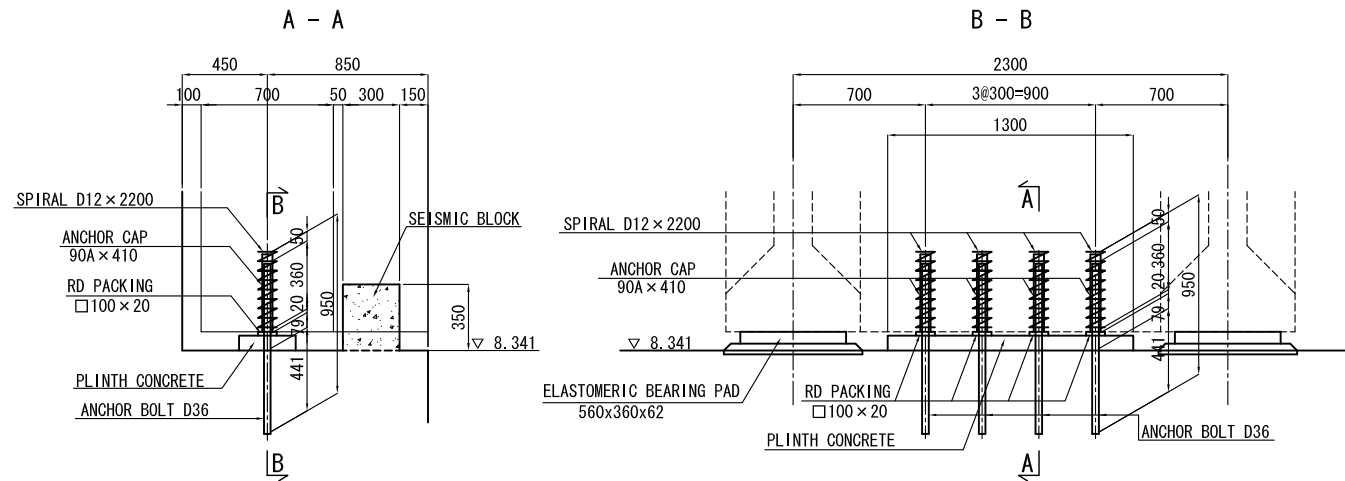
STRUCTURAL DRAWING OF A1 ABUTMENT (2) SCALE 1:50



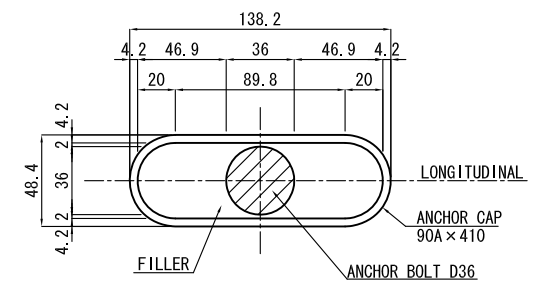
DETAILS SCALE 1:20



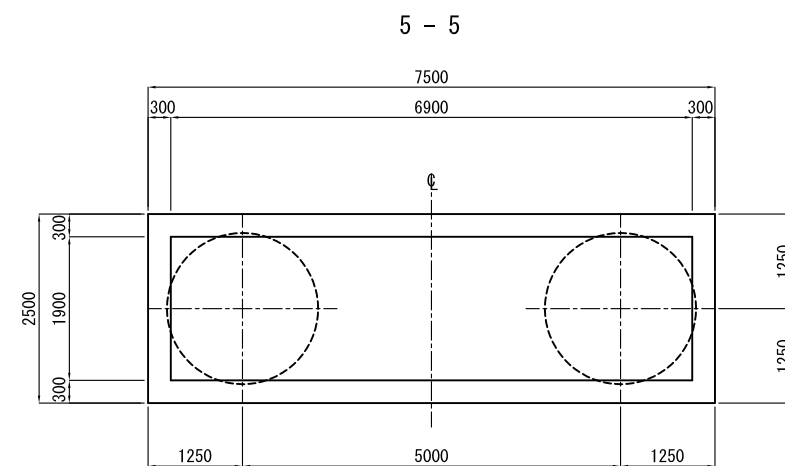
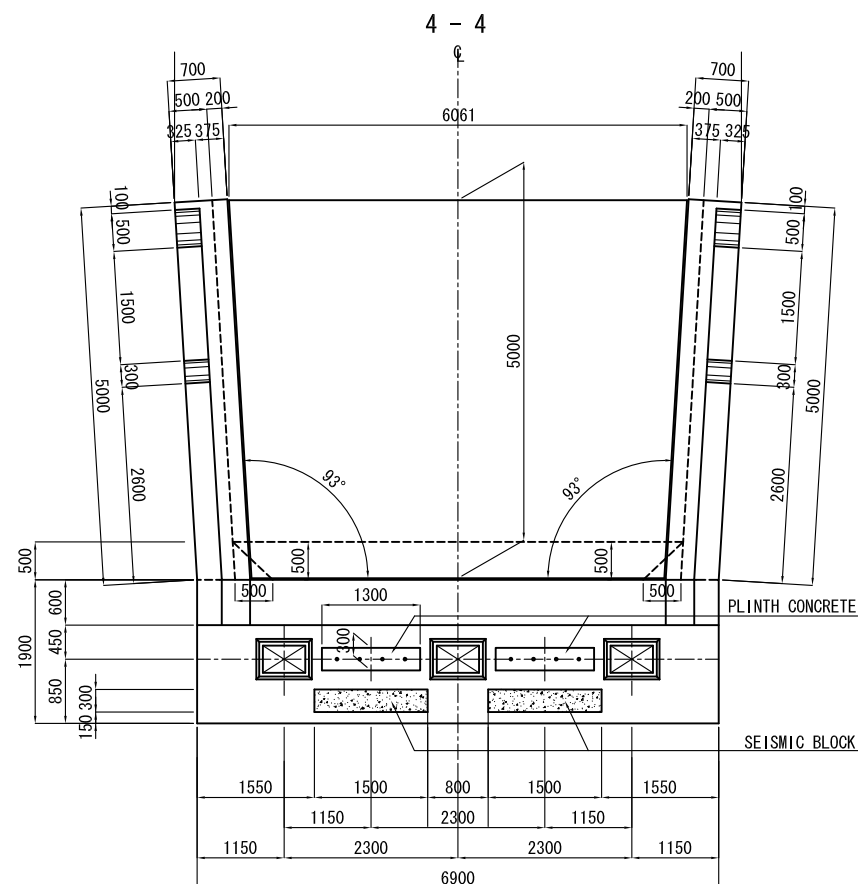
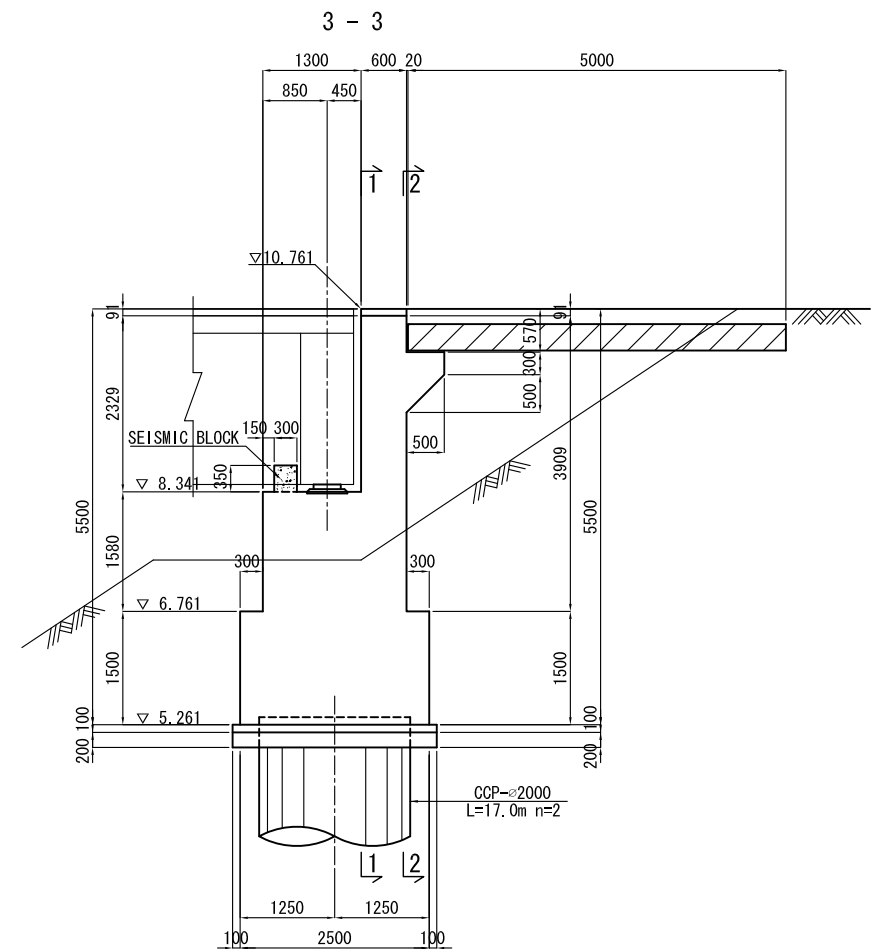
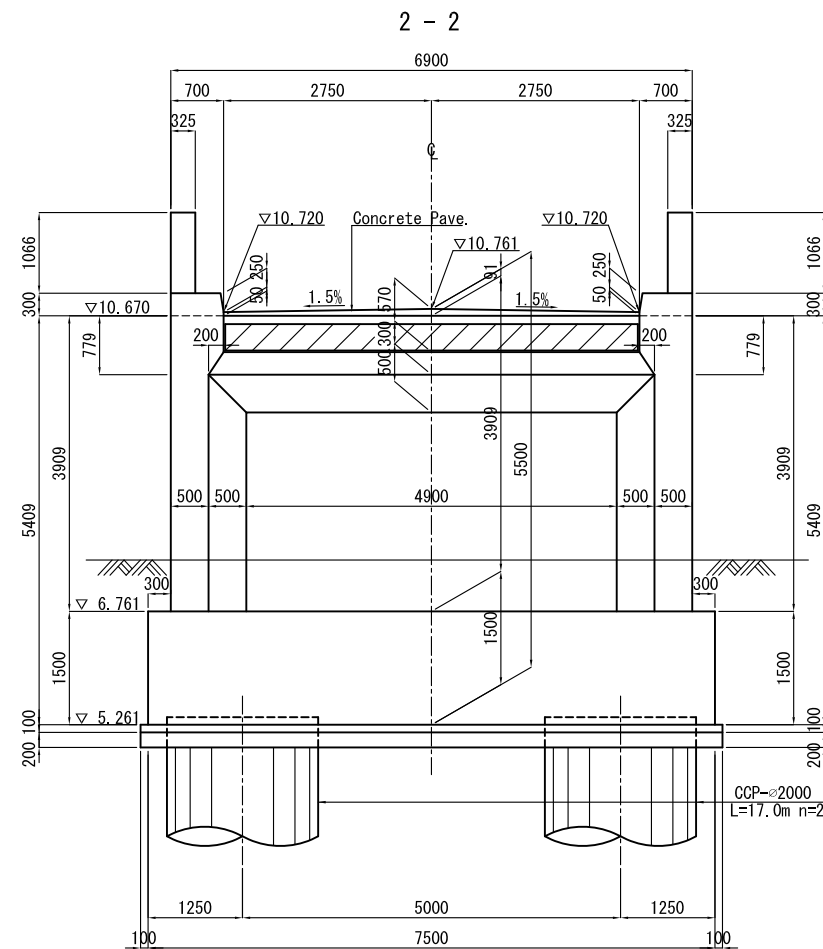
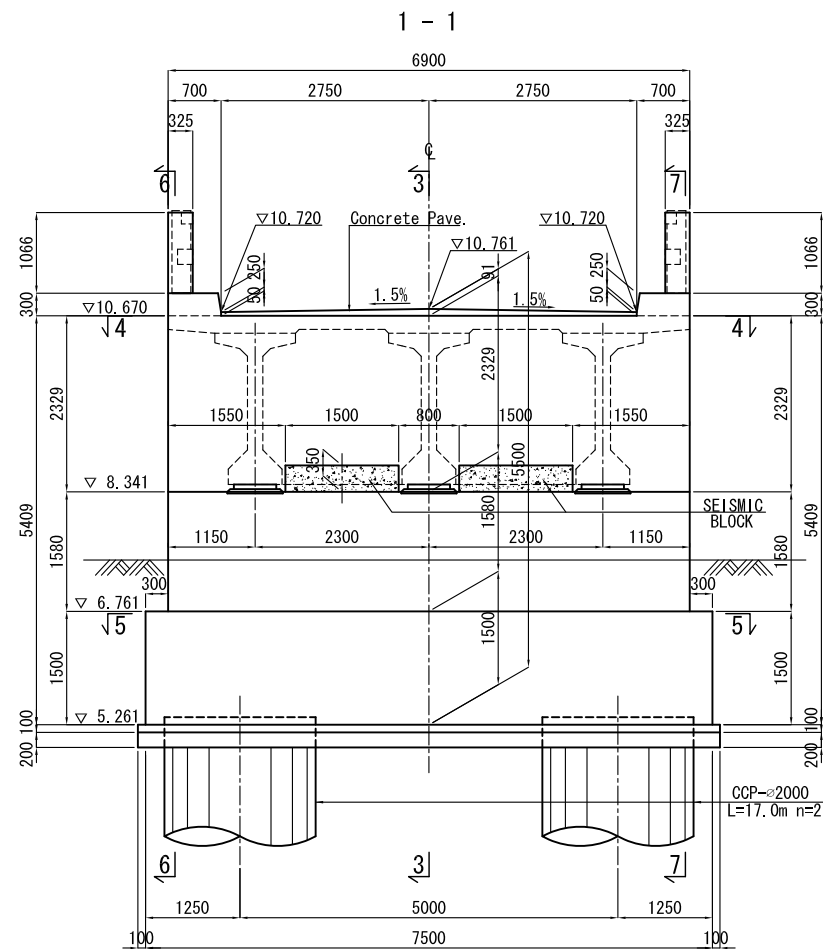
DETAILS SCALE 1:20



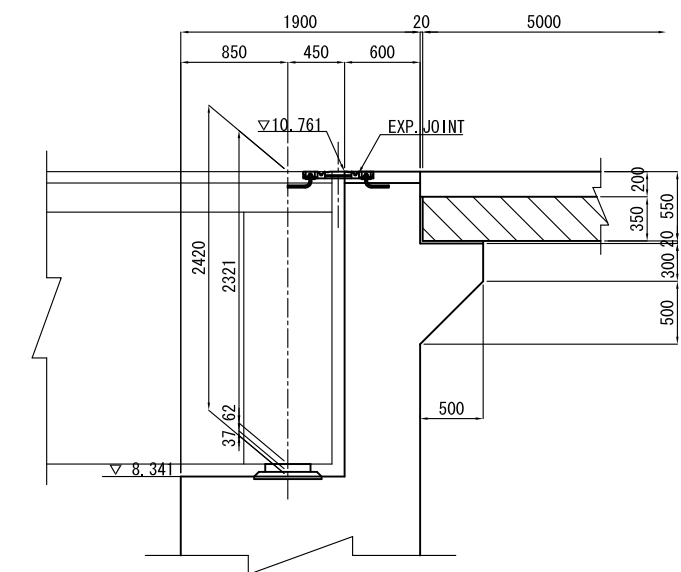
ANCHOR CAP SCALE 1:2 Movable



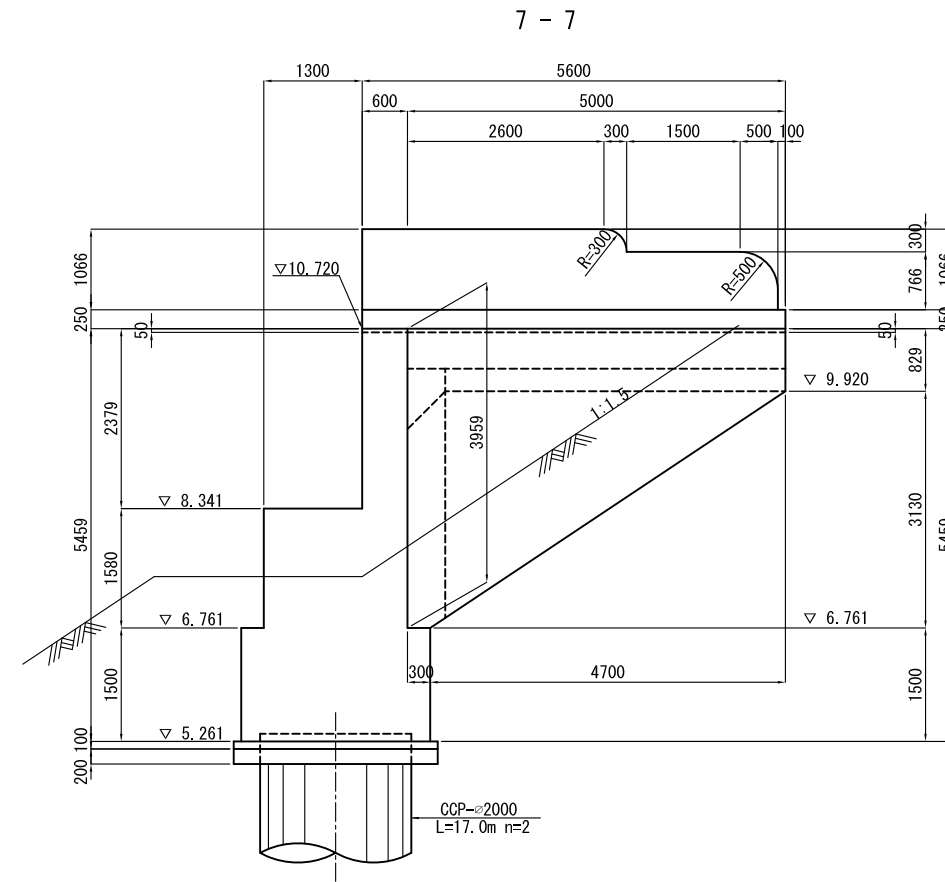
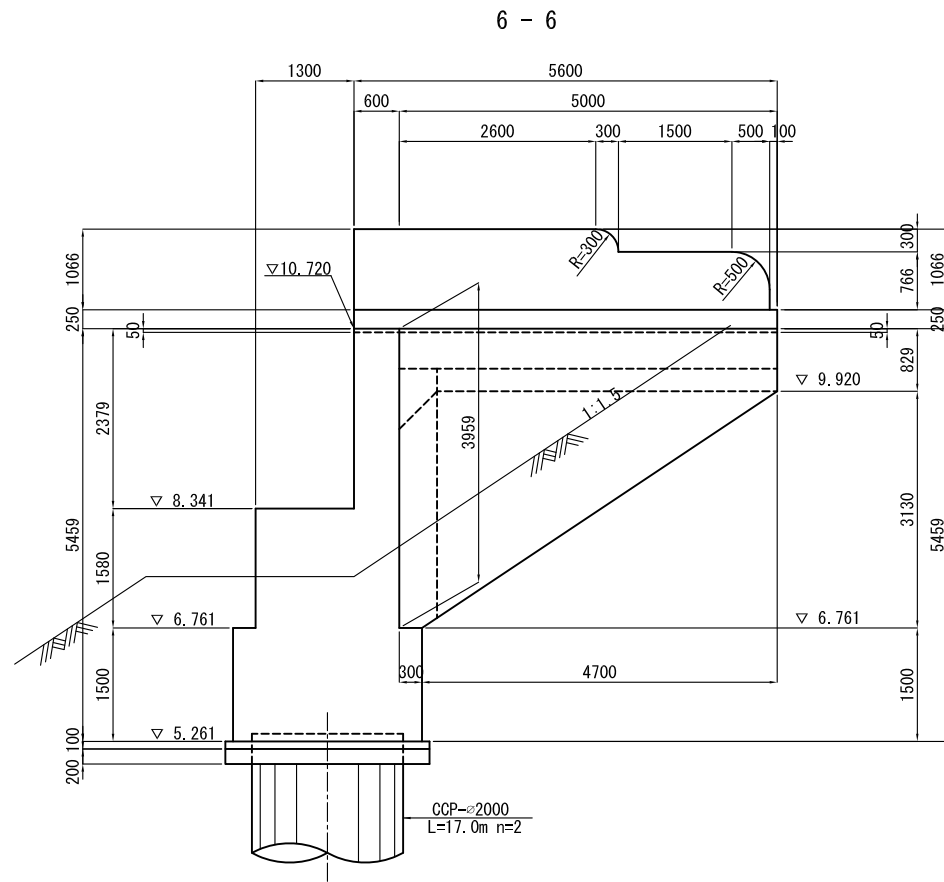
STRUCTURAL DRAWING OF A2 ABUTMENT (1) SCALE 1:50



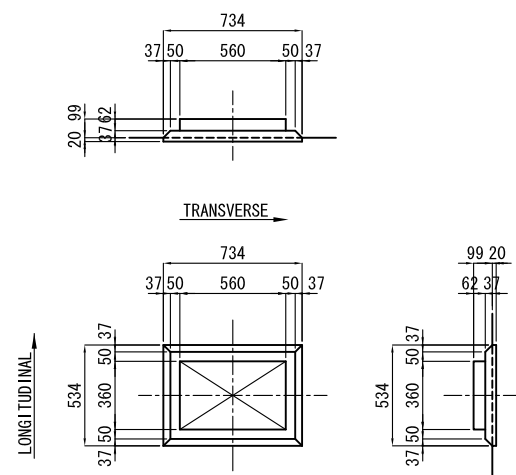
DETAILS SCALE 1:30



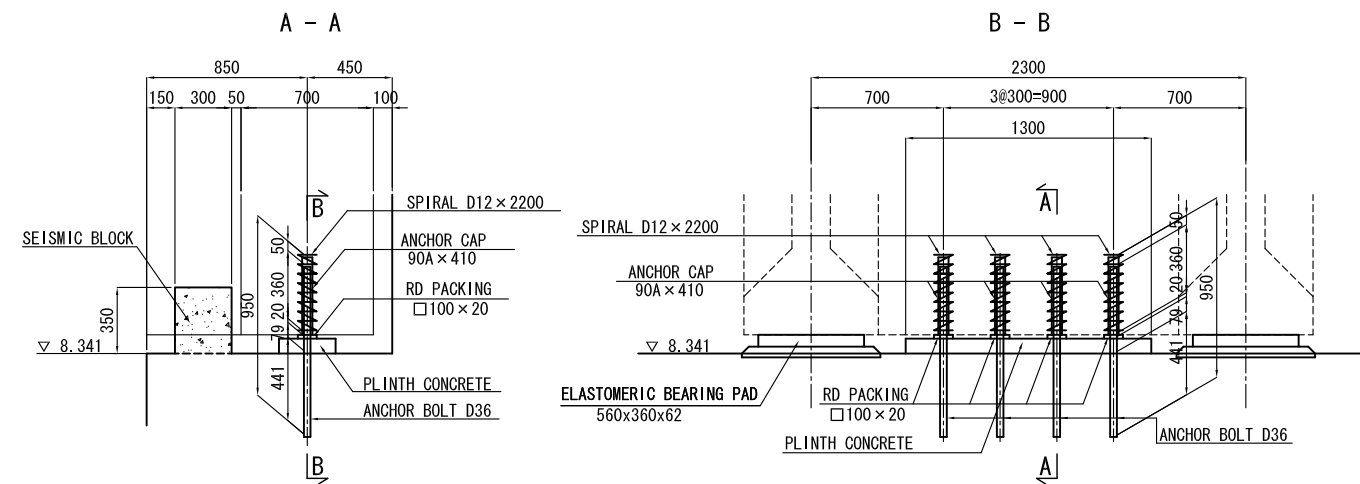
STRUCTURAL DRAWING OF A2 ABUTMENT (2) SCALE 1:50



DETAILS SCALE 1:20

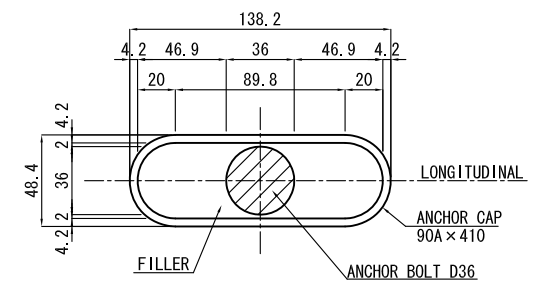


DETAILS SCALE 1:20

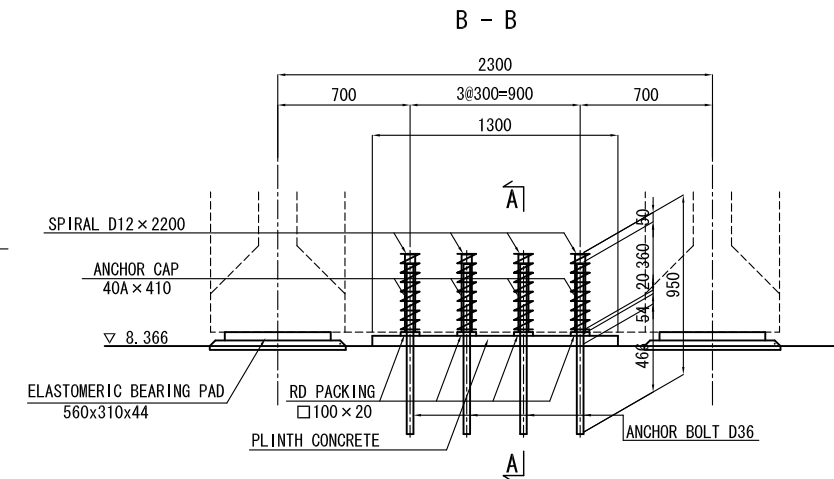
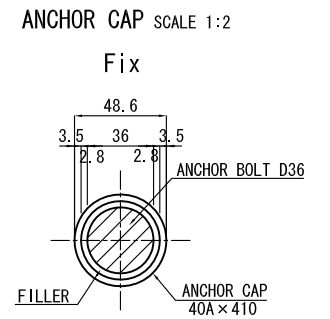
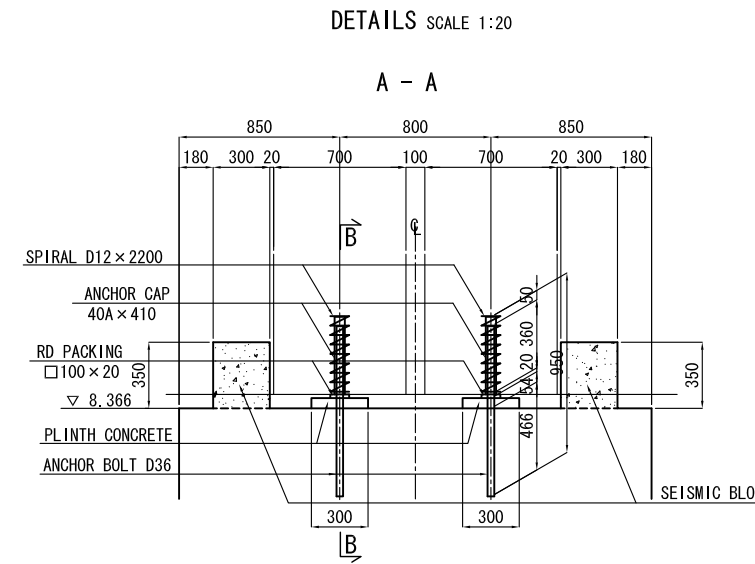
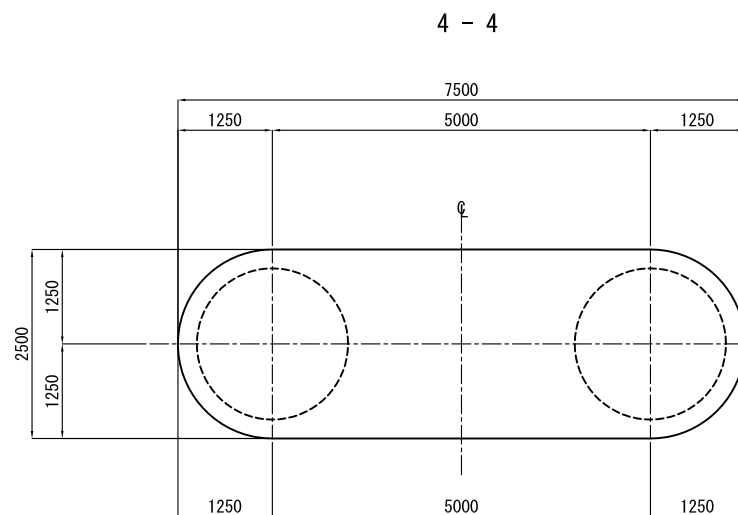
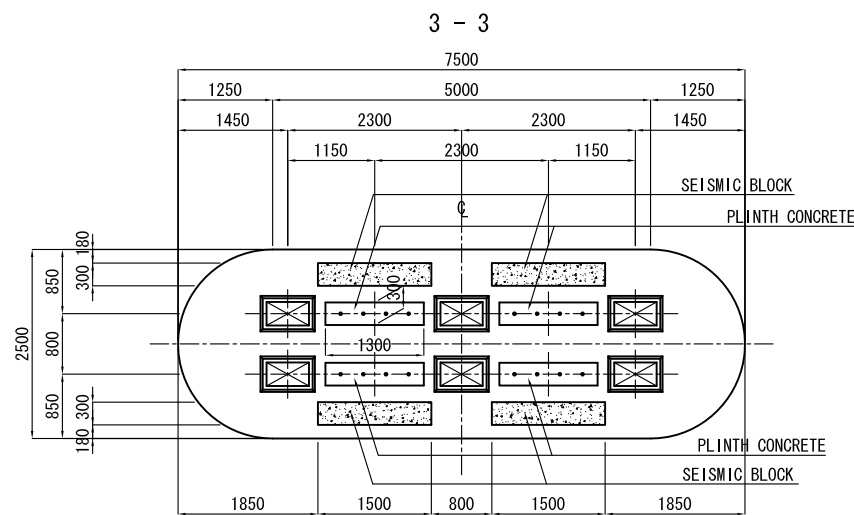
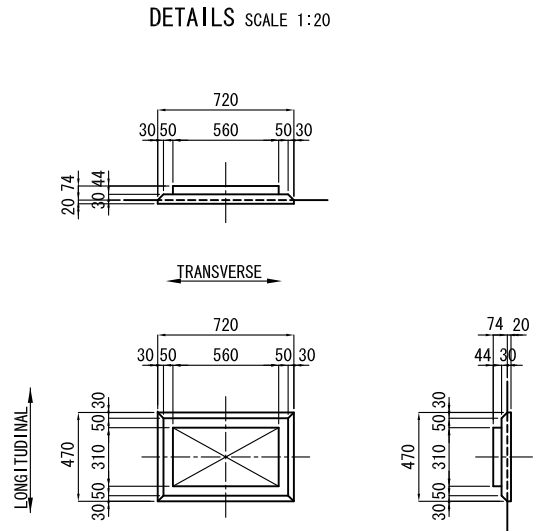
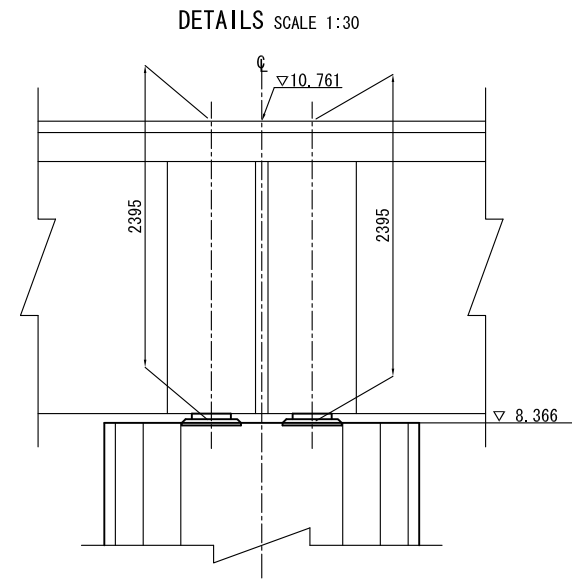
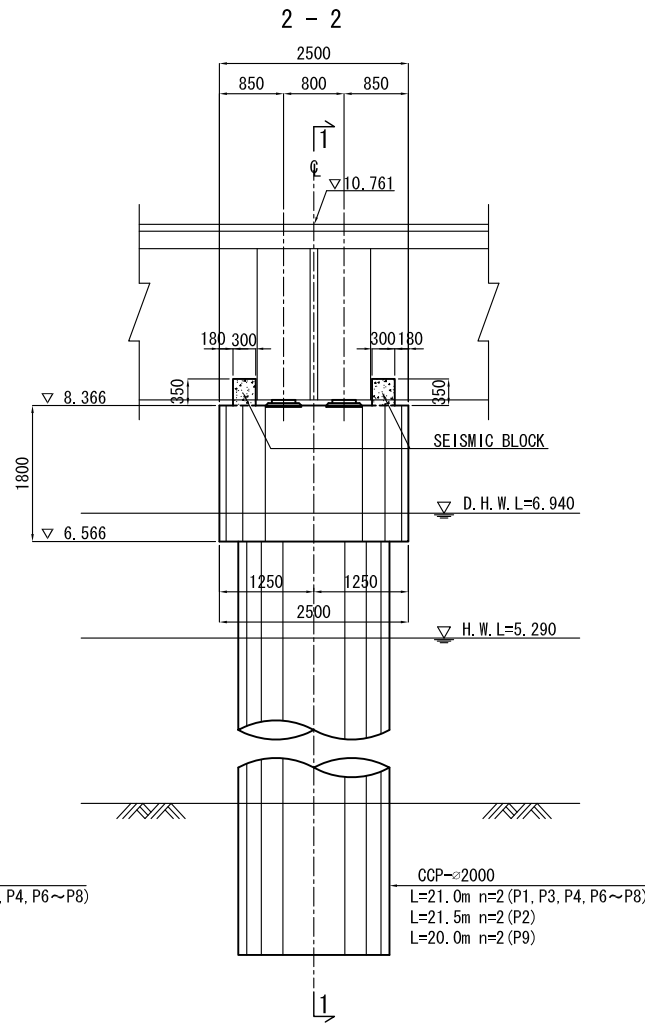
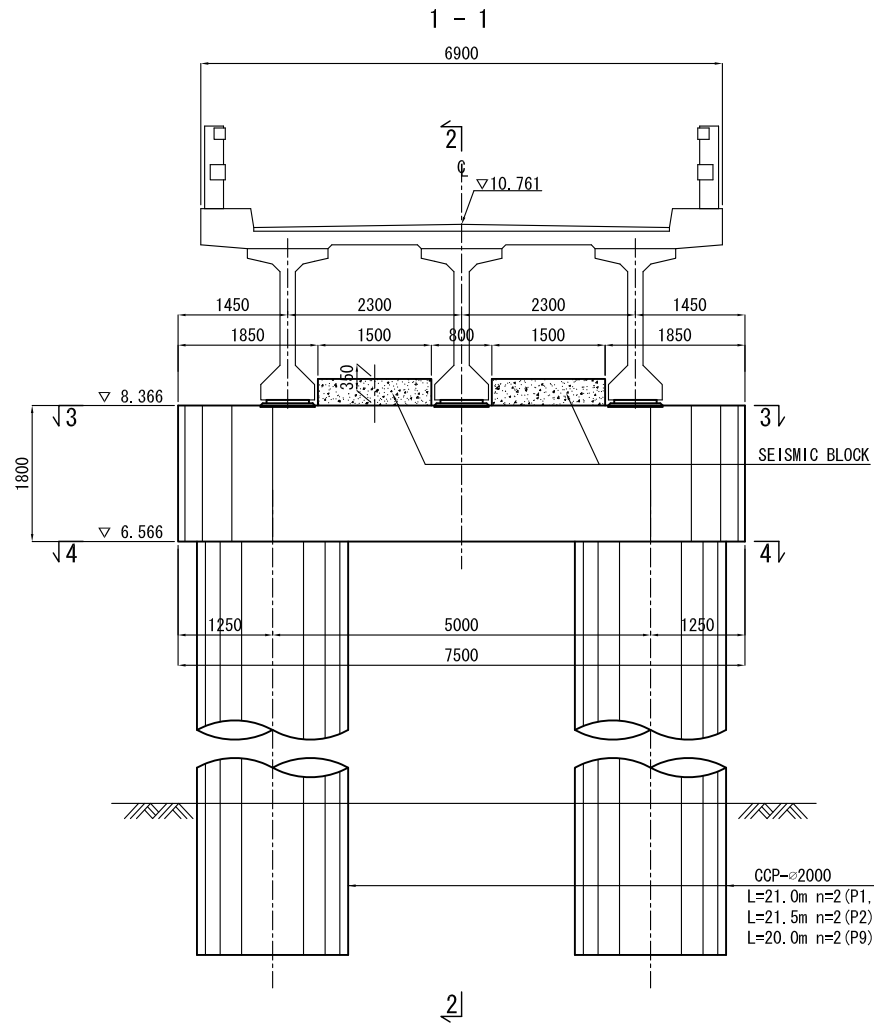


ANCHOR CAP SCALE 1:2

Movable

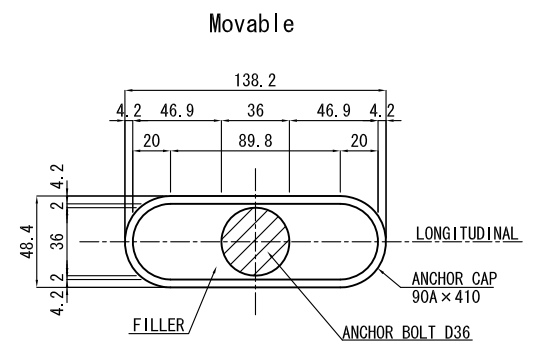
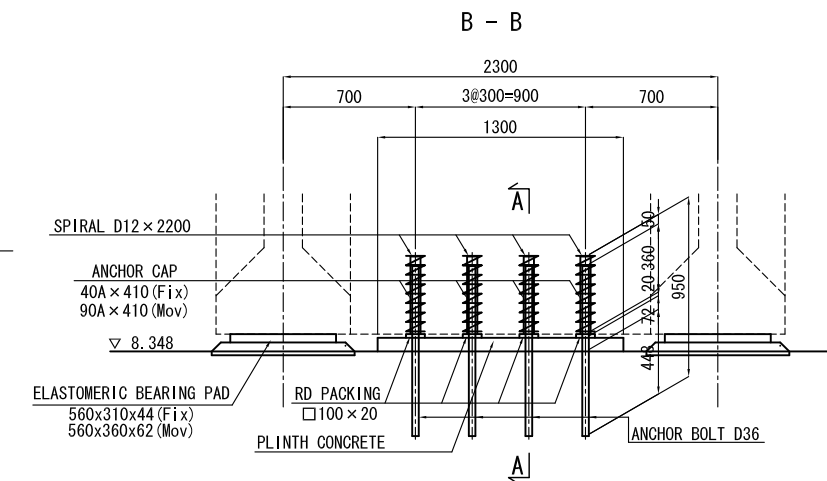
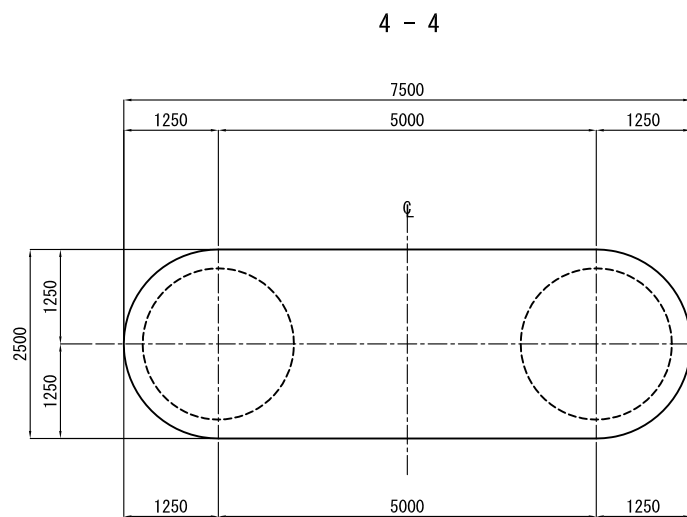
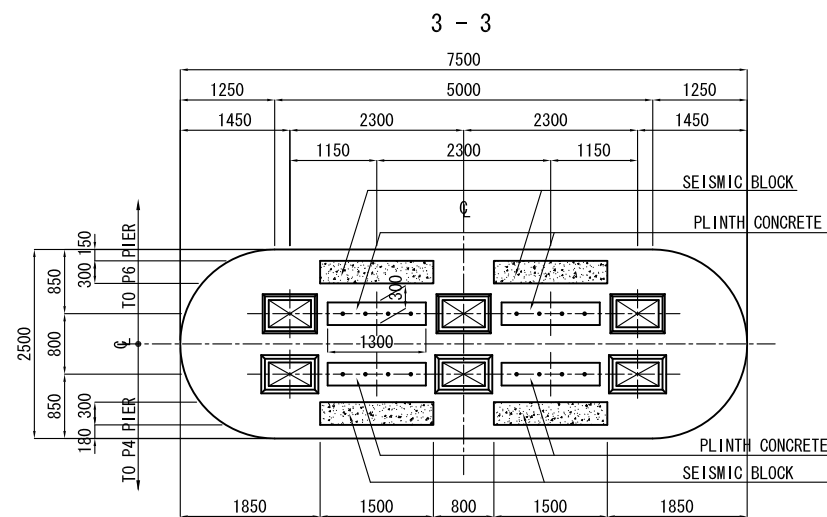
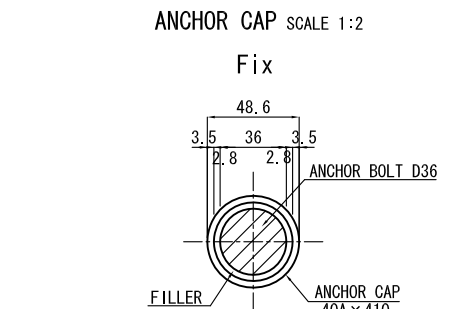
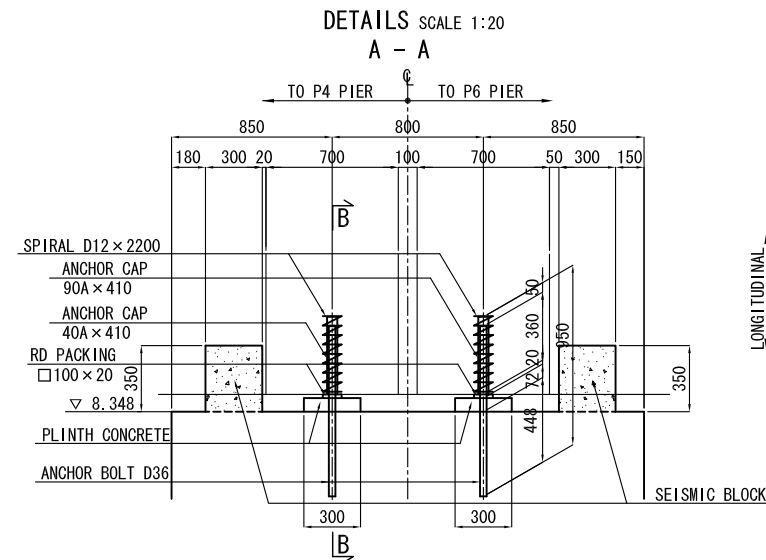
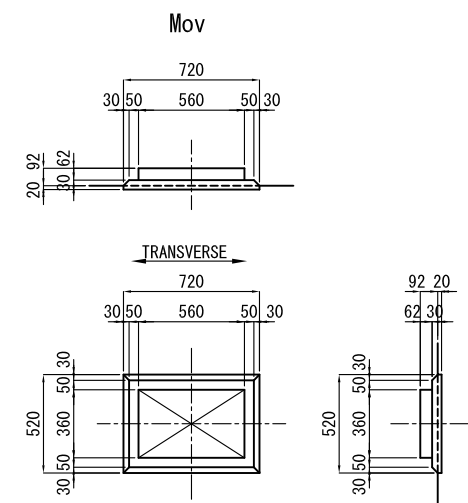
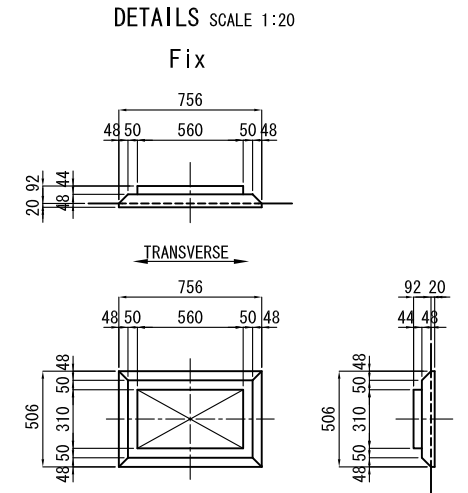
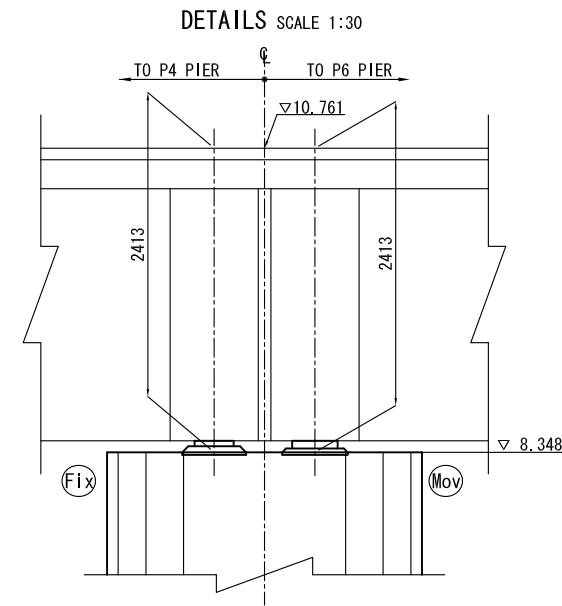
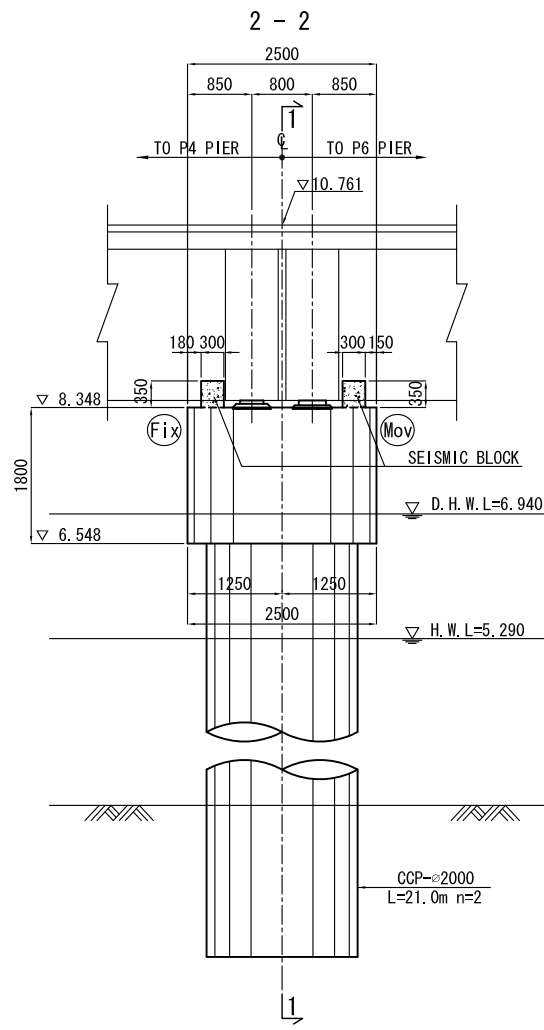
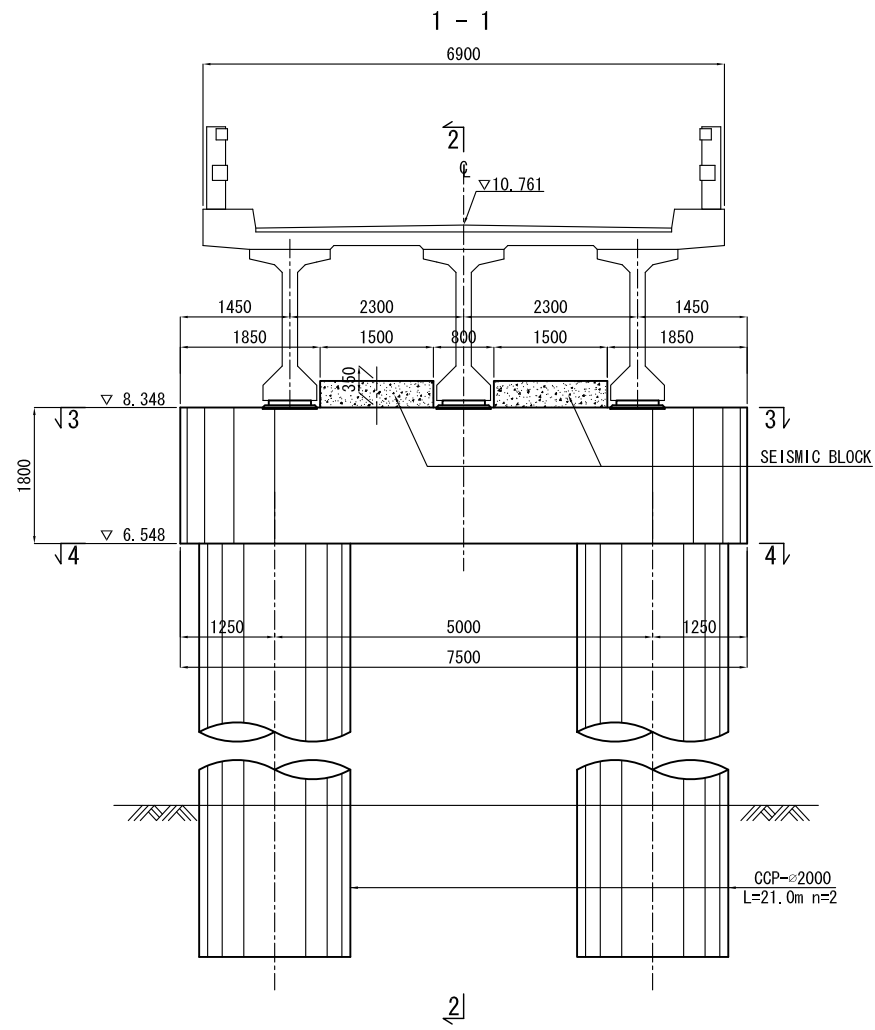


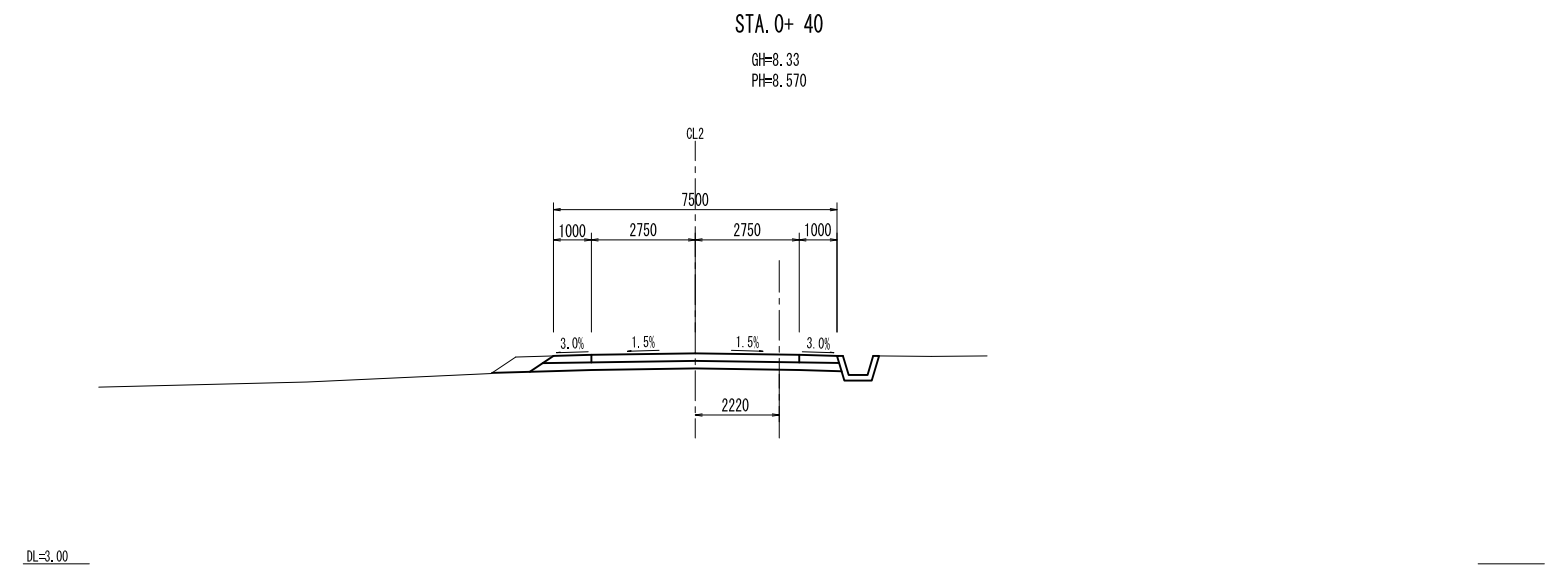
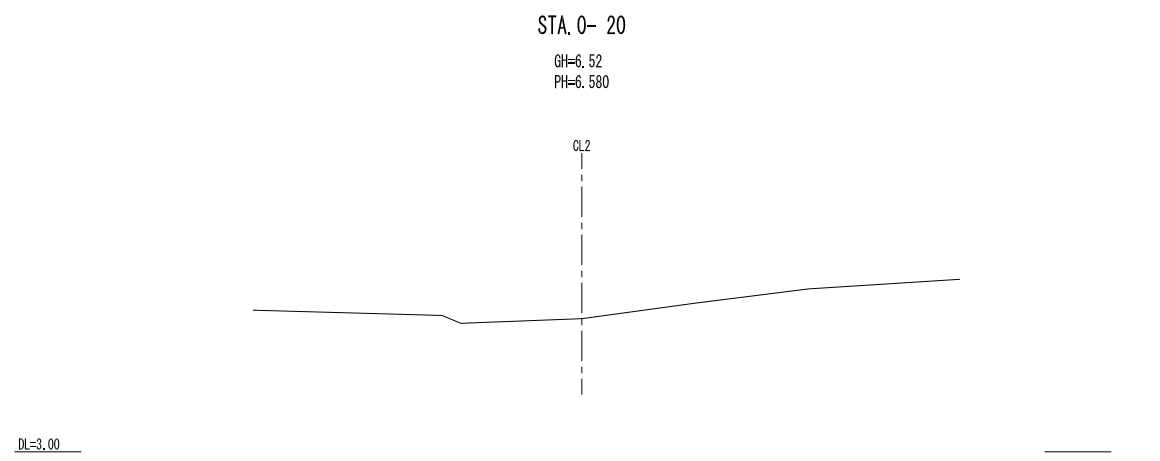
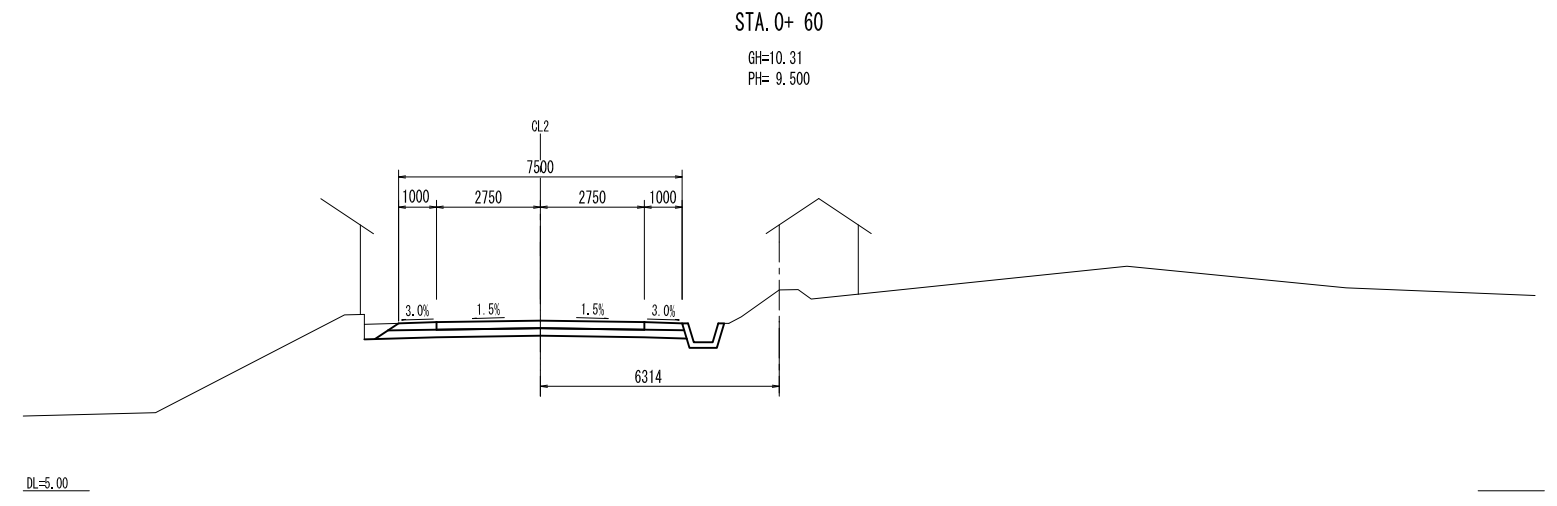
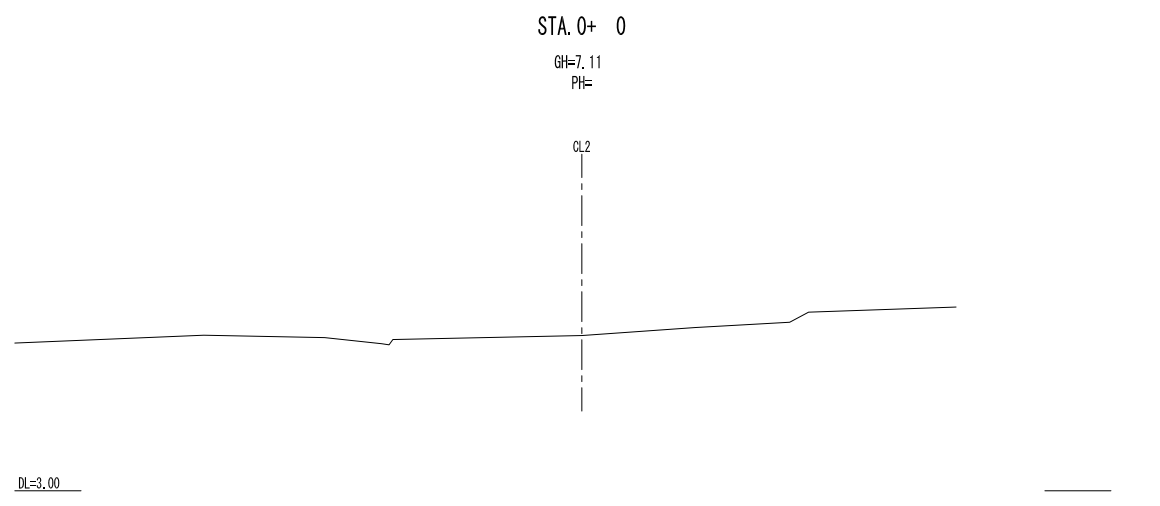
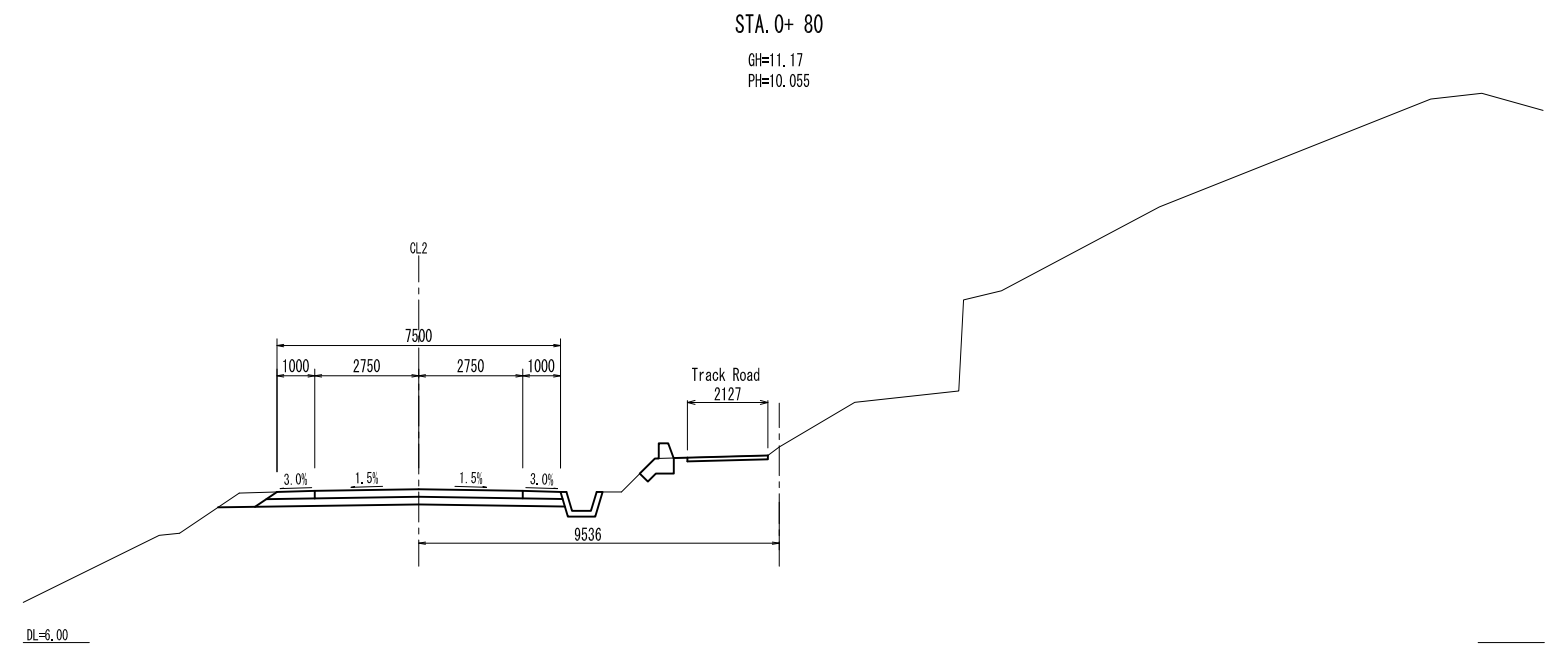
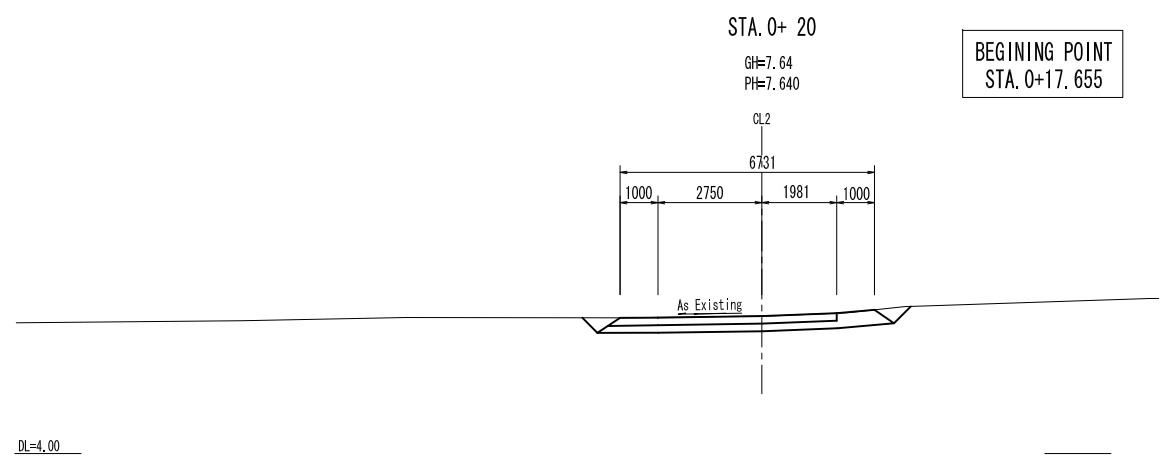
STRUCTURAL DRAWING OF P1~P4, P6~P9 BRIDGE PIER SCALE 1:50



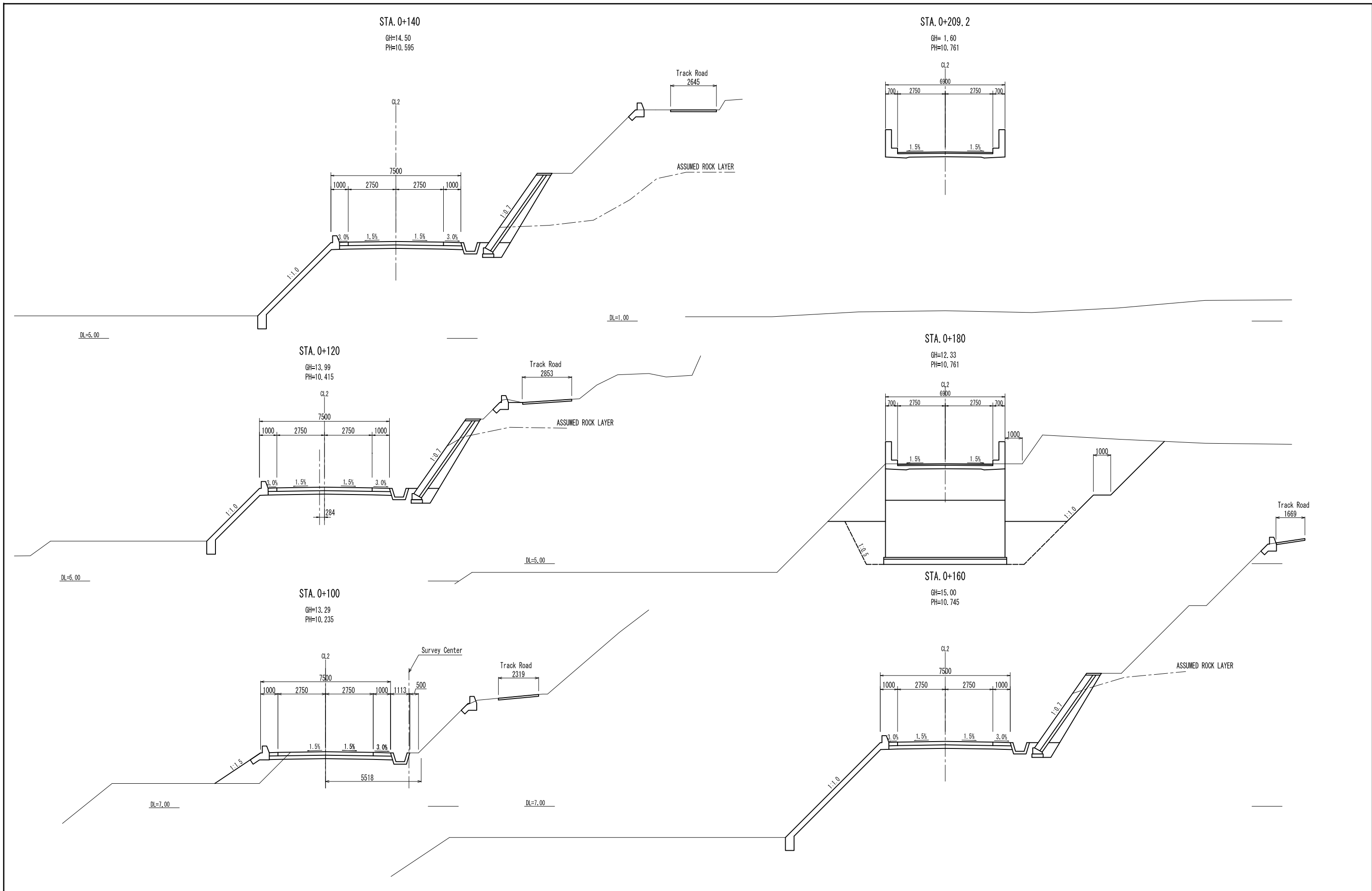
STRUCTURAL DRAWING OF P5 BRIDGE PIER

SCALE 1:50





DEPARTMENT OF AGRARIAN REFORM THE REPUBLIC OF THE PHILIPPINES	BASIC DESIGN STUDY ON THE BRIDGE CONSTRUCTION PROJECT FOR EXPANDED AGRARIAN REFORM COMMUNITIES DEVELOPMENT	JAPAN INTERNATIONAL COOPERATION AGENCY CTI ENGINEERING INTERNATIONAL CO., LTD.	TITLE : UMIRAY BRIDGE ROAD CROSS SECTION (1/6)	SCALE S=1:100	Drawing No. U19
--	---	---	---	------------------	--------------------



DEPARTMENT OF AGRARIAN REFORM THE REPUBLIC OF THE PHILIPPINES	BASIC DESIGN STUDY ON THE BRIDGE CONSTRUCTION PROJECT FOR EXPANDED AGRARIAN REFORM COMMUNITIES DEVELOPMENT	JAPAN INTERNATIONAL COOPERATION AGENCY CTI ENGINEERING INTERNATIONAL CO., LTD.	TITLE : UMIRAY BRIDGE ROAD CROSS SECTION (2/6)	SCALE S=1:100	Drawing No. U20
--	---	---	---	------------------	--------------------