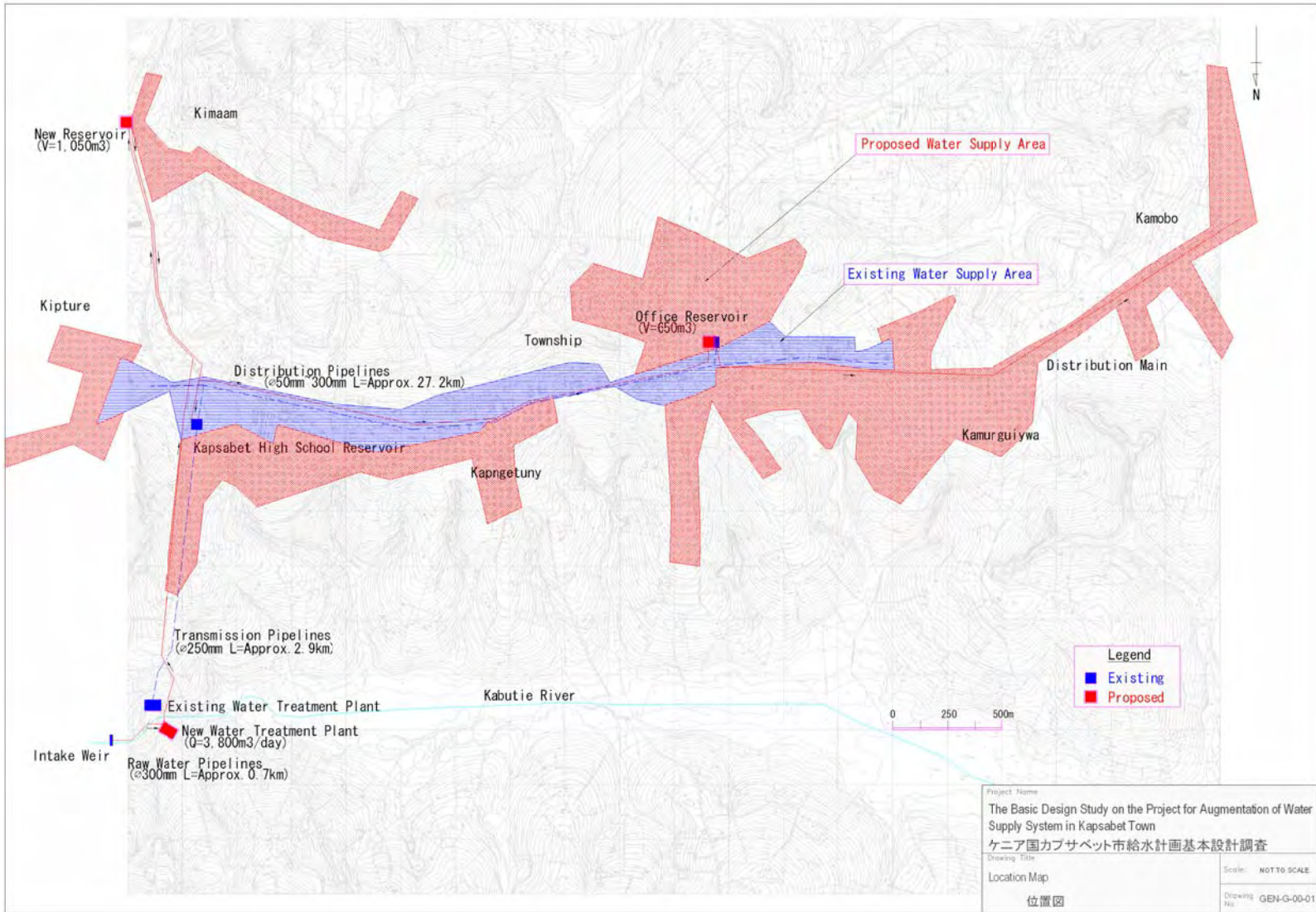


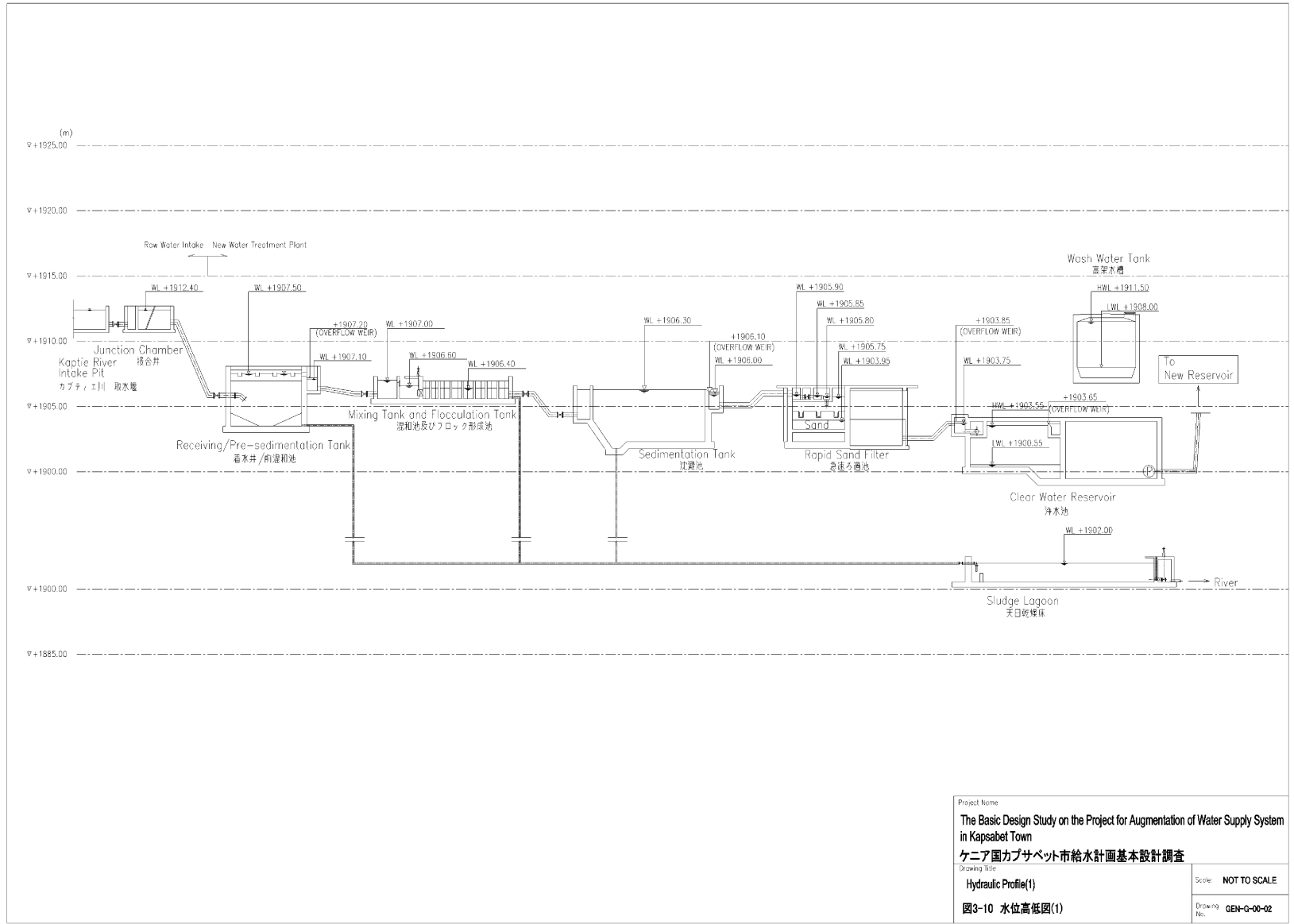
2-2-3 Basic Design Drawings

Table 2-23 Basic Design Drawings

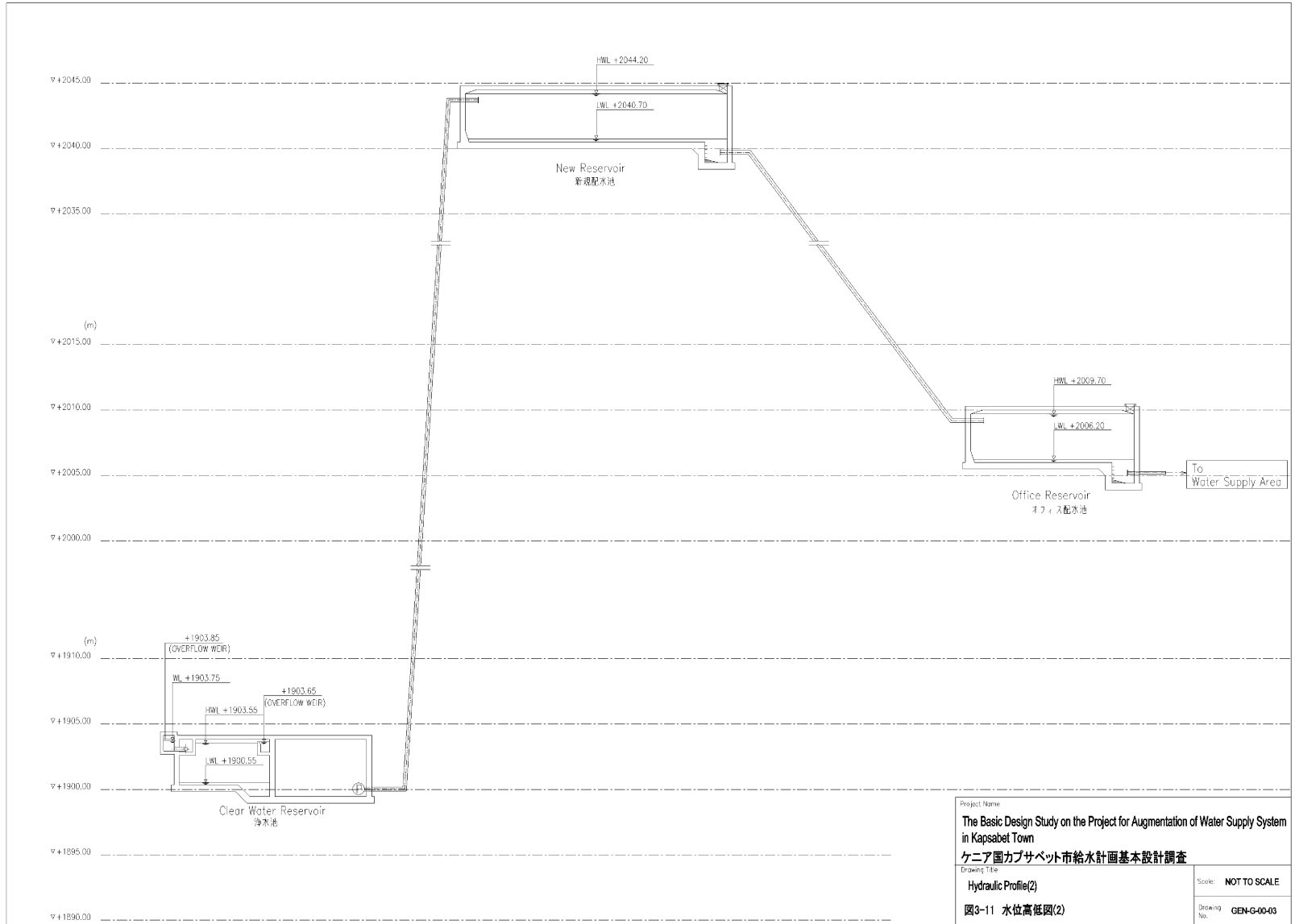
No.	Drawings Name	Note
1)	Location Map	
2)	Hydraulic Profile (1)	
3)	Hydraulic Profile (2)	
4)	Raw Water Intake Intake Weir General Layout	
5)	Raw Water Intake Junction Chamber	
6)	Water Treatment Plant General Layout	
7)	Water Treatment Plant Receiving / Pre-sedimentation Tank	
8)	Water Treatment Plant Mixing Tank and Flocculation Tank	
9)	Water Treatment Plant Sedimentation Tank	
10)	Water Treatment Plant Rapid Sand Filter Plans	
11)	Water Treatment Plant Rapid Sand Filter sections(1)	
12)	Water Treatment Plant Rapid Sand Filter sections(2)	
13)	Water Treatment Plant Clear Water Reservoir Plans	
14)	Water Treatment Plant Clear Water Reservoir Sections	
15)	Water Treatment Plant Clear Water Reservoir Sections and	
16)	Water Treatment Plant Wash Water Tank	
17)	Water Treatment Plant Sludge Lagoon	
18)	Water Treatment Plant Administration House Plans and Sections	
19)	Water Treatment Plant Chemical House Plans and Sections	
20)	Water Treatment Plant Flow Diagram	
21)	Water Treatment Plant Pump House Mechanical and Electrical(1)	
22)	Water Treatment Plant Pump House Mechanical and Electrical(2)	
23)	Water Treatment Plant Pump House Mechanical and Electrical(3)	
24)	Water Treatment Plant Single Line Diagram	
25)	Water Treatment Plant LV Distribution Panel and Local Control Panel	
26)	New Reservoir General Layout	
27)	New Reservoir Plans and Sections	
28)	New Reservoir Sections	
29)	Office Reservoir General Layout	
30)	Office Reservoir Plans and Sections	
31)	Office Reservoir Sections	
32)	Kapsabet High School Reservoir General Layout	
33)	Pipelines General Layout(1)	
34)	Pipelines General Layout(2)	
35)	Pipelines Raw Water Pipe Bridge for River Crossing	
36)	Pipelines Transmission Water Pipe Bridge for River Crossing	

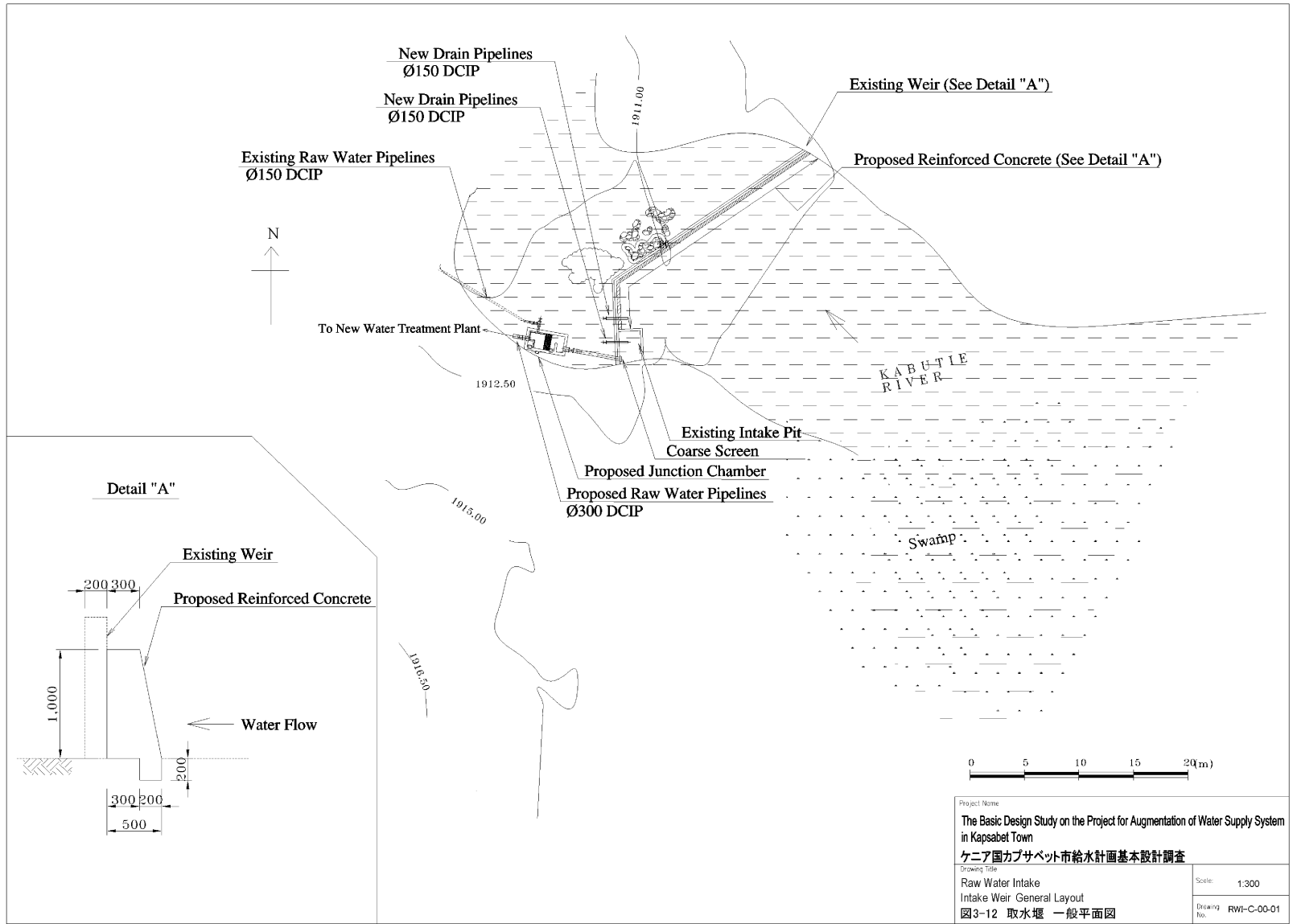
Figure 2-11 Basic Design Drawings

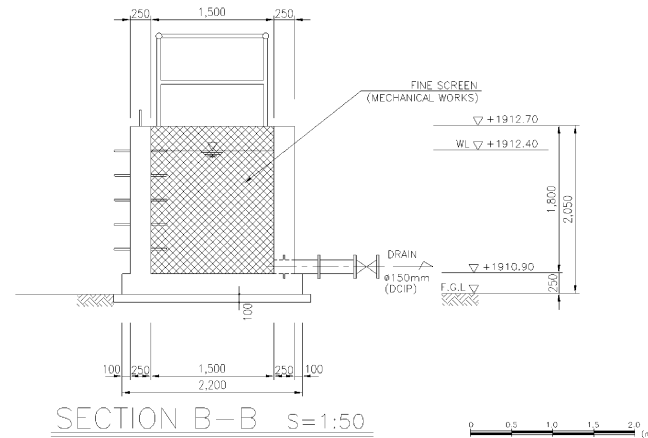
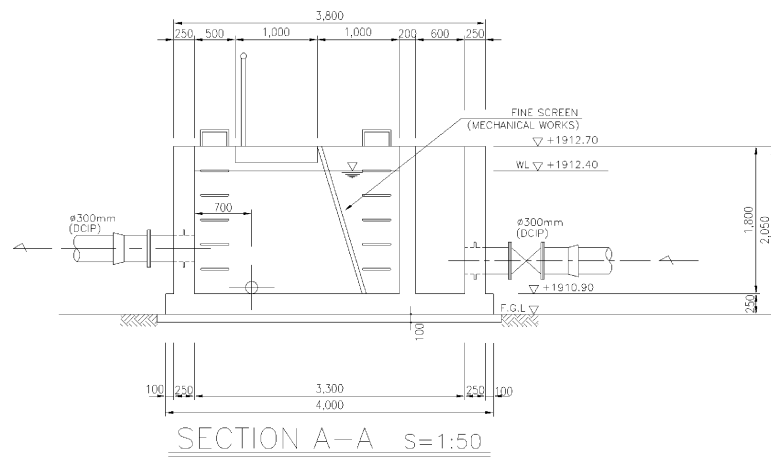
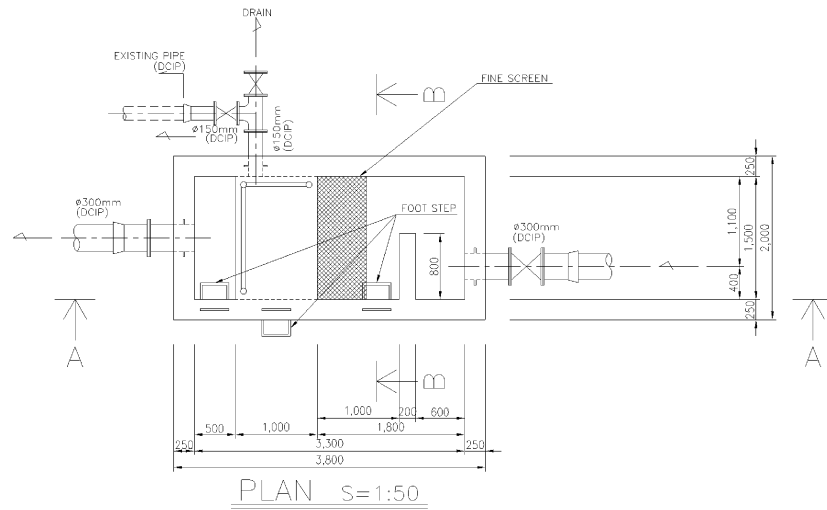




Project Name	
The Basic Design Study on the Project for Augmentation of Water Supply System in Kapsabet Town	
ケニア国カプサベット市給水計画基本設計調査	
Drawing Title	
Hydraulic Profile(1)	
図3-10 水位高低図(1)	
Scale:	NOT TO SCALE
Drawing No.:	GEN-G-00-02

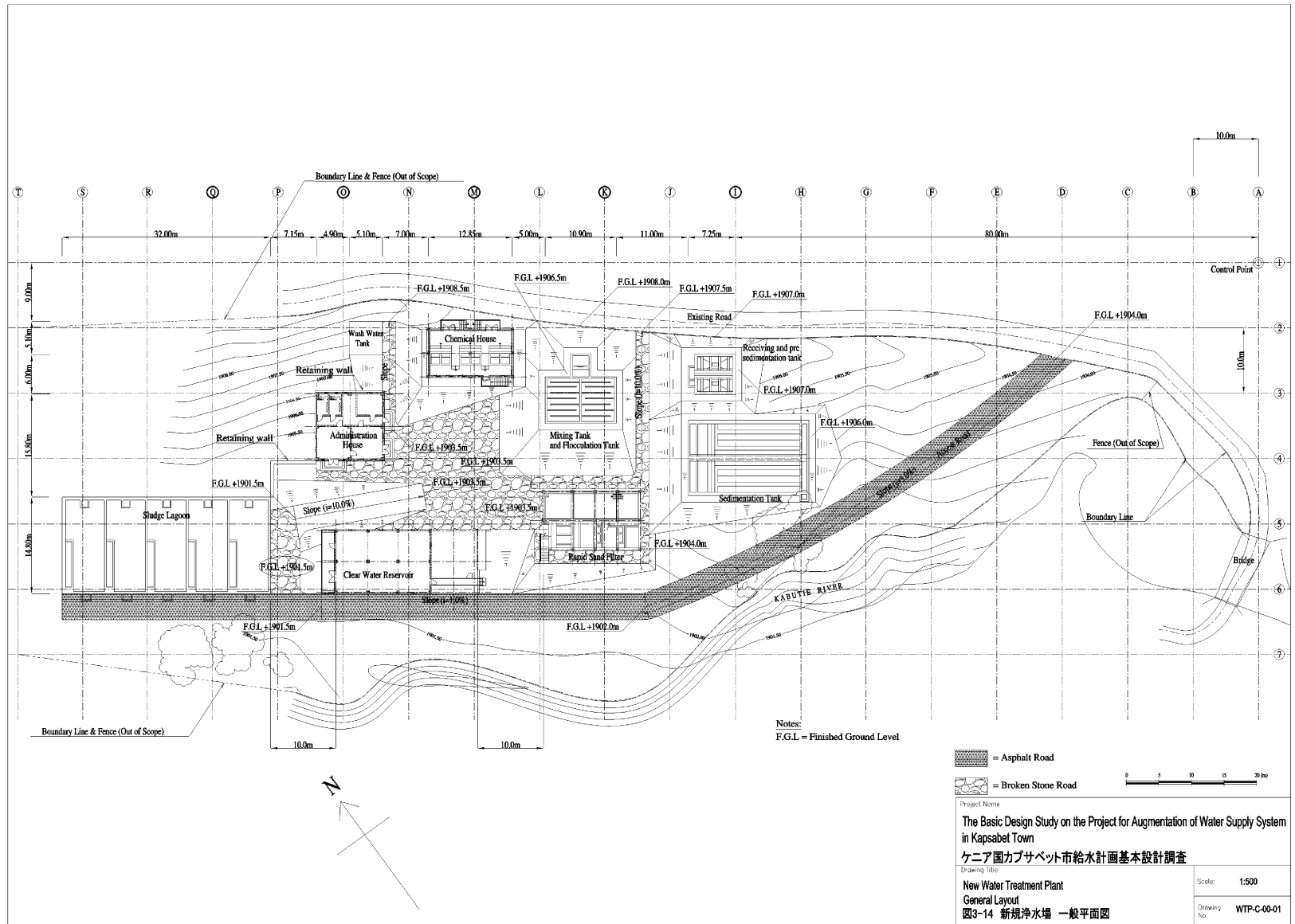


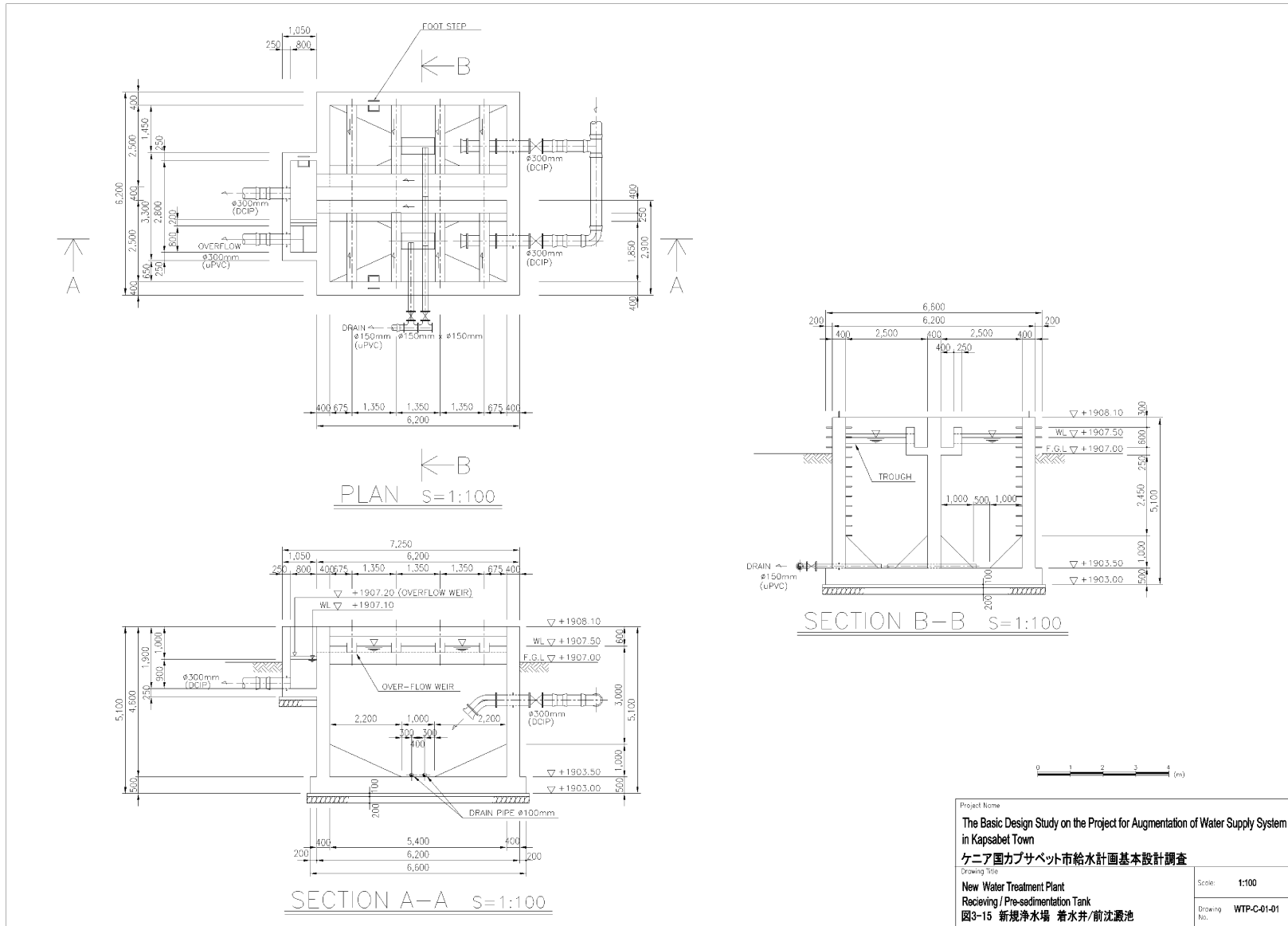




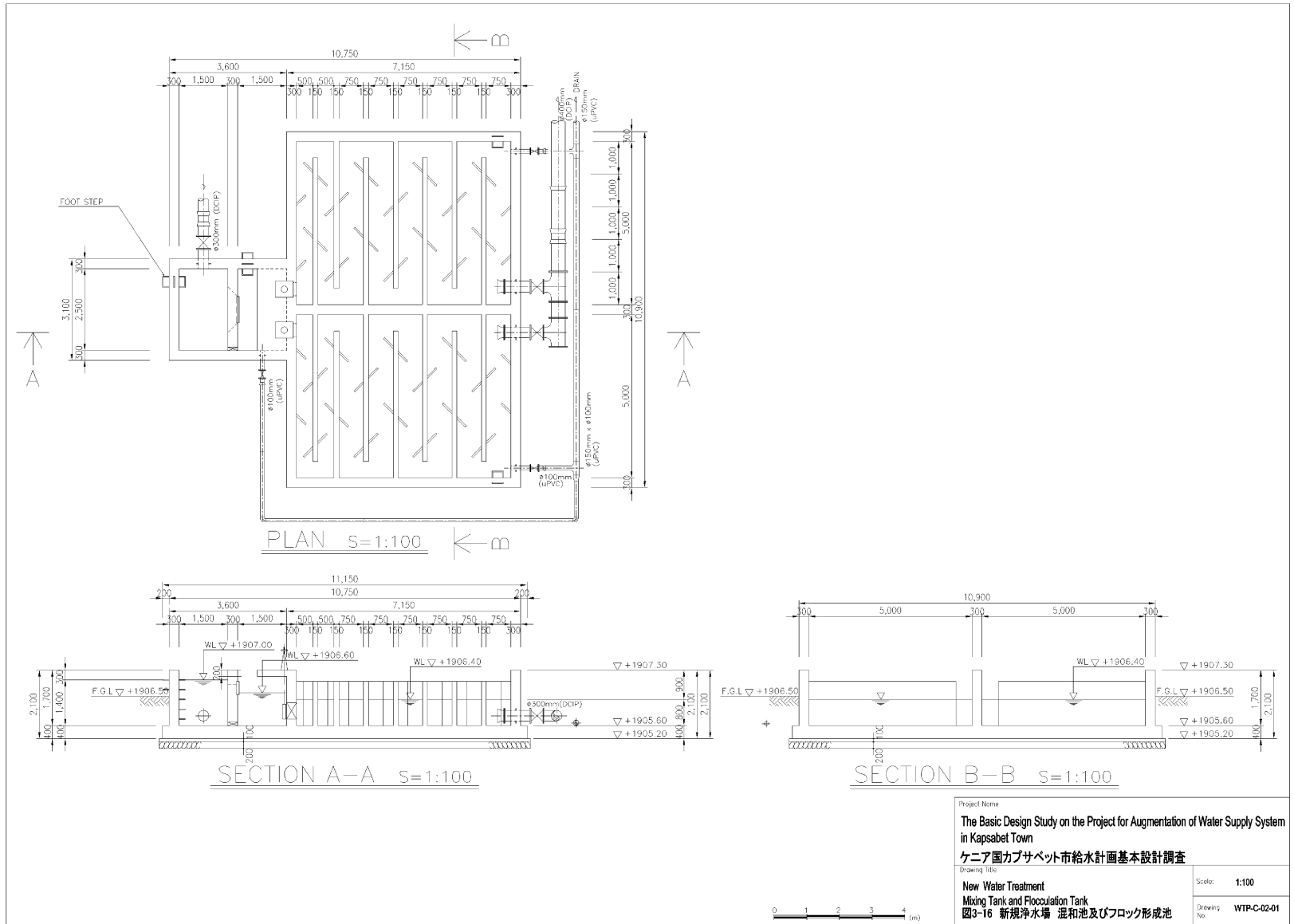
Notes:  
1. Final Ground Level shall be fitted to site condition.

Project Name		The Basic Design Study on the Project for Augmentation of Water Supply System in Kapsabet Town	
Drawing Title		ケニア国カプサベット市給水計画基本設計調査	
Raw Water Intake Junction Chamber		Scale:	1:50
図0-13 取水施設 接合井		Drawing No.:	RW-C-01-01

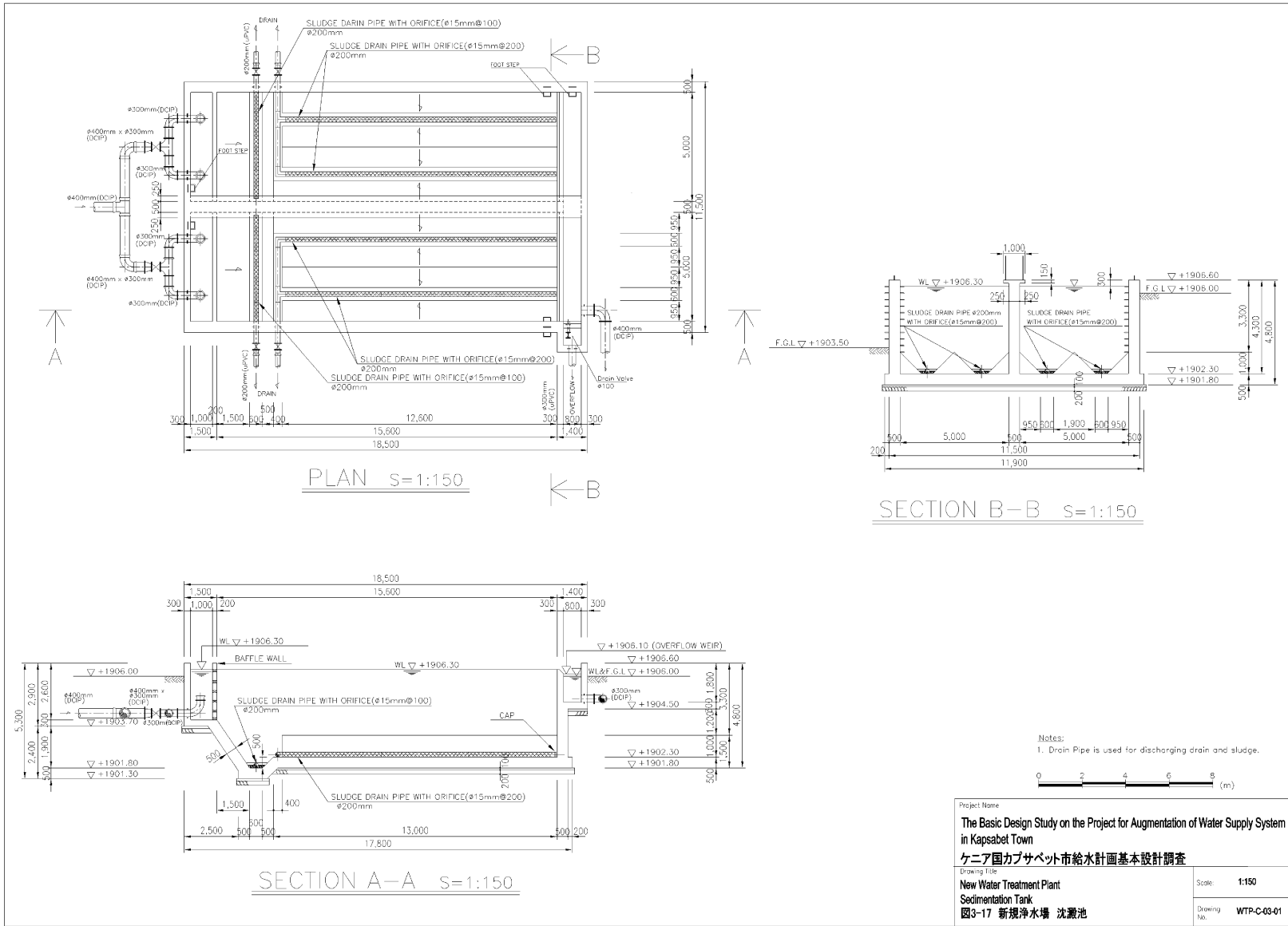


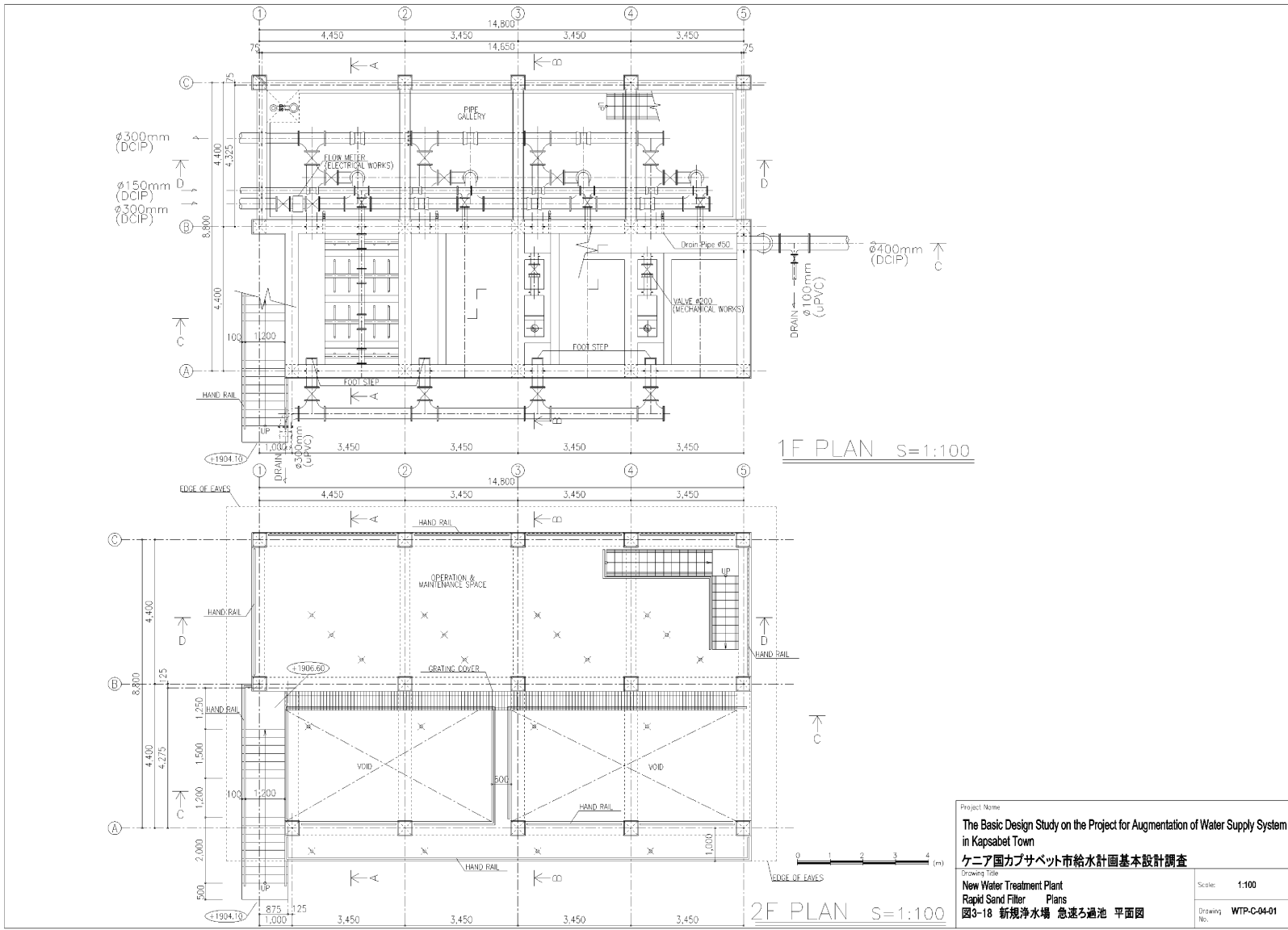




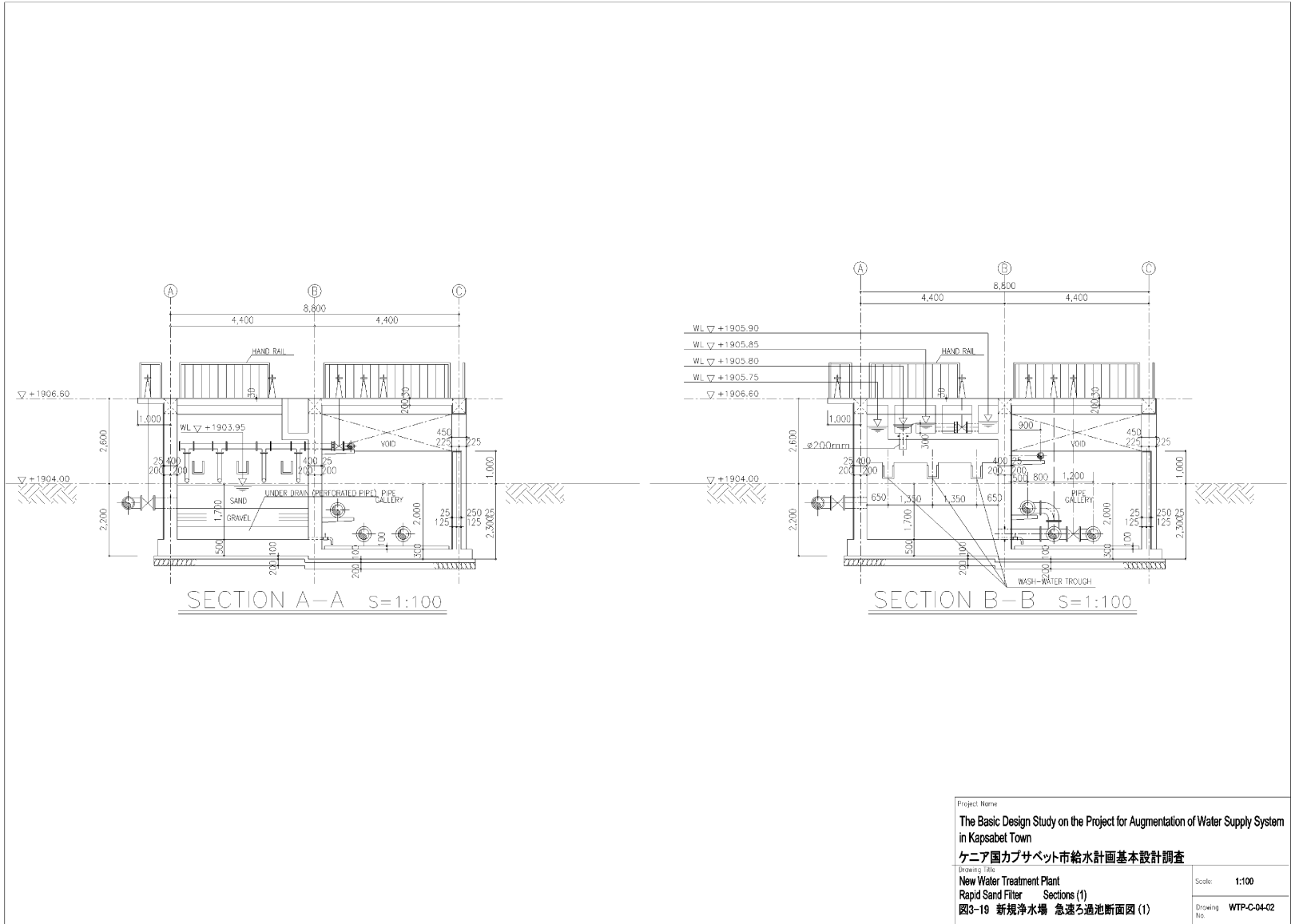


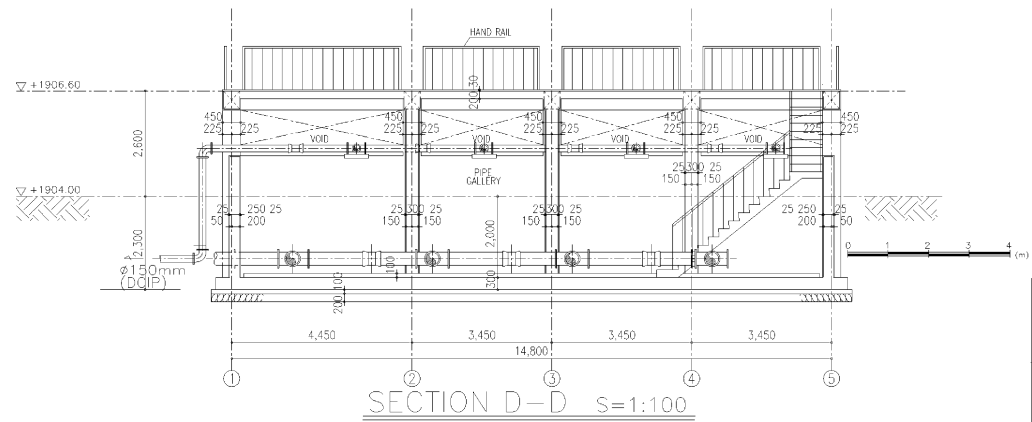
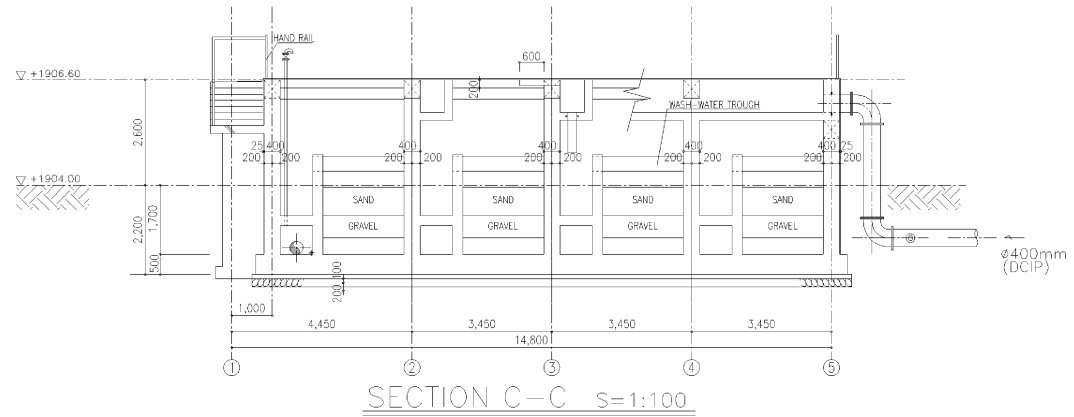
Project Name	
The Basic Design Study on the Project for Augmentation of Water Supply System in Kapsabet Town	
ケニア国カプサベット市給水計画基本設計調査	
Drawing Title	
New Water Treatment	
Mixing Tank and Flocculation Tank	
図3-16 新規浄水場 混和池及びフロック形成池	
Scale:	1:100
Drawing No:	WTP-C-02-01



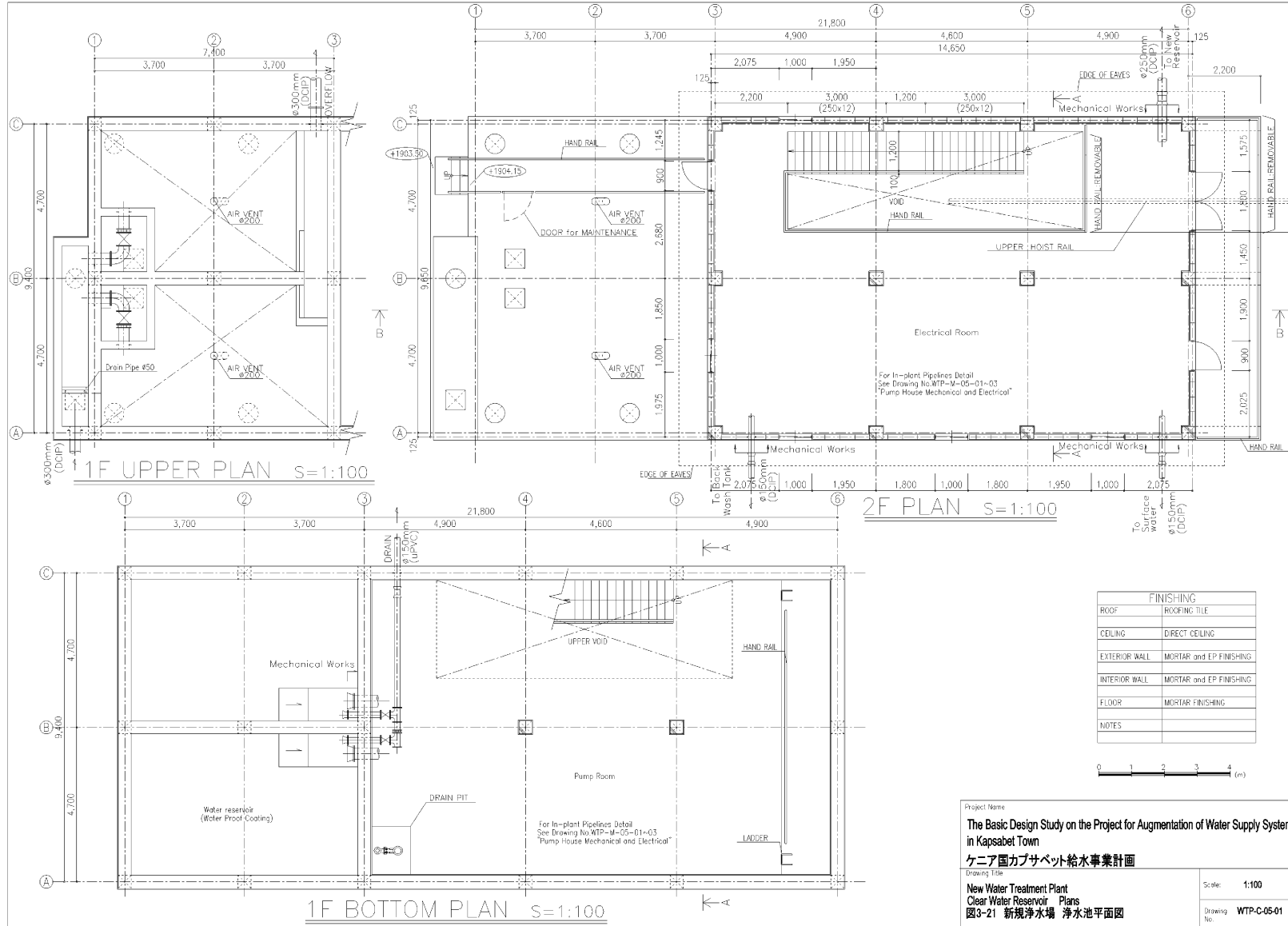


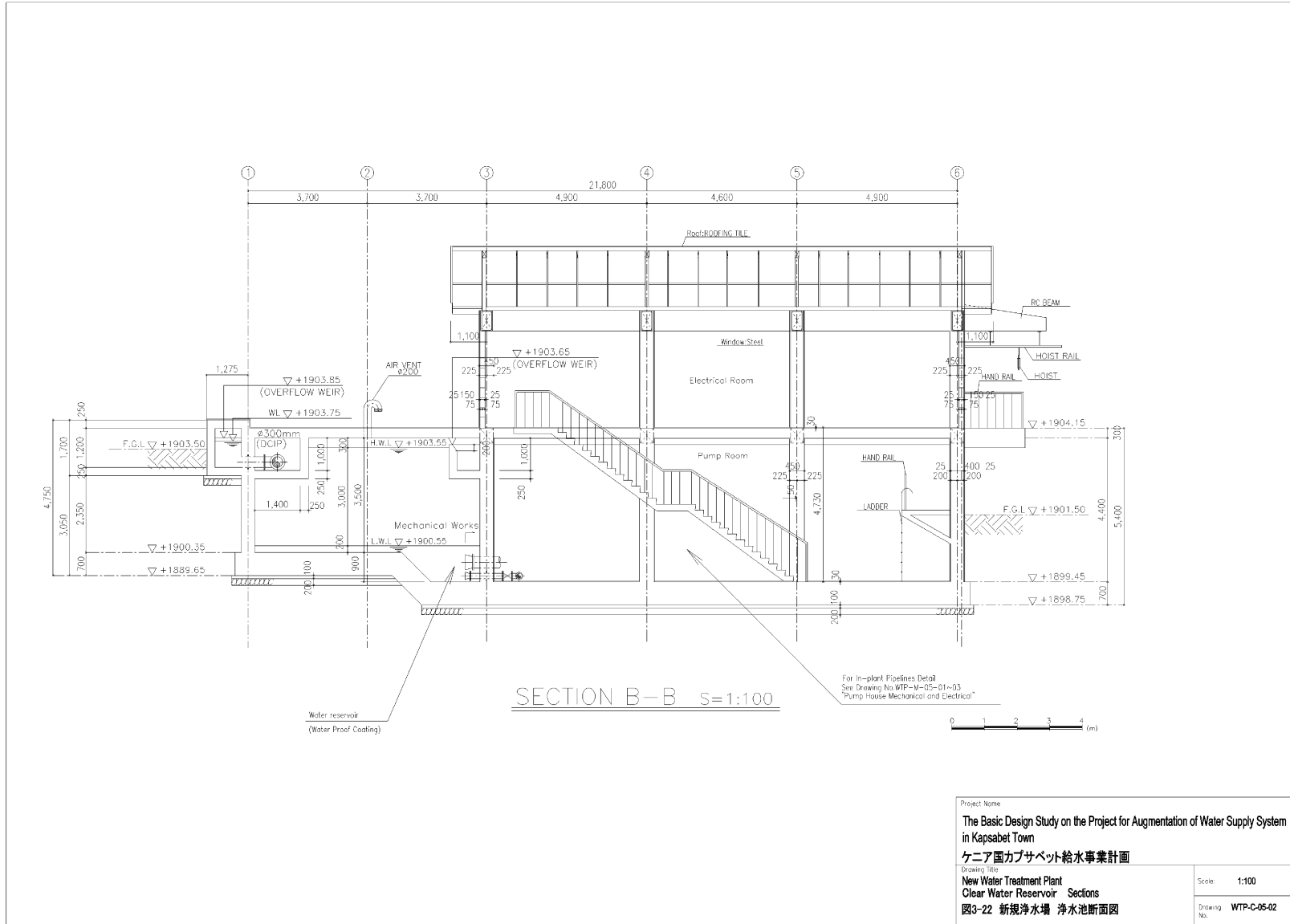
Project Name		The Basic Design Study on the Project for Augmentation of Water Supply System in Kapsabet Town	
Drawing Title		ケニア国カプサベット市給水計画基本設計調査	
Project Location		New Water Treatment Plant	
Drawing No.		Rapid Sand Filter Plans	
Drawing No.		図3-18 新規浄水場 急速ろ過池 平面図	
Scale:	1:100		
Drawing No.:	WTP-C-04-01		

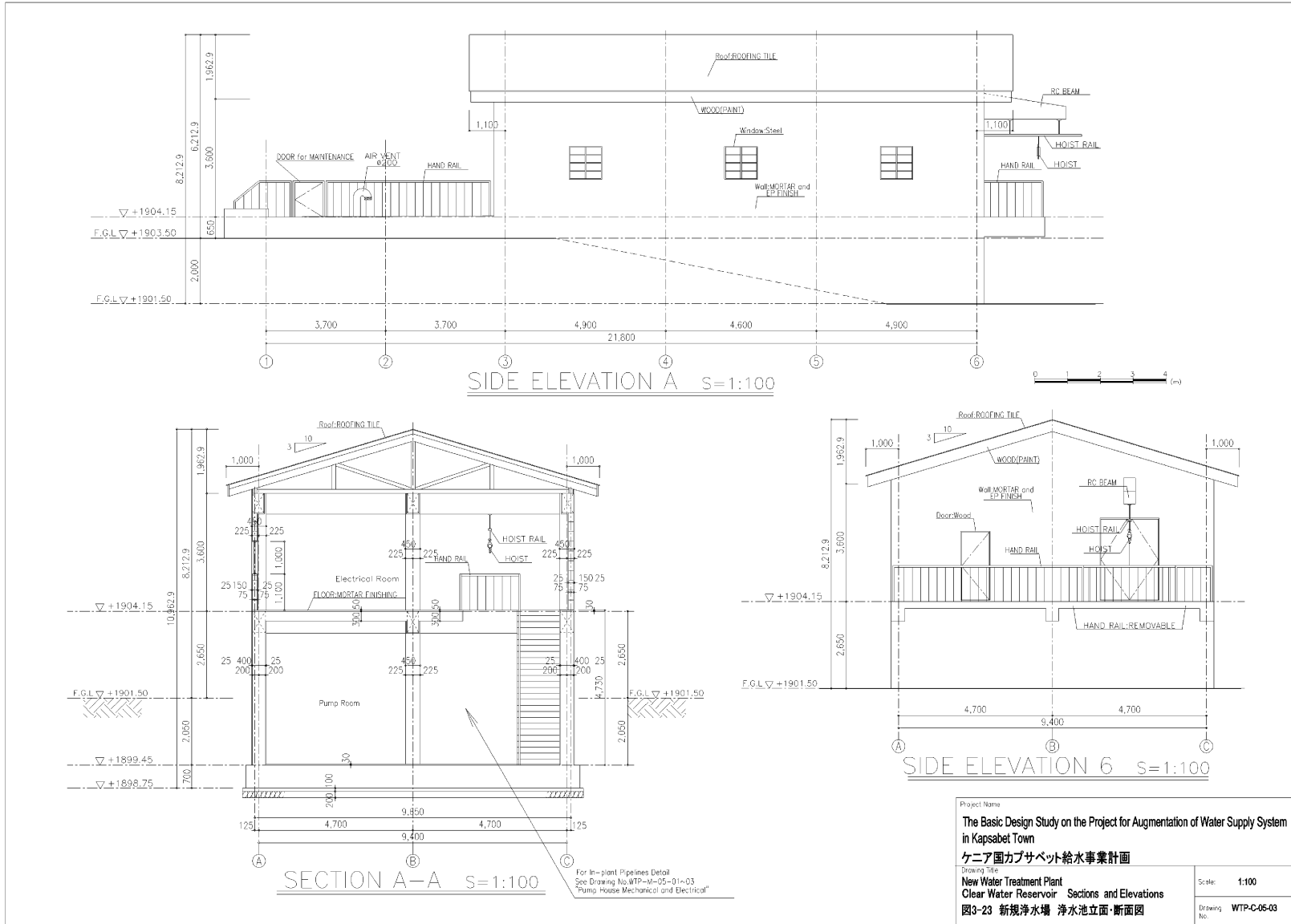




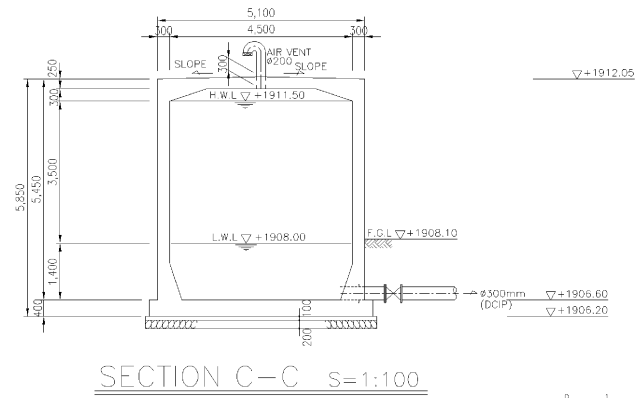
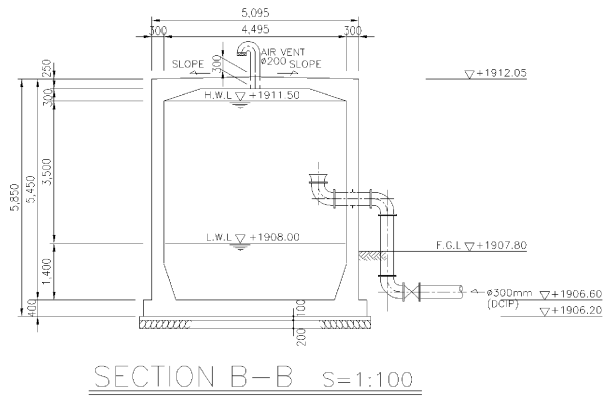
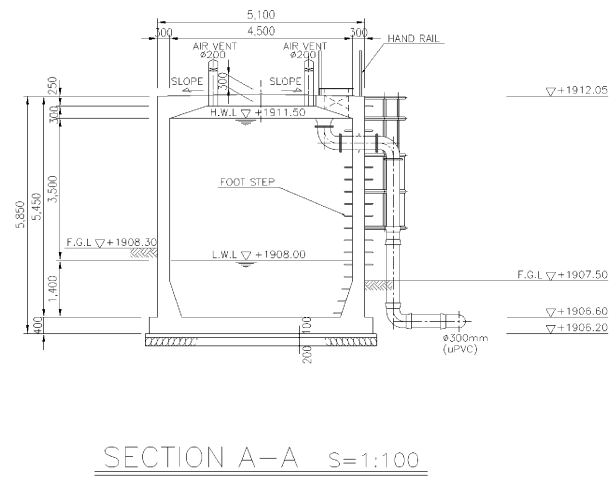
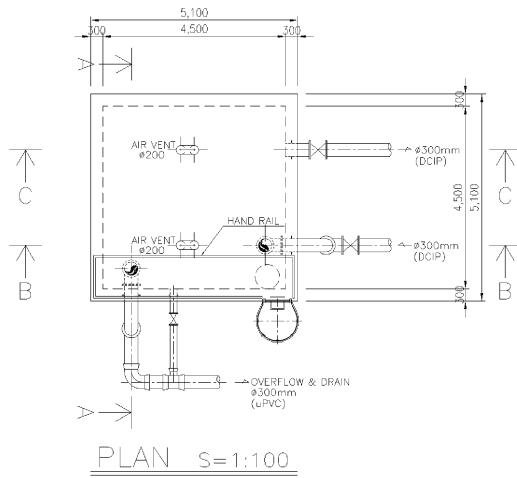
Project Name		The Basic Design Study on the Project for Augmentation of Water Supply System in Kapsabet Town	
Drawing Title		ケニア国カプサベット市給水計画基本設計調査 New Water Treatment Plant Rapid Sand Filter Sections (2)	
Scale:	1:100	Drawing No.:	WTP-C-04-03
図3-20 新規浄水場 急速ろ過池断面図 (2)			



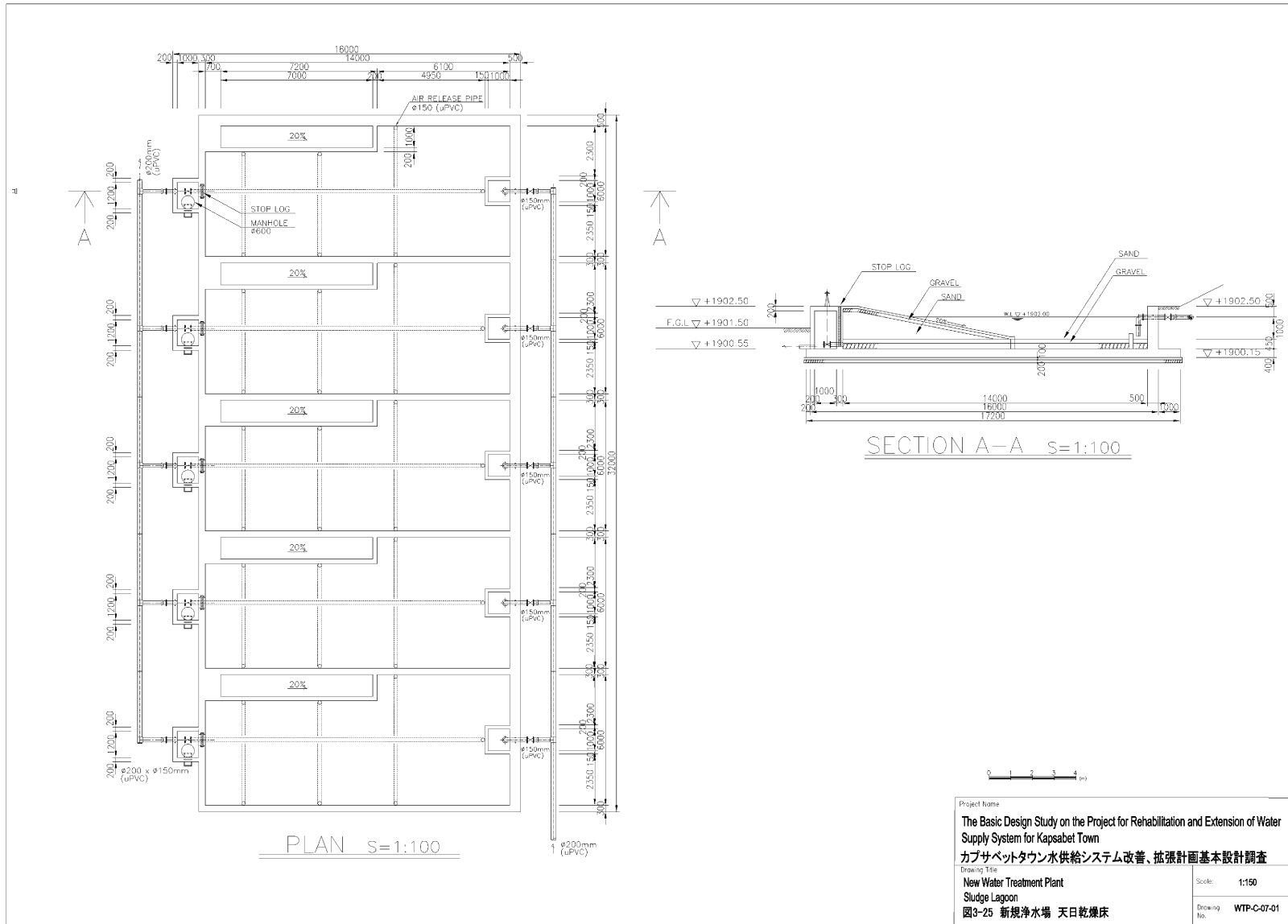


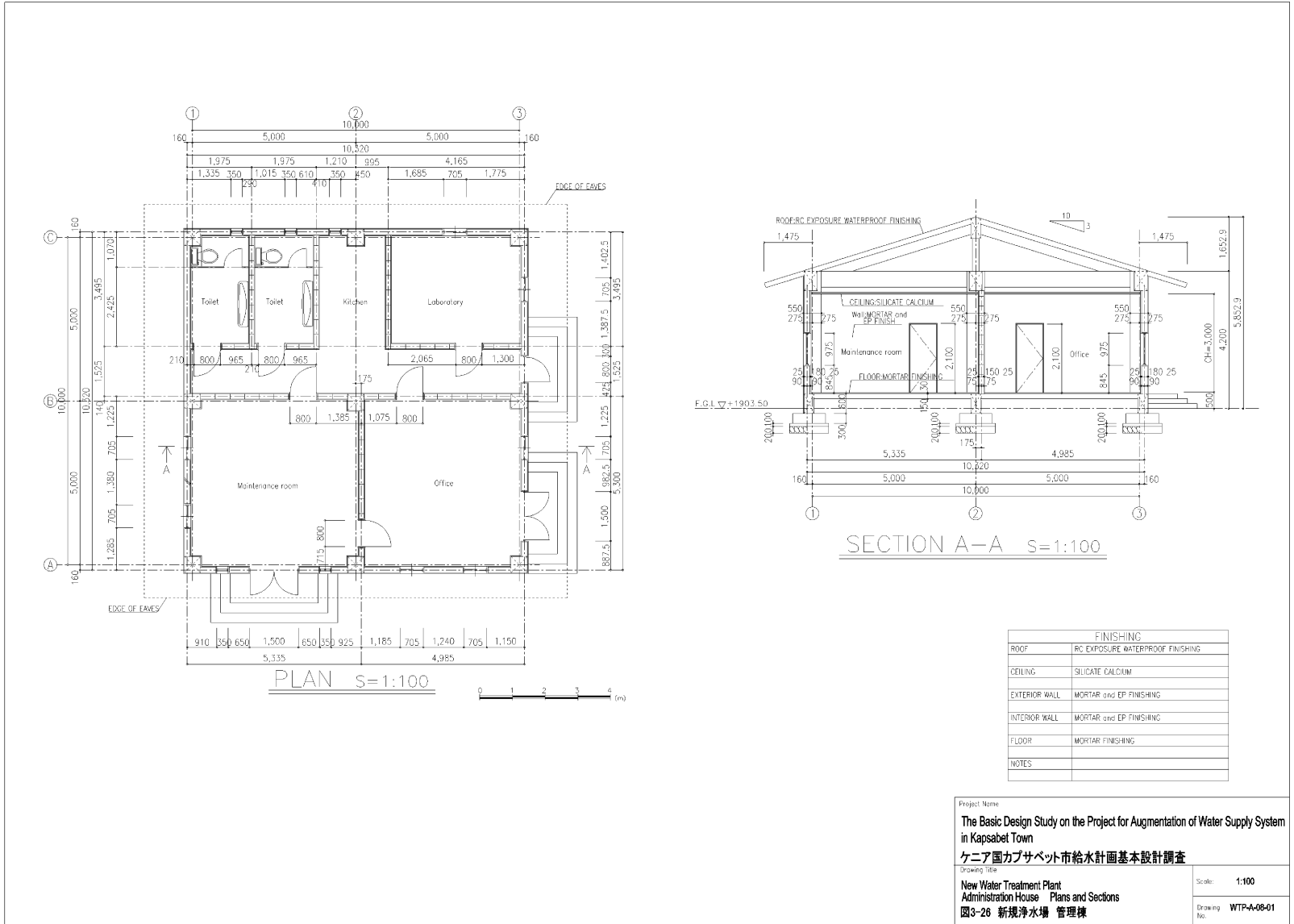


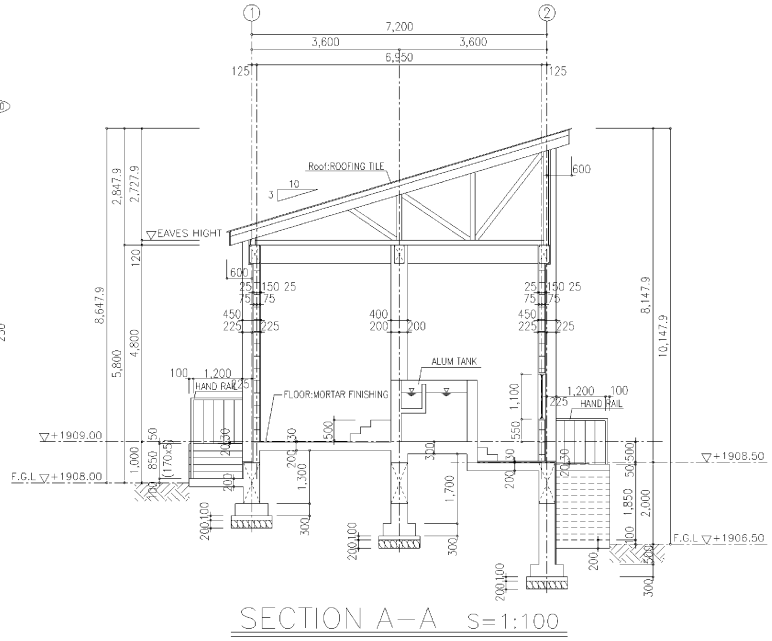
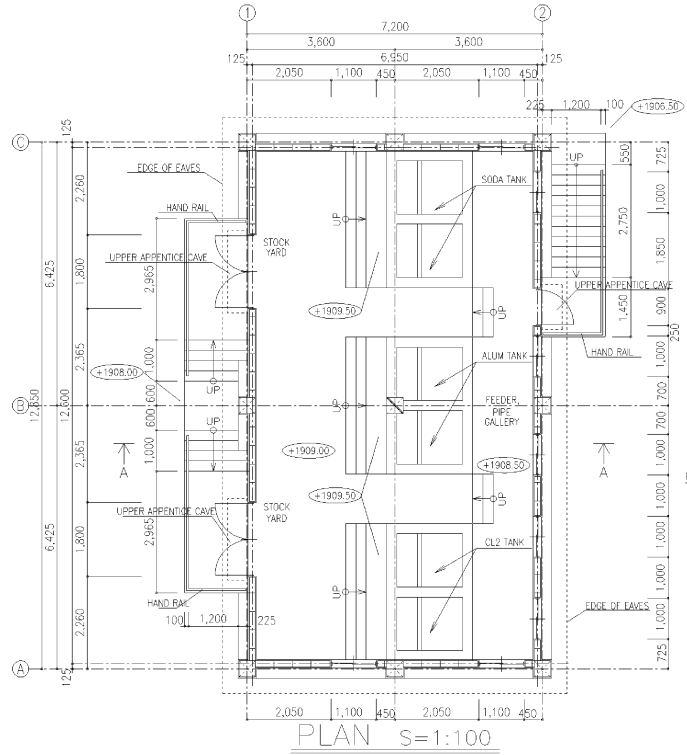




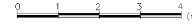
Project Name	
The Basic Design Study on the Project for Augmentation of Water Supply System in Kapsabet Town	
ケニア国カプサベット市給水計画基本設計調査	
Drawing Title	
New Water Treatment Plant	
Wash Water Tank	
図3-24 新規浄水場 遊洗水槽	
Scale:	1:100
Drawing No.:	WTP-C-06-01







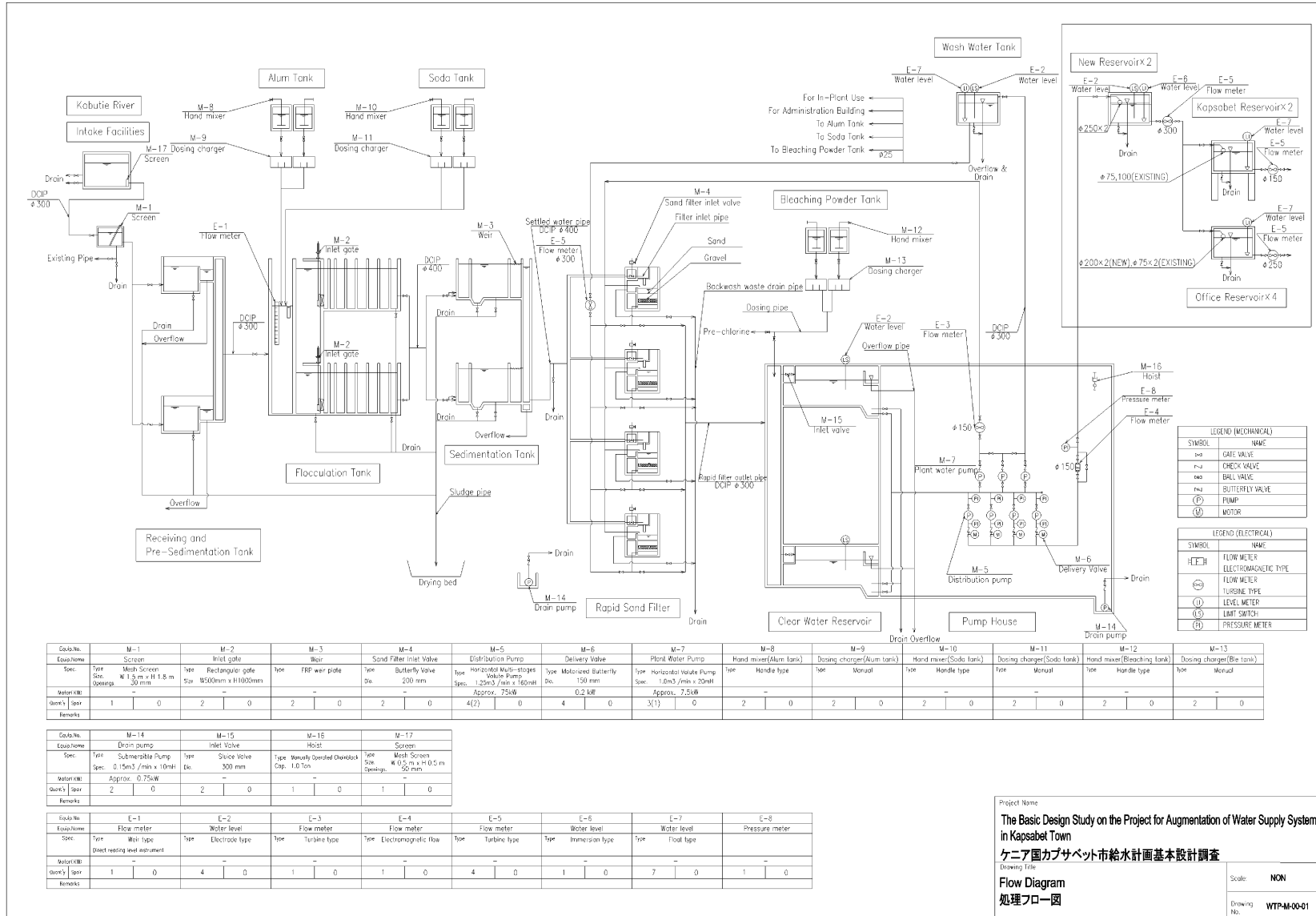
FINISHING	
ROOF	ROOFING TILE
CEILING	DIRECT CEILING
EXTERIOR WALL	MORTAR and EP FINISHING
INTERIOR WALL	MORTAR and EP FINISHING
FLOOR	MORTAR FINISHING
NOTES	

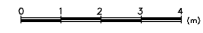
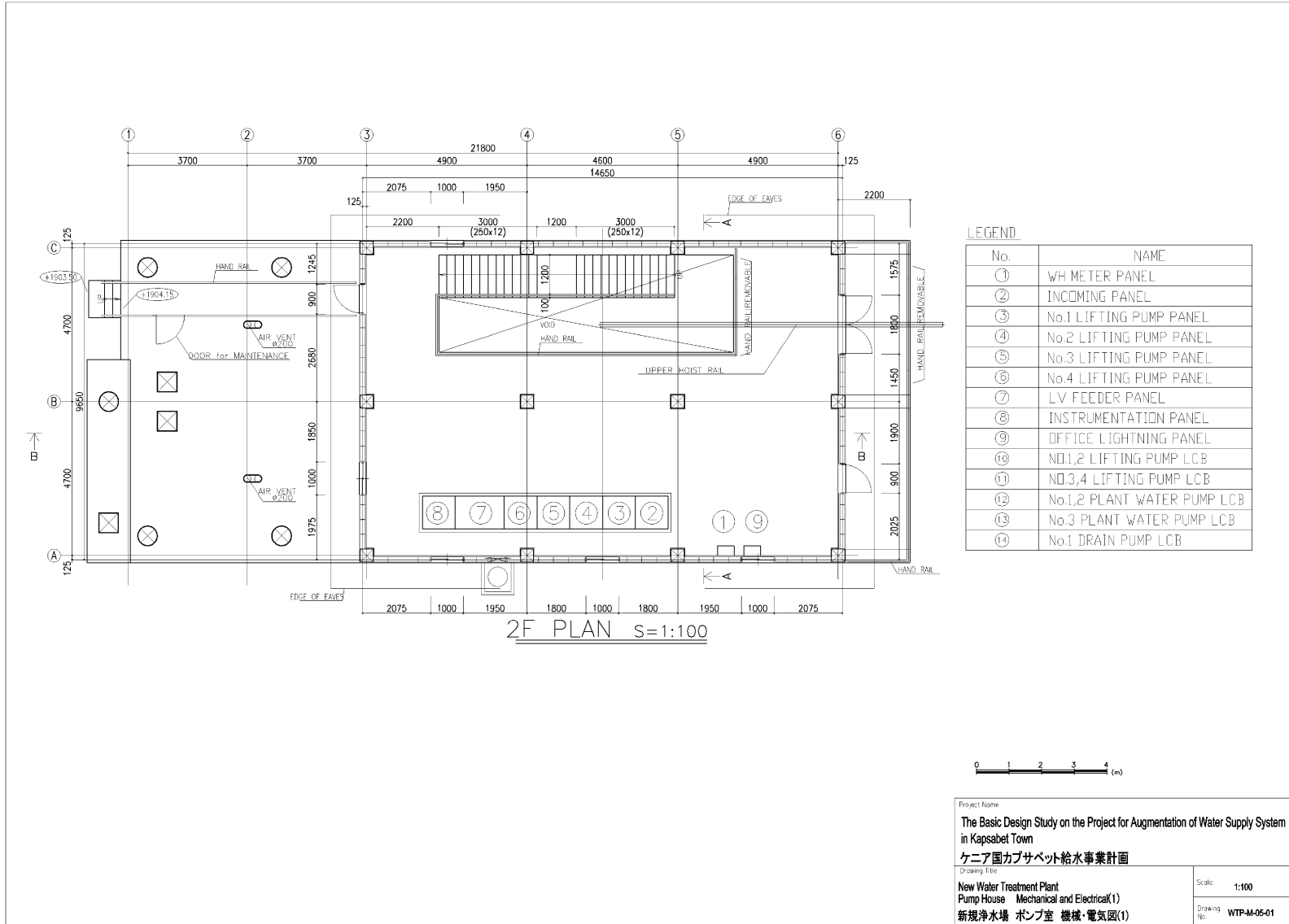


Project Name  
**The Basic Design Study on the Project for Augmentation of Water Supply System in Kapsabet Town**  
**ケニア国カプサベット市給水計画基本設計調査**

Drawing Title  
**New Water Treatment Plant Chemical House Plans and Sections**  
**図3-27 新規浄水場 薬品貯蔵庫**

Scale: 1:100  
 Drawing No. WTP-A-09-01



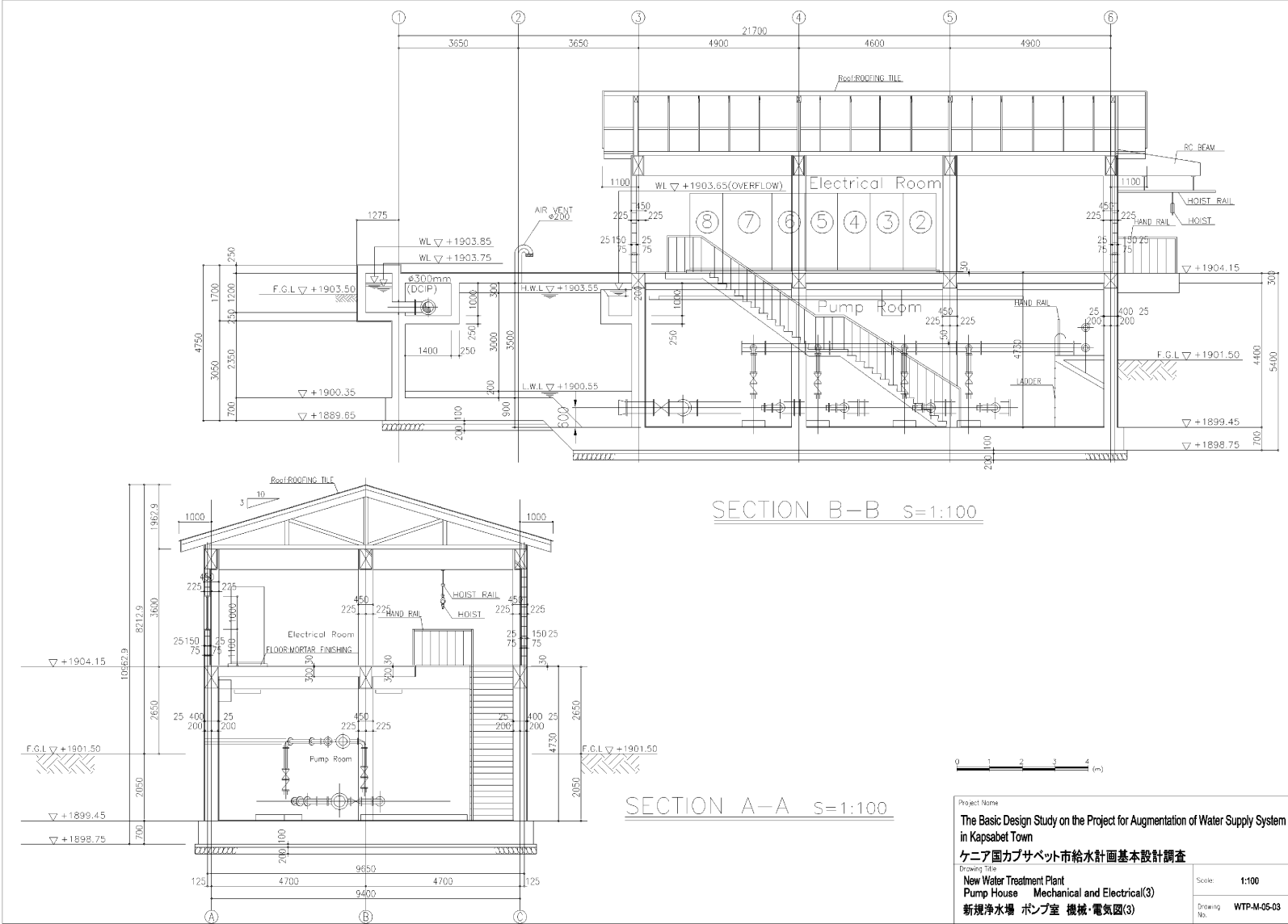


Project Name:  
**The Basic Design Study on the Project for Augmentation of Water Supply System in Kapsabet Town**  
**ケニア国カプサベット給水事業計画**

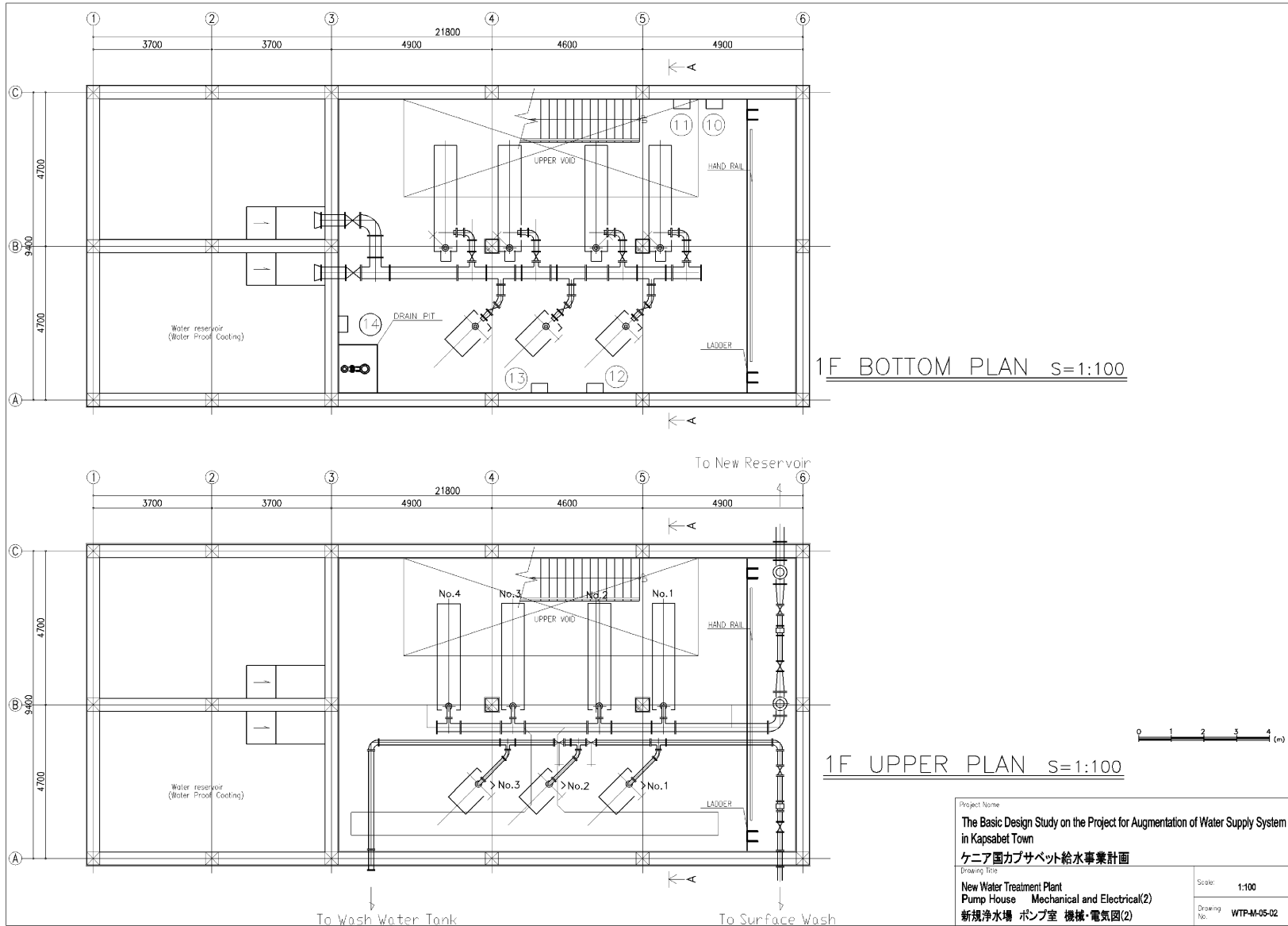
Drawing Title:  
**New Water Treatment Plant**  
**Pump House Mechanical and Electrical(1)**  
**新規浄水場 ポンプ室 機械・電気図(1)**

Scale: **1:100**

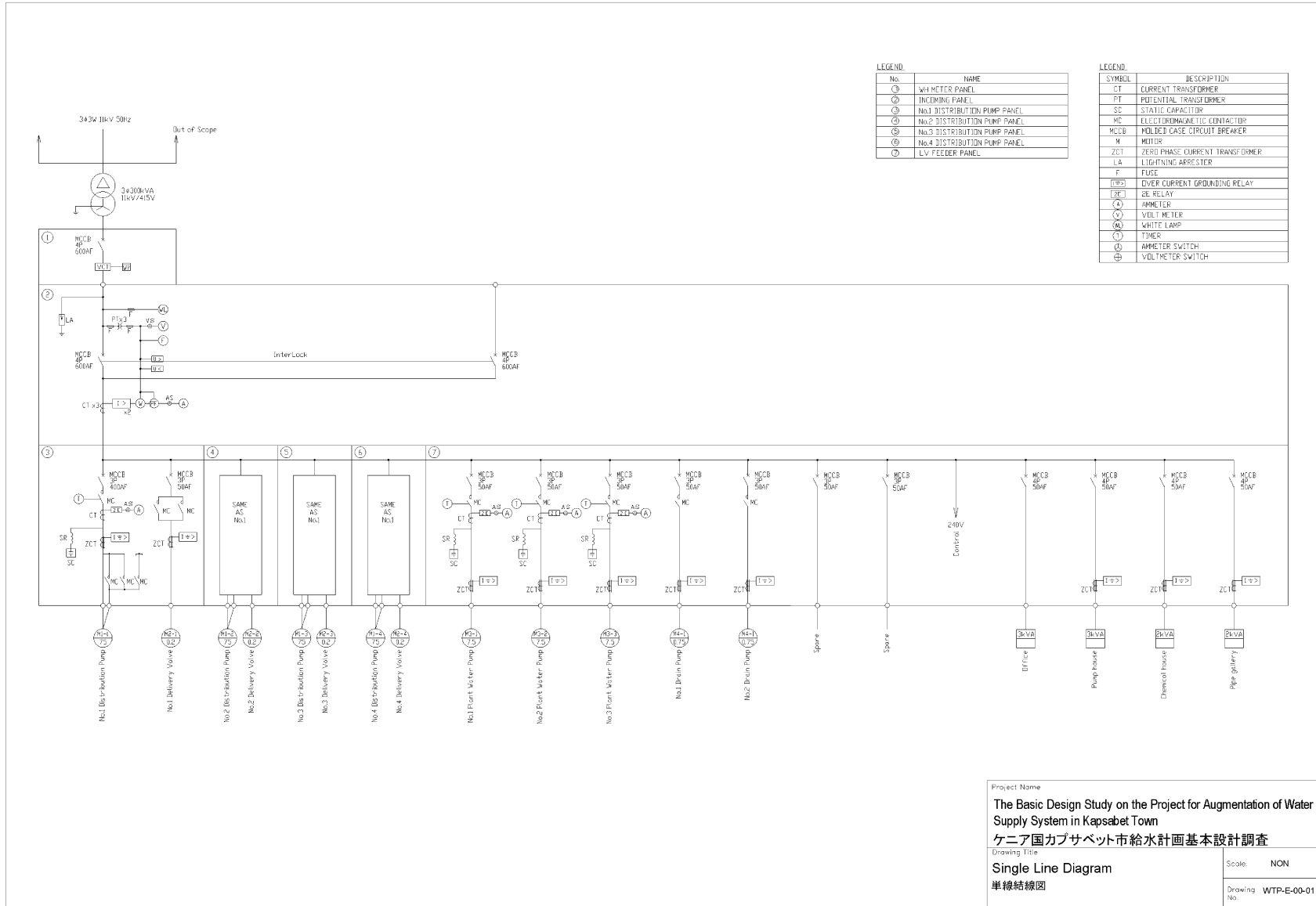
Drawing No.: **WTP-M-05-01**

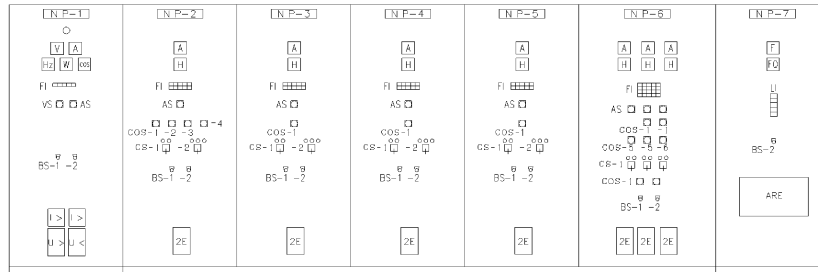


Project for Augmentation of Water Supply System in Kapsabet Town in the Republic of Kenya

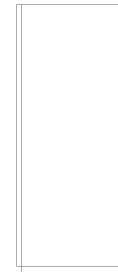








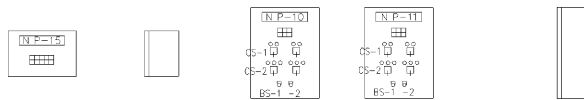
Front View



Side View

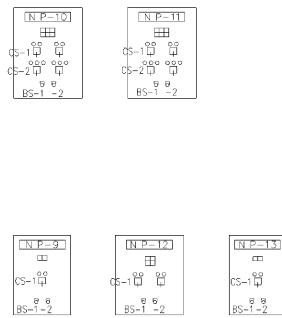
LEGEND

No.	NAME
NP-1	INCOMING PANEL
NP-2	No.1 DISTRIBUTION PUMP PANEL
NP-3	No.2 DISTRIBUTION PUMP PANEL
NP-4	No.3 DISTRIBUTION PUMP PANEL
NP-5	No.4 DISTRIBUTION PUMP PANEL
NP-6	LV FEEDER PANEL
NP-7	INSTRUMENTATION PANEL
NP-8	WH METER PANEL
NP-9	DRAIN PUMP PANEL
NP-10	No.1,2 DISTRIBUTION PUMP LOCAL PANEL
NP-11	No.3,4 DISTRIBUTION PUMP LOCAL PANEL
NP-12	No.1,2 PLANT WATER PUMP LOCAL PANEL(PUMP ROOM)
NP-13	No.3 PLANT WATER PUMP LOCAL PANEL
NP-14	No.1,2 PLANT WATER PUMP LOCAL PANEL(SAND FILTER)
NP-15	ALARM PANEL
COS-1	CHANGE OVER SWITCH (AUTO - MANUAL)
COS-2	CHANGE OVER SWITCH (LOCAL - ELECTRICAL ROOM)
COS-3	CHANGE OVER SWITCH (RESERVOIR LEVEL No.1 - No.2)
COS-4	CHANGE OVER SWITCH (ELECTRODE No.1 - No.2)
COS-5	CHANGE OVER SWITCH (SAND FILTER - ELECTRICAL ROOM - PUMP ROOM)
COS-6	CHANGE OVER SWITCH (ELECTRICAL ROOM - PUMP ROOM)
CS-1	OPERATION SWITCH (RUN-STOP)
CS-2	OPERATION SWITCH (OPEN-WORKING-CLOSE)
BS-1	PUSH BUTTON SWITCH (TROUBLE RETURN)
BS-2	OPERATION SWITCH (CLAMP TEST)
ARE	AUTOMATIC REPORT EQUIPMENT



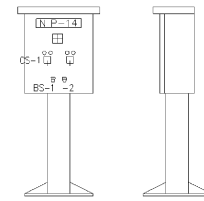
Front View

Side View



Front View

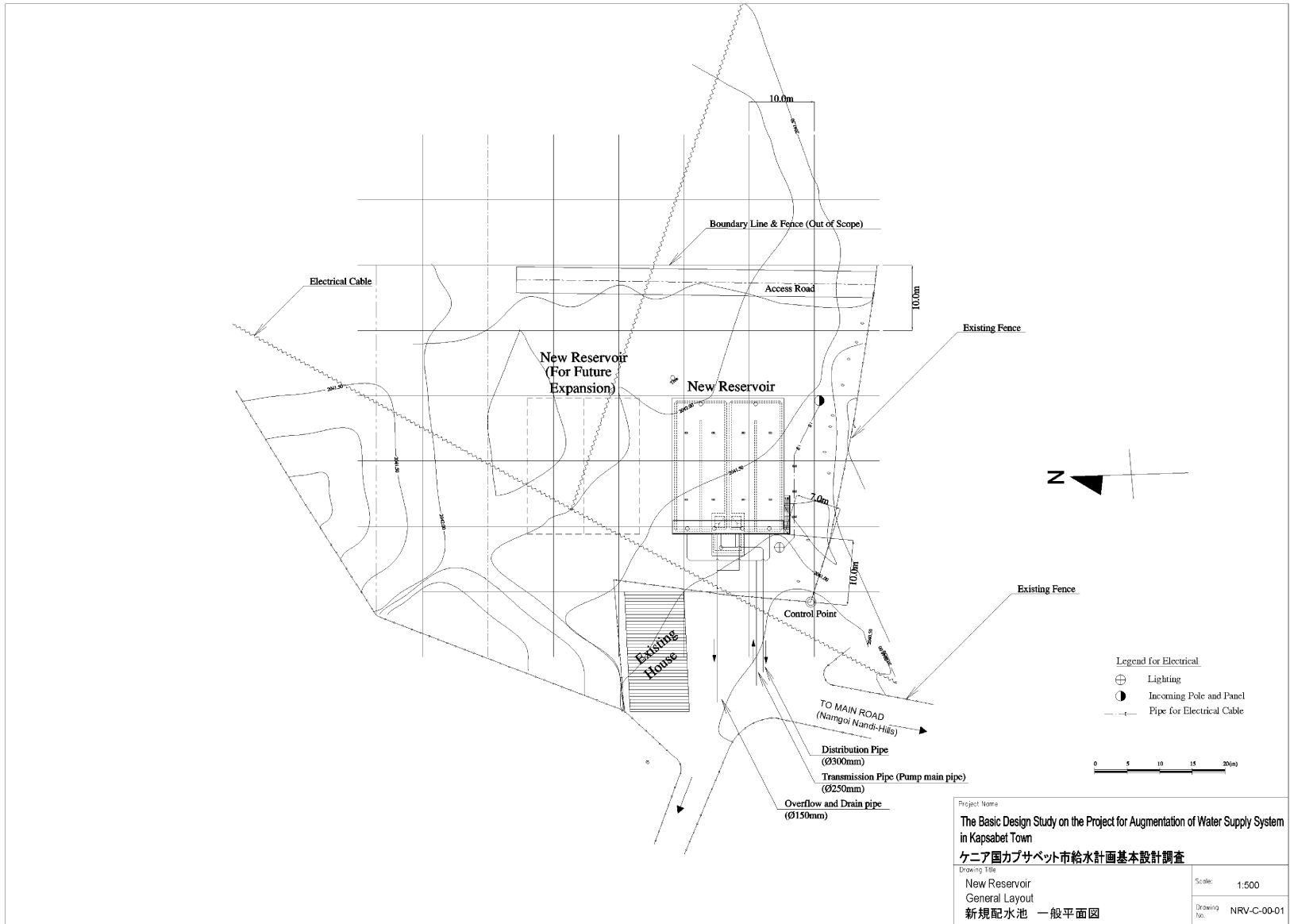
Side View

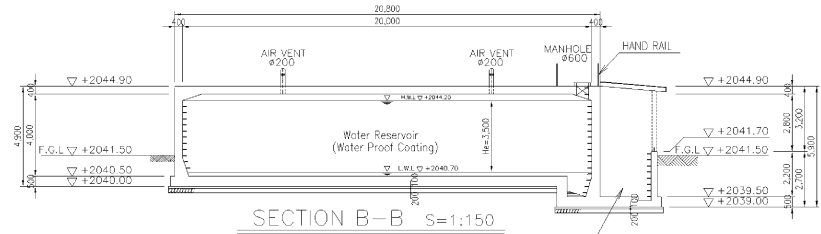
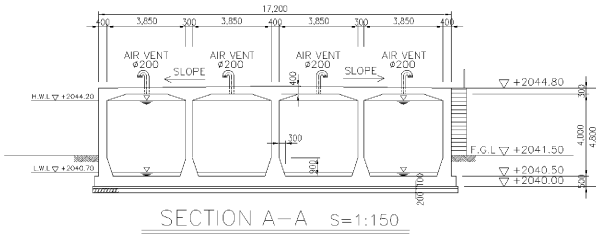


Front View

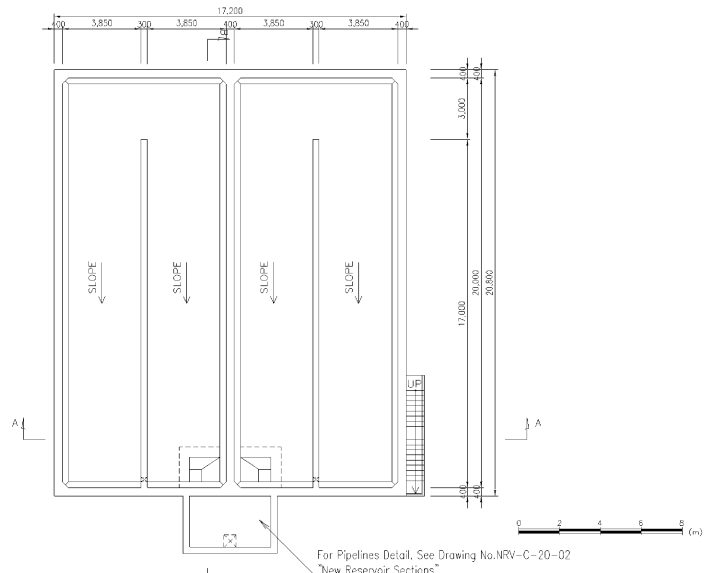
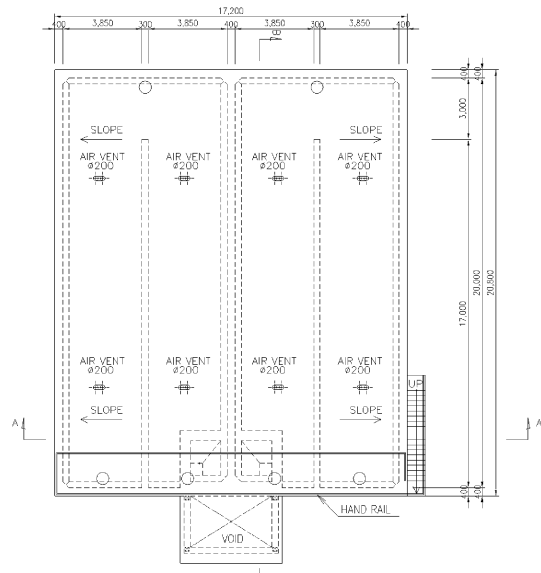
Side View

Project Name	
The Basic Design Study on the Project for Augmentation of Water Supply System in Kapsabet Town	
ケニア国カプサベット市給水計画基本設計調査	
Drawing Title	Scale: NON
LV Distribution Panel and Local Control Panel	Drawing No. WTP-E-00-02
低圧盤姿図、現場盤姿図	No.



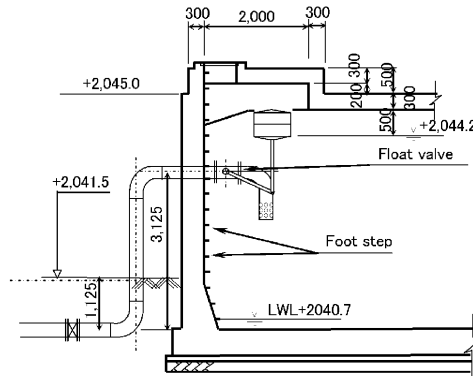
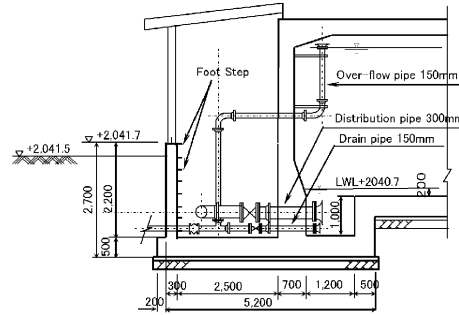
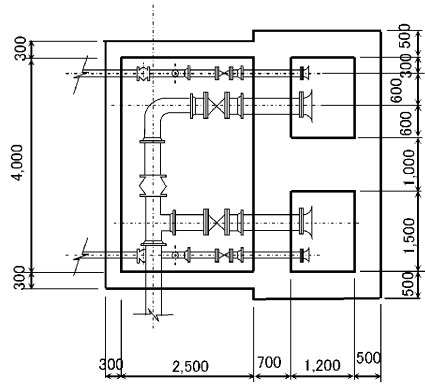


For Pipelines Detail, See Drawing No. NRV-C-20-02  
"New Reservoir Sections"

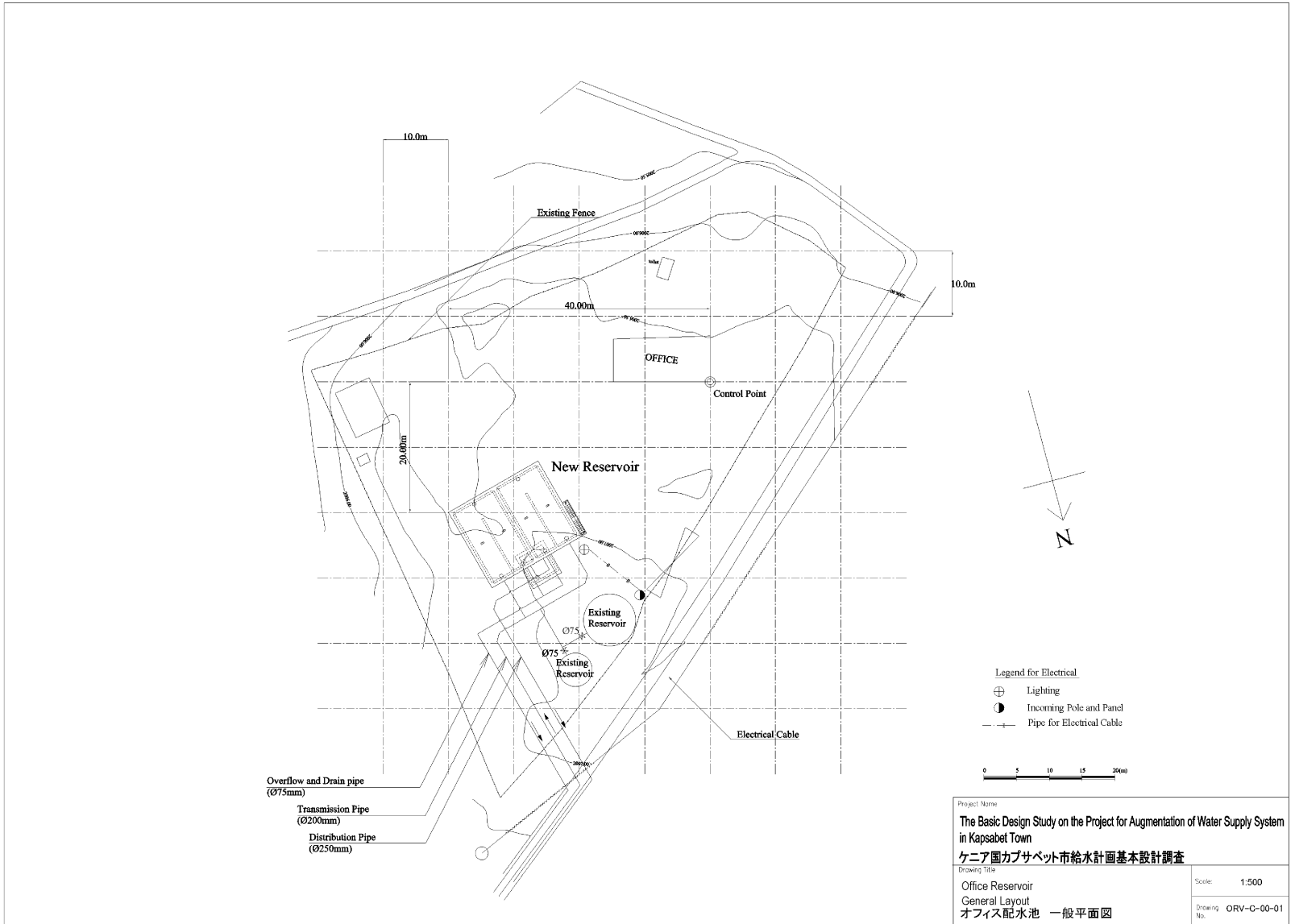


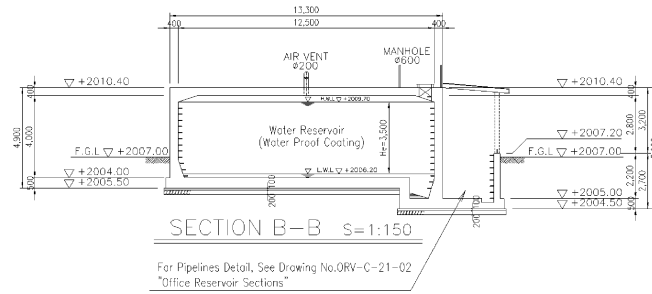
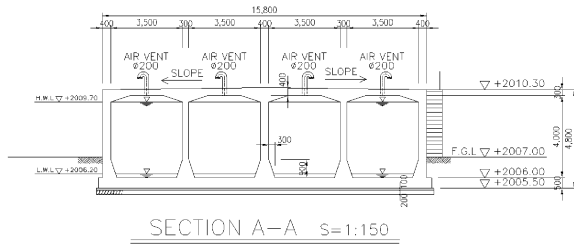
For Pipelines Detail, See Drawing No. NRV-C-20-02  
"New Reservoir Sections"

Project Name	
The Basic Design Study on the Project for Augmentation of Water Supply System in Kapsabet Town	
ケニア国カプサベット市給水計画基本設計調査	
Drawing Title	
New Reservoir Plans and Sections	
新規配水池 平面図	
Scale:	NOT TO SCALE
Drawing No.:	NRV-C-20-01

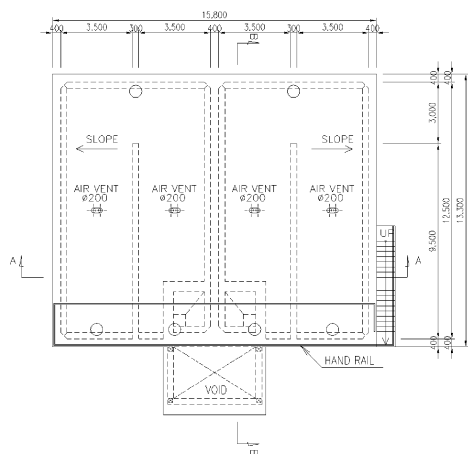


Project Name	
The Basic Design Study on the Project for Augmentation of Water Supply System in Kapsabet Town	
ケニア国カプサベット市給水計画基本設計調査	
Drawing Title	
New Reservoir	
Sections	
新規配水池 断面図	
Scale:	NOT TO SCALE
Drawing No:	NRV-C-20-02

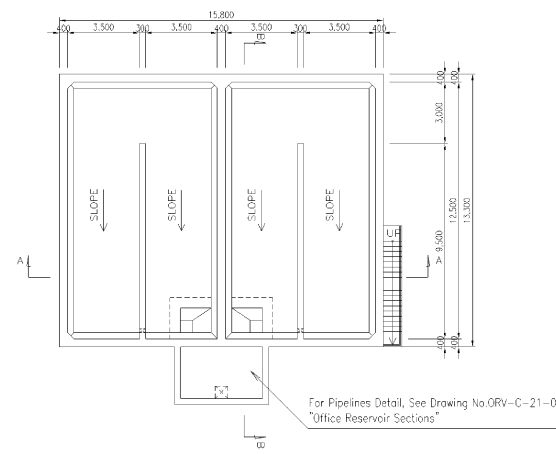




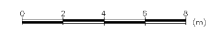
For Pipelines Detail, See Drawing No. ORV-C-21-02  
"Office Reservoir Sections"



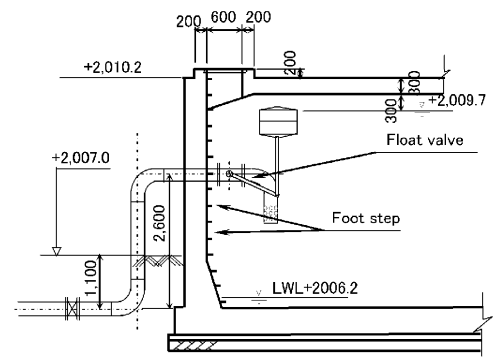
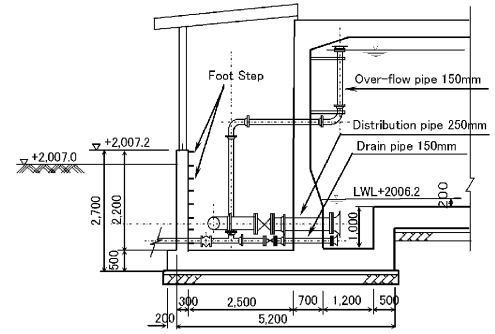
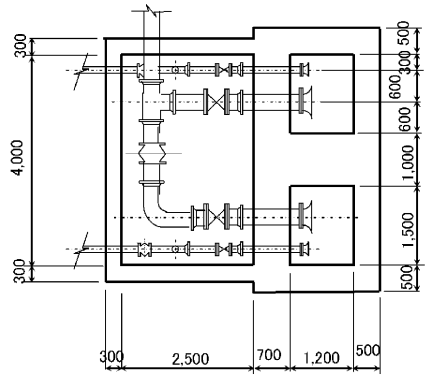
ROOF PLAN s=1:150



BOTTOM A-A s=1:150

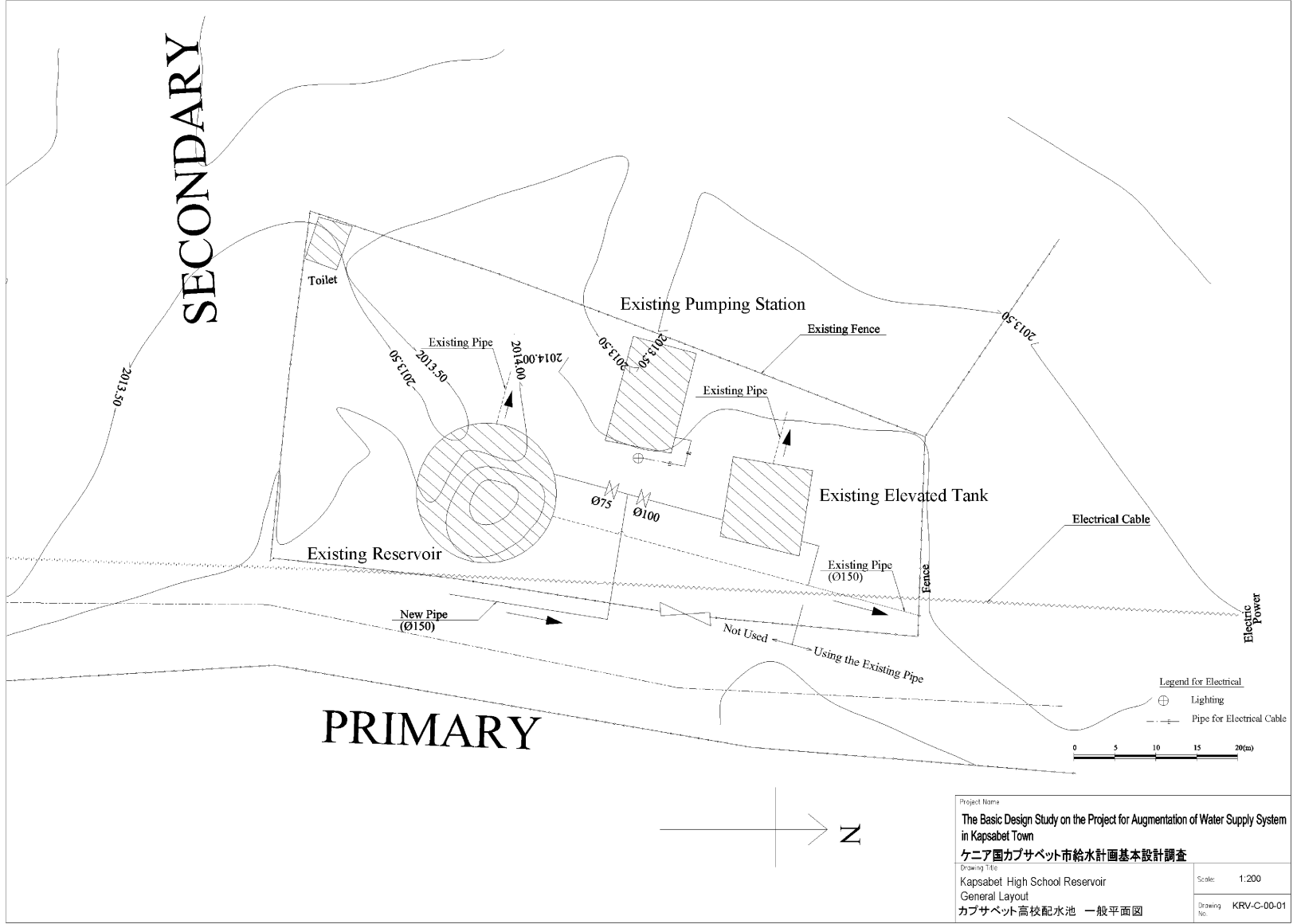


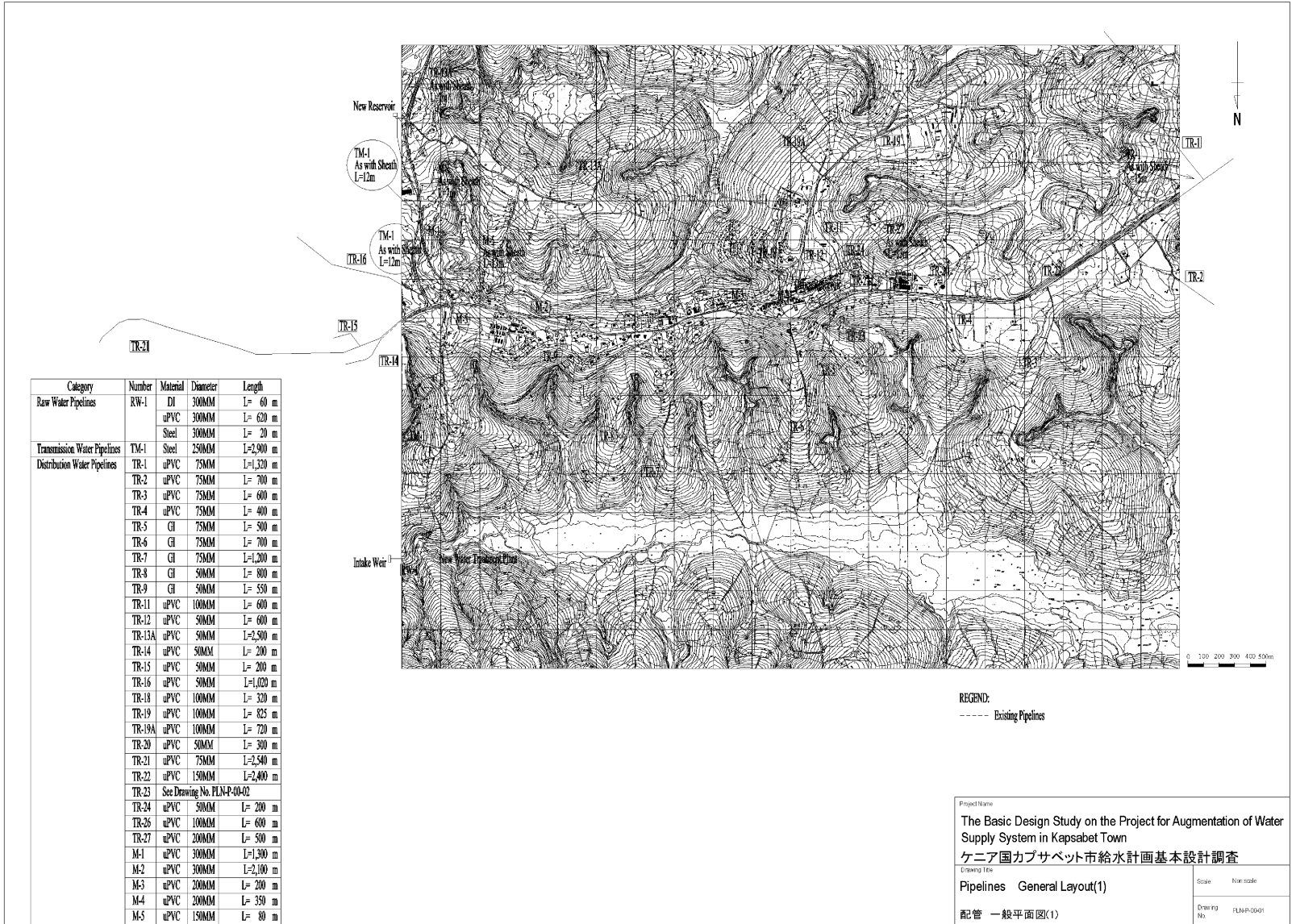
Project Name	
The Basic Design Study on the Project for Augmentation of Water Supply System in Kapsabet Town	
ケニア国カプサベット市給水計画基本設計調査	
Drawing Title	
Office Reservoir Plans and Sections	
オフィス配水池 平断面図	
Scale:	NOT TO SCALE
Drawing No.	ORV-C-21-01



Project Name	
The Basic Design Study on the Project for Augmentation of Water Supply System in Kapsabet Town	
ケニア国カプサベット市給水計画基本設計調査	
Drawing Title	
Office Reservoir Sections	Scale: NOT TO SCALE
オフィス配水池 断面図	Drawing No. ORV-C-21-02
	Rev.





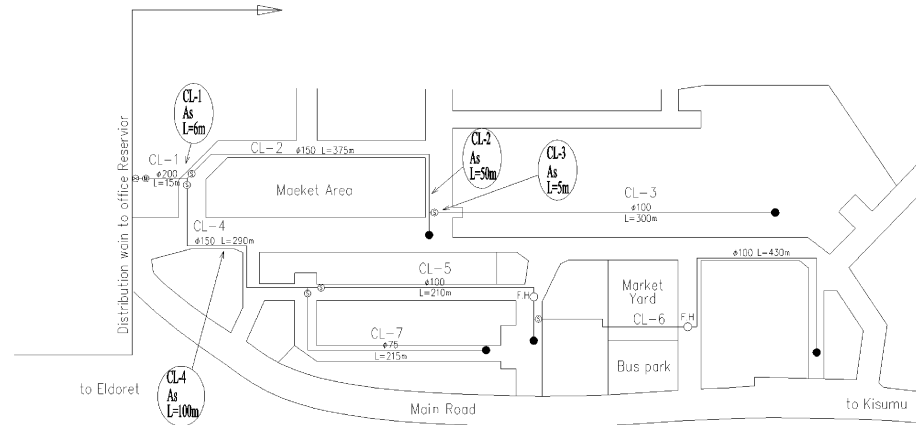


Category	Number	Material	Diameter	Length	
Raw Water Pipelines	RW-1	DI	300MM	L= 60 m	
		uPVC	300MM	L= 620 m	
		Steel	300MM	L= 20 m	
Transmission Water Pipelines	TM-1	Steel	250MM	L=2,900 m	
Distribution Water Pipelines	TR-1	uPVC	75MM	L=1,320 m	
	TR-2	uPVC	75MM	L= 700 m	
	TR-3	uPVC	75MM	L= 600 m	
	TR-4	uPVC	75MM	L= 400 m	
	TR-5	GI	75MM	L= 500 m	
	TR-6	GI	75MM	L= 700 m	
	TR-7	GI	75MM	L=1,200 m	
	TR-8	GI	50MM	L= 800 m	
	TR-9	GI	50MM	L= 550 m	
	TR-11	uPVC	100MM	L= 600 m	
	TR-12	uPVC	50MM	L= 600 m	
	TR-13A	uPVC	50MM	L=2,500 m	
	TR-14	uPVC	50MM	L= 200 m	
	TR-15	uPVC	50MM	L= 200 m	
	TR-16	uPVC	50MM	L=1,020 m	
	TR-18	uPVC	100MM	L= 320 m	
	TR-19	uPVC	100MM	L= 825 m	
	TR-19A	uPVC	100MM	L= 720 m	
	TR-20	uPVC	50MM	L= 300 m	
	TR-21	uPVC	75MM	L=2,540 m	
	TR-22	uPVC	150MM	L=2,400 m	
	TR-23	See Drawing No. PLAN-P-00-02			
	TR-24	uPVC	50MM	L= 200 m	
	TR-26	uPVC	100MM	L= 600 m	
TR-27	uPVC	200MM	L= 500 m		
M-1	uPVC	300MM	L=1,300 m		
M-2	uPVC	300MM	L=2,100 m		
M-3	uPVC	200MM	L= 200 m		
M-4	uPVC	200MM	L= 350 m		
M-5	uPVC	150MM	L= 80 m		

REGEND:  
 - - - - Existing Pipelines

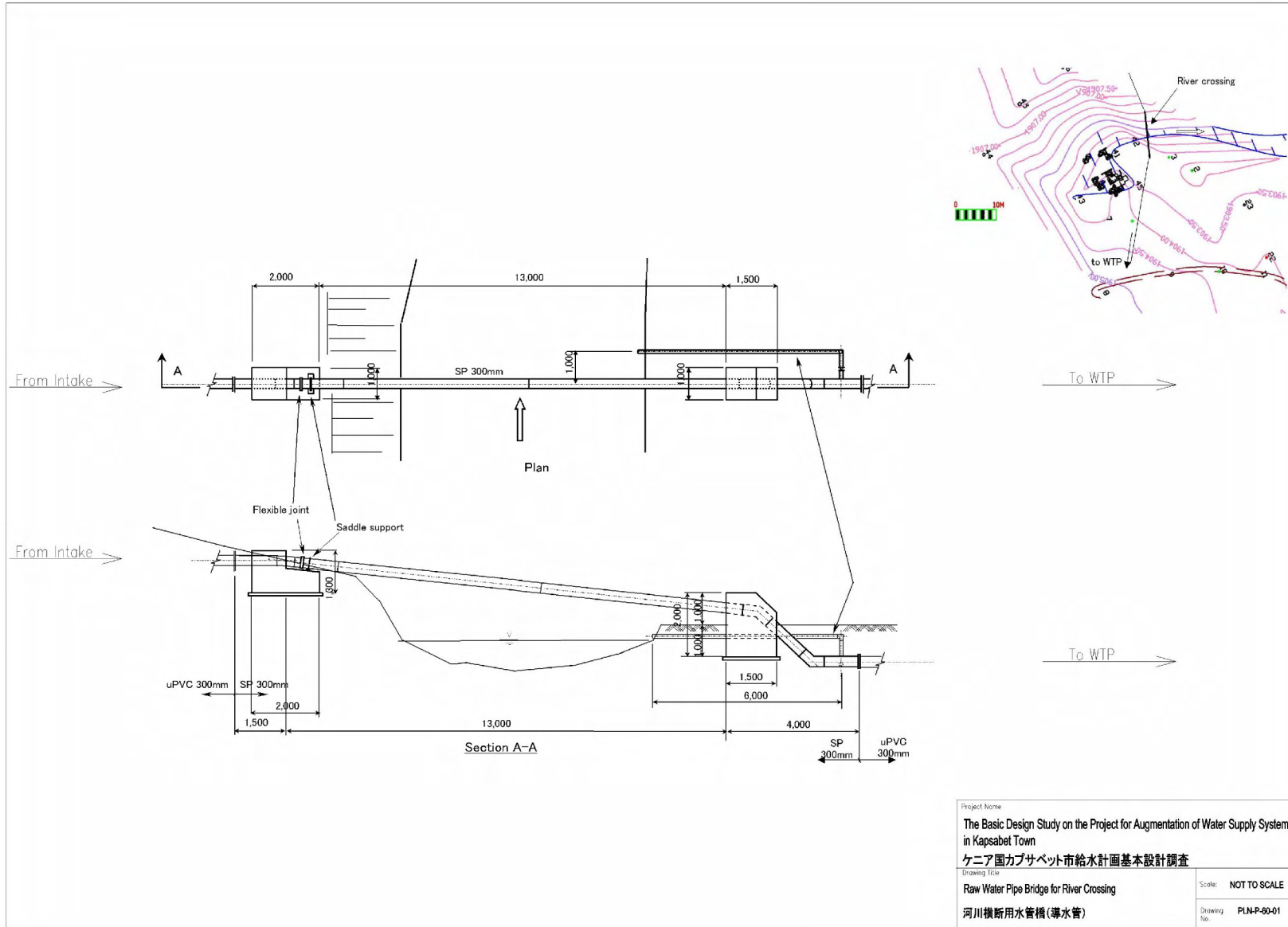
Project Name		Scale		N/A scale	
The Basic Design Study on the Project for Augmentation of Water Supply System in Kapsabet Town					
ケニア国カプサベット市給水計画基本設計調査					
Drawing Title		Scale		N/A scale	
Pipelines General Layout(1)					
Drawing No.		Scale		N/A scale	
配管 一般平面図(1)					
Drawing No.		Scale		N/A scale	
PLAN-P-00-01					

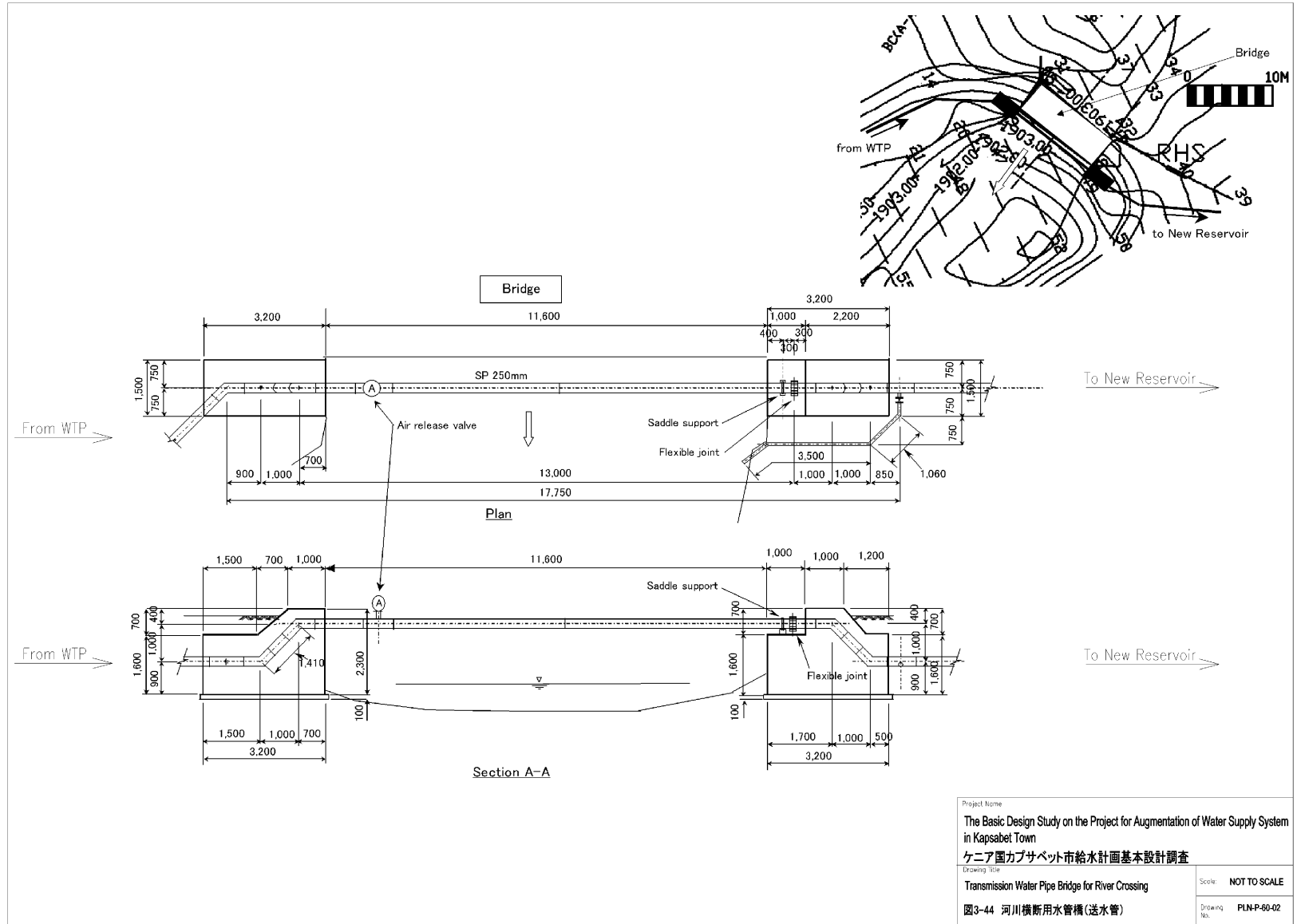
TR-23 L=1,835.00m  
Kapsabet city water distribution branch lines



Category	Number	Material	Diameter	Length
Distribution Water Pipelines	CL-1	GI	200MM	L= 15 m
	CL-2	GI	150MM	L= 375 m
	CL-3	GI	100MM	L= 300 m
	CL-4	GI	150MM	L= 230 m
	CL-5	GI	100MM	L= 210 m
	CL-6	GI	100MM	L= 210 m
	CL-7	GI	75MM	L= 215 m

Project Name	
The Basic Design Study on the Project for Augmentation of Water Supply System in Kapsabet Town	
ケニア国カプサベット市給水計画基本設計調査	
Drawing Title	
Pipelines General layout (2)	
配管 一般平面図(2)	
Scale:	Non scale
Drawing No.	PLN-P-00-02





Project Name	
The Basic Design Study on the Project for Augmentation of Water Supply System in Kapsabet Town	
ケニア国カプサベット市給水計画基本設計調査	
Drawing Title	
Transmission Water Pipe Bridge for River Crossing	
Scale:	NOT TO SCALE
Drawing No.	PLN-P-60-02
図3-44 河川横断用水管橋(送水管)	