

No.	Date	Approved	Revised

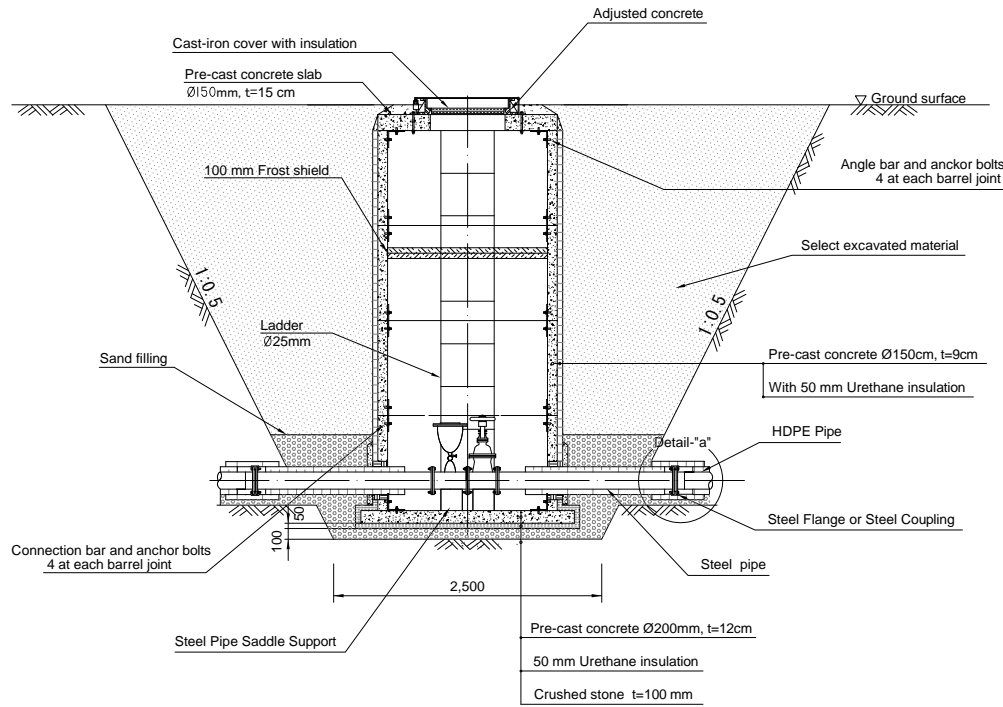
The Basic Design on the Project for Improvement of Water Supply Facilities at Darkhan City in Mongolia
 Монгол Улс Дархан хотын Гэр бүлүүдийн Гэрээний Хэрэгсэл Гүйцэтгэх Төслийн Үндсэн Дүр
 Water Supply and Sewerage System Co. of Darkhan City

JICA JAPAN INTERNATIONAL COOPERATION AGENCY (JICA)
TEC TOKYO ENGINEERING CONSULTANTS CO.,LTD, JAPAN

Title: Water Supply Facilities for Ger Area, Layout Plan (2/2) 6th Bag
 Гэр бүлүүдийн Гэрээний Хэрэгсэл Гүйцэтгэх Төслийн Үндсэн Дүр (2/2) 6-баг

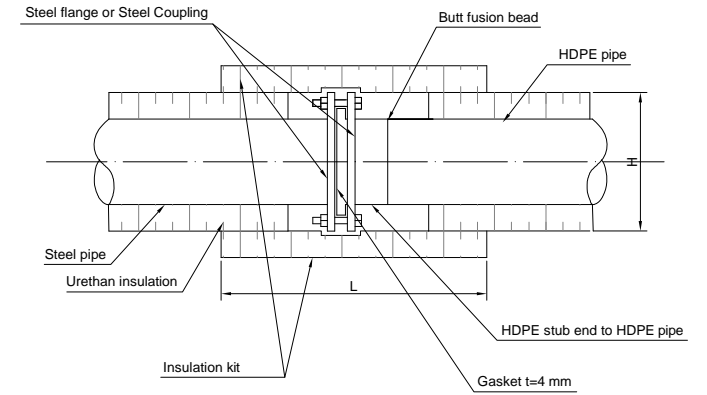
Date : September. 08	Approved by : Prepared by :
Scale : 1/4000	No. 6 - 2
REV	

Section A-A

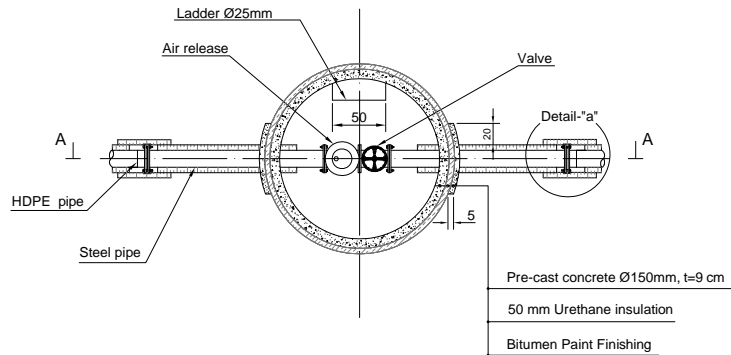


Detail-"a"

Detail of Connection Point



Detail of Chamber outside Finishing



Note:
Typical Pipe arrangement in this Chamber
shall be adjusted at site piping plan.

○			
○			
○			
○			
○			
No.	Date	Approved	Revised

The Basic design on the Project for Improvement of Water Supply
Facilities at Darkhan city in Mongolia
モンゴル国ダルハン市給水施設改善計画基本設計調査
Water Supply and Sewerage System Co. of Darkhan City

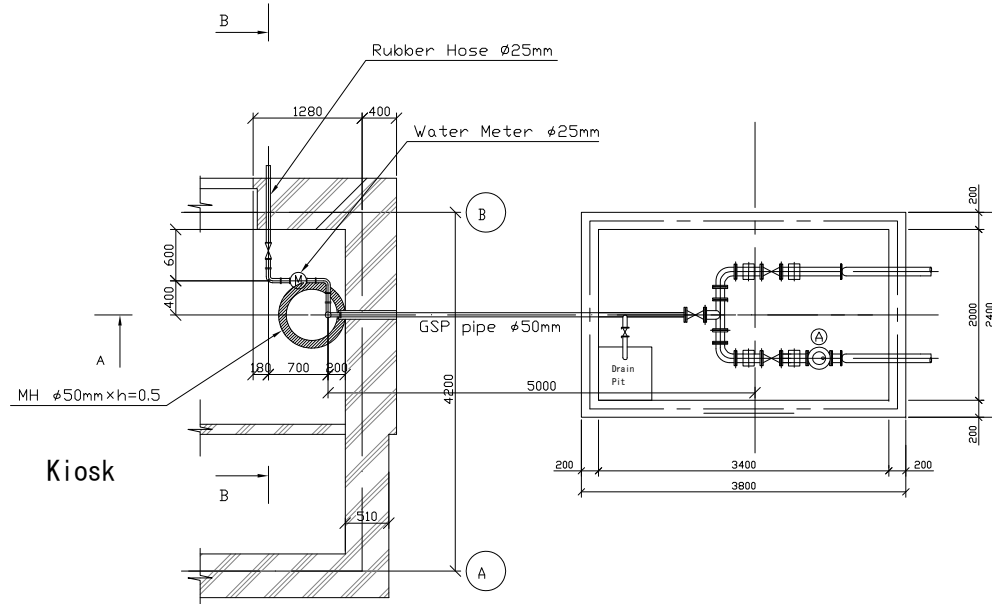


JAPAN INTERNATIONAL COOPERATION
AGENCY (JICA)
TOKYO ENGINEERING CONSULTANTS
CO.,LTD., JAPAN

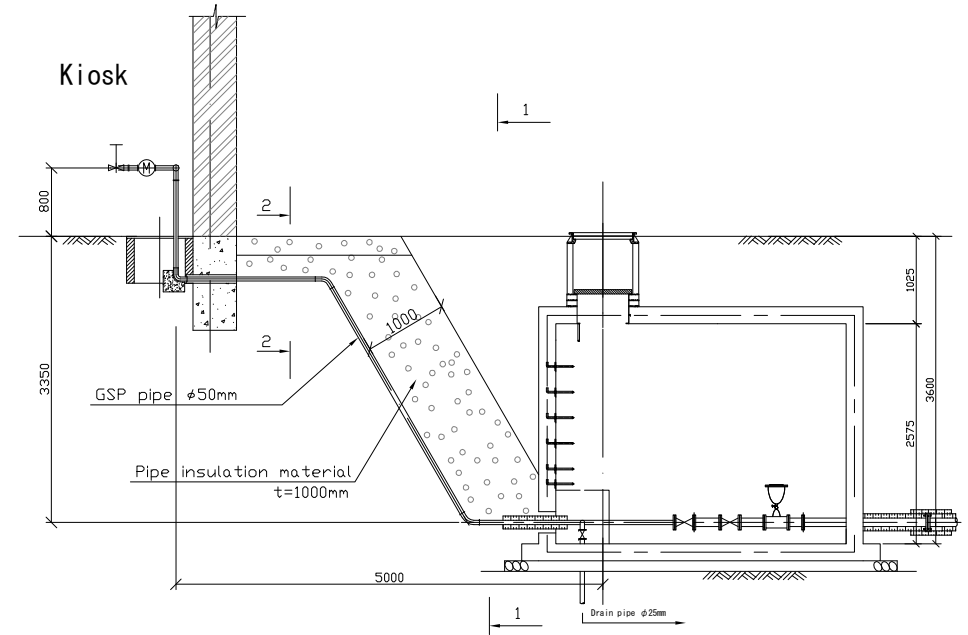
Title: Water Supply Facilities for Ger Area, Structure
of Chamber (2/2) Type B
ゲル地区給水施設、弁室構造図(2/2)、タイプB

Date:	September. 08	Approved by:	
Scale:	Non scale	Prepared by:	
No.	6 - 6	REV	◇

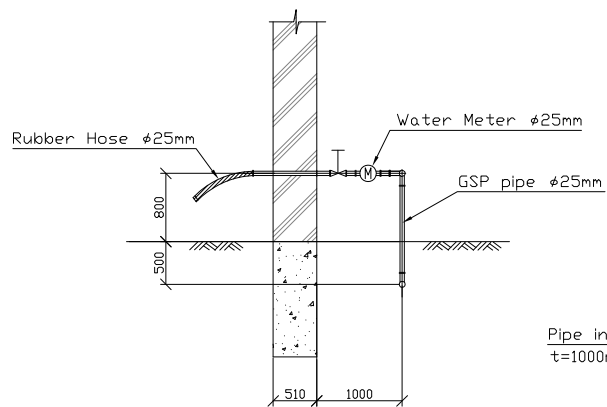
PLAN



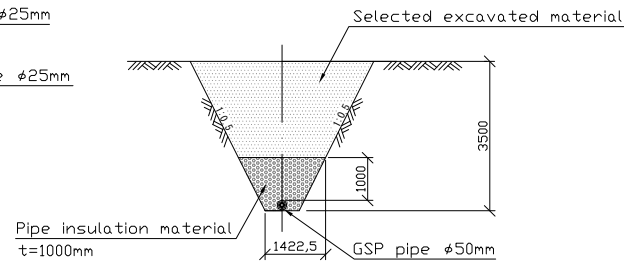
Section A-A



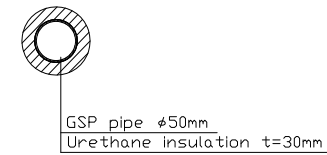
Section B-B



1-1



2-2



○			
△			
□			
◇			
No	Date	Approved	Revised

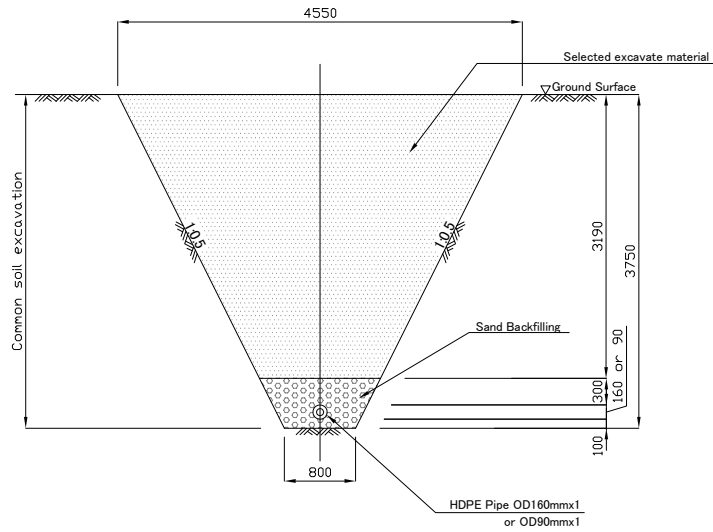
The Basic Design on the Project for Improvement of Water Supply Facilities at Darkhan City in Mongolia
 Монгол Улс Дархан хотын ГХСХС-ийн ГХСХС-ийн ГХСХС-ийн ГХСХС-ийн
 Water Supply and Sewerage System Co. of Darkhan City

JICA JAPAN INTERNATIONAL COOPERATION AGENCY (JICA)
TEC TOKYO ENGINEERING CONSULTANTS CO.,LTD, JAPAN

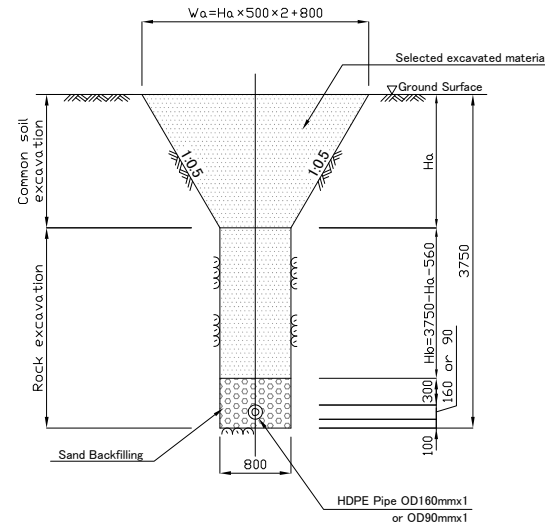
Title: Water Supply Facilities for Ger Area, Kiosk Connection
 Гел дүүрэг ГХСХС-ийн ГХСХС-ийн ГХСХС-ийн ГХСХС-ийн

Date: September. 08	Approved by:
Scale: Nonscale	Prepared by:
No. 6 - 7	REV

Single Pipe Laying
Section of Common Soil

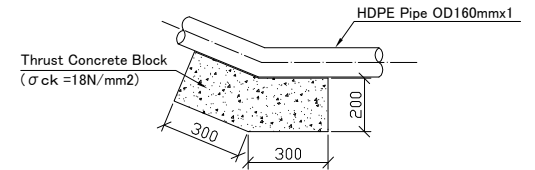


Single Pipe Laying
Section of Common Soil and Rocky Soil

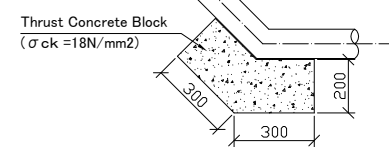


Detail of Thrust Block

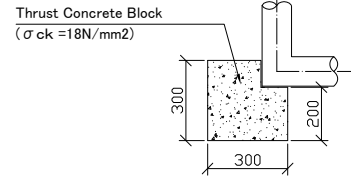
Bending Pipe OD160mm & OD90mm x 22.5°(22.5°Bend)



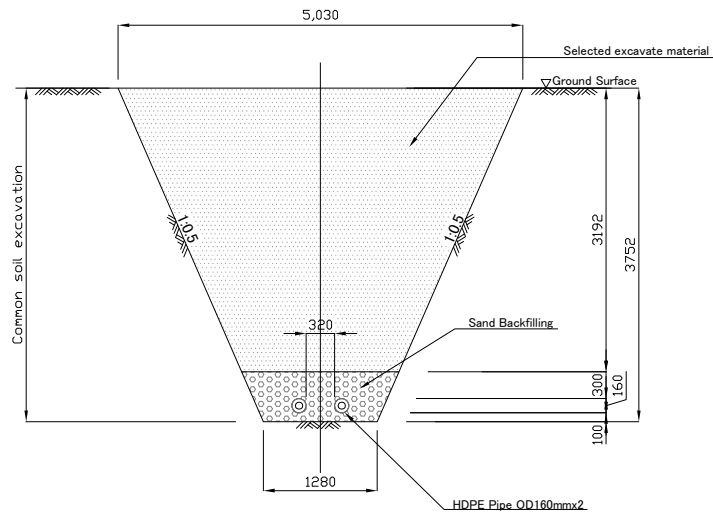
Bending Pipe OD160mm & OD90mm x 45°(45°Bend)



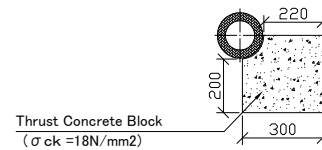
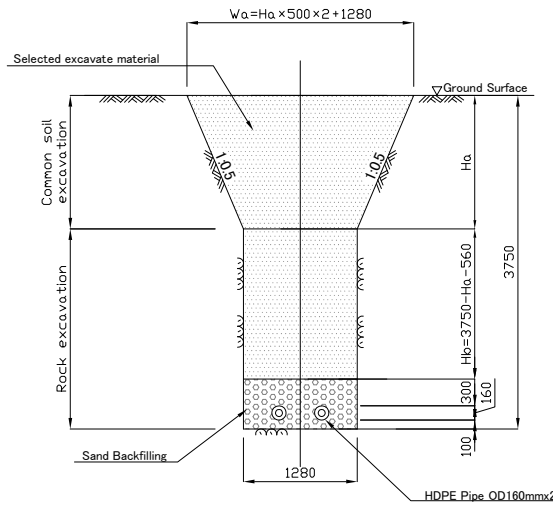
Bending Pipe OD160mm & OD90mm x 90°(90°Bend)



Double Pipe Laying
Section of Common Soil



Double Pipe Laying
Section of Common Soil and Rocky Soil



☒			
☒			
☒			
☒			
No	Date	Approved	Revised

The Basic Design on the Project for Improvement of Water Supply Facilities at Darkhan City in Mongolia
 Монгол Улс Дархан хотын Гэр бүл Гэрээний Системийн Дархан хотын
 Water Supply and Sewerage System Co. of Darkhan City

JICA JAPAN INTERNATIONAL COOPERATION AGENCY (JICA)
 TEC TOKYO ENGINEERING CONSULTANTS CO.,LTD, JAPAN

Title: Water Supply Facilities for Ger Area,
 Typical Cross Section of Pipeline Trench
 Гэр бүл Гэрээний Системийн Үүсгэц Үзүүлэлт

Date: September. 08	Approved by:
Scale: Non scale	Prepared by:
No. 6 - 8	REV

