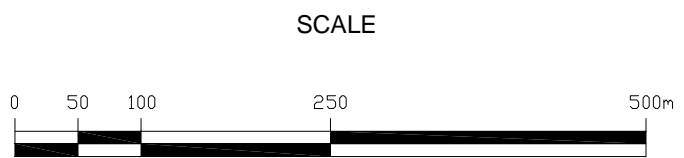




**LEGEND**

- Water Kiosk
- Distribution pipeline 150mm
- - - Distribution pipeline 80 mm
- Boundary of 5th bag (ger area)
- - - Existing Distribution Pipeline for 7th Bag
- ⊗ Connection to Existing Distribution Network



No	Date	Approved	Revised

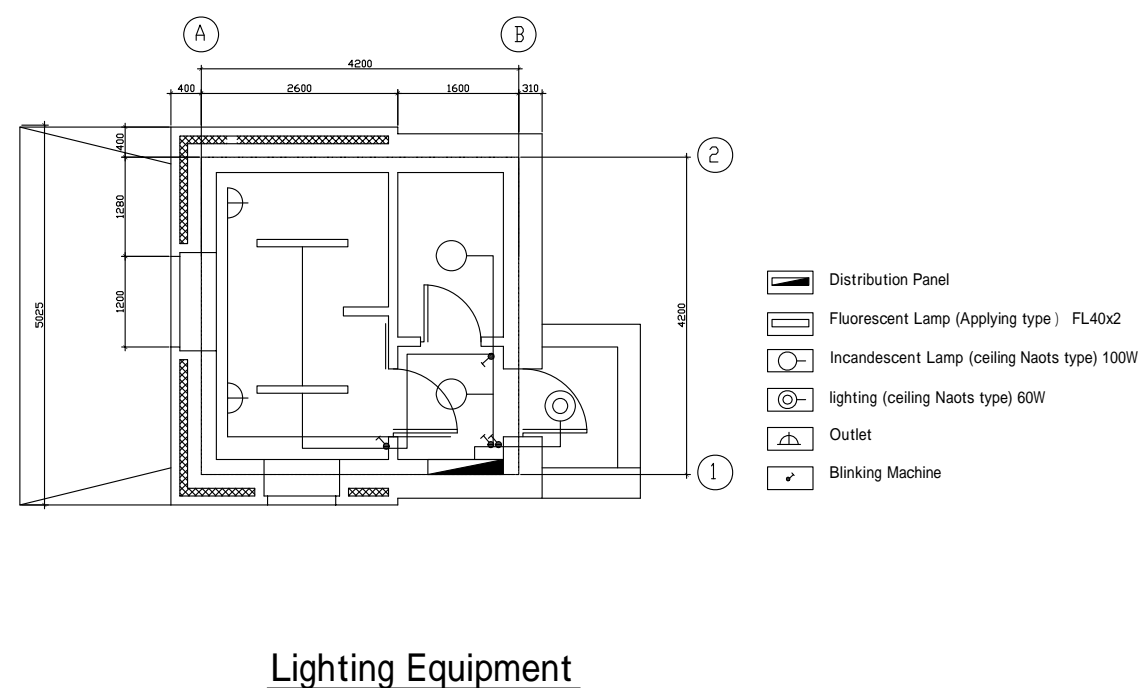
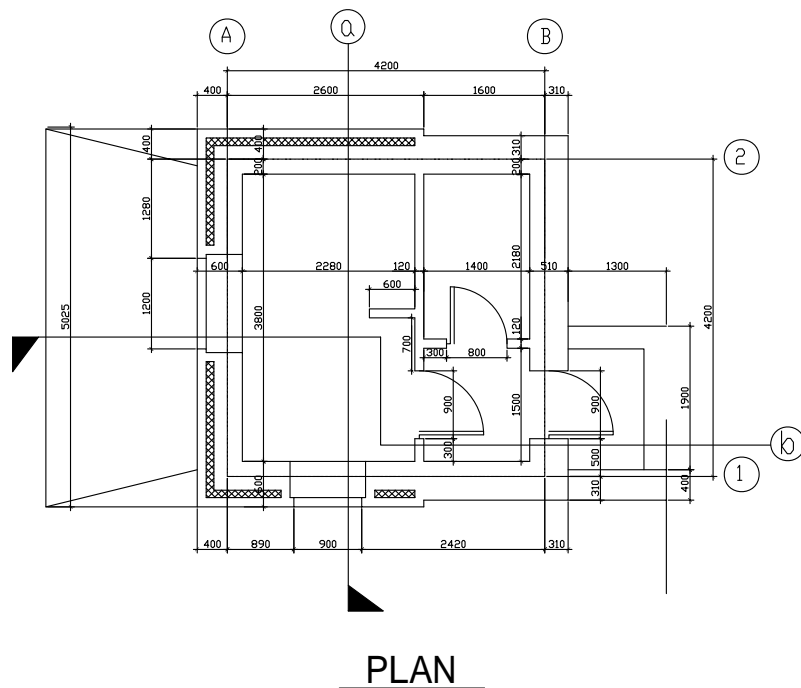
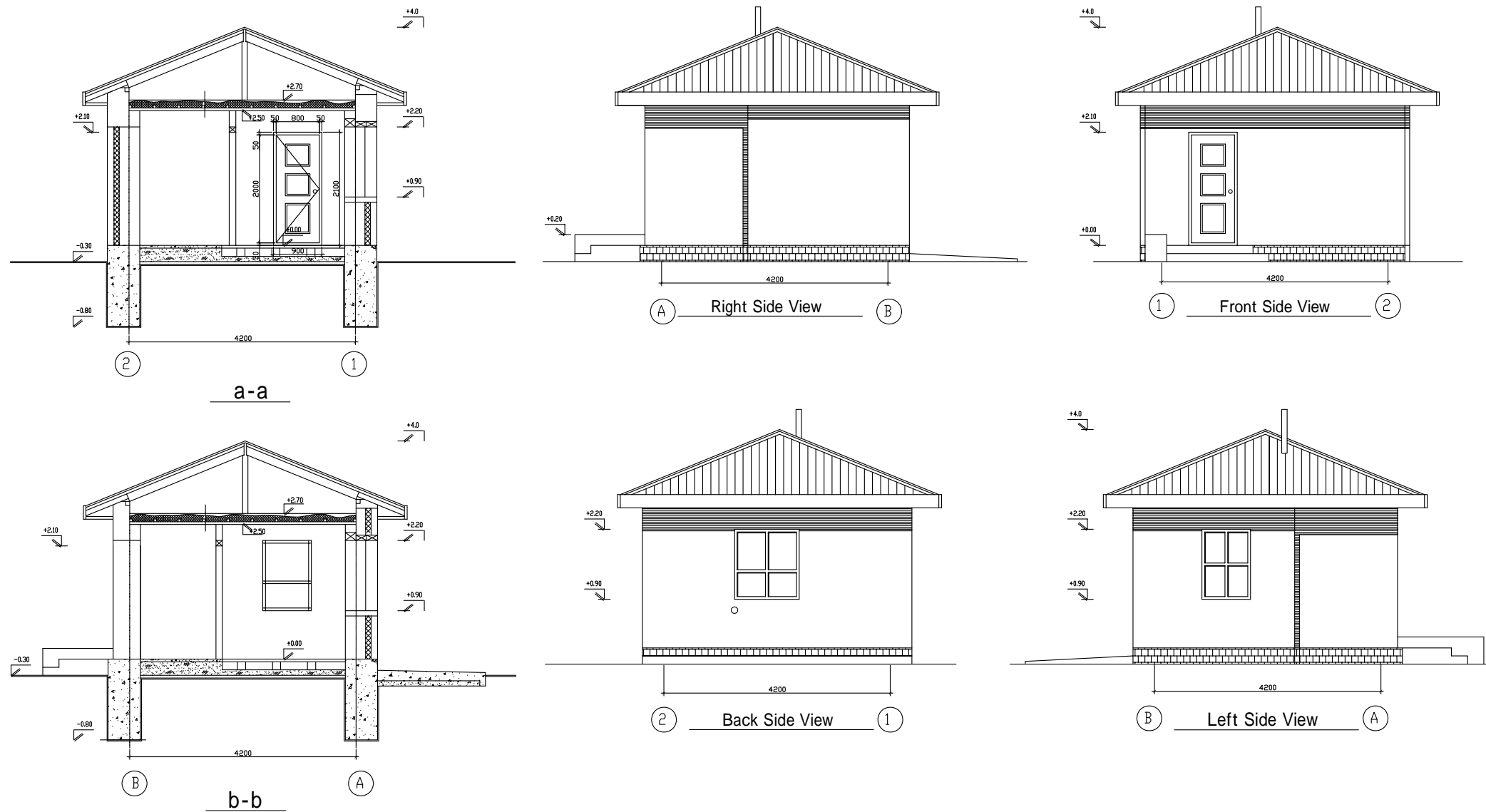
The Basic Design on the Project for Improvement of Water Supply  
Facilities at Darkhan City in Mongolia  
モンゴル国ダルハン市給水施設改善計画基本設計調査  
Water Supply and Sewerage System Co. of Darkhan City

**JICA** JAPAN INTERNATIONAL COOPERATION AGENCY (JICA)  
**TEC** TOKYO ENGINEERING CONSULTANTS CO.,LTD, JAPAN

Title: Water Supply Facilities for Ger Area, Layout Plan (2/2) 6th Bag  
ゲル地区給水施設、給水施設配置図(2/2)、第6バグ

Date : September . 08	Approved by : Prepared by :
Scale : 1/4000	No. 6 - 2 REV





No	Date	Approved	Revised

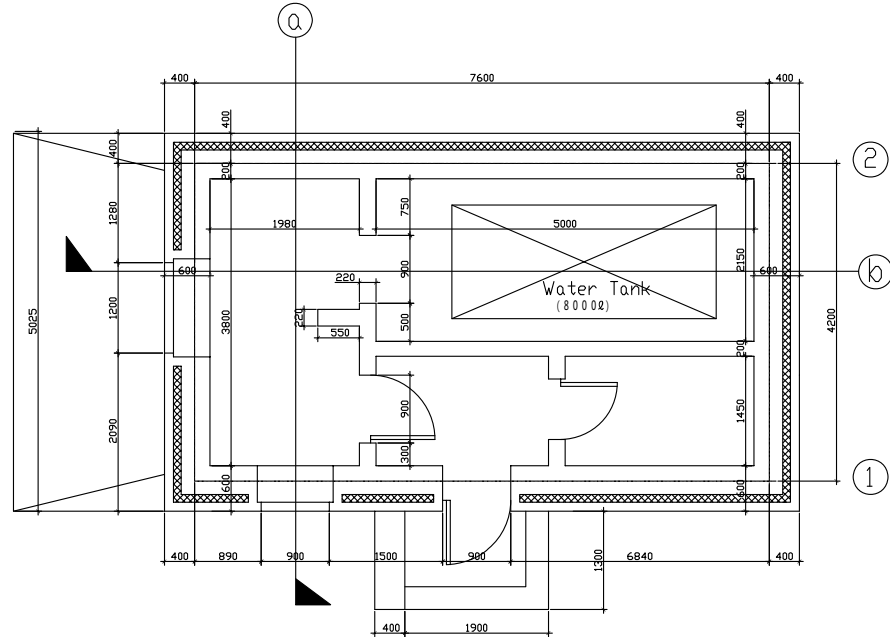
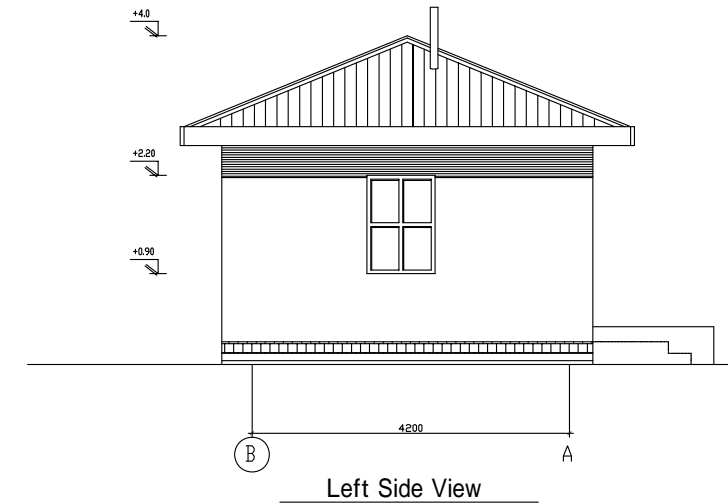
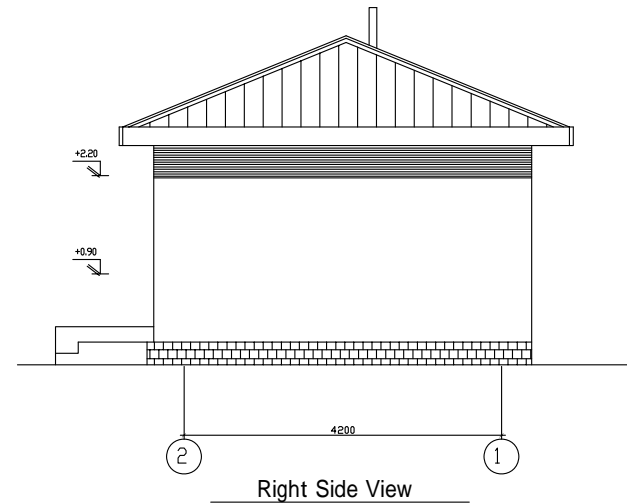
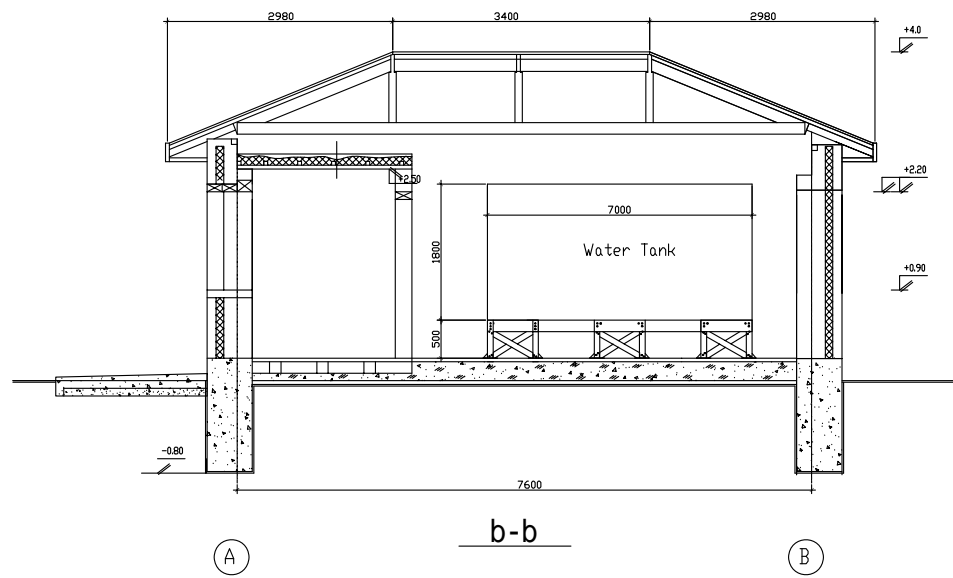
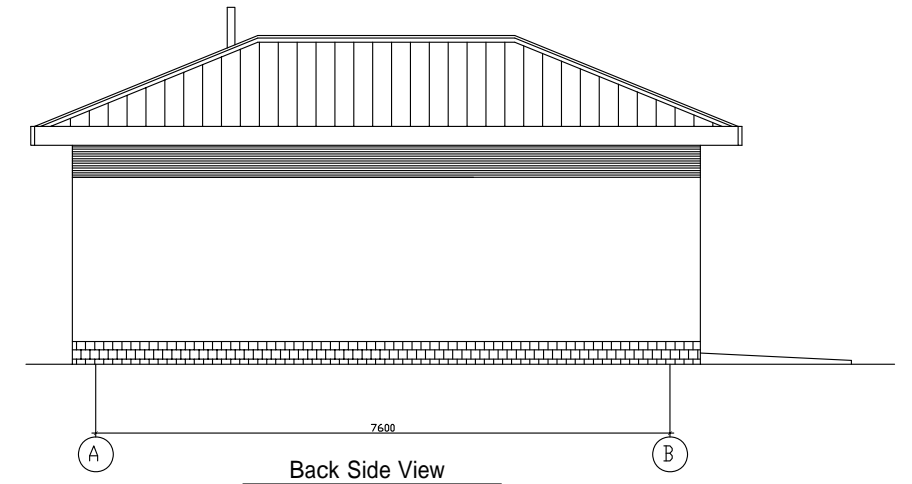
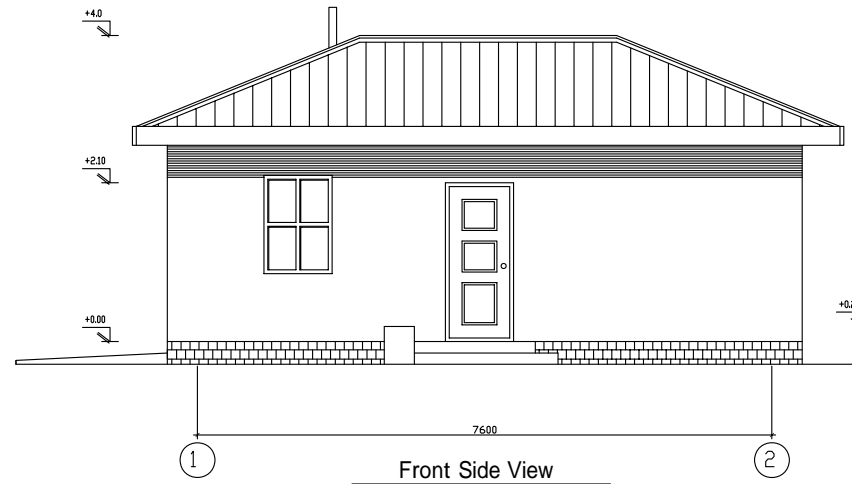
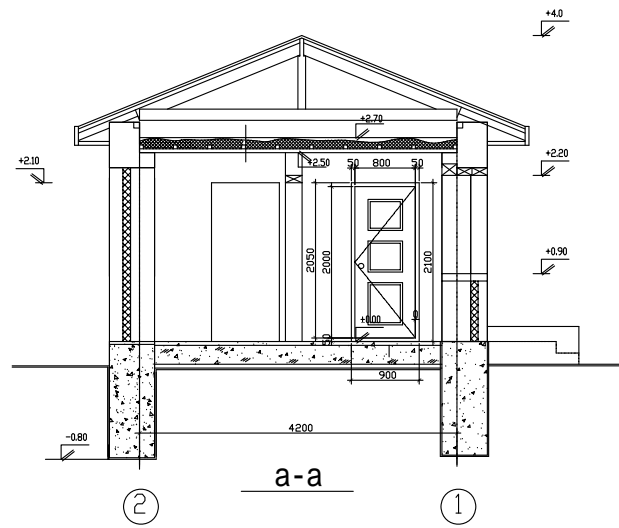
The Basic Design on the Project for Improvement of Water Supply  
Facilities at Darkhan City in Mongolia  
モンゴル国ダルハン市給水施設改善計画基本設計調査  
Water Supply and Sewerage System Co. of Darkhan City

**JICA** JAPAN INTERNATIONAL COOPERATION AGENCY (JICA)  
**TEC** TOKYO ENGINEERING CONSULTANTS CO.,LTD, JAPAN

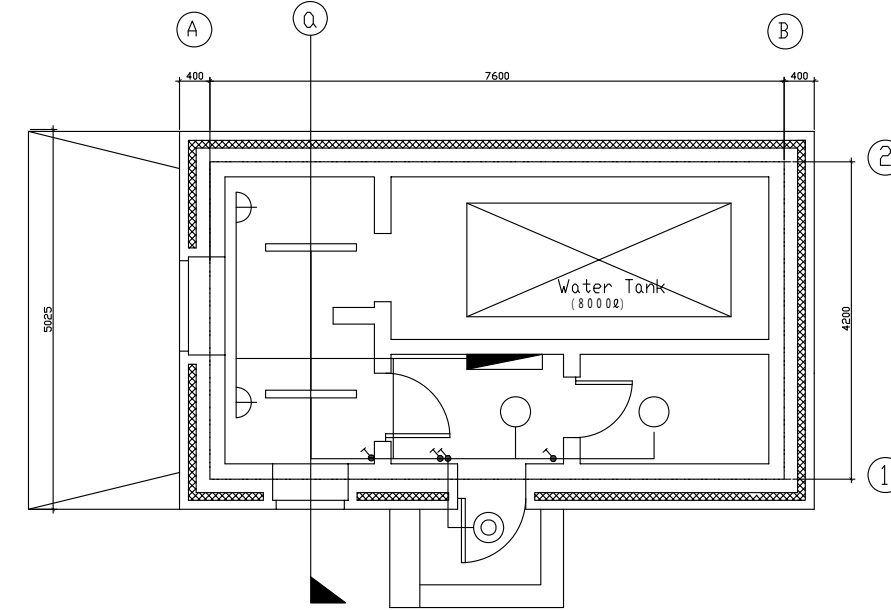
Title: Water Supply Facilities for Ger Area, Structure of Water Kiosk (1/2) Type A  
ゲル地区給水施設、給水キオスク構造図(1/2)、タイプA

Date : September . 08	Approved by : Prepared by :
Scale : Nonscale	No. 6 - 3 REV





PLAN



Lighting Equipment

- Distribution Panel
- Fluorescent Lamp (Applying type) FL40x2
- Incandescent Lamp (ceiling Naots type) 100W
- lighting (ceiling Naots type) 60W
- Outlet
- Blinking Machine

No	Date	Approved	Revised

The Basic Design on the Project for Improvement of Water Supply  
Facilities at Darkhan City in Mongolia  
モンゴル国ダルハン市給水施設改善計画基本設計調査  
Water Supply and Sewerage System Co. of Darkhan City

**JICA** JAPAN INTERNATIONAL COOPERATION AGENCY (JICA)  
**TEC** TOKYO ENGINEERING CONSULTANTS CO.,LTD, JAPAN

Title: Water Supply Facilities for Ger Area, Structure of Water Kiosk (2/2) Type B  
ゲル地区給水施設、給水キオスク構造図(2/2)、タイプB

Date : September . 08	Approved by : Prepared by :
Scale : Nonscale	No. 6 - 4 REV

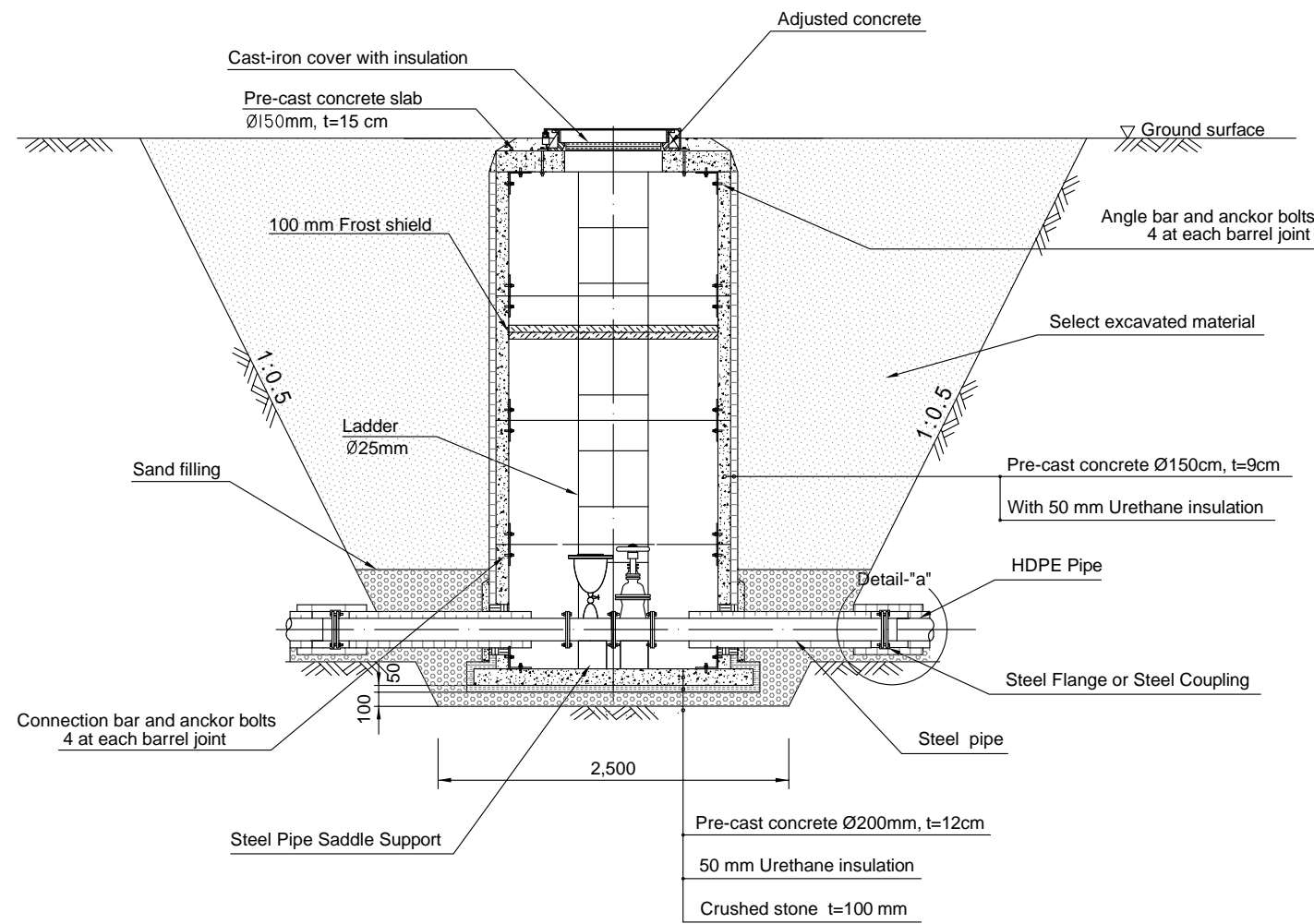






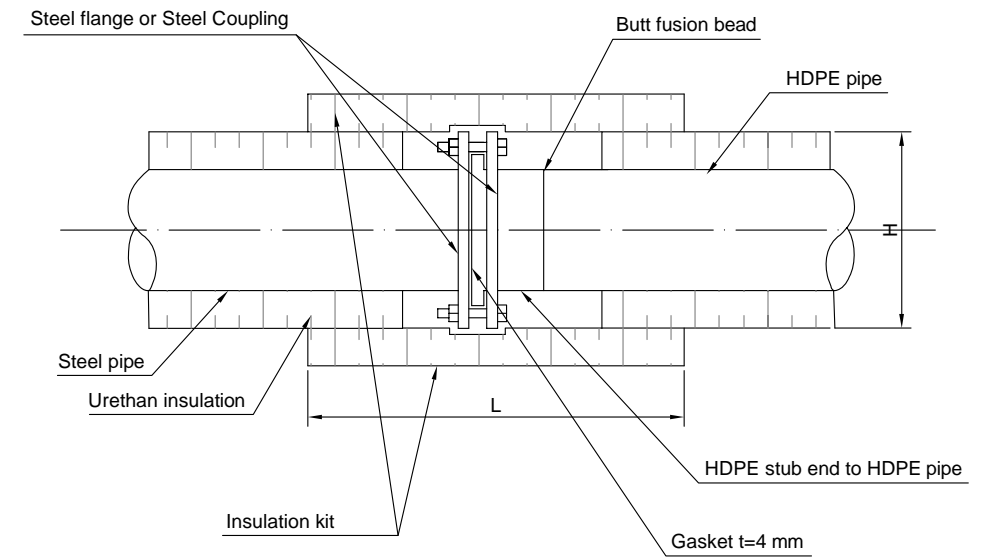


Section A-A

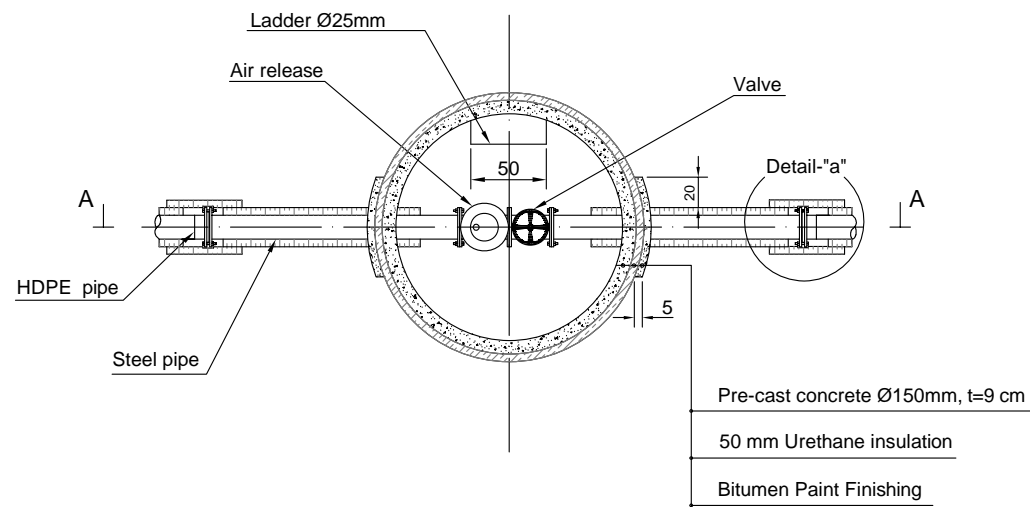


Detail-"a"

Detail of Connection Point



Detail of Manhole outside Finishing



Note:  
Typical Pipe arrangement in this manhole shall be adjusted at site piping plan.

No	Date	Approved	Revised

The Basic design on the Project for Improvement of Water Supply Facilities at Darkhan city in Mongolia  
 Монгол улс Гэрлэн хотын усны тэжээлийн гүйцэтгэл зөвшөөрлийн үйлчилгээний үйлчилгээний байр  
 Water Supply and Sewerage System Co. of Darkhan City

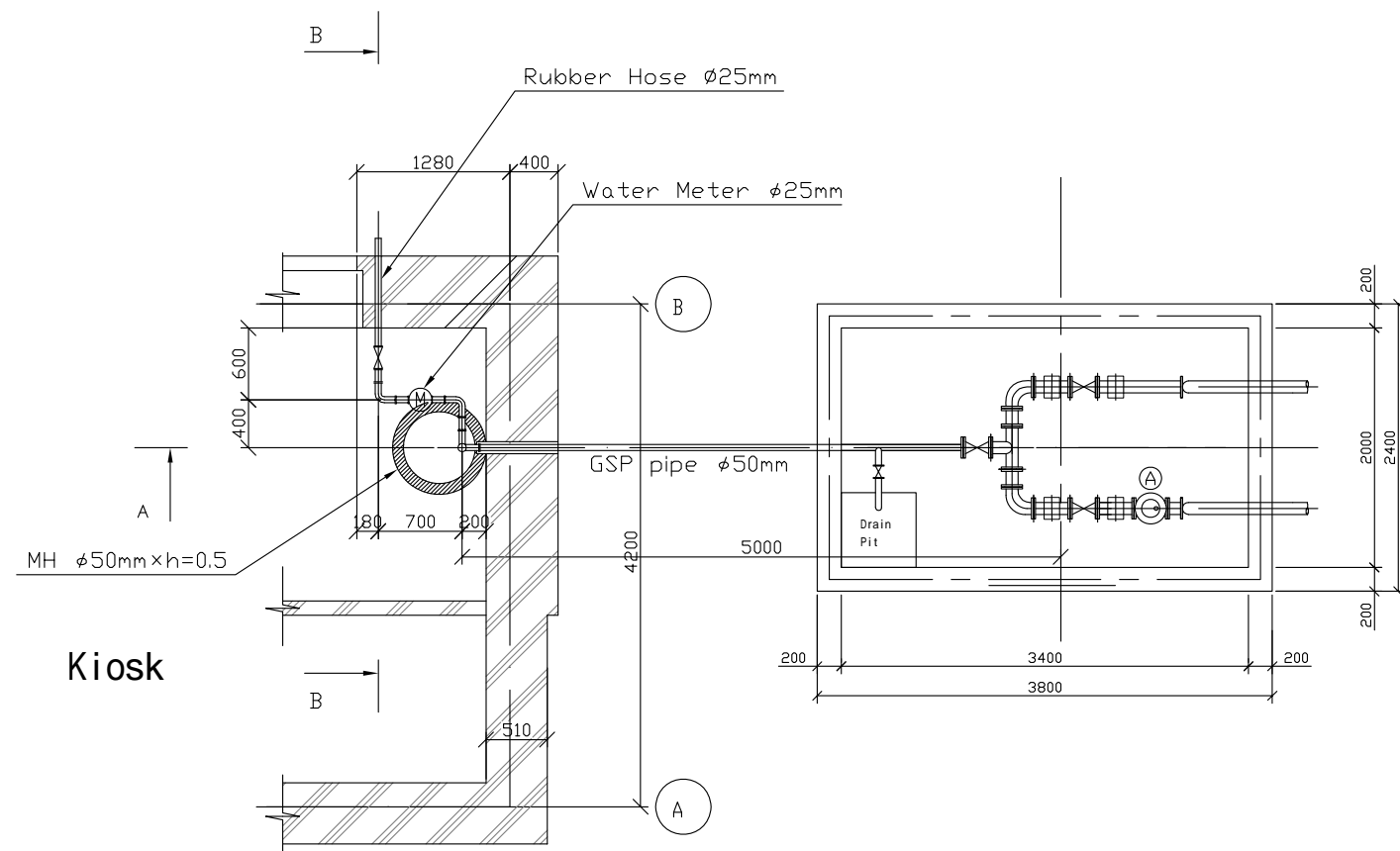
**JICA** JAPAN INTERNATIONAL COOPERATION AGENCY (JICA)  
**TEC** TOKYO ENGINEERING CONSULTANTS CO.,LTD, JAPAN

Title: Water Supply Facilities for Ger Area, Structure of Manhole (2/2) Type B  
 Гэрлэн хотын усны тэжээлийн гүйцэтгэл зөвшөөрлийн үйлчилгээний байр Манхуралын барилгын зураг (2/2), Тип Б

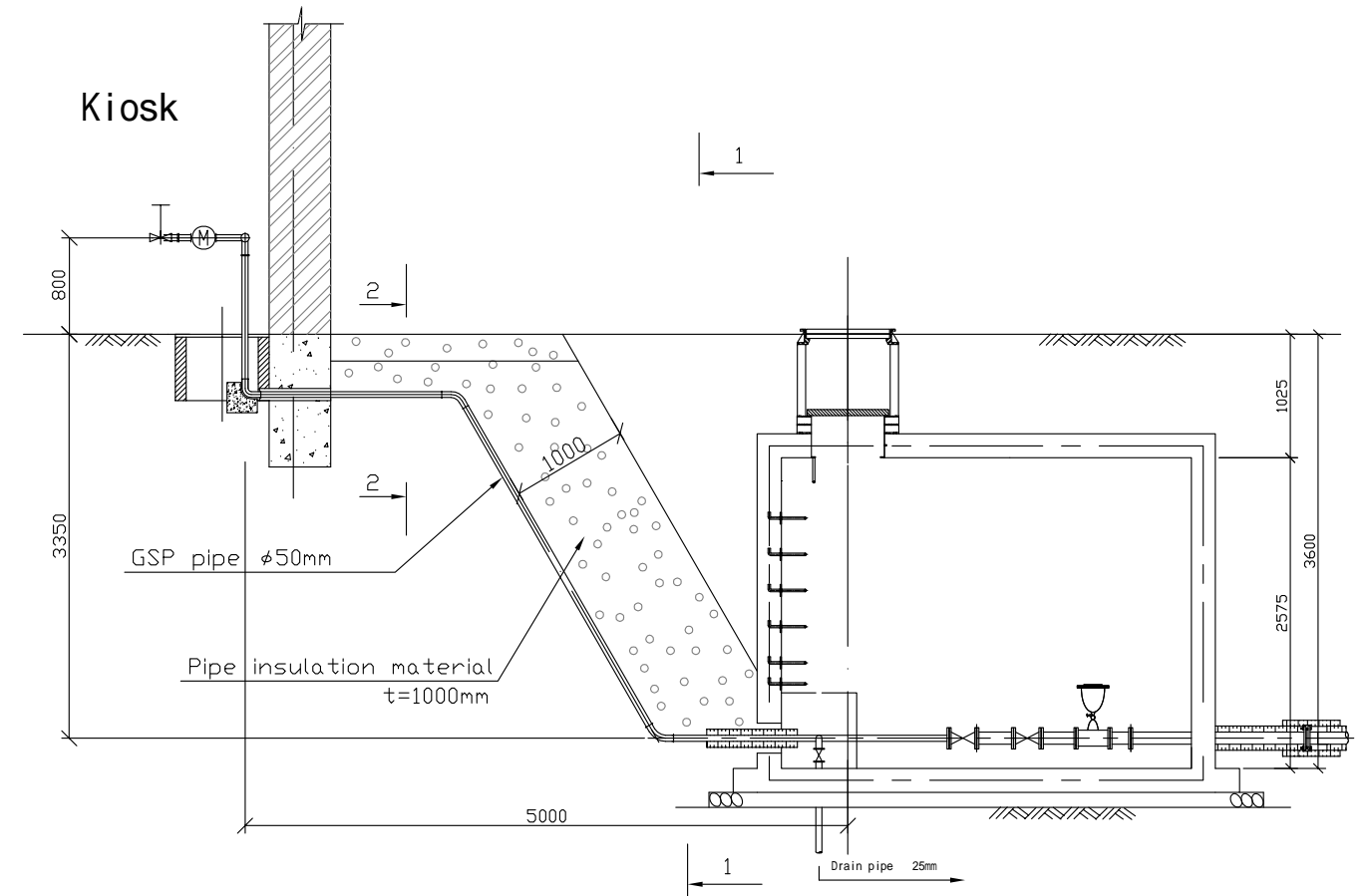
Date : September . 08	Approved by :	
Scale : Nonscale	Prepared by :	
	No. 6 - 6	REV <input type="checkbox"/>



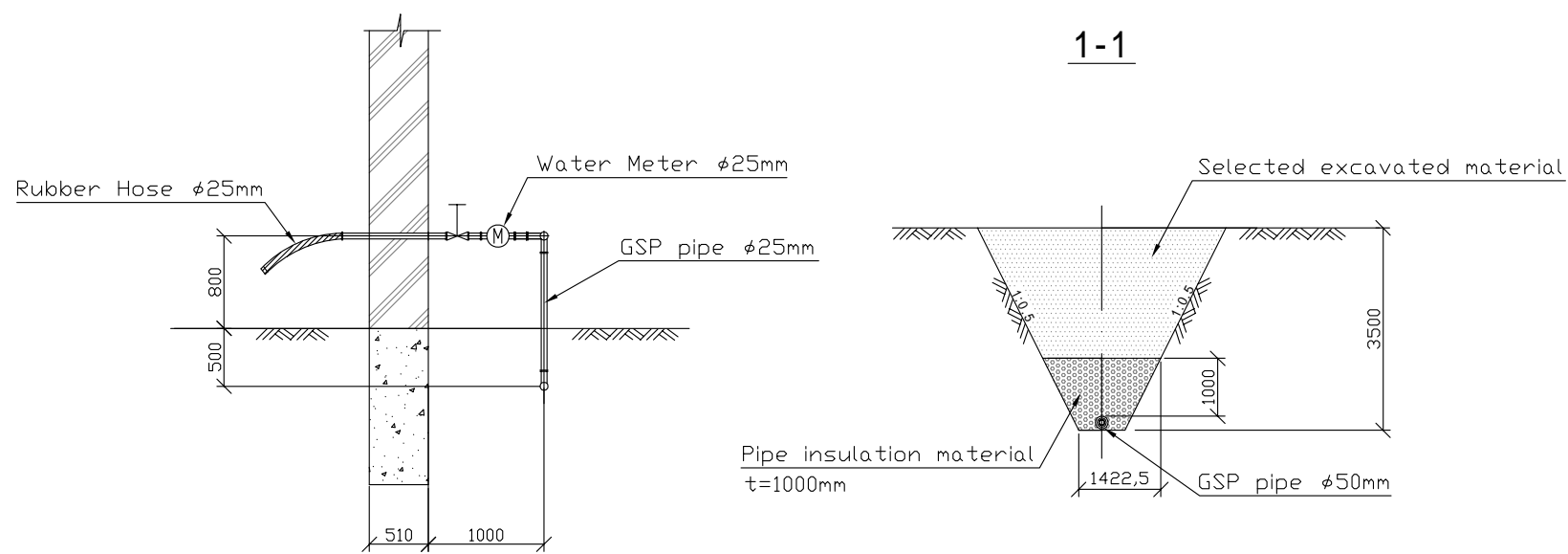
PLAN



Section A-A



Section B-B



No	Date	Approved	Revised

The Basic Design on the Project for Improvement of Water Supply Facilities at Darkhan City in Mongolia  
 Монгол Улс Галхан Шигэр Гэрээний Хэрэгсэл Гүйцэтгэх Засаг Зам Төрийн Хөгжлийн Газар  
 Water Supply and Sewerage System Co. of Darkhan City

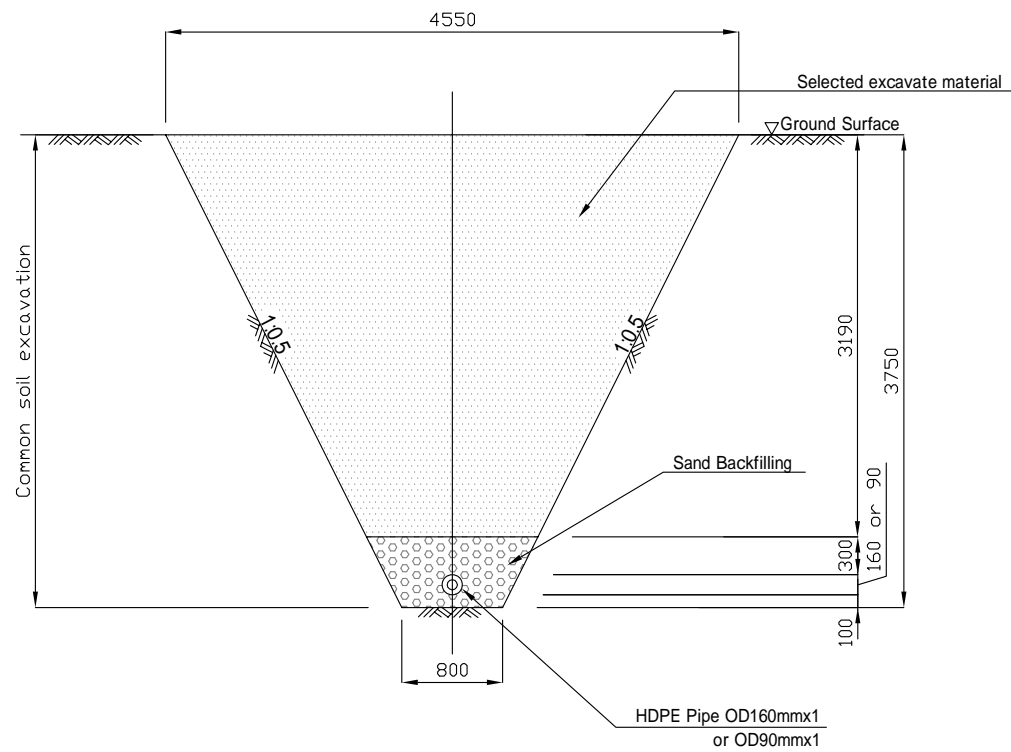
**JICA** JAPAN INTERNATIONAL COOPERATION AGENCY (JICA)  
**TEC** TOKYO ENGINEERING CONSULTANTS CO.,LTD, JAPAN

Title: Water Supply Facilities for Ger Area, Kiosk Connection  
 Гэрлүүдийн Гэрээний Хэрэгсэл Гүйцэтгэх Засаг Зам Төрийн Хөгжлийн Газар

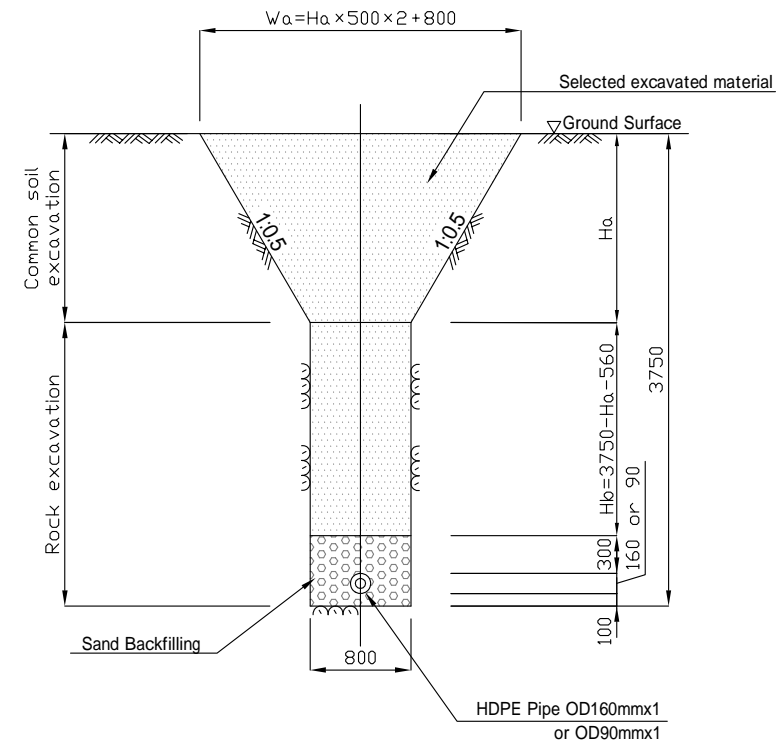
Date: September . 08	Approved by:
Scale: Nonscale	Prepared by:
No. 6 - 7	REV



Single Pipe Laying  
Section of Common Soil

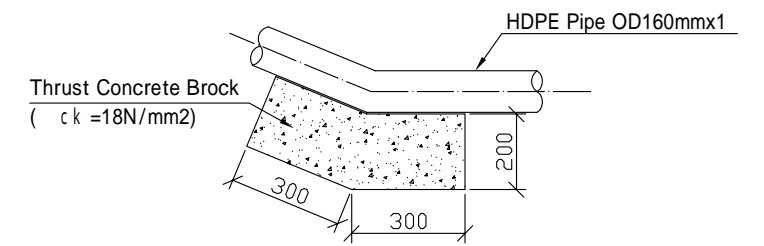


Single Pipe Laying  
Section of Common Soil and Rocky Soil

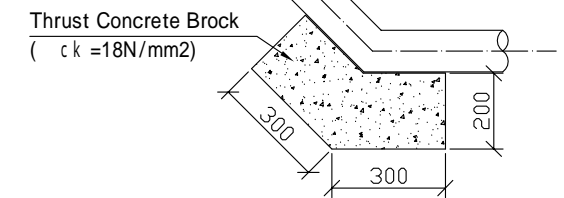


Detail of Thrust Block

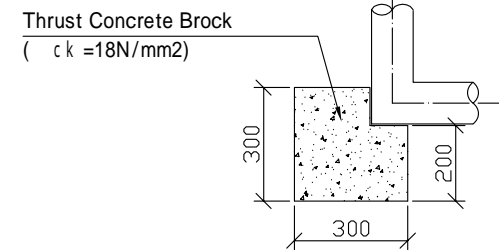
Bending Pipe OD160mm & OD90mm x 22.5°(22.5°Bend)



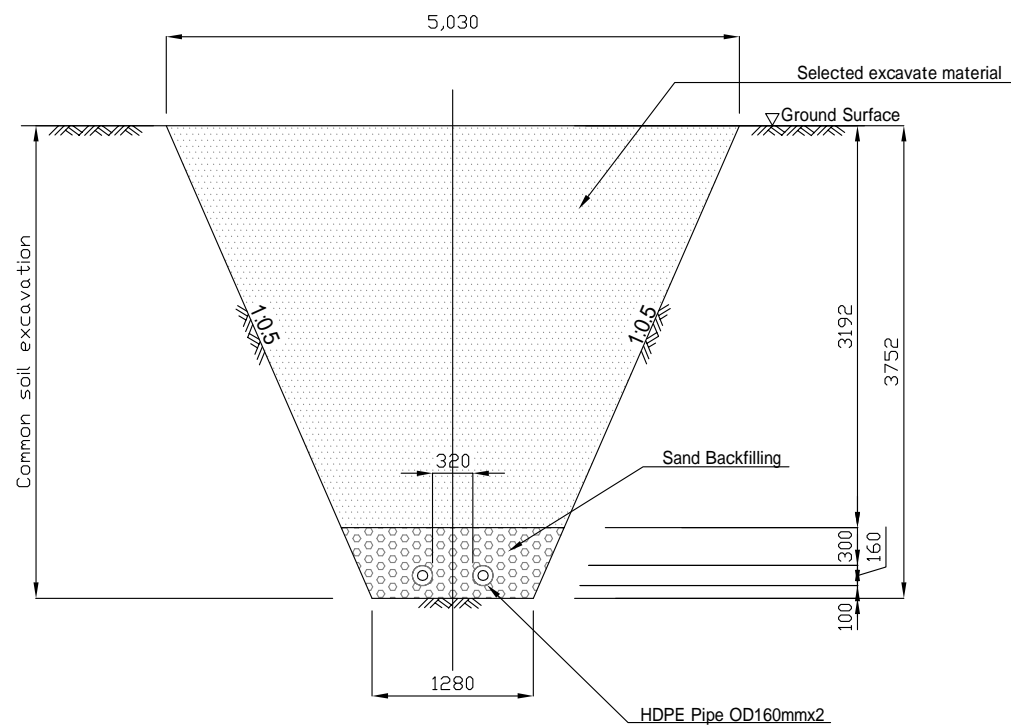
Bending Pipe OD160mm & OD90mm x 45°(45°Bend)



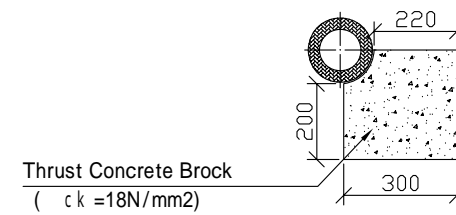
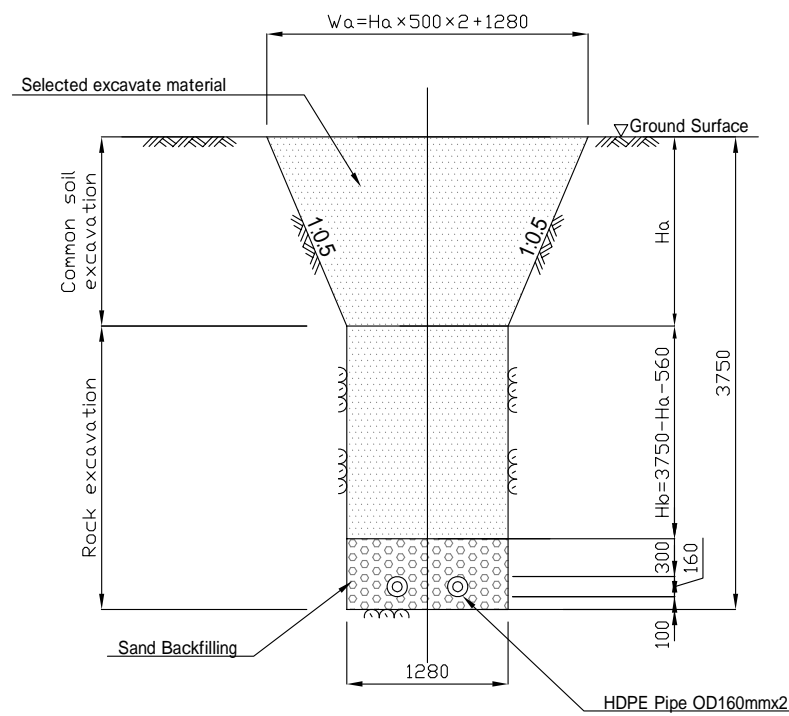
Bending Pipe OD160mm & OD90mm x 90°(90°Bend)



Double Pipe Laying  
Section of Common Soil



Double Pipe Laying  
Section of Common Soil and Rocky Soil



No	Date	Approved	Revised

The Basic Design on the Project for Improvement of Water Supply  
Facilities at Darkhan City in Mongolia  
モンゴル国ダールハン市給水施設改善計画基本設計調査  
Water Supply and Sewerage System Co. of Darkhan City

JICA JAPAN INTERNATIONAL COOPERATION AGENCY (JICA)  
TEC TOKYO ENGINEERING CONSULTANTS CO.,LTD, JAPAN

Title: Water Supply Facilities for Ger Area,  
Typical Cross Section of Pipeline Trench  
ゲル地区給水施設、管路標準断面図

Date: September, 08  
Scale: Nonscale  
Approved by:  
Prepared by:  
No. 6 - 8

REV

