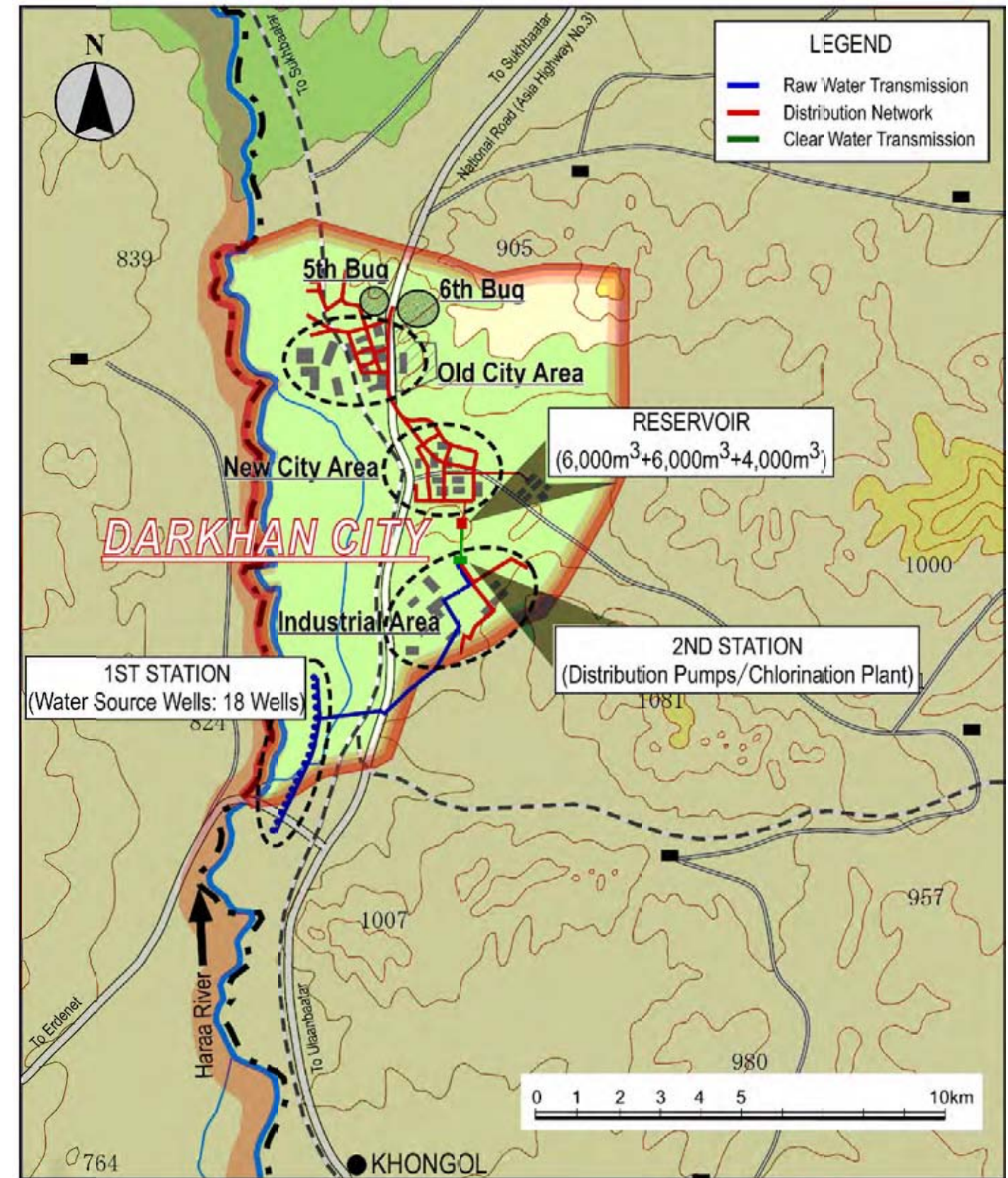


添付資料- 6 基本設計図面集

基本設計図面リスト

番号	施設	タイトル
1.1		プロジェクト位置図
2.1	第1ステーション	既設ポンプ場改修図(1/2), No.1, No.3, No.7, No.11 井戸
2.2		既設ポンプ場改修図(2/2), No.12, No.13, No.14, No.16, No.17, No.18 井戸
2.3		導水管路量水計設置計画図
2.4	第1・第2ステーション	第1・第2ステーション単線結線図
3.1	第2ステーション	既存施設配置図
3.2		送水ポンプ更新計画図
3.3		配水池水位計及び配水管路量水計設置計画図
4.1	塩素滅菌設備	フロー図
4.2		設置図
5.1	遠隔操作装置	フロー図
6.1	ゲル地区給水施設	給水施設配置図(1/2), 第5バグ
6.2		給水施設配置図(2/2), 第6バグ
6.3		給水キオスク構造図(1/2), タイプA
6.4		給水キオスク構造図(2/2), タイプB
6.5		マンホール構造図(1/2), タイプA
6.6		マンホール構造図(2/2), タイプB
6.7		給水キオスク接続図
6.8		管路標準断面図



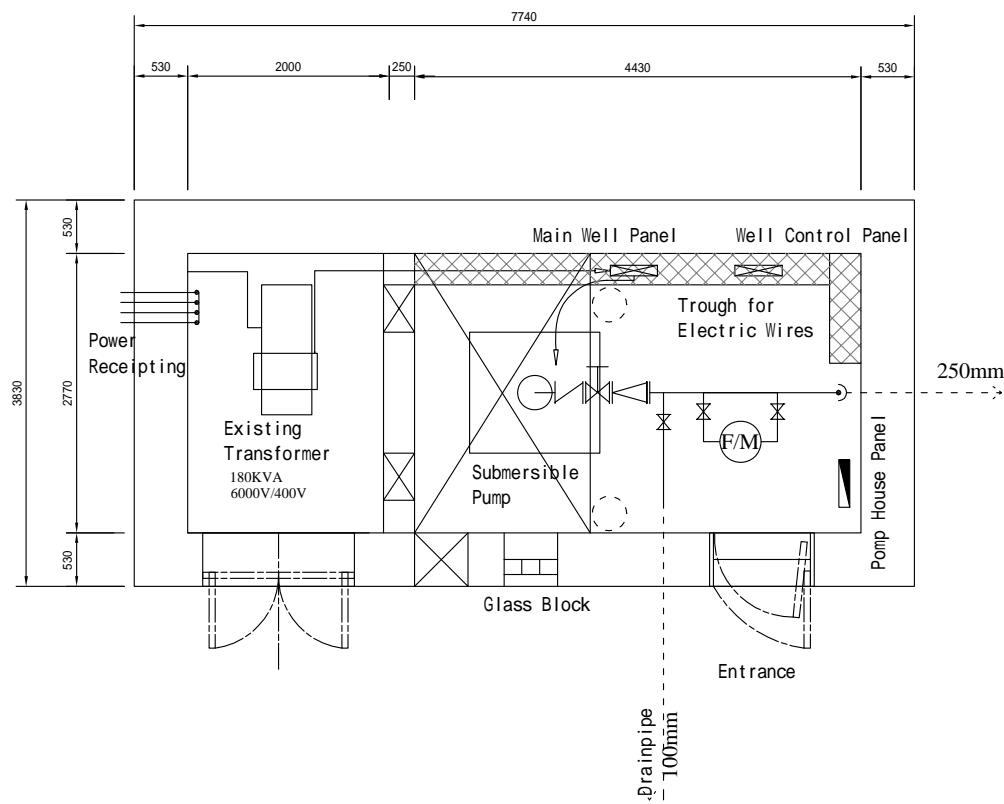
No.	Date	Approved	Revised

The Basic Design on the Project for Improvement of Water Supply Facilities at Darkhan City in Mongolia
 Монгол Улс Дархан хотын Гэрэлт сумын харьяат иргэдэд урьдчилсан гэрээгээр хэрэгжүүлж байгаа "Хэрэгжүүлэх" үйлчилгээний төлөвлөгөөний үндсэн дээр
 Water Supply and Sewerage System Co. of Darkhan City

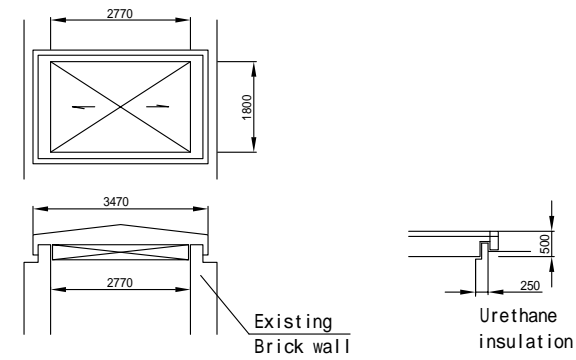
JICA JAPAN INTERNATIONAL COOPERATION AGENCY (JICA)
TEC TOKYO ENGINEERING CONSULTANTS CO.,LTD, JAPAN

Title : Project Location Map
 プロジェクト位置図

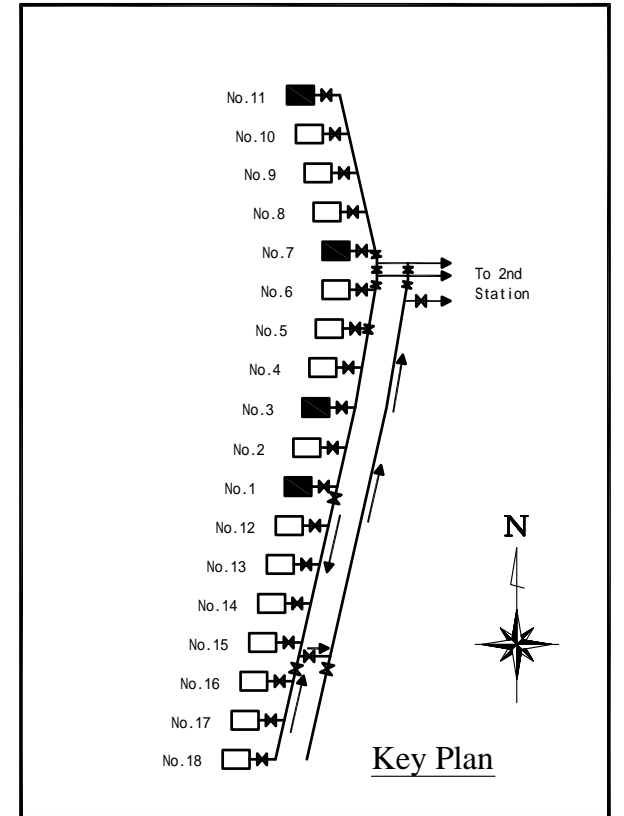
Date : September . 08	Approved by :
Scale : Nonscale	Prepared by :
No. 1 - 1	REV



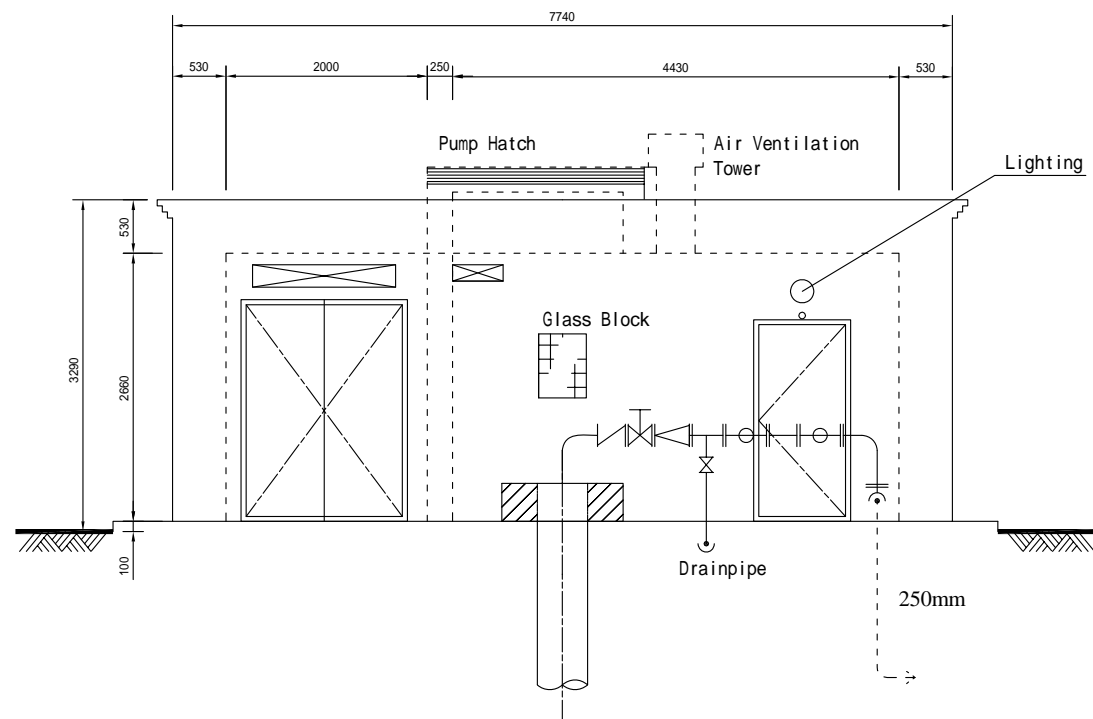
PLAN



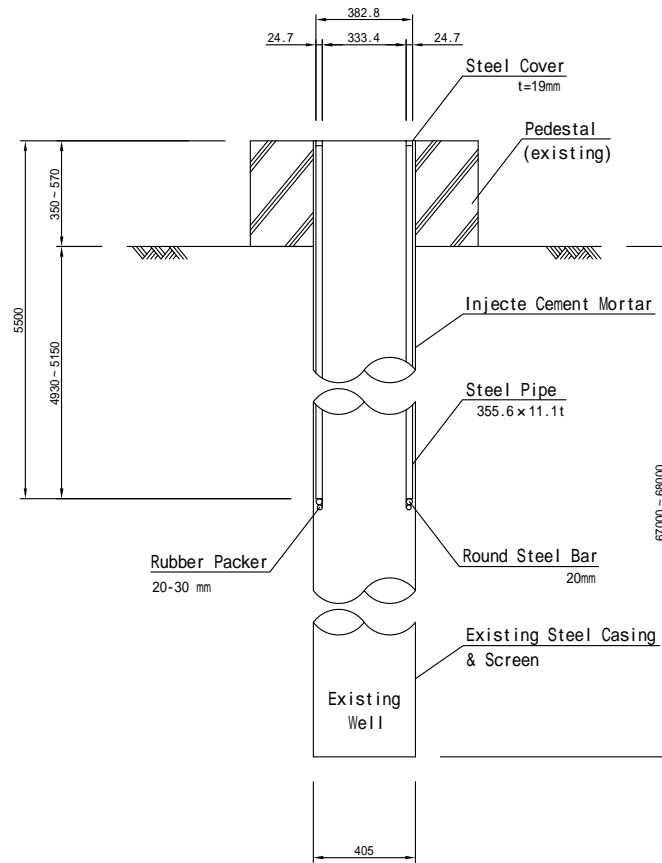
Detail of Pump Hatch



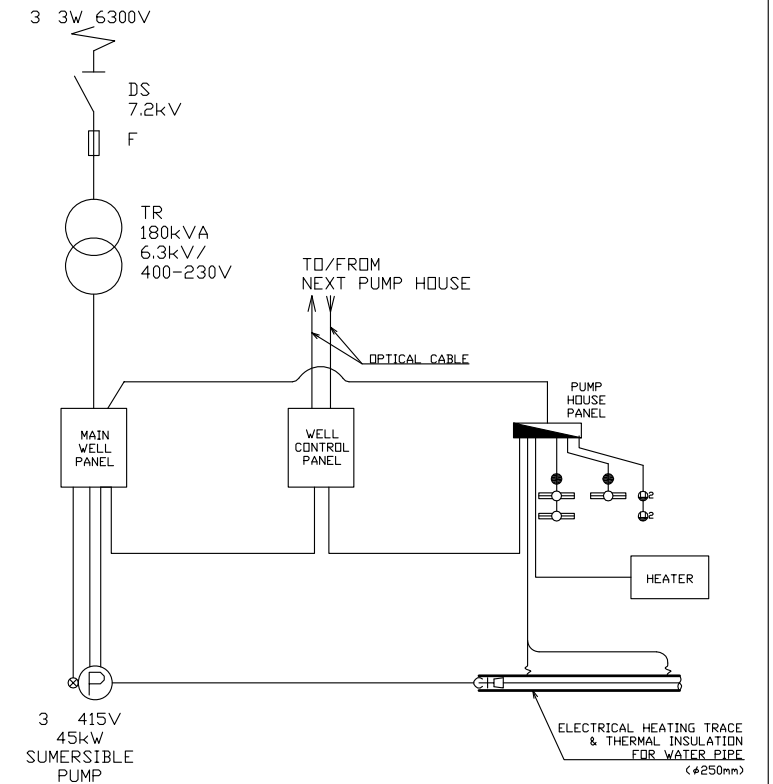
Key Plan



ELEVATION



Rehabilitation of Existing Tubewell
(Nos. 1, 3, 7 & 11 Pumps)



SCHEMATIC DIAGRAM

No	Date	Approved	Revised

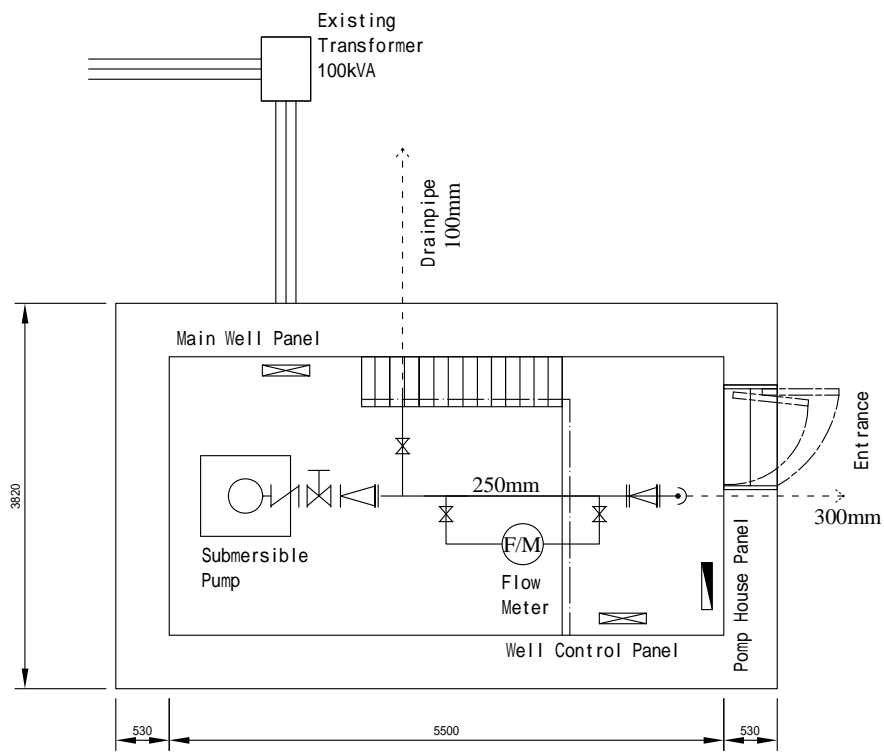
The Basic Design on the Project for Improvement of Water Supply
Facilities at Darkhan City in Mongolia
モンゴル国ダルハン市給水施設改善計画基本設計調査
Water Supply and Sewerage System Co. of Darkhan City



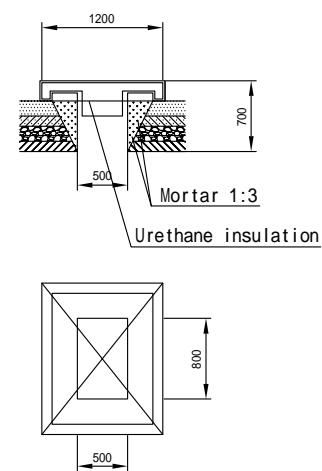
JAPAN INTERNATIONAL COOPERATION
AGENCY (JICA)
TOKYO ENGINEERING CONSULTANTS
CO.,LTD, JAPAN

Title: 1st Station, Rehabilitation of Existing
Pump House (1/2), Nos. 1, 3, 7 & 11 Wells
第1ステーション、既存ポンプ場改修図(1/2)、
井戸1、3、7、及び11

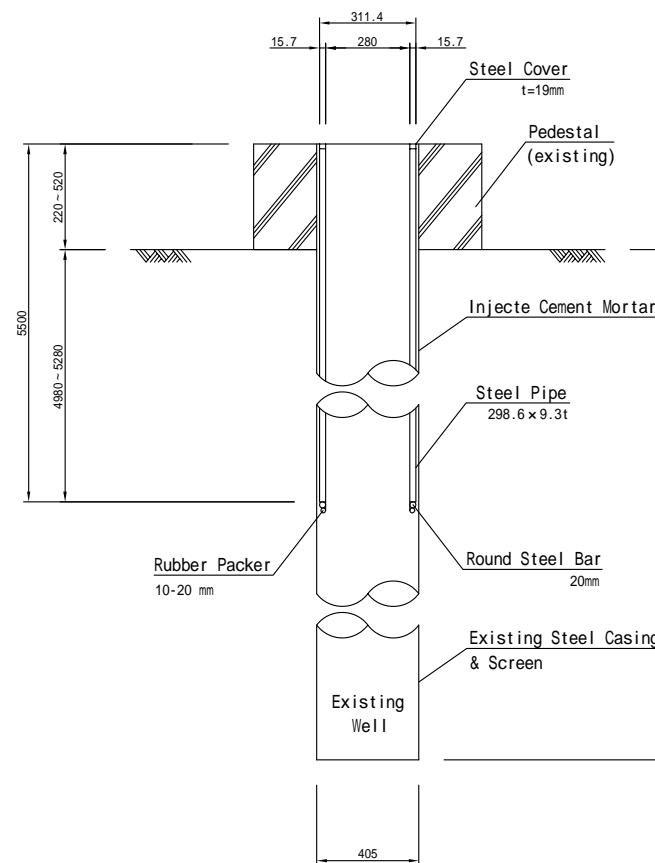
Date : September . 08	Approved by : Prepared by :
Scale : Nonscale	No. 2 - 1 REV



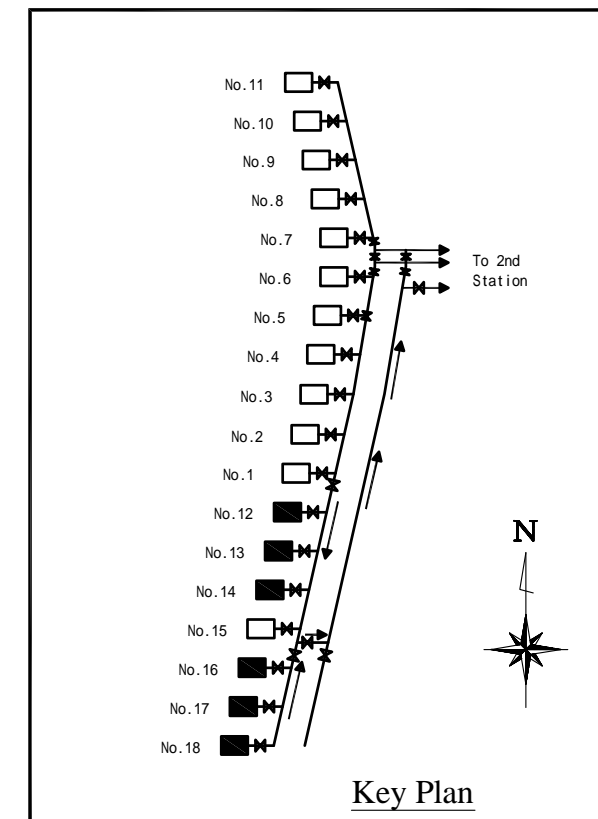
PLAN



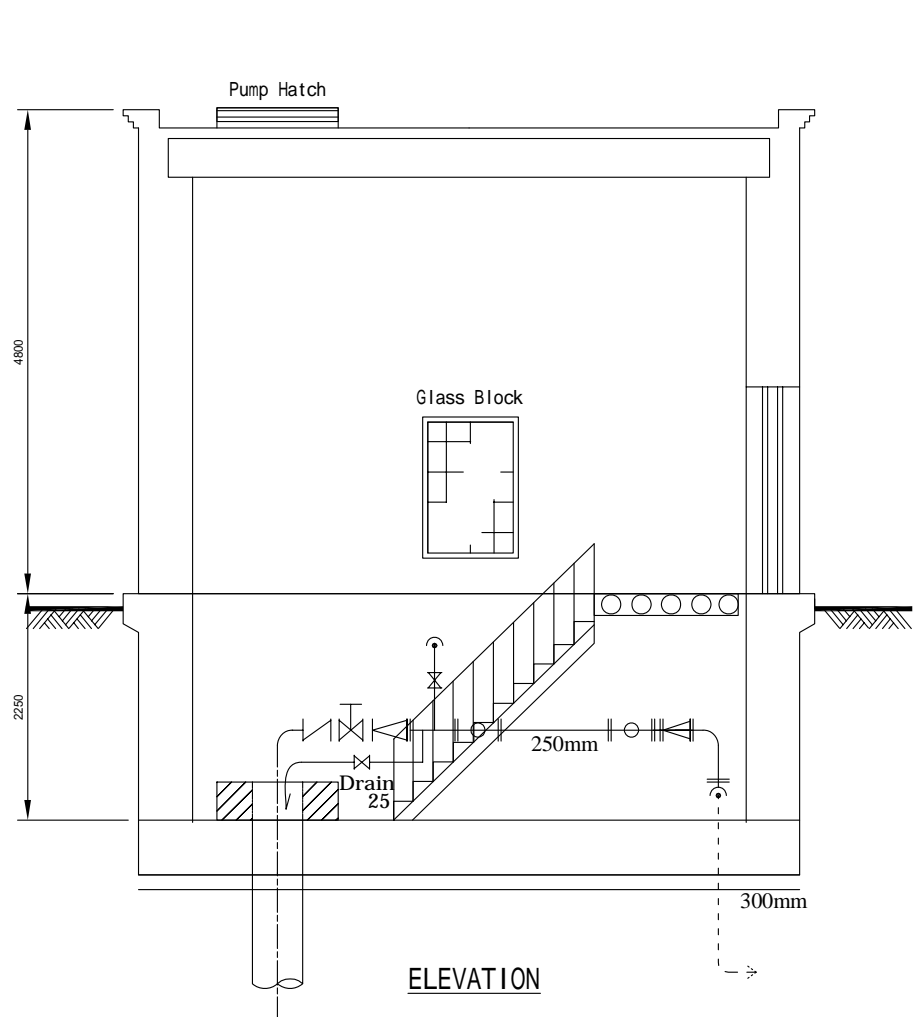
Detail of Pump Hatch



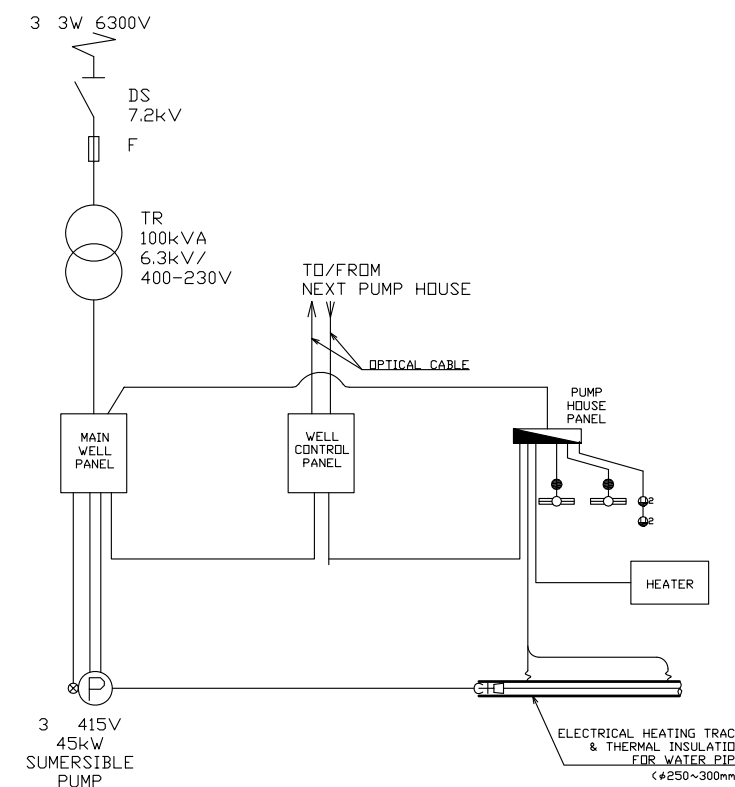
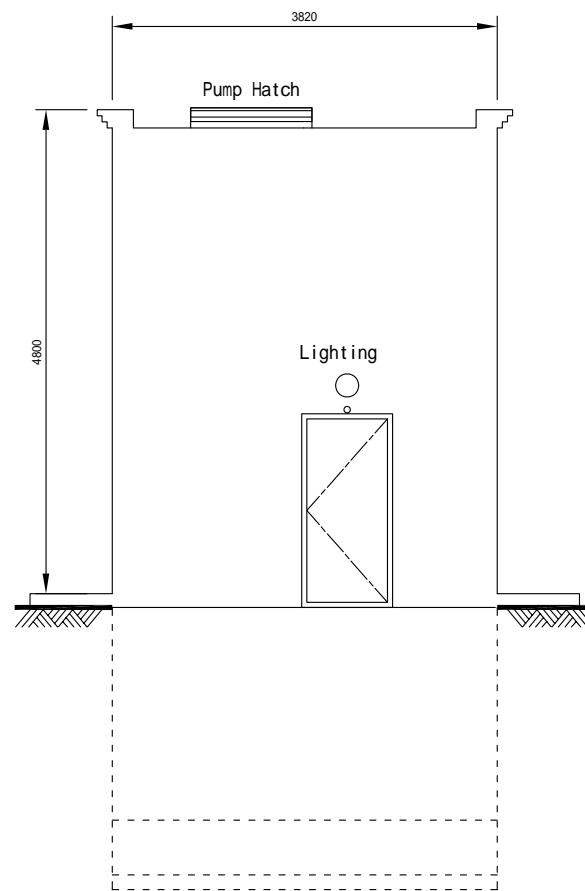
Rehabilitation of Existing Tubewell
(Nos. 16 & 18 Pumps)



Key Plan



ELEVATION



SCHEMATIC DIAGRAM

No	Date	Approved	Revised

The Basic Design on the Project for Improvement of Water Supply
Facilities at Darkhan City in Mongolia
モンゴル国ダルハン市給水施設改善計画基本設計調査
Water Supply and Sewerage System Co. of Darkhan City

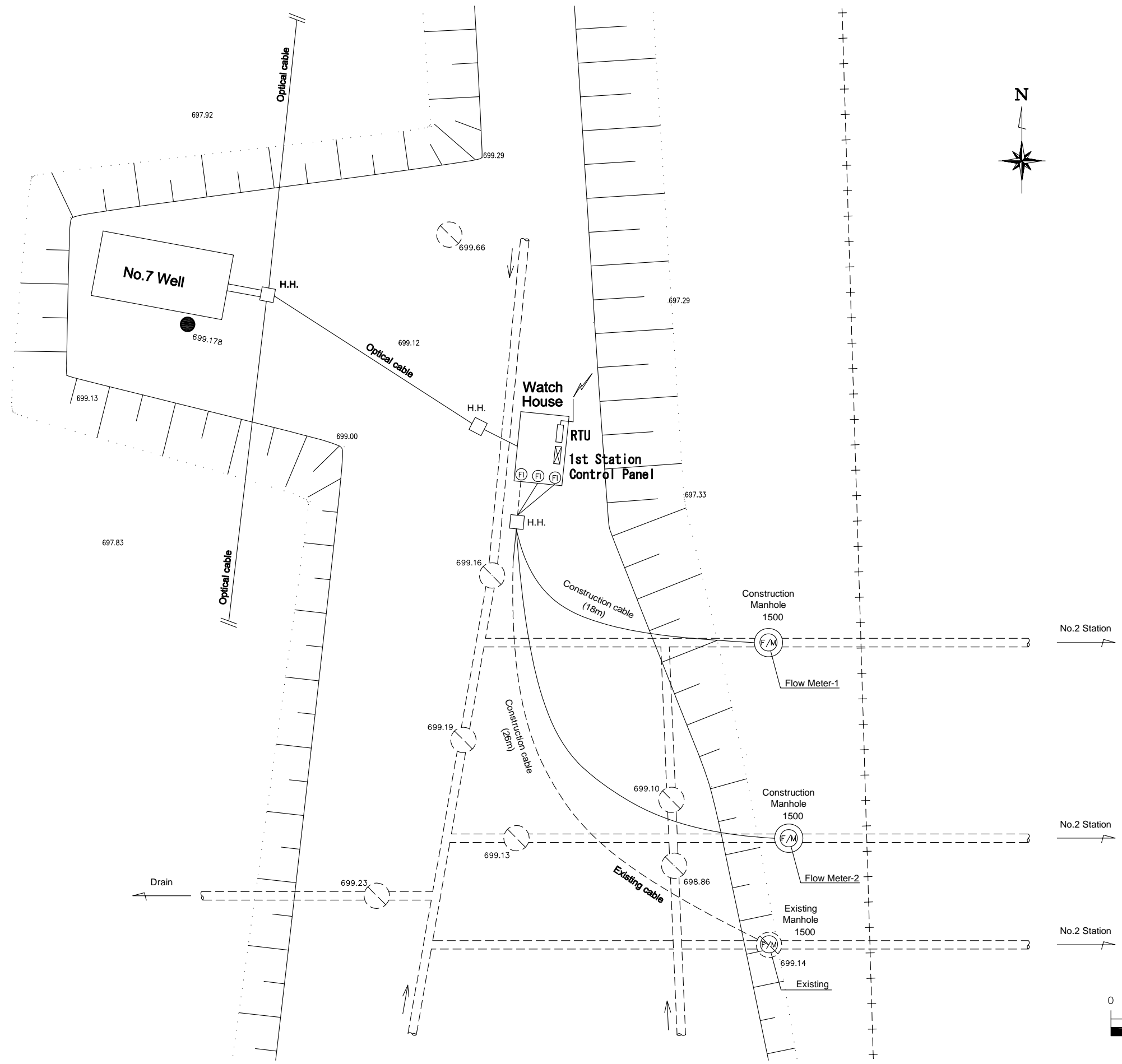
JICA JAPAN INTERNATIONAL COOPERATION AGENCY (JICA)
TEC TOKYO ENGINEERING CONSULTANTS CO.,LTD, JAPAN

Title: 1st Station, Rehabilitation of Existing Pump House (2/2), Nos. 12, 13, 14, 16, 17 & 18 Wells
第1ステーション、既存ポンプ場改修図(2/2)、井戸12、13、14、16、17及び18

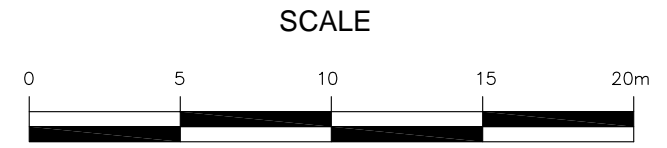
Date: September. 08
Scale: Nonscale

Approved by:
Prepared by:
No. 2 - 2

REV



LEGENDS	
	Construction Cable
	Existing Pipe
	Existing Cable
	Fence
	Bench Mark
	Slope
	Manhole
	Hand hole



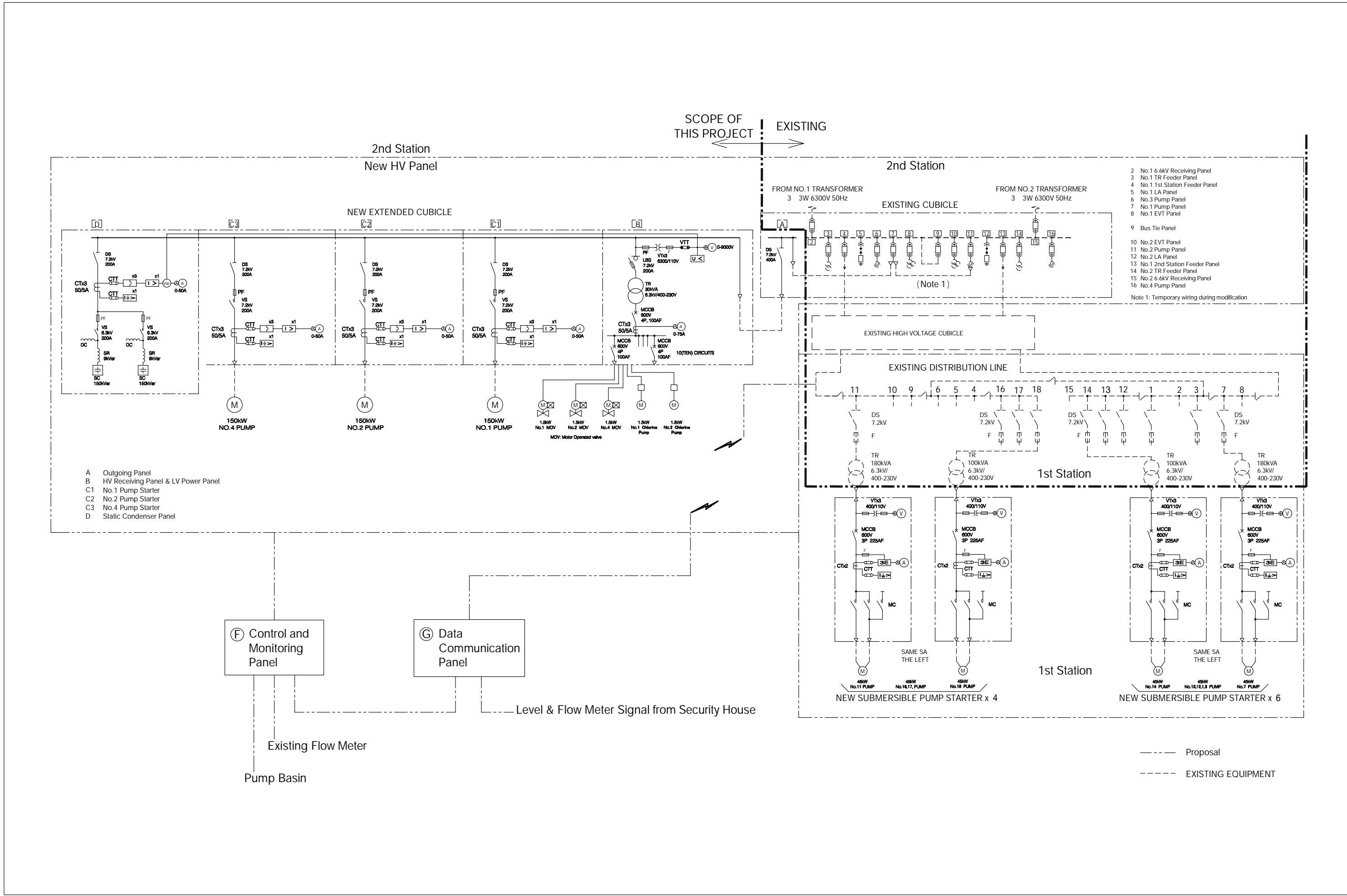
No	Date	Approved	Revised

The Basic Design on the Project for Improvement of Water Supply Facilities at Darkhan City in Mongolia
 Монгол Улс Дархан хотын ГХС-ийн гүйцэтгэлийн үндсэн төлөвлөгөө
 Water Supply and Sewerage System Co. of Darkhan City

JICA JAPAN INTERNATIONAL COOPERATION AGENCY (JICA)
TEC TOKYO ENGINEERING CONSULTANTS CO.,LTD, JAPAN

Title: **1st Station, Installation Plan of Flow Meters for Raw Water Transmission**
 第1ステーション、導水管路量水計設置計画図

Date : September . 08	Approved by : Prepared by :
Scale : Nonscale	No. 2 - 3 REV



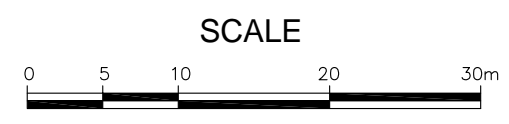
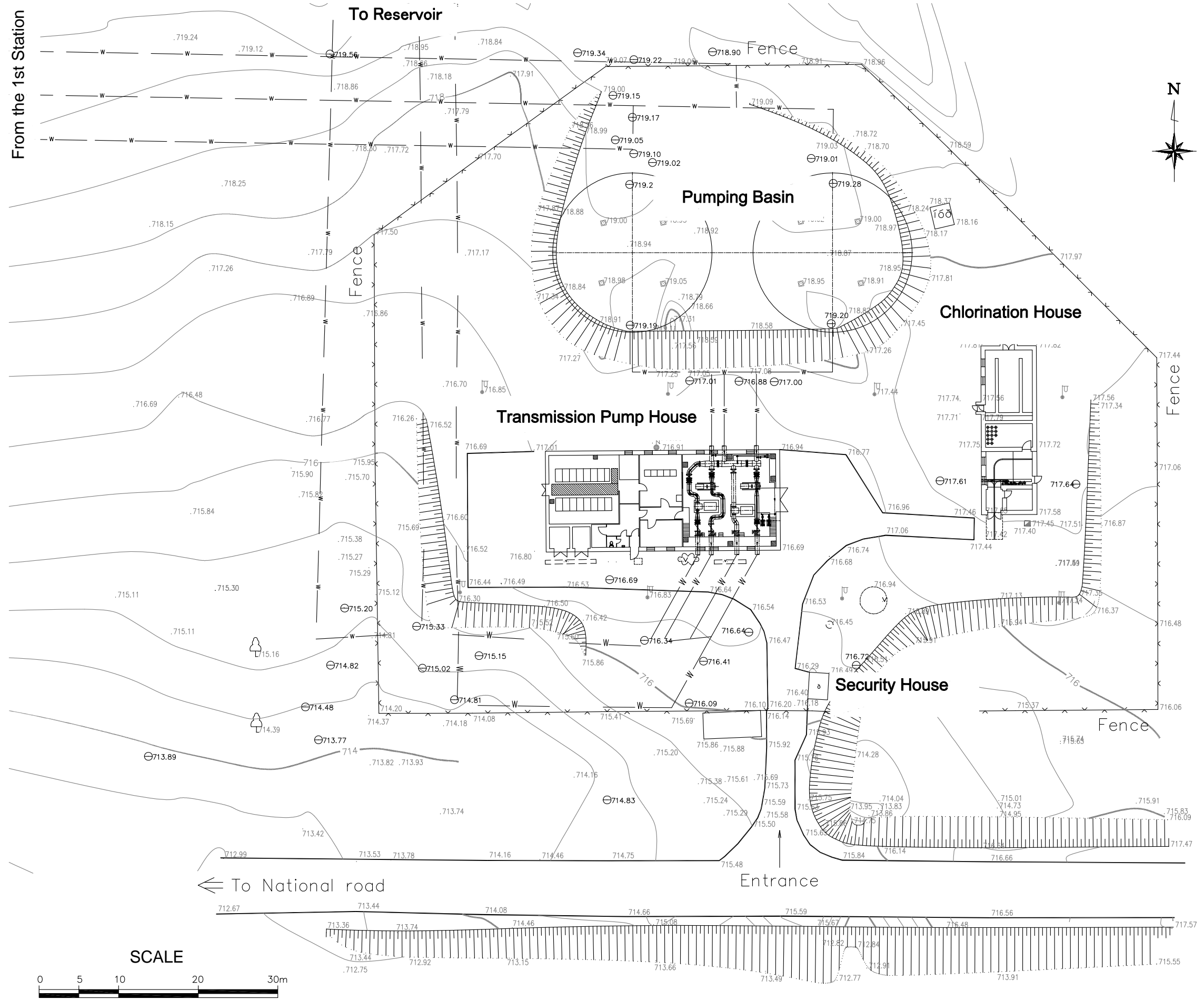
No.	Date	Approved	Revised

The Basic Design on the Project for Improvement of Water Supply Facilities at Darkhan City in Mongolia
 Монгол Улс Дархан хотын ус хангамж системийг сайжруулах төслийн үндсэн төлөвлөгөө
 Water Supply and Sewerage System Co. of Darkhan City

JICA JAPAN INTERNATIONAL COOPERATION AGENCY (JICA)
 TEC TOKYO ENGINEERING CONSULTANTS CO.,LTD, JAPAN

Title : 1st & 2nd Stations, Single Line Diagram
 第1・第2ステーション、単線結線図

Date : September . 08
 Approved by :
 Prepared by :
 Scale : Nonscale
 No. 2 - 4
 REV



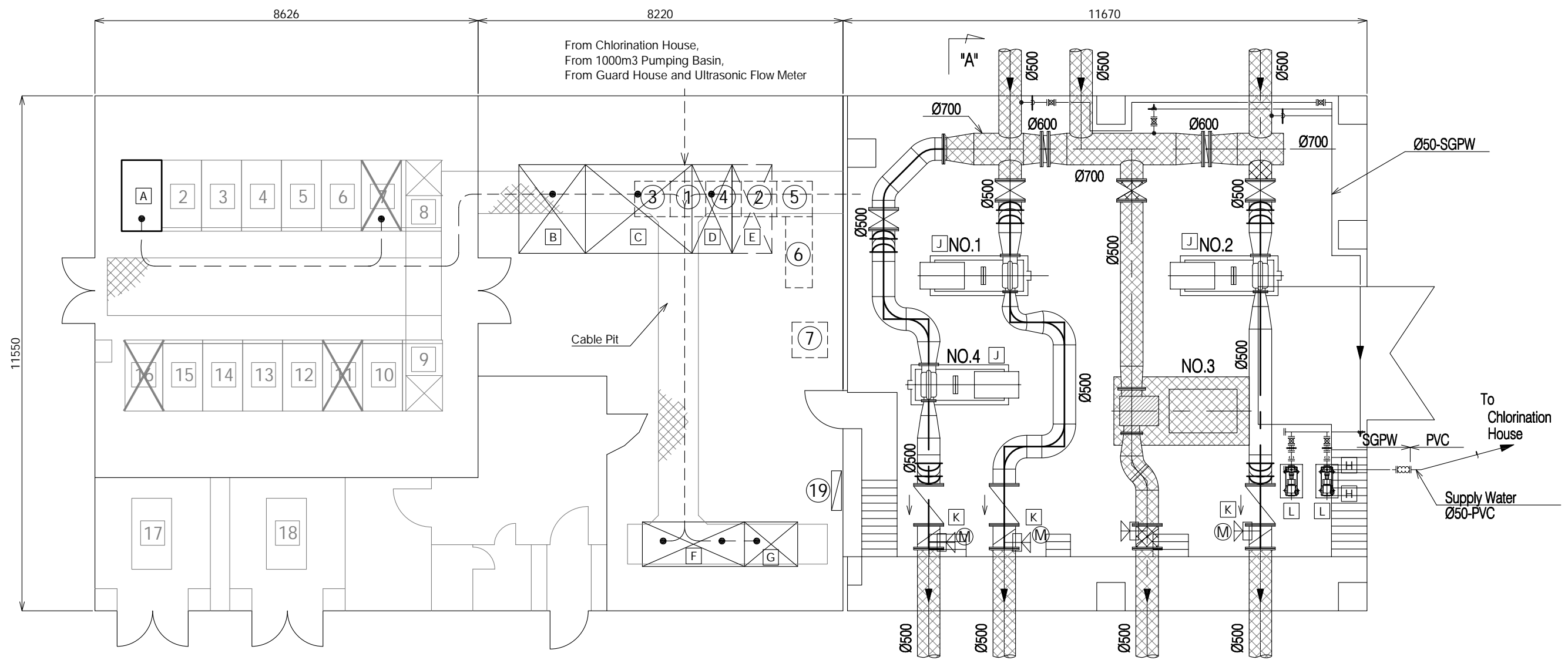
No.	Date	Approved	Revised

The Basic Design on the Project for Improvement of Water Supply Facilities at Darkhan City in Mongolia
 Монгол Улс Дархан хотын ГХС-ийн гүйцэтгэл зөвшөөрлийн үйлчилгээний байрны төлөвлөгөөний үндсэн зураг
 Water Supply and Sewerage System Co. of Darkhan City

JICA JAPAN INTERNATIONAL COOPERATION AGENCY (JICA)
TEC TOKYO ENGINEERING CONSULTANTS CO.,LTD, JAPAN

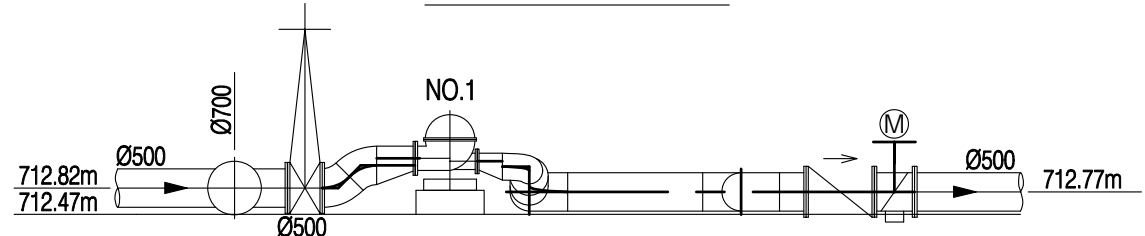
Title : 2nd Station, Layout of Existing Facilities
 第2ステーション、既存施設配置図

Date : September . 08
 Approved by :
 Prepared by :
 Scale : Nonscale
 No. 3 - 1
 REV



- : Existing Pump & Pipe
- : Proposed Pumps & Pipes
- : Cable Wiring
- : Cable Termination Point (Terminal)

SECTION "A"- "A"



Existing Panel & Panel To Be Removed				Newly Installed Panel		Newly Installed Panel	
No.	Name	No.	Name	No.	Name	No.	Name
2	No.1 6.6kV Receiving Panel	11	No.2 Pump Panel	1	No.1 Auxiliary Panel	A	HV Outgoing Panel
3	No.1 TR Feeder Panel	12	No.2 LA Panel	2	No.2 Auxiliary Panel	B	HV Incoming & LV Power Panel
4	No.1 1st Station Feeder Panel	13	No.1 2nd Station Feeder Panel	3	No.3 Auxiliary Panel	C	No.1, 2, 4 Pump Starter Panel
5	No.1 LA Panel	14	No.2 TR Feeder Panel	4	No.4 Auxiliary Panel	D	Static Condenser Panel
6	No.3 Pump Panel	15	No.2 6.6kV Receiving Panel	5	Instruments Panel	E	No.3 Pump Starter Panel (Future)
7	No.1 Pump Panel	16	No.4 Pump Panel	6	Remote Control Panel	F	Control & Monitoring Panel
8	No.1 EVT Panel	17	No.1 Transformer	7	Instruments Panel	G	Data Signal Transmission Panel
9	Bus Tie Panel	18	No.2 Transformer		Refer to DWG.No.3-2	H	Chlorine Pump Starter
10	No.2 EVT Panel	19	Pump House Panel				

NOTE: 1) Operation Stop. 2) Scope of Replacement Work. (Refer to DWG.No.3-2) 3) Chlorine pump will be installed under the stage of entrance.

No.	Date	Approved	Revised

The Basic Design on the Project for Improvement of Water Supply Facilities at Darkhan City in Mongolia
 Монгол Улс Дархан хотын ГХС-ийн усан хэрэгсэл гүйцэтгэх ажлын үндсэн төлөвлөгөө
 Water Supply and Sewerage System Co. of Darkhan City

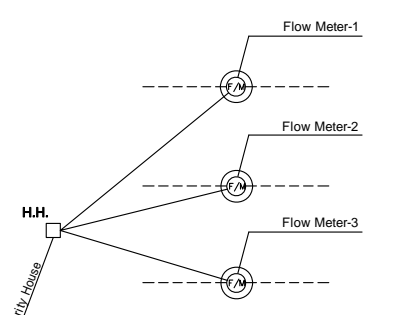
JICA JAPAN INTERNATIONAL COOPERATION AGENCY (JICA)
TEC TOKYO ENGINEERING CONSULTANTS CO.,LTD, JAPAN

Title : 2nd Station, Rehabilitation Plan of Pump House
 第2ステーション、送水ポンプ更新計画図

Date : September . 08
 Approved by :
 Scale : Nonscale
 Prepared by :
 No. 3 - 2
 REV



Detail - "a"

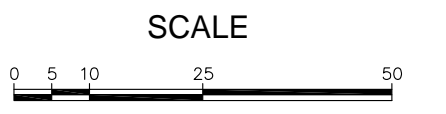


OPTICAL CABLE

- (1) Level analogue signal 4 - 20 mADC x 4 points
- (2) Level meter fault signal Voltage-free contact x 4 points
- (3) Flow rate pulse signal x 3 points
- (4) Flow meter fault signal Voltage free contact x 3 points

LEGEND

- : Water Level Gauge
- ⊗ : Ultrasonic Flow Meter



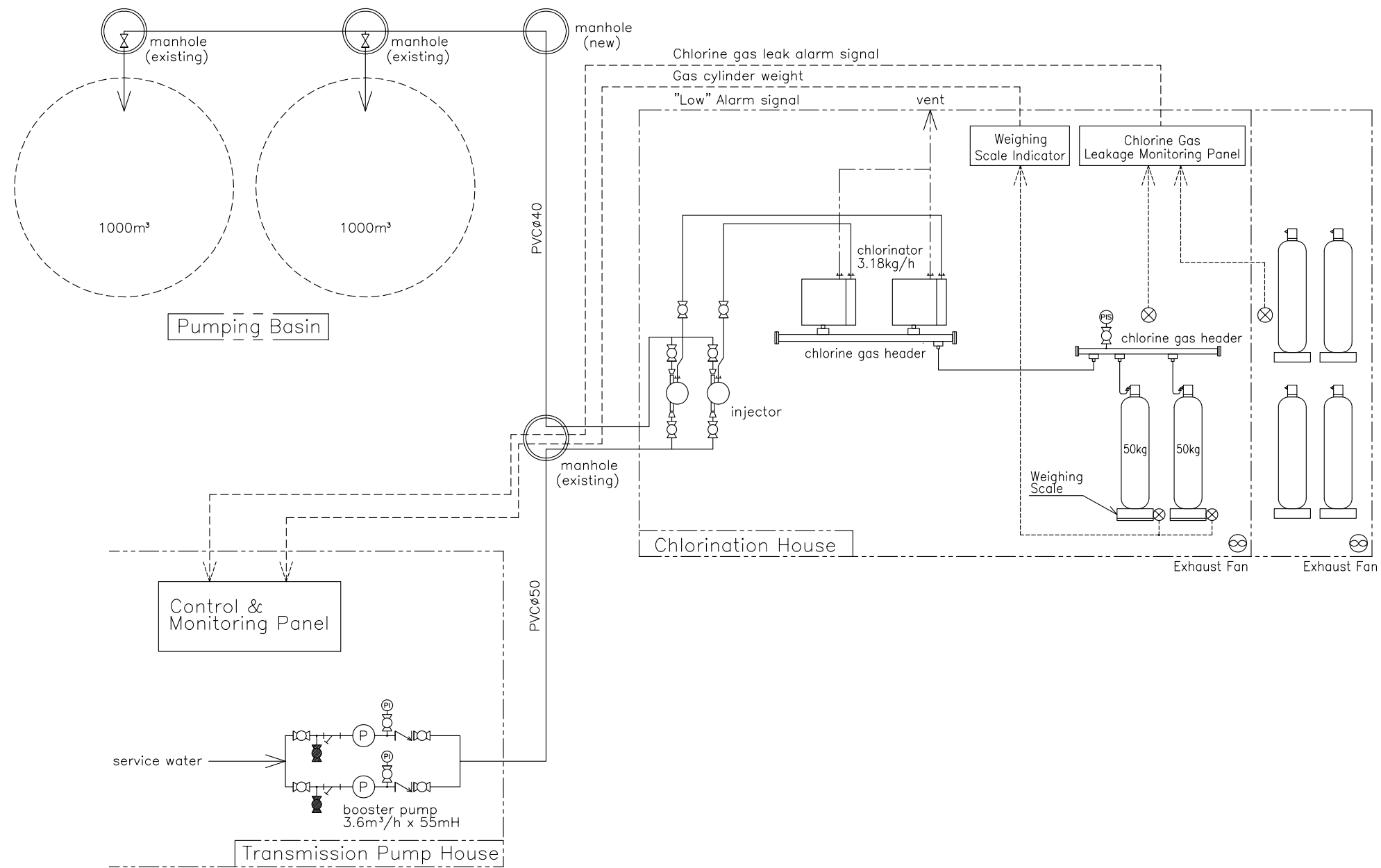
No	Date	Approved	Revised

The Basic Design on the Project for Improvement of Water Supply Facilities at Darkhan City in Mongolia
 Монгол国ダールハン市給水施設改善計画基本設計調査
 Water Supply and Sewerage System Co. of Darkhan City

JICA JAPAN INTERNATIONAL COOPERATION AGENCY (JICA)
TEC TOKYO ENGINEERING CONSULTANTS CO.,LTD, JAPAN

Title: 2nd Station, Location of Water Level Gauges for Reservoirs and Ultrasonic Flow Meters for Distribution Pipelines
 第2ステーション、配水池水位計及び配水管路流量計設置計画図

Date : September . 08	Approved by : Prepared by :
Scale : 1/400	No. 3 - 3



◇			
◇			
◇			
No.	Date	Approved	Revised

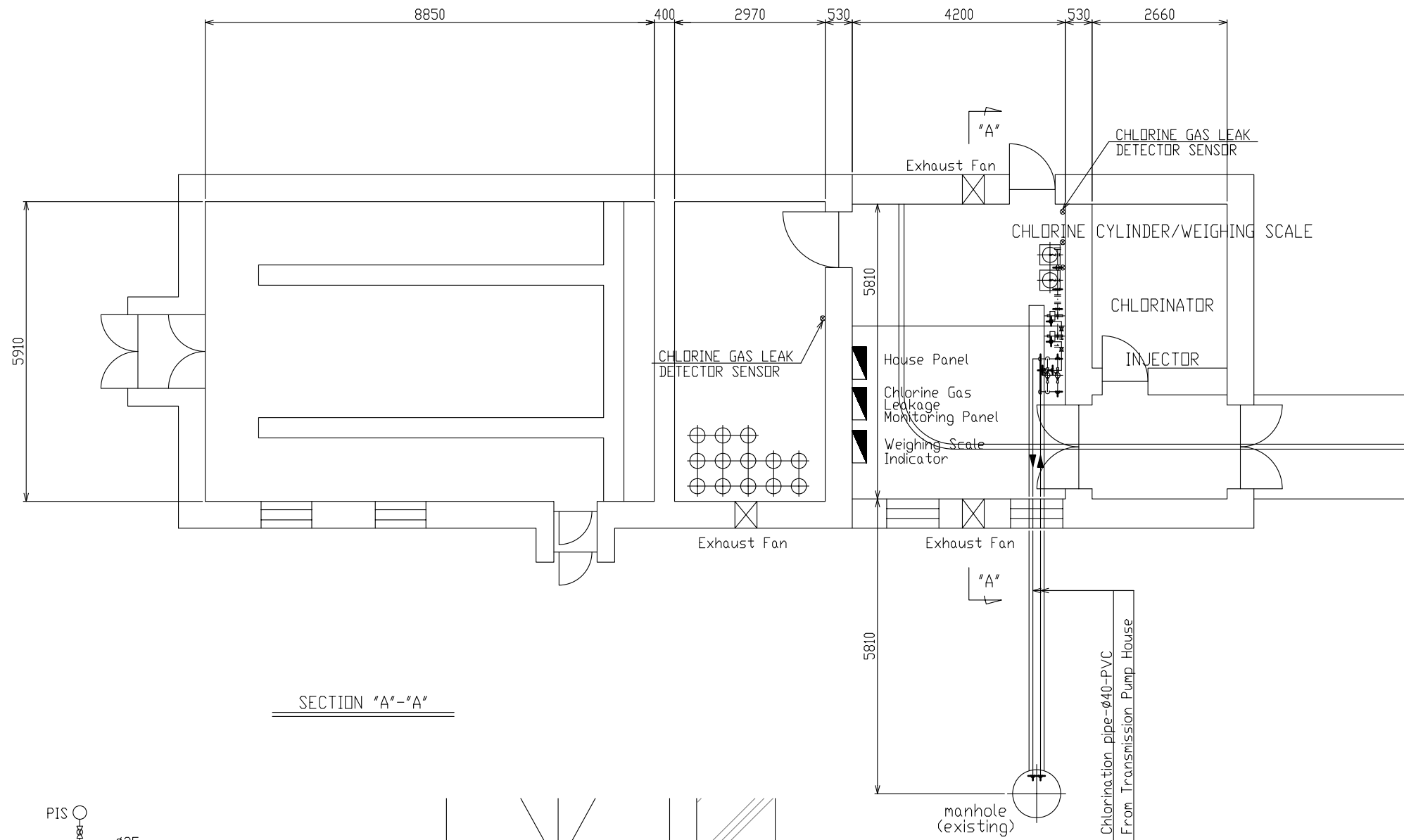
The Basic Design on the Project for Improvement of Water Supply
Facilities at Darkhan City in Mongolia
モンゴル国ダールハン市給水施設改善計画基本設計調査
Water Supply and Sewerage System Co. of Darkhan City

JICA JAPAN INTERNATIONAL COOPERATION AGENCY (JICA)
TEC TOKYO ENGINEERING CONSULTANTS CO.,LTD, JAPAN

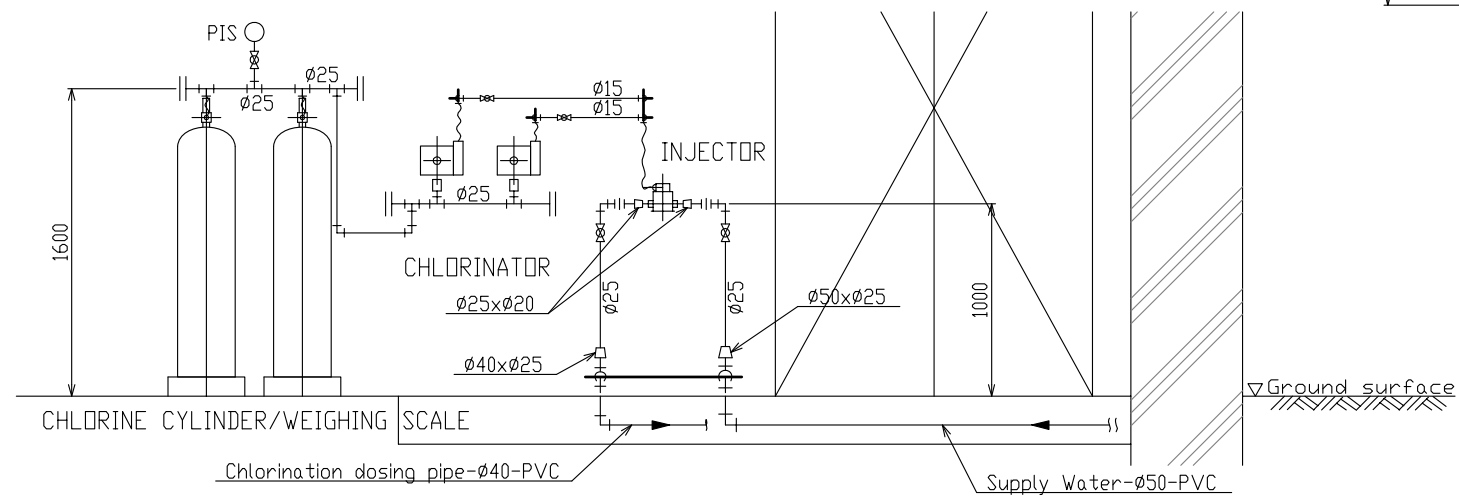
Title: Chlorination Facilities, Flow Chart of Chlorination System in 2nd Station
塩素消毒設備、フロー図

Date : September . 08	Approved by : Prepared by :
Scale : Nonscale	No. 4 - 1 REV

Chlorination House



SECTION "A"- "A"



No	Date	Approved	Revised

The Basic Design on the Project for Improvement of Water Supply Facilities at Darkhan City
in Mongolia
モンゴル国ダルハン市給水施設改善計画基本設計調査
Water Supply and Sewerage System Co. of Darkhan City

JICA JAPAN INTERNATIONAL COOPERATION AGENCY (JICA)
TEC TOKYO ENGINEERING CONSULTANTS CO.,LTD, JAPAN

Title : Chlorination Facilities, Layout Plan
塩素消毒設備、設置図

Date : September . 08	Approved by :
Scale : Nonscale	Prepared by :
No. : 4 - 2	REV <input type="checkbox"/>

