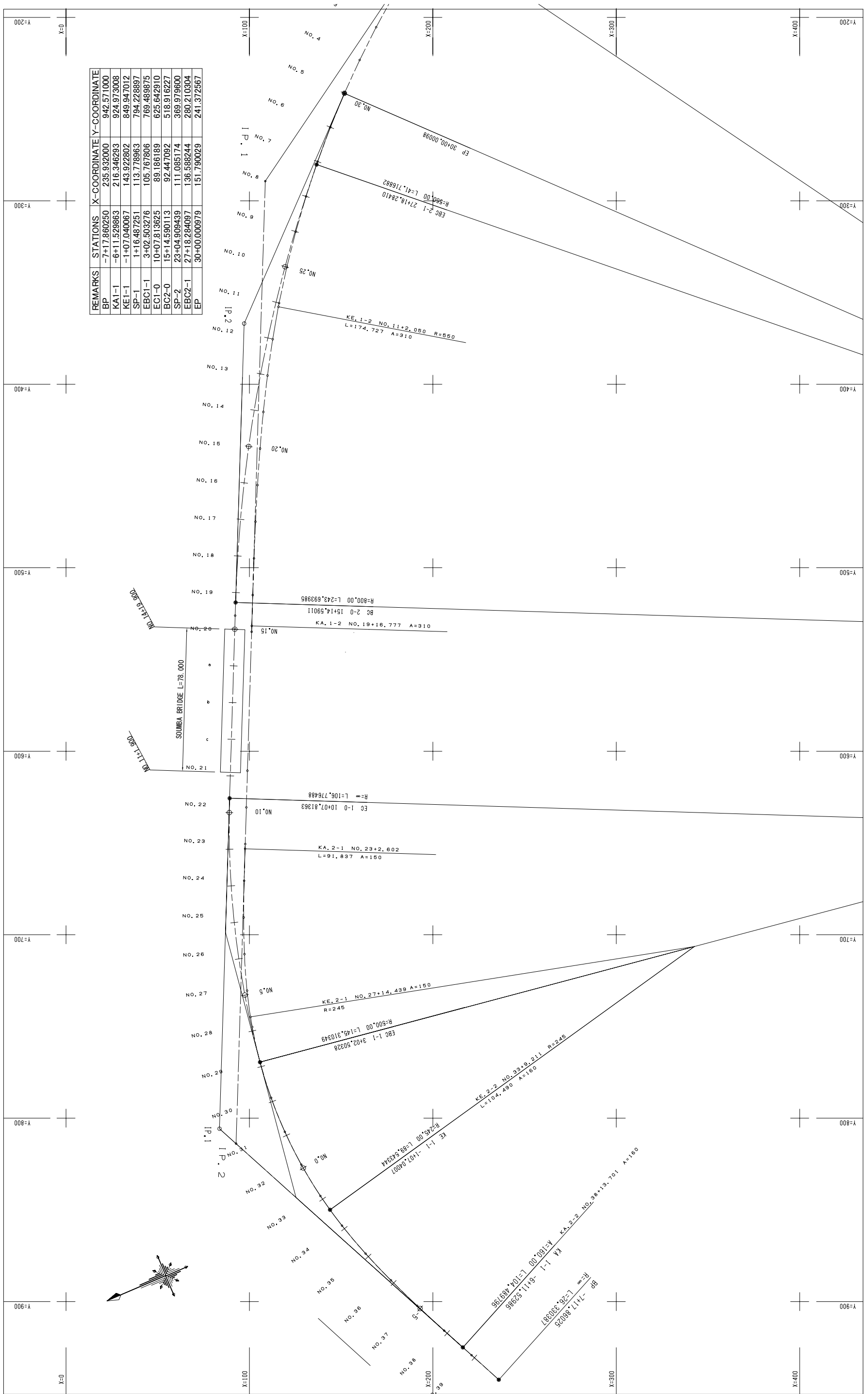
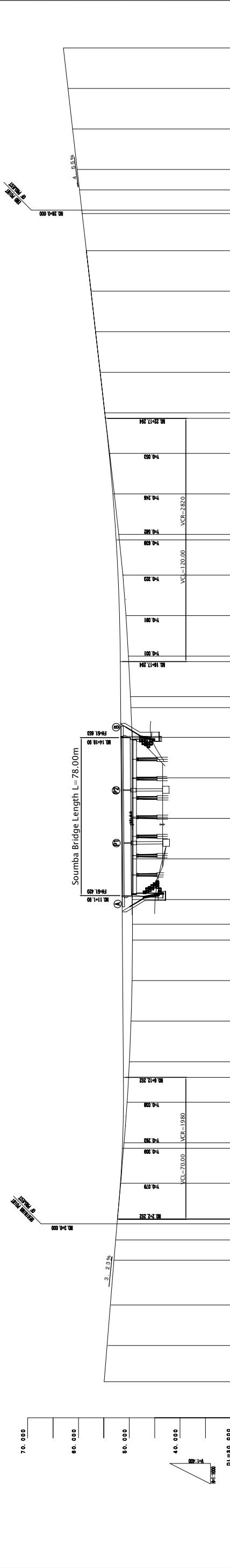
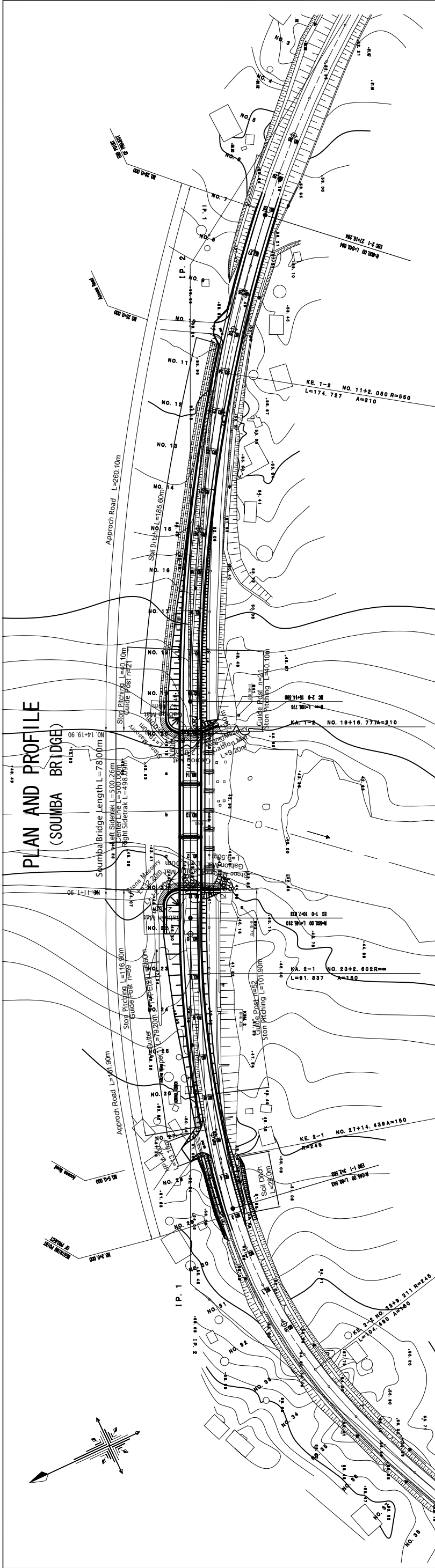


# COORDINATION DRAWING (SOMBA BRIDGE)

REMARKS	STATIONS	X-COORDINATE	Y-COORDINATE
BP	-7+17.860250	235.932000	942.571000
KAI-1	-6+11.529863	216.346293	924.973008
KE1-1	-1+07.040067	143.922802	849.947012
SP-1	1+16.487251	113.778963	794.228897
EBC1-1	3+02.503276	105.67806	769.489875
EBC1-0	10+07.813625	89.186189	625.642910
EBC2-0	15+14.590113	92.447092	518.916227
SP-2	23+04.909439	111.085174	369.979600
EBC2-1	27+18.284097	136.588244	280.210304
EP	30+00.000979	151.790029	241.372567



ROAD INVESTMENT DEPARTMENT MINISTRY OF PUBLIC WORKS, URBANIZATION AND HABITAT	BASIC DESIGN ON THE PROJECT FOR REHABILITATION OF BRIDGES ON ARTERIAL NATIONAL ROADS IN THE REPUBLIC OF GUINEA	JAPAN INTERNATIONAL COOPERATION AGENCY KATAHIRA & ENGINEERS INTERNATIONAL	TITLE: SOMBA BRIDGE COORDINATION DRAWING
		SCALE: S=1:1000	DRAWING No: S-2



VERTICAL ALIGNMENT	PAVEMENT HEIGHT	GROUND HEIGHT	INTERVAL	STATION	HORIZONTAL CURVATURE	SUPER ELEVATION
				NO. 0	L=89.543 R=245.000	
				NO. 1		
				NO. 2		
				NO. 3		
				NO. 4		
				NO. 5		
				NO. 6		
				NO. 7		
				NO. 8		
				NO. 9		
				NO. 10		
				NO. 11		
				NO. 12		
				NO. 13		
				NO. 14		
				NO. 15		
				NO. 16		
				NO. 17		
				NO. 18		
				NO. 19		
				NO. 20		
				NO. 21		
				NO. 22		
				NO. 23		
				NO. 24		
				NO. 25		
				NO. 26		
				NO. 27		
				NO. 28		
				NO. 29		
				NO. 30		
				NO. 31		
				NO. 32		

ROAD INVESTMENT DEPARTMENT  
 MINISTRY OF PUBLIC WORKS, URBANIZATION AND HABITAT

BASIC DESIGN ON THE PROJECT FOR  
 REHABILITATION OF BRIDGES ON ARTERIAL  
 NATIONAL ROADS IN THE REPUBLIC OF GUINEA

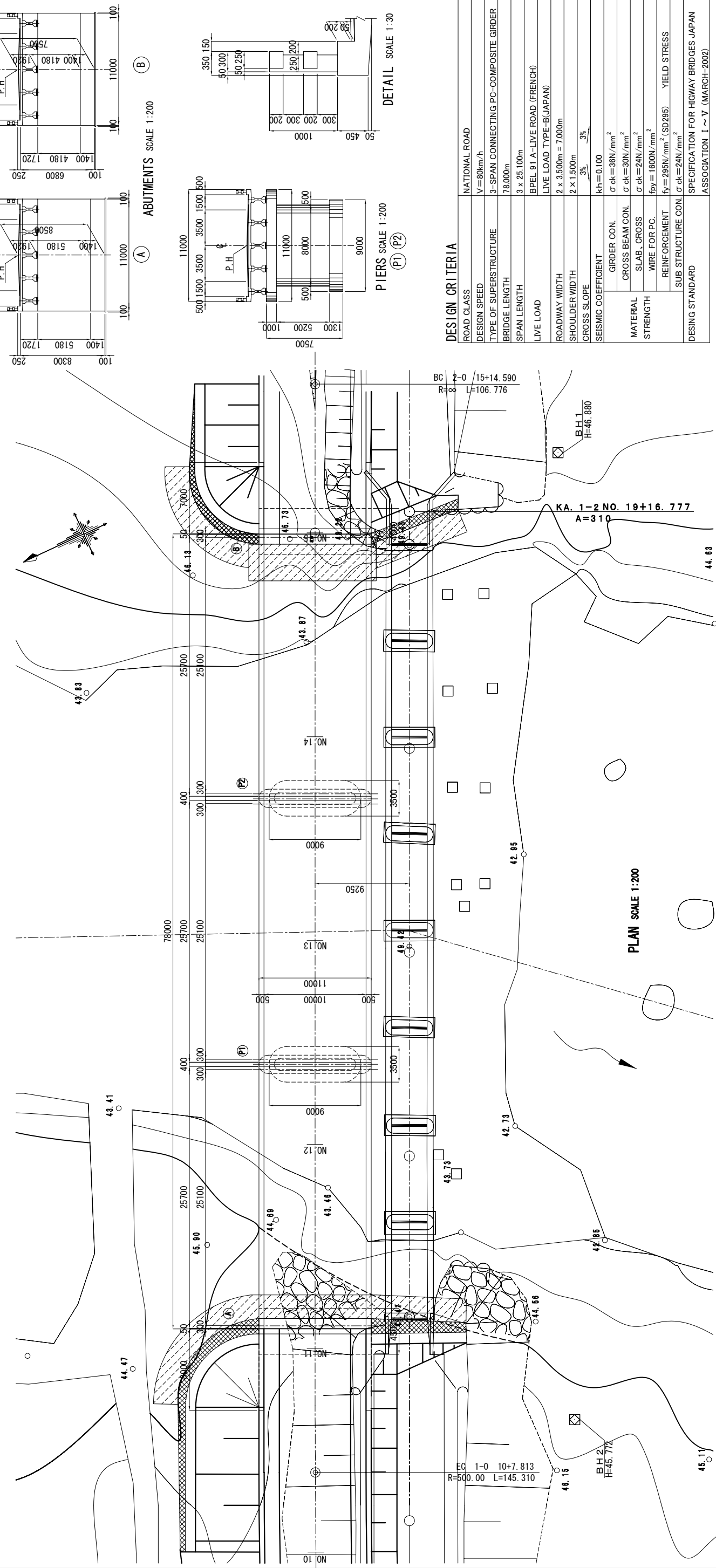
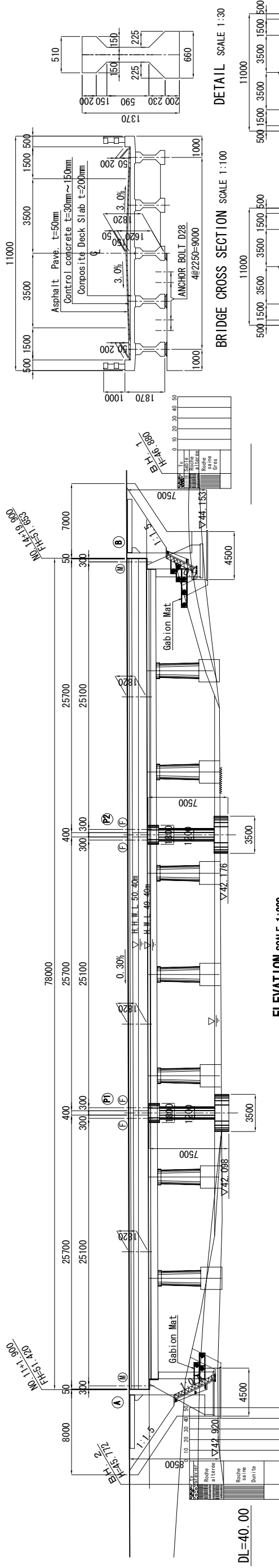
JAPAN INTERNATIONAL COOPERATION AGENCY  
 KATAHIRA & ENGINEERS INTERNATIONAL

TITLE: SOUMBA BRIDGE  
 PLAN AND PROFILE

SCALE:  
 H=1:1000  
 V=1: 400

DRAWING No:  
 S-3

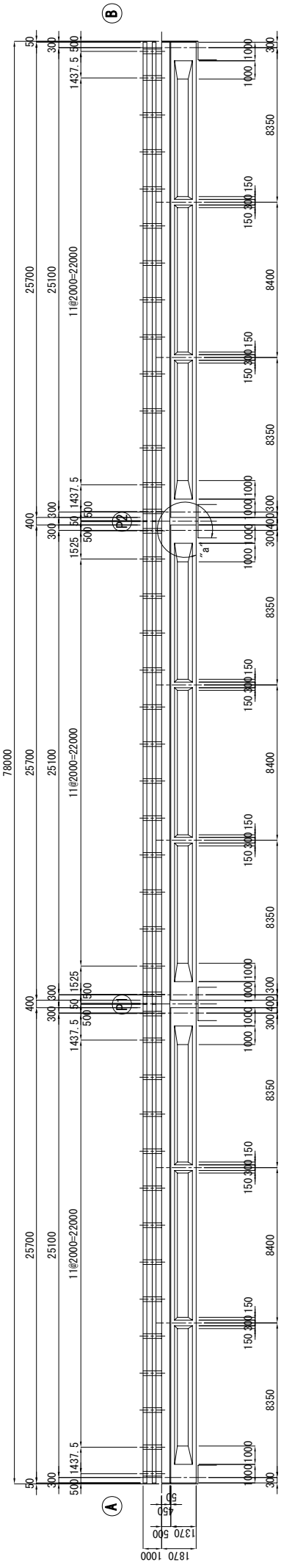
# GENERAL VIEW OF SOUMBA BRIDGE



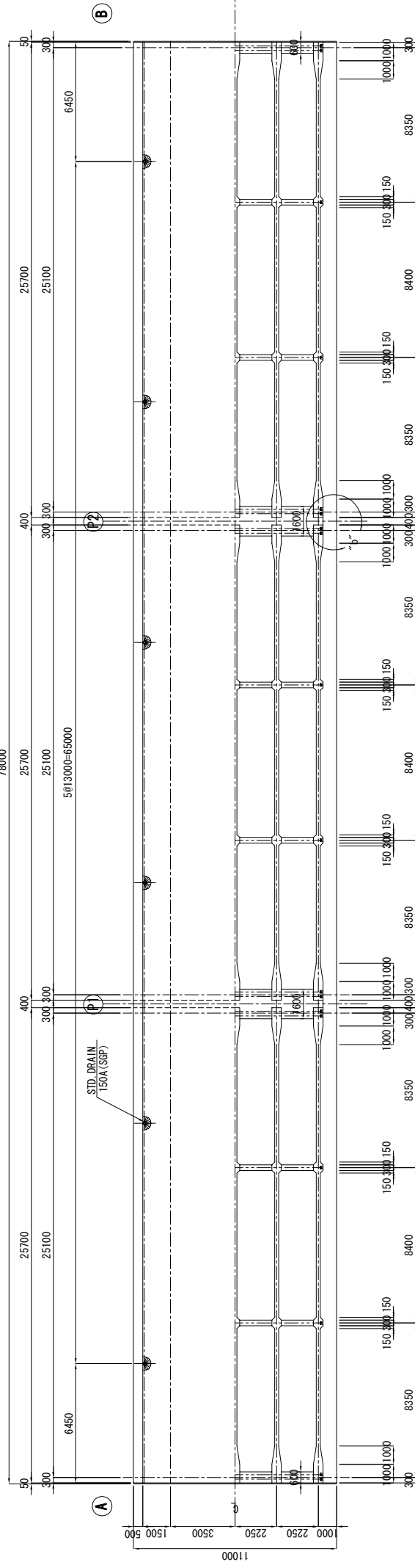
ROAD INVESTMENT DEPARTMENT MINISTRY OF PUBLIC WORKS, URBANIZATION AND HABITAT	BASIC DESIGN ON THE PROJECT FOR REHABILITATION OF BRIDGES ON ARTERIAL NATIONAL ROADS IN THE REPUBLIC OF GUINEA	JAPAN INTERNATIONAL COOPERATION AGENCY KATAHIRA & ENGINEERS INTERNATIONAL	TITLE:	GENERAL VIEW OF SOUMBA BRIDGE	SCALE:	S=1:200	DRAWING No:	S-4

# STRUCTURE DRAWING OF SUPERSTRUCTURE (SOMBA BRIDGE)

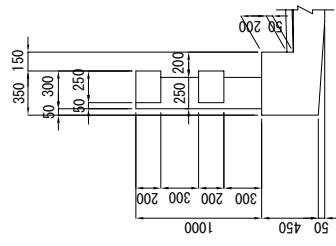
ELEVATION SCALE 1:150



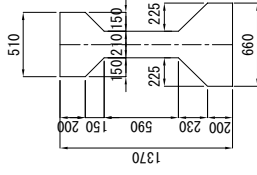
PLAN SCALE 1:150



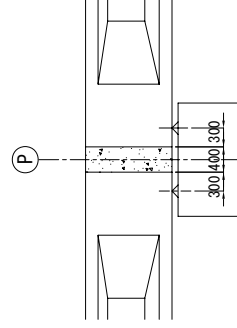
DETAIL OF RAILING SCALE 1:30



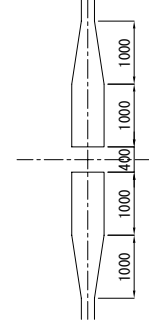
DETAIL OF GIRDER SCALE 1:30



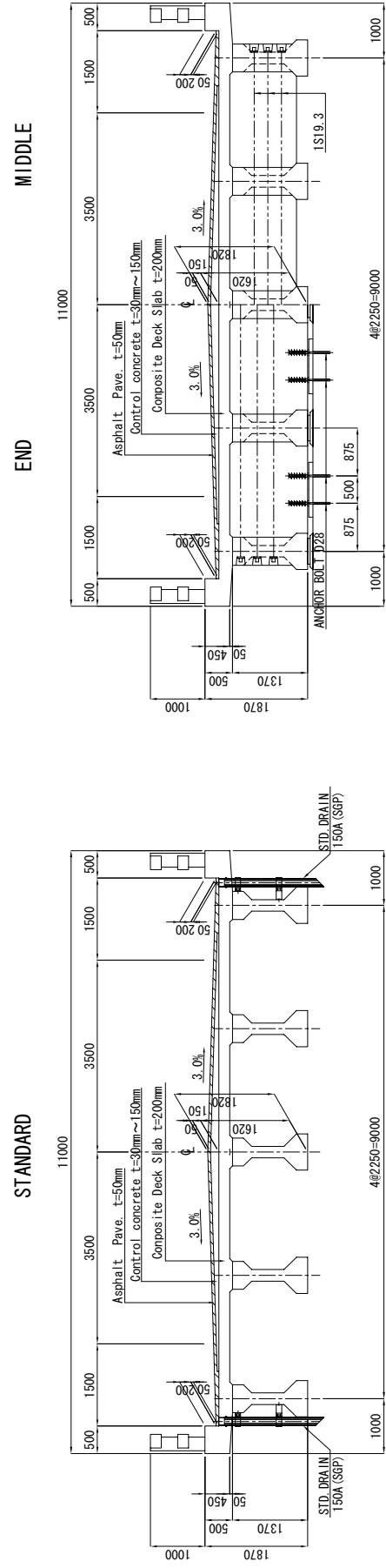
"a" DETAIL SCALE 1:60



"b" DETAIL SCALE 1:60



BRIDGE CROSS SECTION SCALE 1:60



ROAD INVESTMENT DEPARTMENT  
MINISTRY OF PUBLIC WORKS, URBANIZATION AND HABITAT

BASIC DESIGN ON THE PROJECT FOR  
REHABILITATION OF BRIDGES ON ARTERIAL  
NATIONAL ROADS IN THE REPUBLIC OF GUINEA

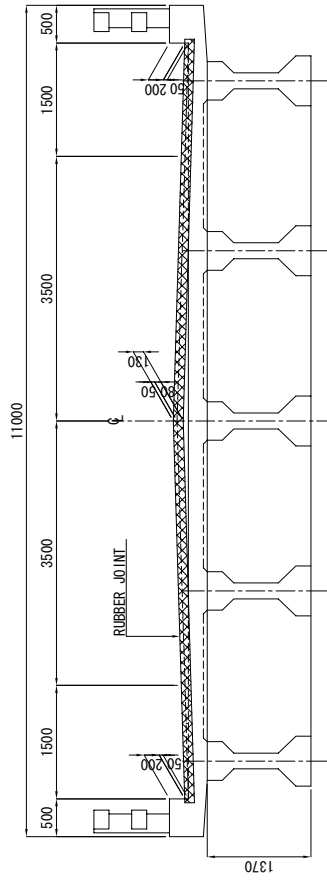
JAPAN INTERNATIONAL COOPERATION AGENCY  
KATAHIRA & ENGINEERS INTERNATIONAL

TITLE: SOMBA BRIDGE  
STRUCTURE DRAWING OF SUPERSTRUCTURE

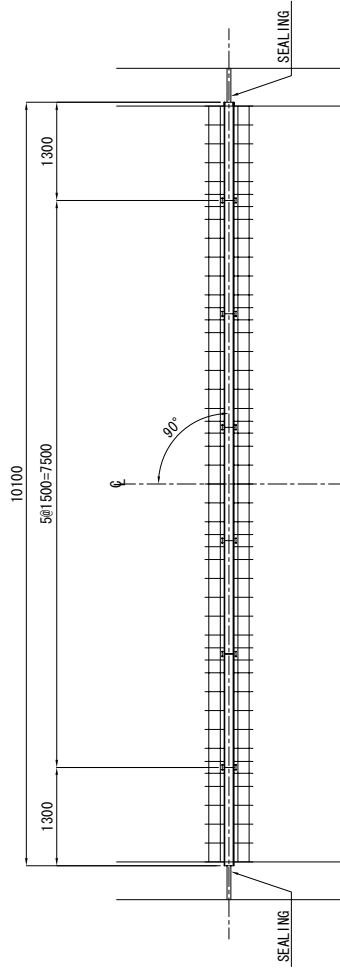
SCALE: S=1:150  
DRAWING No: S-5

# DETAILS OF EXPANSION JOINT AND DRAINAGE (SOUNBA BRIDGE)

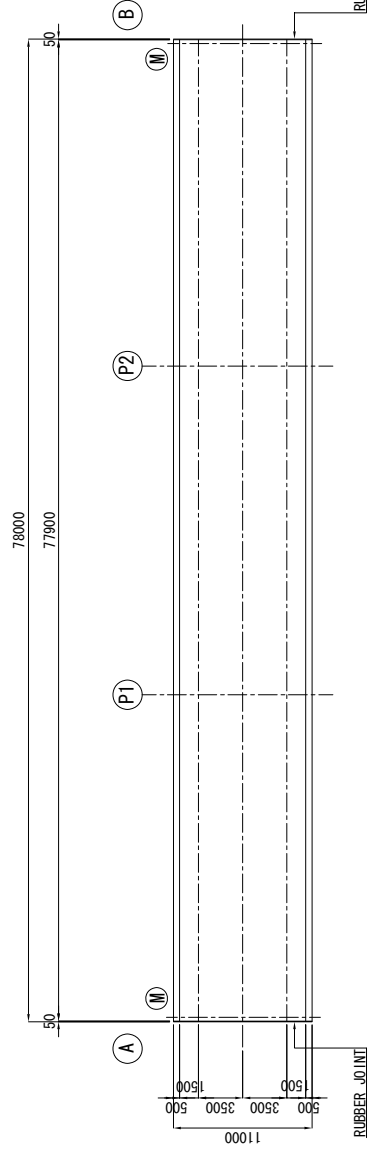
SECTION SCALE 1:50



PLAN SCALE 1:50

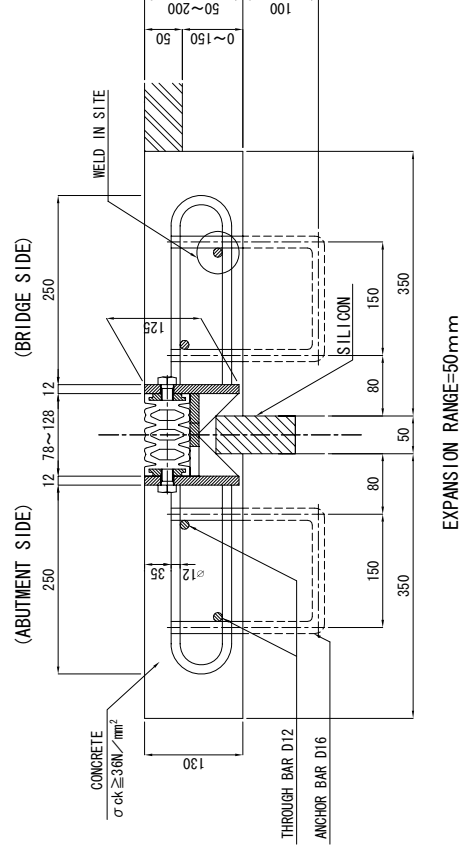


MARKING DIAGRAM SCALE 1:300

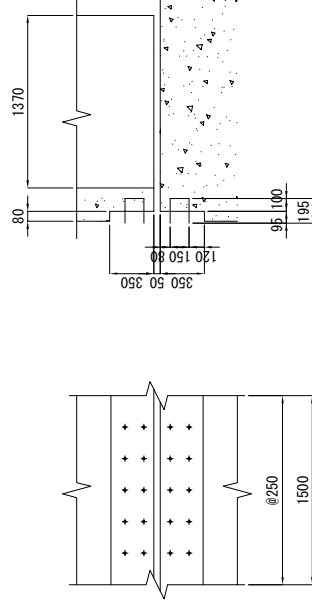


CROSS SECTION SCALE 1:5

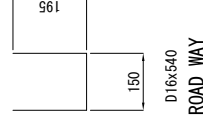
RUBBER JOINT FOR ROADWAY



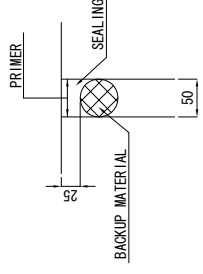
ANCHOR BAR UNDER CONCRETE SCALE 1:30



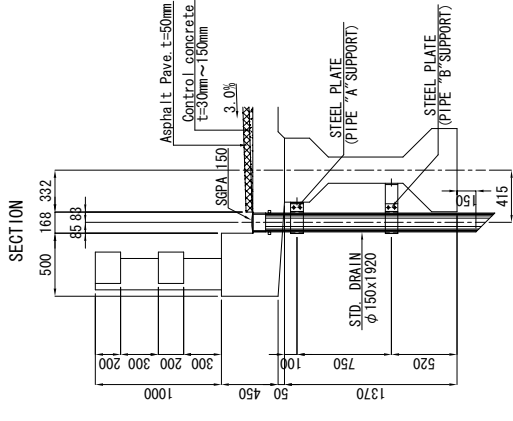
ANCHOR BAR SCALE 1:10



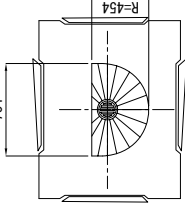
SEALING SCALE 1:5



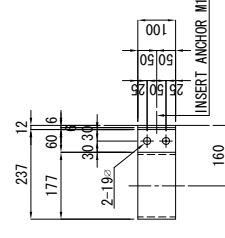
DRAINAGE SCALE 1:30



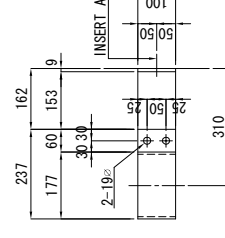
PLAN



"A" SUPPORT SCALE 1:10



"B" SUPPORT SCALE 1:10



- 2-PL 100x6x651 (SS400)
- 1-PL 100x6x213 (SS400)
- 1-PL 100x9x150
- 2-BN M16x40 (SS400)
- 2-INSERT ANCHOR M12 (SS400)

- 2-PL 100x6x651 (SS400)
- 1-PL 100x6x 86 (SS400)
- 1-PL 100x6x150
- 2-BN M16x40 (SS400)
- 2-INSERT ANCHOR M12 (SS400)

MATERIAL OF EXPANSION JOINT

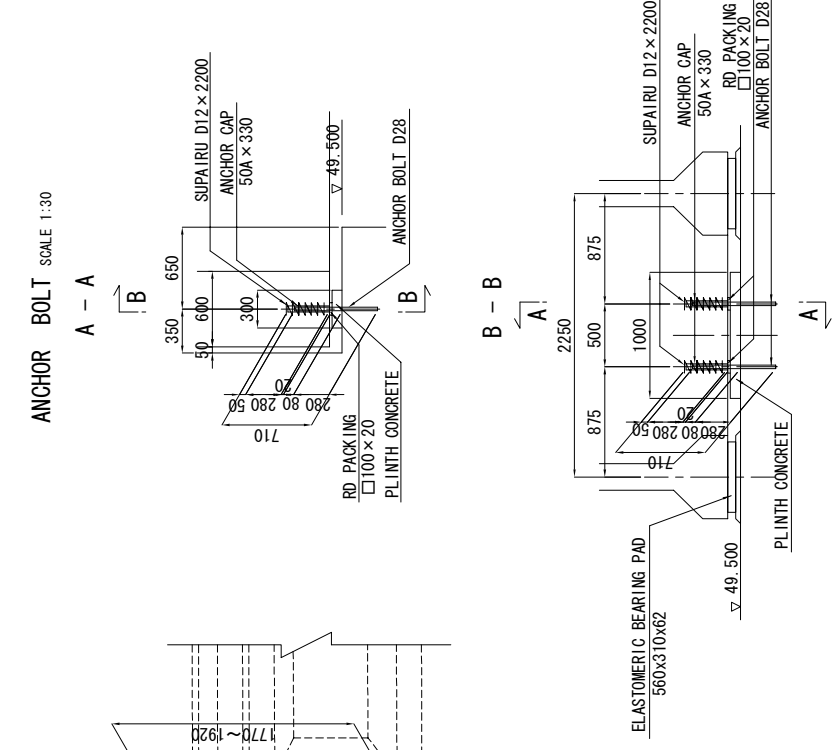
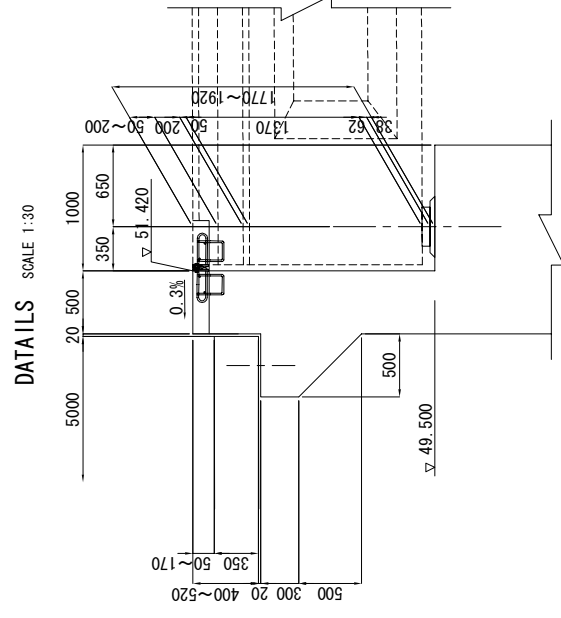
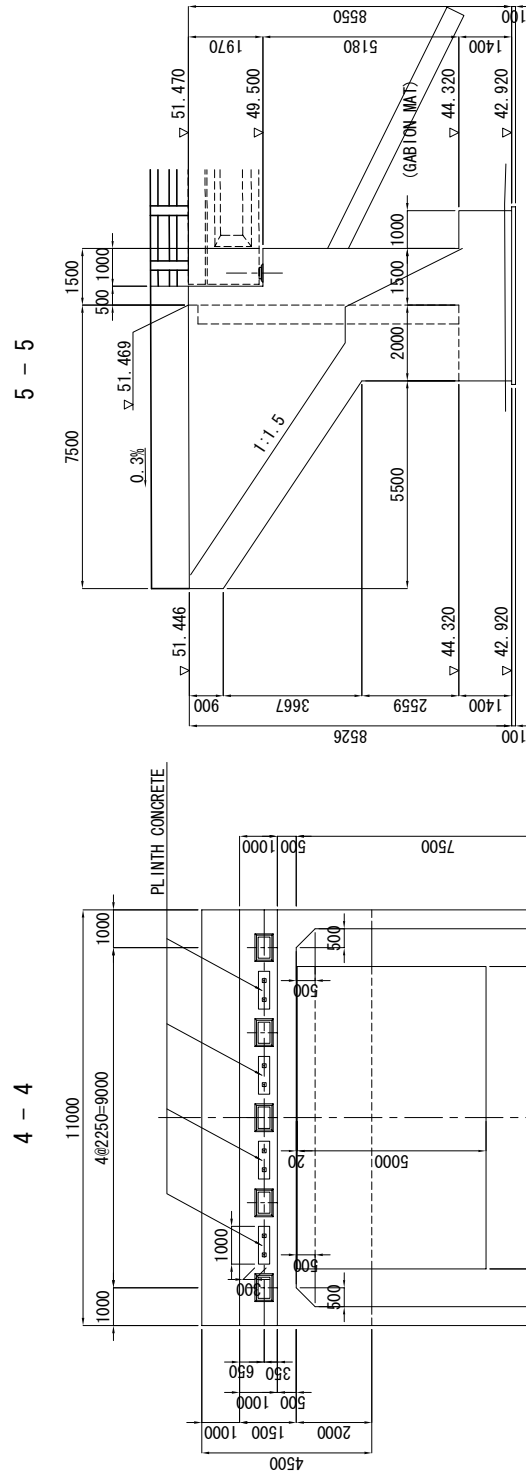
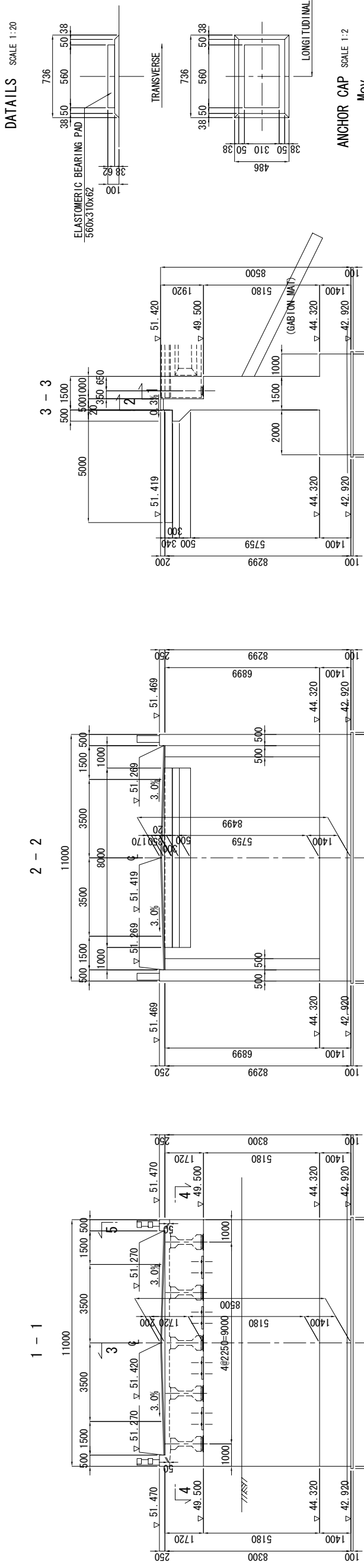
MATERIAL	QUALITY	QUANTITY		REMARKS
		(A)	(B) TOTAL	
RUBBER JOINT FOR ROADWAY	SS400 COMPOSITE RUBBER SR235 SD295	10.10 m	10.10 m	ROADWAY
SEALING	SILICON	1.8 liter	1.8 liter	3.6 liter

ANCHOR BAR

SIZE	QUANTITY		WEIGHT		REMARKS
	(A)	(B) TOTAL	EACH	TOTAL	
D16x540	82	82	0.852 kg	183 kg	ROADWAY

# STRUCTURE DRAWING OF A ABUTMENT (SOUNBA BRIDGE)

SCALE 1:100



ROAD INVESTMENT DEPARTMENT  
 MINISTRY OF PUBLIC WORKS, URBANIZATION AND HABITAT

BASIC DESIGN ON THE PROJECT FOR  
 REHABILITATION OF BRIDGES ON ARTERIAL  
 NATIONAL ROADS IN THE REPUBLIC OF GUINEA

JAPAN INTERNATIONAL COOPERATION AGENCY  
 KATAHIRA & ENGINEERS INTERNATIONAL

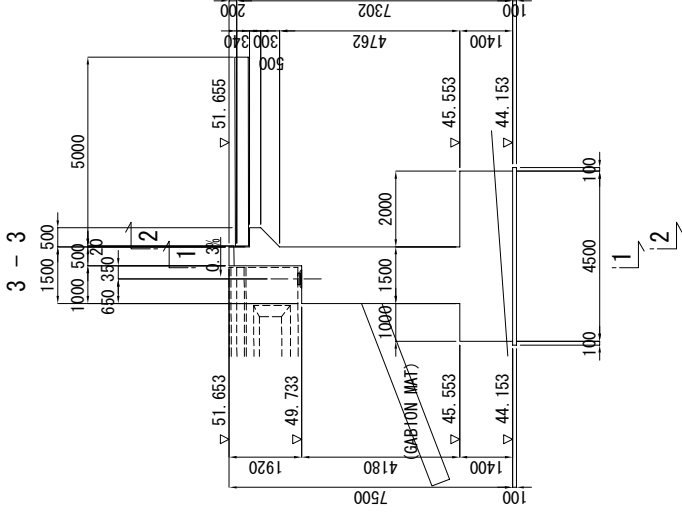
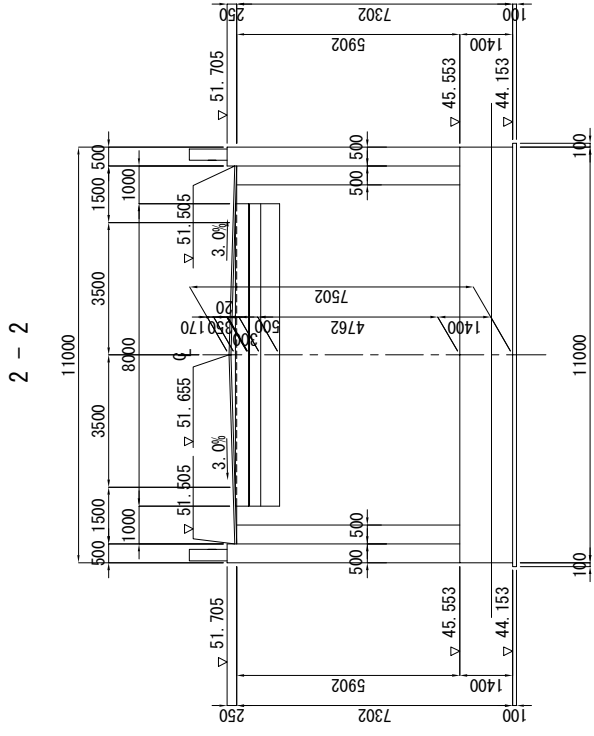
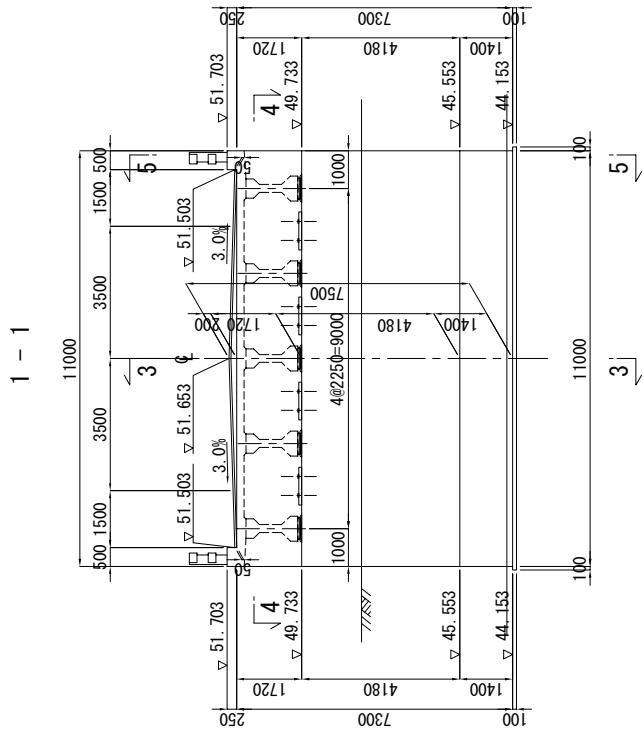
TITLE: SOUNBA BRIDGE  
 STRUCTURE DRAWING OF A ABUTMENT

SCALE:  
 S=1:100

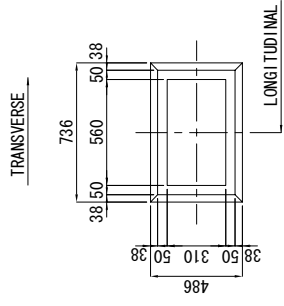
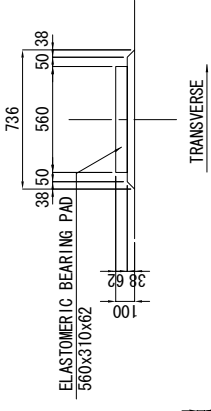
DRAWING No:  
 S-7

# STRUCTURE DRAWING OF B ABUTMENT (SOUNBA BRIDGE)

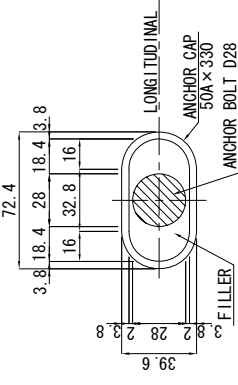
SCALE 1:100



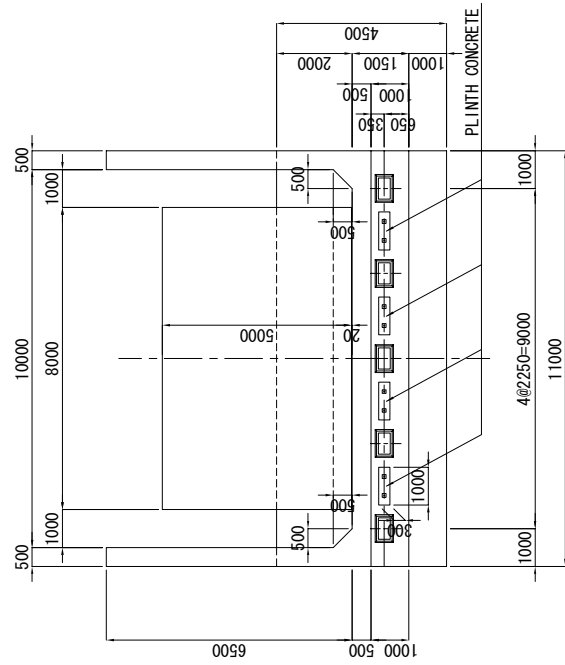
DETAILS SCALE 1:20



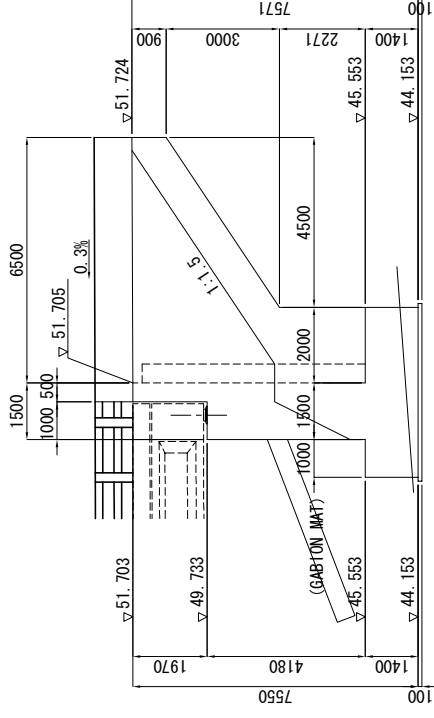
ANCHOR CAP SCALE 1:2  
Mov



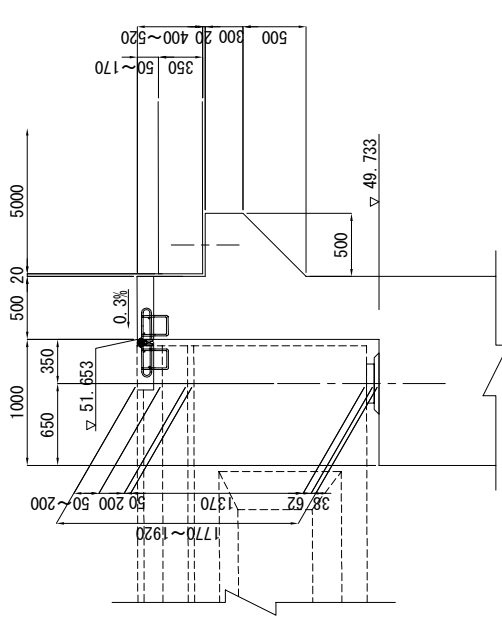
4 - 4



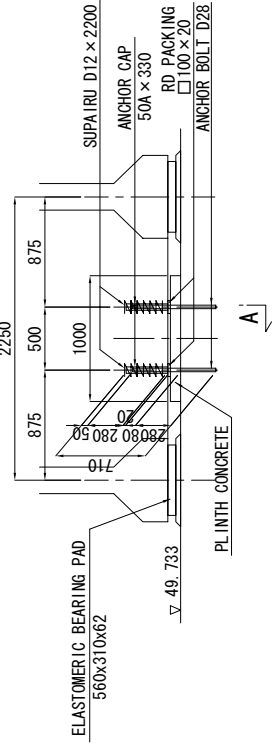
5 - 5



DETAILS SCALE 1:30



B - B



ROAD INVESTMENT DEPARTMENT  
MINISTRY OF PUBLIC WORKS, URBANIZATION AND HABITAT

BASIC DESIGN ON THE PROJECT FOR  
REHABILITATION OF BRIDGES ON ARTERIAL  
NATIONAL ROADS IN THE REPUBLIC OF GUINEA

JAPAN INTERNATIONAL COOPERATION AGENCY  
KATAHIRA & ENGINEERS INTERNATIONAL

TITLE: SOUNBA BRIDGE  
STRUCTURE DRAWING OF B ABUTMENT

SCALE:  
S=1:100

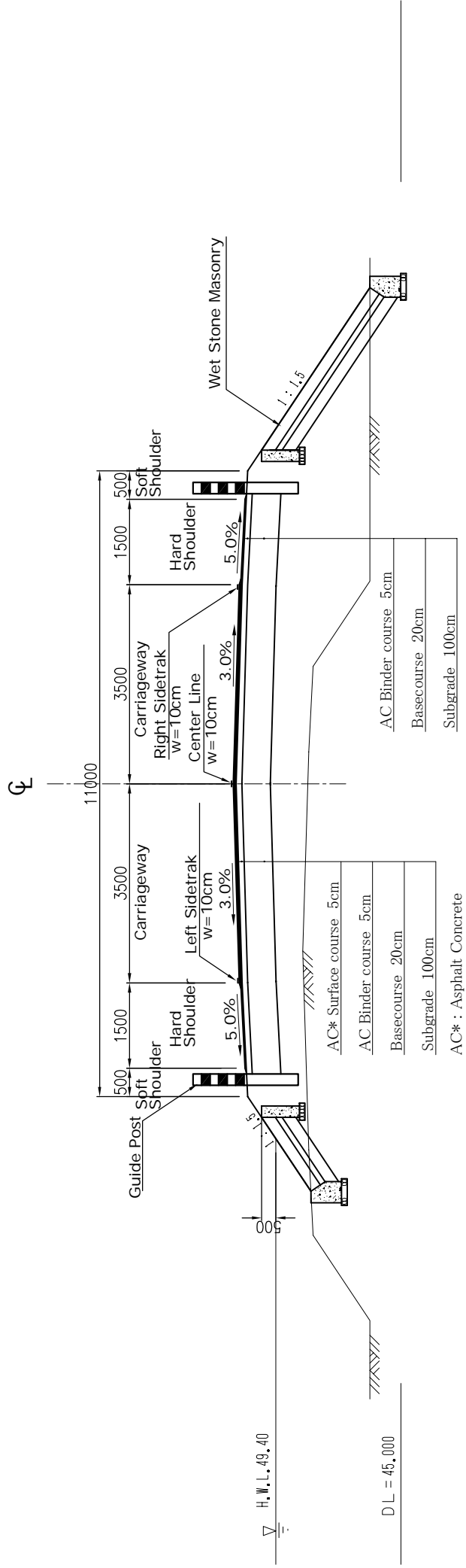
DRAWING No:  
S-8



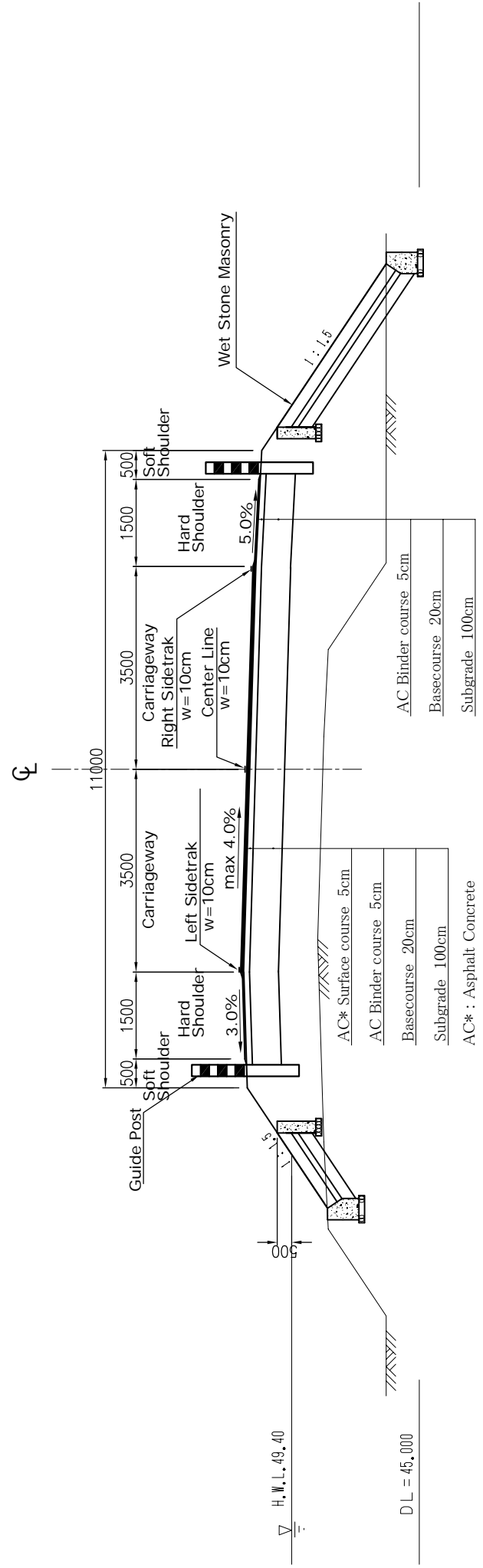


TYPICAL CROSS SECTION OF APPROACH ROAD  
(SOUNBA BRIDGE)

GENERAL SECTION



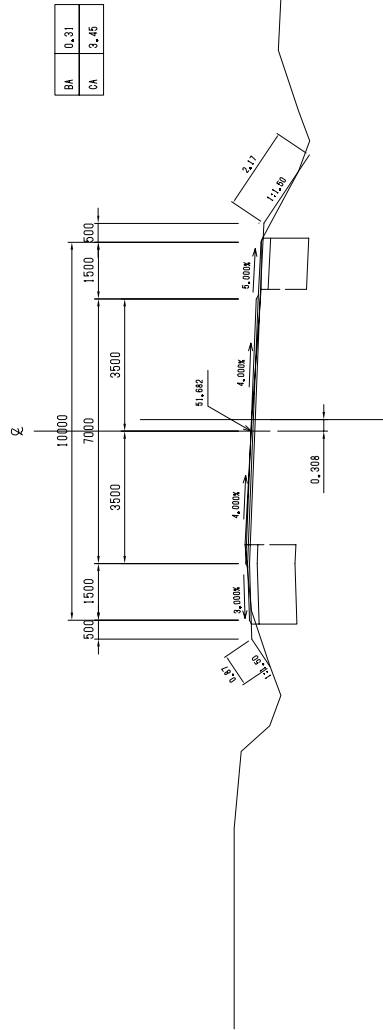
SUPERELEVATED SECTION



ROAD INVESTMENT DEPARTMENT MINISTRY OF PUBLIC WORKS, URBANIZATION AND HABITAT	BASIC DESIGN ON THE PROJECT FOR REHABILITATION OF BRIDGES ON ARTERIAL NATIONAL ROADS IN THE REPUBLIC OF GUINEA	JAPAN INTERNATIONAL COOPERATION AGENCY KATAHIRA & ENGINEERS INTERNATIONAL	TITLE: SOUNBA BRIDGE TYPICAL CROSS SECTION OF APPROACH ROAD	SCALE: S=1:50	DRAWING No: S-10
--	--	--	---	------------------	---------------------

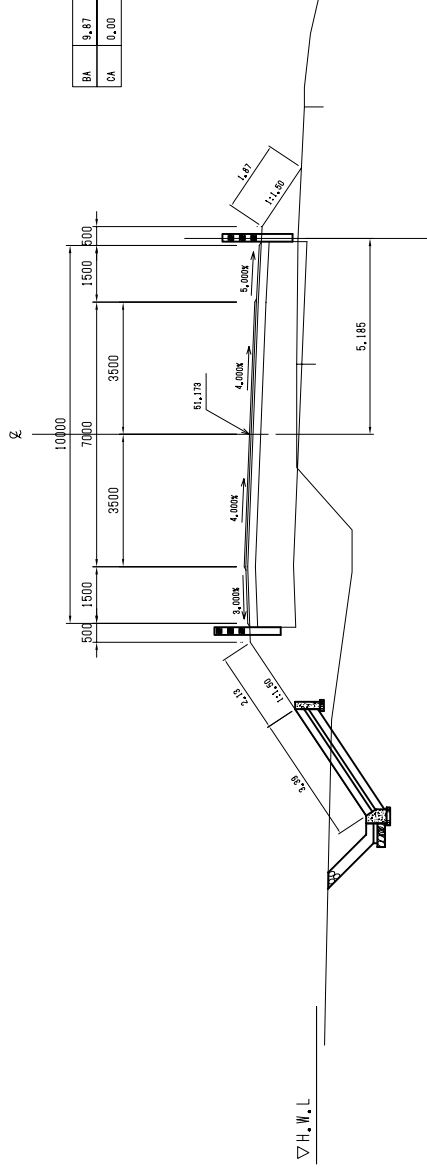
# CROSS SECTIONS OF ROAD ( 1 ) (SOUNBA BRIDGE)

NO. 4+00.000  
FH=51.882  
GH=51.697



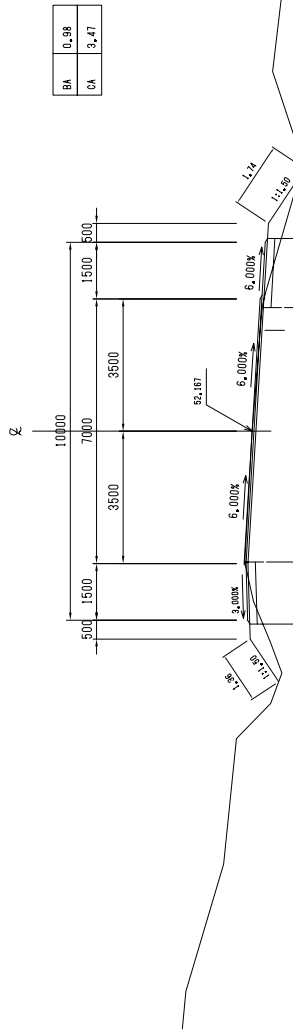
DL=45.00

NO. 7+00.000  
FH=51.173  
GH=51.109



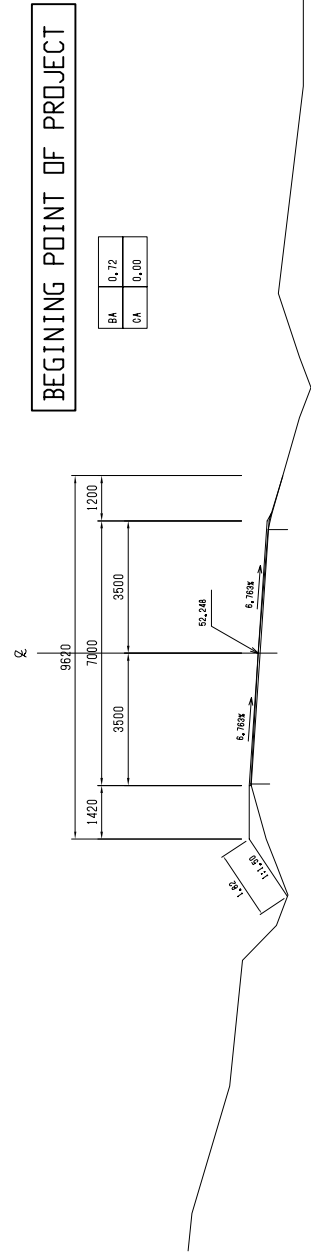
DL=45.00

EBC 1 - 1 (NO. 3+02.503)  
FH=52.167  
GH=52.172



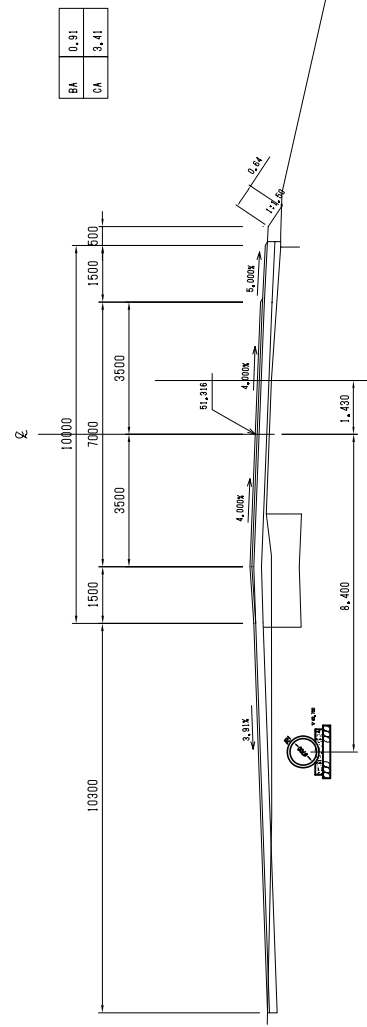
DL=45.00

NO. 3+00.000  
FH=52.248  
GH=52.249



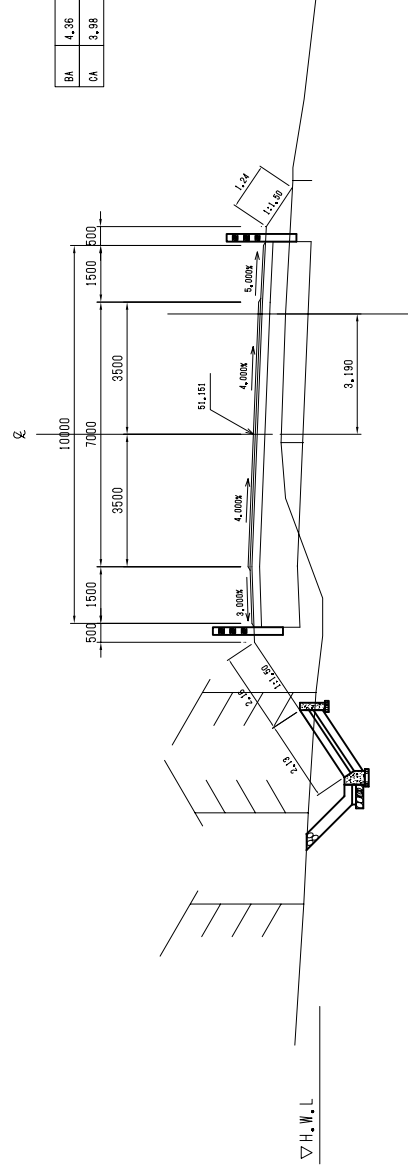
DL=45.00

NO. 5+00.000  
FH=51.316  
GH=51.322



DL=45.00

NO. 6+00.000  
FH=51.151  
GH=51.126



DL=45.00

ROAD INVESTMENT DEPARTMENT  
MINISTRY OF PUBLIC WORKS, URBANIZATION AND HABITAT

BASIC DESIGN ON THE PROJECT FOR  
REHABILITATION OF BRIDGES ON ARTERIAL  
NATIONAL ROADS IN THE REPUBLIC OF GUINEA

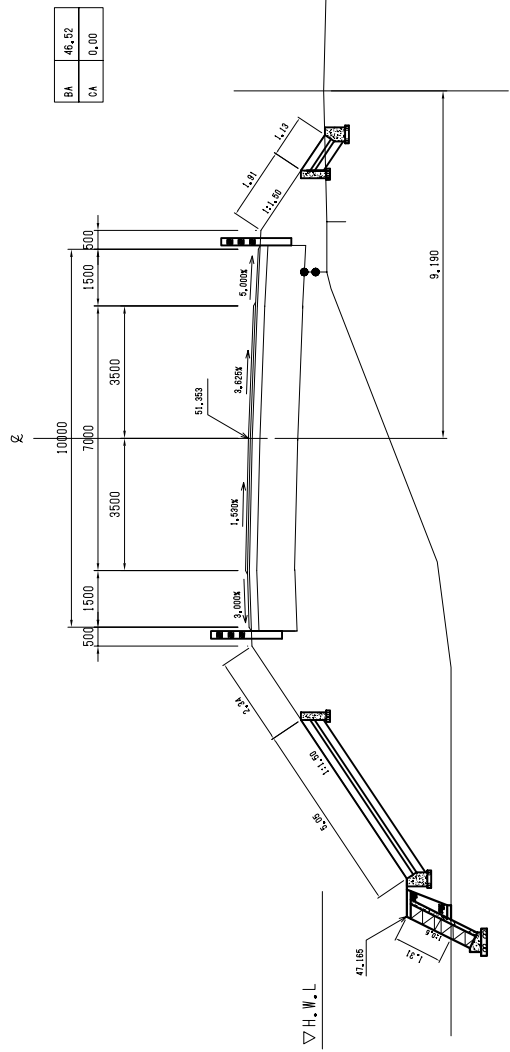
JAPAN INTERNATIONAL COOPERATION AGENCY  
KATAHIRA & ENGINEERS INTERNATIONAL

TITLE: SOUNBA BRIDGE  
CROSS SECTIONS OF ROAD (1)  
(NO. 3+0.00 - NO. 7+0.00)

SCALE: S=1:100  
DRAWING No: S-11

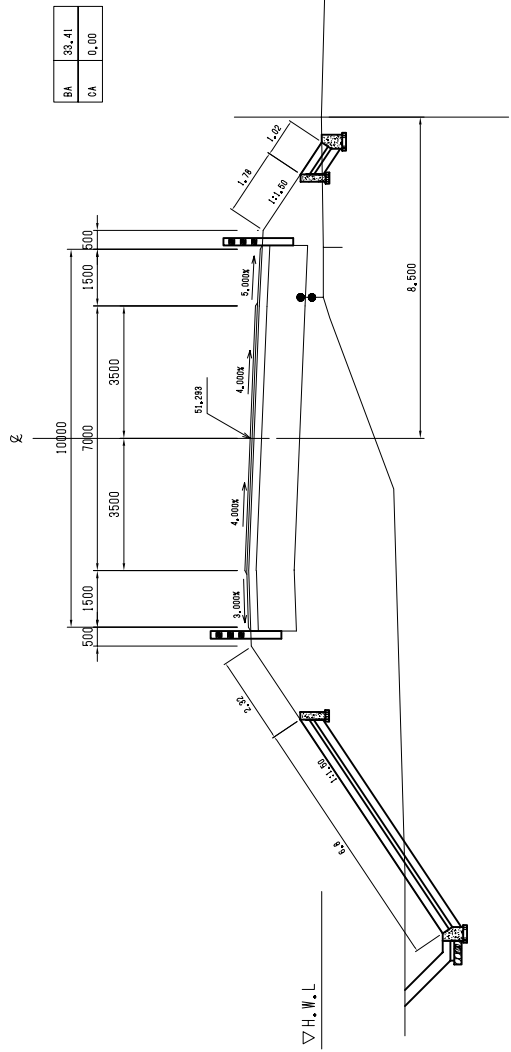
# CROSS SECTIONS OF ROAD ( 2 ) (SOUNBA BRIDGE)

NO. 10+00.000  
FH=51.353  
GH=51.289



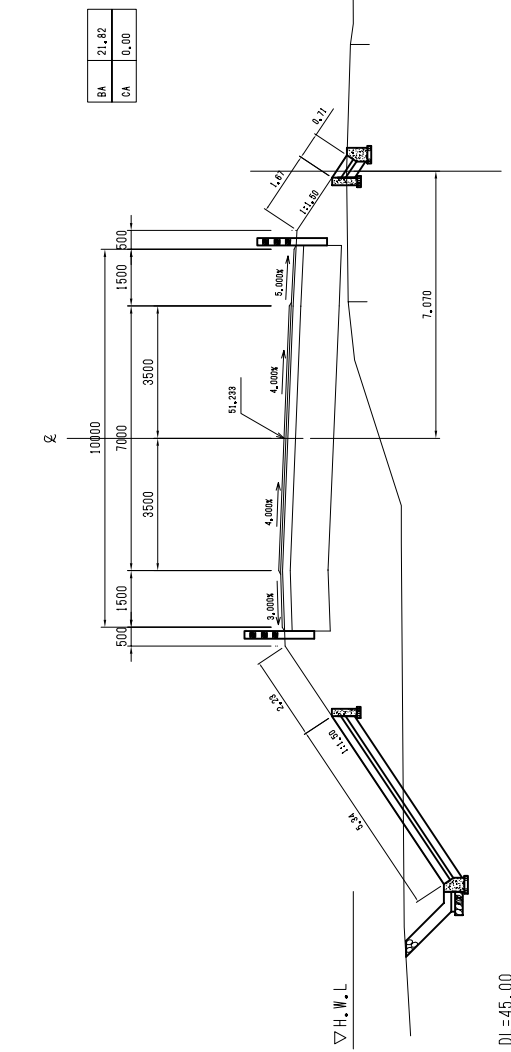
DL=43.00

NO. 9+00.000  
FH=51.293  
GH=51.229



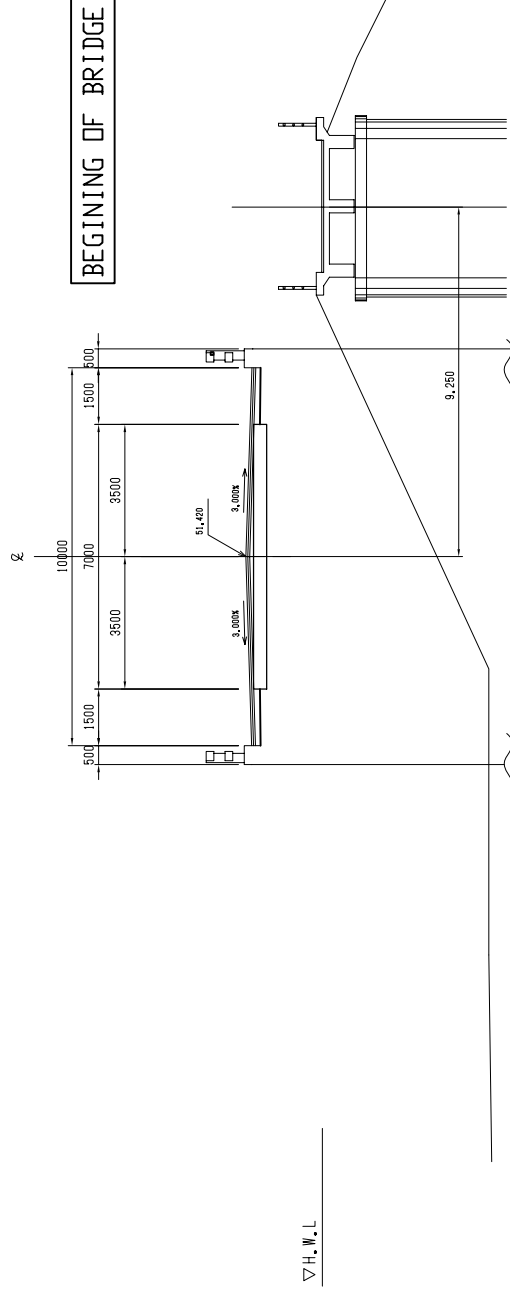
DL=43.00

NO. 8+00.000  
FH=51.233  
GH=51.169



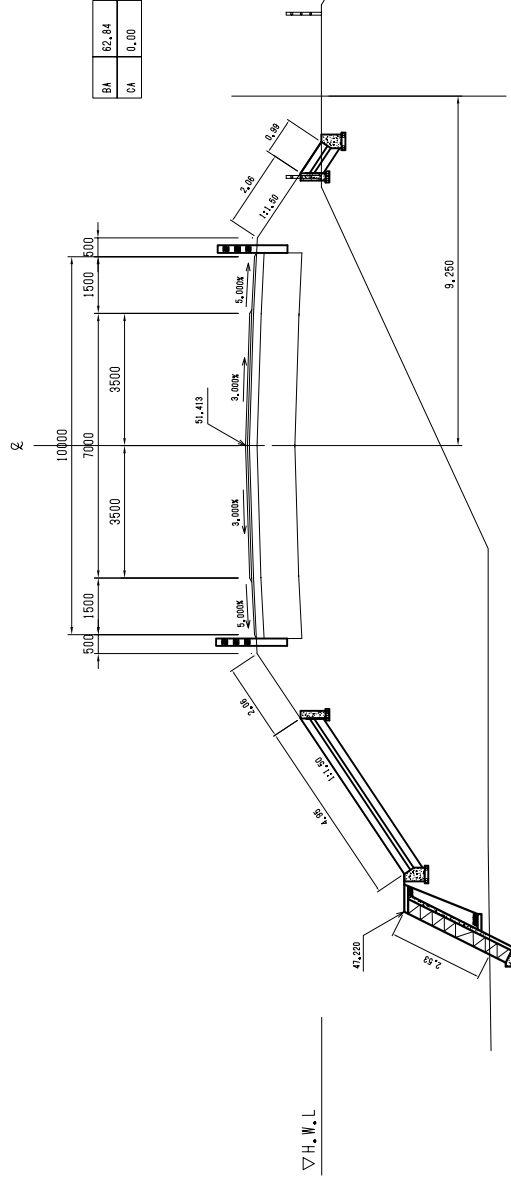
DL=45.00

NO. 11+1.900  
FH=51.420  
GH=51.349



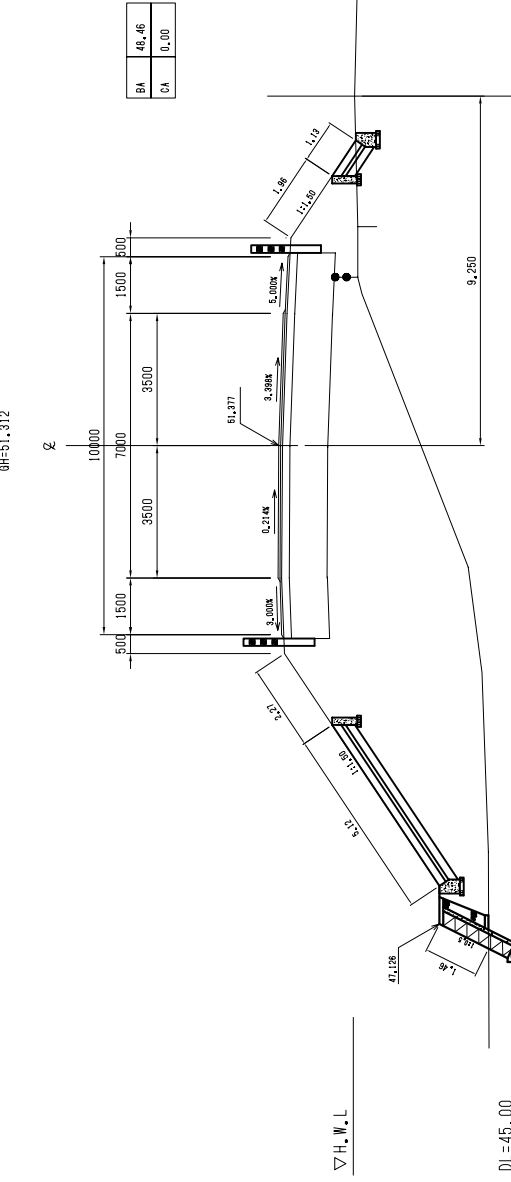
DL=43.00

NO. 11+00.000  
FH=51.413  
GH=51.349



DL=43.00

EC 1-0(N0.10+07.813)  
FH=51.377  
GH=51.312



DL=45.00

ROAD INVESTMENT DEPARTMENT  
MINISTRY OF PUBLIC WORKS, URBANIZATION AND HABITAT

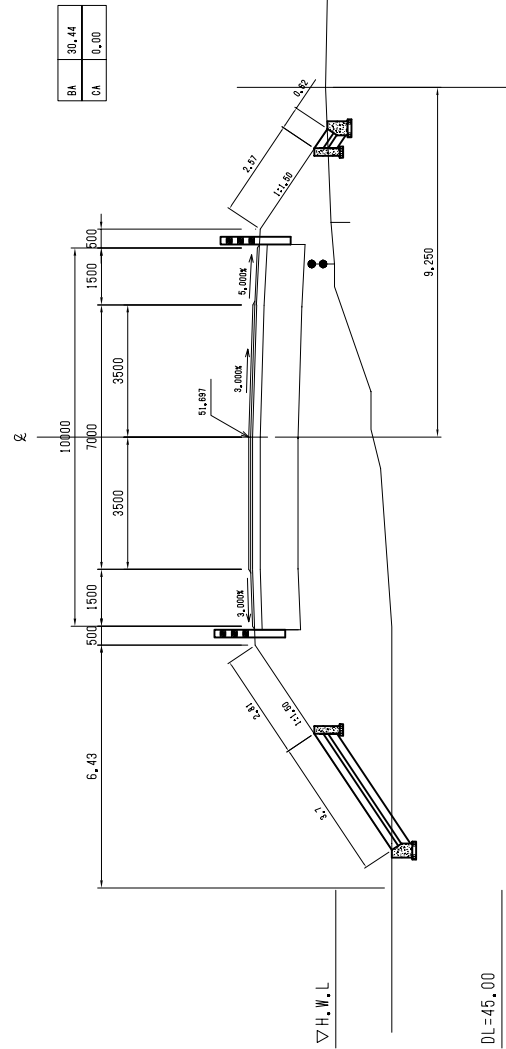
JAPAN INTERNATIONAL COOPERATION AGENCY  
KATAHIRA & ENGINEERS INTERNATIONAL

TITLE: SOUNBA BRIDGE  
CROSS SECTIONS OF ROAD (2)  
(NO. 8+0.00 - NO. 11+1.90)

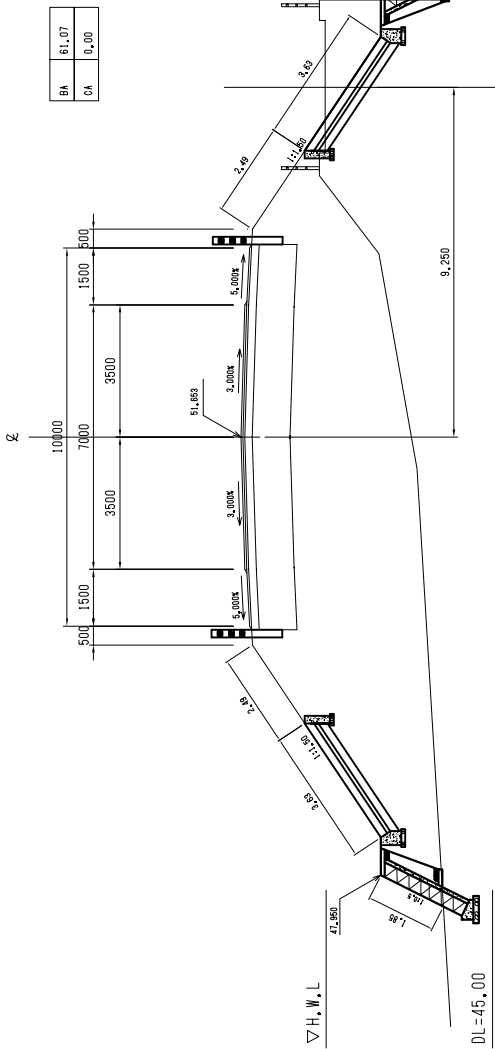
SCALE: S=1:100  
DRAWING No: S-12

# CROSS SECTIONS OF ROAD ( 3 ) (SOUNBA BRIDGE)

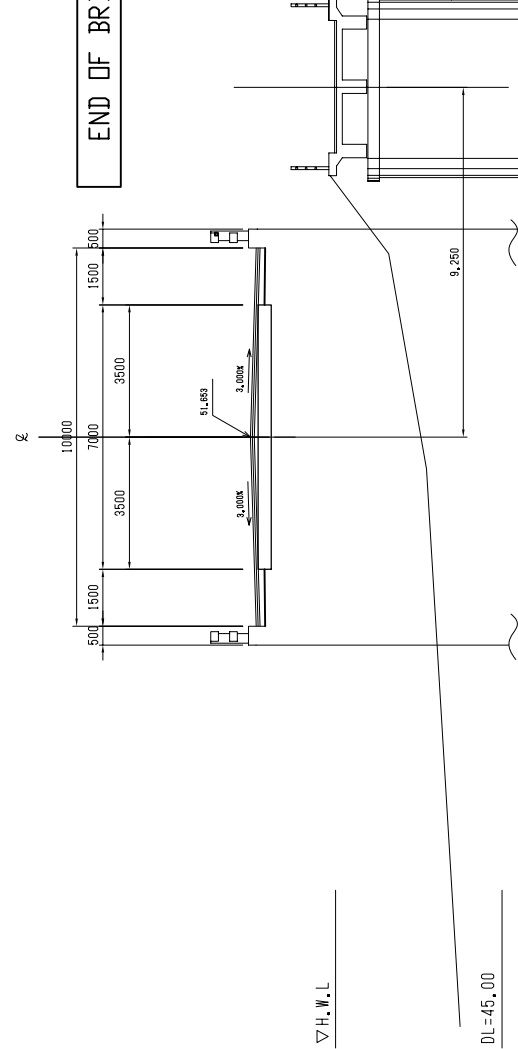
BC 2-0(N0.15+14.590)  
FH=51.687  
GH=51.653



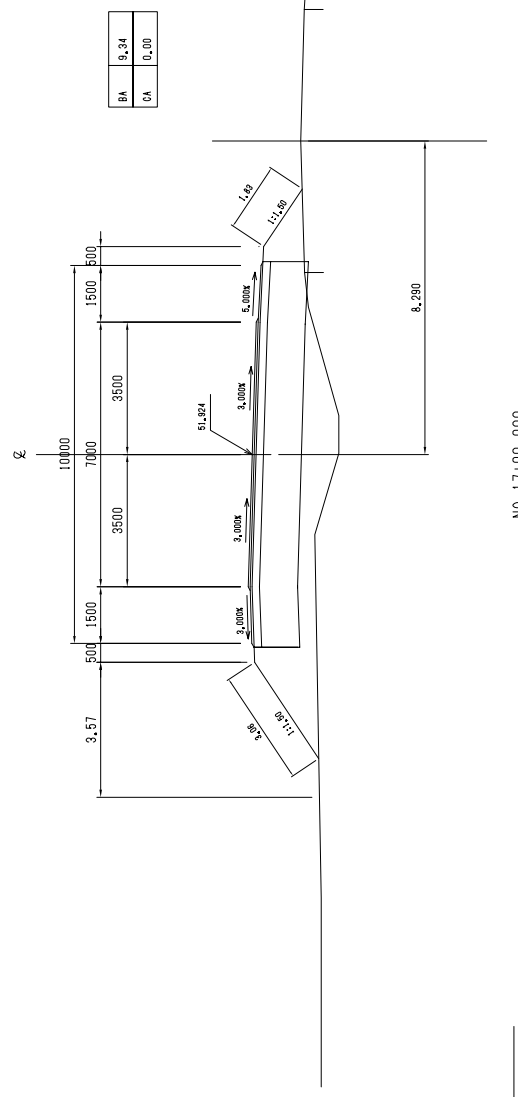
NO. 15+0.000  
FH=51.654  
GH=51.589



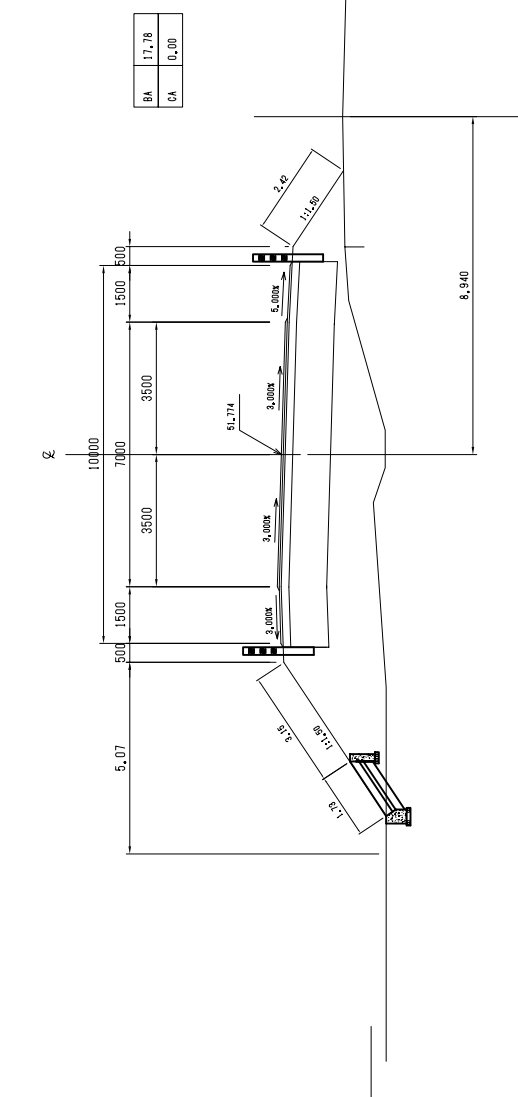
NO. 14+19.900  
FH=51.653  
GH=51.589



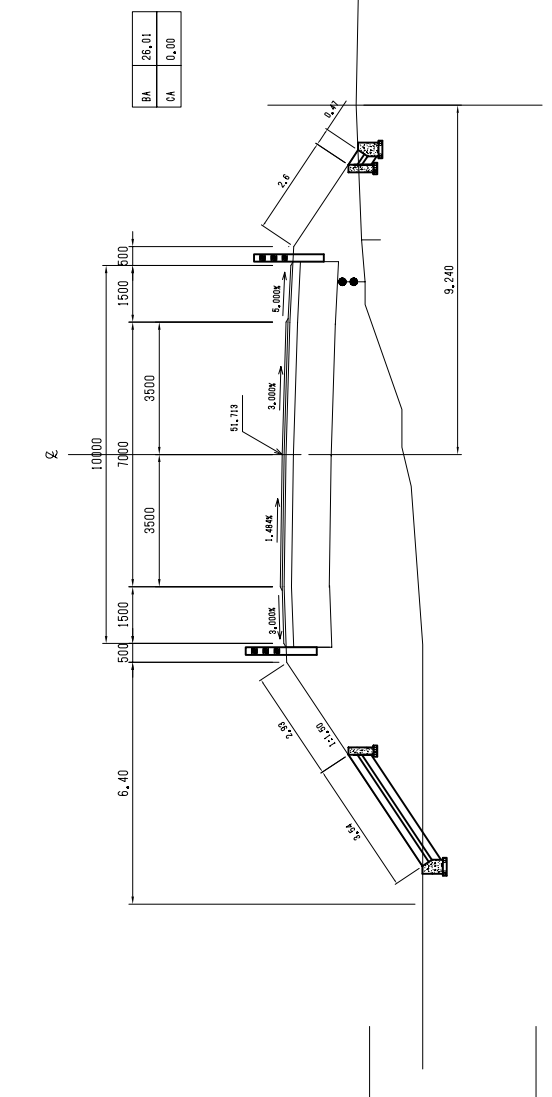
NO. 18+00.000  
FH=51.924  
GH=51.886



NO. 16+00.000  
FH=51.713  
GH=51.648



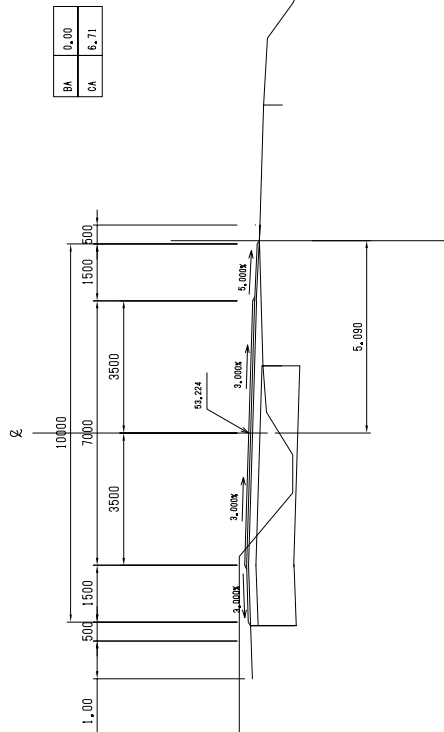
NO. 16+00.000  
FH=51.713  
GH=51.648



ROAD INVESTMENT DEPARTMENT MINISTRY OF PUBLIC WORKS, URBANIZATION AND HABITAT	BASIC DESIGN ON THE PROJECT FOR REHABILITATION OF BRIDGES ON ARTERIAL NATIONAL ROADS IN THE REPUBLIC OF GUINEA	JAPAN INTERNATIONAL COOPERATION AGENCY KATAHIRA & ENGINEERS INTERNATIONAL	TITLE: SOUNBA BRIDGE CROSS SECTIONS OF ROAD (3) (NO. 14+19.90 - NO. 18+00.00)	SCALE: S=1:100	DRAWING No: S-13
--	--	--	---	-------------------	---------------------

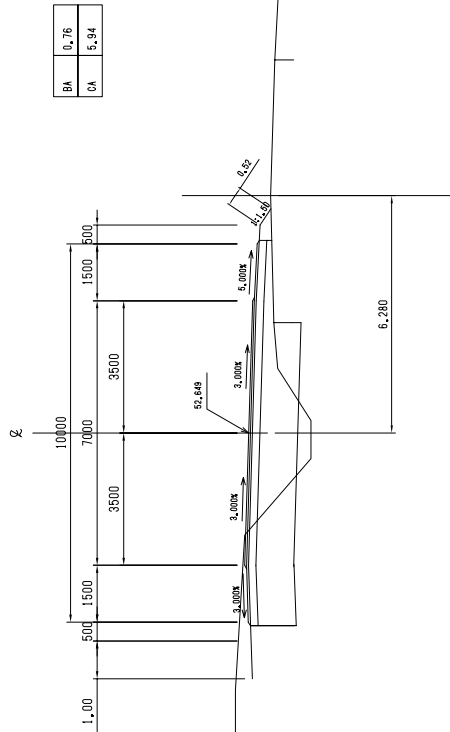
# CROSS SECTIONS OF ROAD ( 4 ) (SOUNBA BRIDGE)

NO. 21+00.000  
FH=53.224  
GH=53.242



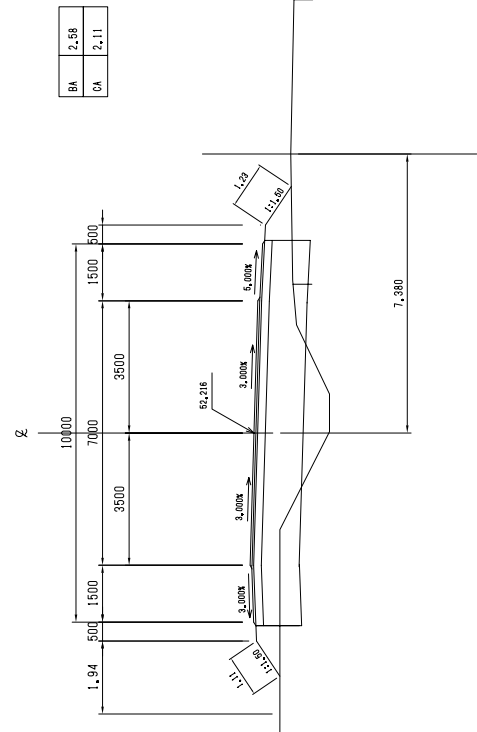
DL=45.00

NO. 20+00.000  
FH=52.649  
GH=52.650



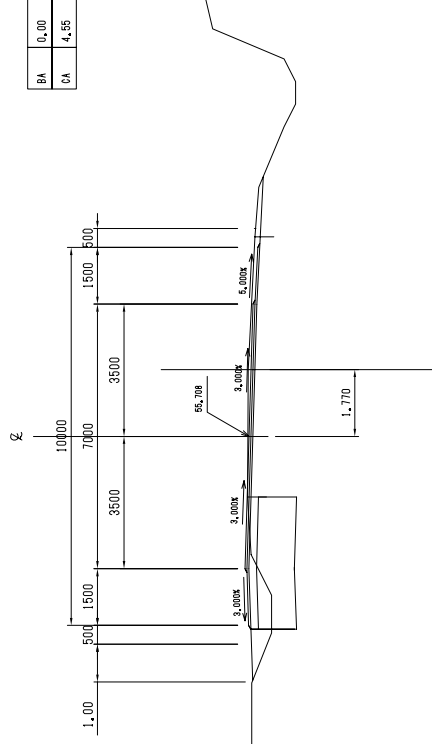
DL=45.00

NO. 19+00.000  
FH=52.216  
GH=52.198



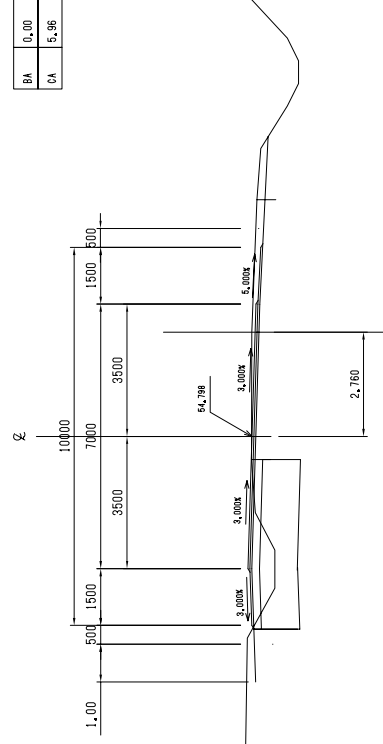
DL=45.00

NO. 24+00.000  
FH=55.708  
GH=55.743



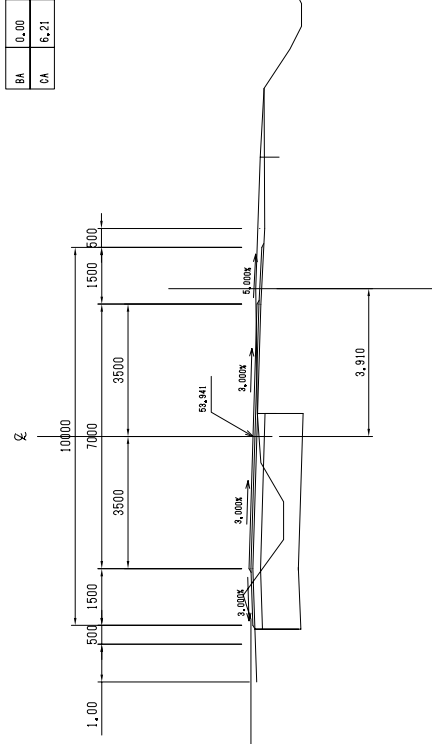
DL=50.00

NO. 23+00.000  
FH=54.798  
GH=54.841



DL=50.00

NO. 22+00.000  
FH=53.941  
GH=53.974



DL=50.00

ROAD INVESTMENT DEPARTMENT  
MINISTRY OF PUBLIC WORKS, URBANIZATION AND HABITAT

BASIC DESIGN ON THE PROJECT FOR  
REHABILITATION OF BRIDGES ON ARTERIAL  
NATIONAL ROADS IN THE REPUBLIC OF GUINEA

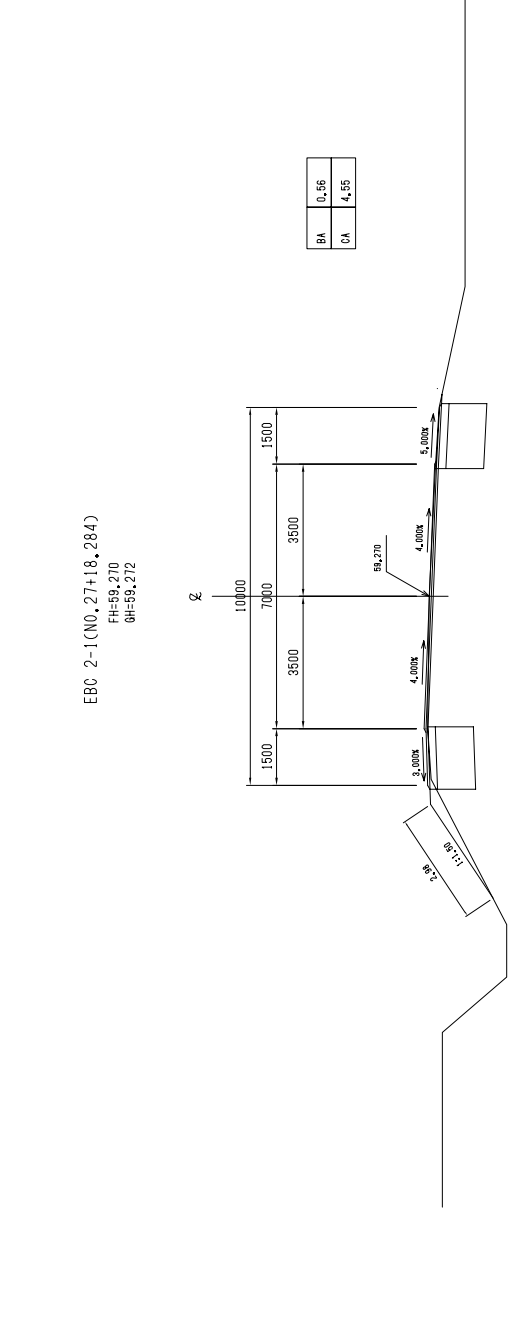
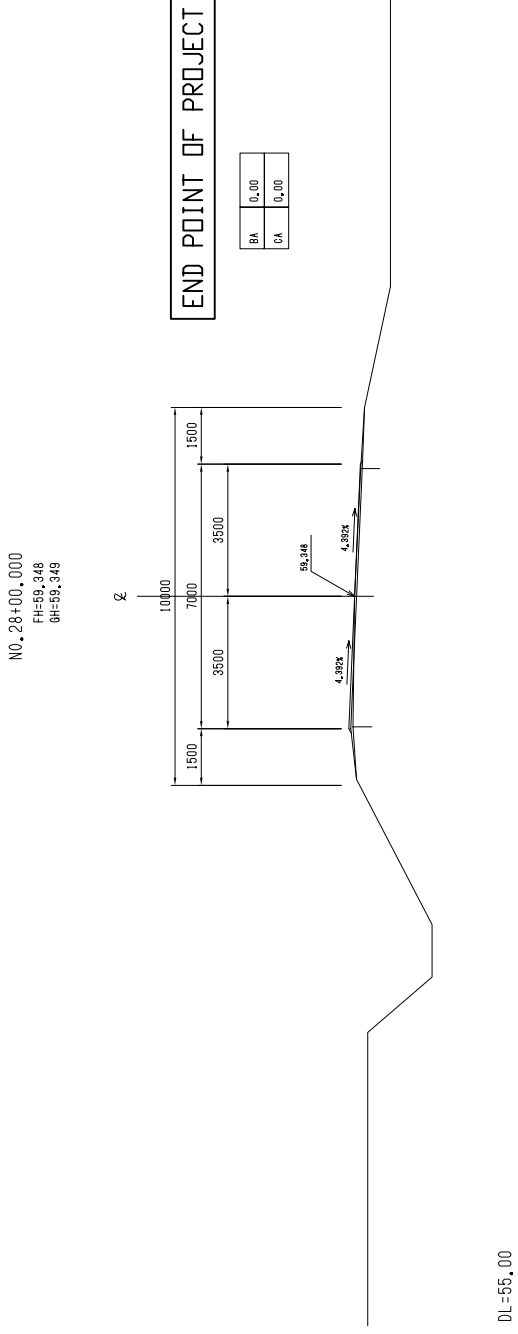
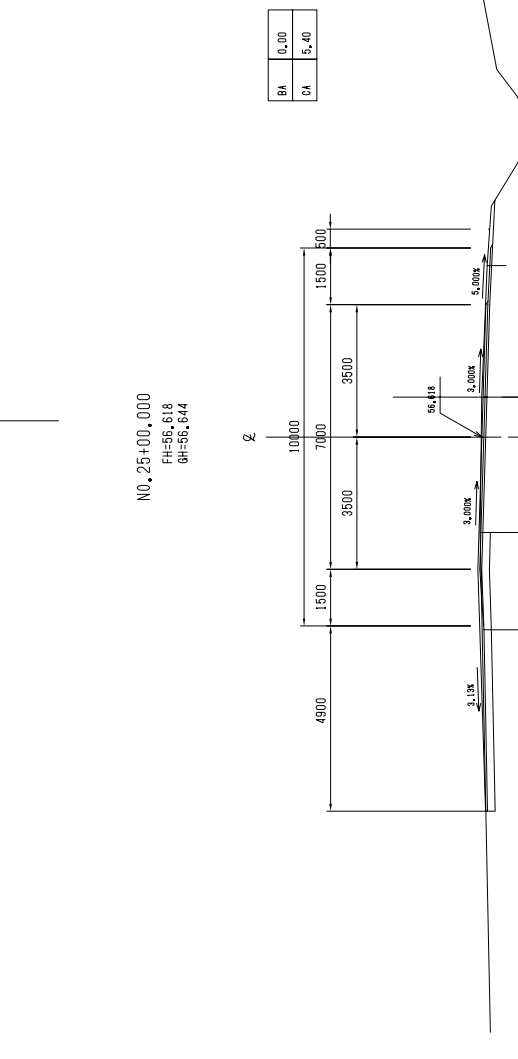
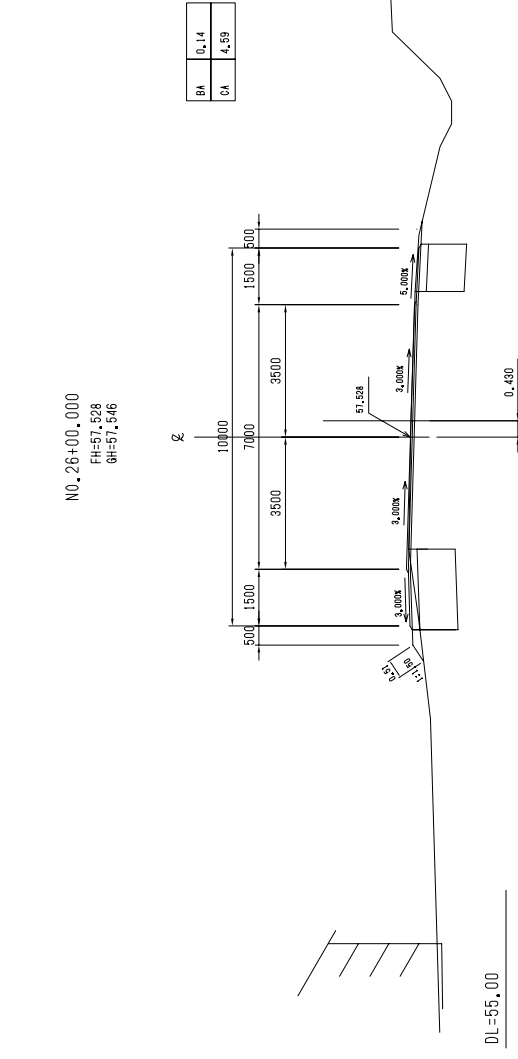
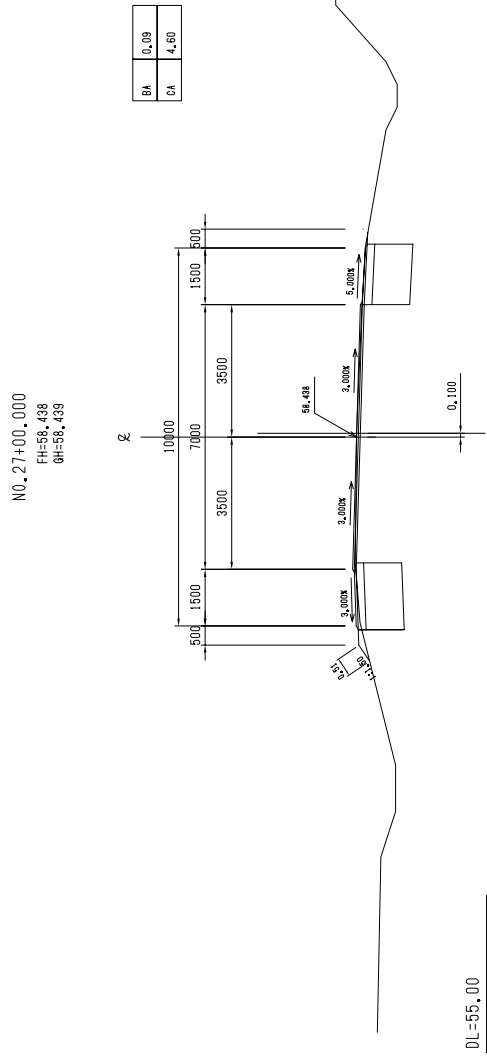
JAPAN INTERNATIONAL COOPERATION AGENCY  
KATAHIRA & ENGINEERS INTERNATIONAL

TITLE: SOUNBA BRIDGE  
CROSS SECTIONS OF ROAD (4)  
(NO. 19+0.00 - NO. 24+0.00)

SCALE:  
S=1:100

DRAWING No:  
S-14

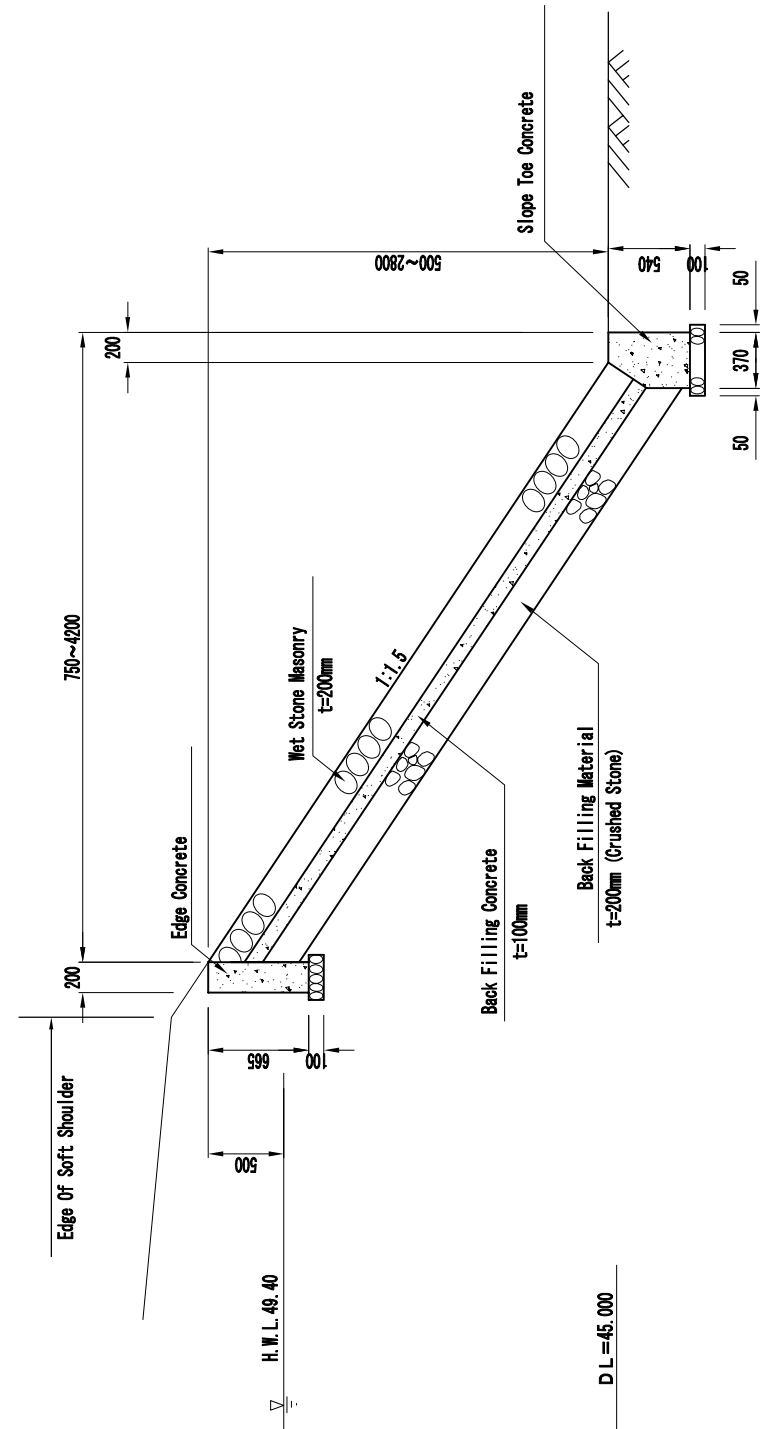
# CROSS SECTIONS OF ROAD ( 5 ) (SOUNBA BRIDGE)



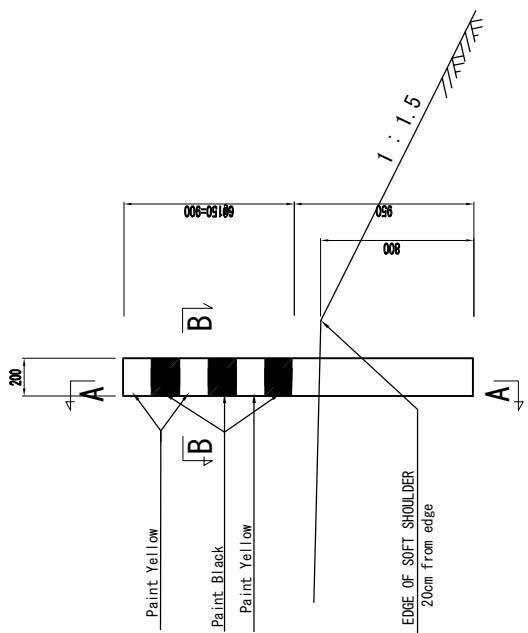
END POINT OF PROJECT

ROAD INVESTMENT DEPARTMENT MINISTRY OF PUBLIC WORKS, URBANIZATION AND HABITAT	BASIC DESIGN ON THE PROJECT FOR REHABILITATION OF BRIDGES ON ARTERIAL NATIONAL ROADS IN THE REPUBLIC OF GUINEA	JAPAN INTERNATIONAL COOPERATION AGENCY KATAHIRA & ENGINEERS INTERNATIONAL	TITLE: SOUNBA BRIDGE CROSS SECTIONS OF ROAD (5) (NO. 25+0.00 - NO. 28+0.00)	SCALE: S=1:100	DRAWING No: S-15
--	--	--	---	-------------------	---------------------

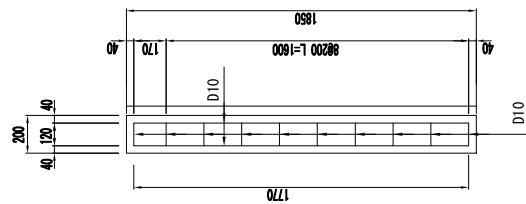
# GUIDE POST AND STON PITCHING (SOUNBA BRIDGE)



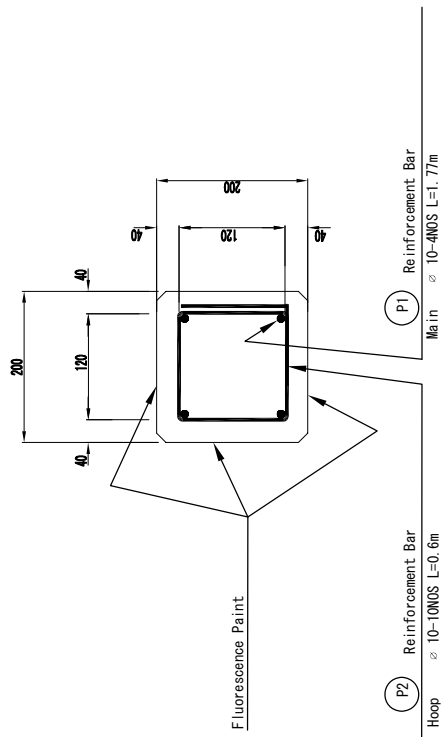
**STON PITCHING** Scale 1:25



**GUIDE POST** Scale 1:20



**DETAIL A-A** Scale 1:20

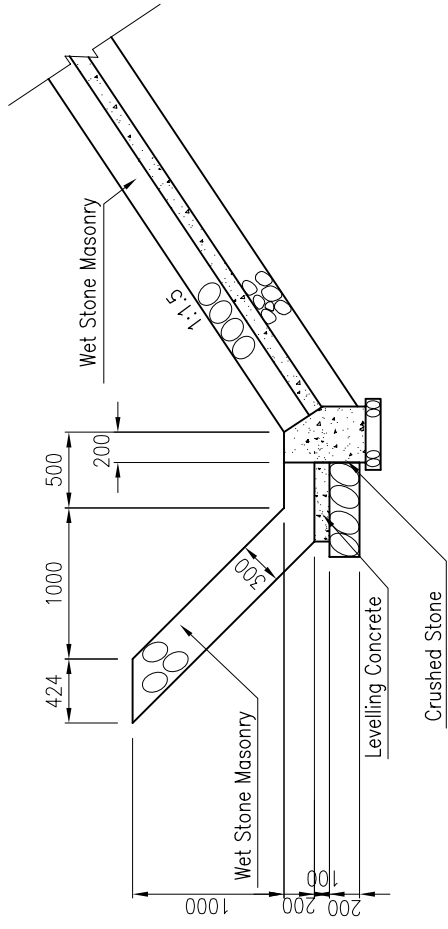


**DETAIL B-B** Scale 1:5

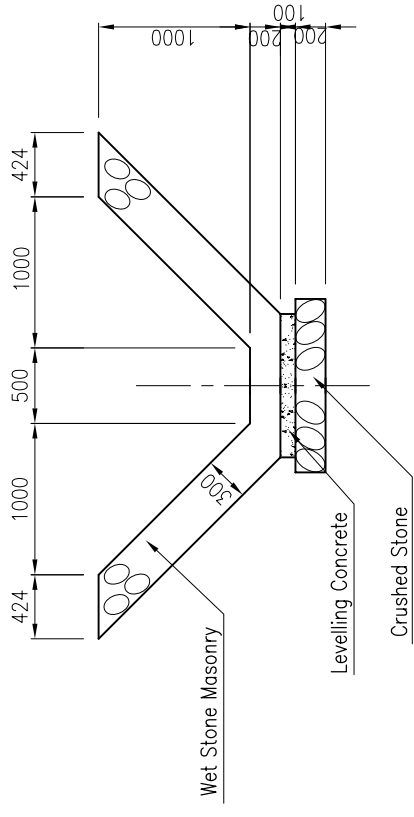
REBAR OF GUIDE POST						( kg/one post )	
MARK	DIA-METER	LENGTH mm	NO.	WEIGHT/m kg/m	WEIGHT/ONE kg	WEIGHT	REMARKS
P 1	D10	1770	4	0.616	1.090	4.4	
P 2	"	600	10	"	0.370	3.7	
						8.1	kg

SCHEDULE OF GUIDE POST						
STATION	LENGTH (m)	LEFT SIDE		RIGHT SIDE		
		Number (Nos.)	STATION	Number (Nos.)	LENGTH (m)	
6+0.0 to 11+1.9	101.9	52	14+19.9 to 17+0.0	40.1	21	
TOTAL (Left + Right)		= 52 x 2 + 41 x 2 = 186 Nos.				
NOTE: To be installed at the outer side of the curve at 2 meters interval						

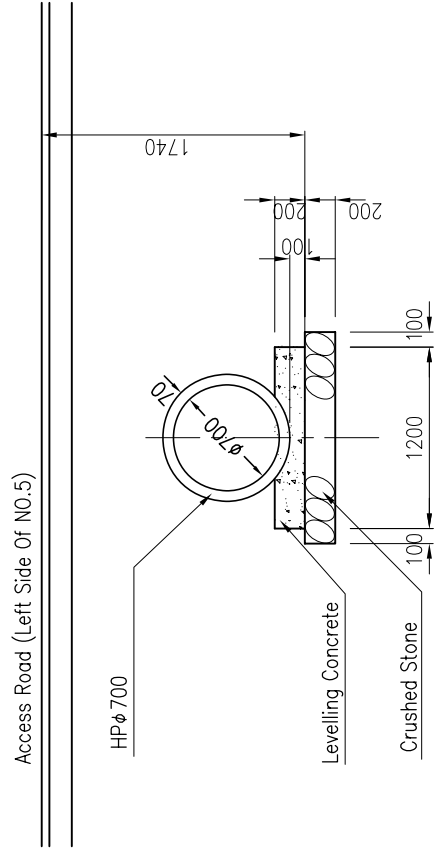
**DETAIL OF DRAINAGE  
(SOUNBA BRIDGE)**



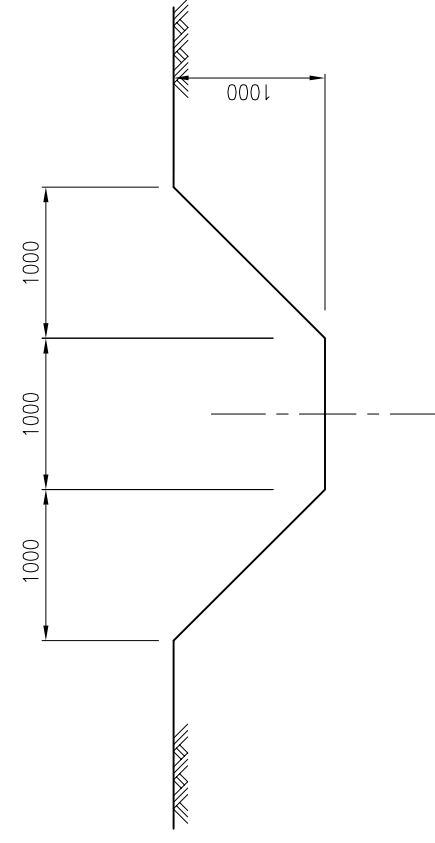
**V-Gutter Type 1**



**V-Gutter Type 2**



**Pipe Culvert**



**Soil Ditch**

ROAD INVESTMENT DEPARTMENT  
MINISTRY OF PUBLIC WORKS, URBANIZATION AND HABITAT

BASIC DESIGN ON THE PROJECT FOR  
REHABILITATION OF BRIDGES ON ARTERIAL  
NATIONAL ROADS IN THE REPUBLIC OF GUINEA

JAPAN INTERNATIONAL COOPERATION AGENCY  
KATAHIRA & ENGINEERS INTERNATIONAL

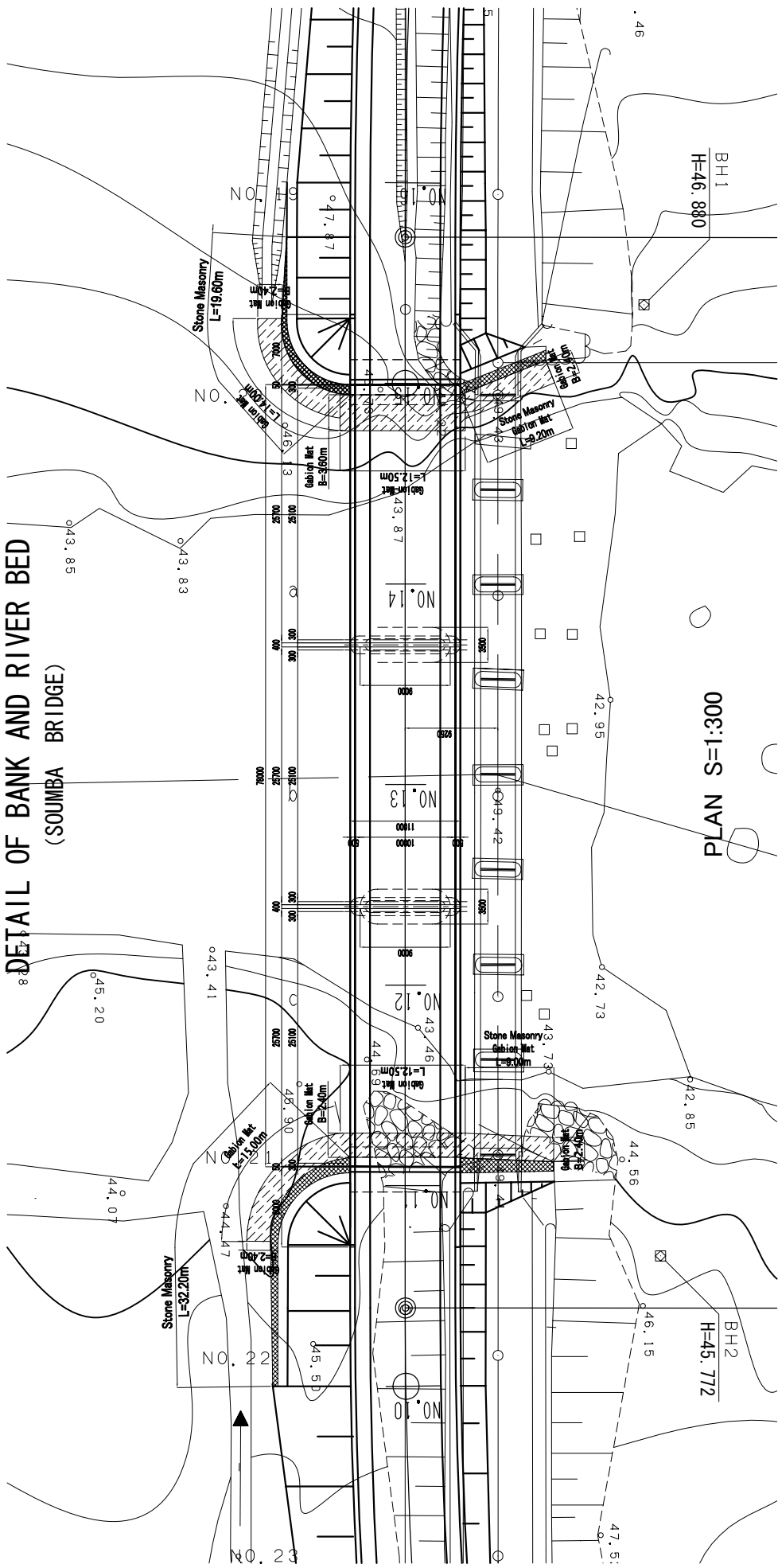
TITLE: SOUNBA BRIDGE  
DETAIL OF DRAINAGE

SCALE:  
S=1:25

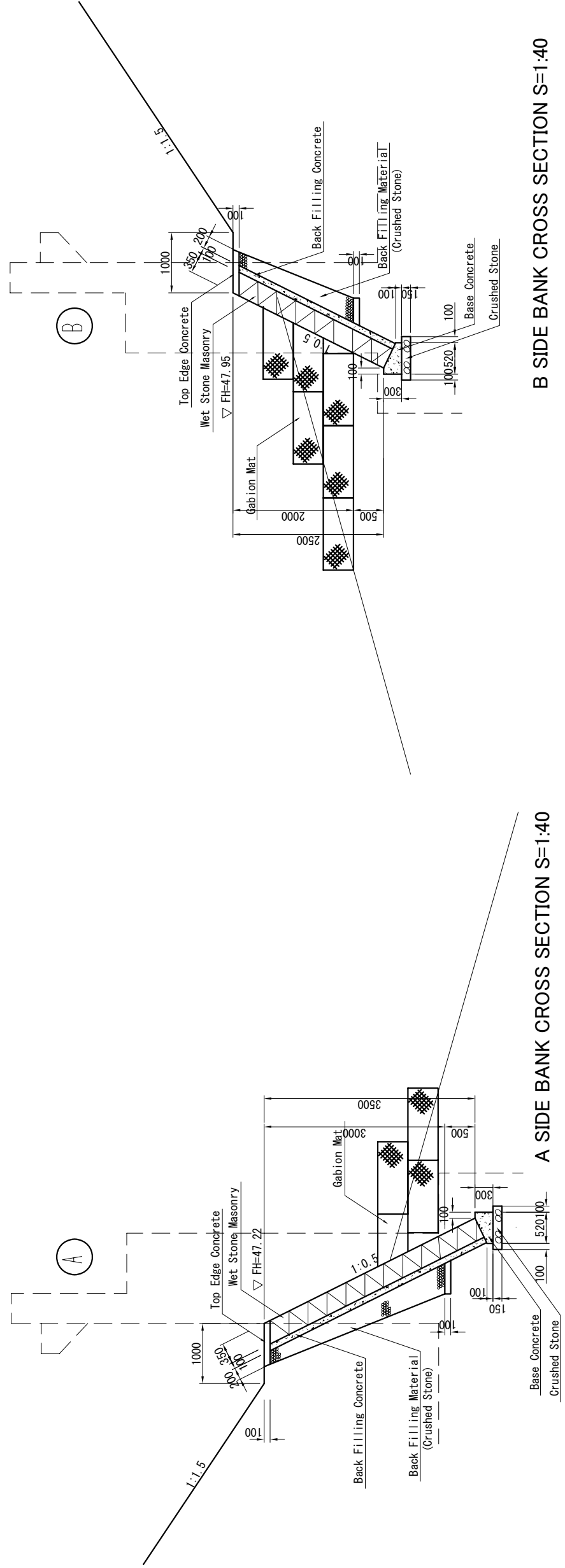
DRAWING No:  
S-17



DETAIL OF BANK AND RIVER BED  
(SOUNBA BRIDGE)



PLAN S=1:300



A SIDE BANK CROSS SECTION S=1:40

B SIDE BANK CROSS SECTION S=1:40

ROAD INVESTMENT DEPARTMENT MINISTRY OF PUBLIC WORKS, URBANIZATION AND HABITAT	BASIC DESIGN ON THE PROJECT FOR REHABILITATION OF BRIDGES ON ARTERIAL NATIONAL ROADS IN THE REPUBLIC OF GUINEA	JAPAN INTERNATIONAL COOPERATION AGENCY KATAHIRA & ENGINEERS INTERNATIONAL	TITLE: SOUNBA BRIDGE DETAIL OF BANK RIVER BED	SCALE: AS SHOWN	DRAWING No: S-18
--	--	--	--	--------------------	---------------------

