

3.2.3 基本設計図

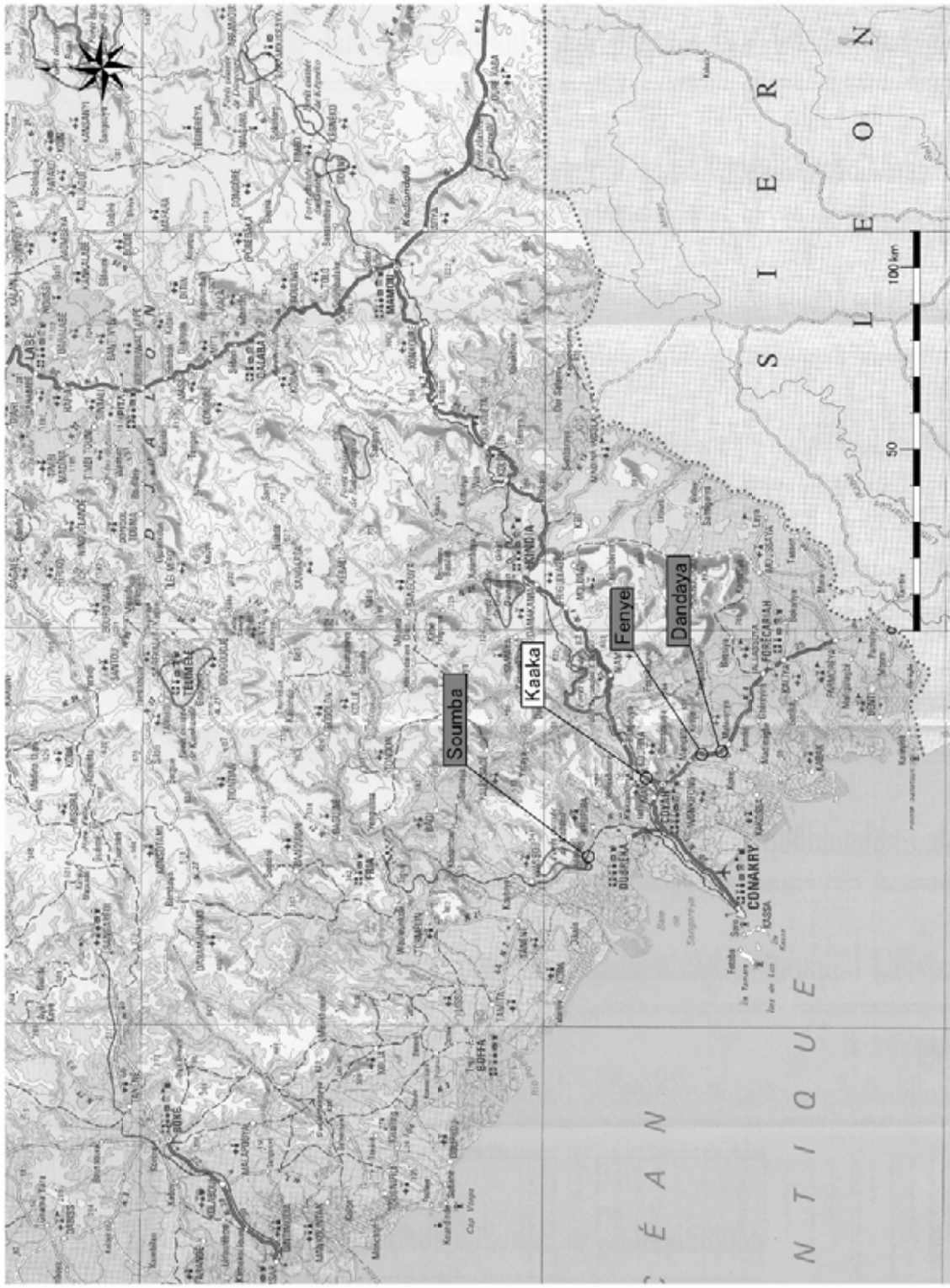
本計画の協力対象事業の内容を表 3.2.3-1 に示す。また、基本設計図をそれ以降に示す。

表 3.2.3-1 協力対象事業の内容

	カアカ橋	スンバ橋	ダンダヤ橋	フェンイエ橋
橋梁形式	3 径間桁連結方式 PCI 桁橋	3 径間桁連結方式 PCI 桁橋	3 径間単純 PCI 桁橋	4 径間桁連結方式 PCI 桁橋
橋長、径間長	60.0m = 18.0+22.0+20.0	78.0m = 25.95+26.10+25.95	57.0m = 14.975+27.05+14.975	108.0m=26.925+27.075*2+26.925
幅員	全幅：12.0m 車道：2 車線(4.00m+4.00m) 路肩：両側各 1.50m	全幅：11.0m 車道：2 車線 (3.50m+3.50m) 路肩：両側各 1.50m	全幅：11.0m 車道：2 車線 (3.50m+3.50m) 路肩：両側各 1.50m	全幅：11.0m 車道：2 車線 (3.50m+3.50m) 路肩：両側各 1.50m
橋面舗装	アスファルト舗装 (50mm)	アスファルト舗装 (50mm)	アスファルト舗装 (50mm)	アスファルト舗装 (50mm)
橋台形式	A1 橋台：逆 T 式 (場所打ち杭基礎) A2 橋台：逆 T 式 (場所打ち杭基礎)	A1 橋台：逆 T 式 (直接基礎) A2 橋台：逆 T 式 (直接基礎)	A1 橋台：逆 T 式 (場所打ち杭基礎) A2 橋台：逆 T 式 (直接基礎)	A1 橋台：逆 T 式 (直接基礎) A2 橋台：逆 T 式 (直接基礎)
橋脚形式	壁式 (場所打ち杭基礎)	壁式 (直接基礎)	壁式 (直接基礎)	壁式 (直接基礎)
護岸形式	練石積式、練石張式、じゃかご式	練石積式、練石張式、じゃかご式	練石積式、練石張式、じゃかご式	練石積式、練石張式、じゃかご式
取付道路	延長	左岸側：76.2m 右岸側：92.5m	左岸側：168.5m 右岸側：134.5m	左岸側：137.5m 右岸側：154.5m
	幅員	全幅：13.0m 車道：2 車線(4.00m+4.00m) 路肩：両側各 1.50m	全幅：11.0m 車道：2 車線 (3.50m+3.50m) 路肩：両側 1.50m	全幅：11.0m 車道：2 車線 (3.50m+3.50m) 路肩：両側 1.50m
河川工	舗装	アスファルト舗装 (50mm)	アスファルト舗装 (50mm)	DBST
		延長：196.0m	適用外	適用外

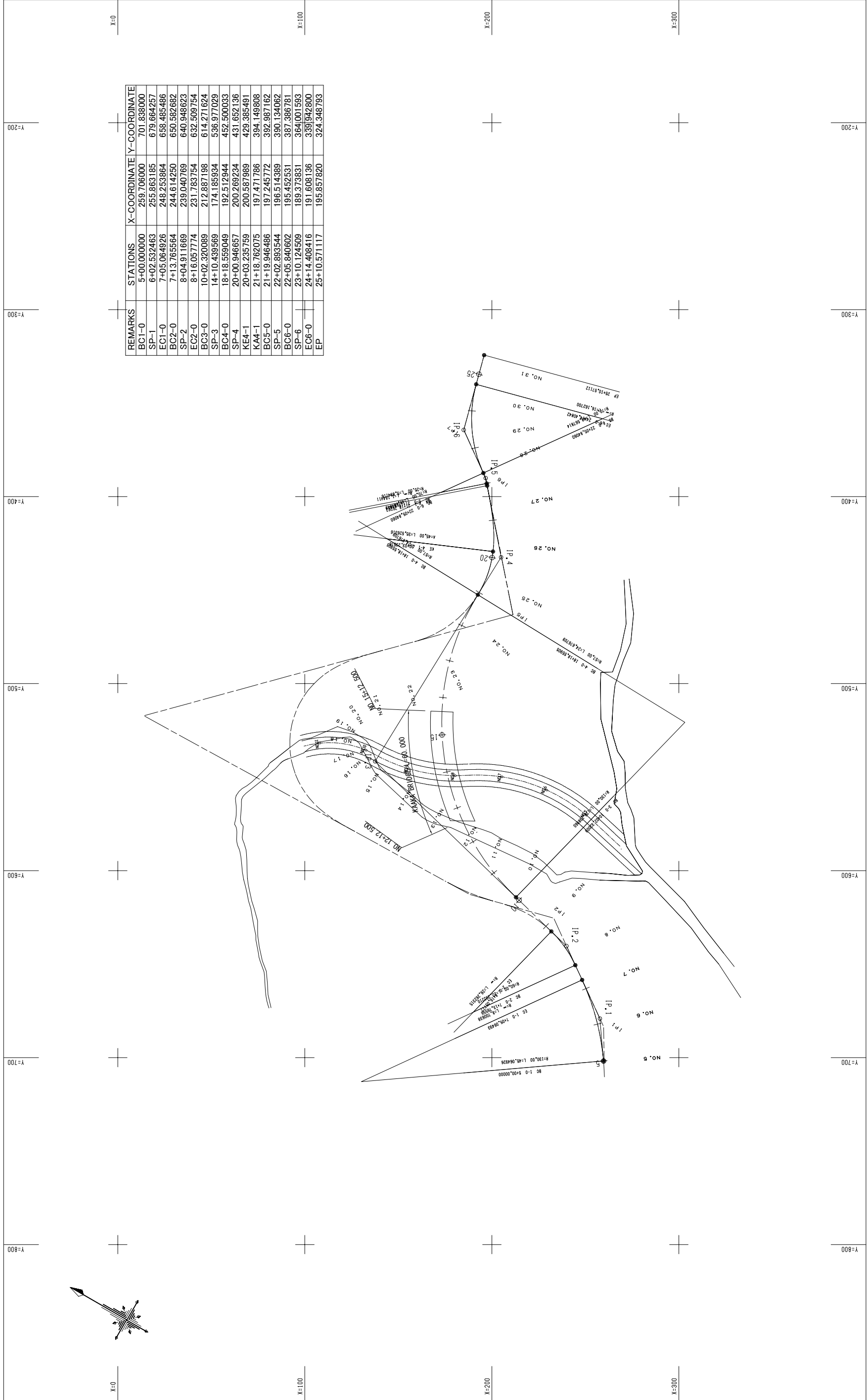
I N D E X

DRAWING NAME	SHEET NO	DRAWING NAME	SHEET NO	DRAWING NAME	SHEET NO	DRAWING NAME	SHEET NO
LOCATION MAP	K- 1	LOCATION MAP	S- 1	LOCATION MAP	D- 1	LOCATION MAP	F- 1
COORDINATION DRAWING	K- 2	COORDINATION DRAWING	S- 2	COORDINATION DRAWING	D- 2	COORDINATION DRAWING	F- 2
PLAN AND PROFILE	K- 3	PLAN AND PROFILE	S- 3	PLAN AND PROFILE	D- 3	PLAN AND PROFILE	F- 3
GENERAL VIEW OF KAAKA BRIDGE	K- 4	GENERAL VIEW OF SOMBABA BRIDGE	S- 4	GENERAL VIEW OF DANDAYA BRIDGE	D- 4	GENERAL VIEW OF FANYE BRIDGE	F- 4
STRUCTURE DRAWING OF SUPERSTRUCTURE	K- 5	STRUCTURE DRAWING OF SUPERSTRUCTURE	S- 5	STRUCTURE DRAWING OF SUPERSTRUCTURE	D- 5	STRUCTURE DRAWING OF SUPERSTRUCTURE	F- 5
COORDINATION OF SUPERSTRUCTURE (1) (2)	K- 6, 7	DETAILS OF EXPANSION JOINT AND DRAINAGE	S- 6	DETAILS OF EXPANSION JOINT AND DRAINAGE	D- 6	DETAILS OF EXPANSION JOINT AND DRAINAGE	F- 6
DETAILS OF EXPANSION JOINT AND DRAINAGE	K- 8	STRUCTURE DRAWING OF A ABUTMENT	S- 7	STRUCTURE DRAWING OF A ABUTMENT	D- 7	STRUCTURE DRAWING OF A ABUTMENT	F- 7
STRUCTURE DRAWING OF A ABUTMENT (1) (2)	K- 9, 10	STRUCTURE DRAWING OF B ABUTMENT	S- 8	STRUCTURE DRAWING OF B ABUTMENT	D- 8	STRUCTURE DRAWING OF B ABUTMENT	F- 8
STRUCTURE DRAWING OF B ABUTMENT (1) (2)	K- 11, 12	STRUCTURE DRAWING OF P1 PIER	S- 9	STRUCTURE DRAWING OF P1 PIER	D- 9	STRUCTURE DRAWING OF P1~P3 PIER	F- 9
STRUCTURE DRAWING OF P2 PIER	K- 13	TYPICAL CROSS SECTION OF APPROACH ROAD	S- 10	STRUCTURE DRAWING OF P2 PIER	D- 10	TYPICAL CROSS SECTION OF APPROACH ROAD	F- 10
COORDINATION OF SUBSTRUCTURE	K- 14	CROSS SECTIONS OF ROAD (1)~(5)	S- 11~15	TYPICAL CROSS SECTION OF APPROACH ROAD	D- 11	CROSS SECTIONS OF ROAD (1)~(4)	F- 11~14
TYPICAL CROSS SECTION OF ROAD	K- 15	GUIDE POST AND STONE PITTING	S- 16	CROSS SECTIONS OF ROAD (1)~(4)	D- 12~15	GUIDE POST AND STONE PITTING	F- 15
CROSS SECTIONS OF ROAD (1)~(8)	K- 16	DITCH AND TRAINAGE	S- 17	GUIDE POST AND STONE PITTING	D- 16	DETAIL OF BANK AND RIVERBED	F- 16
GUARDRAIL AND STONE PITTING	K- 17~24	DETAIL OF BANK AND RIVERBED	S- 18	DETAIL OF BANK AND RIVERBED	D- 17	ELEVATION OF WETSTONMEASORRY	F- 17
GENERAL PLAN OF DRAINAGE	K- 25	ELEVATION OF WETSTONMEASORRY	S- 19	ELEVATION OF WETSTONMEASORRY	D- 18		
DETAIL OF TRAINAGE (1) (2)	K- 26						
DETAIL OF BANK AND RIVERBED	K- 27, 28						
ELEVATION OF WETSTONMEASORRY	K- 29						
GENERAL VIEW OF RIVER	K- 30						
CROSS SECTIONS OF RIVER (1) (2)	K- 31						
	K- 32, 33						



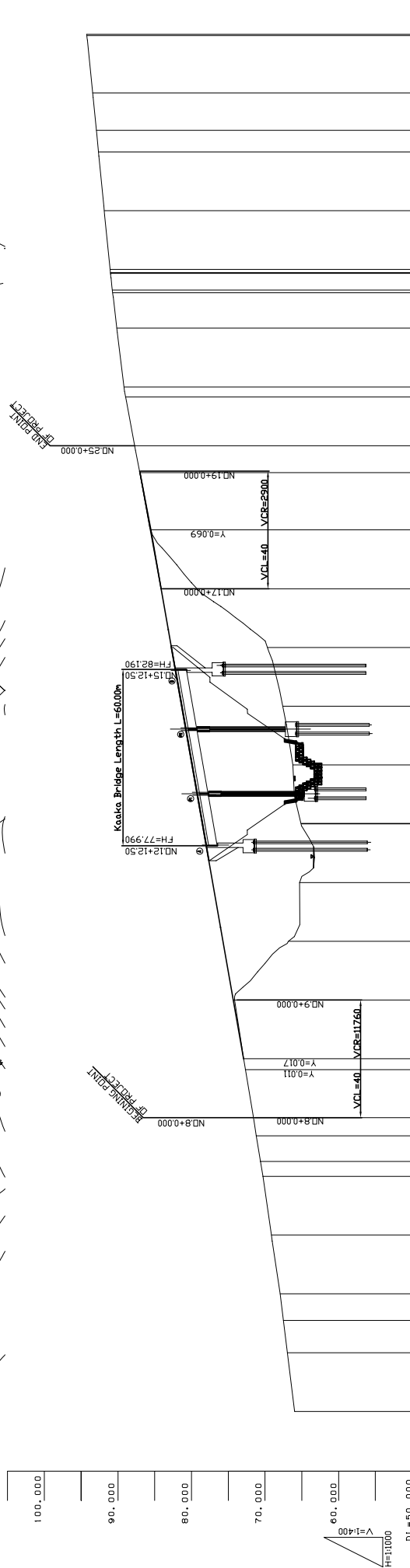
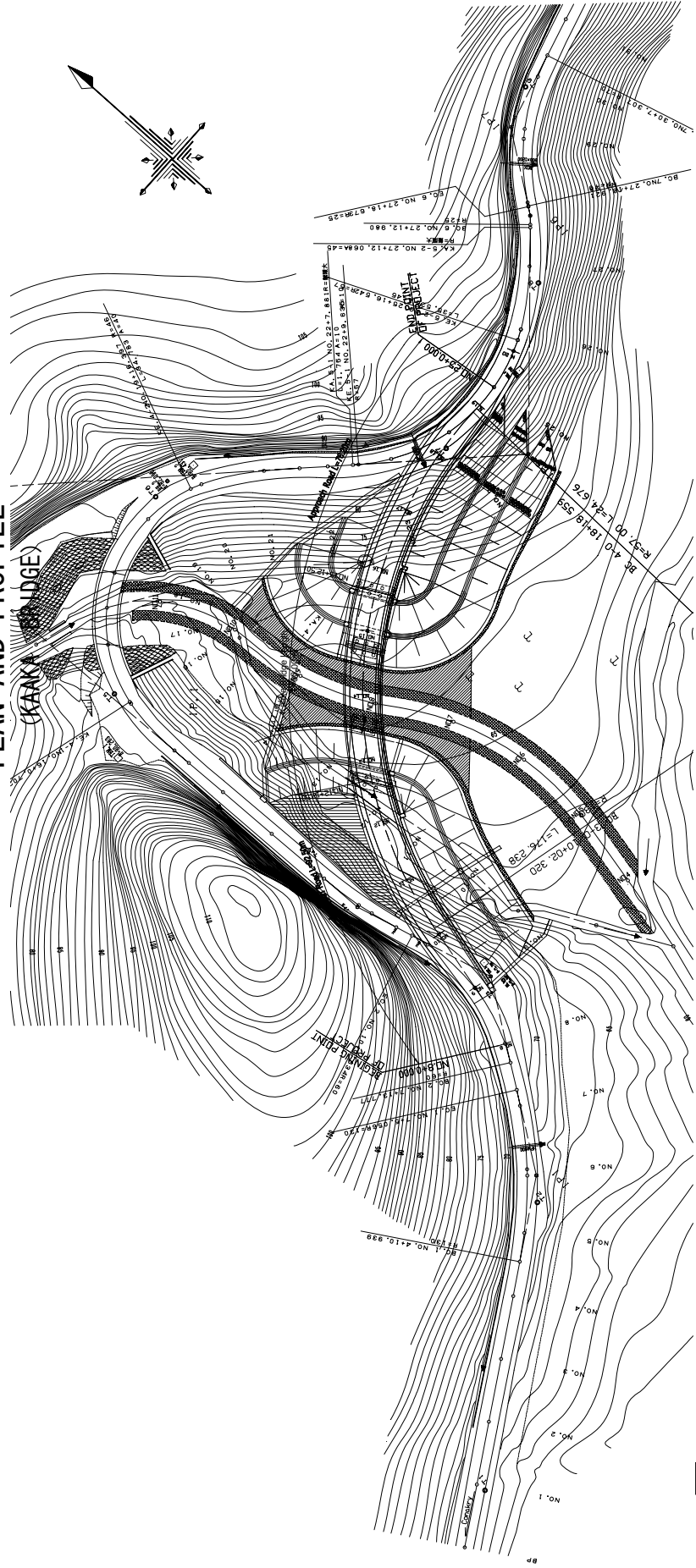
ROAD INVESTMENT DEPARTMENT MINISTRY OF PUBLIC WORKS, ORGANIZATION AND HABITAT	BASIC DESIGN ON THE PROJECT FOR REHABILITATION OF BRIDGES ON ARTERIAL NATIONAL ROADS IN THE REPUBLIC OF GUINEA	JAPAN INTERNATIONAL COOPERATION AGENCY KATAHIRA & ENGINEERS INTERNATIONAL	TITLE: NAKA BRIDGE LOCATION MAP DRAWING No. K-1
--	--	--	--

COORDINATION DRAWING (KAAKA BRIDGE)



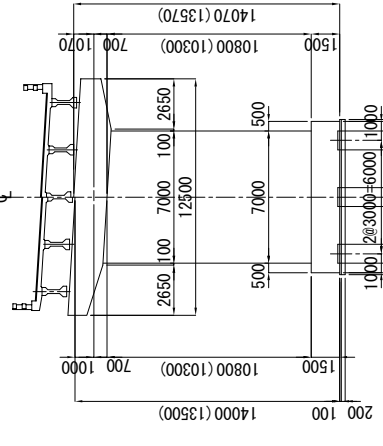
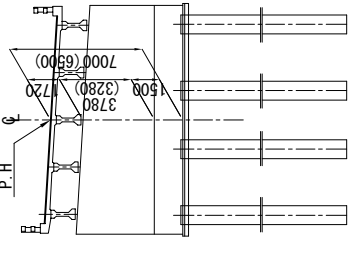
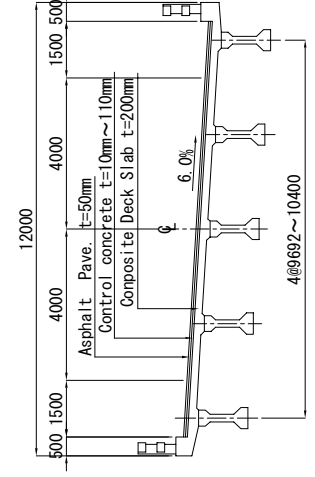
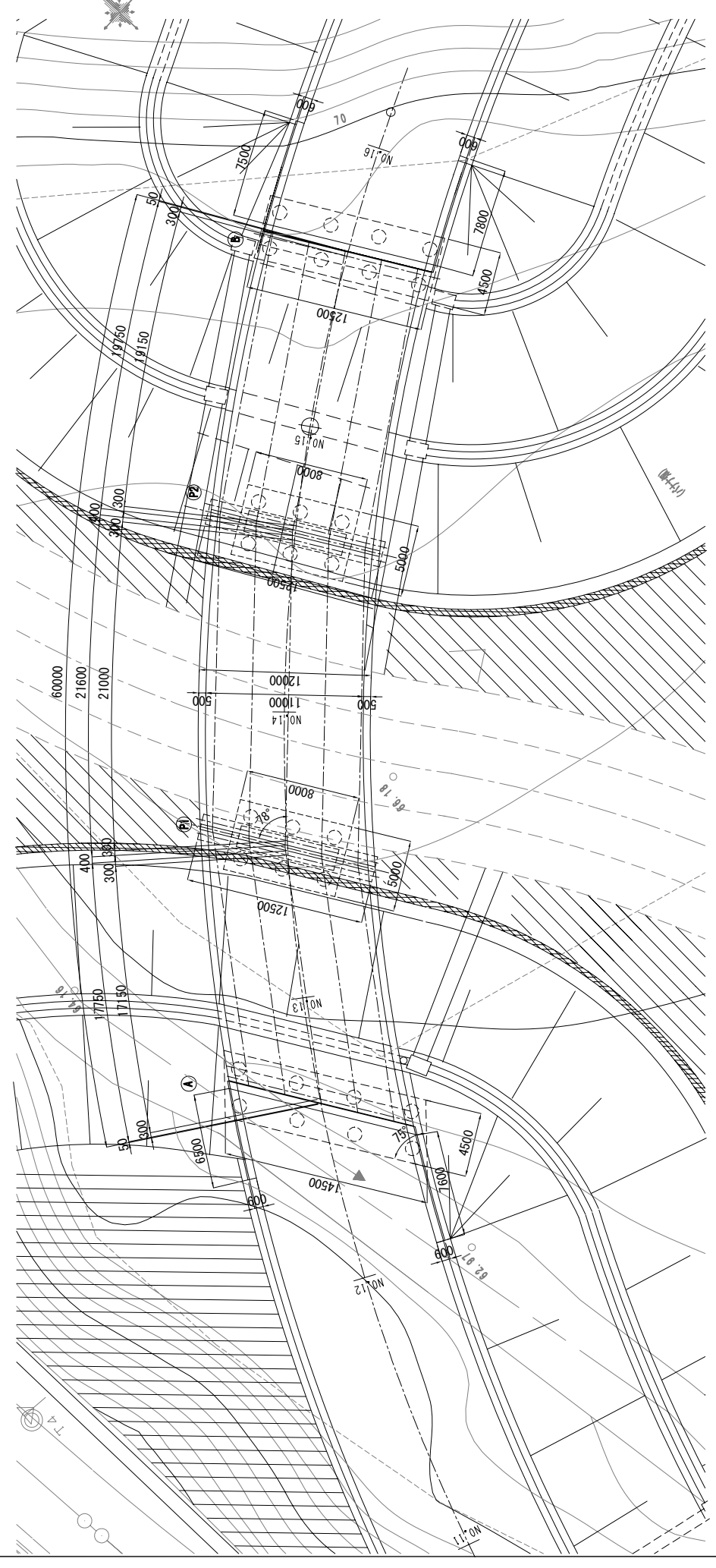
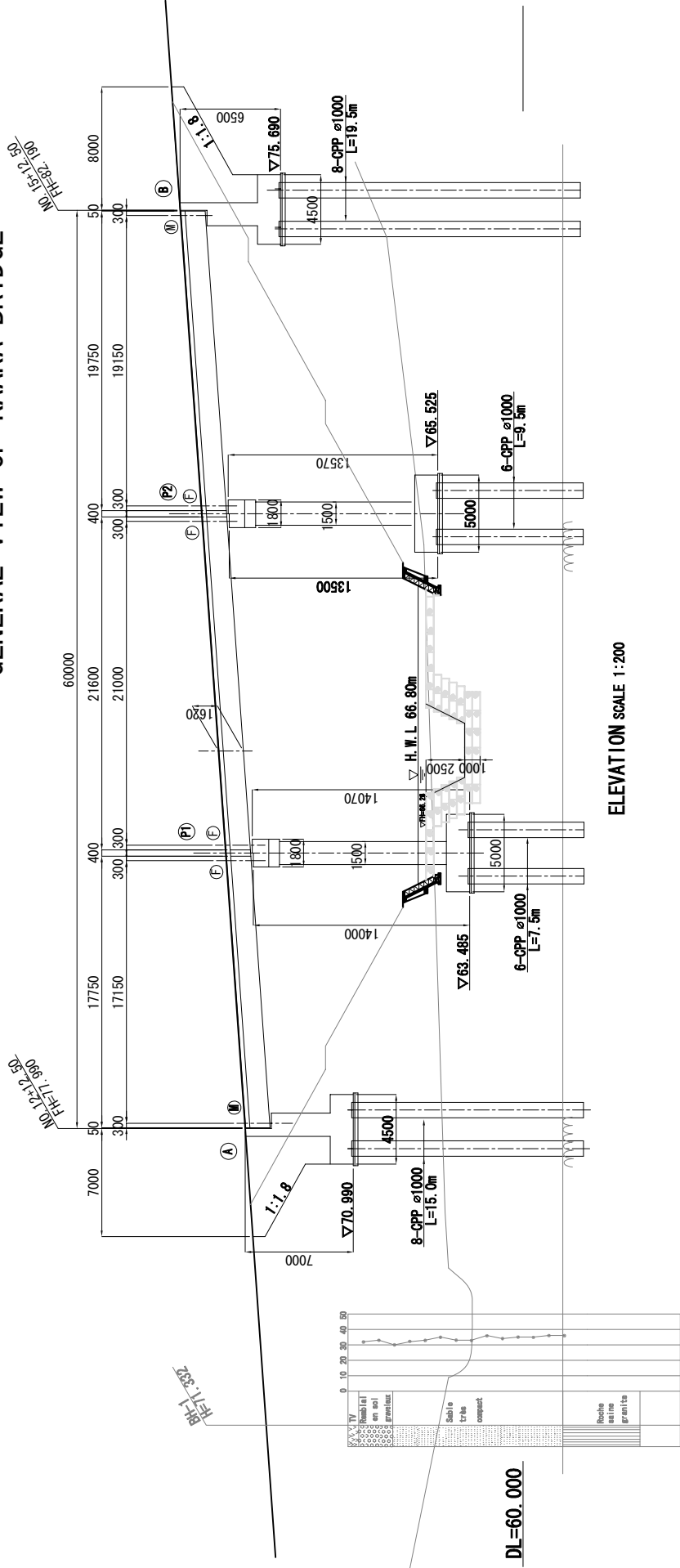
ROAD INVESTMENT DEPARTMENT MINISTRY OF PUBLIC WORKS, URBANIZATION AND HABITAT	BASIC DESIGN ON THE PROJECT FOR REHABILITATION OF BRIDGES ON ARTERIAL NATIONAL ROADS IN THE REPUBLIC OF GUINEA	JAPAN INTERNATIONAL COOPERATION AGENCY KATAHIRA & ENGINEERS INTERNATIONAL	TITLE: KAAKA BRIDGE COORDINATION DRAWING
		SCALE: S=1:1000	DRAWING No: K-2

PLAN AND PROFILE

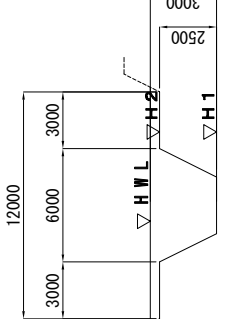
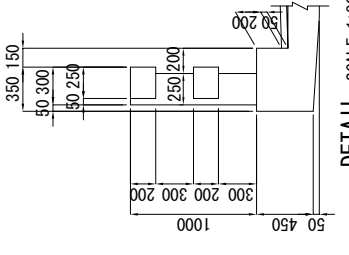


VERTICAL ALIGNMENT	PAVEMENT HEIGHT	GROUND HEIGHT	INTERVAL	STATION	HORIZONTAL CURVATURE	SUPER ELEVATION
				NO. 3		
				NO. 4		
				NO. 5		
				NO. 6		
				NO. 7		
				NO. 8		
				NO. 9		
				NO. 10		
				NO. 11		
				NO. 12		
				NO. 13		
				NO. 14		
				NO. 15		
				NO. 16		
				NO. 17		
				NO. 18		
				NO. 19		
				NO. 20		
				NO. 21		
				NO. 22		
				NO. 23		
				NO. 24		
				NO. 25		
				NO. 26		
				NO. 27		
				NO. 28		
				NO. 29		
				NO. 30		
				NO. 31		
				NO. 32		

GENERAL VIEW OF KAKA BRIDGE



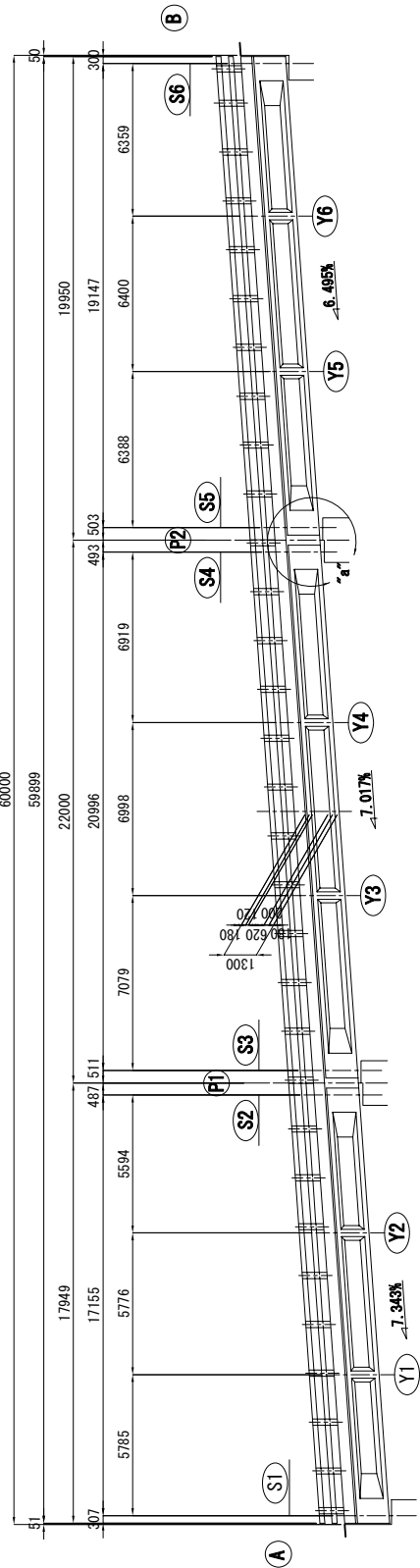
(A) (B)



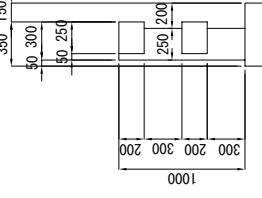
ROAD INVESTMENT DEPARTMENT MINISTRY OF PUBLIC WORKS, URBANIZATION AND HABITAT	JAPAN INTERNATIONAL COOPERATION AGENCY KATAHIRA & ENGINEERS INTERNATIONAL	TITLE: GENERAL VIEW OF KAKA BRIDGE	SCALE: S=1:200	DRAWING No: K-4
--	--	---------------------------------------	-------------------	--------------------

STRUCTURE DRAWING OF SUPERSTRUCTURE (KAAKA BRIDGE)

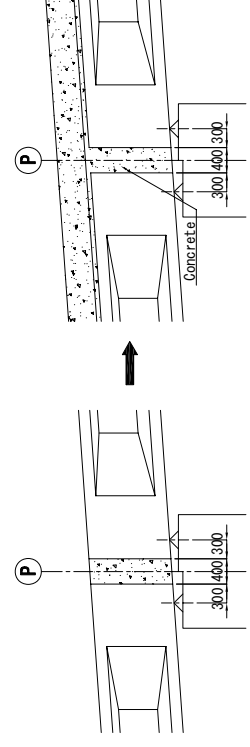
ELEVATION SCALE 1:150



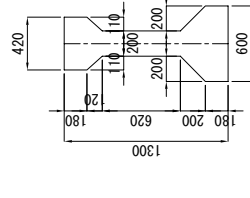
DETAIL OF RAILING
SCALE 1:30



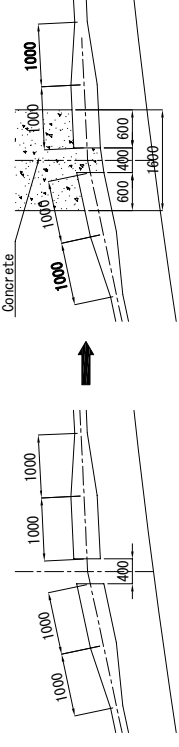
"a" DETAIL SCALE 1:60



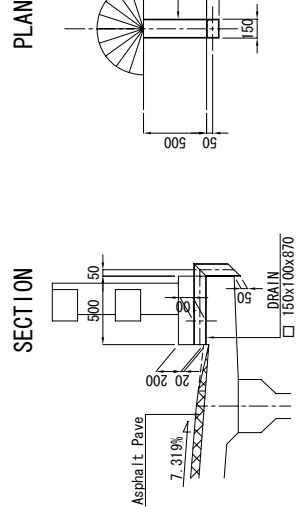
DETAIL OF GIRDER
SCALE 1:30



"b" DETAIL SCALE 1:60



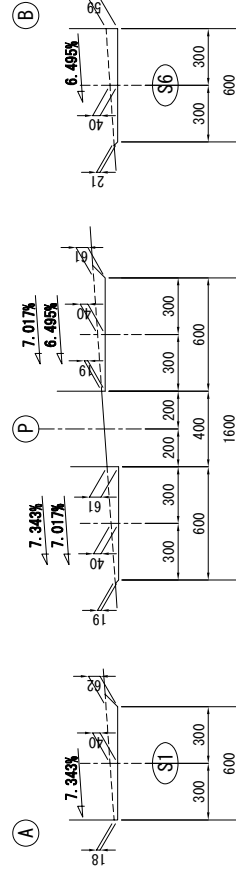
DRAINAGE SCALE 1:30



SECTION

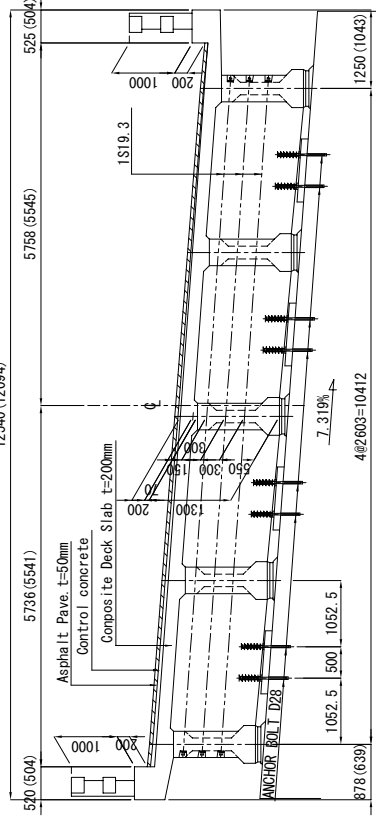
PLAN

LEADER DETAIL SCALE 1:20

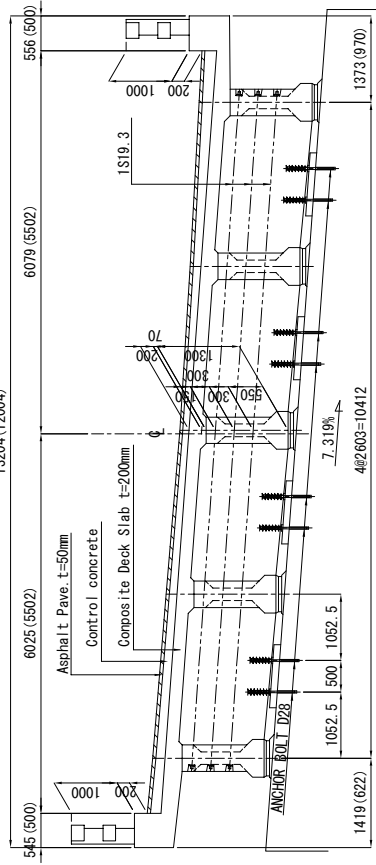


BRIDGE CROSS SECTION SCALE 1:60

(P1), ((P2))



(S1), ((S6))



BASIC DESIGN ON THE PROJECT FOR
REHABILITATION OF BRIDGES ON ARTERIAL
NATIONAL ROADS IN THE REPUBLIC OF GUINEA

ROAD INVESTMENT DEPARTMENT
MINISTRY OF PUBLIC WORKS, URBANIZATION AND HABITAT

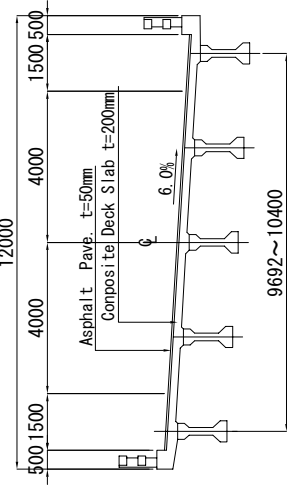
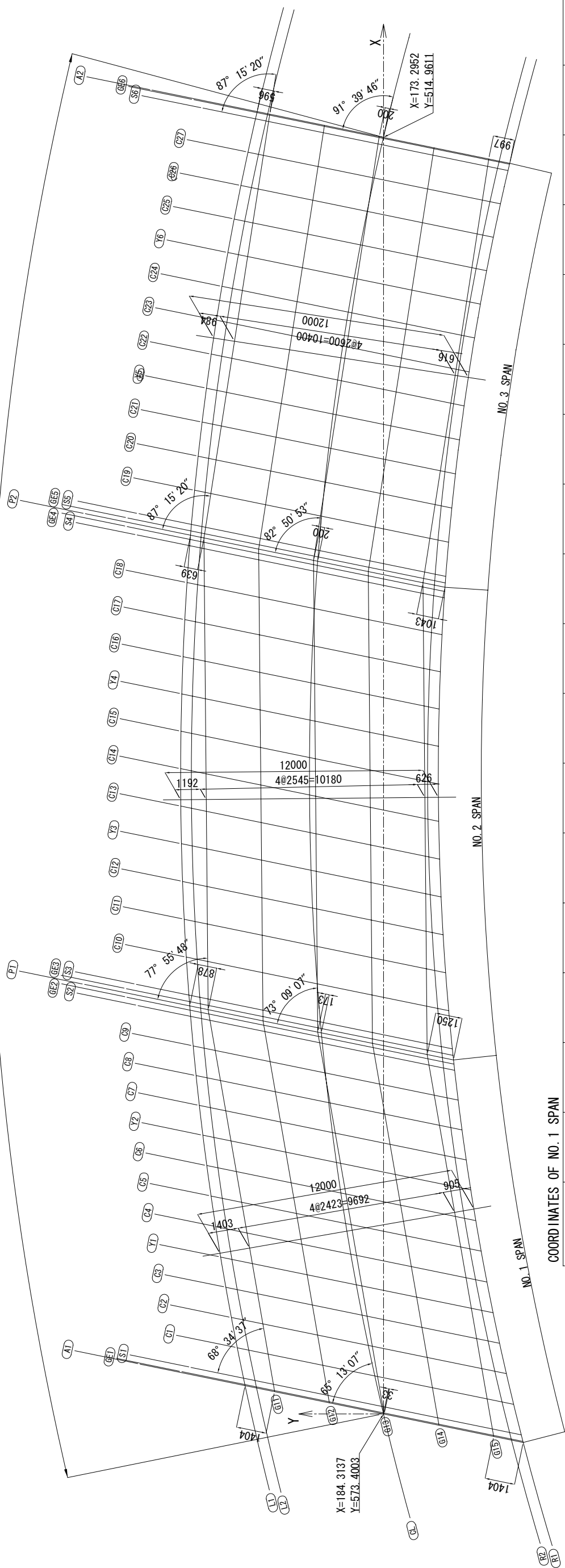
JAPAN INTERNATIONAL COOPERATION AGENCY
KATAHIRA & ENGINEERS INTERNATIONAL

TITLE: KAAKA BRIDGE
STRUCTURE DRAWING OF SUPERSTRUCTURE

SCALE: S=1:150
DRAWING No: K-5

COORDINATION OF SUPERSTRUCTURE (1) (KAKKA BRIDGE)

60000



BRIDGE CROSS SECTION SCALE 1:100

COORDINATES OF NO. 1 SPAN

L1	A1		GE1		S1		C1		C2		C3		Y1		C4		C5		C6		Y2		C7		C8		C9		S2		GE2		P1			
	X	Y	Z	H	X	Y	Z	H	X	Y	Z	H	X	Y	Z	H	X	Y	Z	H	X	Y	Z	H	X	Y	Z	H	X	Y	Z	H				
L2	1.3181	1.3677	1.6657	3.0803	4.4915	5.8995	7.3042	8.7291	10.1508	11.5692	12.9944	14.3733	15.7592	17.1421	18.5221	19.9051																				
G11	6.4444	6.4550	6.5182	7.0630	7.6087	8.1534	8.6981	9.2428	9.7875	10.3299	10.8731	11.4162	11.9593	12.5024	13.0455	13.5886																				
G12	78.7045	78.7079	78.7283	78.8249	78.9211	79.0169	79.1123	79.2078	79.3031	79.4009	79.4964	79.5900	79.6832	79.7762	79.8689	79.9613																				
CL	1.2087	1.2884	1.3681	1.4477	1.5273	1.6068	1.6863	1.7658	1.8453	1.9248	2.0043	2.0838	2.1633	2.2428	2.3223	2.4018																				
G13	5.9095	5.9202	5.9839	6.5286	7.0732	7.6178	8.1624	8.7070	9.2516	9.7962	10.3408	10.8854	11.4300	11.9746	12.5192	13.0638																				
G14	78.4898	78.4932	78.5137	78.6107	78.7074	78.8035	78.8993	79.0099	79.0929	79.1892	79.2850	79.3790	79.4727	79.5660	79.6591	79.7522																				
G15	1.0366	1.0859	1.1315	1.1766	1.2216	1.2666	1.3116	1.3566	1.4016	1.4466	1.4916	1.5366	1.5816	1.6266	1.6716	1.7166																				
R2	5.0684	5.0770	5.1284	5.3727	5.6170	5.8613	6.1056	6.3499	6.5942	6.8385	7.0828	7.3271	7.5714	7.8157	8.0599	8.3042																				
R1	78.4194	78.4226	78.4421	78.5355	78.6288	78.7250	78.8212	78.9199	79.0195	79.1200	79.2214	79.3219	79.4232	79.5253	79.6281	79.7309																				

ROAD INVESTMENT DEPARTMENT
MINISTRY OF PUBLIC WORKS, URBANIZATION AND HABITAT

JAPAN INTERNATIONAL COOPERATION AGENCY
KATAHIRA & ENGINEERS INTERNATIONAL

BASIC DESIGN ON THE PROJECT FOR
REHABILITATION OF BRIDGES ON ARTERIAL
NATIONAL ROADS IN THE REPUBLIC OF GUINEA

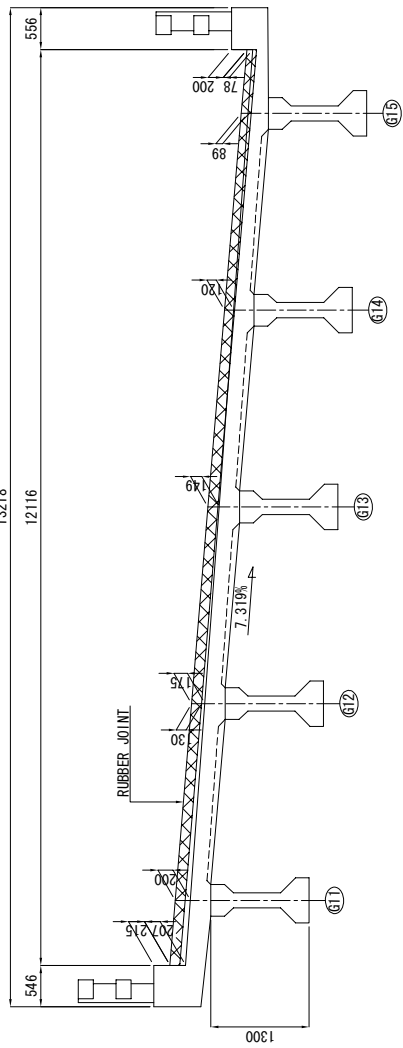
TITLE : KAKKA BRIDGE
SCALE :
S=1:100

COORDINATION OF SUPERSTRUCTURE (1)

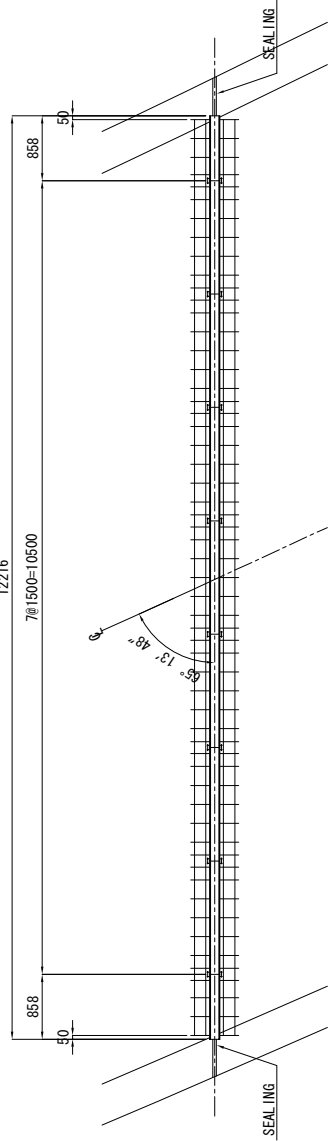
DRAWING No:
K-6

DETAILS OF EXPANSION JOINT AND DRAINAGE (KAAKA BRIDGE)

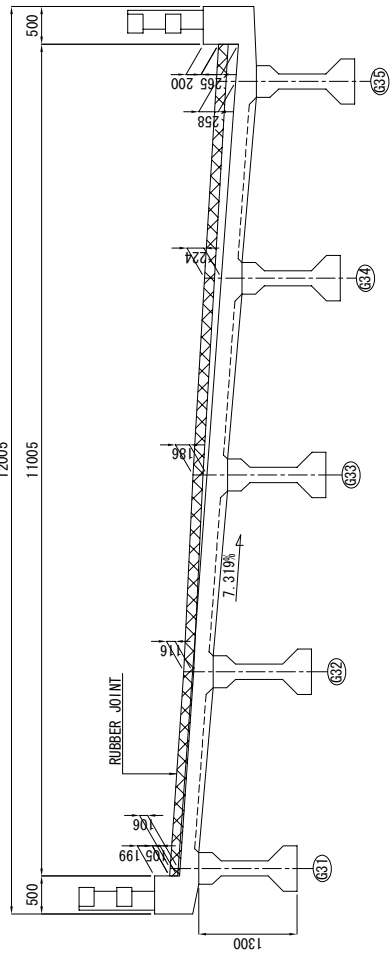
(A) SECTION SCALE 1:50



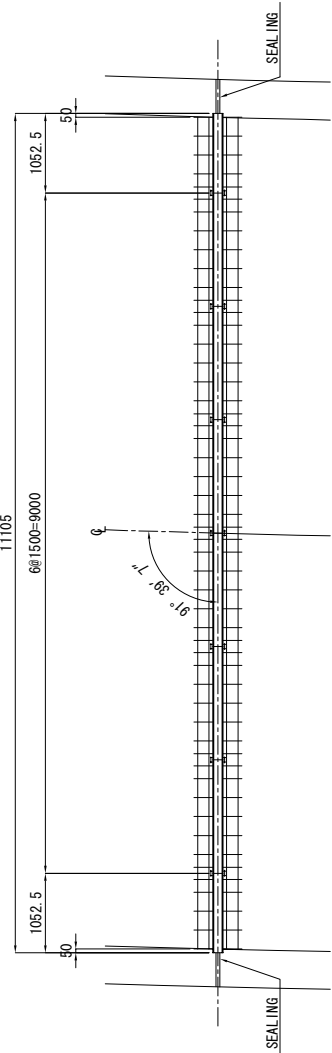
(A) PLAN SCALE 1:50



(B) SECTION SCALE 1:50

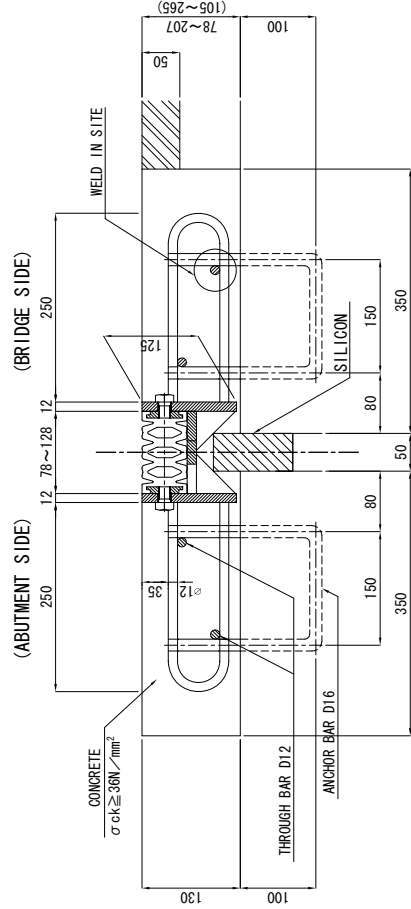


(B) PLAN SCALE 1:50

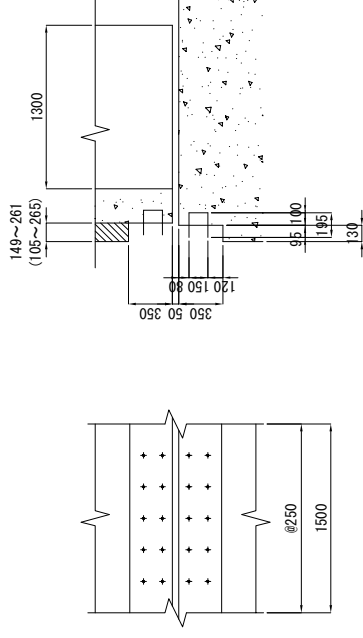


CROSS SECTION SCALE 1:5

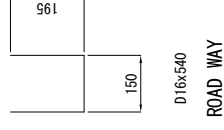
(A), (B) RUBBER JOINT FOR ROADWAY



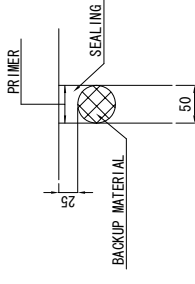
(A), (B) ANCHOR BAR UNDER CONCRETE SCALE 1:30



ANCHOR BAR SCALE 1:10



SEALING SCALE 1:5



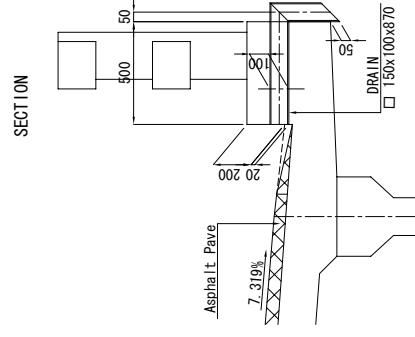
MATERIAL OF EXPANSION JOINT

MATERIAL	QUALITY	QUANTITY		REMARKS
		(A)	(B) TOTAL	
RUBBER JOINT FOR ROADWAY	SS400 COMPOSITE RUBBER SR235 SD295	12.22 m	11.11 m	23.3 m ROADWAY
SEALING	SILICON	1.9 liter	1.8 liter	3.7 liter

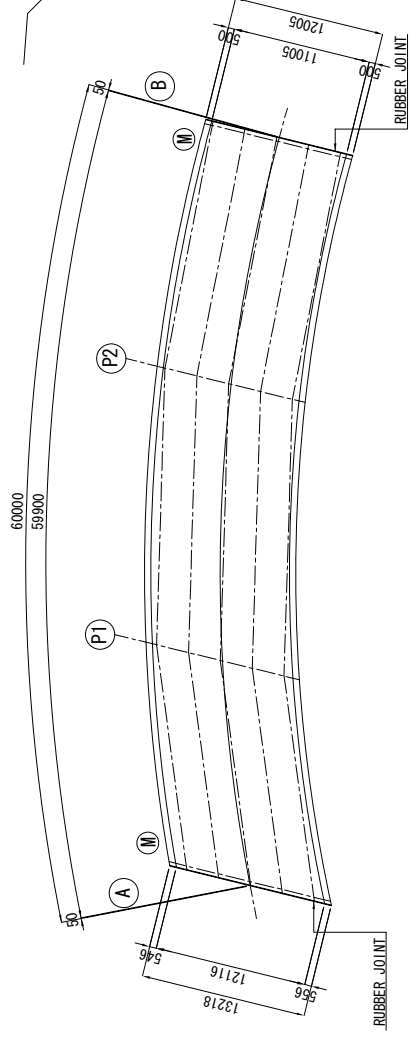
ANCHOR BAR

SIZE	QUANTITY		WEIGHT		REMARKS
	(A)	(B)	TOTAL	EACH	
D16x540	98	90	188	0.852 kg	160 kg ROADWAY

DRAINAGE SCALE 1:20



MARKING DIAGRAM SCALE 1:300



ROAD INVESTMENT DEPARTMENT
MINISTRY OF PUBLIC WORKS, URBANIZATION AND HABITAT

BASIC DESIGN ON THE PROJECT FOR
REHABILITATION OF BRIDGES ON ARTERIAL
NATIONAL ROADS IN THE REPUBLIC OF GUINEA

JAPAN INTERNATIONAL COOPERATION AGENCY
KATAHIRA & ENGINEERS INTERNATIONAL

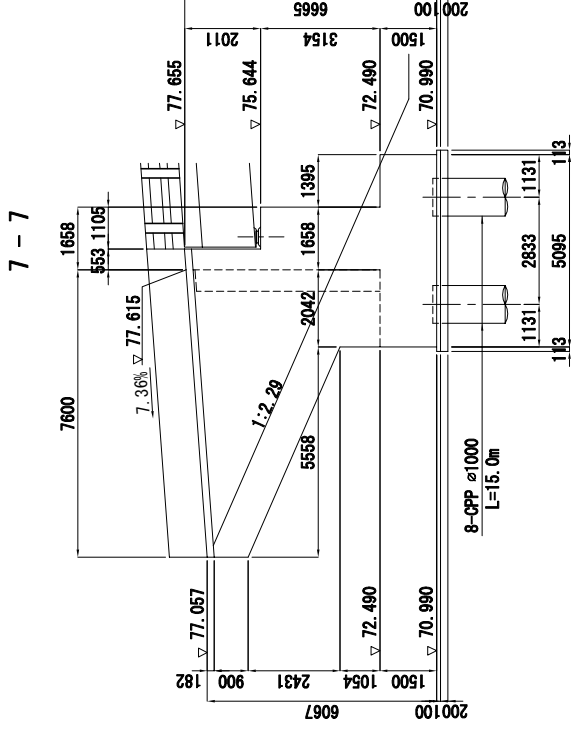
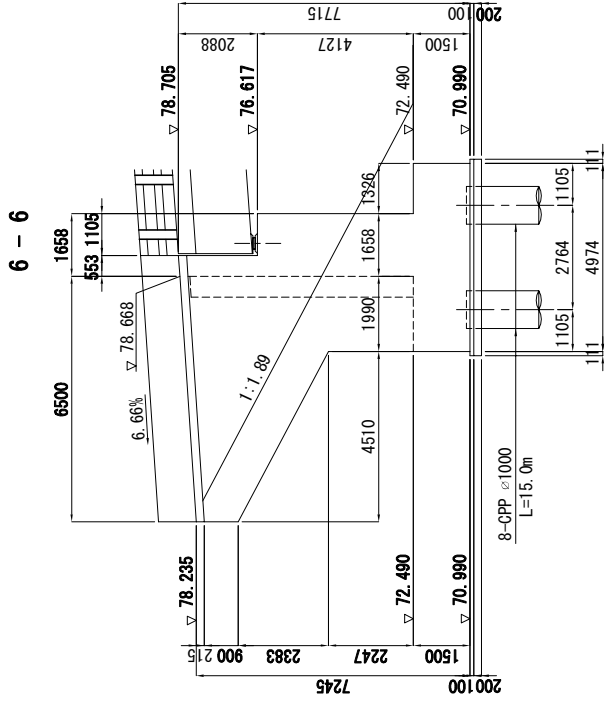
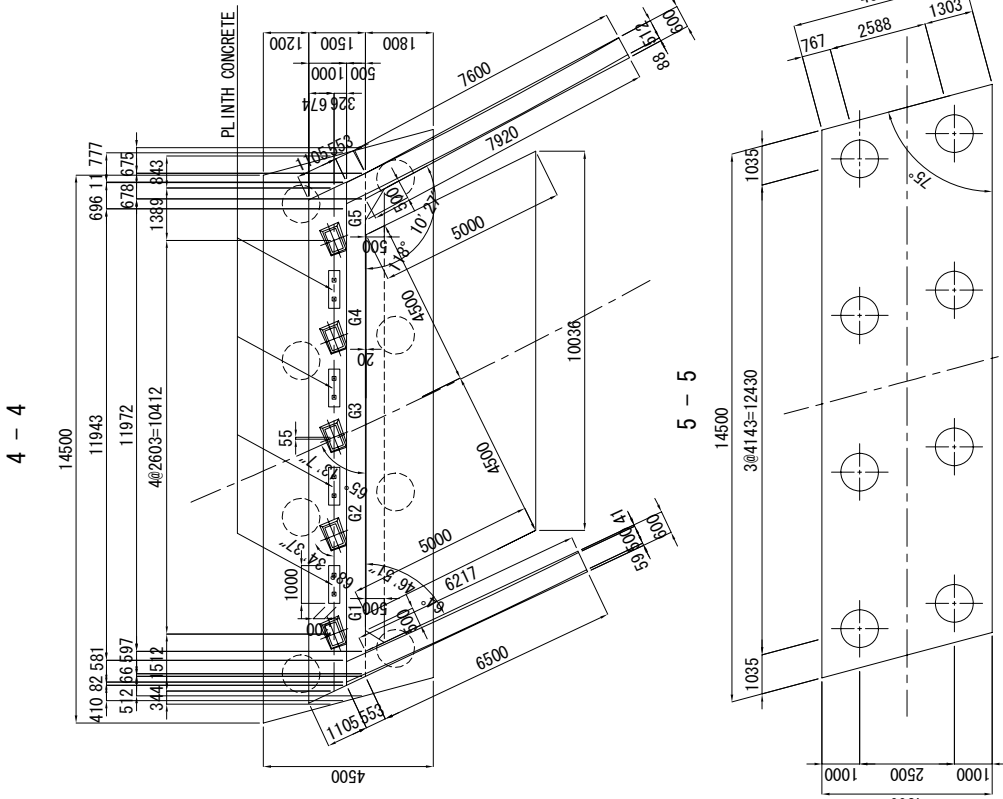
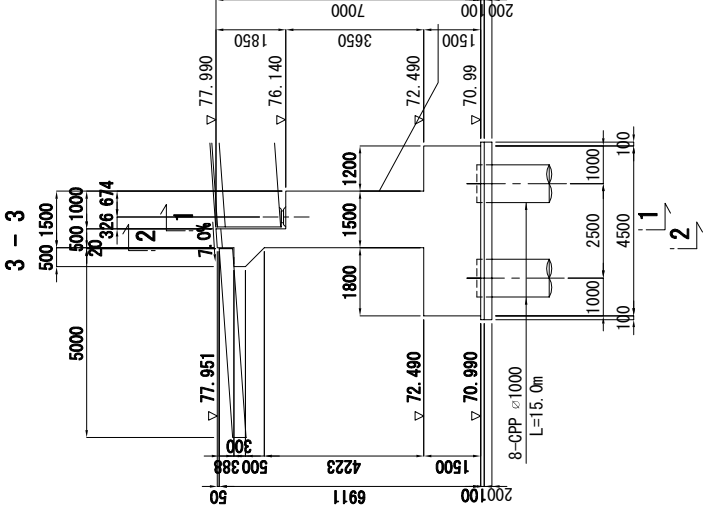
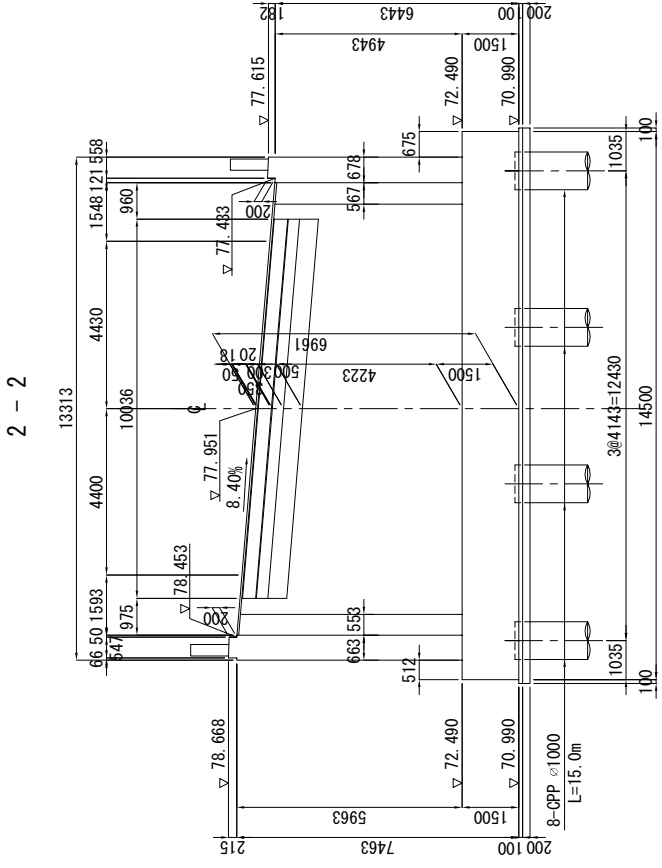
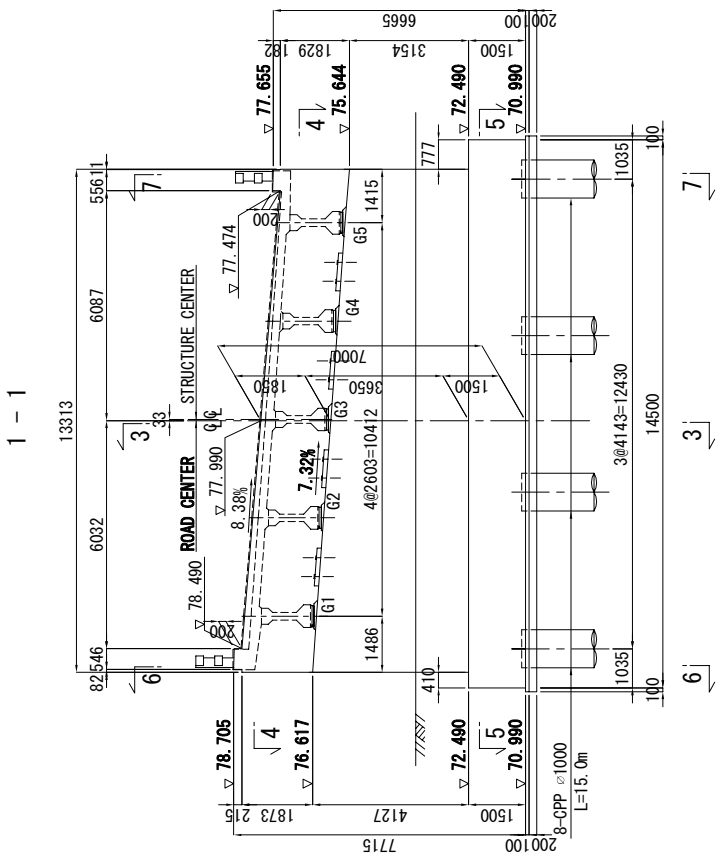
TITLE: KAAKA BRIDGE
DETAILS OF EXPANSION JOINT AND DRAINAGE

SCALE:
S=1:5

DRAWING No:
K-8

STRUCTURE DRAWING OF A ABUTMENT (1)
(KAAKA BRIDGE)

SCALE 1:100



ROAD INVESTMENT DEPARTMENT
MINISTRY OF PUBLIC WORKS, URBANIZATION AND HABITAT

BASIC DESIGN ON THE PROJECT FOR
REHABILITATION OF BRIDGES ON ARTERIAL
NATIONAL ROADS IN THE REPUBLIC OF GUINEA

JAPAN INTERNATIONAL COOPERATION AGENCY
KATAHIRA & ENGINEERS INTERNATIONAL

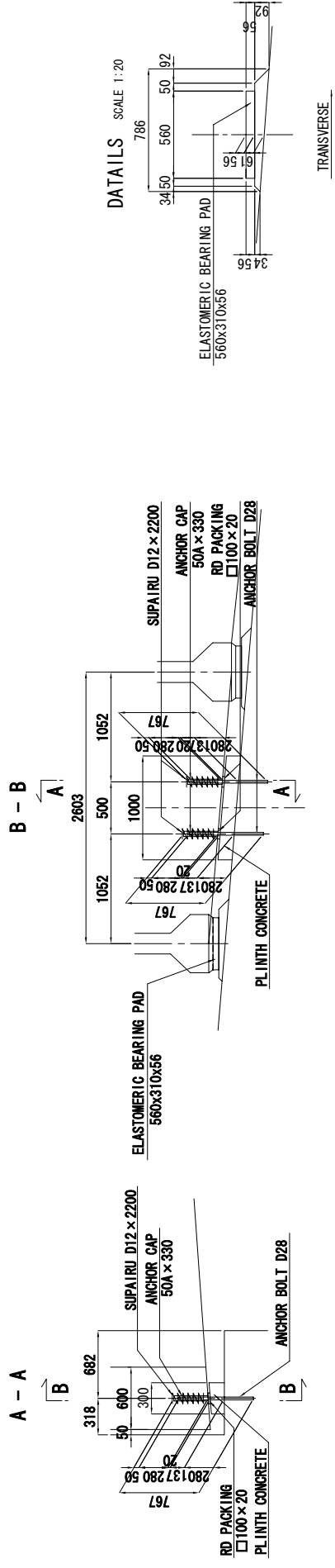
TITLE: KAAKA BRIDGE
STRUCTURE DRAWING OF A ABUTMENT (1)

SCALE:
S=1:100

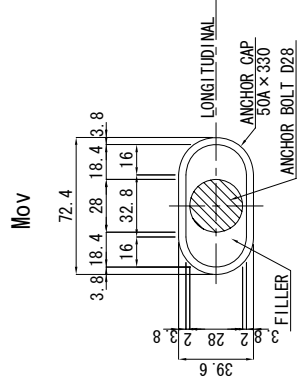
DRAWING No:
K-9

STRUCTURE DRAWING OF A ABUTMENT (2)
(KAAKA BRIDGE) SCALE 1:100

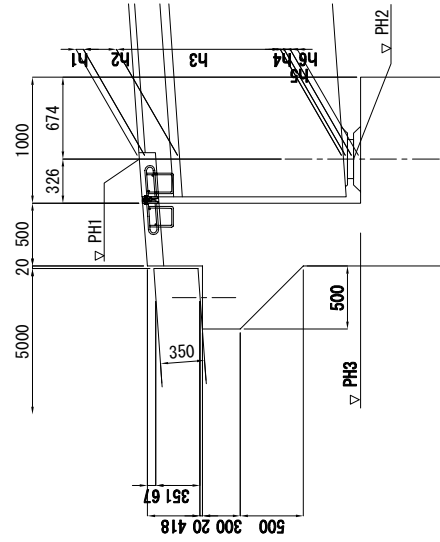
ANCHOR BOLT SCALE 1:30



ANCHOR CAP SCALE 1:2



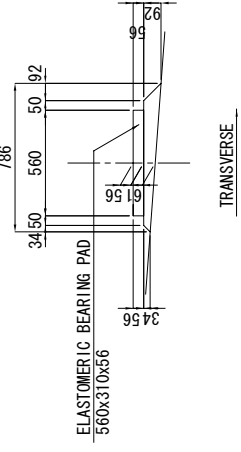
DETAILS SCALE 1:30



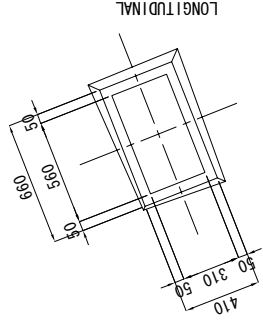
LIST OF STRUCTURE HEIGHT

	G1	G2	G3	G4	G5
PH1	78.442	78.227	78.011	77.792	77.570
h1	0.197	0.173	0.146	0.117	0.086
h2	0.270	0.270	0.270	0.270	0.270
h3	1.300	1.300	1.300	1.300	1.300
h4	0.040	0.040	0.040	0.040	0.040
h5	0.056	0.056	0.056	0.056	0.056
Σh	1.863	1.839	1.812	1.783	1.752
PH2	76.579	76.388	76.199	76.009	75.818
h6	0.061	0.061	0.061	0.061	0.061
PH3	76.518	76.327	76.138	75.948	75.757
θ	68° 34' 37"				

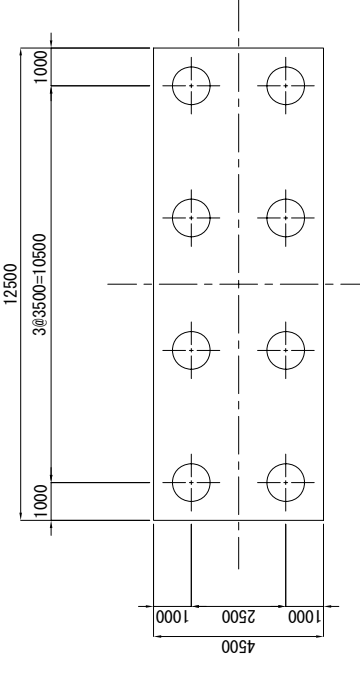
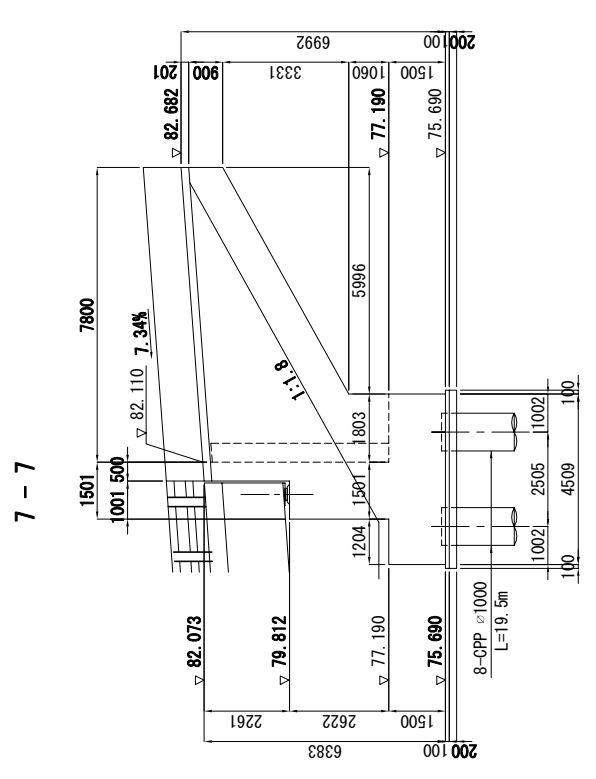
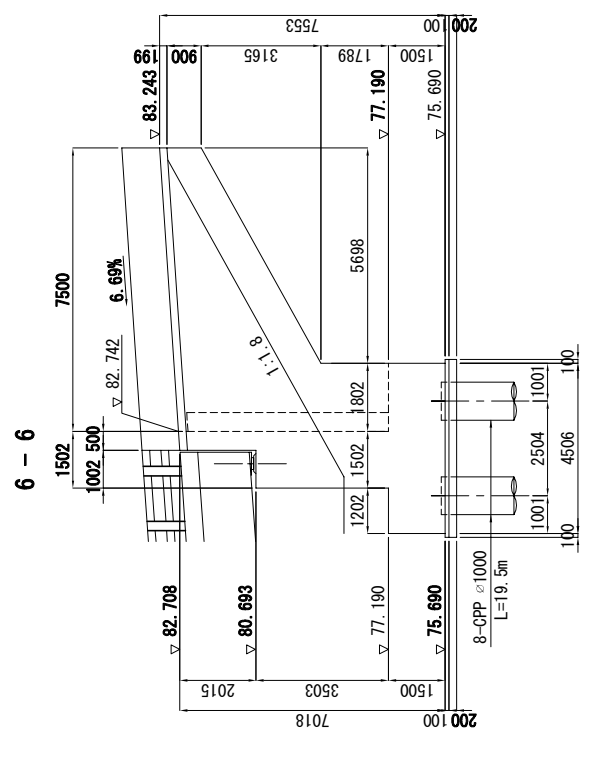
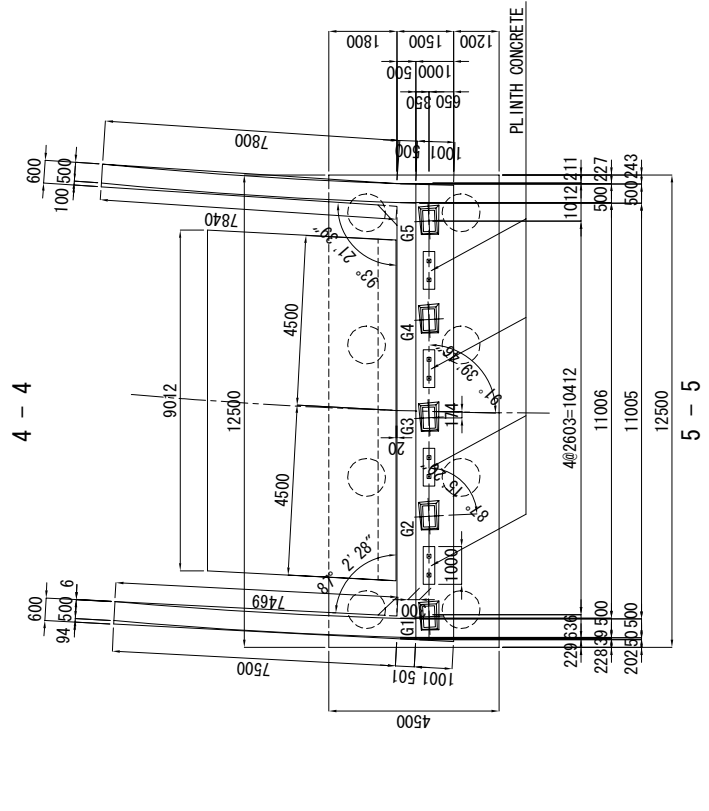
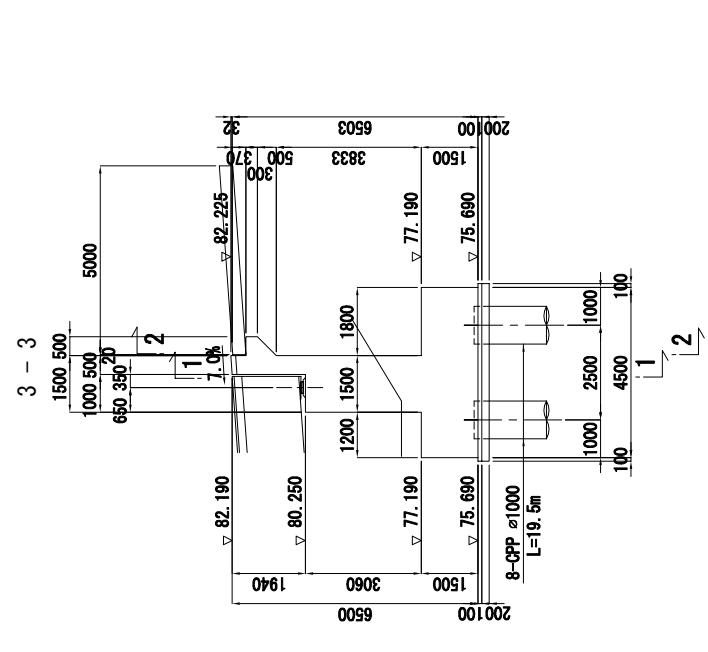
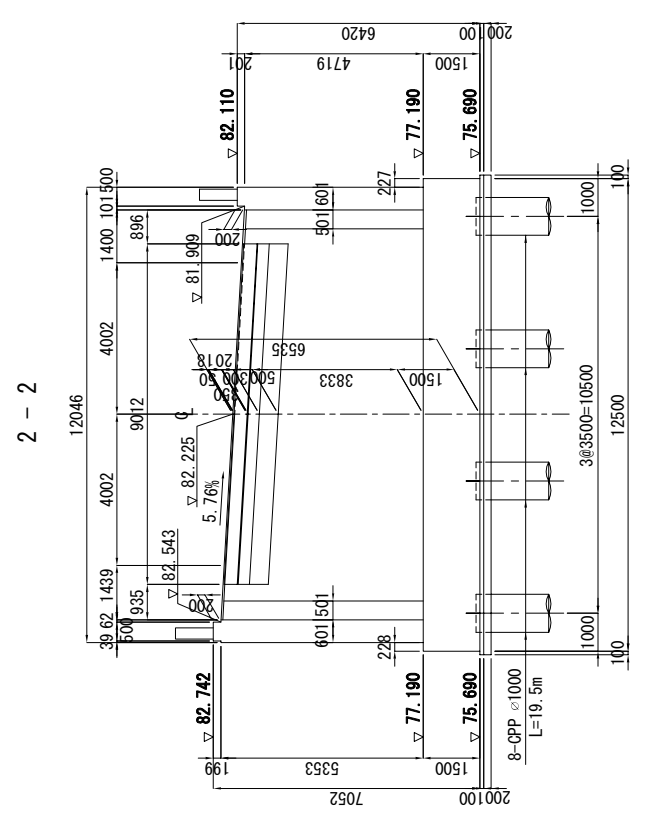
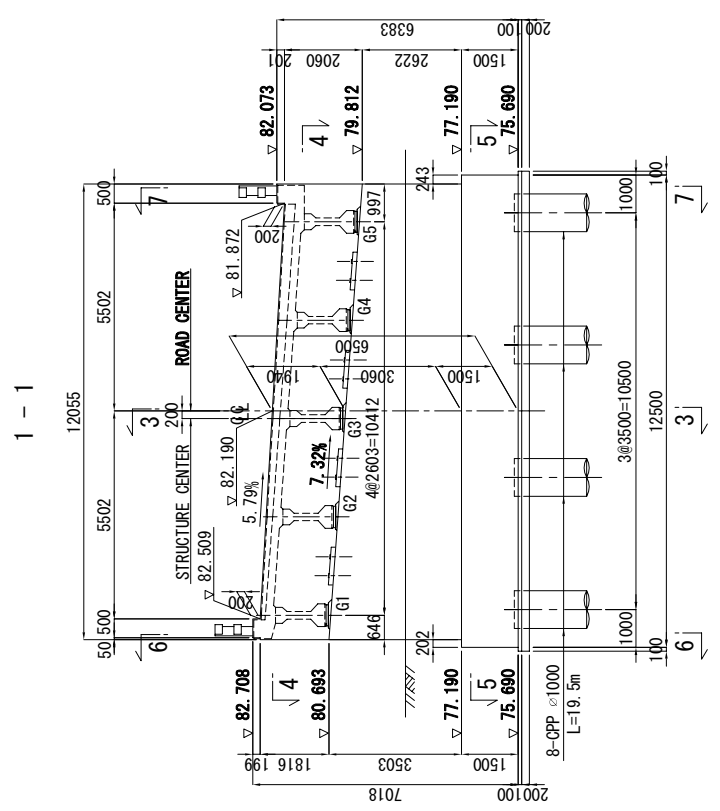
DETAILS SCALE 1:20



TRANSVERSE



STRUCTURE DRAWING OF B ABUTMENT (1)
(KAAGA BRIDGE) SCALE 1:100

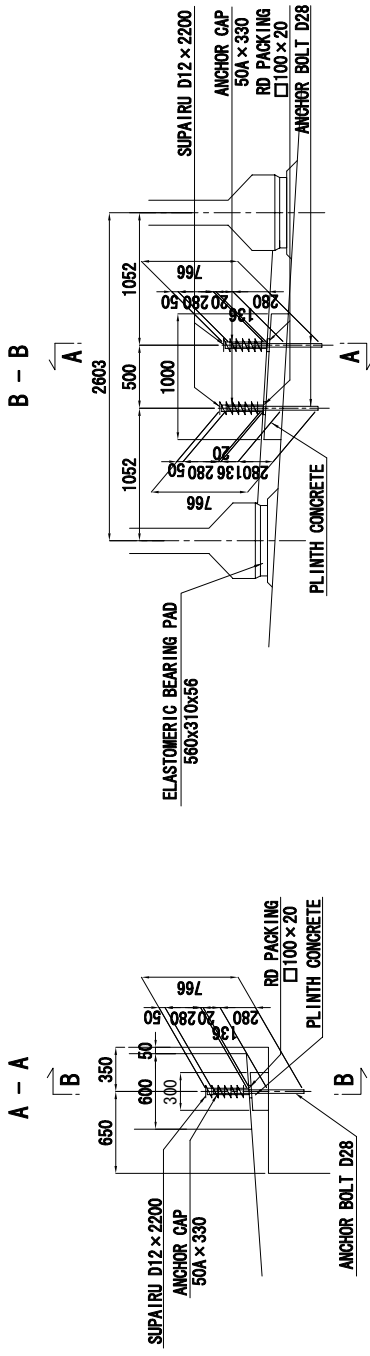


ROAD INVESTMENT DEPARTMENT MINISTRY OF PUBLIC WORKS, URBANIZATION AND HABITAT	BASIC DESIGN ON THE PROJECT FOR REHABILITATION OF BRIDGES ON ARTERIAL NATIONAL ROADS IN THE REPUBLIC OF GUINEA	JAPAN INTERNATIONAL COOPERATION AGENCY KATAHIRA & ENGINEERS INTERNATIONAL	TITLE: KAAGA BRIDGE STRUCTURE DRAWING OF B ABUTMENT (1)	SCALE: S=1:100	DRAWING No: K-11

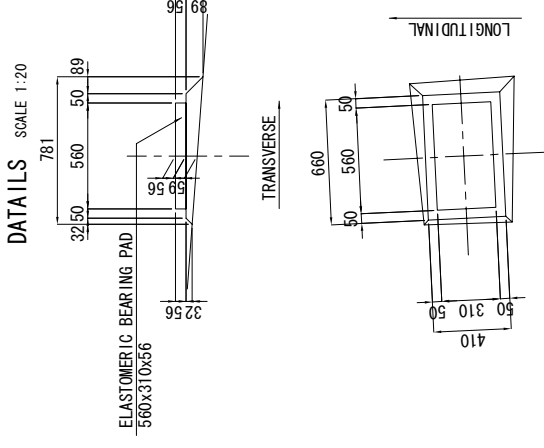
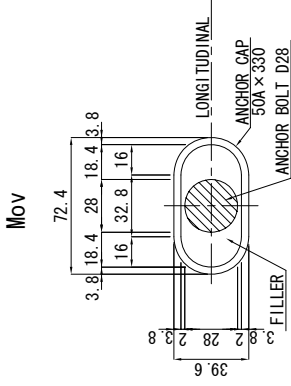
STRUCTURE DRAWING OF B ABUTMENT (2) (KAAGA BRIDGE)

SCALE 1:100

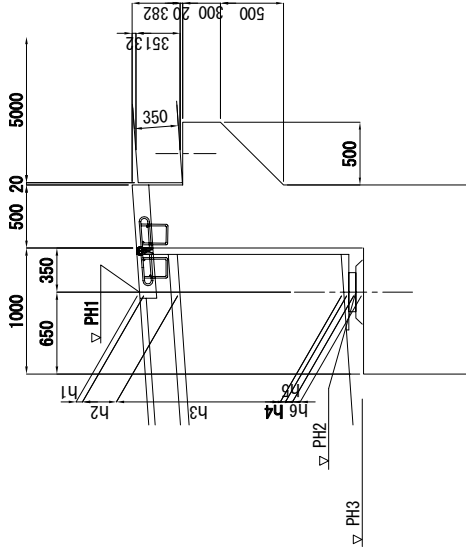
ANCHOR BOLT SCALE 1:30



ANCHOR CAP SCALE 1:2
MOV



DETAILS SCALE 1:30



LIST OF STRUCTURE HEIGHT

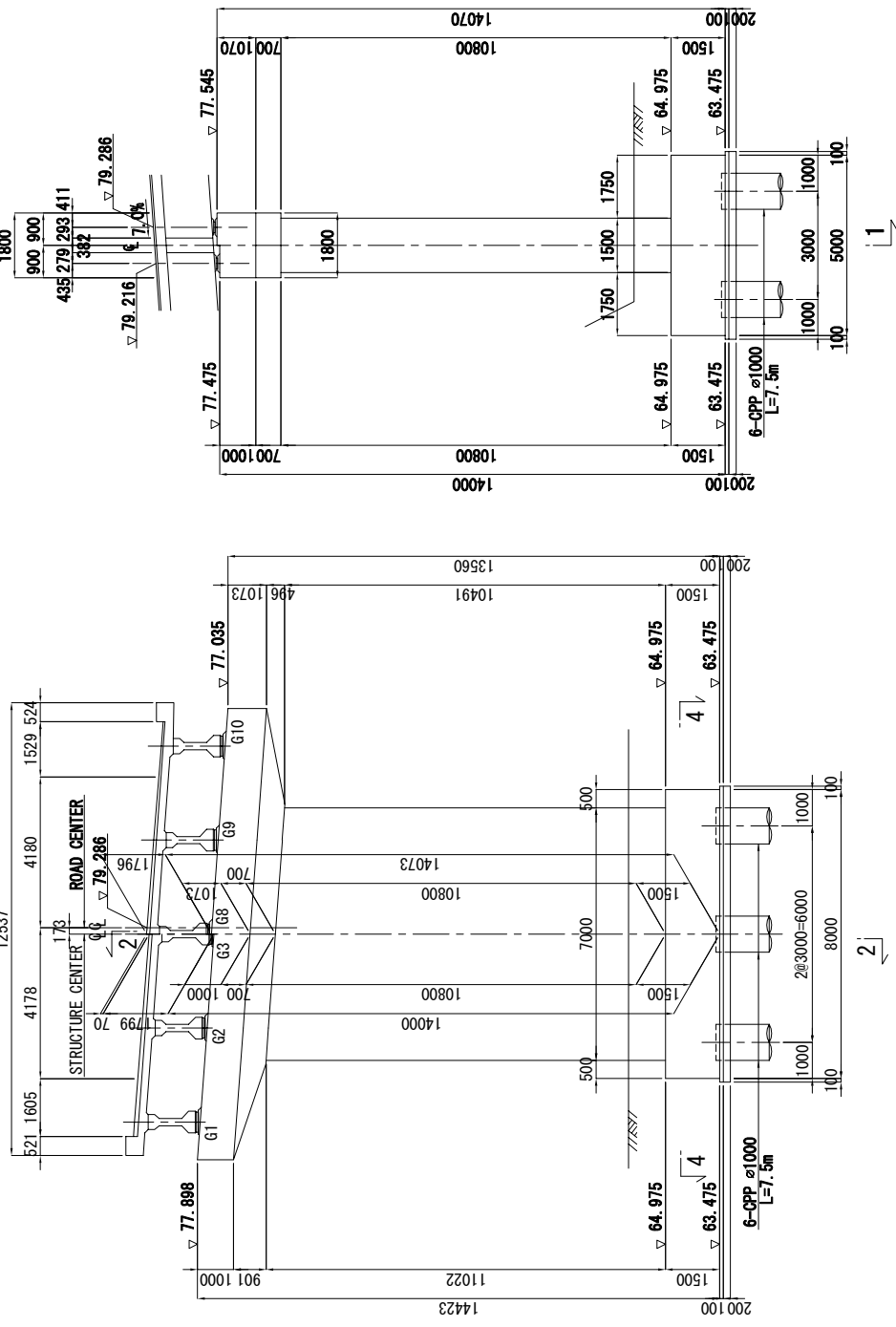
	G1	G2	G3	G4	G5
PH1	82.479	82.327	82.176	82.024	81.873
h1	0.105	0.144	0.183	0.222	0.261
h2	0.270	0.270	0.270	0.270	0.270
h3	1.300	1.300	1.300	1.300	1.300
h4	0.040	0.040	0.040	0.040	0.040
h5	0.056	0.056	0.056	0.056	0.056
Σh	1.771	1.810	1.849	1.888	1.927
PH2	80.708	80.517	80.327	80.136	79.946
h6	0.062	0.062	0.062	0.062	0.062
PH3	80.646	80.455	80.265	80.074	79.884
θ	87° 15' 20"				

STRUCTURE DRAWING OF P1 PIER (KAAKA BRIDGE)

SCALE 1:100

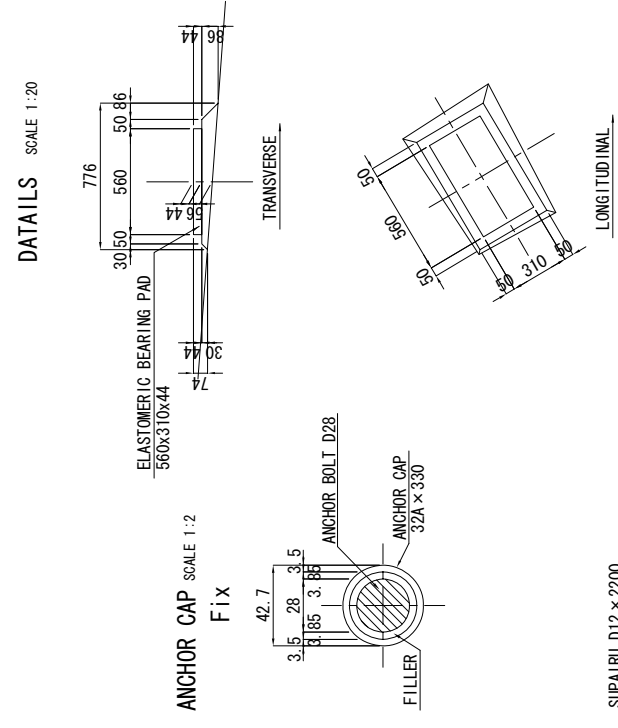
2 - 2

1 - 1



ANCHOR BOLT SCALE 1:30

A - A



DETAILS SCALE 1:20

ANCHOR CAP SCALE 1:2

Fix

ANCHOR BOLT D28

ANCHOR CAP 32A x 330

FILLER

ANCHOR BOLT D28

ANCHOR CAP 32A x 330

FILLER

ANCHOR BOLT D28

ANCHOR CAP 32A x 330

FILLER

ANCHOR BOLT D28

ANCHOR CAP 32A x 330

FILLER

ANCHOR BOLT D28

ANCHOR CAP 32A x 330

FILLER

ANCHOR BOLT D28

ANCHOR CAP 32A x 330

FILLER

ANCHOR BOLT D28

ANCHOR CAP 32A x 330

FILLER

ANCHOR BOLT D28

ANCHOR CAP 32A x 330

FILLER

ANCHOR BOLT D28

ANCHOR CAP 32A x 330

FILLER

ANCHOR BOLT D28

ANCHOR CAP 32A x 330

FILLER

ANCHOR BOLT D28

ANCHOR CAP 32A x 330

FILLER

ANCHOR BOLT D28

ANCHOR CAP 32A x 330

FILLER

ANCHOR BOLT D28

ANCHOR CAP 32A x 330

FILLER

ANCHOR BOLT D28

ANCHOR CAP 32A x 330

FILLER

ANCHOR BOLT D28

ANCHOR CAP 32A x 330

FILLER

ANCHOR BOLT D28

ANCHOR CAP 32A x 330

FILLER

ANCHOR BOLT D28

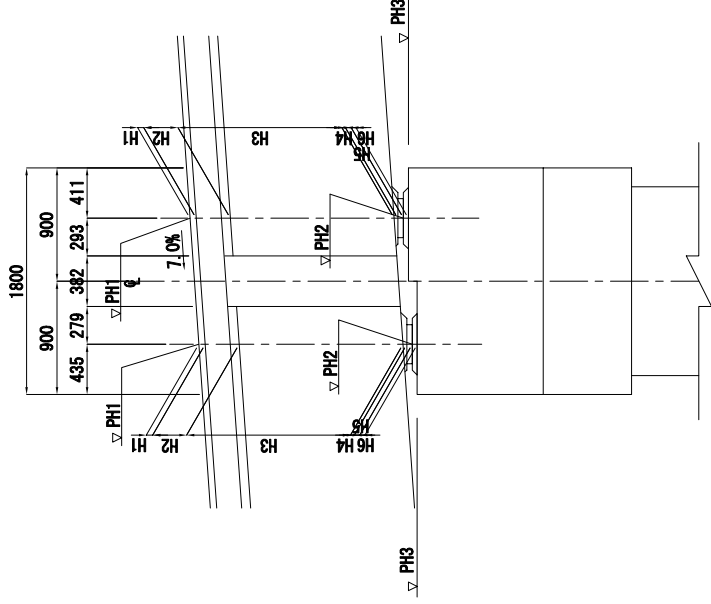
ANCHOR CAP 32A x 330

FILLER

ANCHOR BOLT D28

ANCHOR CAP 32A x 330

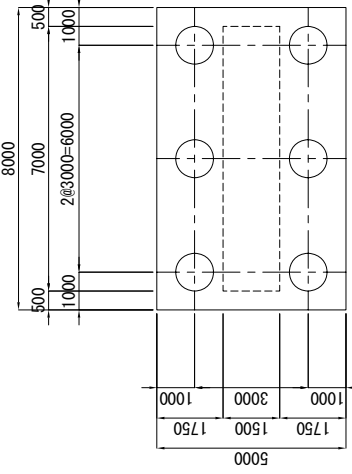
DETAILS SCALE 1:30



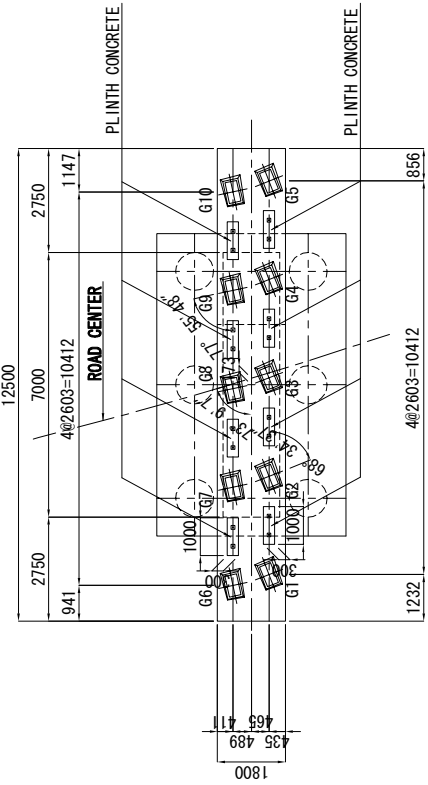
LIST OF STRUCTURE HEIGHT

	G1	G2	G3	G4	G5
PH1	79.628	79.428	79.226	79.023	78.817
h1	0.110	0.100	0.089	0.076	0.061
h2	0.270	0.270	0.270	0.270	0.270
h3	1.300	1.300	1.300	1.300	1.300
h4	0.040	0.040	0.040	0.040	0.040
h5	0.044	0.044	0.044	0.044	0.044
Σ h	1.764	1.754	1.743	1.730	1.715
PH2	77.864	77.674	77.483	77.293	77.102
h6	0.056	0.056	0.056	0.056	0.056
PH3	77.808	77.618	77.427	77.237	77.046
θ	68° 34' 37"				
	G6	G7	G8	G9	G10
PH1	79.696	79.497	79.296	79.093	78.889
h1	0.105	0.097	0.086	0.074	0.060
h2	0.270	0.270	0.270	0.270	0.270
h3	1.300	1.300	1.300	1.300	1.300
h4	0.040	0.040	0.040	0.040	0.040
h5	0.044	0.044	0.044	0.044	0.044
Σ h	1.751	1.751	1.740	1.728	1.714
PH2	77.937	77.746	77.556	77.365	77.175
h6	0.056	0.056	0.056	0.056	0.056
PH3	77.881	77.690	77.500	77.309	77.119
θ	77° 55' 48"				

4 - 4



3 - 3



BASIC DESIGN ON THE PROJECT FOR
REHABILITATION OF BRIDGES ON ARTERIAL
NATIONAL ROADS IN THE REPUBLIC OF GUINEA

ROAD INVESTMENT DEPARTMENT
MINISTRY OF PUBLIC WORKS, URBANIZATION AND HABITAT

JAPAN INTERNATIONAL COOPERATION AGENCY
KATAHIRA & ENGINEERS INTERNATIONAL

TITLE: KAAKA BRIDGE
STRUCTURE DRAWING OF P1 PIER

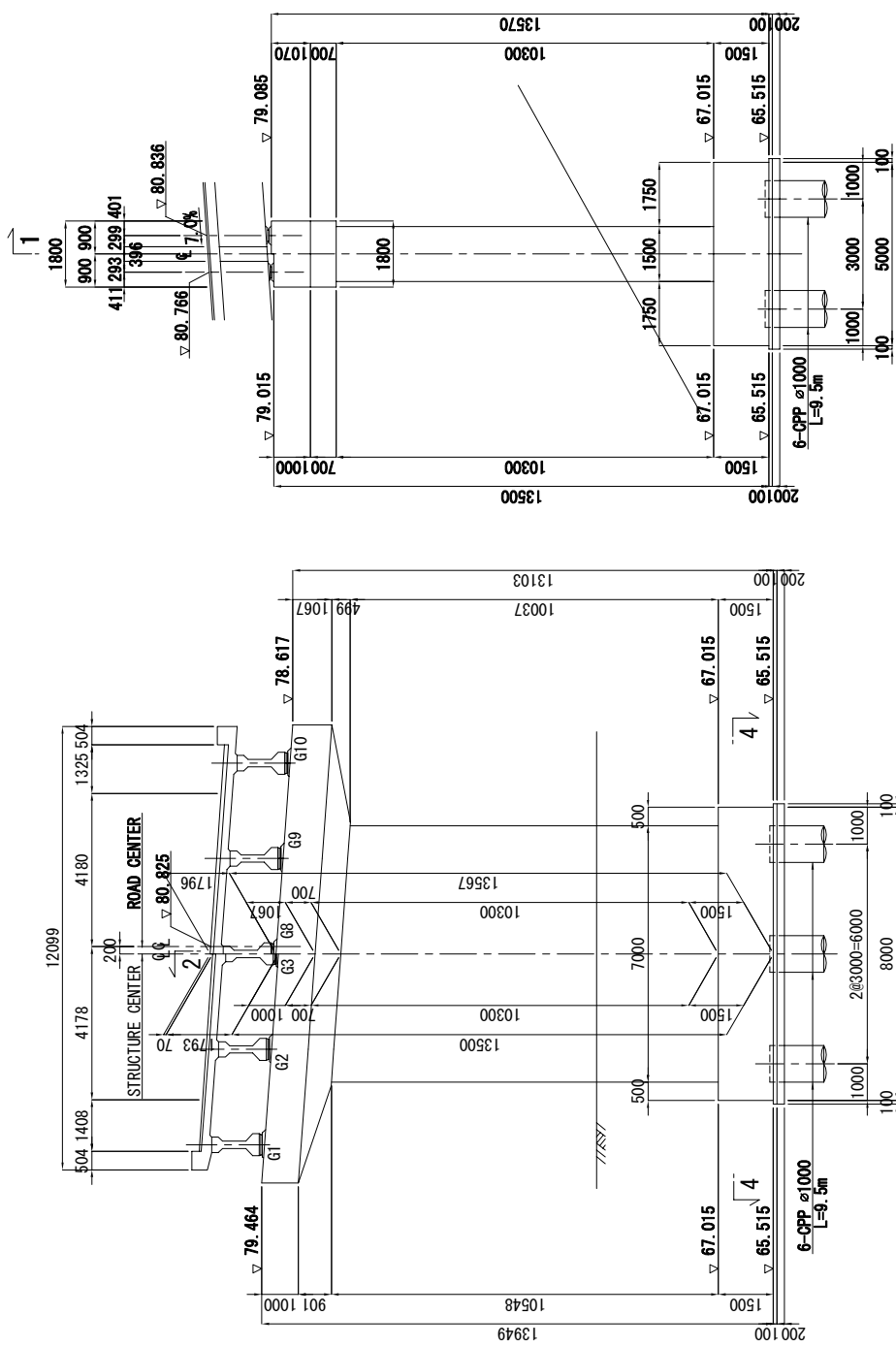
SCALE: S=1:100
DRAWING No: K-13

STRUCTURE DRAWING OF P2 PIER (KAAKA BRIDGE)

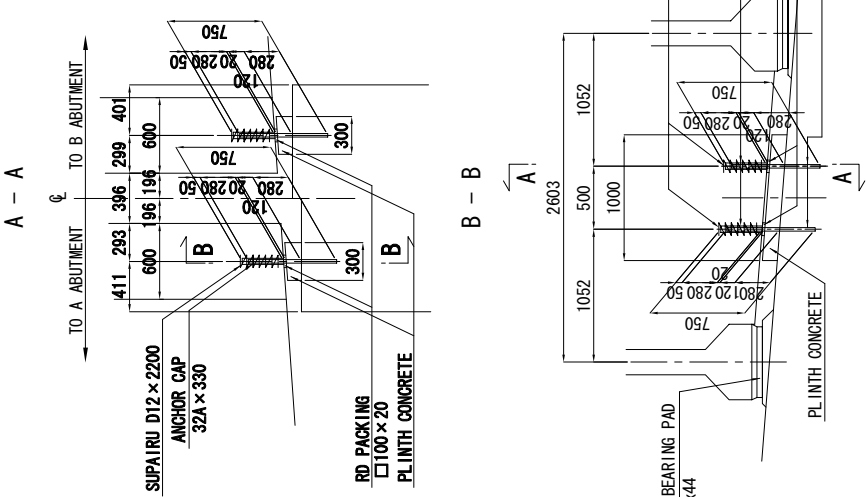
SCALE 1:100

2 - 2

1 - 1



ANCHOR BOLT SCALE 1:30



DETAILS SCALE 1:20

ANCHOR CAP SCALE 1:2

TRANSVERSE

LONGITUDINAL

2

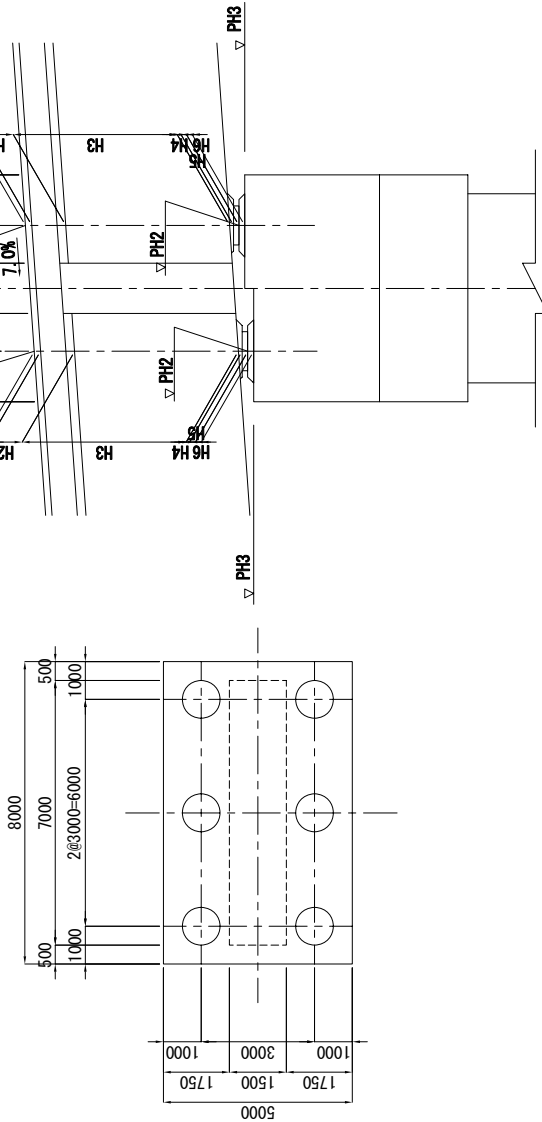
2

DETAILS SCALE 1:30

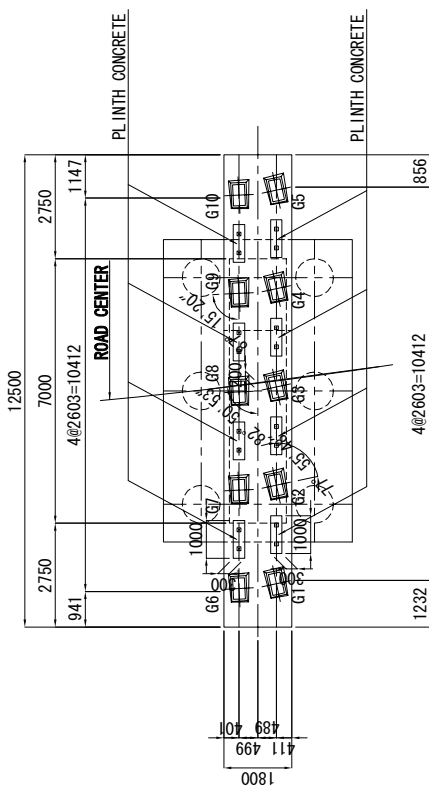
LIST OF STRUCTURE HEIGHT

	G1	G2	G3	G4	G5
PH1	81.121	80.944	80.766	80.588	80.408
h1	0.057	0.071	0.083	0.095	0.106
h2	0.270	0.270	0.270	0.270	0.270
h3	1.300	1.300	1.300	1.300	1.300
h4	0.040	0.040	0.040	0.040	0.040
h5	0.044	0.044	0.044	0.044	0.044
Σh	1.711	1.725	1.737	1.749	1.760
PH2	79.410	79.219	79.029	78.839	78.648
h6	0.056	0.056	0.056	0.056	0.056
PH3	79.354	79.163	78.973	78.783	78.592
θ					
					77° 55' 48"
					87° 15' 20"

4 - 4

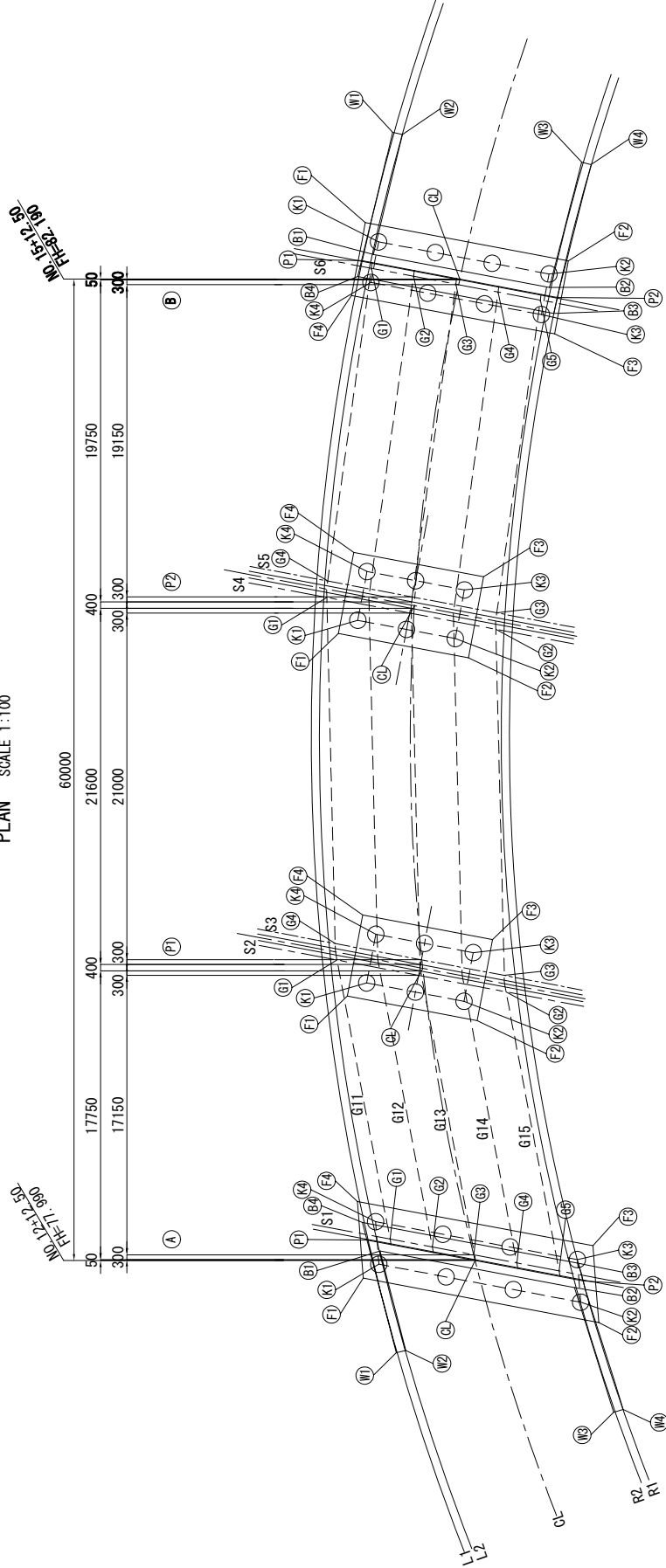


3 - 3

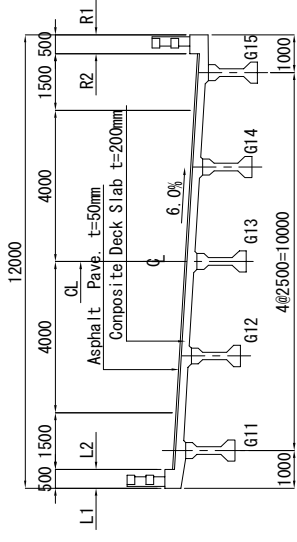


COORDINATES OF SUBSTRUCTURE (KAAKA BRIDGE)

PLAN SCALE 1:100



BRIDGE CROSS SECTION SCALE 1:100



COORDINATES OF SUBSTRUCTURE

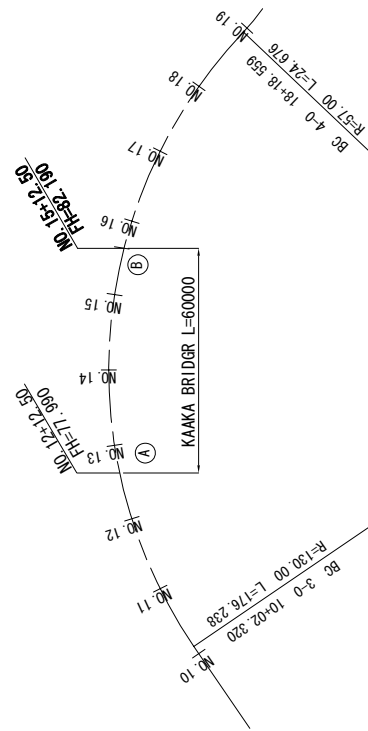
ITEM	MARK		A		P1		P2		B		
	X	Y	X	Y	X	Y	X	Y	X	Y	
CENTER LINE	QL	184.3137	573.4003	178.1820	556.1921	173.9447	534.9308	173.2952	514.9611		
BUILDING FRAME	B1	178.5456	573.8116					167.8777	514.3776		
	B2	190.5136	573.9957					178.7198	514.5445		
	B3	190.4553	572.4947					179.1990	516.0520		
	B4	178.0273	572.3034					167.1764	515.8670		
PARAPET	P1	177.6547	573.2978					167.2434	514.8679		
	P2	190.9341	573.5022					179.2803	515.0532		
FOOTING	F1	177.8255	575.6007	173.9715	558.9276	169.7067	537.3659	167.0772	512.5651		
	F2	192.3238	575.8238	181.9706	559.0507	171.7058	537.4890	179.5157	512.7575		
	F3	191.1874	571.3058	182.0475	554.0513	177.7827	532.4896	179.5064	517.2569		
	F4	176.8891	571.0827	174.0484	553.9282	169.7837	532.3665	167.0079	517.0646		
WING	W1	180.5612	579.7237					167.7793	506.8852		
	W2	181.1079	579.4765					168.3780	506.9254		
	W3	194.1458	581.0353					179.3565	506.7308		
	W4	194.6790	580.7602					179.9545	506.7795		
SHOE	G1	179.0181	572.9929	172.9796	556.8776	168.6364	535.3381	167.9013	515.2277		
	G2	181.6208	573.0330	183.3903	557.0378	179.0471	535.4983	170.5039	515.2678		
	G3	184.2235	573.0730	183.1178	556.0791	178.9338	534.5081	173.1066	515.3078		
	G4	186.8262	573.1131	172.7071	555.9189	168.5231	534.3479	175.7093	515.3479		
PILES	G5	189.4288	573.1531					178.3120	515.3879		
	K1	178.6081	574.6126	174.9868	557.9431	170.7220	536.3814	168.0616	513.5804		
	K2	191.5586	574.8119	180.9861	558.0355	176.7213	536.4737	178.5604	513.7419		
	K3	190.4048	572.2939	181.0322	555.0358	176.7674	533.4741	178.5219	516.2417		
	K4	177.9768	572.1026	175.0329	554.9435	170.7682	533.3817	168.0232	516.0801		

COORDINATES AND ELEVATION OF BENCH MARKS

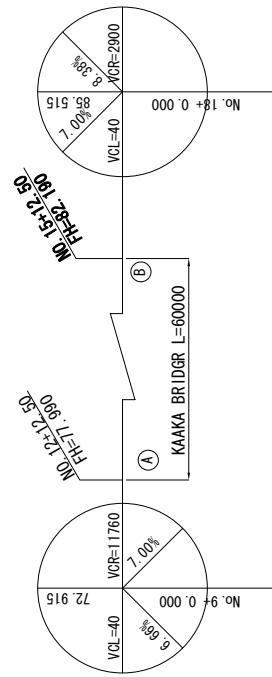
SYMBOL	X-COORDINATE (m)	Y-COORDINATE (m)
BC 3-0	212.887	614.272
BC 4-0	192.513	452.500

L LINEAR CONSTITUENT

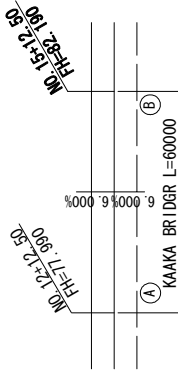
PLAN LINEAR CONSTITUENT



VERTICAL CONSTITUENT



CROSS SLOPE



ROAD INVESTMENT DEPARTMENT
MINISTRY OF PUBLIC WORKS, URBANIZATION AND HABITAT

BASIC DESIGN ON THE PROJECT FOR
REHABILITATION OF BRIDGES ON ARTERIAL
NATIONAL ROADS IN THE REPUBLIC OF GUINEA

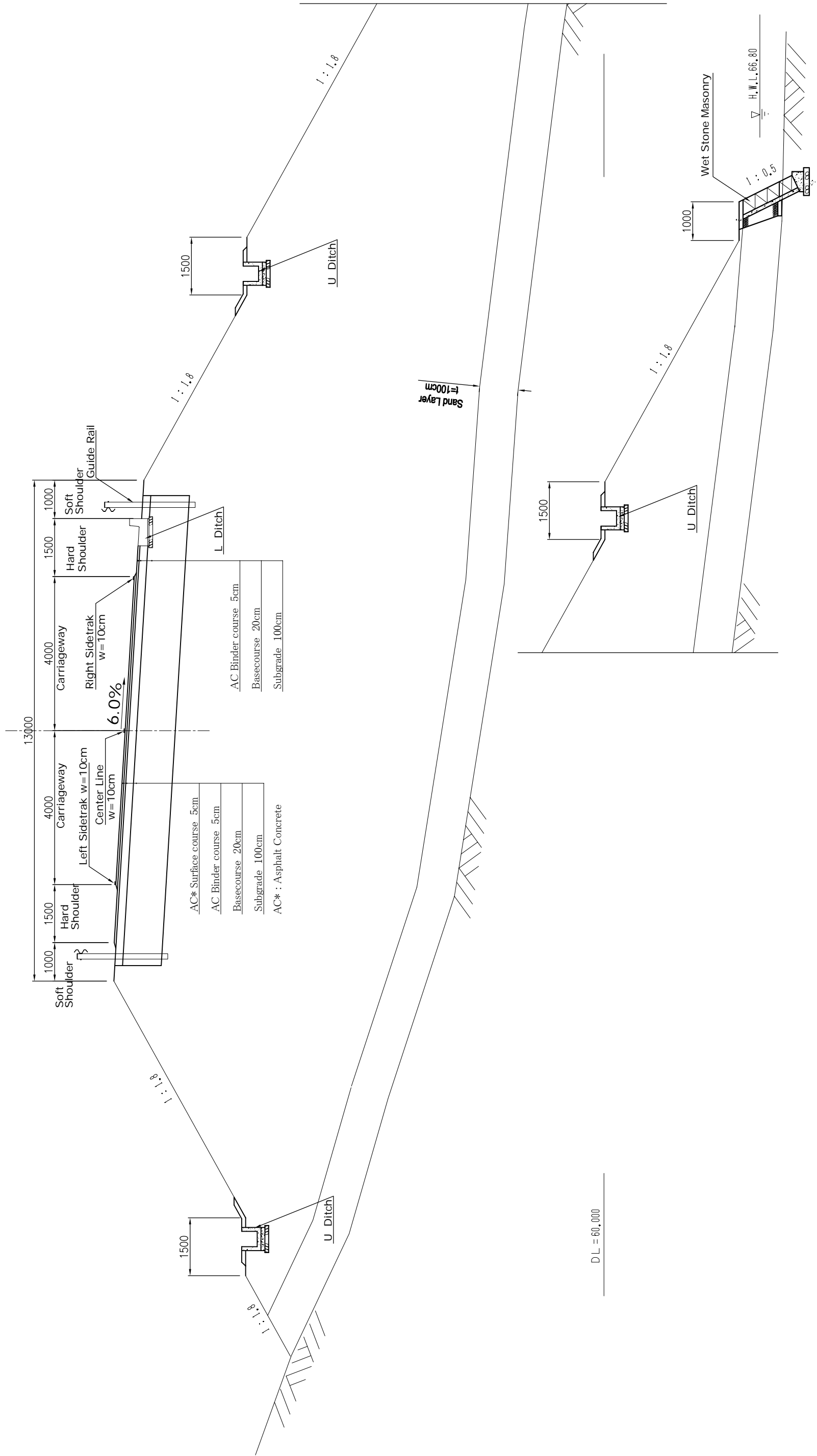
JAPAN INTERNATIONAL COOPERATION AGENCY
KATAHIRA & ENGINEERS INTERNATIONAL

TITLE: KAKA BRIDGE
COORDINATES OF SUBSTRUCTURE

SCALE: S=1:100
DRAWING No: K-15

TYPICAL CROSS SECTION OF ROAD
(KAAKA BRIDGE)

☐



ROAD INVESTMENT DEPARTMENT
MINISTRY OF PUBLIC WORKS, URBANIZATION AND HABITAT

BASIC DESIGN ON THE PROJECT FOR
REHABILITATION OF BRIDGES ON ARTERIAL
NATIONAL ROADS IN THE REPUBLIC OF GUINEA

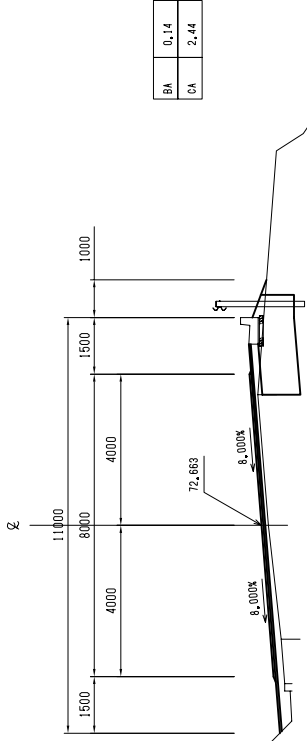
JAPAN INTERNATIONAL COOPERATION AGENCY
KATAHIRA & ENGINEERS INTERNATIONAL

TITLE: KAAKA BRIDGE
TYPICAL CROSS SECTION OF ROAD

SCALE: S=1:50
DRAWING No: K-16

CROSS SECTIONS OF ROAD (1) (KAAKA BRIDGE)

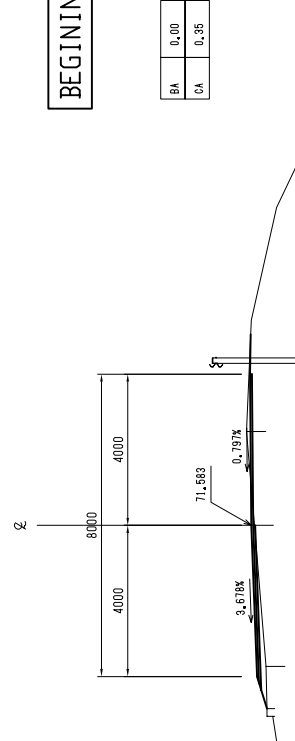
EC 2-0(N0.8+16.057)
FH=72.663
BH=72.48



DL=65.00

BEGINNING POINT OF PROJECT

NO.8+00.000
FH=71.583
BH=71.50



DL=65.00

ROAD INVESTMENT DEPARTMENT
MINISTRY OF PUBLIC WORKS, URBANIZATION AND HABITAT

BASIC DESIGN ON THE PROJECT FOR
REHABILITATION OF BRIDGES ON ARTERIAL
NATIONAL ROADS IN THE REPUBLIC OF GUINEA

JAPAN INTERNATIONAL COOPERATION AGENCY
KATAHIRA & ENGINEERS INTERNATIONAL

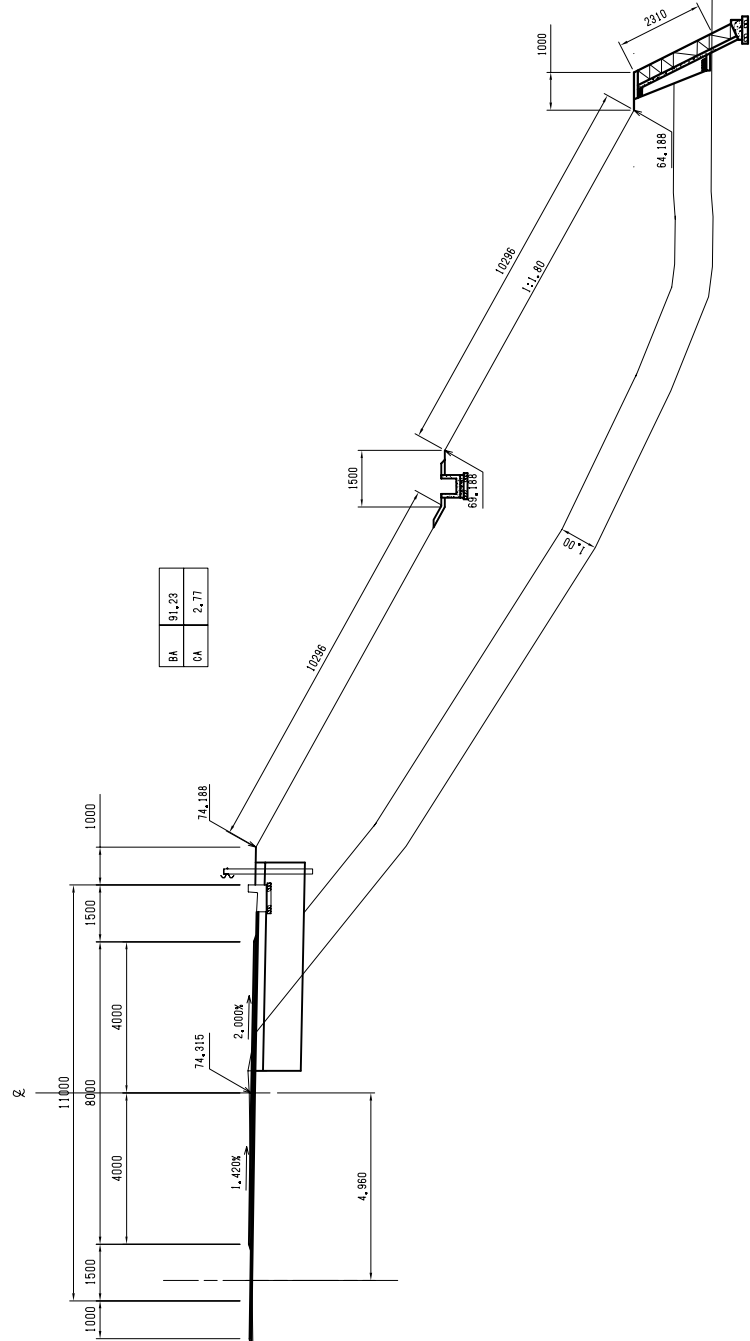
TITLE: KAAKA BRIDGE
CROSS SECTIONS OF ROAD (1)
(NO. 8+0.00 - NO. 8+16.075)

SCALE:
S=1:100

DRAWING No:
K-17

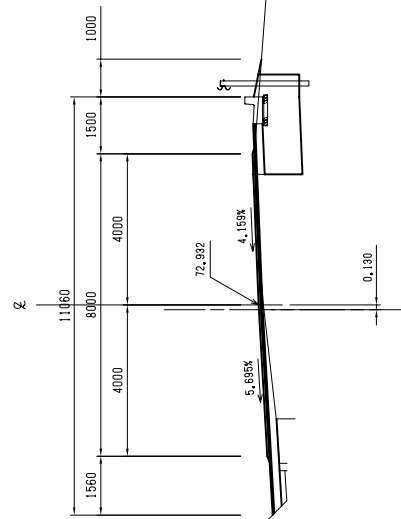
CROSS SECTIONS OF ROAD (2) (KAAKA BRIDGE)

NO. 10+00.000
FH=74.315
GH=74.317



DL=65.00

NO. 9+00.000
FH=72.822
GH=72.817



DL=65.00

ROAD INVESTMENT DEPARTMENT
MINISTRY OF PUBLIC WORKS, URBANIZATION AND HABITAT

BASIC DESIGN ON THE PROJECT FOR
REHABILITATION OF BRIDGES ON ARTERIAL
NATIONAL ROADS IN THE REPUBLIC OF GUINEA

JAPAN INTERNATIONAL COOPERATION AGENCY
KATAHIRA & ENGINEERS INTERNATIONAL

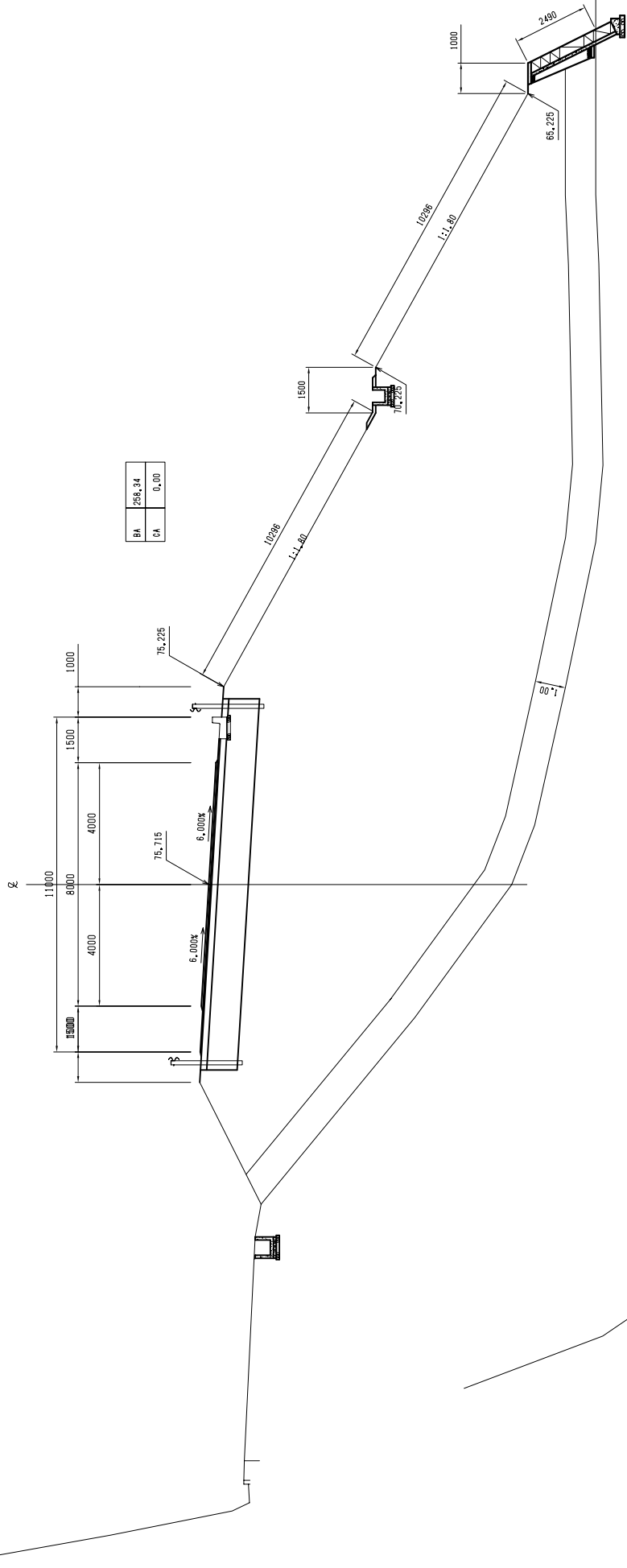
TITLE: KAAKA BRIDGE
CROSS SECTIONS OF ROAD (2)
(NO. 9+0.00 - NO. 10+0.00)

SCALE:
S=1:100

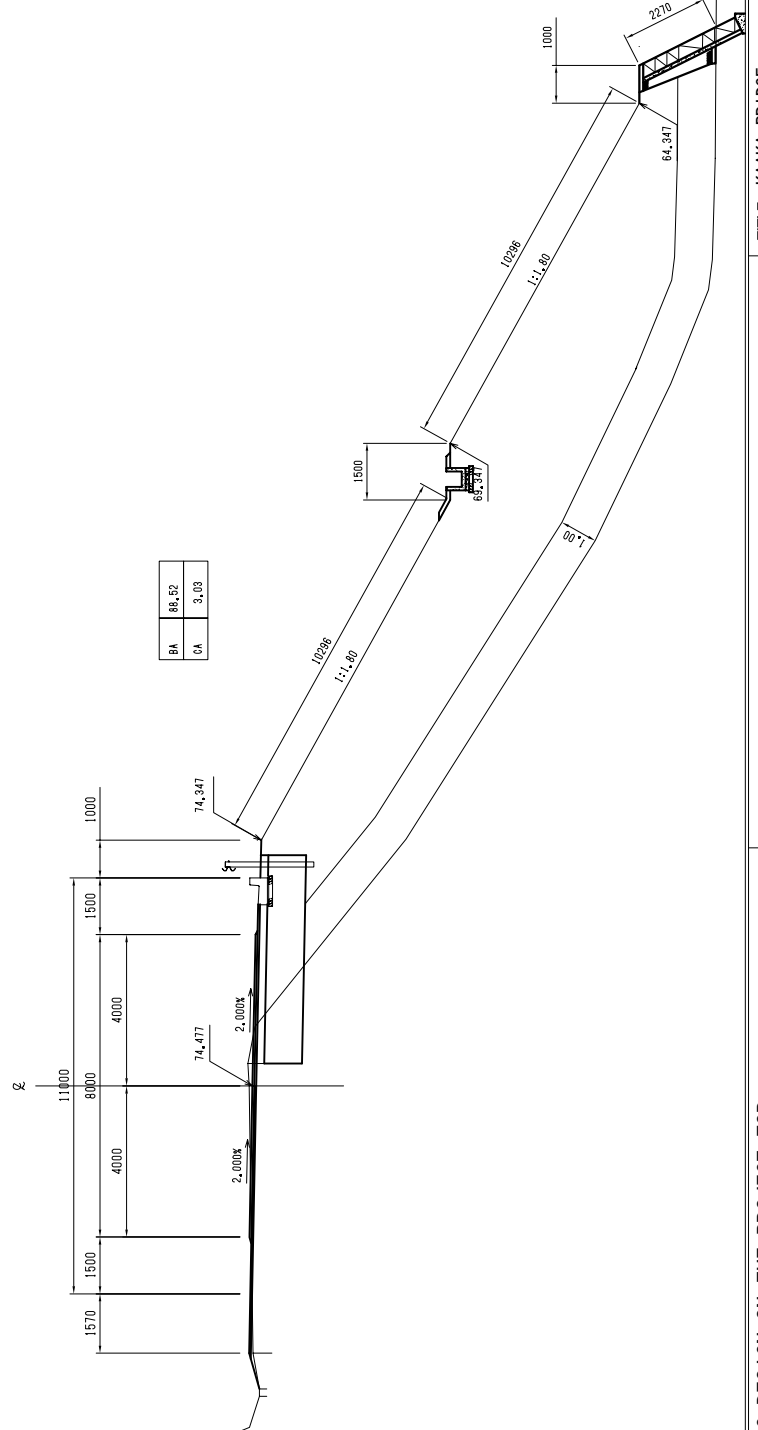
DRAWING No:
K-18

CROSS SECTIONS OF ROAD (3) (KAAKA BRIDGE)

NO. 11+00.000
FH=75.715
GH=65.76



BC 3-0(NO.10+02.320)
FH=74.477
GH=74.57



ROAD INVESTMENT DEPARTMENT
MINISTRY OF PUBLIC WORKS, URBANIZATION AND HABITAT

BASIC DESIGN ON THE PROJECT FOR
REHABILITATION OF BRIDGES ON ARTERIAL
NATIONAL ROADS IN THE REPUBLIC OF GUINEA

JAPAN INTERNATIONAL COOPERATION AGENCY
KATAHIRA & ENGINEERS INTERNATIONAL

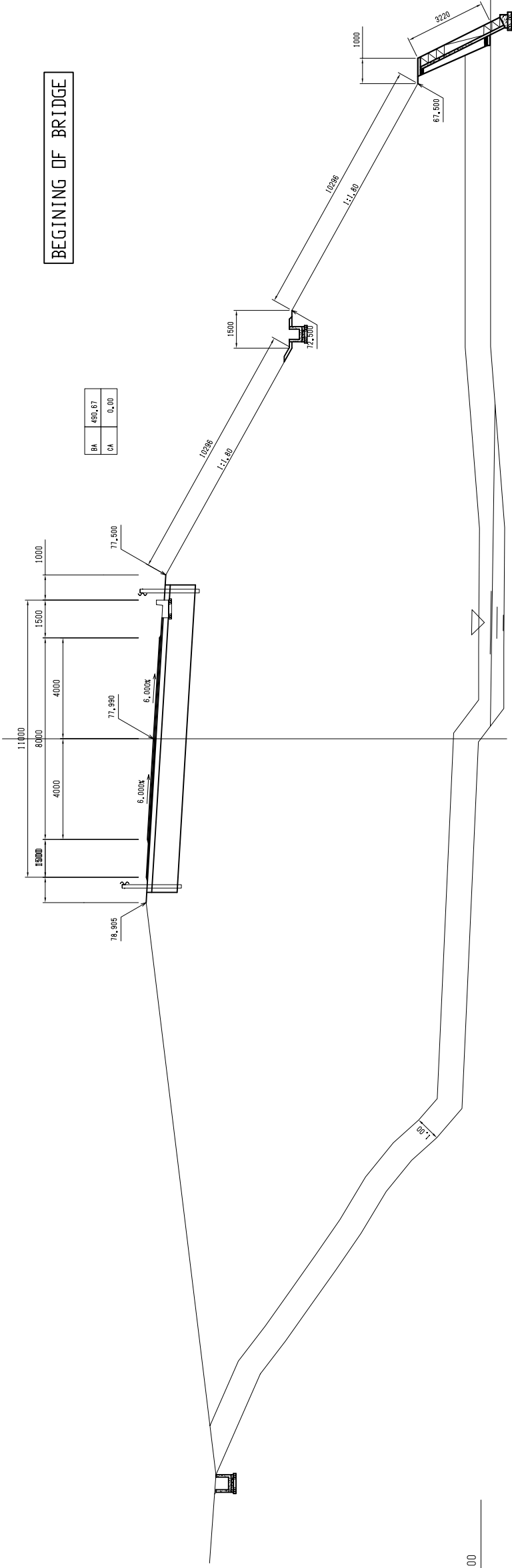
TITLE: KAAKA BRIDGE
CROSS SECTIONS OF ROAD (3)
(NO. 10+2.32 - NO. 11+0.00)

SCALE:
S=1:100

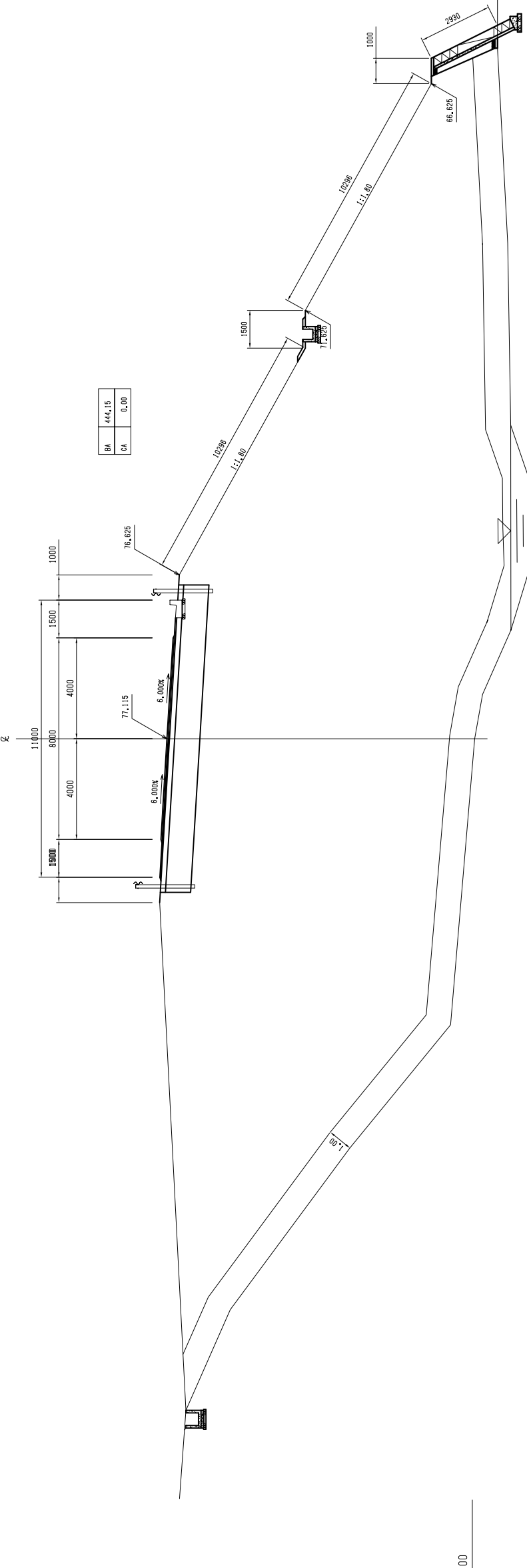
DRAWING No:
K-19

CROSS SECTIONS OF ROAD (4) (KAAKA BRIDGE)

NO. 12+12.000
FH=77.990
GH=66.000
±



NO. 12+00.000
FH=77.115
GH=64.900
±



ROAD INVESTMENT DEPARTMENT
MINISTRY OF PUBLIC WORKS, URBANIZATION AND HABITAT

BASIC DESIGN ON THE PROJECT FOR
REHABILITATION OF BRIDGES ON ARTERIAL
NATIONAL ROADS IN THE REPUBLIC OF GUINEA

JAPAN INTERNATIONAL COOPERATION AGENCY
KATAHIRA & ENGINEERS INTERNATIONAL

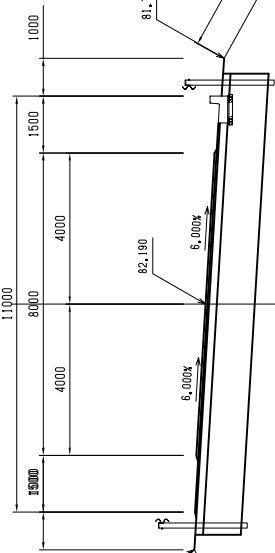
TITLE: KAAKA BRIDGE
CROSS SECTIONS OF ROAD (4)
(NO. 12+0.00 - NO. 12+12.00)

SCALE:
S=1:100

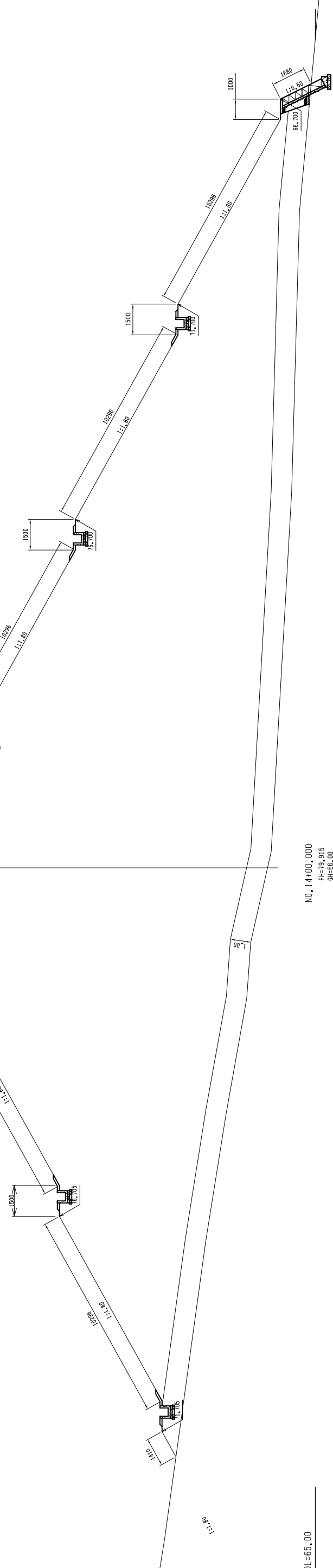
DRAWING No:
K-20

CROSS SECTIONS OF ROAD (5)
(KAAKA BRIDGE)

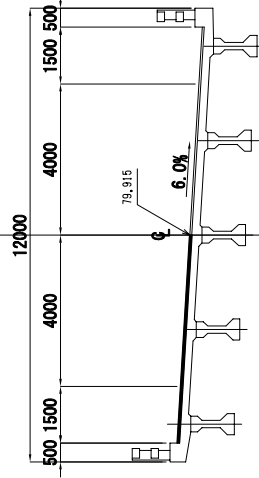
NO. 15+13.000
FH=82.190
GH=67.33
Σ



END OF BRIDGE



NO. 14+00.000
FH=79.815
GH=66.00
Σ



BA	0.00
CA	0.00

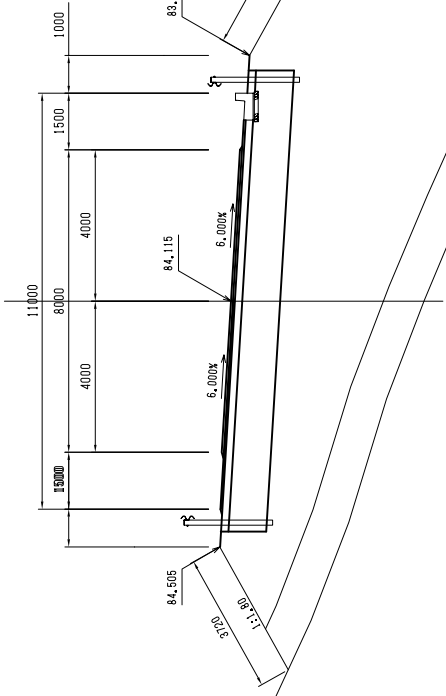
DL=65.00

DL=65.00

ROAD INVESTMENT DEPARTMENT MINISTRY OF PUBLIC WORKS, URBANIZATION AND HABITAT	BASIC DESIGN ON THE PROJECT FOR REHABILITATION OF BRIDGES ON ARTERIAL NATIONAL ROADS IN THE REPUBLIC OF GUINEA	JAPAN INTERNATIONAL COOPERATION AGENCY KATAHIRA & ENGINEERS INTERNATIONAL	TITLE: KAAKA BRIDGE CROSS SECTIONS OF ROAD (5) (NO. 14+0.00 - NO. 15+13.00)	SCALE: S=1:100	DRAWING No: K-21
--	--	--	---	-------------------	---------------------

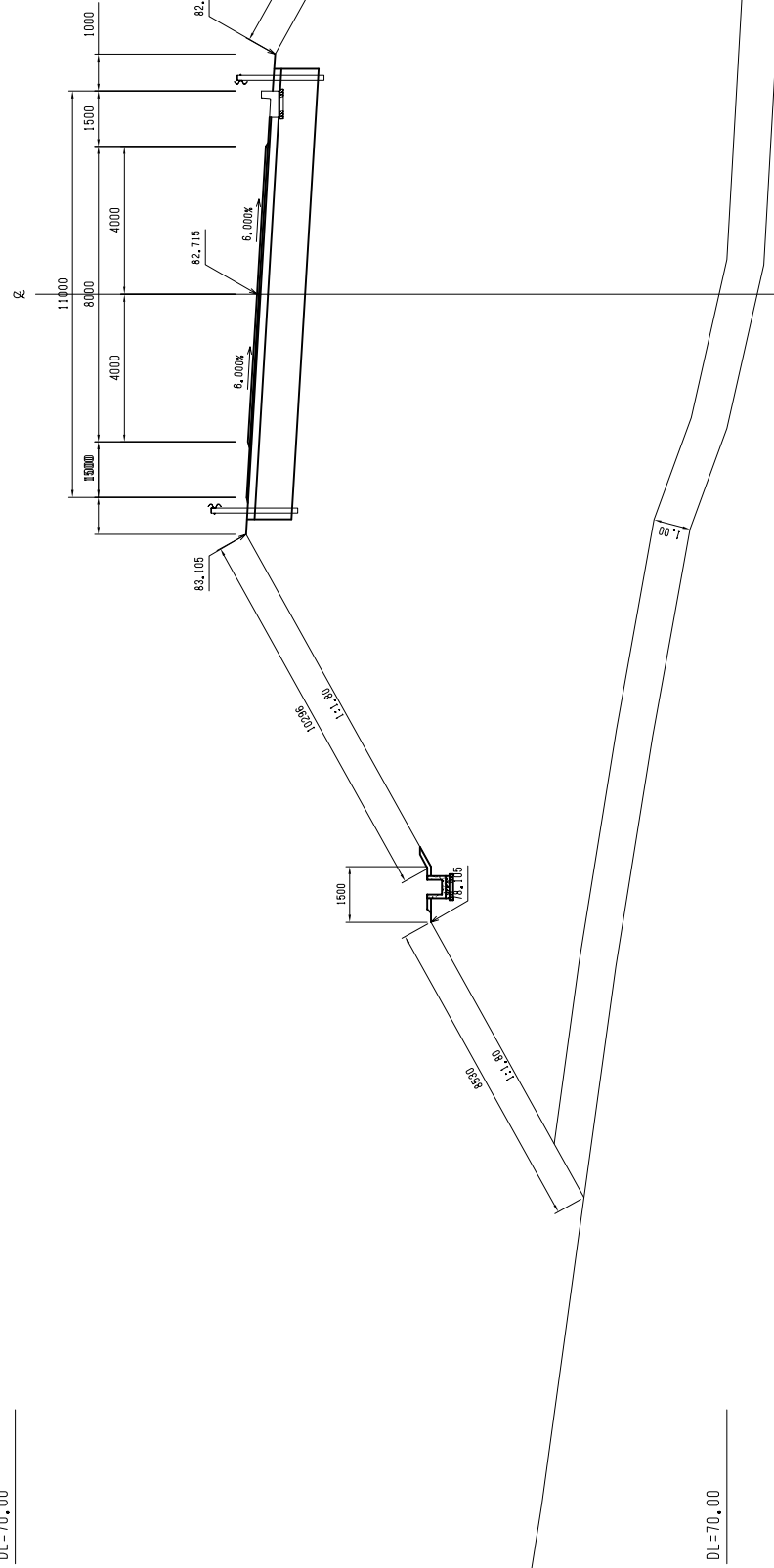
CROSS SECTIONS OF ROAD (6) (KAAKA BRIDGE)

NO. 17+00.000
FH=84.115
OH=79.01
Σ



BA	200.83
CA	0.00

NO. 16+00.000
FH=82.715
OH=59.18
Σ



BA	412.63
CA	0.00

DL=70.00

DL=70.00

ROAD INVESTMENT DEPARTMENT
MINISTRY OF PUBLIC WORKS, URBANIZATION AND HABITAT

BASIC DESIGN ON THE PROJECT FOR
REHABILITATION OF BRIDGES ON ARTERIAL
NATIONAL ROADS IN THE REPUBLIC OF GUINEA

JAPAN INTERNATIONAL COOPERATION AGENCY
KATAHIRA & ENGINEERS INTERNATIONAL

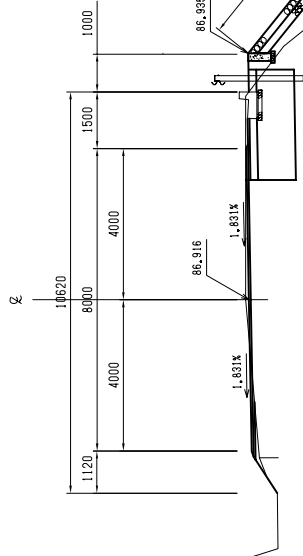
TITLE : KAAKA BRIDGE
CROSS SECTIONS OF ROAD (6)
(NO. 16+0.00 - NO. 17+0.00)

SCALE :
S=1:100

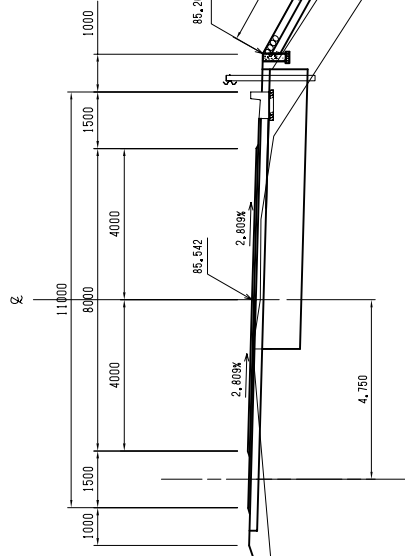
DRAWING No:
K-22

CROSS SECTIONS OF ROAD (7) (KAAKA BRIDGE)

BC 4-0(NO.18+18.559)
FH=86.916
GH=87.00



NO.18+00.000
PH=85.542
GH=85.33



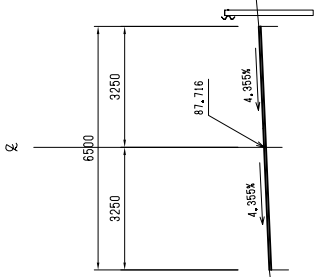
DL=75.00

DL=70.00

ROAD INVESTMENT DEPARTMENT MINISTRY OF PUBLIC WORKS, URBANIZATION AND HABITAT	BASIC DESIGN ON THE PROJECT FOR REHABILITATION OF BRIDGES ON ARTERIAL NATIONAL ROADS IN THE REPUBLIC OF GUINEA	JAPAN INTERNATIONAL COOPERATION AGENCY KATAHIRA & ENGINEERS INTERNATIONAL	TITLE : KAAKA BRIDGE CROSS SECTIONS OF ROAD (7) (NO. 18+0.00 - NO. 18+18.559)	SCALE : S=1:100	DRAWING No: K-23
--	--	--	---	--------------------	---------------------

CROSS SECTIONS OF ROAD (8) (KAAKA BRIDGE)

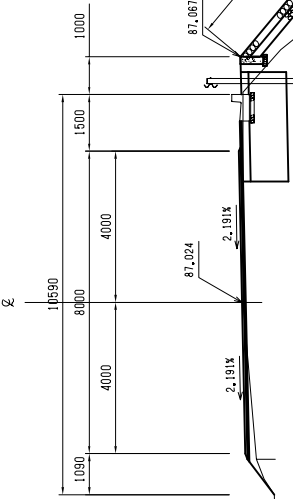
NO. 25+00.000
FH=87.716
GH=87.716



END POINT OF PROJECT

BA	0.00
CA	0.00

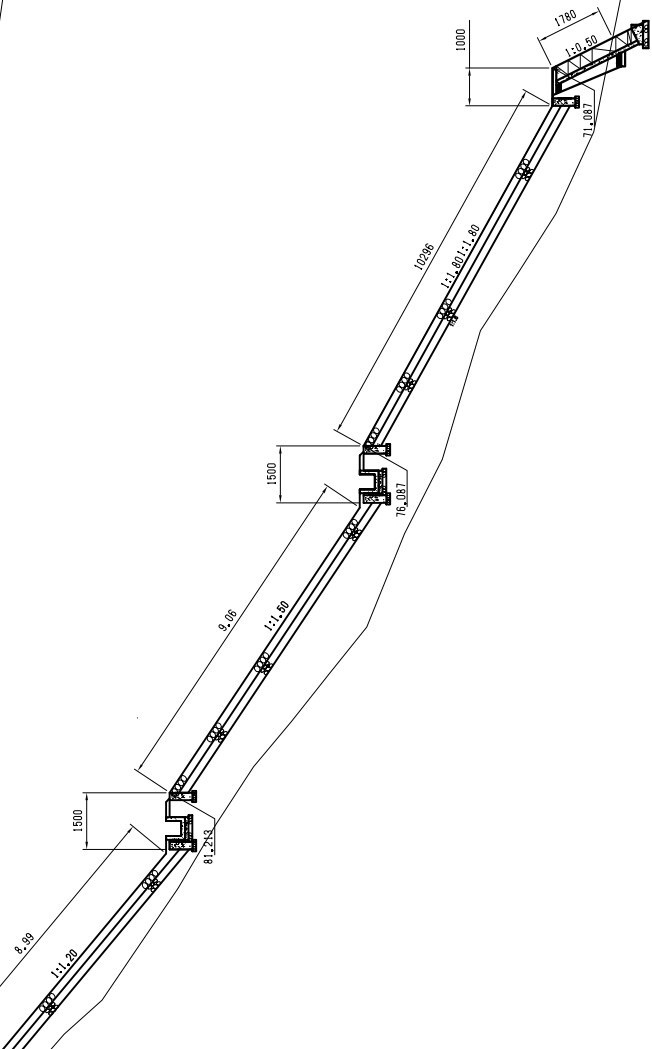
NO. 19+00.000
FH=87.024
GH=87.00



BA	31.83
CA	3.46

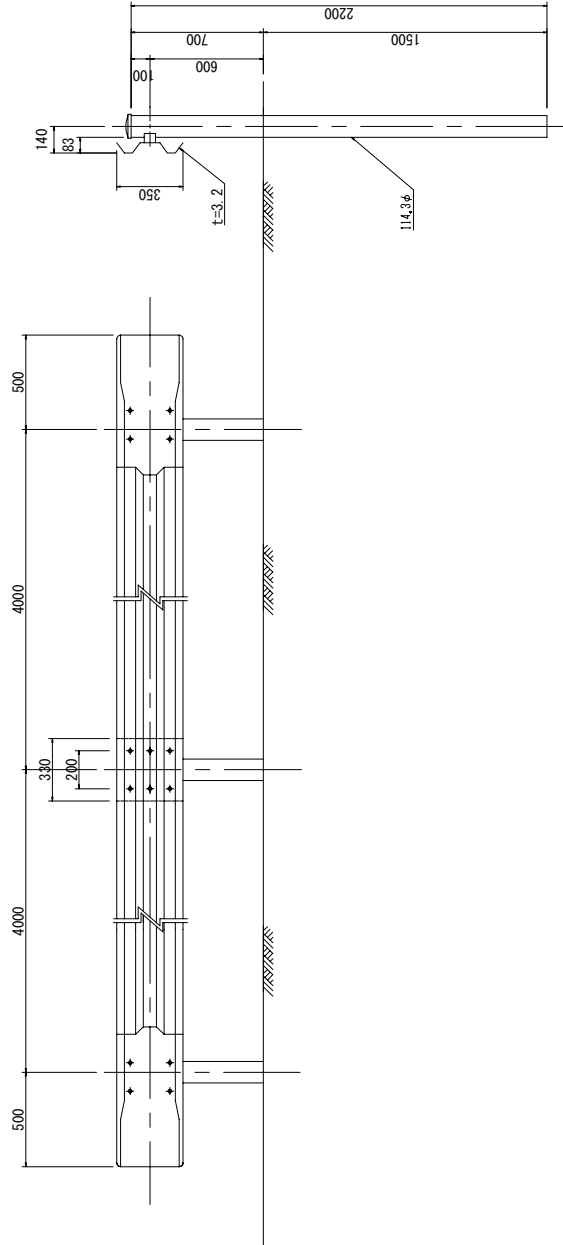
DL=80.00

DL=75.00



ROAD INVESTMENT DEPARTMENT MINISTRY OF PUBLIC WORKS, URBANIZATION AND HABITAT	BASIC DESIGN ON THE PROJECT FOR REHABILITATION OF BRIDGES ON ARTERIAL NATIONAL ROADS IN THE REPUBLIC OF GUINEA	JAPAN INTERNATIONAL COOPERATION AGENCY KATAHIRA & ENGINEERS INTERNATIONAL	TITLE : KAKA BRIDGE CROSS SECTIONS OF ROAD (8) (NO. 19+0.00 - NO. 25+0.00)	SCALE : S=1:100	DRAWING No: K-24
--	--	--	--	--------------------	---------------------

GUARDRAIL AND STON PITCHING
(KAAKA BRIDGE)

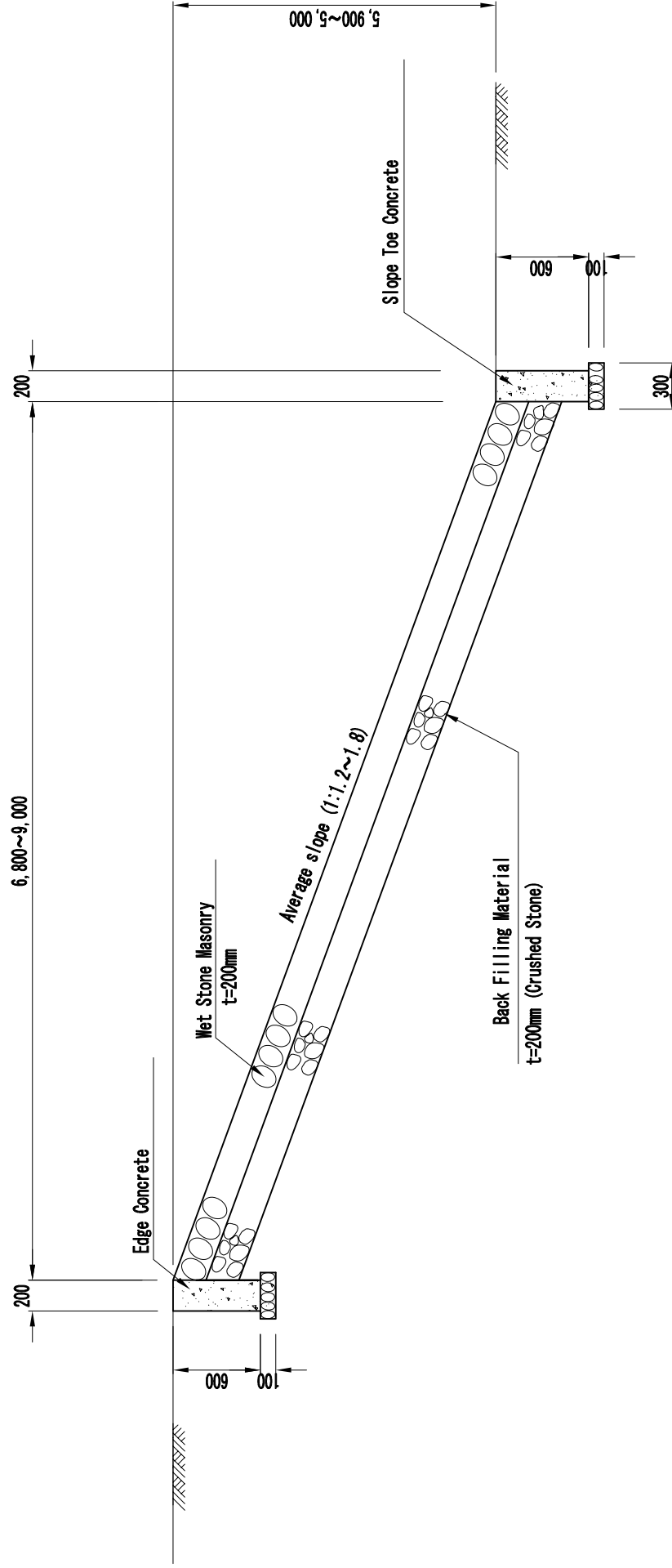


FORM	SPAN mm	POST mm	BEAM mm	WEIGHT/ONE kg	REMARKS
Gr-B-4E	4000	114.3φX4.5X2200	3.2X350X4330	19.4	FOR SOIL

SCHEDULED LIST OF GUIDE RAIL

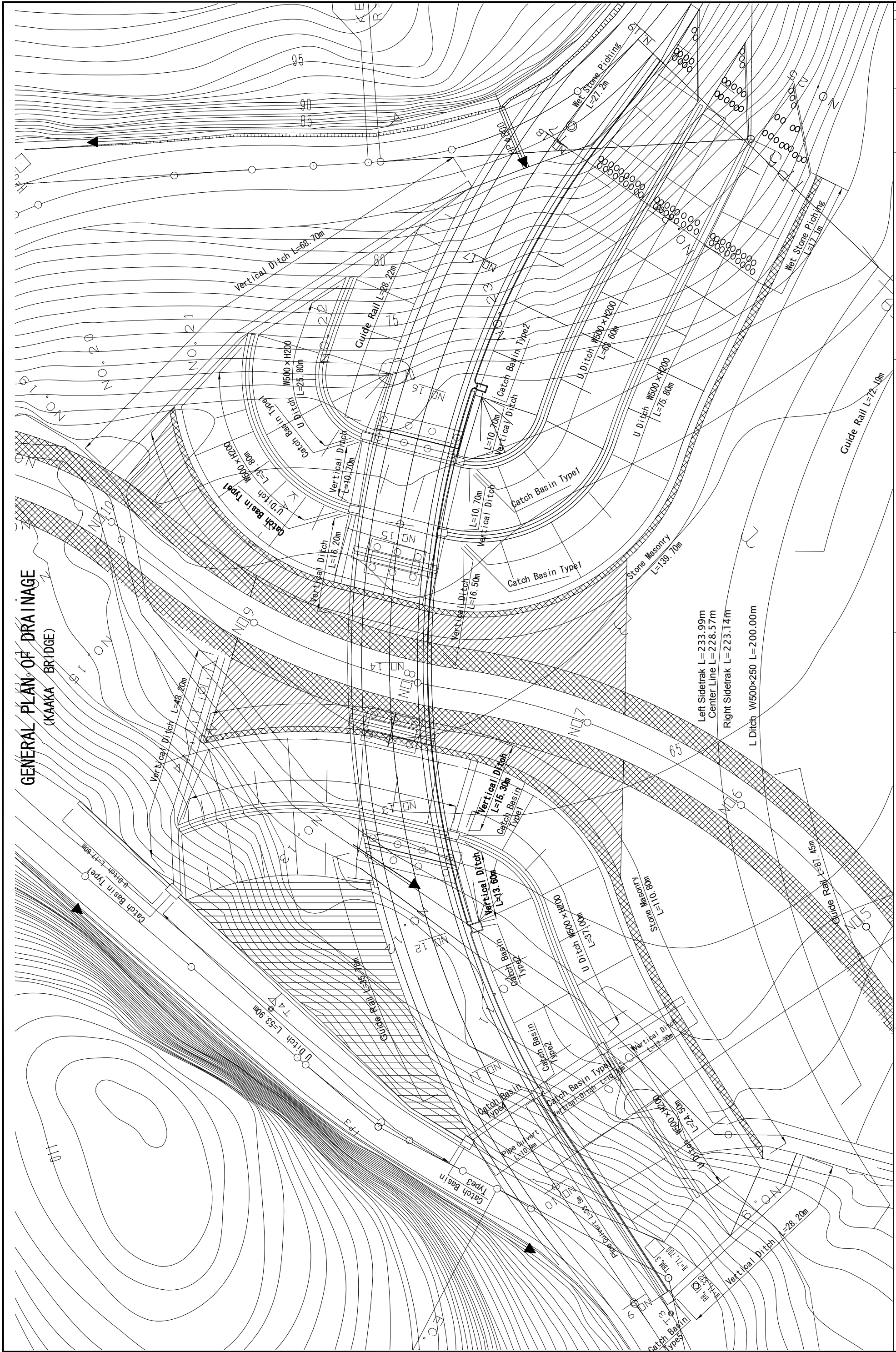
STATION	LEFT SIDE		RIGHT SIDE	
	LENGTH (m)	Number (Nos.)	STATION	LENGTH (m)
11+0.0 to 17+0.0	64.0	16	8+0.0 to 25+0.0	159.6
TOTAL LENGTH (Left + Right) = 64.0 + 159.6 = 123.6m				
Number (Nos.) = 40				

GUIDE RAIL Scale 1:20



STON PITCHING Scale 1:25

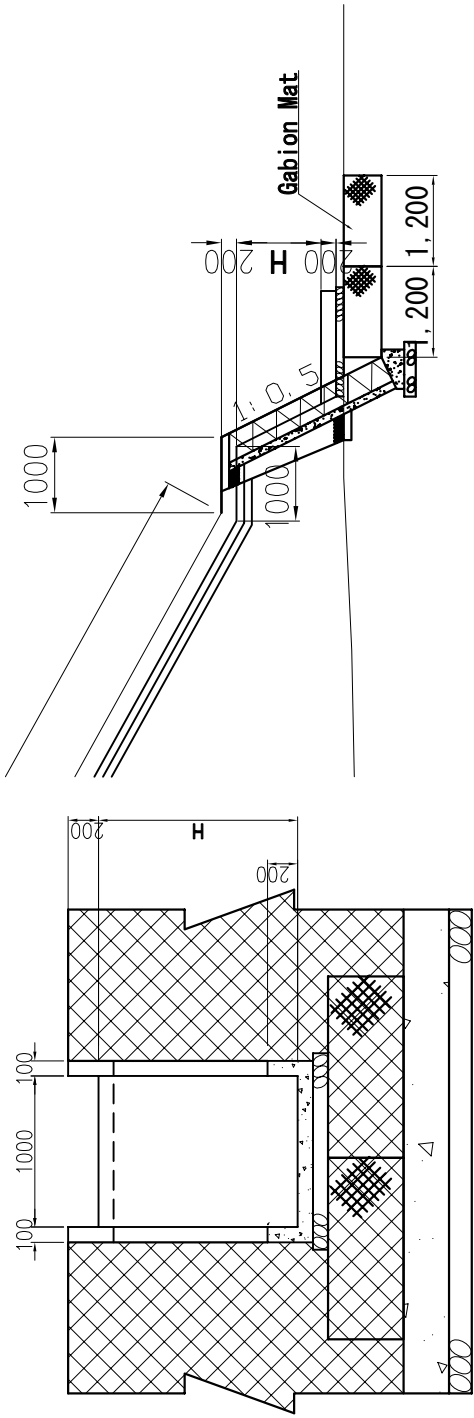
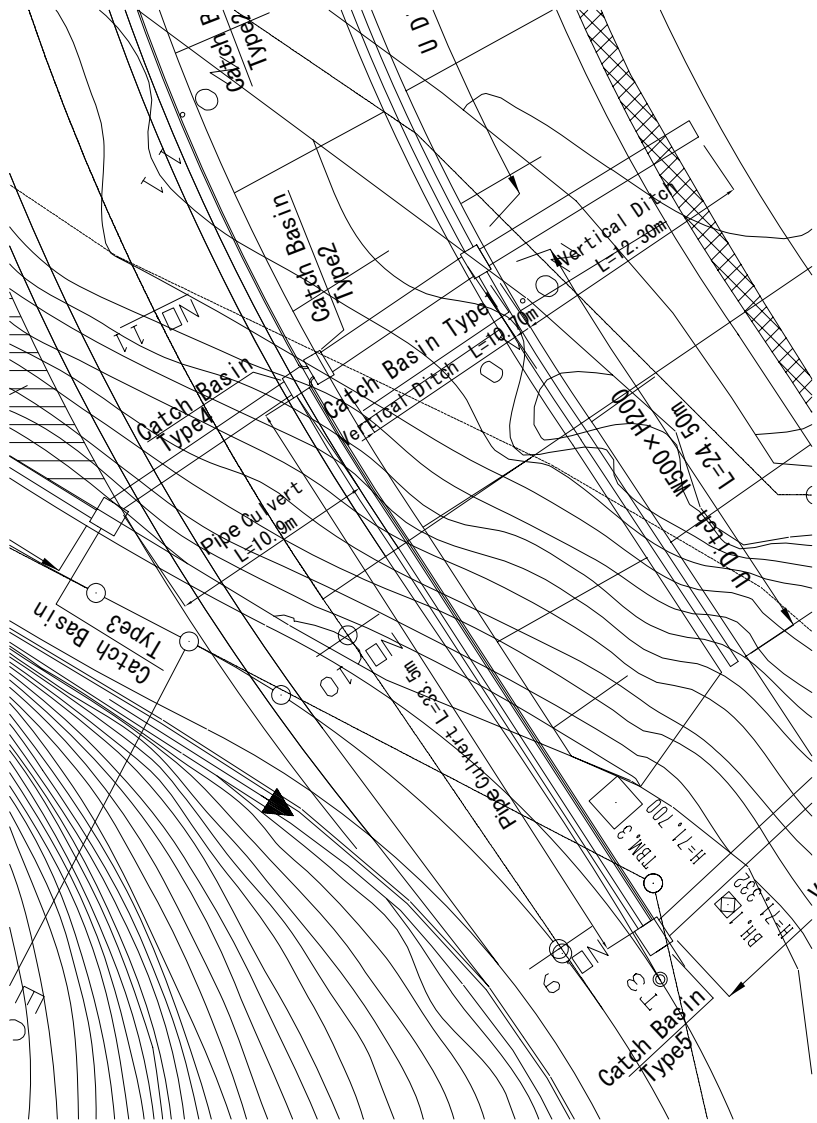
ROAD INVESTMENT DEPARTMENT MINISTRY OF PUBLIC WORKS, URBANIZATION AND HABITAT	BASIC DESIGN ON THE PROJECT FOR REHABILITATION OF BRIDGES ON ARTERIAL NATIONAL ROADS IN THE REPUBLIC OF GUINEA	JAPAN INTERNATIONAL COOPERATION AGENCY KATAHIRA & ENGINEERS INTERNATIONAL	TITLE: KAAKA BRIDGE GUARDRAIL AND STON PITCHING	SCALE: AS SHOWN	DRAWING No: K-25
--	--	--	--	--------------------	---------------------



GENERAL PLAN OF DRAINAGE
(KAAKA BRIDGE)

<p>ROAD INVESTMENT DEPARTMENT MINISTRY OF PUBLIC WORKS, URBANIZATION AND HABITAT</p>	<p>BASIC DESIGN ON THE PROJECT FOR REHABILITATION OF BRIDGES ON ARTERIAL NATIONAL ROADS IN THE REPUBLIC OF GUINEA</p>	<p>JAPAN INTERNATIONAL COOPERATION AGENCY KATAHIRA & ENGINEERS INTERNATIONAL</p>	<p>TITLE: KAAKA BRIDGE GENERAL PLAN OF DRAINAGE</p>
<p>SCALE: S=1:250</p>		<p>DRAWING No: K-26</p>	<p>REV.</p>

DETAIL OF DRAINAGE (2)
(KAAKA BRIDGE)



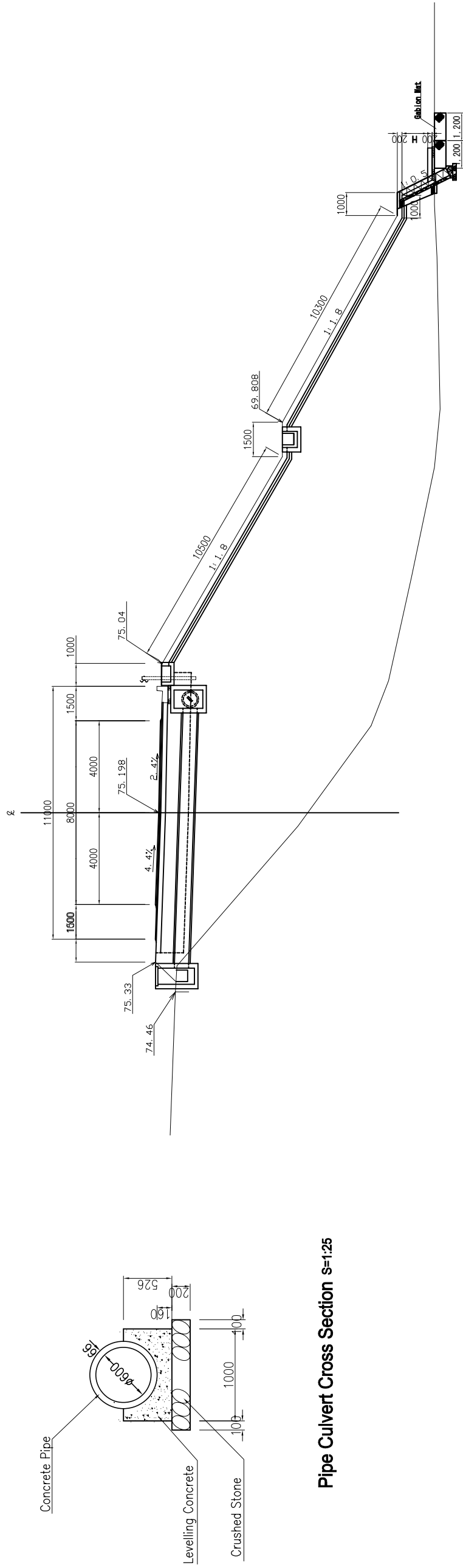
Facade View of Ditch and Outlet Protection S=1:25

Side View of Ditch and Outlet Protection S=1:50

Plan View Of Pipe Culvert S=1:200

NO. 10+12.606

FH=75.198
GH=67.27



JL=60.00

ROAD INVESTMENT DEPARTMENT
MINISTRY OF PUBLIC WORKS, URBANIZATION AND HABITAT

BASIC DESIGN ON THE PROJECT FOR
REHABILITATION OF BRIDGES ON ARTERIAL
NATIONAL ROADS IN THE REPUBLIC OF GUINEA

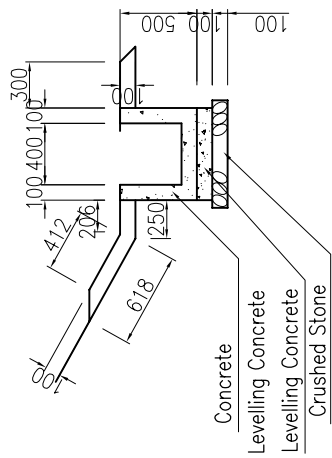
JAPAN INTERNATIONAL COOPERATION AGENCY
KATAHIRA & ENGINEERS INTERNATIONAL

TITLE: KAAKA BRIDGE
DETAIL OF DRAINAGE (2)

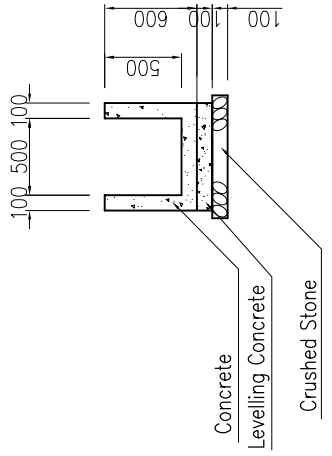
SCALE:
AS SHOWN

DRAWING No:
K-27

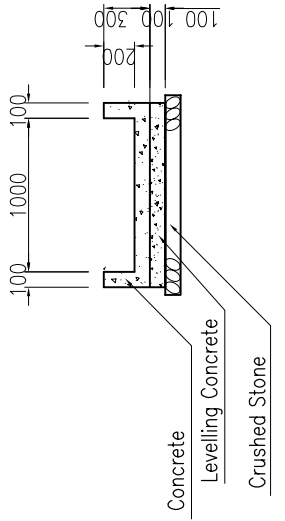
DETAIL OF DRAINAGE (1) (KAAKA BRIDGE)



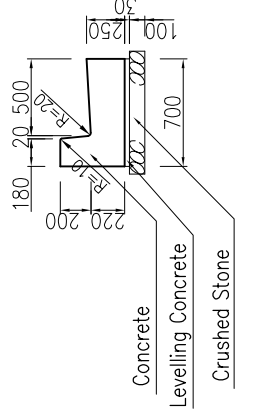
U Ditch(Concrete) Type 1



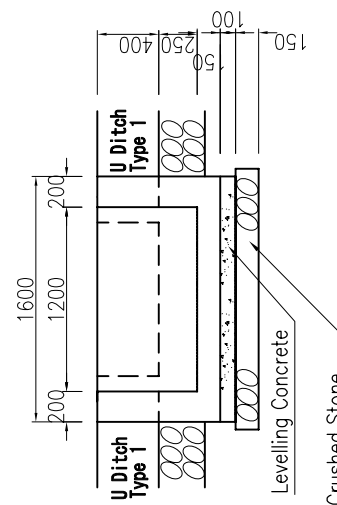
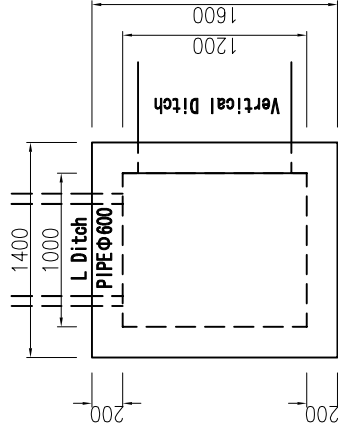
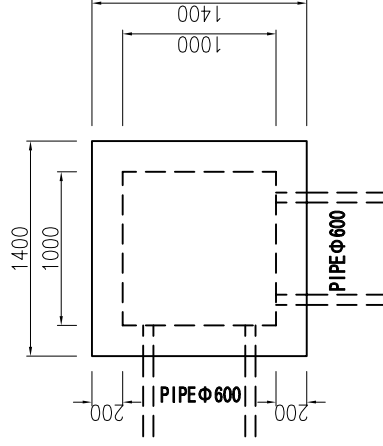
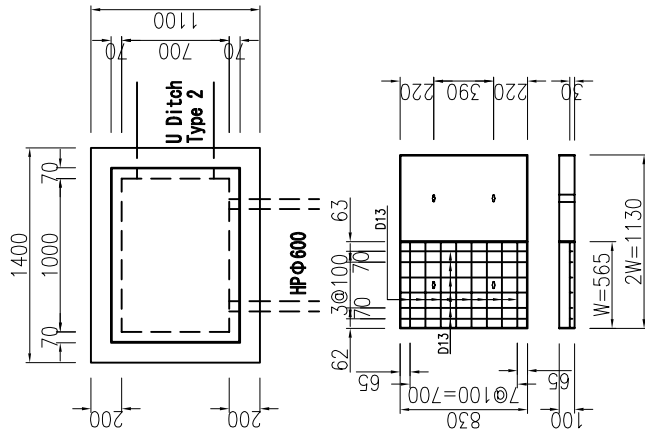
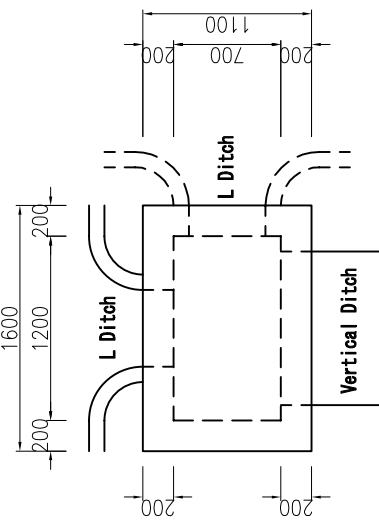
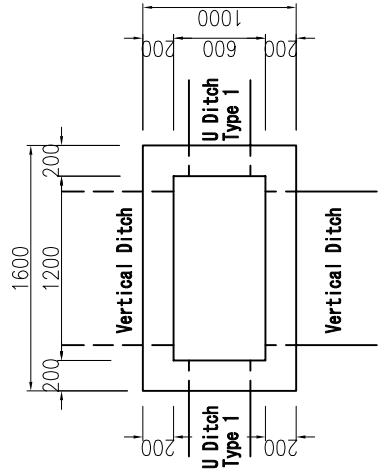
U Ditch(Concrete) Type 2



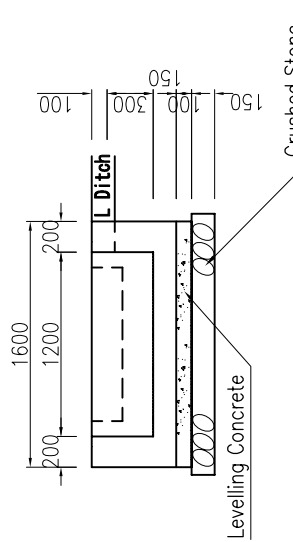
Vertical Ditch(Concrete)



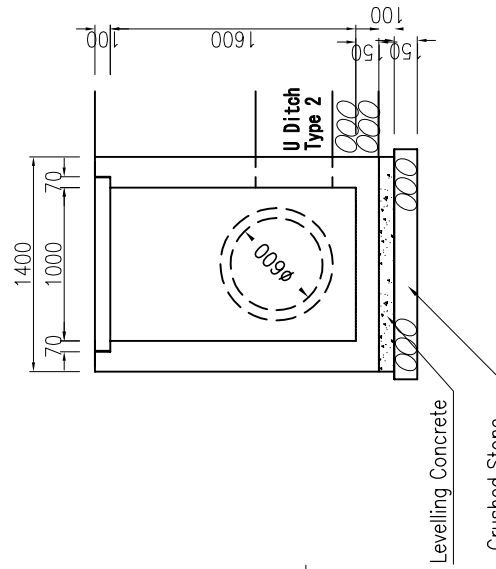
L Ditch(Concrete)



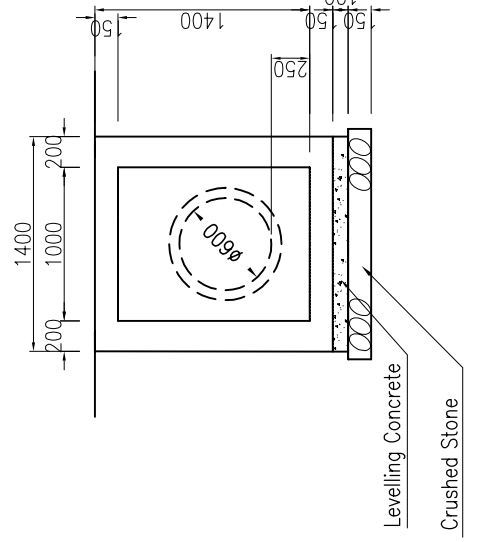
Catch Basin(Concrete) Type1



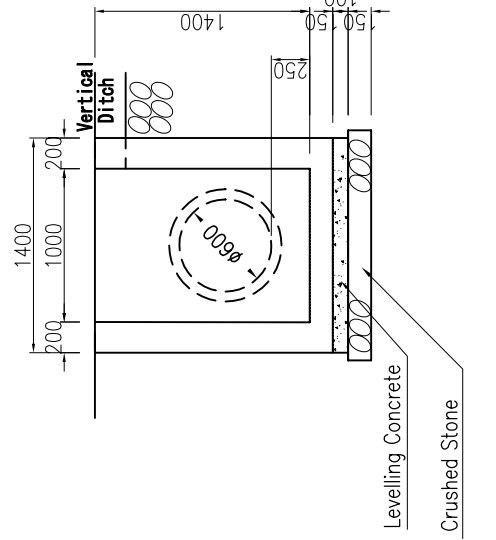
Catch Basin(Concrete) Type2



Catch Basin(Concrete) Type3



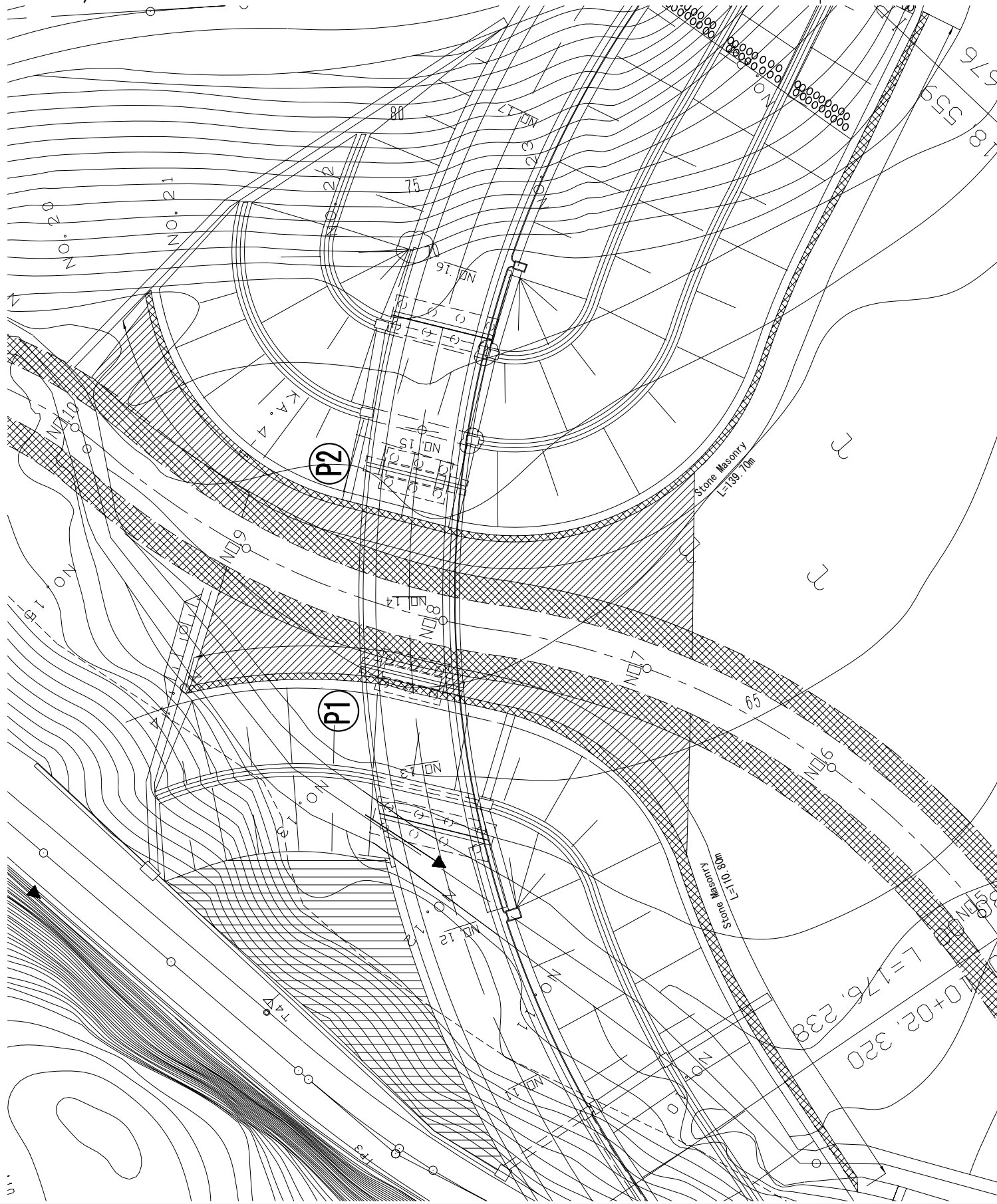
Catch Basin(Concrete) Type4



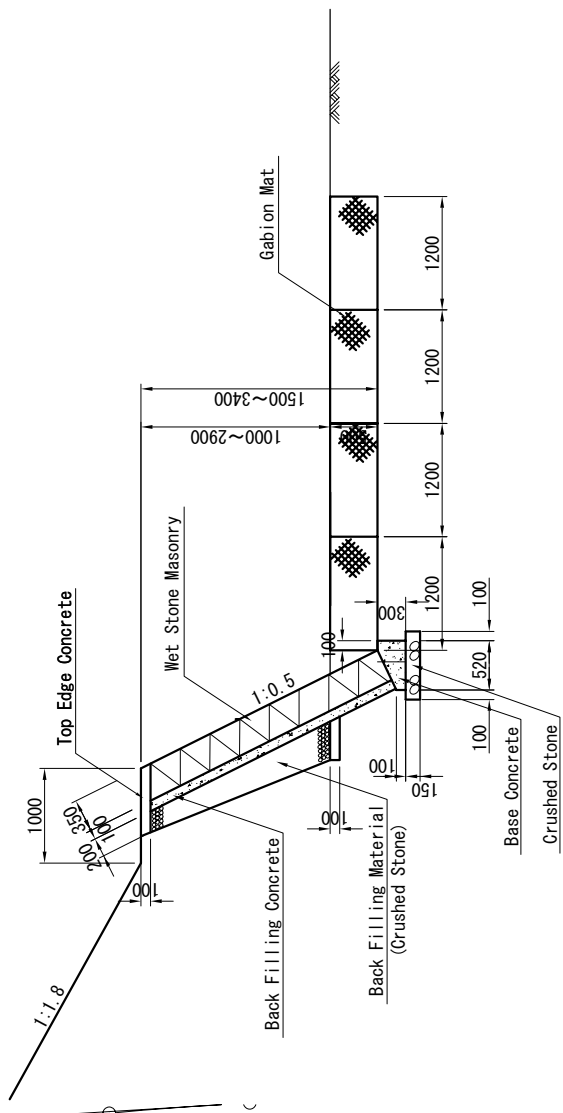
Catch Basin(Concrete) Type5

ROAD INVESTMENT DEPARTMENT MINISTRY OF PUBLIC WORKS, URBANIZATION AND HABITAT	BASIC DESIGN ON THE PROJECT FOR REHABILITATION OF BRIDGES ON ARTERIAL NATIONAL ROADS IN THE REPUBLIC OF GUINEA	JAPAN INTERNATIONAL COOPERATION AGENCY KATAHIRA & ENGINEERS INTERNATIONAL	TITLE : KAAKA BRIDGE DETAIL OF DRAINAGE (1)	SCALE : S=1:25	DRAWING No: K-28
--	--	--	--	-------------------	---------------------

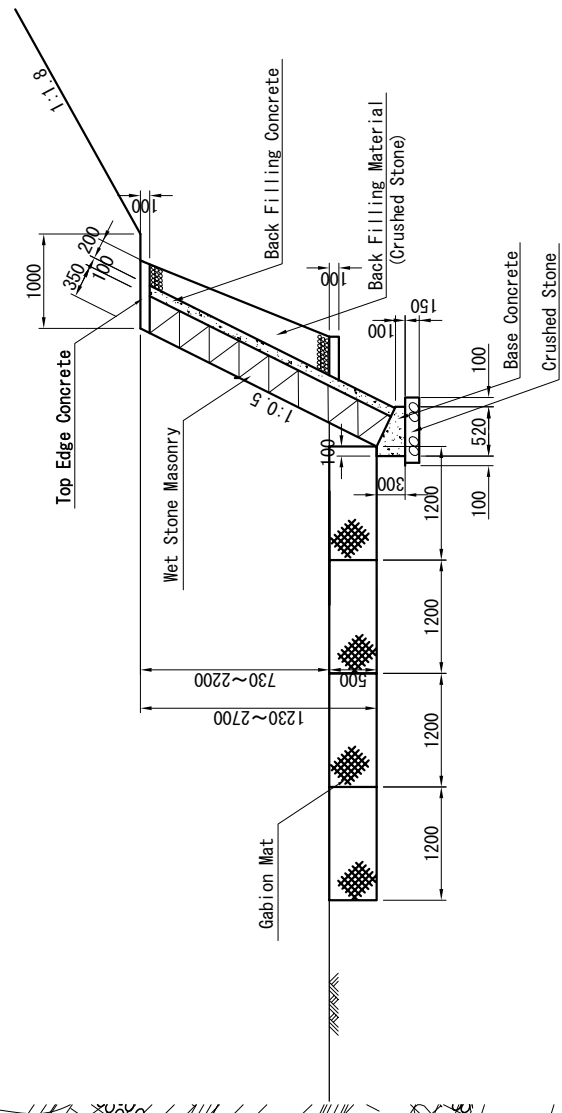
**DETAIL OF BANK AND RIVER BED
(KAAKA BRIDGE)**



PLAN S=1:300



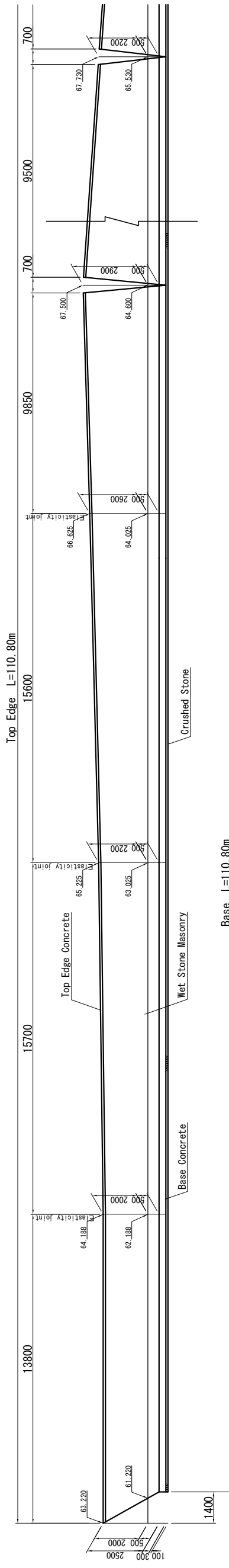
P1 SIDE BANK CROSS SECTION S=1:40



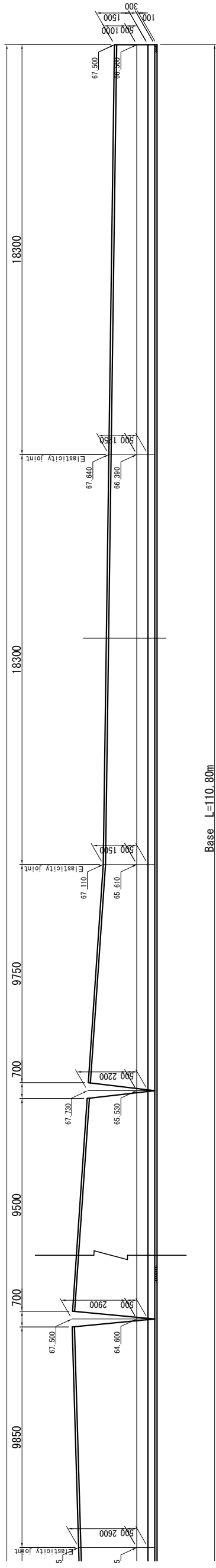
P2 SIDE BANK CROSS SECTION S=1:40

ROAD INVESTMENT DEPARTMENT MINISTRY OF PUBLIC WORKS, URBANIZATION AND HABITAT	BASIC DESIGN ON THE PROJECT FOR REHABILITATION OF BRIDGES ON ARTERIAL NATIONAL ROADS IN THE REPUBLIC OF GUINEA	JAPAN INTERNATIONAL COOPERATION AGENCY KATAHIRA & ENGINEERS INTERNATIONAL	TITLE: KAAKA BRIDGE DETAIL OF BANK RIVER BED	SCALE: AS SHOWN	DRAWING No: K-29
--	--	--	---	--------------------	---------------------

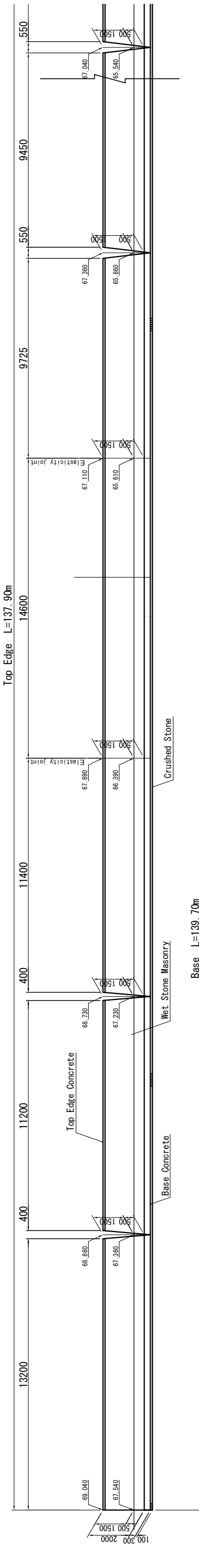
ELEVATION OF WET STONEMASONRY
(KAAGA BRIDGE)



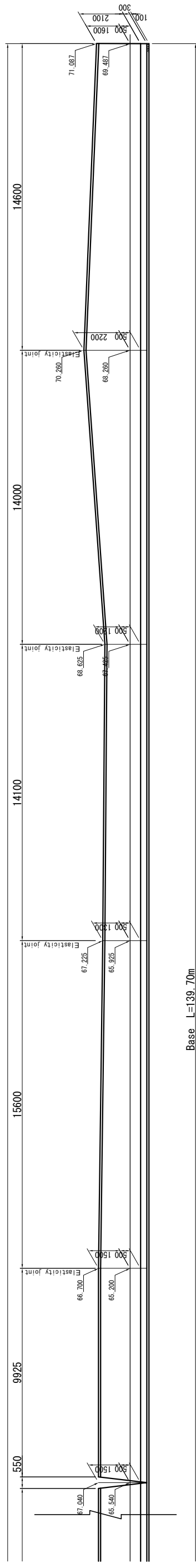
Base L=110.80m
P1 Side Bank



Base L=137.90m
P2 Side Bank



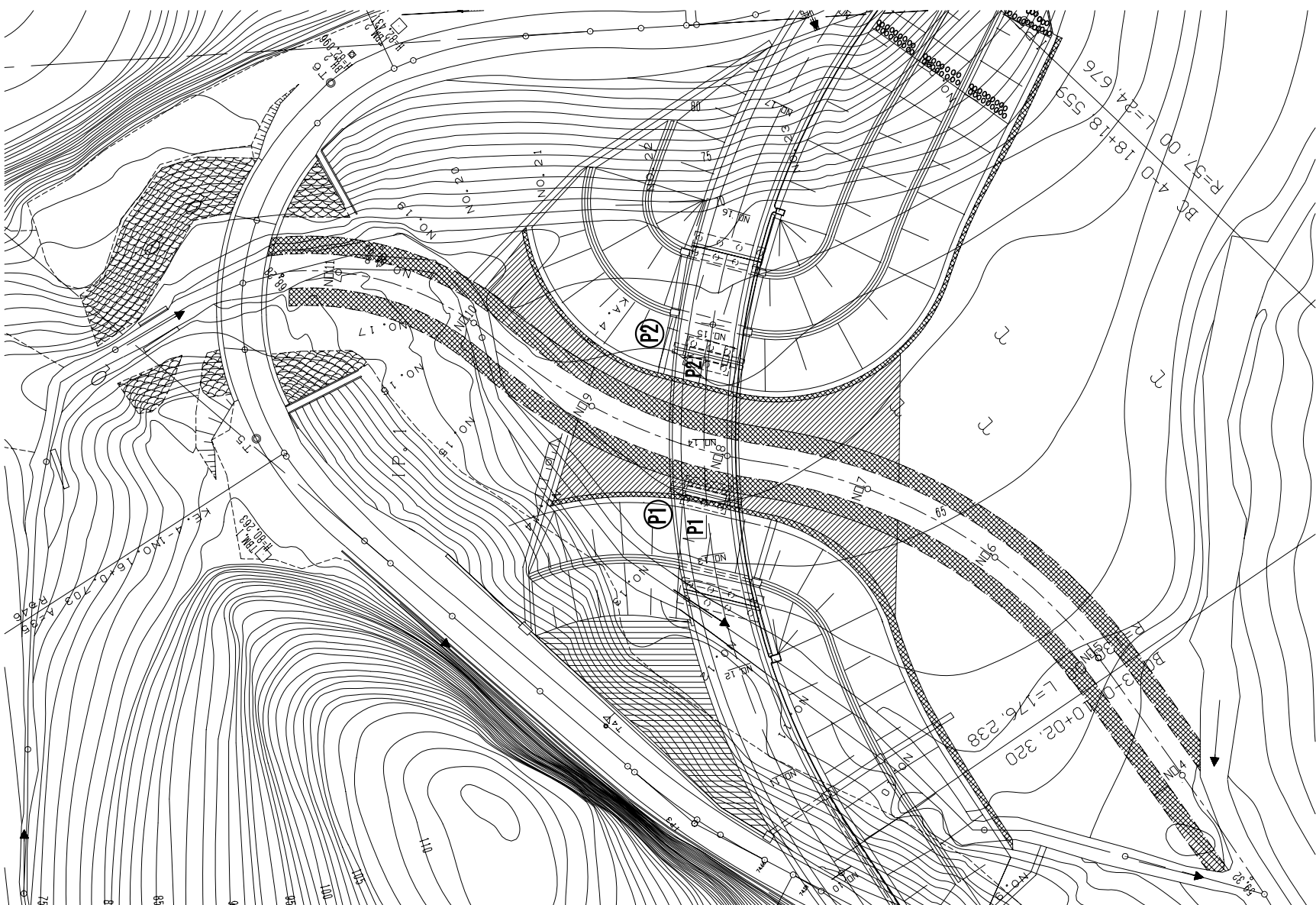
Base L=139.70m
P2 Side Bank



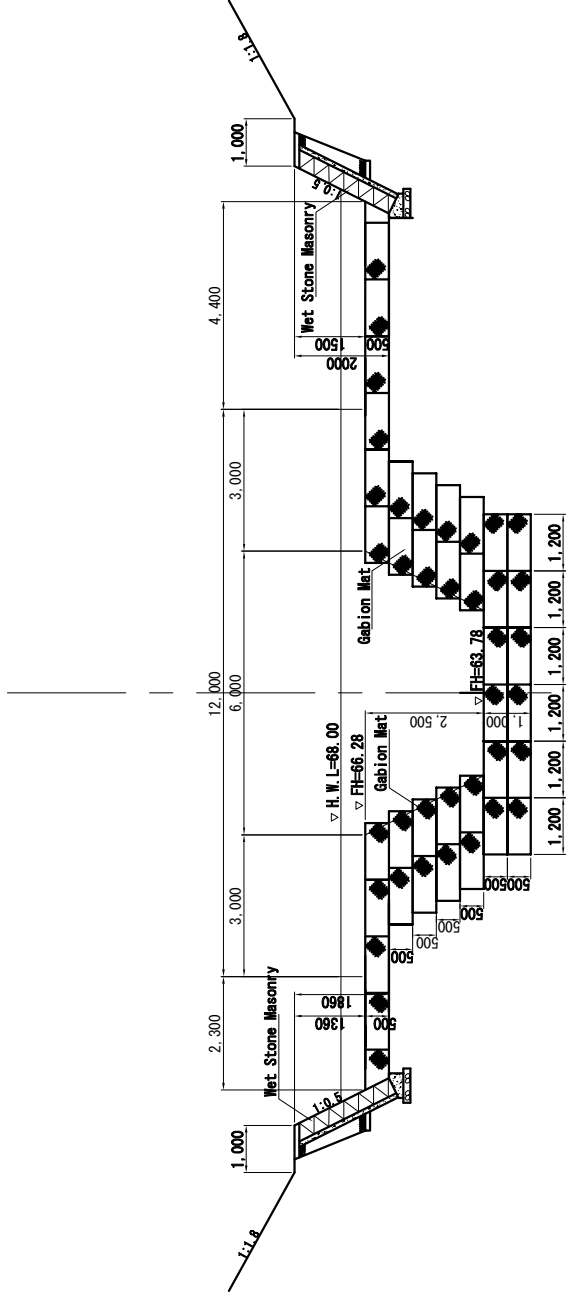
Base L=139.70m
P2 Side Bank

ROAD INVESTMENT DEPARTMENT MINISTRY OF PUBLIC WORKS, URBANIZATION AND HABITAT	BASIC DESIGN ON THE PROJECT FOR REHABILITATION OF BRIDGES ON ARTERIAL NATIONAL ROADS IN THE REPUBLIC OF GUINEA	JAPAN INTERNATIONAL COOPERATION AGENCY KATAHIRA & ENGINEERS INTERNATIONAL	TITLE: KAAGA BRIDGE ELEVATION OF WET STONEMASONRY	SCALE: S=1:100	DRAWING No: K-30
--	--	--	--	-------------------	---------------------

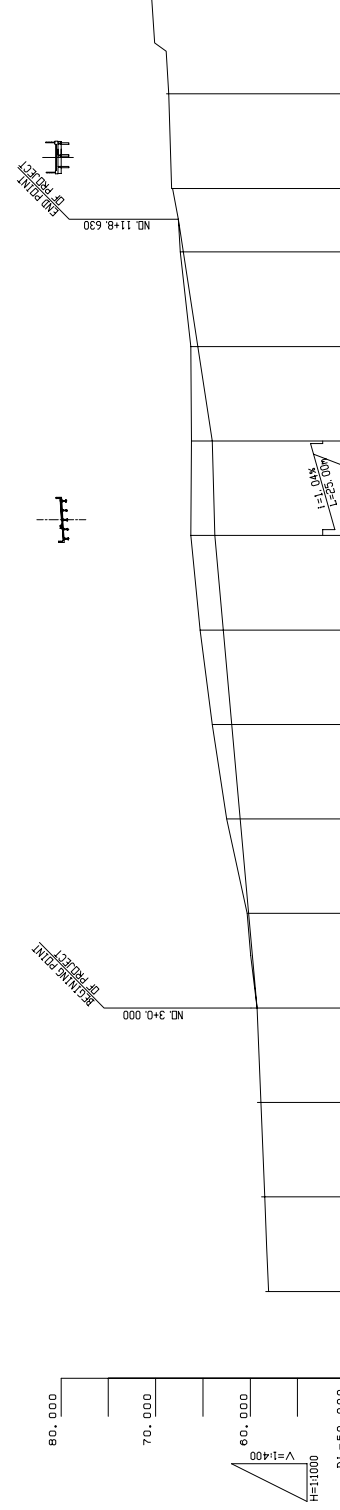
GENERAL VIEW OF RIVER (KAKA BRIDGE)



PLAN S=1:500



SECTION P1-P2 S=1:80



VERTICAL ALIGNMENT	RIVER BED HEIGHT	GROUND HEIGHT	INTERVAL	STATION
58.050	58.470	58.860	25.000	NO. 0
58.470	58.470	58.860	25.000	NO. 1
58.860	58.860	58.860	25.000	NO. 2
59.260	59.260	59.260	25.000	NO. 3
59.260	59.260	60.160	60.300	NO. 4
60.160	60.160	61.060	62.500	NO. 5
61.060	61.060	64.000	64.000	NO. 6
64.000	64.000	65.300	65.300	NO. 7
65.300	65.300	66.200	66.200	NO. 8
66.200	66.200	67.080	67.080	NO. 9
67.080	67.080	67.620	67.620	NO. 10
67.620	67.620	68.300	68.300	NO. 11
68.300	68.300	68.300	68.300	NO. 12
68.300	68.300	68.620	68.620	NO. 13
68.620	68.620	70.420	70.420	NO. 14

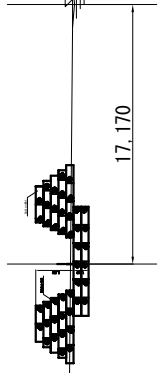
RIVER ELEVATION S=1:1000

CROSS SECTIONS OF RIVER (1)
(KAAKA BRIDGE)

NO. 4

FH=60.160
GH=60.30

BA	0.00
CA	12.8



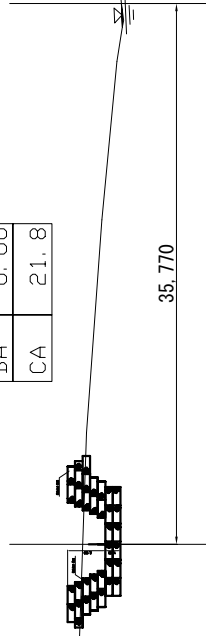
17.170

DL = 50.000

NO. 5

FH=61.060
GH=62.50

BA	0.00
CA	21.8



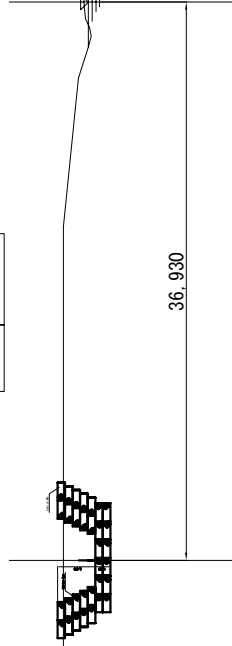
35.770

DL = 50.000

NO. 6

FH=61.950
GH=64.00

BA	0.00
CA	27.5



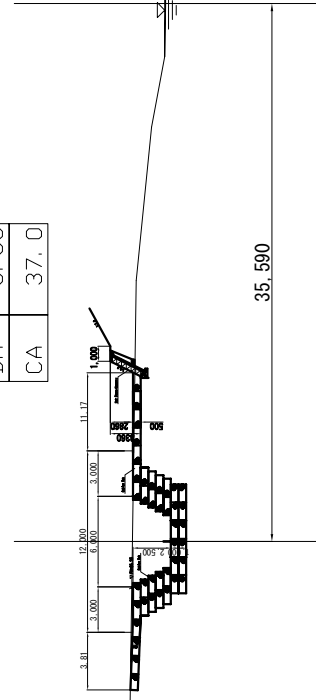
36.930

DL = 50.000

NO. 7

FH=62.850
GH=65.30

BA	0.00
CA	37.0



35.590

DL = 50.000

ROAD INVESTMENT DEPARTMENT
MINISTRY OF PUBLIC WORKS, URBANIZATION AND HABITAT

BASIC DESIGN ON THE PROJECT FOR
REHABILITATION OF BRIDGES ON ARTERIAL
NATIONAL ROADS IN THE REPUBLIC OF GUINEA

JAPAN INTERNATIONAL COOPERATION AGENCY
KATAHIRA & ENGINEERS INTERNATIONAL

TITLE: KAAKA BRIDGE
CROSS SECTIONS OF RIVER (1)

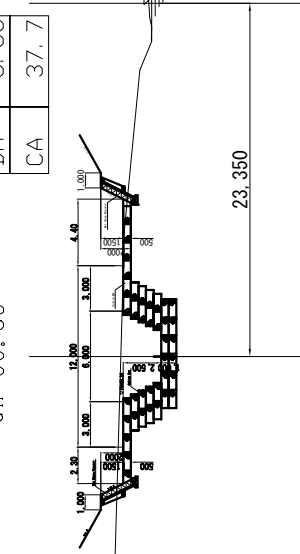
SCALE:
S=1:250

DRAWING No:
K-32

CROSS SECTIONS OF RIVER (2)
(KAAKA BRIDGE)

NO. 8
FH=63.740
GH=66.30

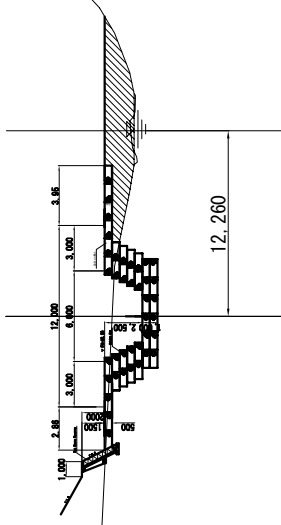
BA	0.00
CA	37.7



DL = 60.000

NO. 9
FH=64.000
GH=66.20

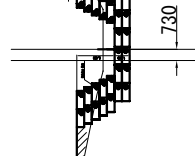
BA	20.3
CA	27.4



DL = 60.000

NO. 10
FH=65.540
GH=66.30

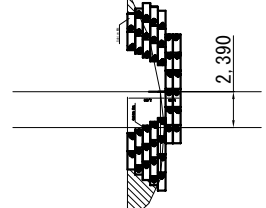
BA	2.9
CA	17.1



DL = 60.000

NO. 11
FH=67.080
GH=67.40

BA	4.4
CA	16.2



DL = 60.000

ROAD INVESTMENT DEPARTMENT
MINISTRY OF PUBLIC WORKS, URBANIZATION AND HABITAT

BASIC DESIGN ON THE PROJECT FOR
REHABILITATION OF BRIDGES ON ARTERIAL
NATIONAL ROADS IN THE REPUBLIC OF GUINEA

JAPAN INTERNATIONAL COOPERATION AGENCY
KATAHIRA & ENGINEERS INTERNATIONAL

TITLE: KAAKA BRIDGE
CROSS SECTIONS OF RIVER (2)

SCALE:
S=1:250

DRAWING No:
K-33