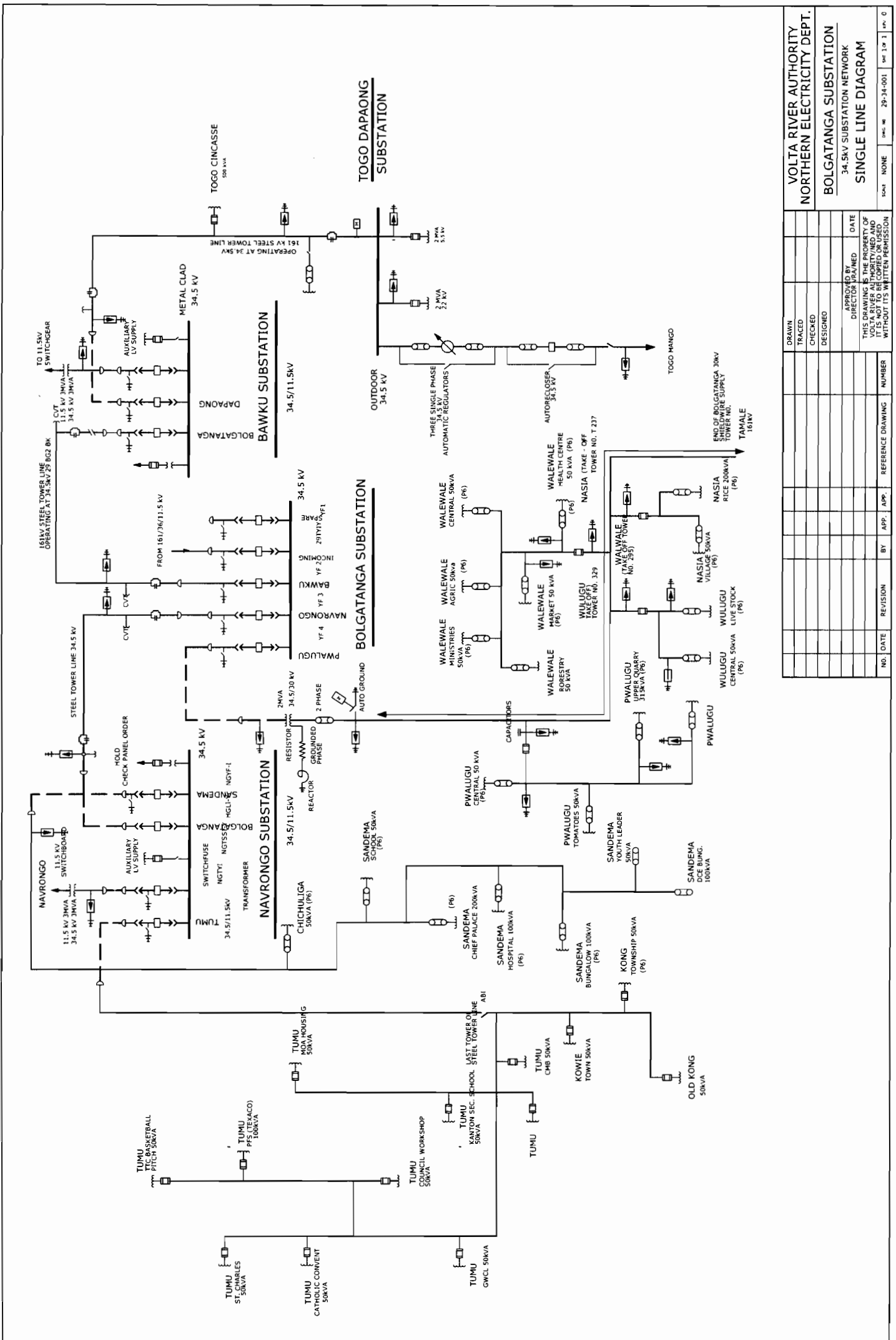
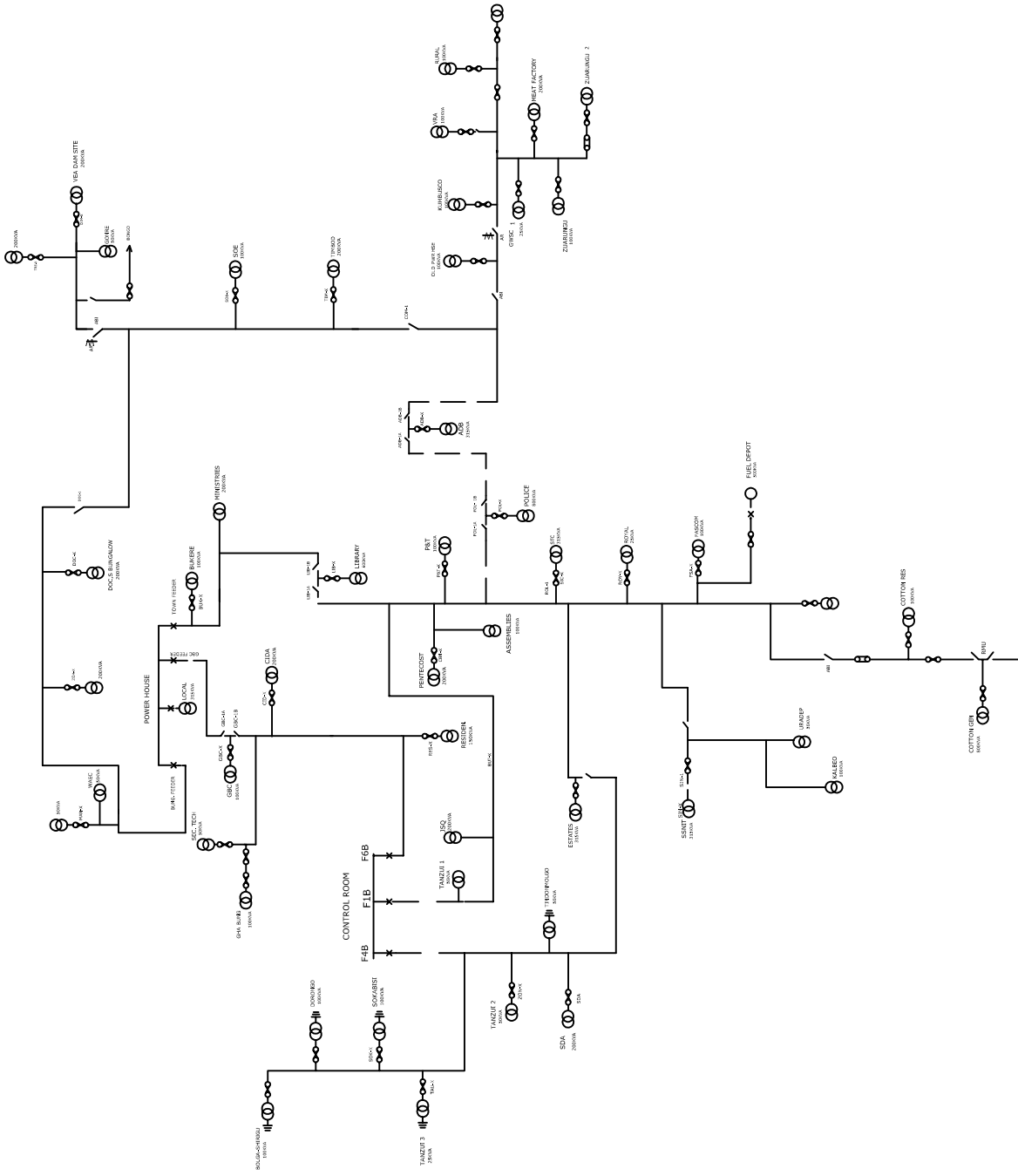


Single Line Diagram

Upper East



VOLTA RIVER AUTHORITY NORTHERN ELECTRICITY DEPT.		DRAWN		TRACED		CHECKED		DESIGNED		APPROVED BY DIRECTOR DRAWN		DATE	
BOLGATANGA SUBSTATION 34.5KV SUBSTATION NETWORK SINGLE LINE DIAGRAM													
NO.	DATE	REVISION	BY	APP.	APP.	REFERENCE	DRAWING	NUMBER					
									THIS DRAWING IS THE PROPERTY OF VOLTA RIVER AUTHORITY AND IT IS NOT TO BE REPRODUCED OR USED WITHOUT ITS WRITTEN PERMISSION				



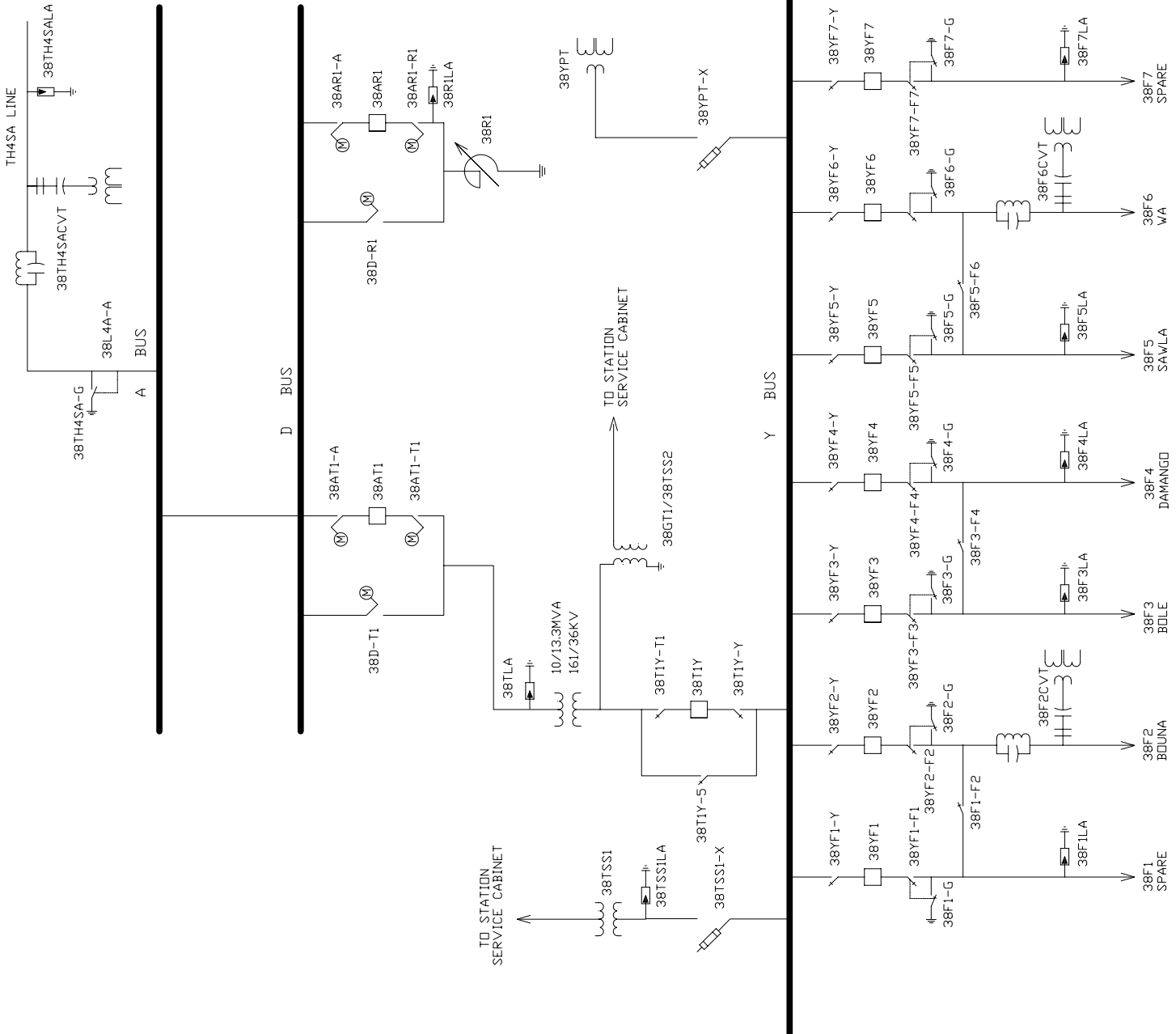
**LEGEND**

- TRANSFORMER & CAPACITY
- ⊗ CIRCUIT BREAKER
- ⊘ AIR BREAK ISOLATOR
- ⊙ H.V. FUSE
- ⊚ RING MAIN UNIT
- OVER HEAD LINE
- UNDERGROUND CABLE
- ⊞ AUTO RECLOSER
- ⊟ LINE ISOLATOR LINK
- ⊠ LIGHTING ARRESTER

VOLTA RIVER AUTHORITY NORTHERN ELECTRICITY DEPT.	
BOUGATANGA SINGLE LINE DIAGRAM 11KV NETWORK 1999	
SCALE: NONE	DWG. NO.

Single Line Diagram

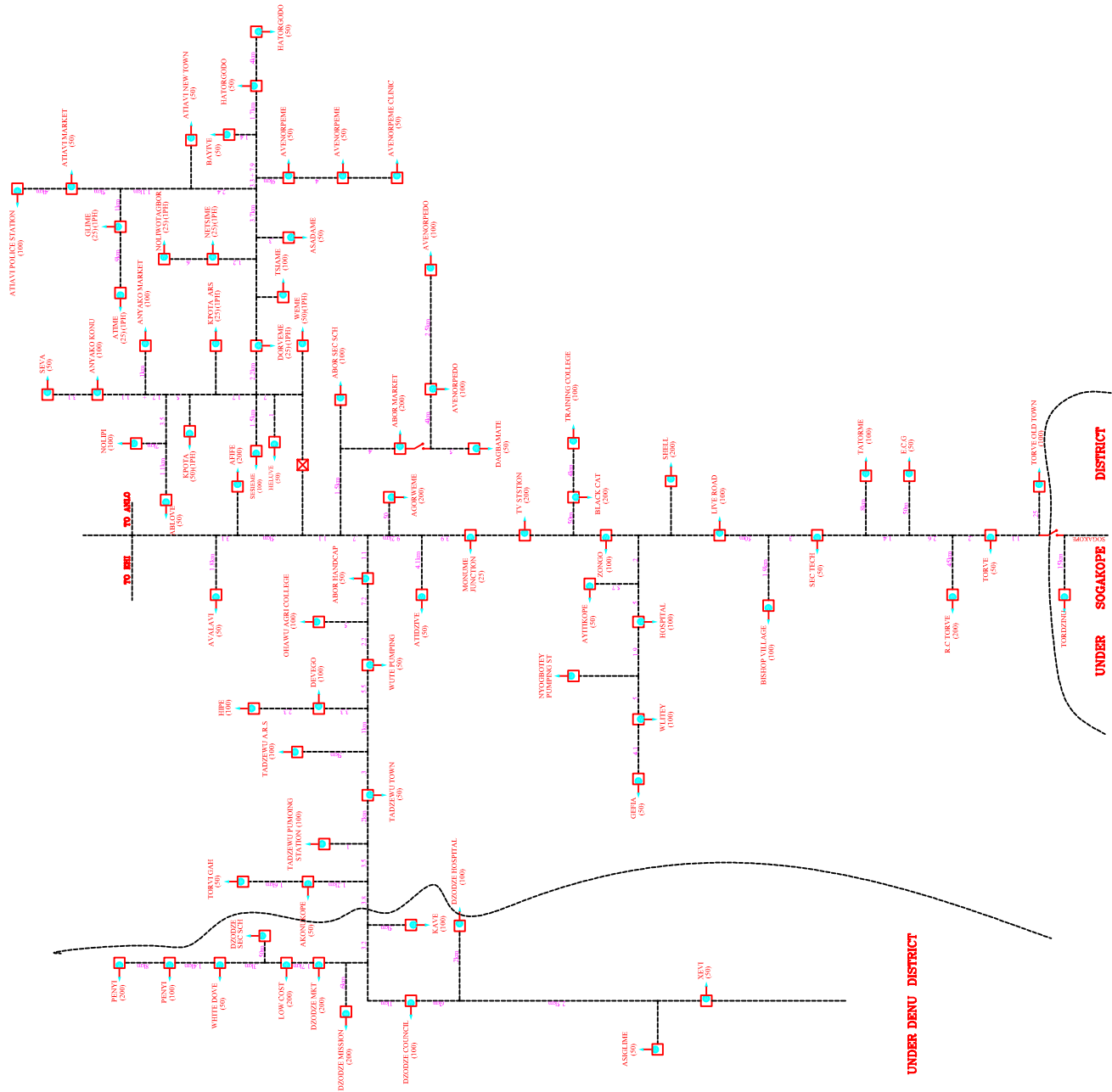
Upper West



Station Name SAWLA SUBSTATION (SA38)	
OPERATING DIAGRAM	ISSUED
DRAWN	CHECKED
INITIALS:	APPROVED
DATE:	

Single Line Diagram

Volta



Rev.	Date	Revision	Drawn	Checked



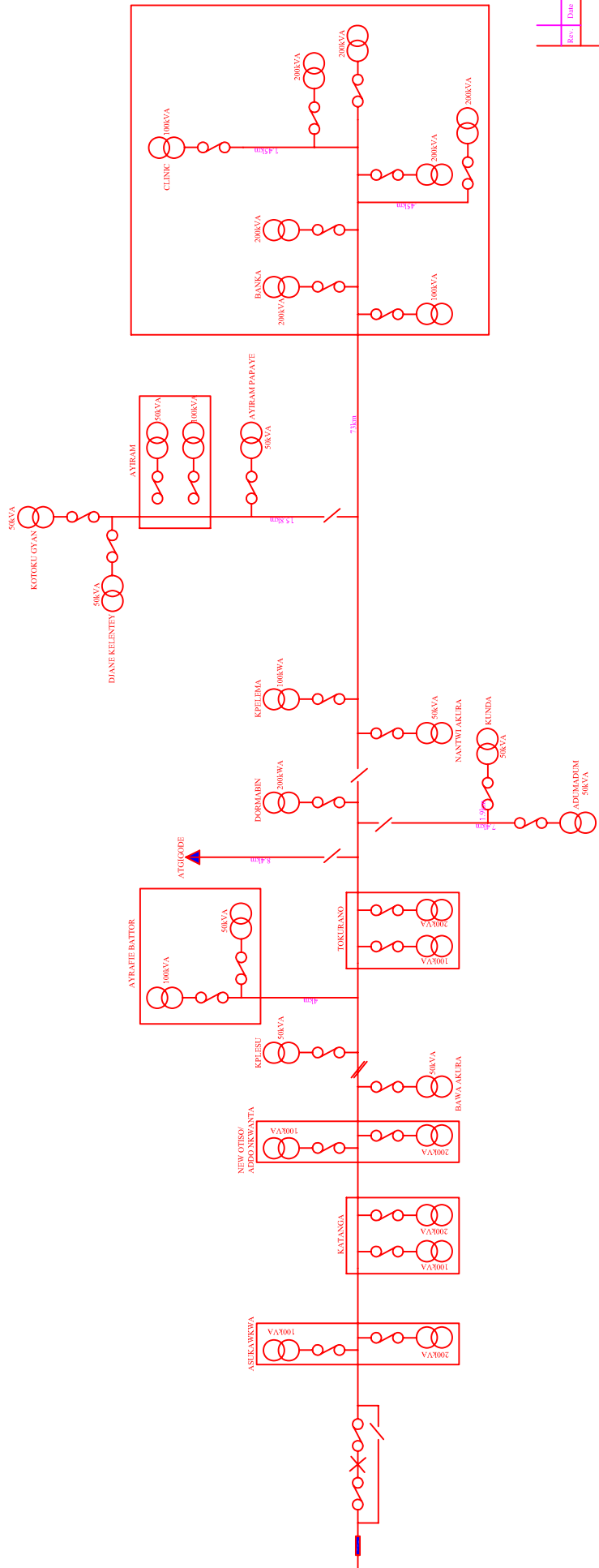
**ELECTRICITY COMPANY OF GHANA LTD**

**VOLTA – REGION**

**AKATSI 33kV  
SCHEMATIC DIAGRAM**

Title

Scale	Not to Scale	Designed
Drawn	Emmanuel Okwah A.	Checked
Date	June 2006	Approved
Drawing No.		Rev.



Rev.	Date	Revision	Drawn	Checked

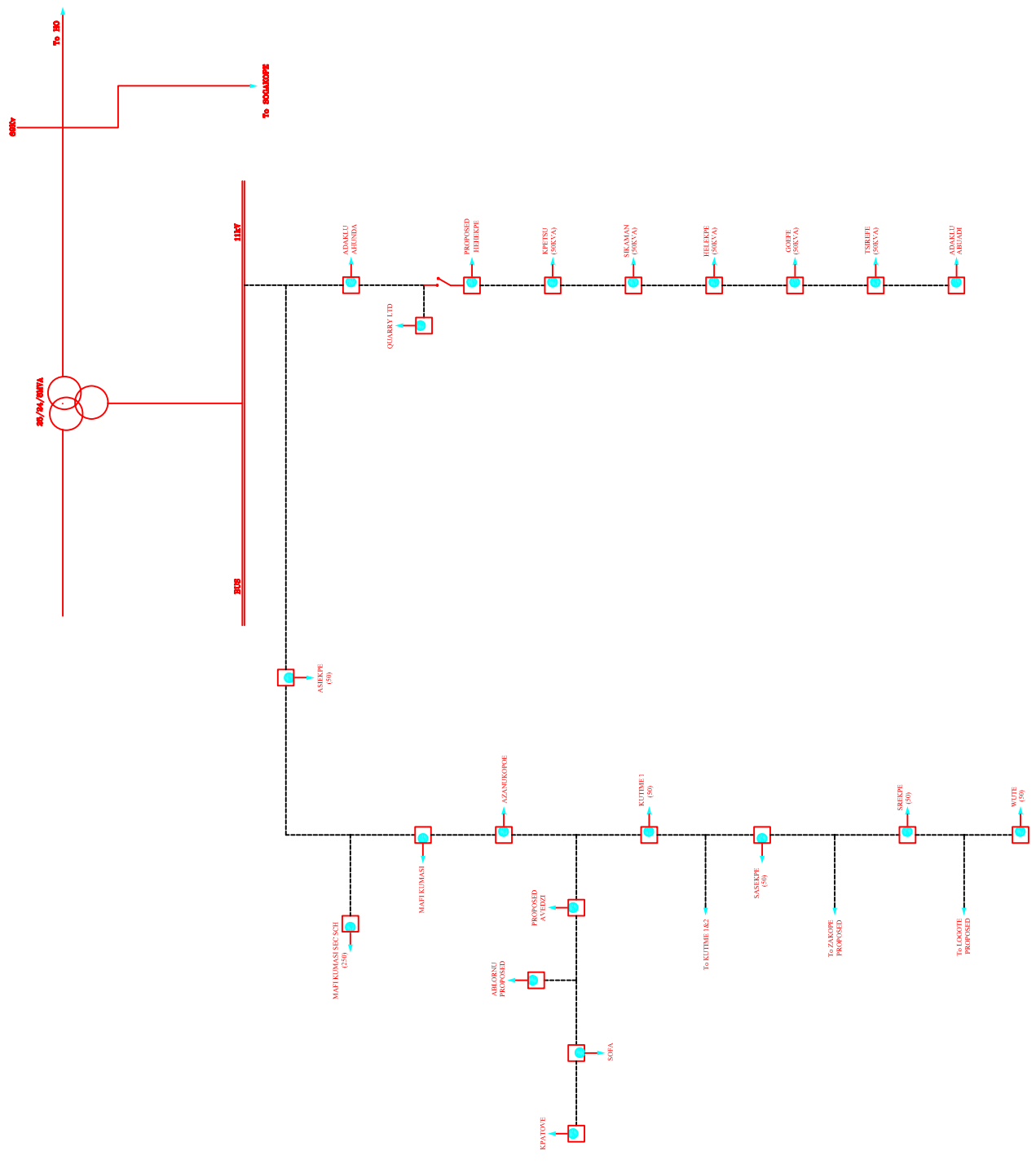
**ELECTRICITY COMPANY OF GHANA LTD**

**VOLTA-REGION**

Title: **AKPOSORKUBI-DAMBAL 33kV SINGLE LINE DIAGRAM**

Scale: Not to Scale	Designed:
Drawn: Emmanuel Okwabi A.	Checked:
Date: June 2006	Approval:
Drawing No.:	Rev.:





Rev.	Date	Revision	Drawn	Checked

**ELECTRICITY COMPANY OF GHANA LTD**

**VOLTA – REGION**

**ASIEKPE 11kV**

**SCHEMATIC DIAGRAM**

Title

Scale: Not to Scale

Drawn: Emmanuel Okwahi A.

Date: June 2006

Designated: \_\_\_\_\_

Checked: \_\_\_\_\_

Approved: \_\_\_\_\_

Drawing No.: \_\_\_\_\_

Rev.: \_\_\_\_\_

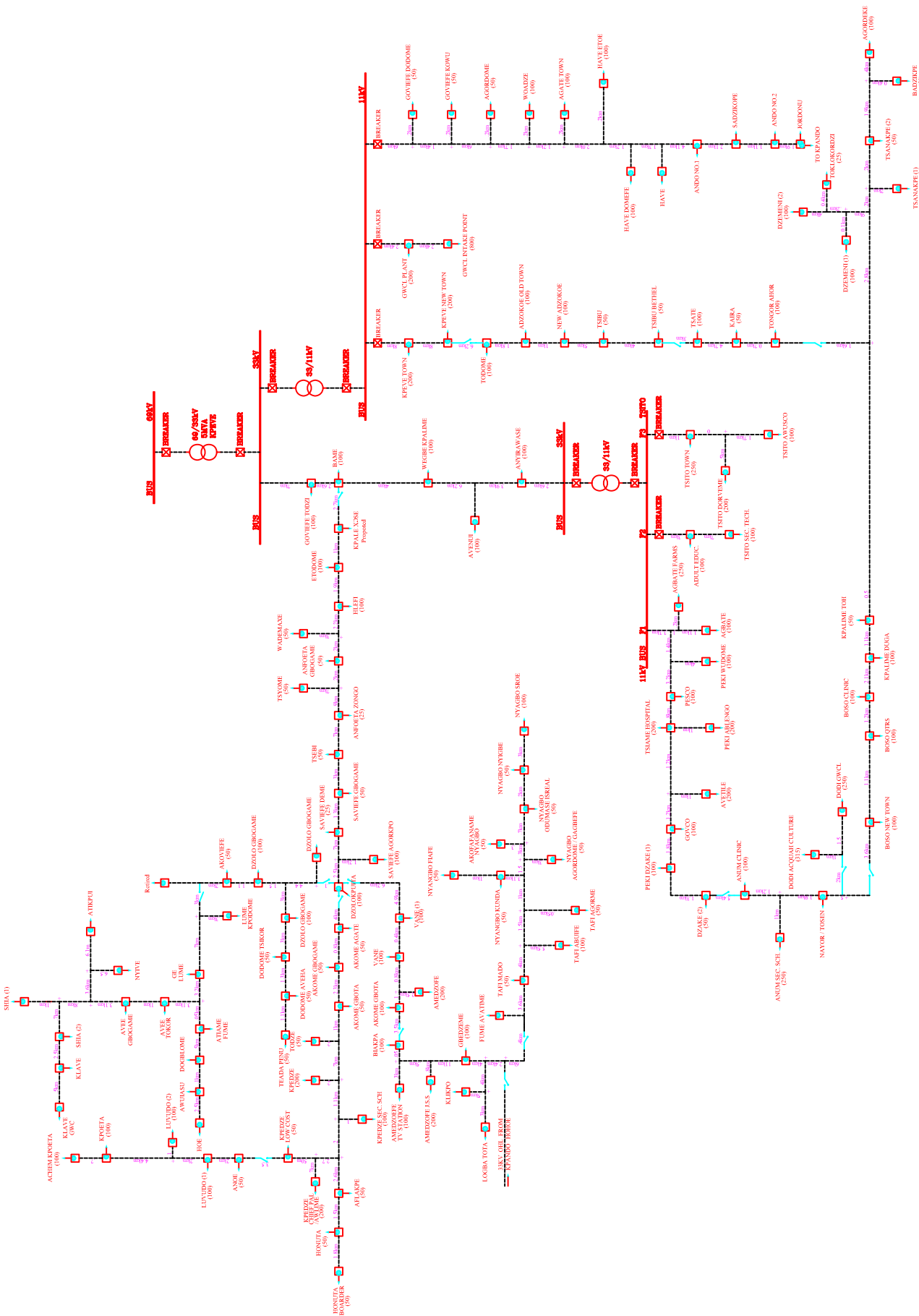












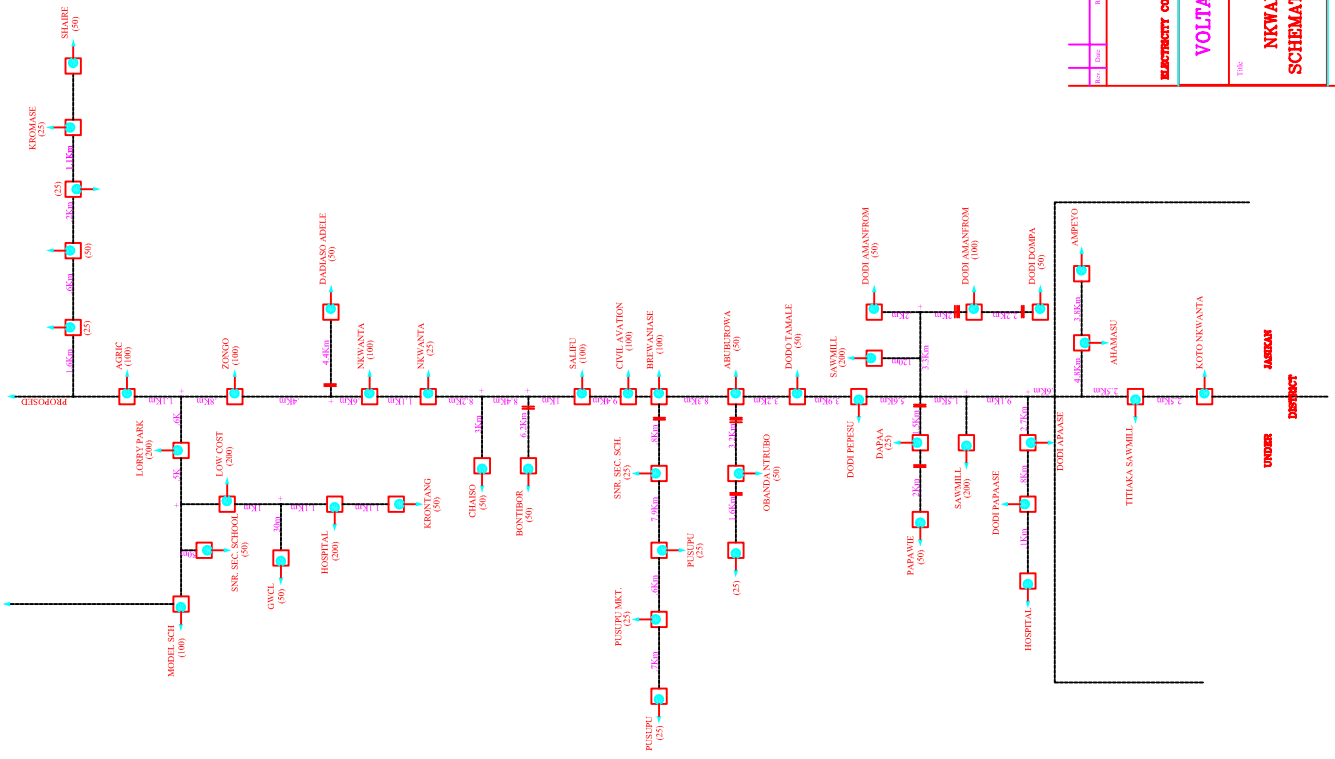
**ELECTRICITY COMPANY OF GHANA LTD**

**VOLTA-REGION**

**KPEVE 33/11kV SCHEMATIC DIAGRAM**

Scale:	Not to Scale	Designed:	J.A. Dabire
Drawn:	Emmanuel Okwah A.	Checked:	Dim Akpanah-Lah
Date:	June 2006	Approved:	Dim Akpanah-Lah
Drawing No.:		Rev.:	

Rev.:	Date:	Revision:	Drawn:	Checked:
-------	-------	-----------	--------	----------



Rev.	Date	Revised	Drawn	Checked

**ELECTRICITY COMPANY OF GHANA LTD**

**VOLTA-REGION**

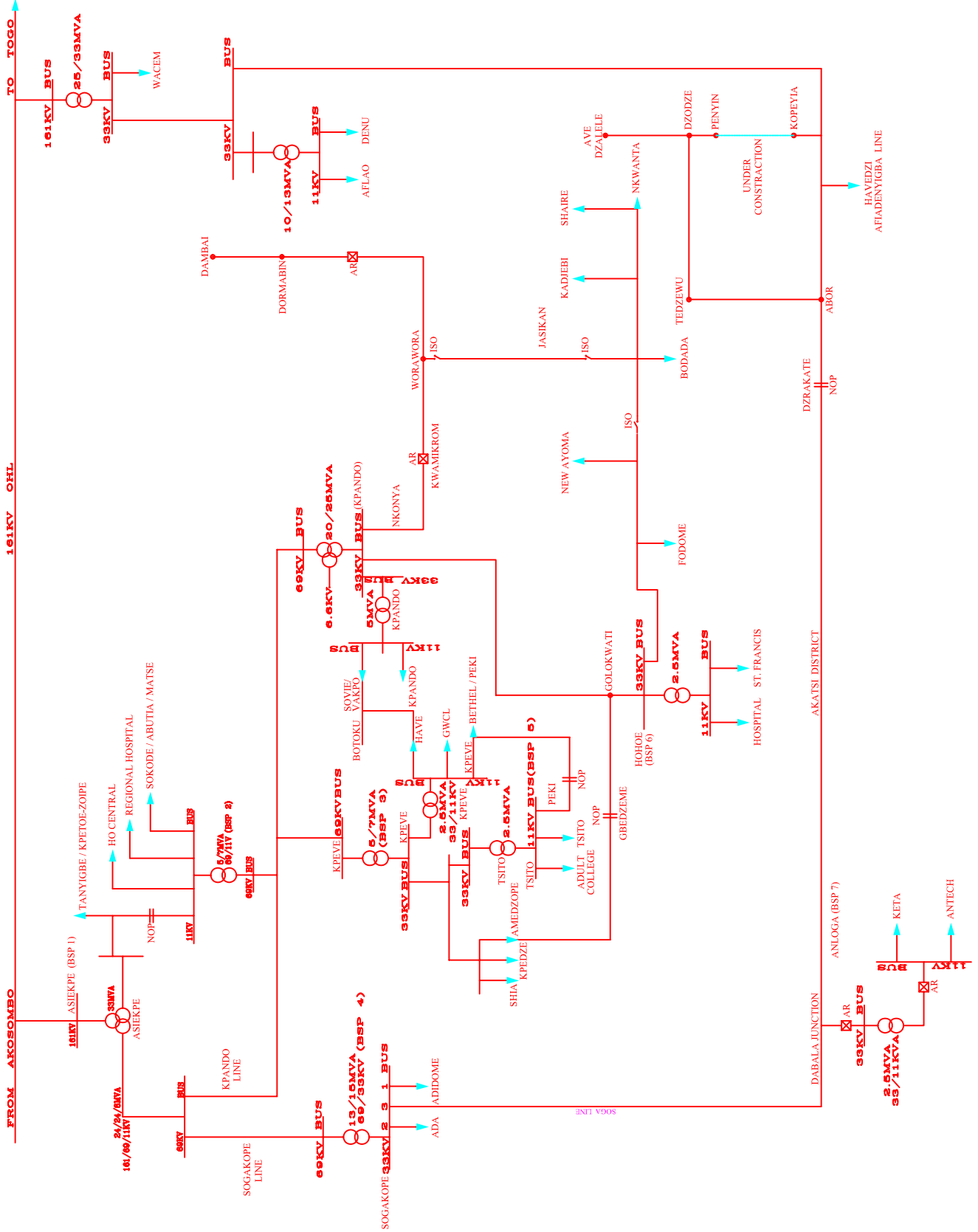
**NKWANTA 33KV**  
**SCHEMATIC DIAGRAM**

Title

Scale	Not to Scale	Drawn by	Engr. A.
Drawn	Engr. Emmanuel Owusu A.	Checked	
Date	June 2016	Approved	
Drawing No.			







Rev.	Date	Revision	Drawn	Checked



**ELECTRICITY COMPANY OF GHANA LTD**

**VOLTA - REGION**

Title

**VOLTA REGION**

**SUBTRANSMISSION NETWORK**

**DIAGRAM 69/33/11KV**

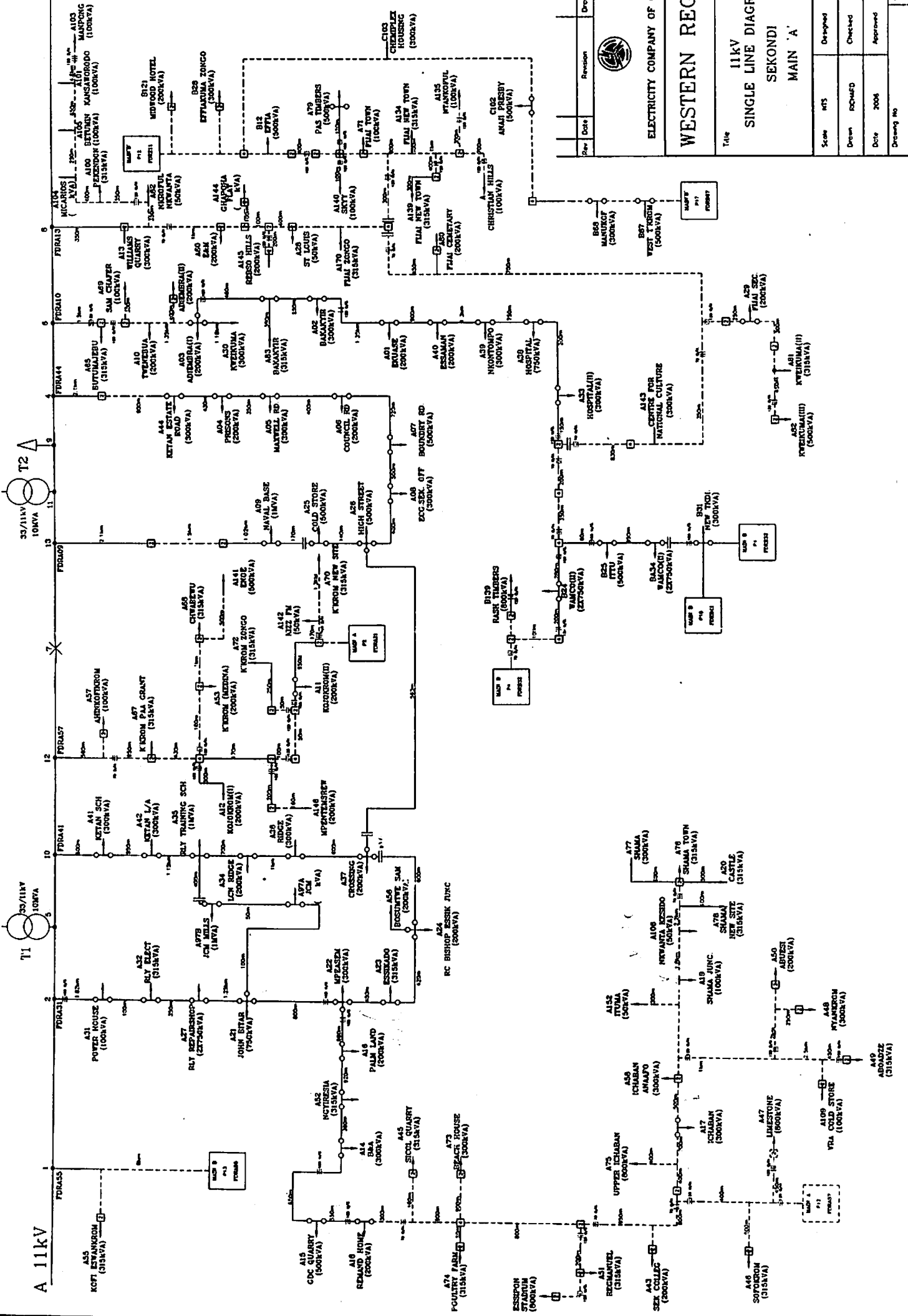
Scale:	Not to Scale	Designed:	C.A.K. Akwete
Drawn:	Emmanuel Okwabi A.	Checked:	Dan Kwame Adah
Date:	8 June 2006	Approval:	
Drawing No.:		Rev.:	

Single Line Diagram


Western

A 11kV

A



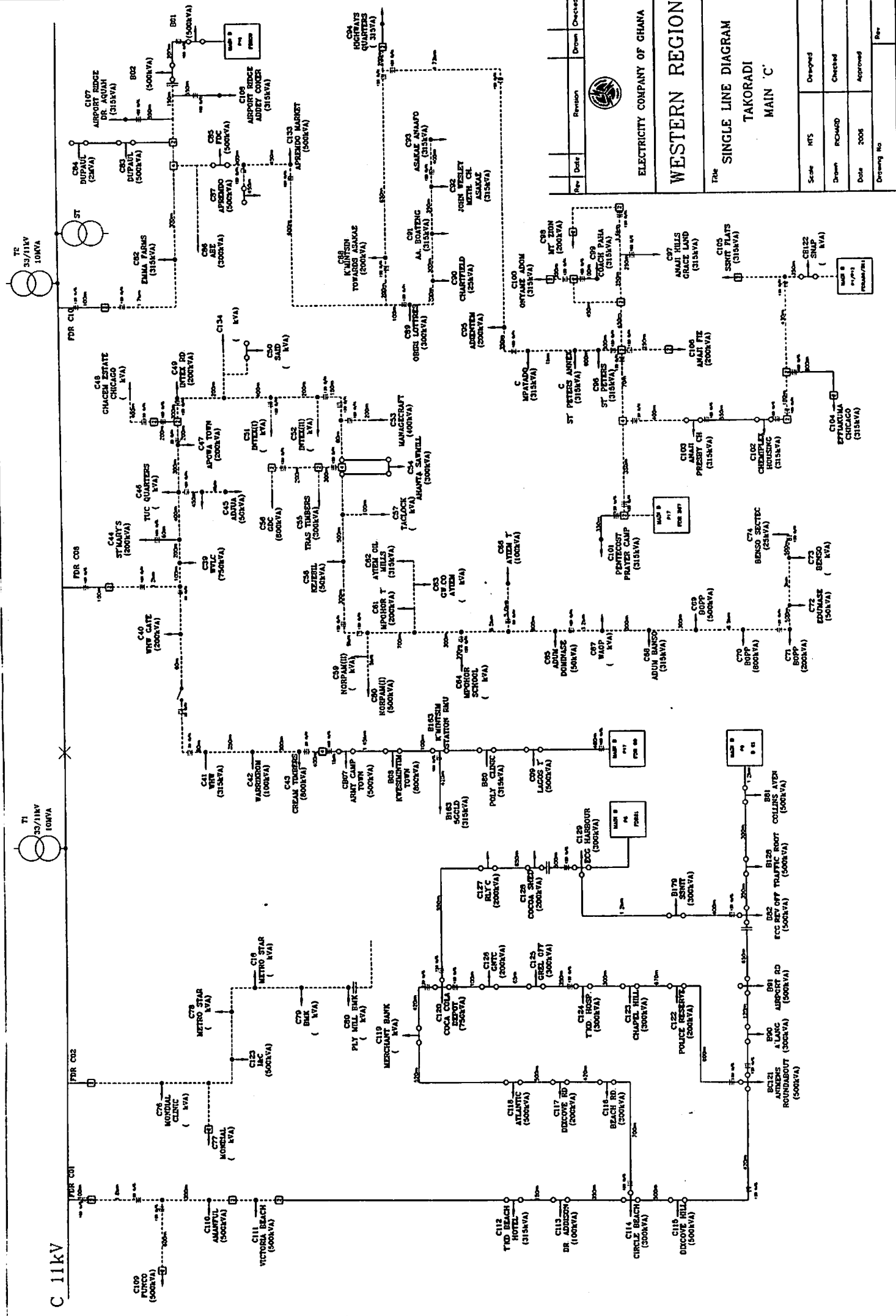
Rev	Date	Revision	Drawn	Checked

  
**ELECTRICITY COMPANY OF GHANA**  
**WESTERN REGION**

**11kV**  
**SINGLE LINE DIAGRAM**  
**SEKONDI**  
**MAIN 'A'**

Scale	M/S	Designed
Drawn	ROBERT	Checked
Date	2006	Approved
Drawings No		Rev





Rev.	Date	Revision	Drawn	Checked



ELECTRICITY COMPANY OF GHANA

# WESTERN REGION

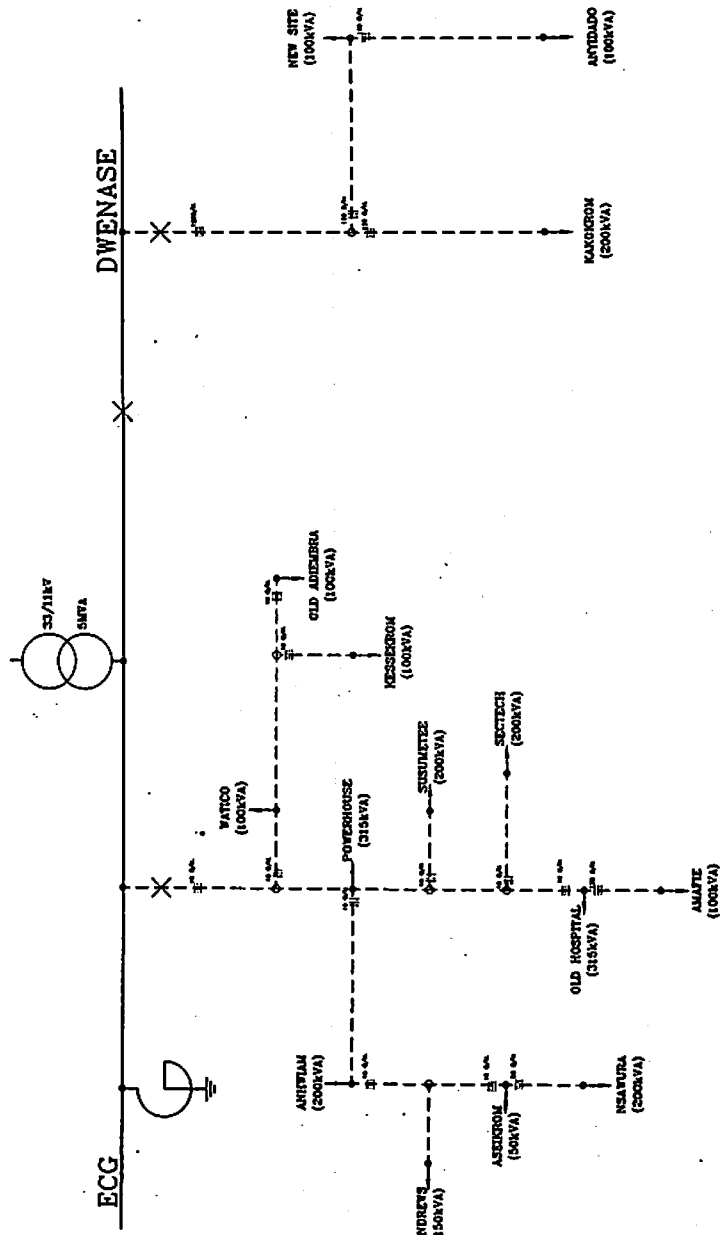
## SINGLE LINE DIAGRAM TAKORADI MAIN 'C'

Scale	NTS	Drawn	Checked	Date	Approved	Drawing No.	Rev.






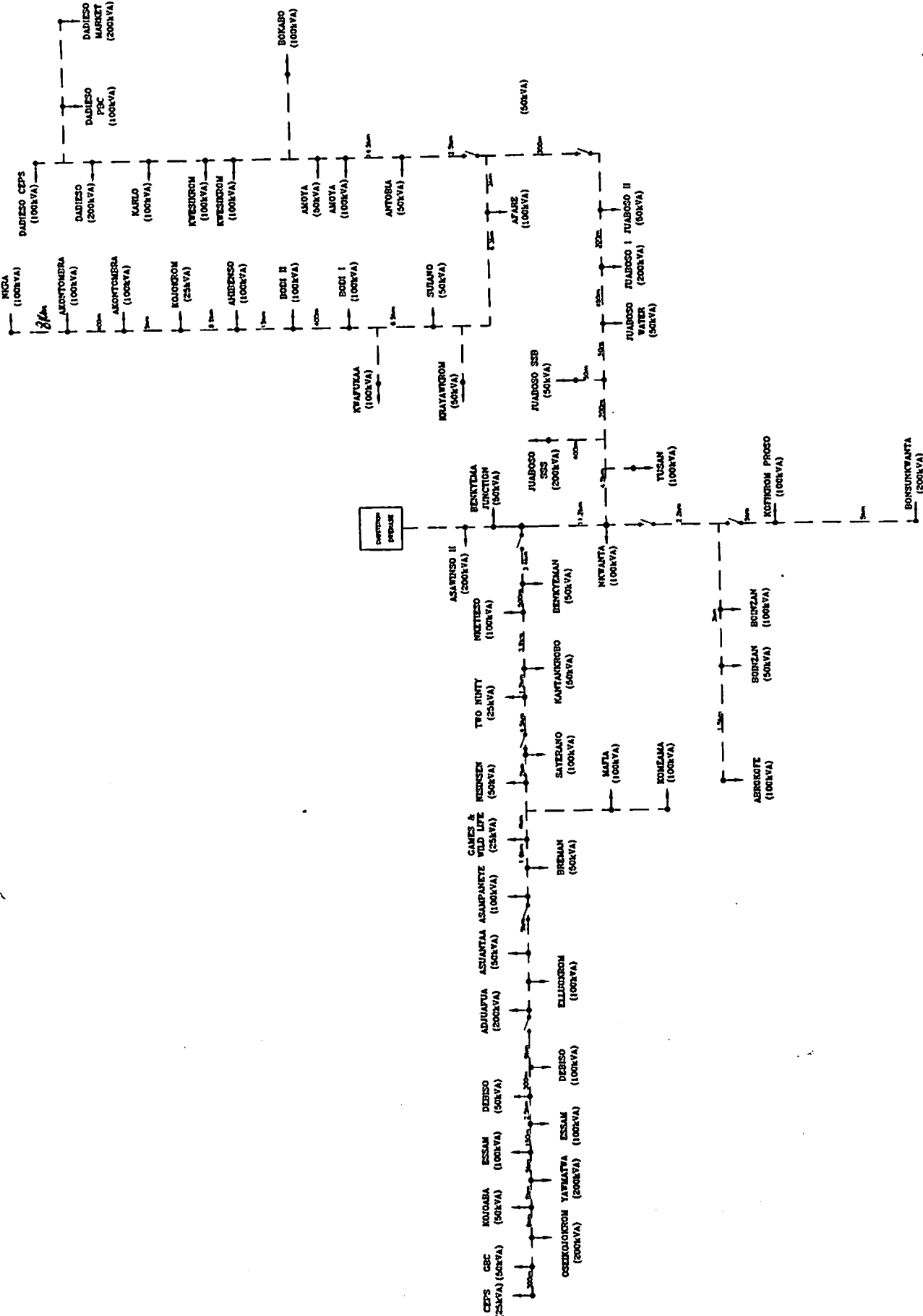




Rev.	Date	Revision	Drawn	Checked

 ELECTRICITY COMPANY OF GHANA		
<b>WESTERN REGION</b>		
Title <b>SINGLE LINE DIAGRAM</b> <b>11KV</b> <b>SEFWI WIAMSO</b>		
Scale	ITS	Designed
Drawn	RICHARD	Checked
Date	2005	Approved
Drawing No.		Rev.



Rev	Date	Revision	Drawn	Checked



ELECTRICITY COMPANY OF GHANA  
WESTERN REGION

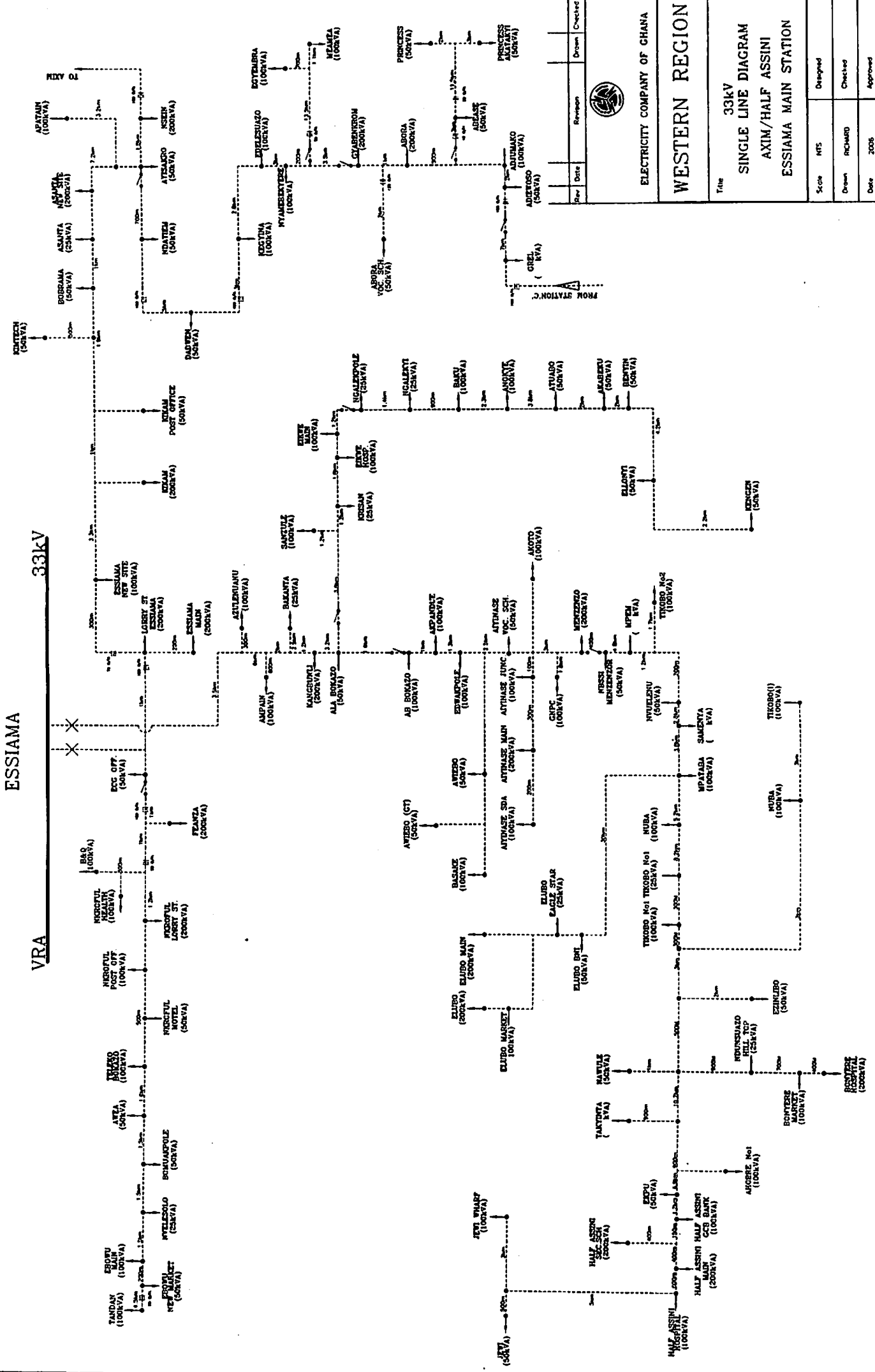
Title  
SINGLE LINE DIAGRAM  
33kV  
JUABOSO BIA

Scale	NTS	Designed
Drawn	RICHARD	Checked
Date	2006	Approved
Drawing No.		

ESSIAMA

33kV

VRA



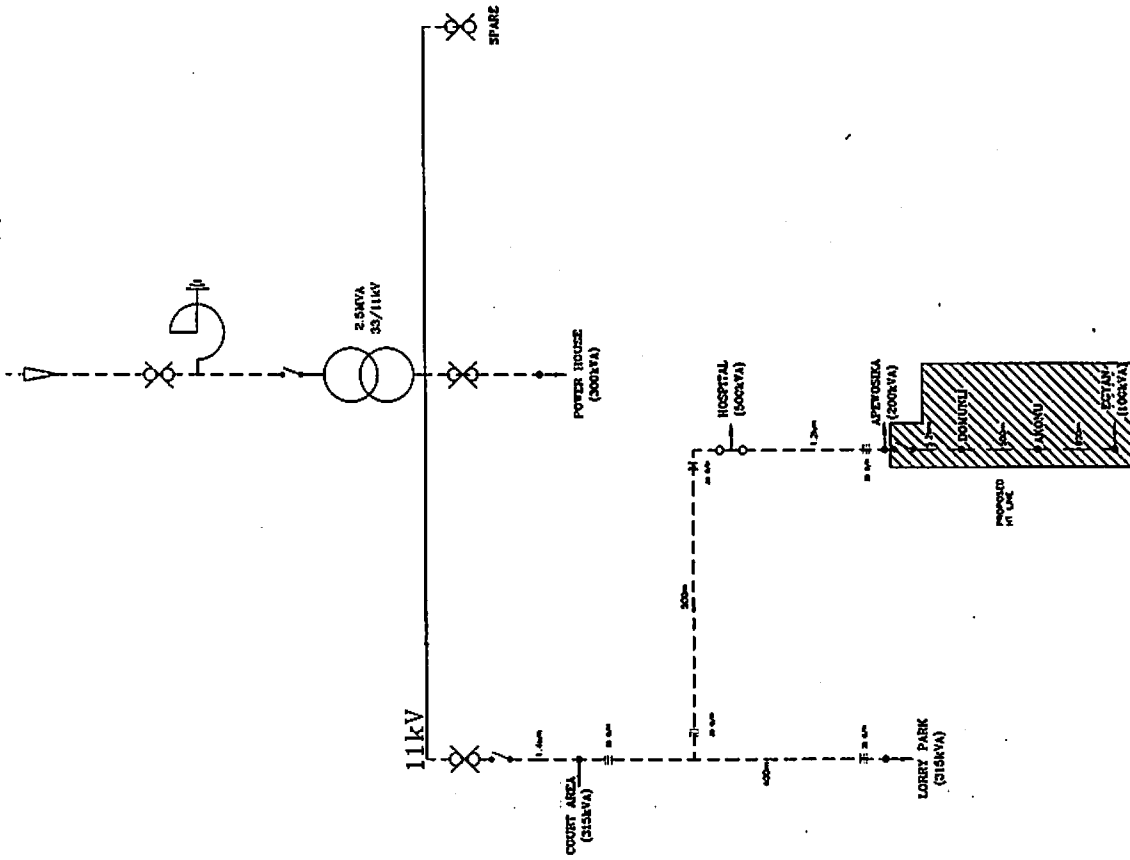
Rev	Date	Description	Drawn	Checked

**ELECTRICITY COMPANY OF GHANA**

**WESTERN REGION**

Title: **33kV SINGLE LINE DIAGRAM AXIM/HALF ASSINI ESSIAMA MAIN STATION**

Scale	M/S	Designed
Drawn	RICHARD	Checked
Date	2006	Approved
Drawing No		Rev



Rev	Date	Revision	Drawn	Checked

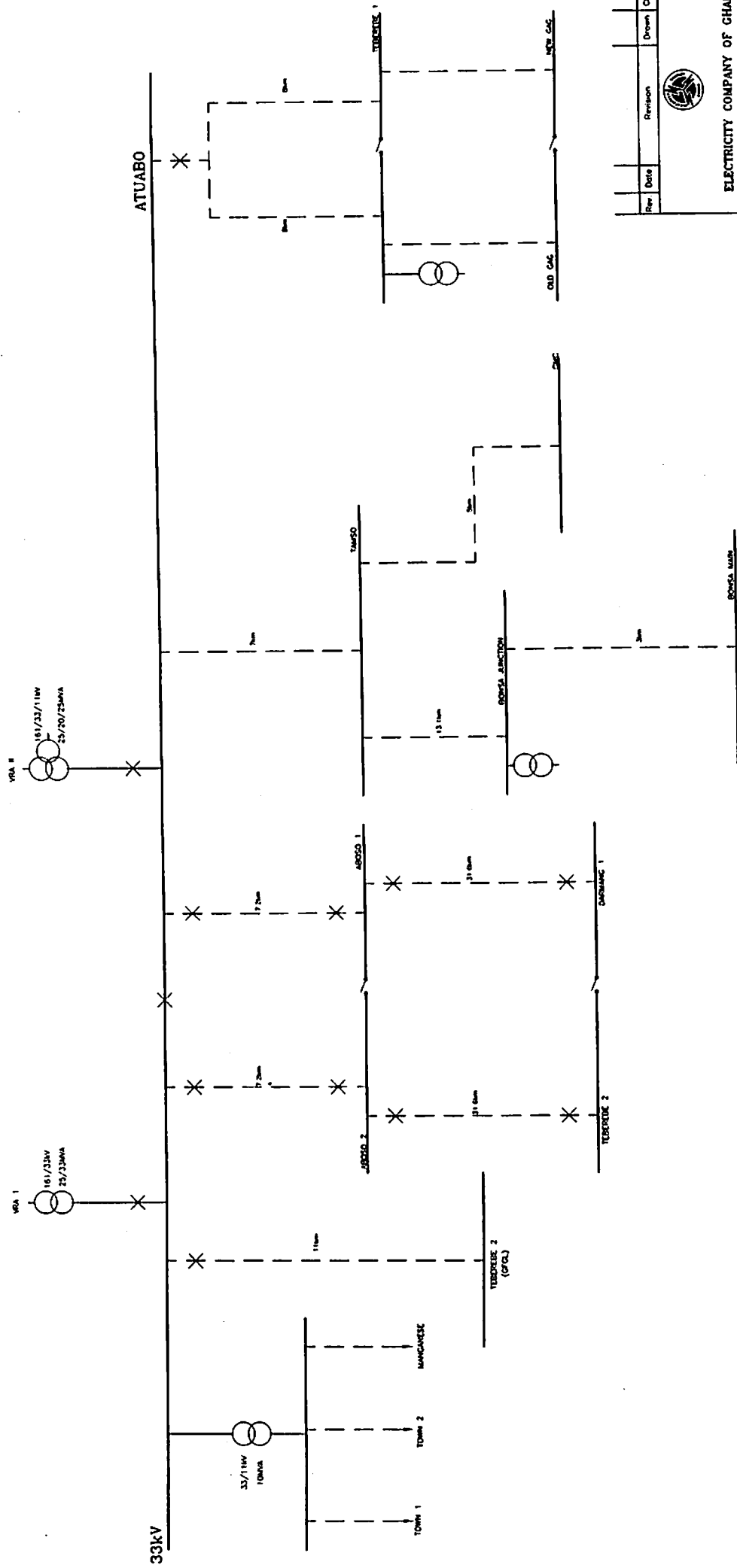


ELECTRICITY COMPANY OF GHANA


WESTERN REGION

Title  
 SINGLE LINE DIAGRAM  
 11kV  
 AXIM TOWN

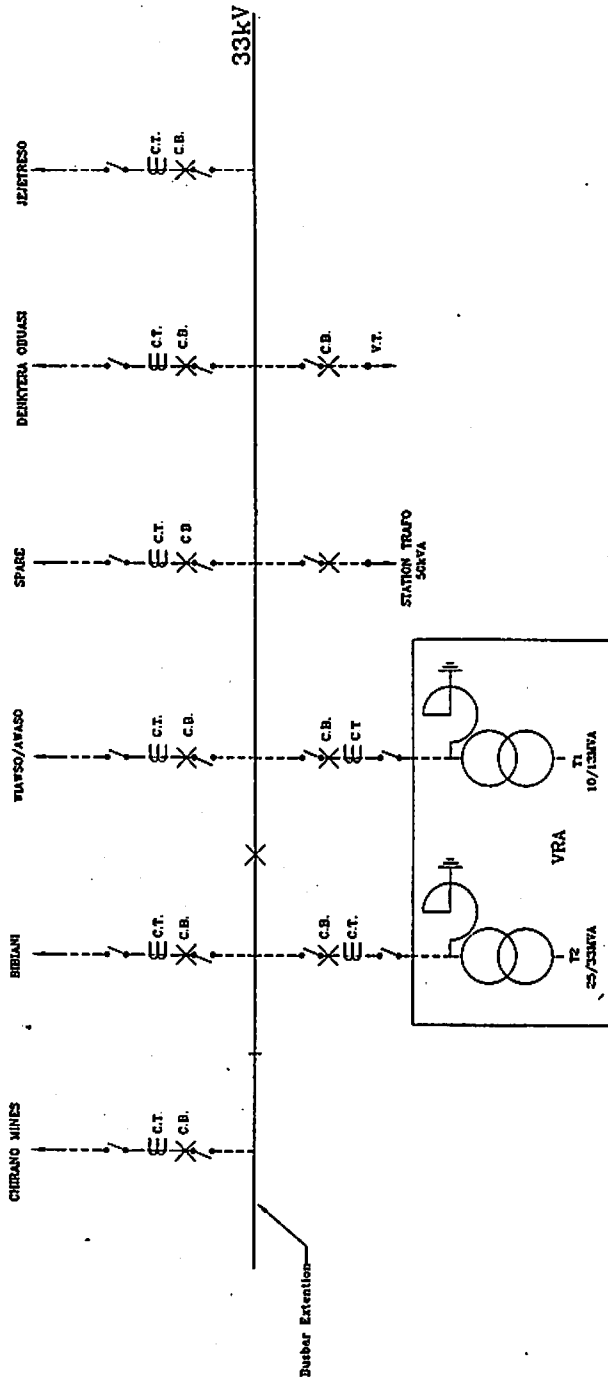
Scale	N/S	Designed
Drawn	PC/ARD	Checked
Date	2006	Approved
Drawing No.	Rev.	



Rev.	Date	Revision	Drawn	Checked

  
**ELECTRICITY COMPANY OF GHANA**  
**WESTERN REGION**

Title		33kV	
SINGLE LINE DIAGRAM			
ATUABO TARKWA			
MAIN STATION			
(LAWRENCE BSP ARRANGEMENT)			
Scale	NTS	Designed	
Drawn	R.T. ANONOR	Checked	
Date	2006	Approved	
Drawing No			
			Per



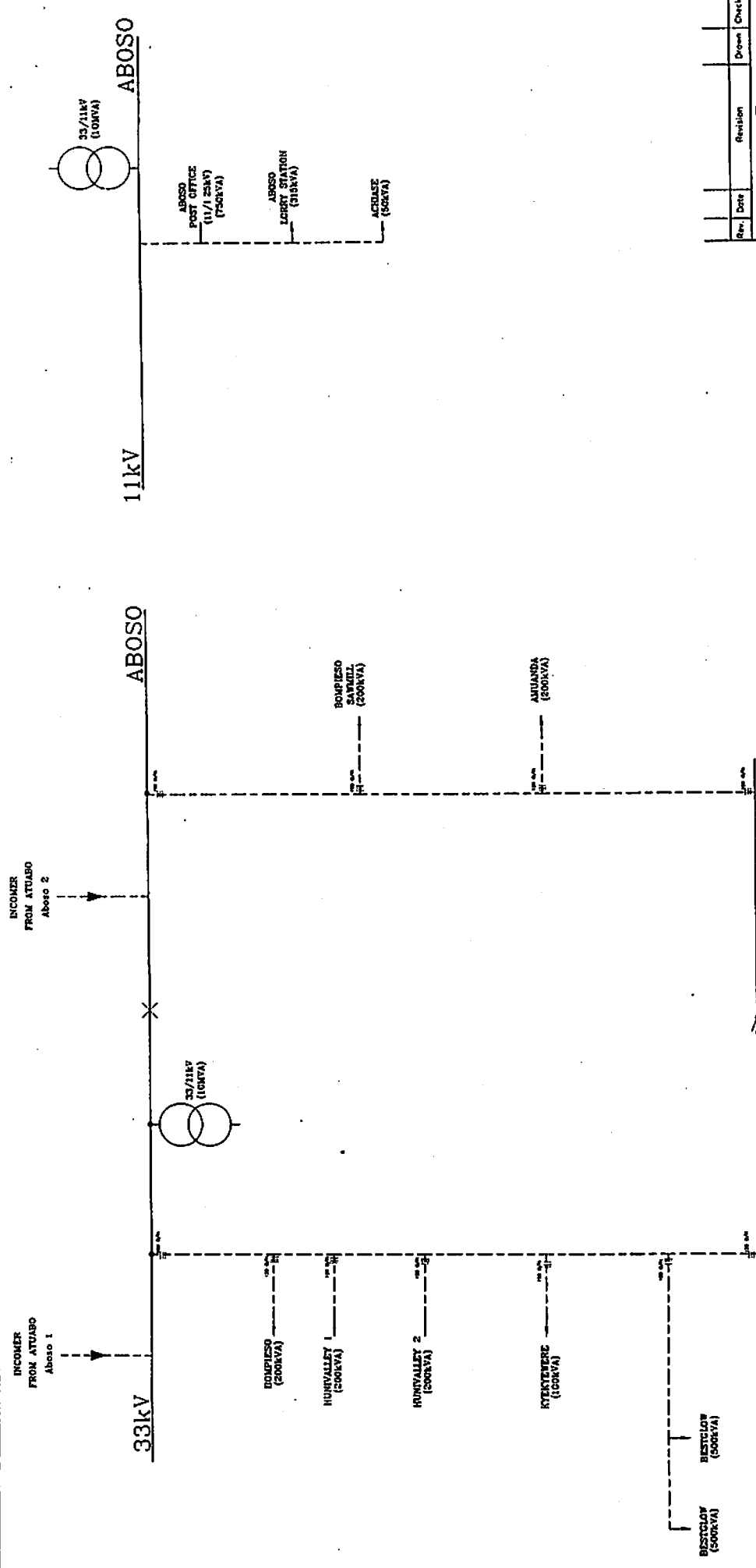
Rev.	Date	Revision	Drawn	Checked




ELECTRICITY COMPANY OF GHANA  
WESTERN REGION

Title  
161/33kV  
SINGLE LINE DIAGRAM  
SEFWI  
ASAWINSO 'A'

Scale	MIS	Designed
Drawn	Checked	
Date	2006	Approved
Drawing No.		Rev



Rev.	Date	Revision	Drawn	Checked

  
**ELECTRICITY COMPANY OF GHANA**  
**WESTERN REGION**  
 Title  
**33/11kV**  
**SINGLE LINE DIAGRAM**  
**ABOSO**  
**TARKWA**

Scale	M/S	Designed

Drawn	Checked

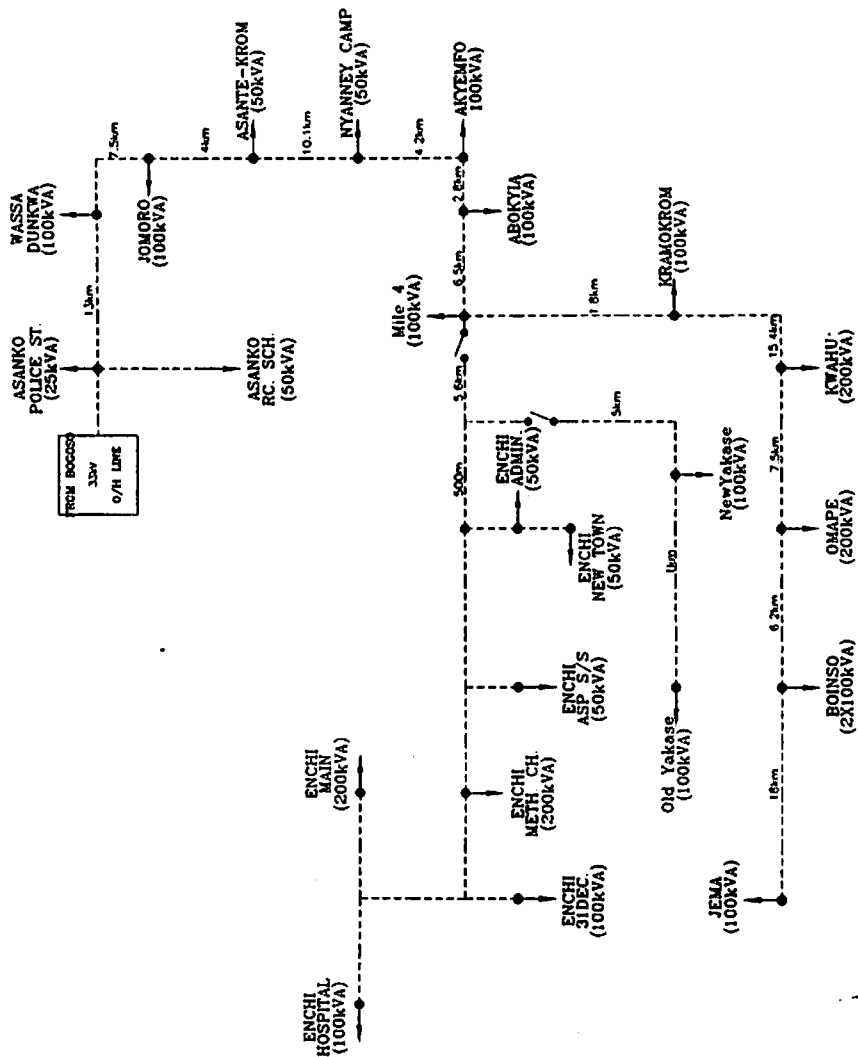
Date	Approved
2006	

Drawing No.	Rev.









Rev	Date	Revision	Drawn	Checked

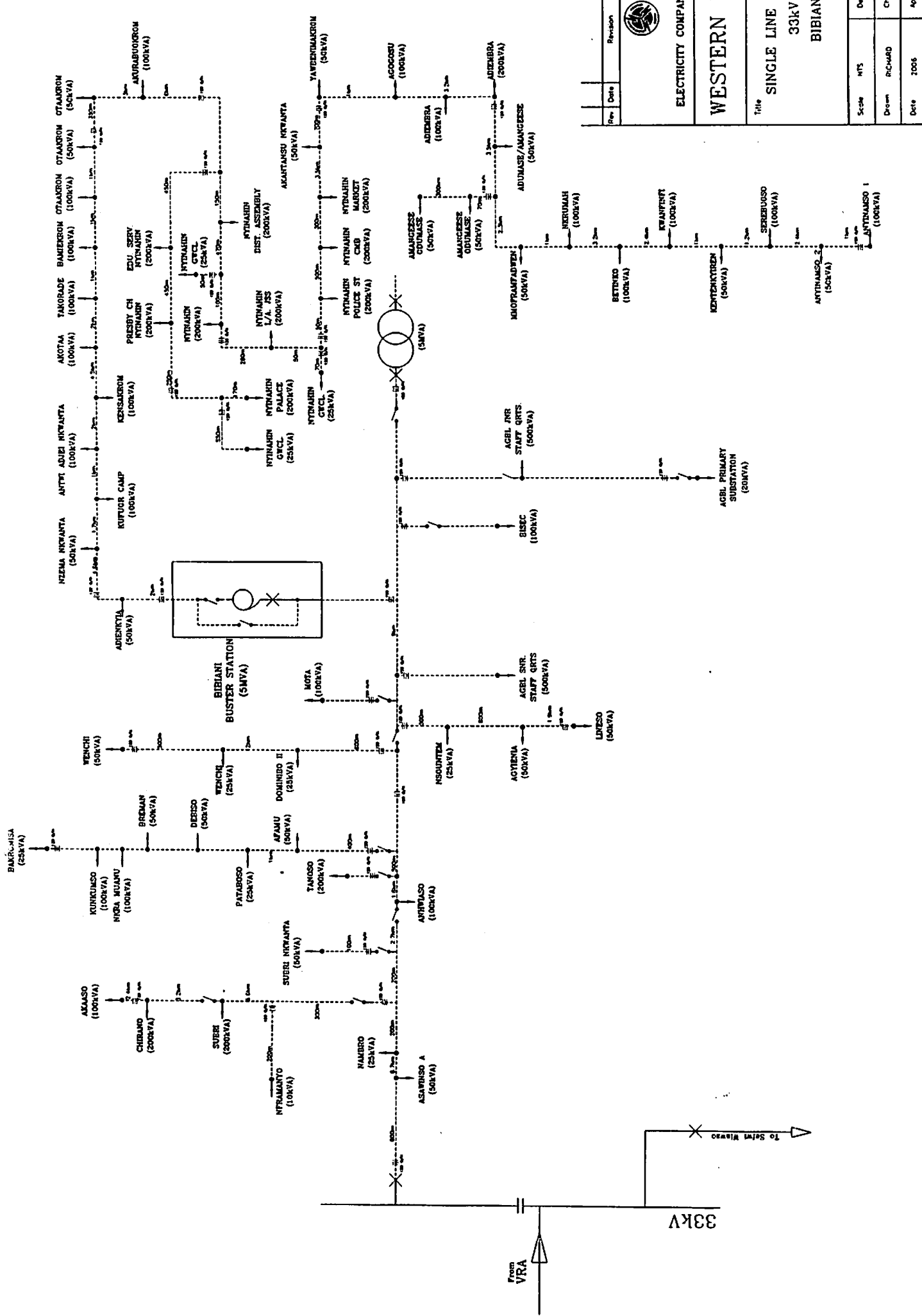


ELECTRICITY COMPANY OF GHANA

# WESTERN REGION

Title  
33kV  
SINGLE LINE DIAGRAM  
ENCHI

Scale	M/S	Designed
Drawn	P.O.M.P.O.	Checked
Date	2006	Approved
Drawing No	Rev.	



Rev.	Date	Revision	Drawn	Checked



ELECTRICITY COMPANY OF GHANA

# WESTERN REGION

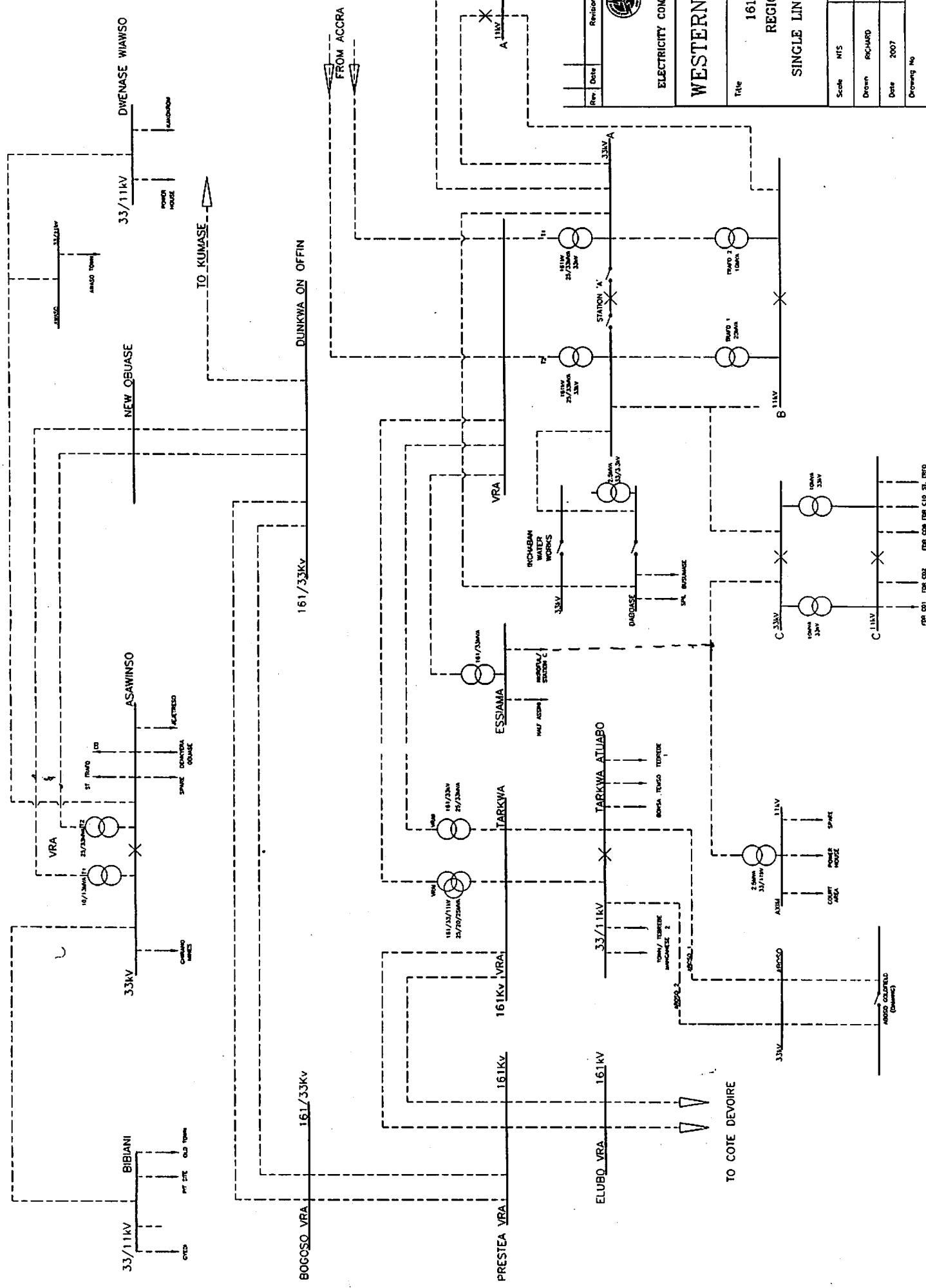
Title  
**33kV  
 BIBIANI**

Scale	HTS	Designed
Drawn	RC-MAD	Checked
Date	2006	Approved
Drawing No.		Rev.

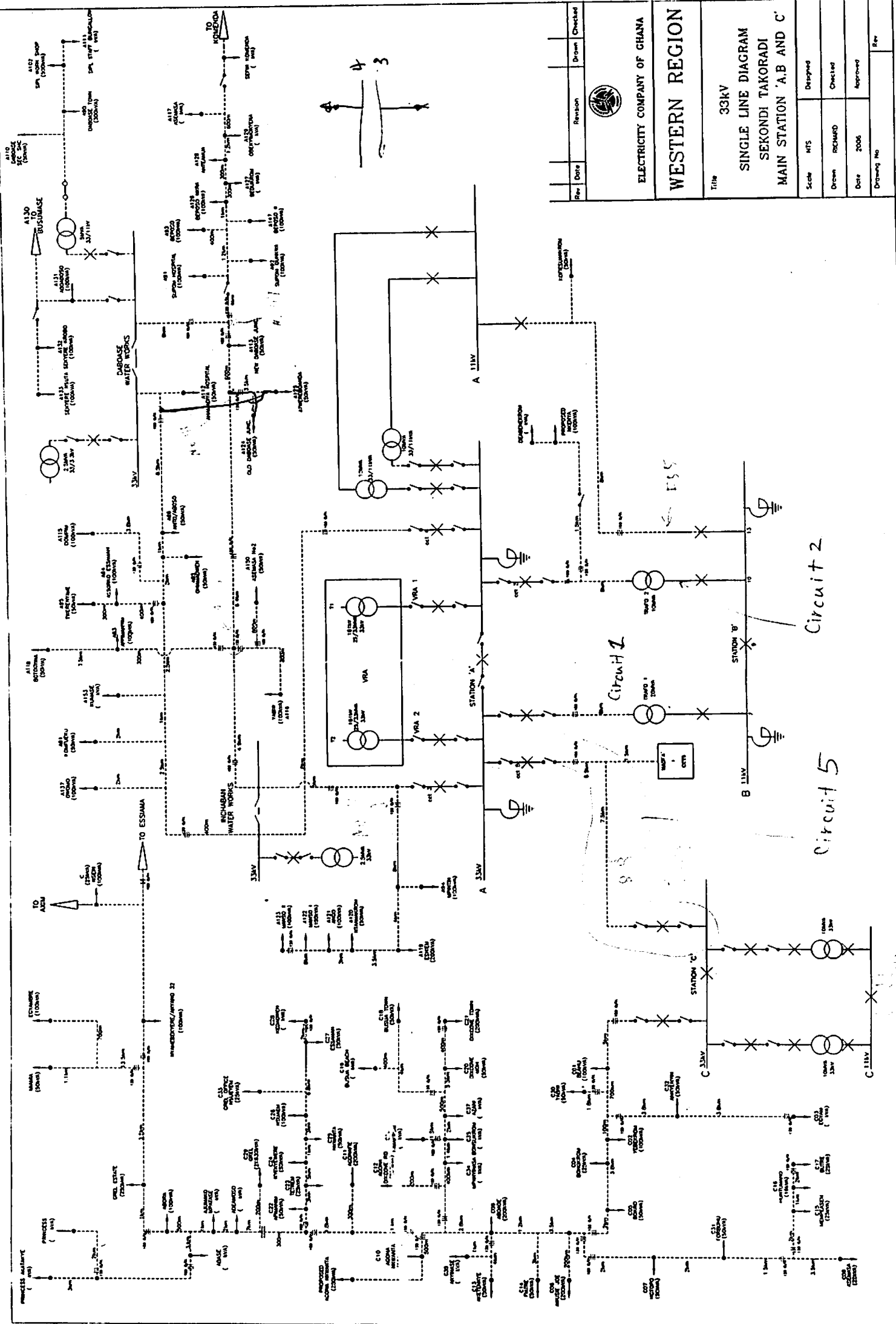
33kV

From  
 VRA


To Selimi Wamawo



Rev	Date	Revision	Drawn	Checked	 <b>ELECTRICITY COMPANY OF GHANA</b> <b>WESTERN REGION</b>
<b>161kV REGIONAL SINGLE LINE DIAGRAM</b>					
Title					
Scale: NTS Drawn: RICHARD Date: 2007 Drawing No:					
					Occupied Checked Approved Rev



Rev	Date	Revision	Drawn	Checked

  
**ELECTRICITY COMPANY OF GHANA**  
**WESTERN REGION**

Title: **33kV SINGLE LINE DIAGRAM SEKONDI TAKORADI MAIN STATION 'A, B AND C'**

Scale	HTS	Designed

Drawn	Checked

Date	Approved

Drawing No	Rev