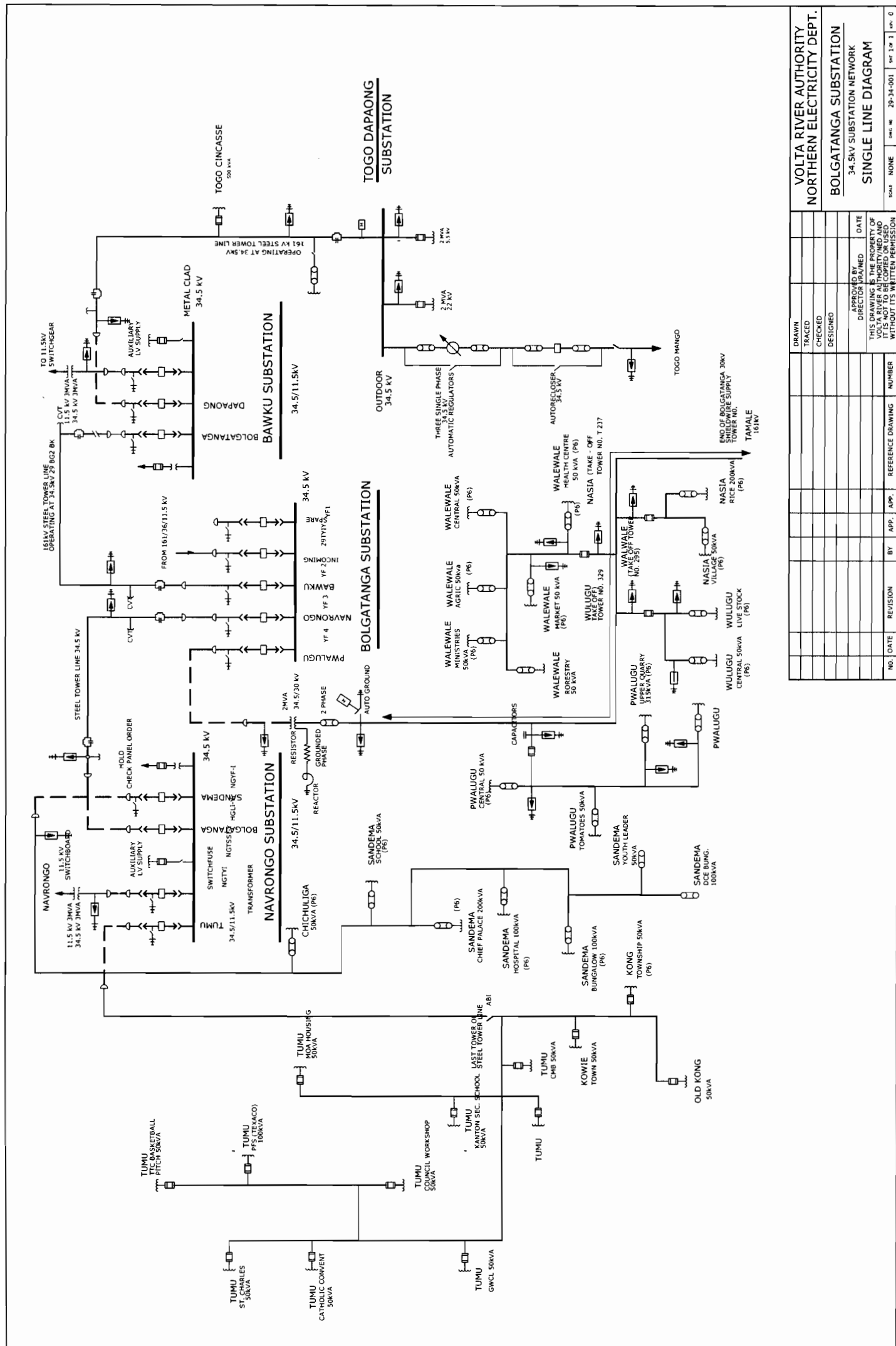


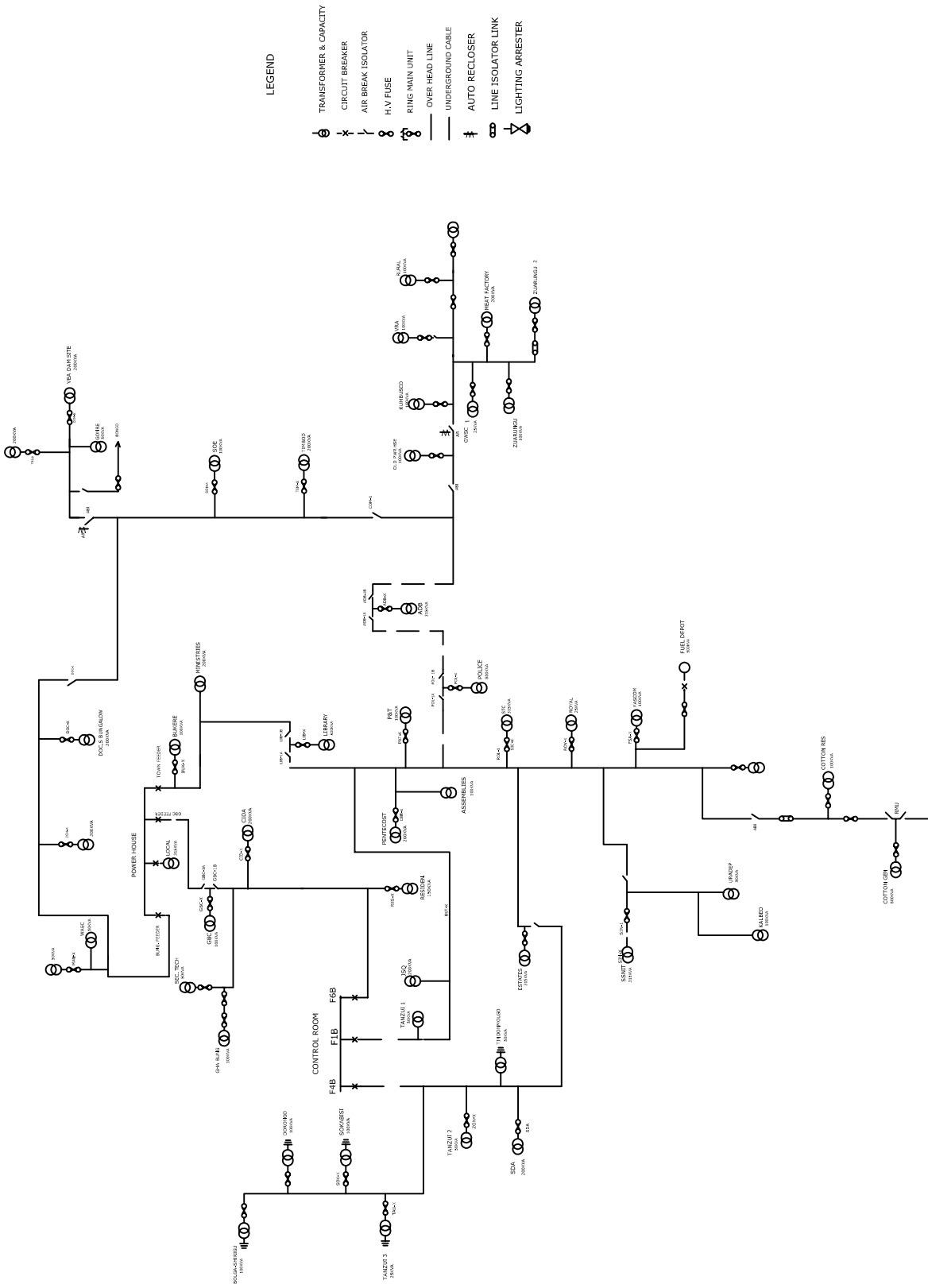
Single Line Diagram

Upper East



DRAWN		TRACE		CHECKED		DESIGNED	
APPROVED BY		DATE		THIS DRAWING IS THE PROPERTY OF VOLTA RIVER AUTHORITY. IT IS NOT TO BE REPRODUCED OR USED WITHOUT ITS WRITTEN PERMISSION.			
NO.		DATE		REVISION		REFERENCE DRAWING	
BY		APP.		APP.		NUMBER	

VOLTA RIVER AUTHORITY NORTHERN ELECTRICITY DEPT.			
BOLGATANGA SUBSTATION 34.5KV SUBSTATION NETWORK SINGLE LINE DIAGRAM			
DRAWN		TRACE	
CHECKED		DESIGNED	
APPROVED BY		DATE	
THIS DRAWING IS THE PROPERTY OF VOLTA RIVER AUTHORITY. IT IS NOT TO BE REPRODUCED OR USED WITHOUT ITS WRITTEN PERMISSION.			
NO.		DATE	
REVISION		REFERENCE DRAWING	
BY		APP.	
APP.		NUMBER	

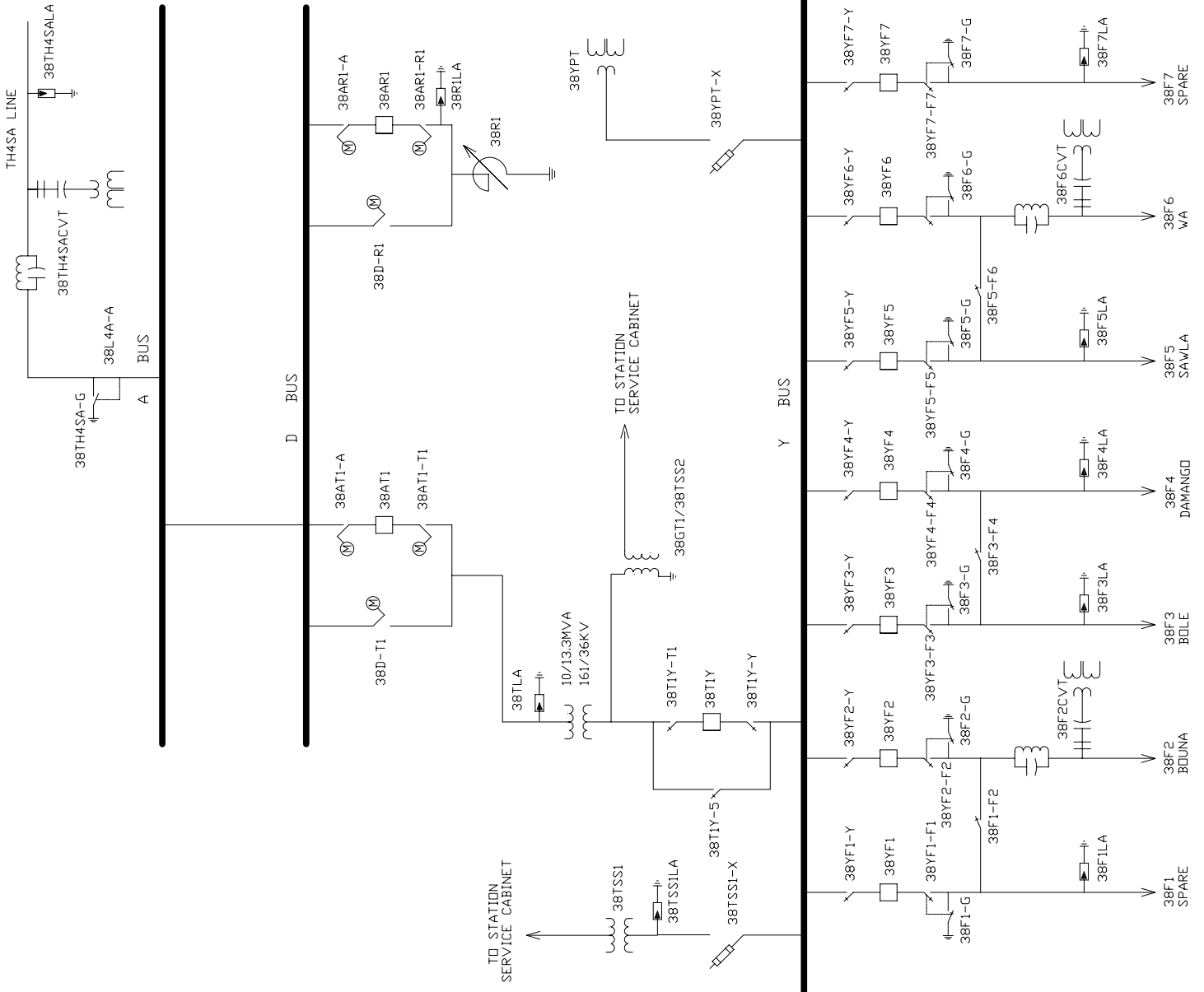


- LEGEND**
- TRANSFORMER & CAPACITY
 - ⊗ CIRCUIT BREAKER
 - ⊘ AIR BREAK ISOLATOR
 - H.V. FUSE
 - RING MAIN UNIT
 - OVER HEAD LINE
 - UNDERGROUND CABLE
 - ⊕ AUTO RECLOSER
 - ⊖ LINE ISOLATOR LINK
 - ⊗ LIGHTING ARRESTER

VOLTA RIVER AUTHORITY NORTHERN ELECTRICITY DEPT.	BOLGATANGA SINGLE LINE DIAGRAM 11KV NETWORK 1999
SCALE: NONE	DWG. NO.

Single Line Diagram

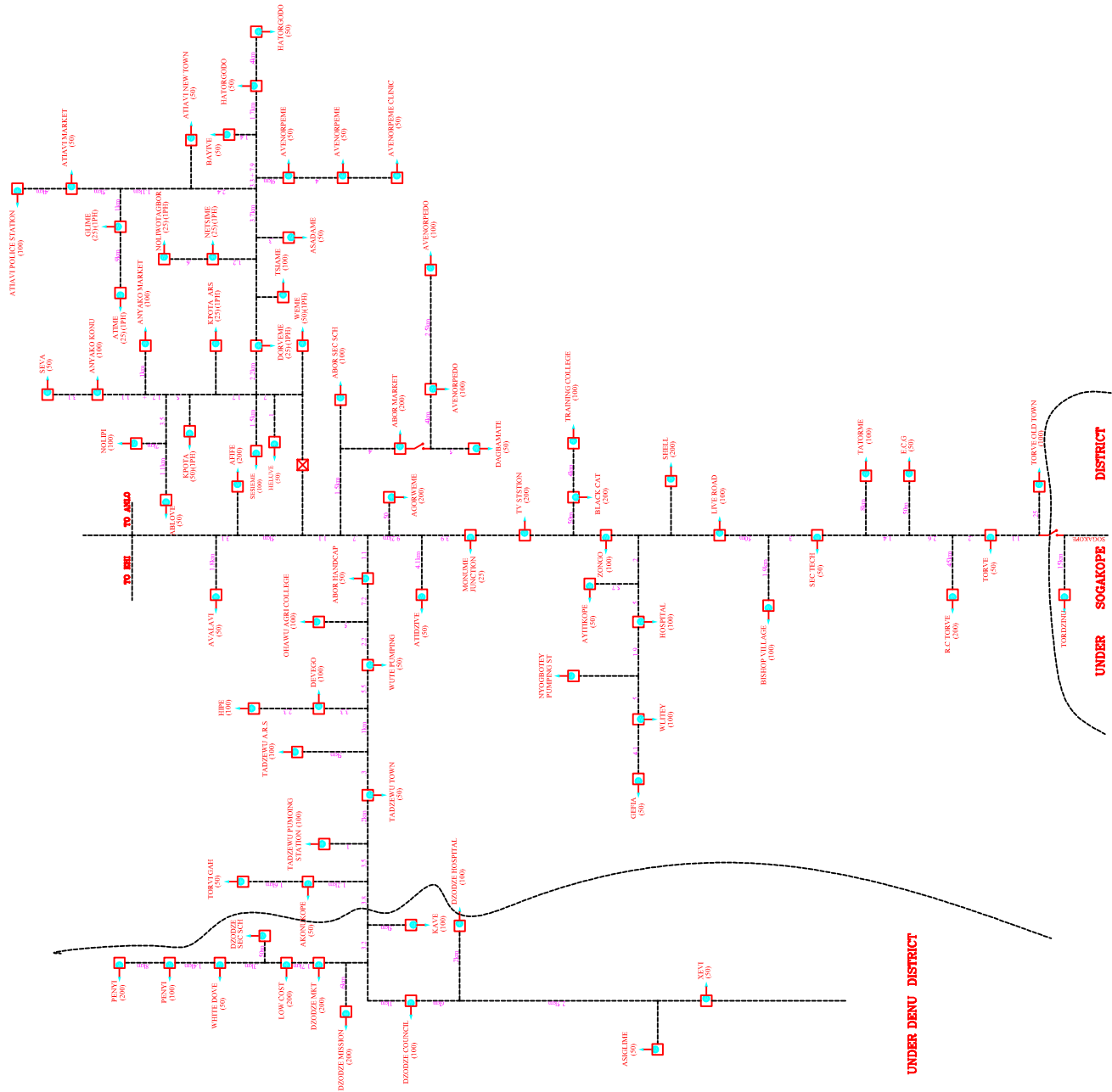
Upper West



Station Name SAWLA SUBSTATION (SA38)	
OPERATING DIAGRAM	ISSUED
DRAWN	CHECKED
INITIALS:	APPROVED
DATE:	

Single Line Diagram

Volta



Rev.	Date	Revision	Drawn	Checked



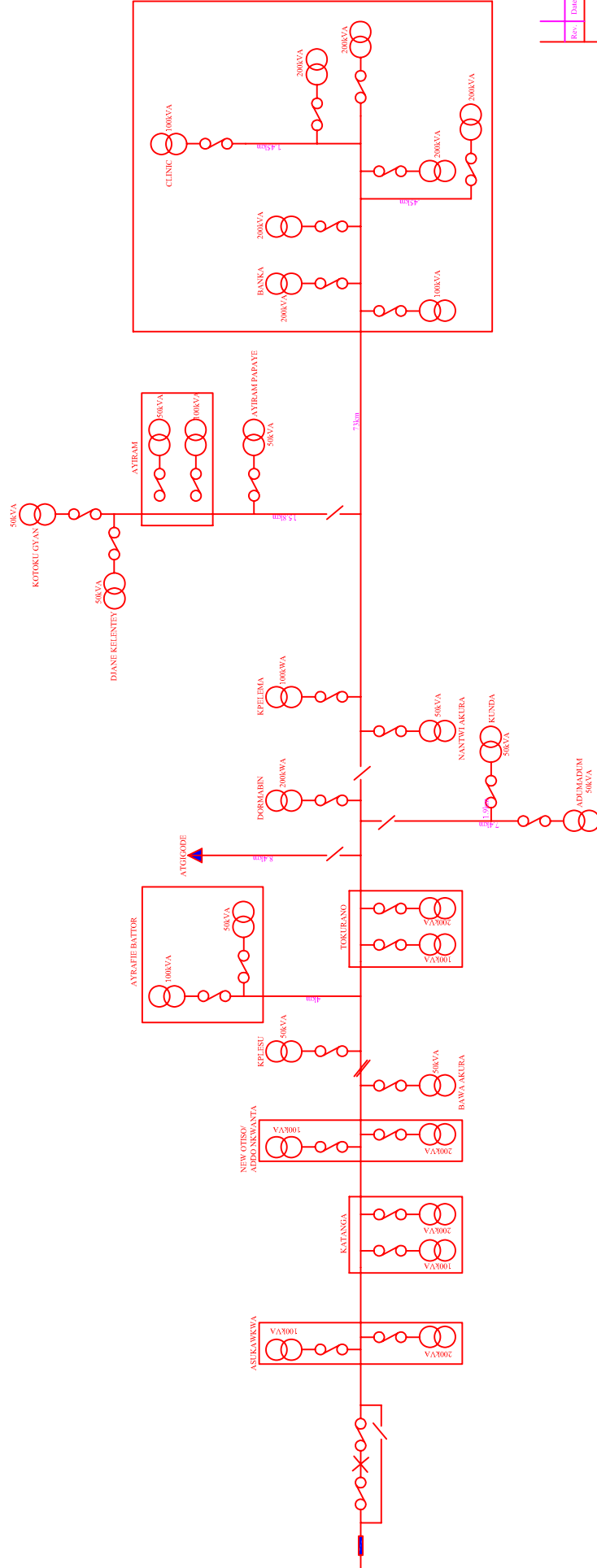
ELECTRICITY COMPANY OF GHANA LTD

VOLTA – REGION

**AKATSI 33kV
SCHEMATIC DIAGRAM**

Title

Scale	Not to Scale	Designed
Drawn	Emmanuel Okwah A.	Checked
Date	June 2006	Approved
Drawing No.		Rev.



Rev.	Date	Revision	Drawn	Checked



ELECTRICITY COMPANY OF GHANA LTD

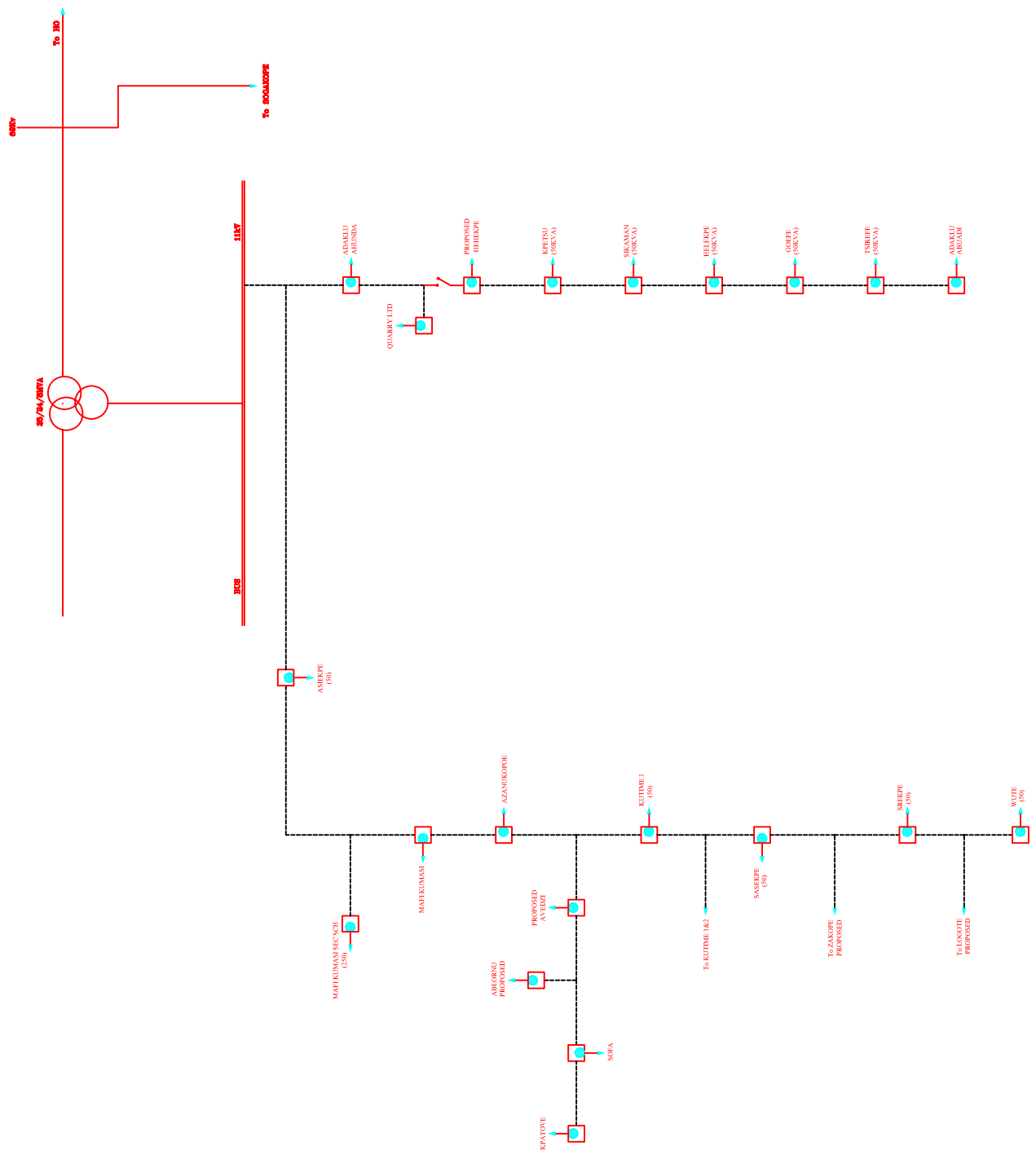
VOLTA-REGION

Title

AKPOSORKUBI-DAMBAL 33KV

SINGLE LINE DIAGRAM

Scale	Not to Scale	Designed	
Drawn	Emmanuel Okwabi A.	Checked	
Date	June 2006	Approved	
Drawing No.		Rev.	



Rev.	Date	Revision	Drawn	Checked

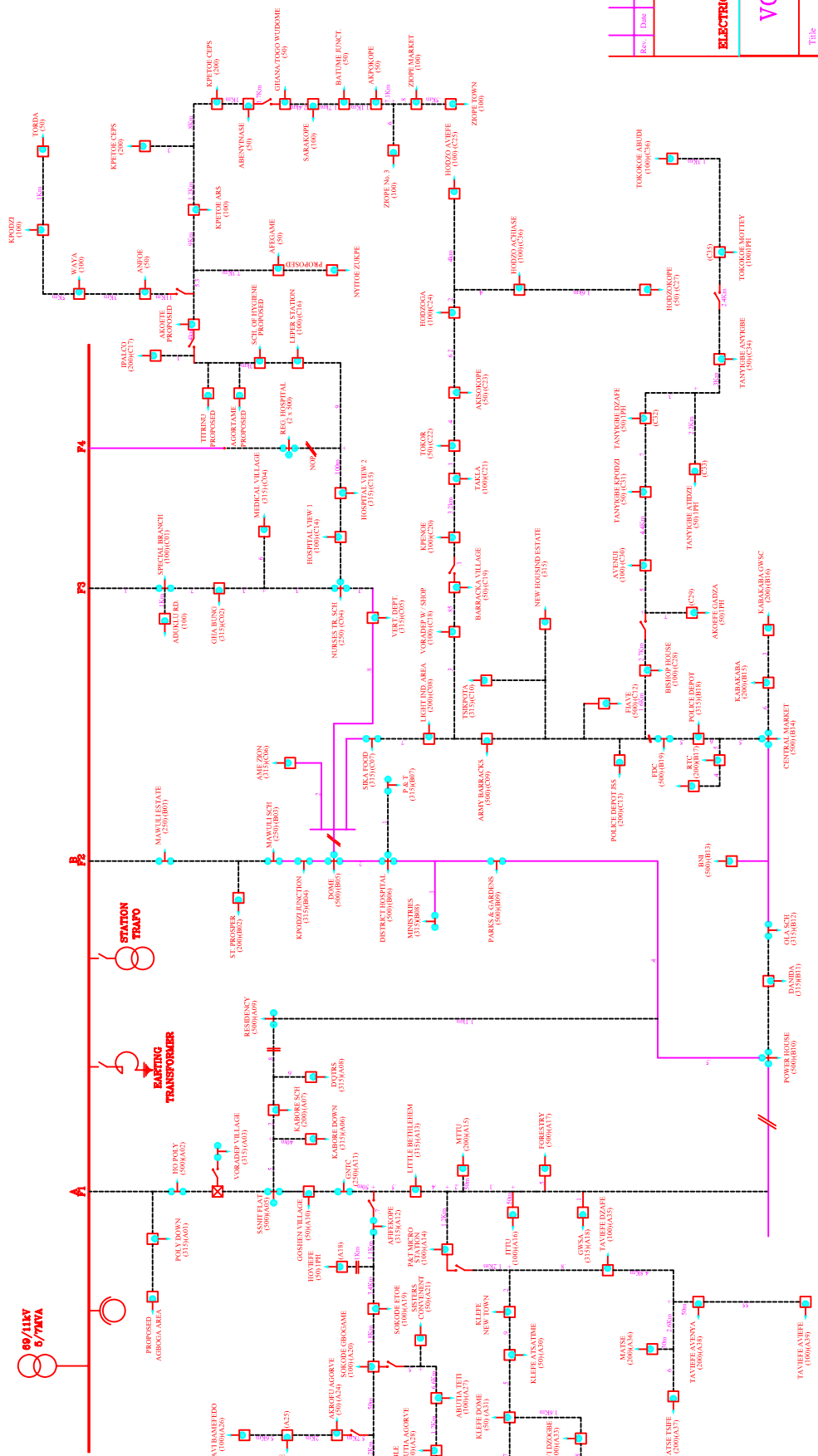
ELECTRICITY COMPANY OF GHANA LTD

VOLTA – REGION

ASIEKPE 11kV
SCHEMATIC DIAGRAM

Title

Scale: Not to Scale	Designed:
Drawn: Emmanuel Okwahi A.	Checked:
Date: June 2006	Approved:
Drawing No:	Rev.:



Rev.	Date	Revision	Drawn	Checked



ELECTRICITY COMPANY OF GHANA LTD

VOLTA-REGION

Title

HO 11kV SCHEMATIC DIAGRAM

Scale: Not to Scale	Designed:
Drawn: Emmanuel Okwiah A.	Checked:
Date: June 2006	Approved:
Drawing No:	Rev.:

Rev.	Date	Revision	Drawn	Checked



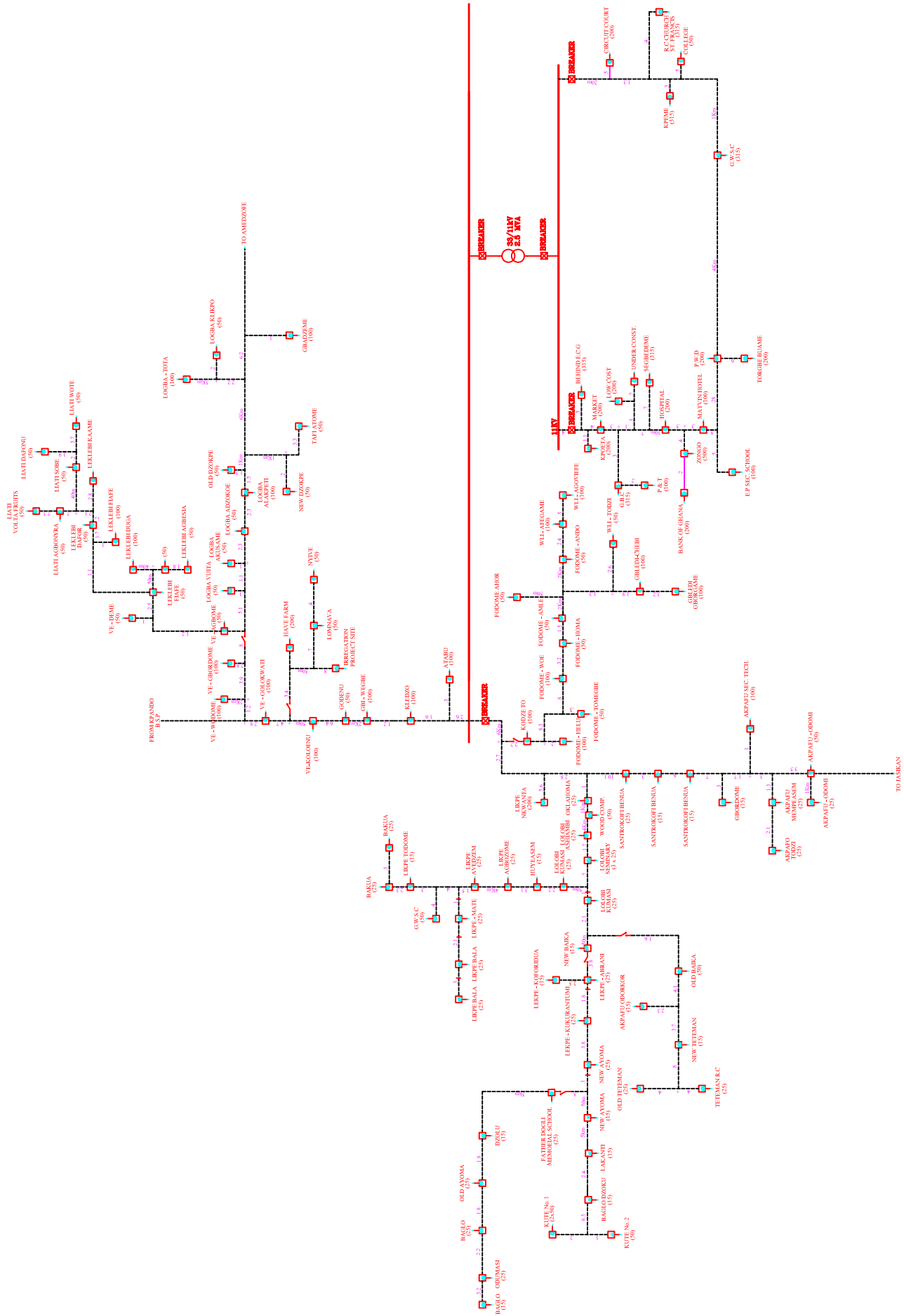
ELECTRICITY COMPANY OF GHANA LTD

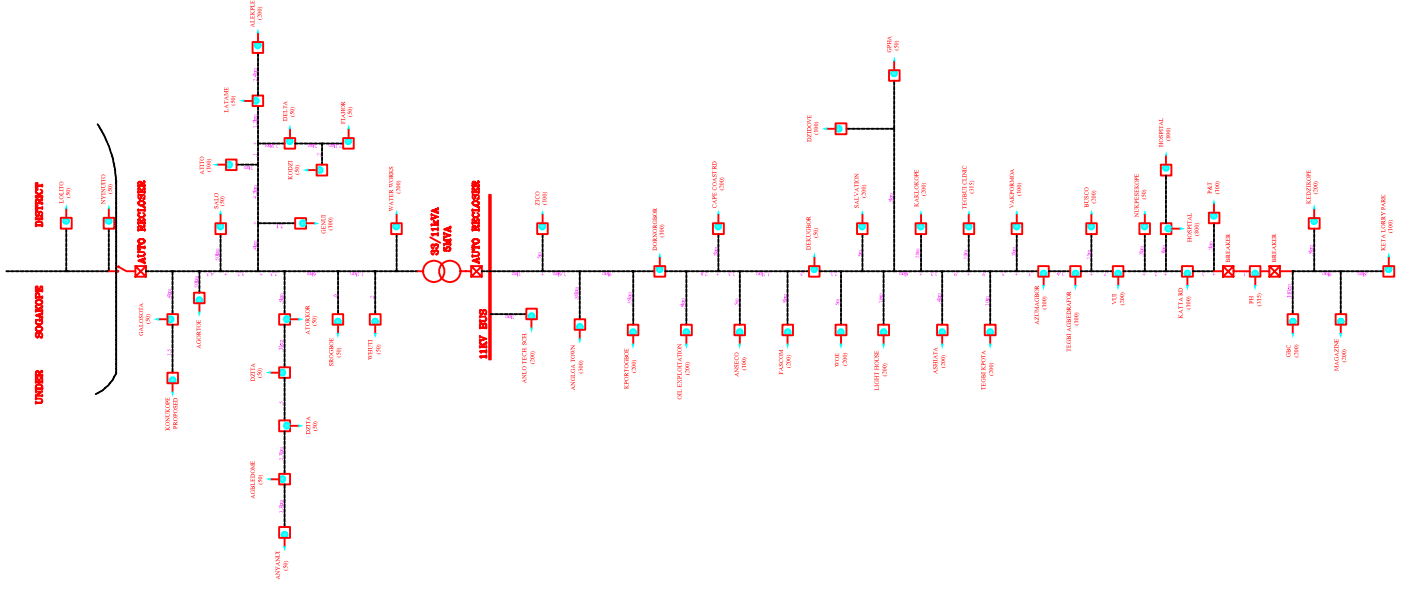
VOLTA-REGION

Title

HOHOE 11/33KV
SCHEMATIC DIAGRAM

Scale:	Not to Scale	Designed:	
Drawn:	Emanuel Okwah A.	Checked:	
Date:	June 2006	Approved:	
Drawing No.:		Rev.:	





No.	Date	Revision	Drawn	Checked
ELECTRICITY COMPANY OF GHANA LTD				
VOLTA—REGION				
Title				
KETA 33/11kV				
SCHEMATIC DIAGRAM				
Scale	Sheet No.			Design by
Drawn: Emmanuel Kwakwa A.	Checked:			
Drawn: June 2018	Approved:			
Drawing No.	Rev.			

Rev.	Date	Revision	Drawn	Checked

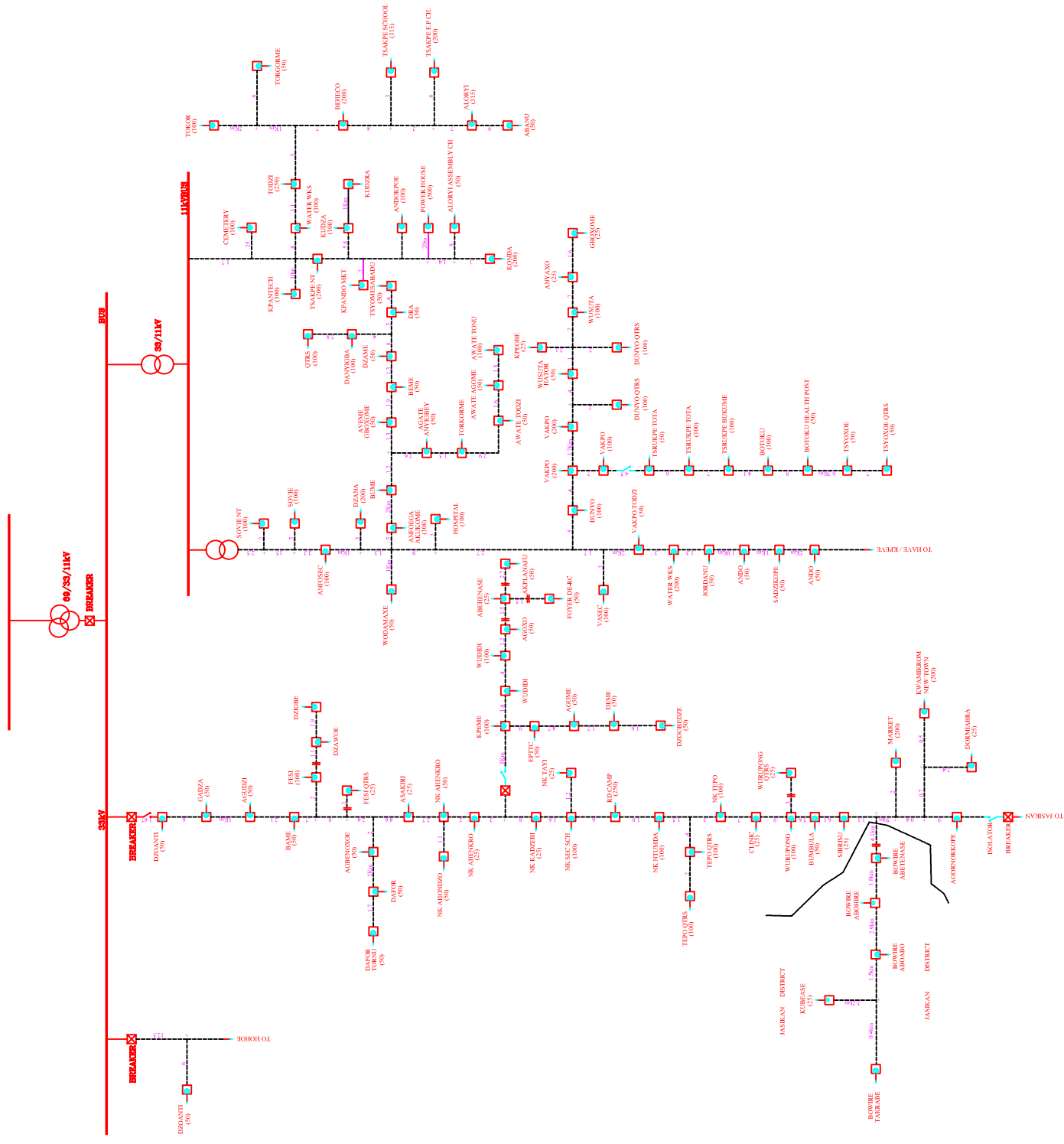


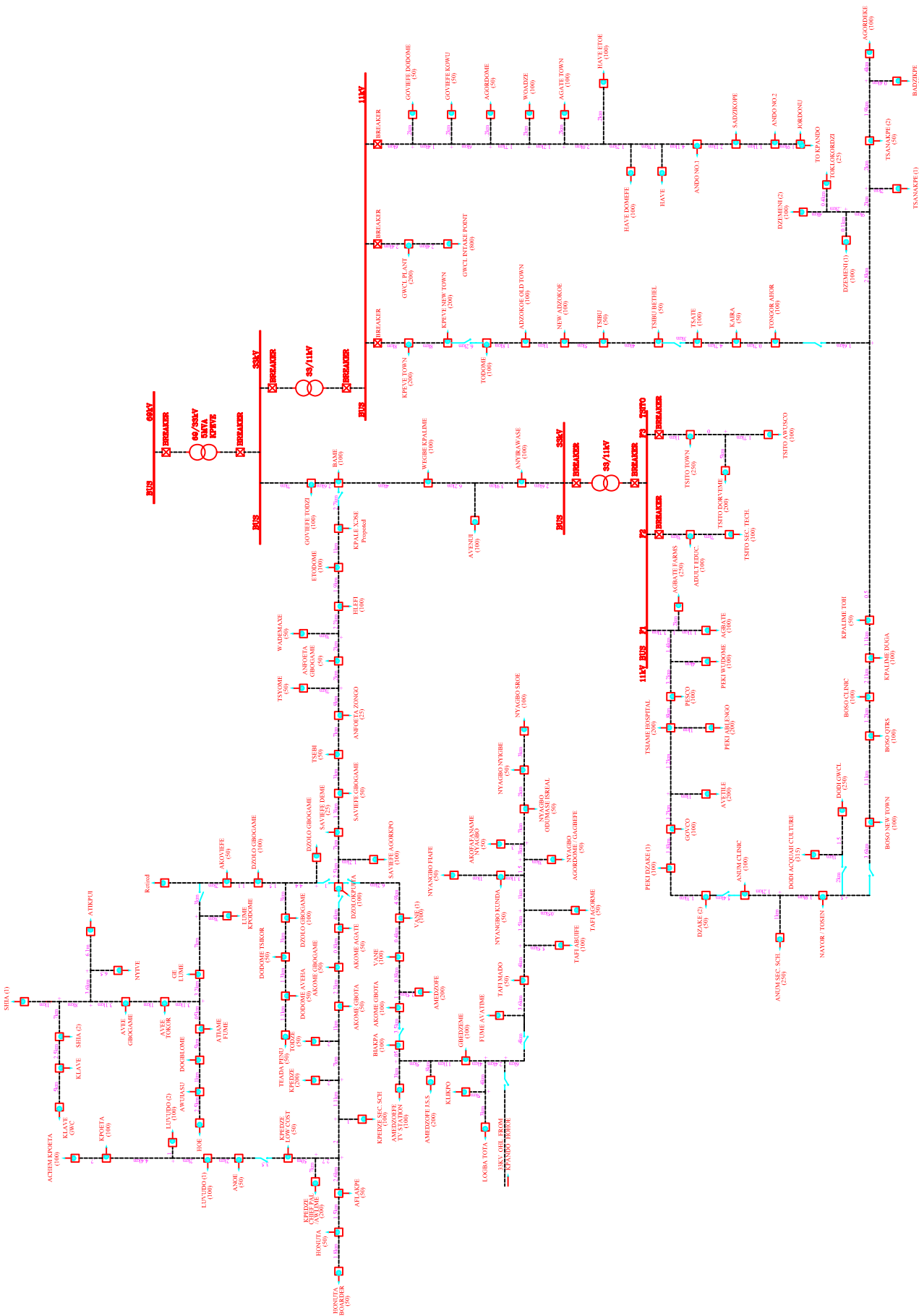
ELECTRICITY COMPANY OF GHANA LTD

VOLTA-REGION

KPANDO 11/33kV SCHEMATIC DIAGRAM

Scale:	Not to Scale	Designed:	
Drawn:	Emmanuel Okwah A.	Checked:	
Date:	June 2006	Approved:	
Drawing No.:		Rev.:	





ELECTRICITY COMPANY OF GHANA LTD

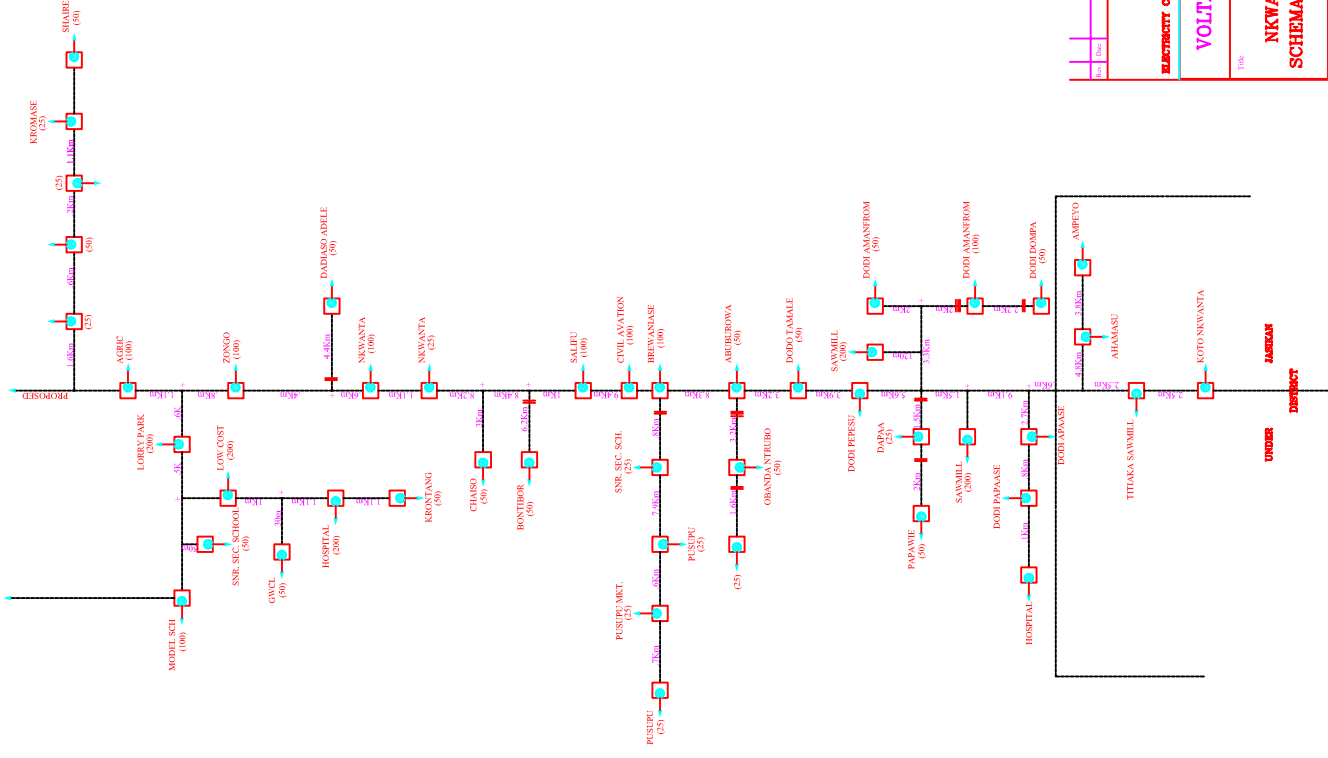
VOLTA-REGION


KPEVE 33/11kV SCHEMATIC DIAGRAM

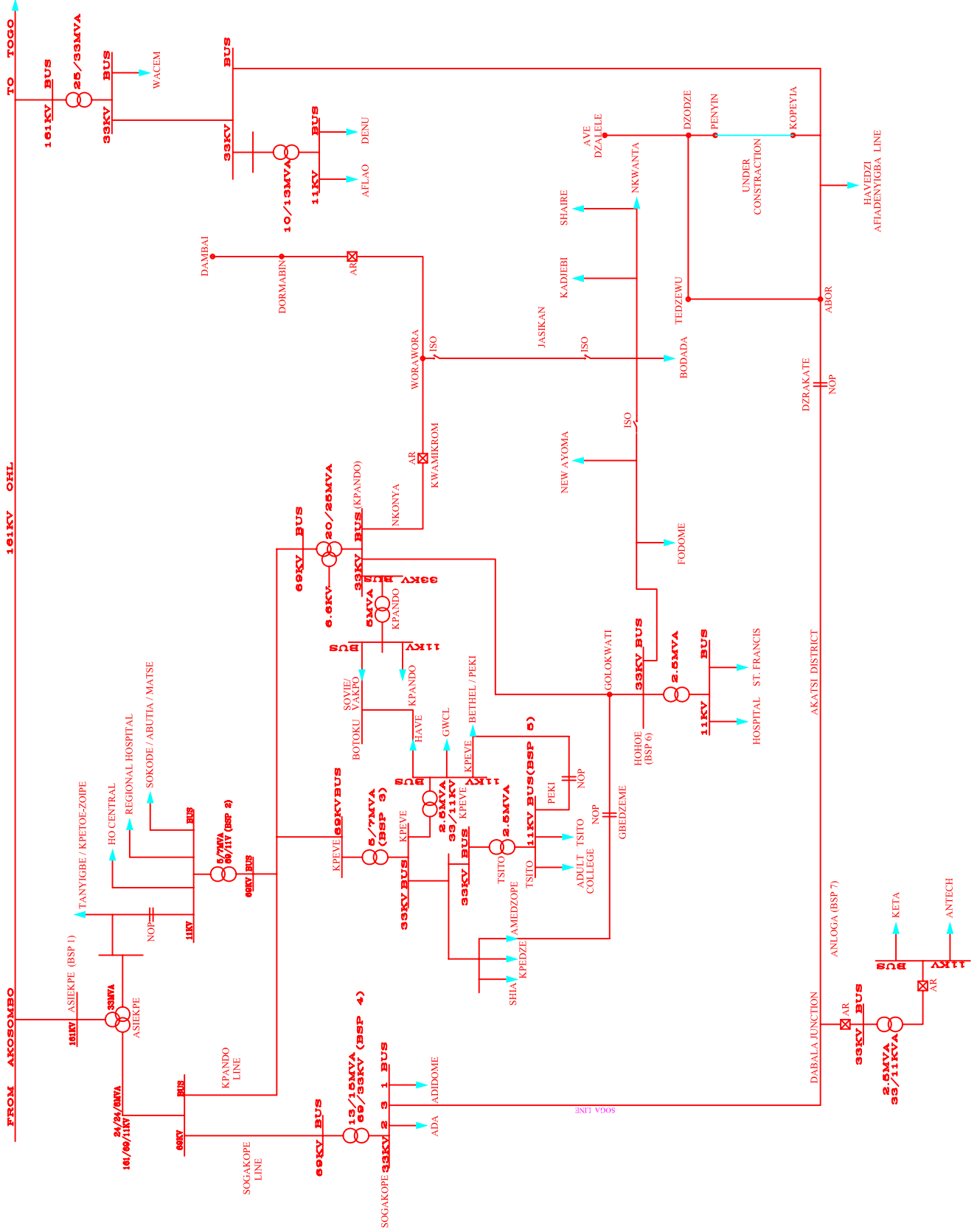
Title

Scale:	Not to Scale	Designed:	J.A. Dabire
Drawn:	Emmanuel Okwah A.	Checked:	Dim Akpanah-Lah
Date:	June 2006	Approved:	Dim Akpanah-Lah
Drawing No.:		Rev.:	

Rev.	Date	Revision	Drawn	Checked



Rev	Date	Revision	Drawn	Checked
 ELECTRICITY COMPANY OF GHANA LTD				
VOLTA - REGION				
NKWANTA 33KV SCHEMATIC DIAGRAM				
Title				
Scale	Not to Scale	Drawing No. / Rev.		
Drawn	Erasmus Kwasi A.	Checked		
Date	20th June 2018	Reviewed		
Drawing No.				



Rev.	Date	Revision	Drawn	Checked



ELECTRICITY COMPANY OF GHANA LTD

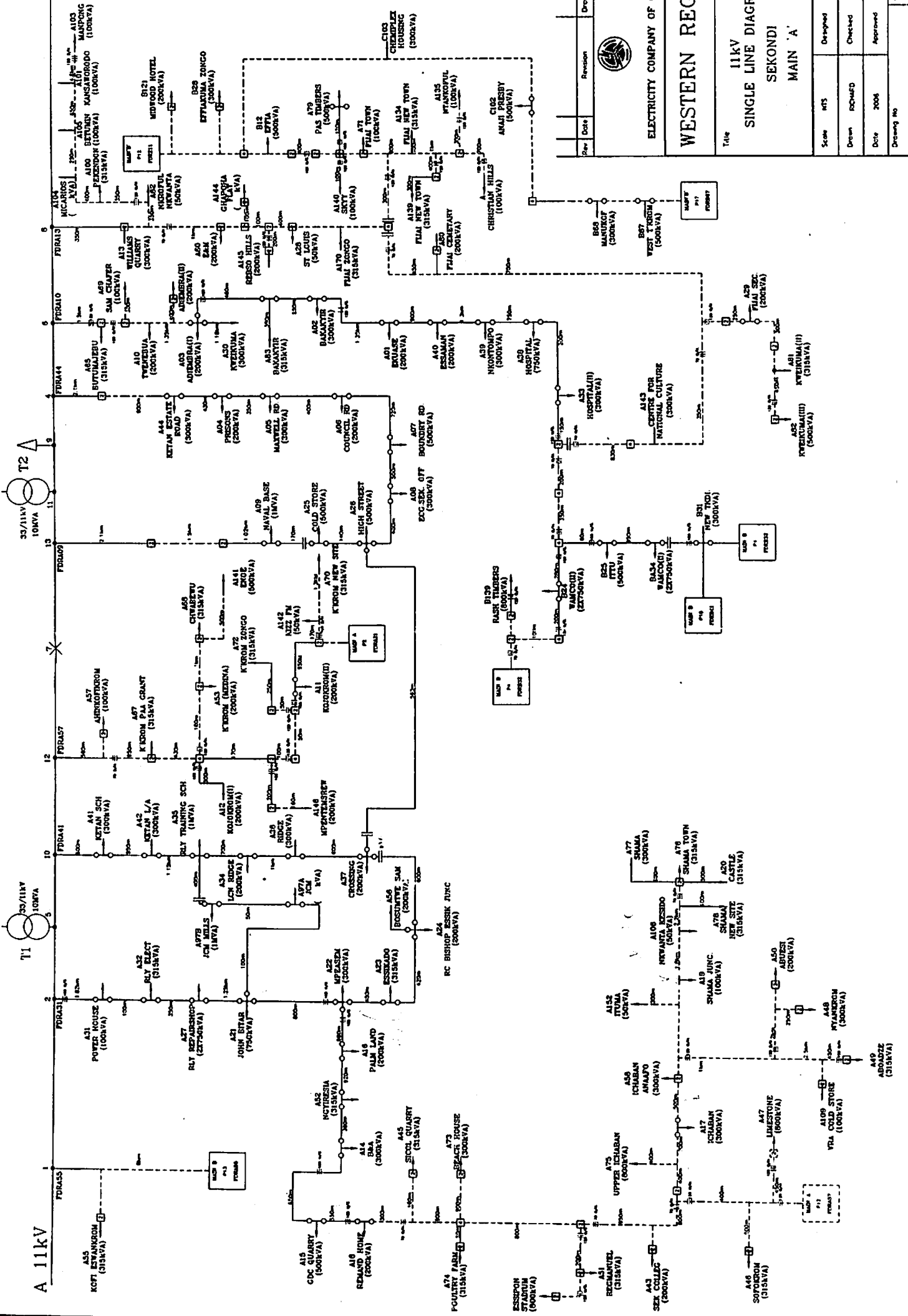
Title	
VOLTA REGION SUBTRANSMISSION NETWORK DIAGRAM 69/33/11KV	
Scale: Not to Scale	Designed: C.A.K. Akwete / P.M. Edeh
Drawn: Emmanuel Okwabi A.	Checked: Dan Kwamehiah / Kog. Eng.
Date: 8 June 2006	Approval:
Drawing No.:	Rev.:

Single Line Diagram


Western

A 11kV

A



Rev	Date	Revision	Drawn	Checked

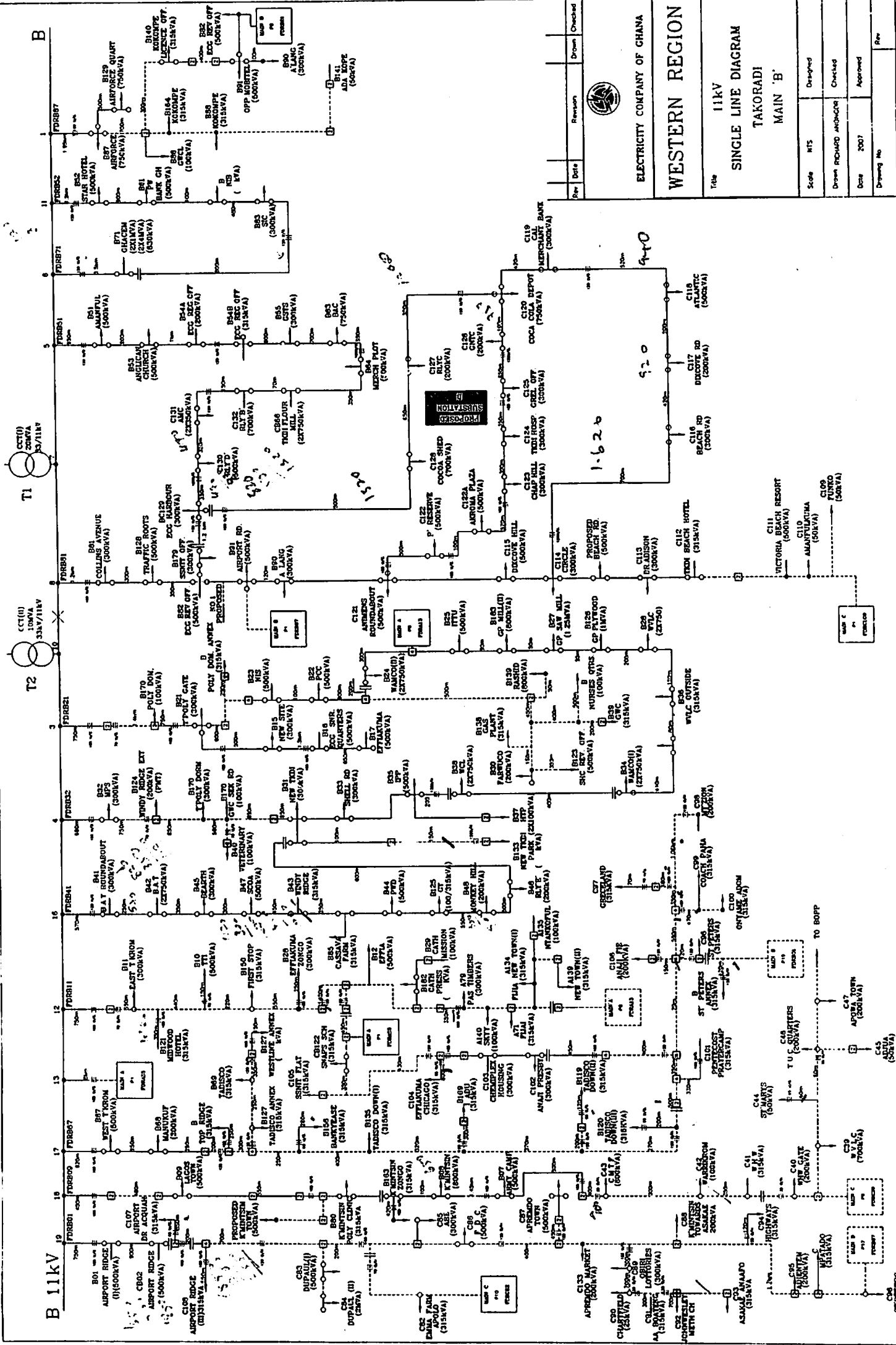

ELECTRICITY COMPANY OF GHANA
WESTERN REGION

11kV
SINGLE LINE DIAGRAM
SEKONDI
MAIN 'A'

Scale	M/S	Designed
Drawn	ROBERT	Checked
Date	2006	Approved
Drawings No		Rev

B

B 11kV

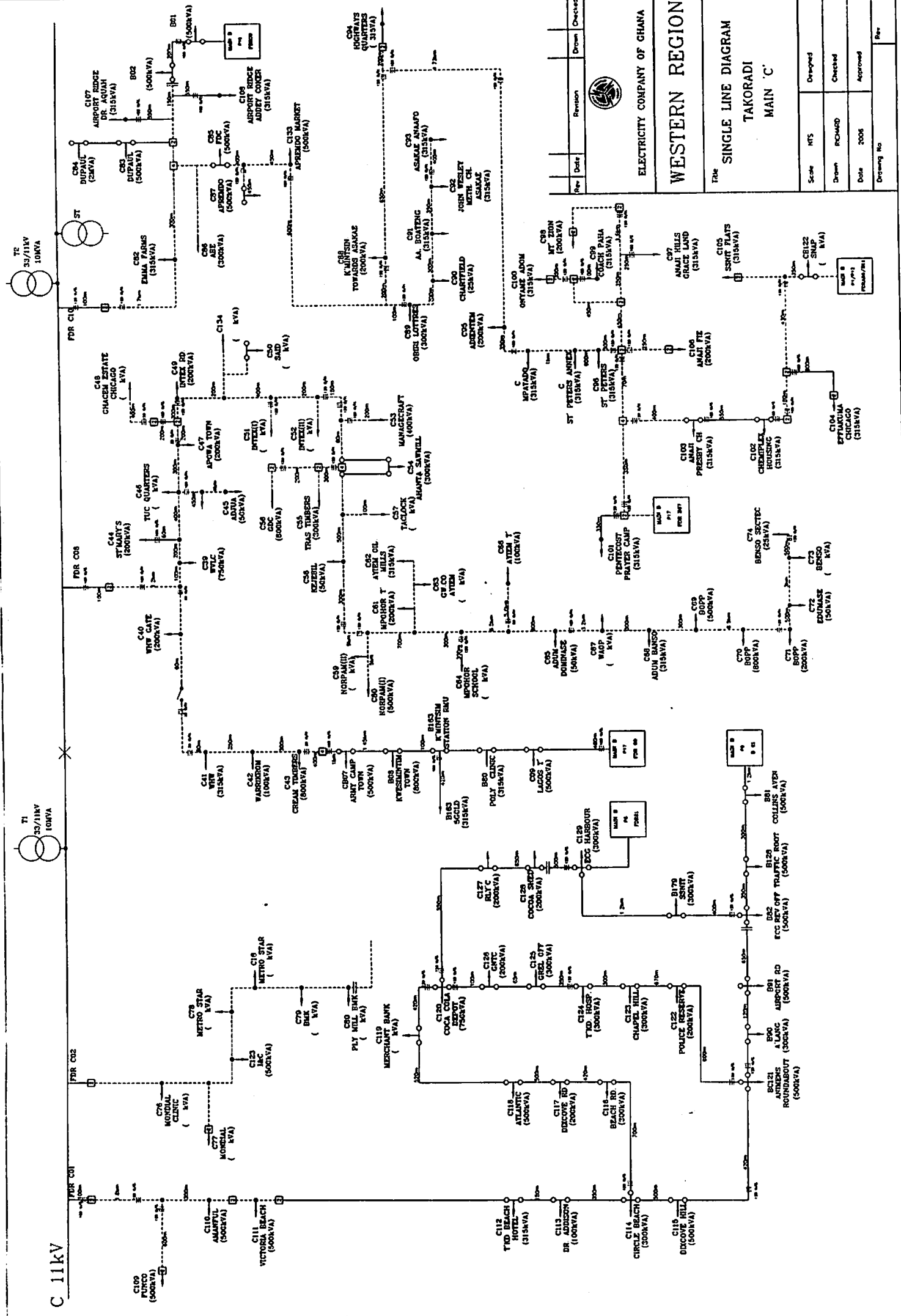


ELECTRICITY COMPANY OF GHANA

WESTERN REGION

Title
11kV
TAKORADI
MAIN LINE DIAGRAM
MAIN 'B'

Scale	MTS	Drawn	REHMAN ANJUM	Checked	
Date	2007	Approved			
Drawing No		Rev			



No.	Date	Revision	Drawn	Checked	By

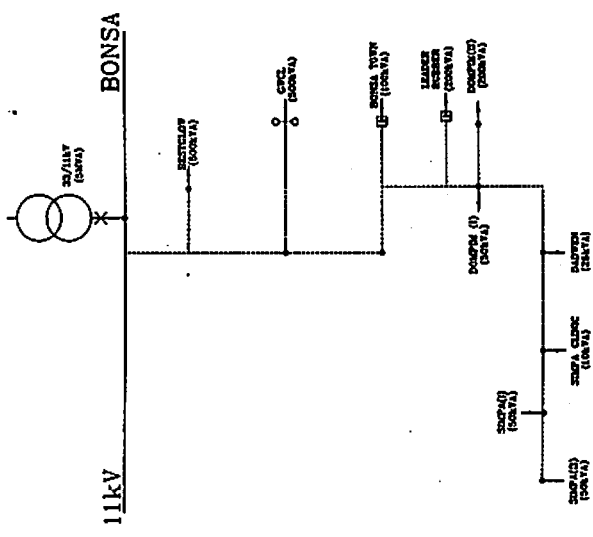
ELECTRICITY COMPANY OF GHANA

WESTERN REGION

The **SINGLE LINE DIAGRAM**
TAKORADI
MAIN 'C'

Scale	NTS	Drawn	PC/40/D	Date	2008

Drawing No	Rev



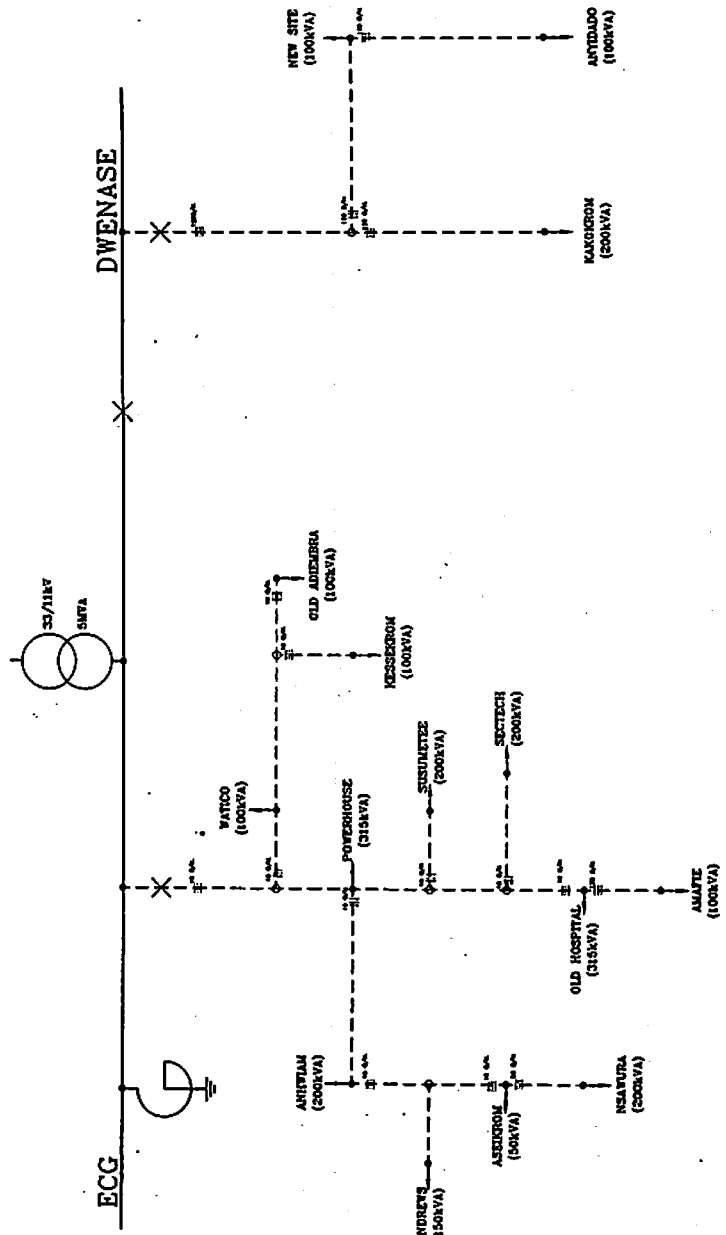
Project No.	Sheet No.	Revision	Date

ELECTRICITY COMPANY OF CHINA


WESTERN REGION

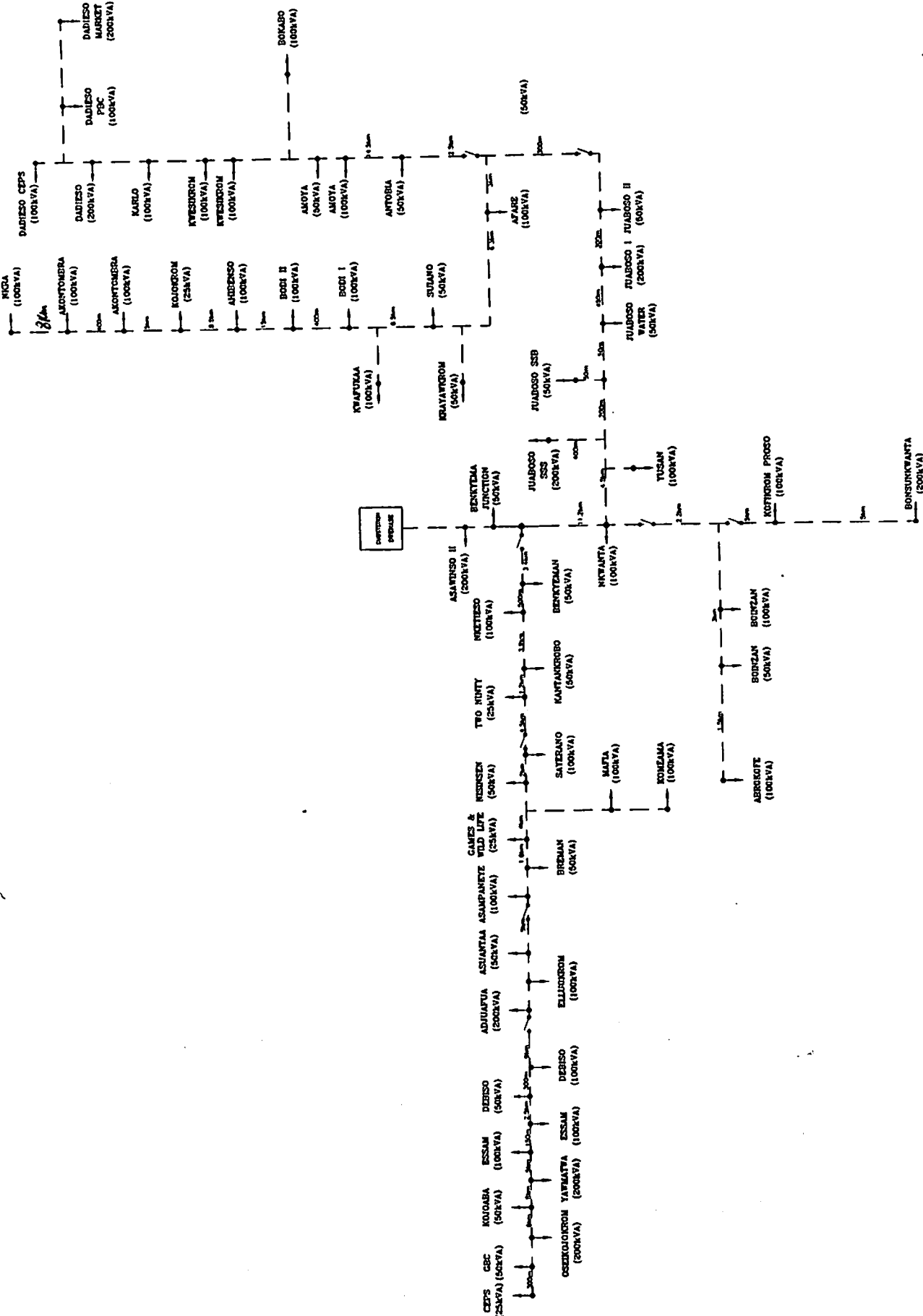
Line No. **11KV**
SINGLE LINE DIAGRAM
BONSA TAIRIWA

Scale	1:1
Date	2018
Author	
Checked	
Approved	
Project No.	



Rev.	Date	Revision	Drawn	Checked

 ELECTRICITY COMPANY OF GHANA		
WESTERN REGION		
Title SINGLE LINE DIAGRAM 11KV SEFWI WIAMSO		
Scale	ITS	Designed
Drawn	RICHARD	Checked
Date	2006	Approved
Drawing No.		Rev.



Rev	Date	Revision	Drawn	Checked

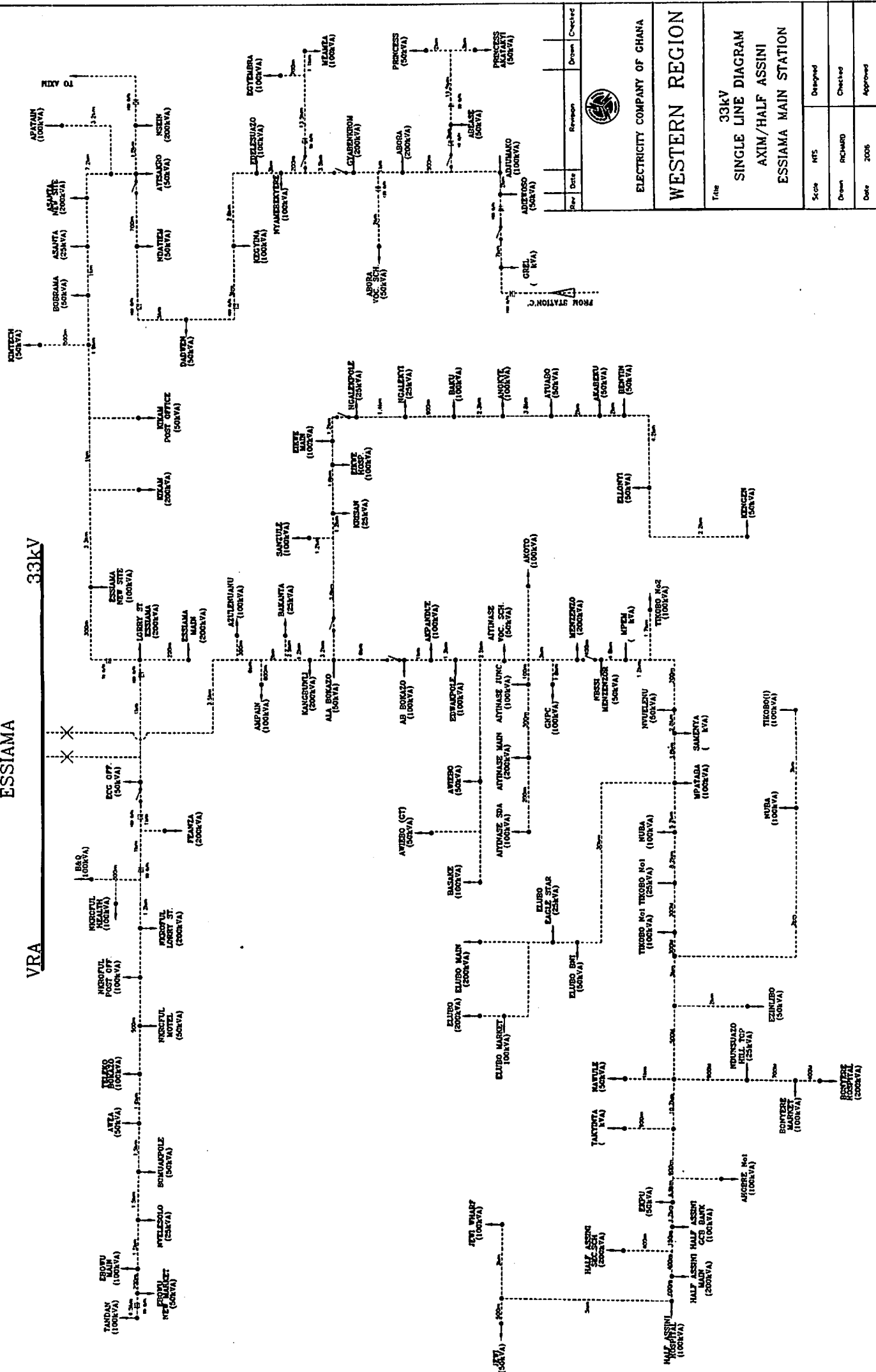
ELECTRICITY COMPANY OF GHANA	
WESTERN REGION	
Title	
SINGLE LINE DIAGRAM	33kV
JUABOSO BIA	

Scale	NTS	Designed
Drawn	RICHARD	Checked
Date	2006	Approved
Drawing No.		Per

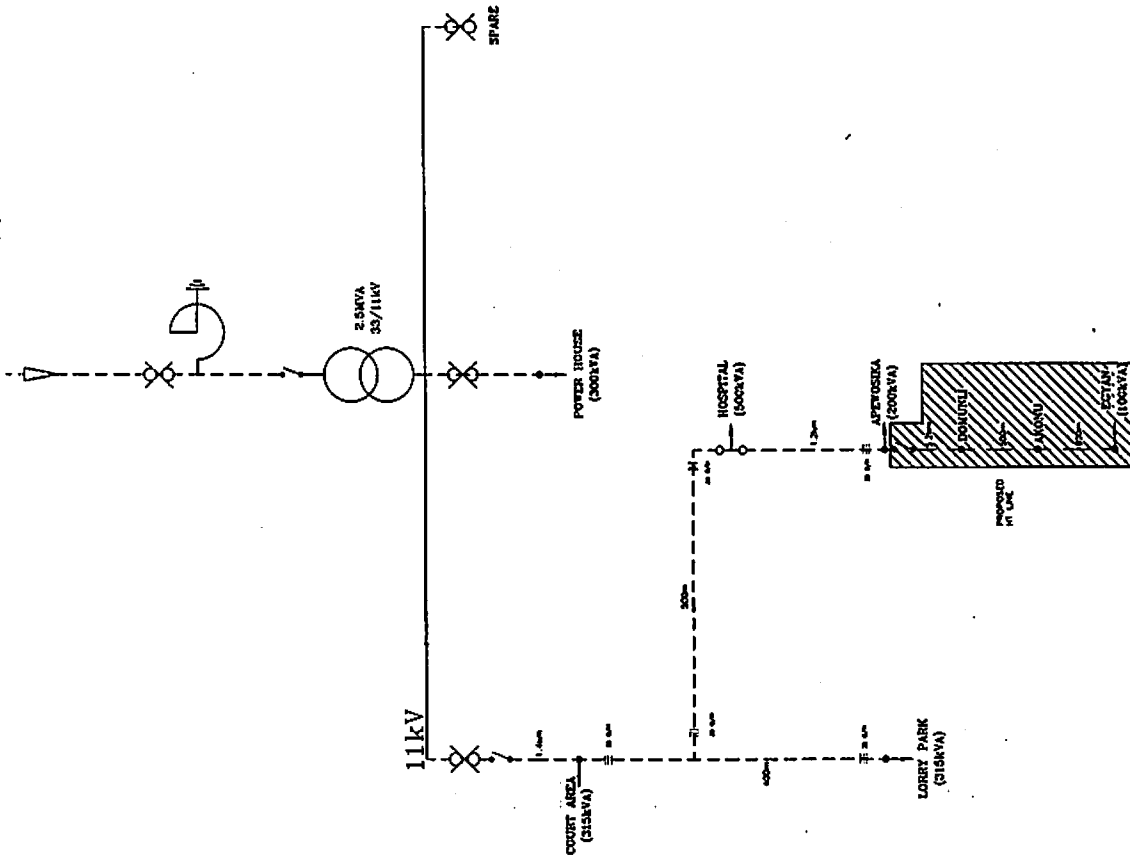
ESSIAMA

33kV

VRA



		ELECTRICITY COMPANY OF GHANA	
WESTERN REGION			
<p style="text-align: center;">Title</p> <p style="text-align: center;">33kV SINGLE LINE DIAGRAM AXIM/HALF ASSINI ESSIAMA MAIN STATION</p>			
Scale	M/S	Designed	
Drawn	RICHARD	Checked	
Date	2006	Approved	
Drawing No			1/1



No.	Date	Revision	Drawn	Checked

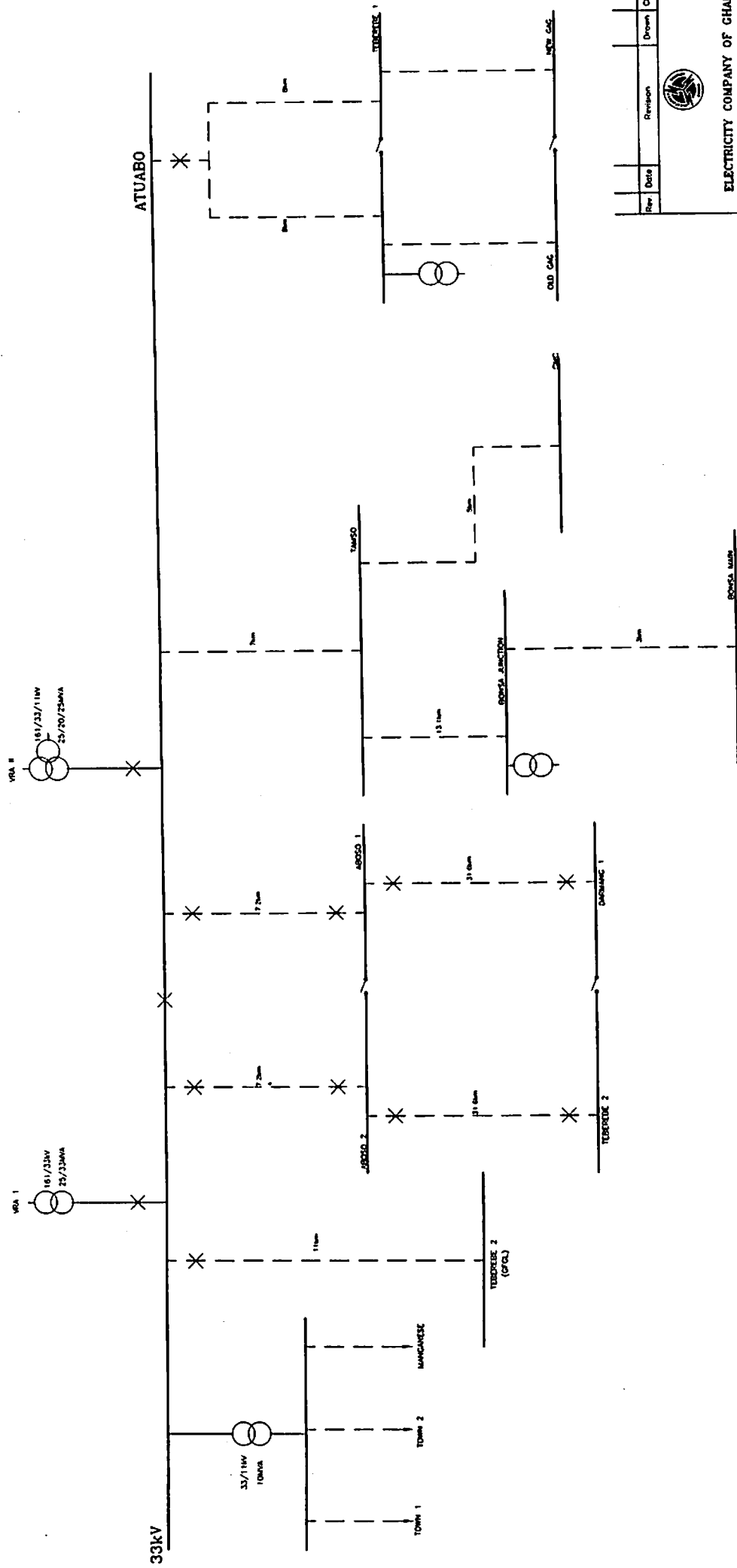


ELECTRICITY COMPANY OF GHANA


WESTERN REGION

Title
 SINGLE LINE DIAGRAM
 11kV
 AXIM TOWN

Scale	N/S	Designed
Drawn	PC/UGD	Checked
Date	2006	Approved
Drawing No.	Rev.	



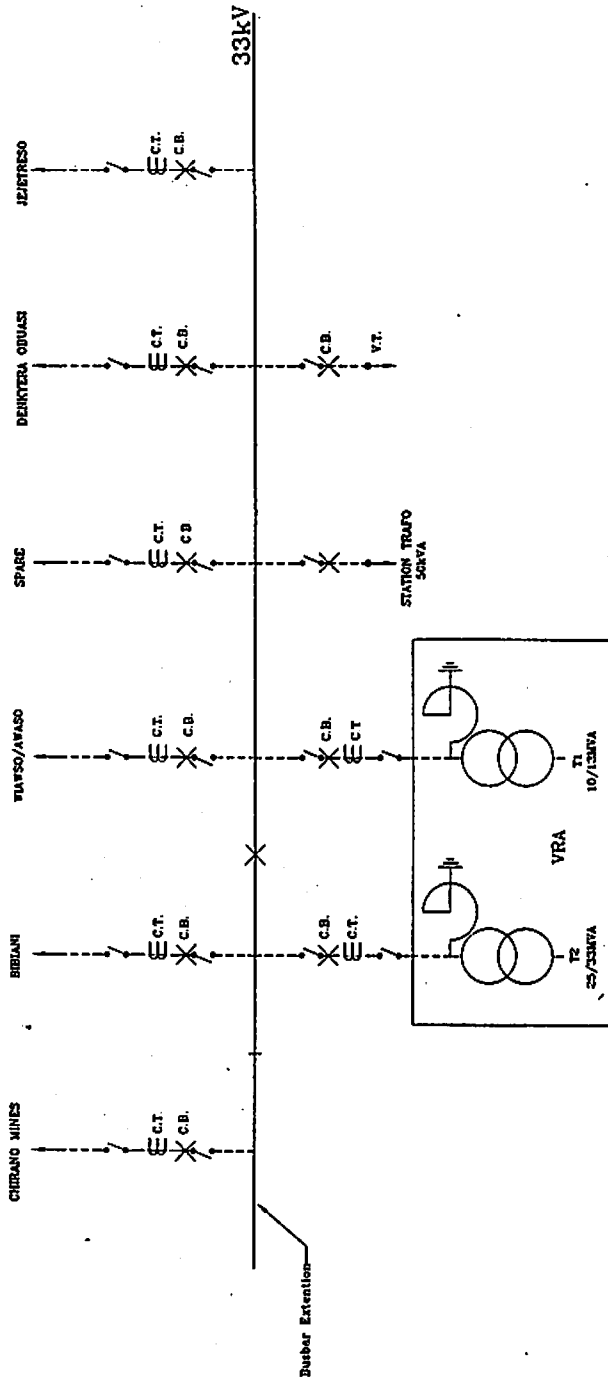
Rev.	Date	Revision	Drawn	Checked


ELECTRICITY COMPANY OF GHANA
WESTERN REGION

Title: **33kV SINGLE LINE DIAGRAM ATUABO TARKWA MAIN STATION**
(TARKWA BSP ARRANGEMENT)

Scale	NTS	Designed
Drawn	RT ANONGOR	Checked
Date	2006	Approved

Drawing No: _____ Rev: _____



Rev.	Date	Revision	Drawn	Checked



ELECTRICITY COMPANY OF GHANA

WESTERN REGION

Title

161/33kV
SINGLE LINE DIAGRAM

SEFWI

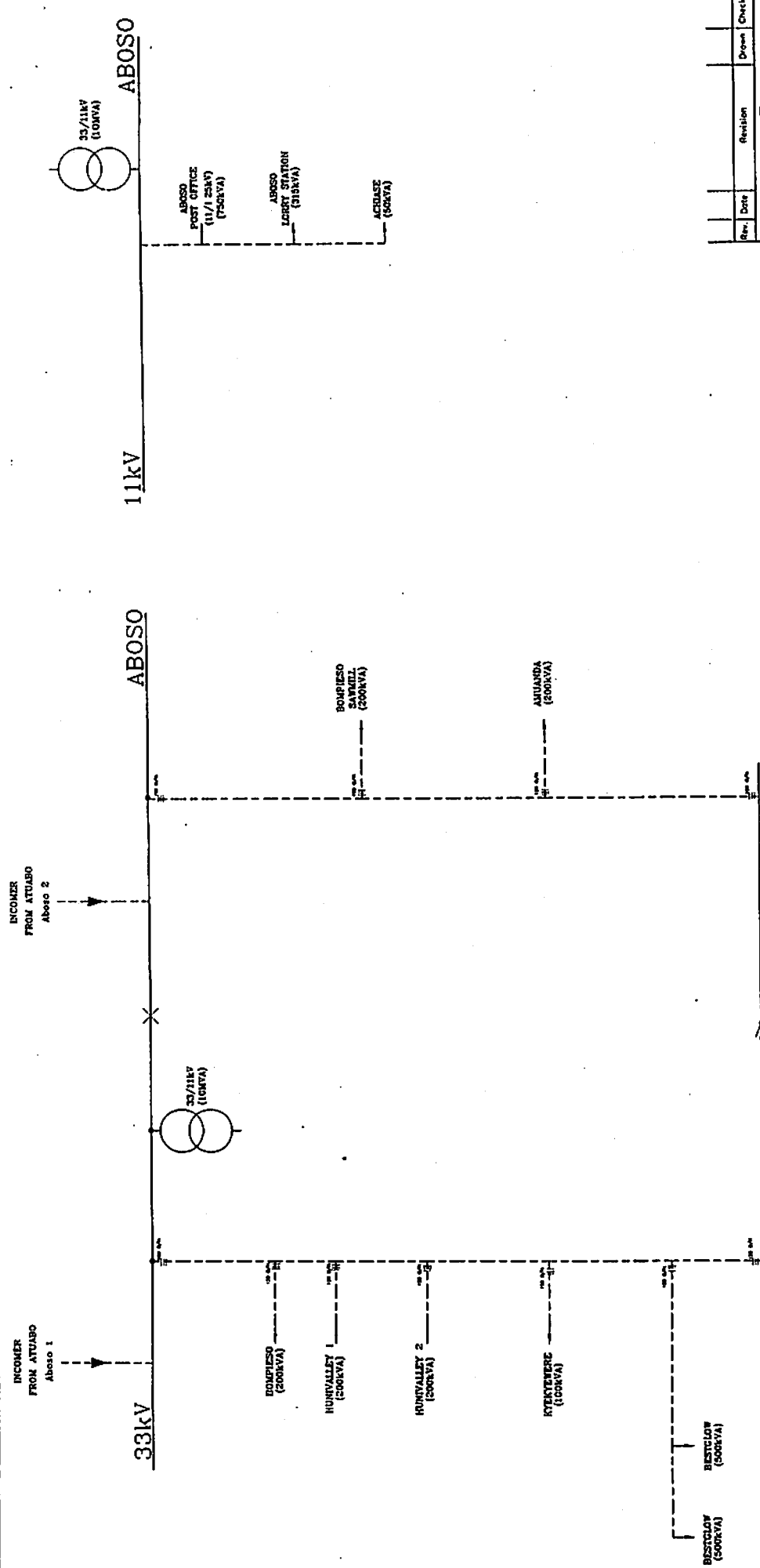
ASAWINSO 'A'

Scale	MIS	Designed


Drawn	Checked

Date	2006	Approved

Drawing No.	Rev



Rev.	Date	Revision	Drawn	Checked


ELECTRICITY COMPANY OF GHANA
WESTERN REGION

Title
33/11kV SINGLE LINE DIAGRAM
ABOSO TARKWA

Scale	M/S	Designed

Drawn	Checked

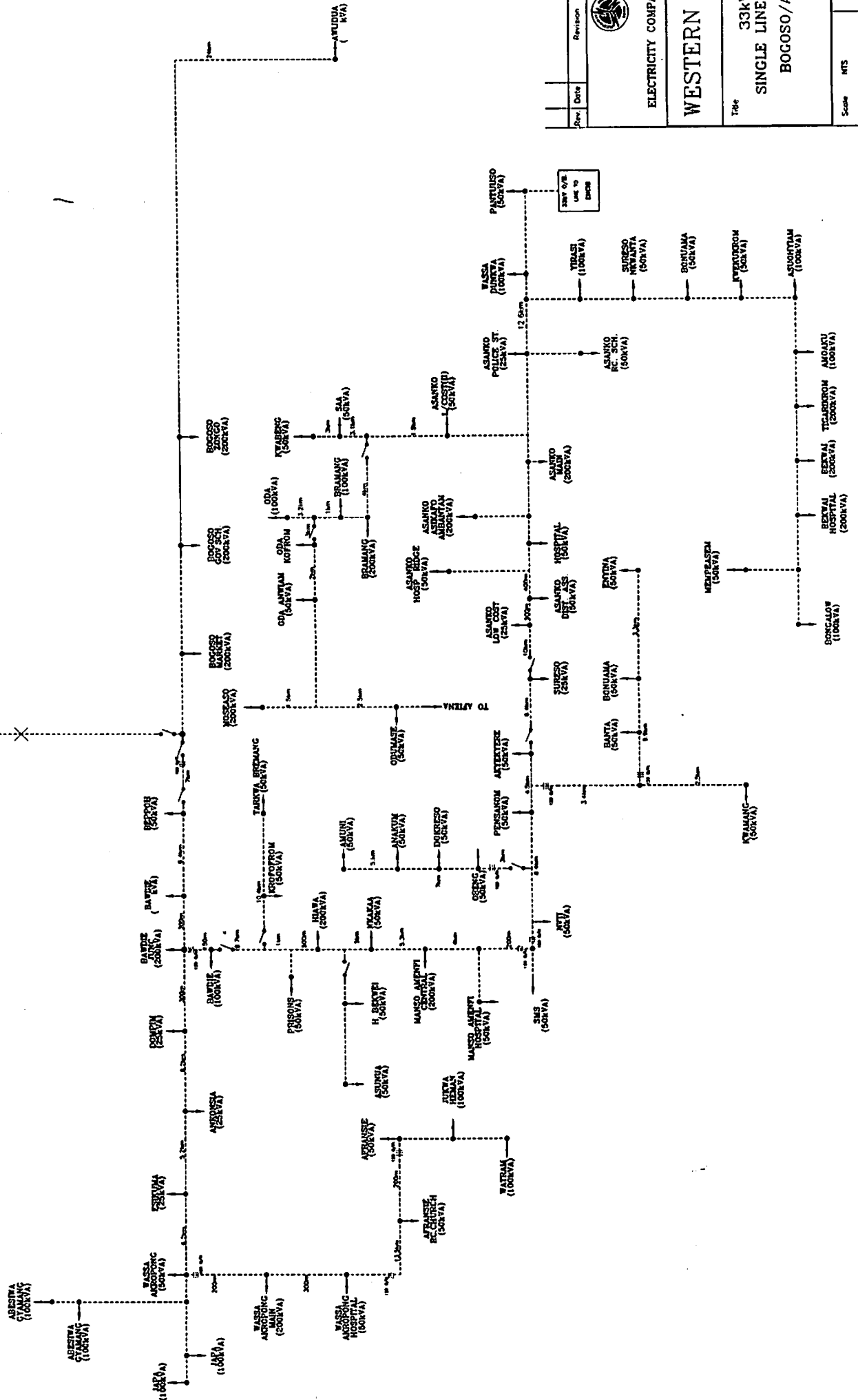
Date	Approved
2006	

Drawing No.	Rev.

BOGOSO

33kV

VRA



Rev.	Date	Revision	Drawn	Checked

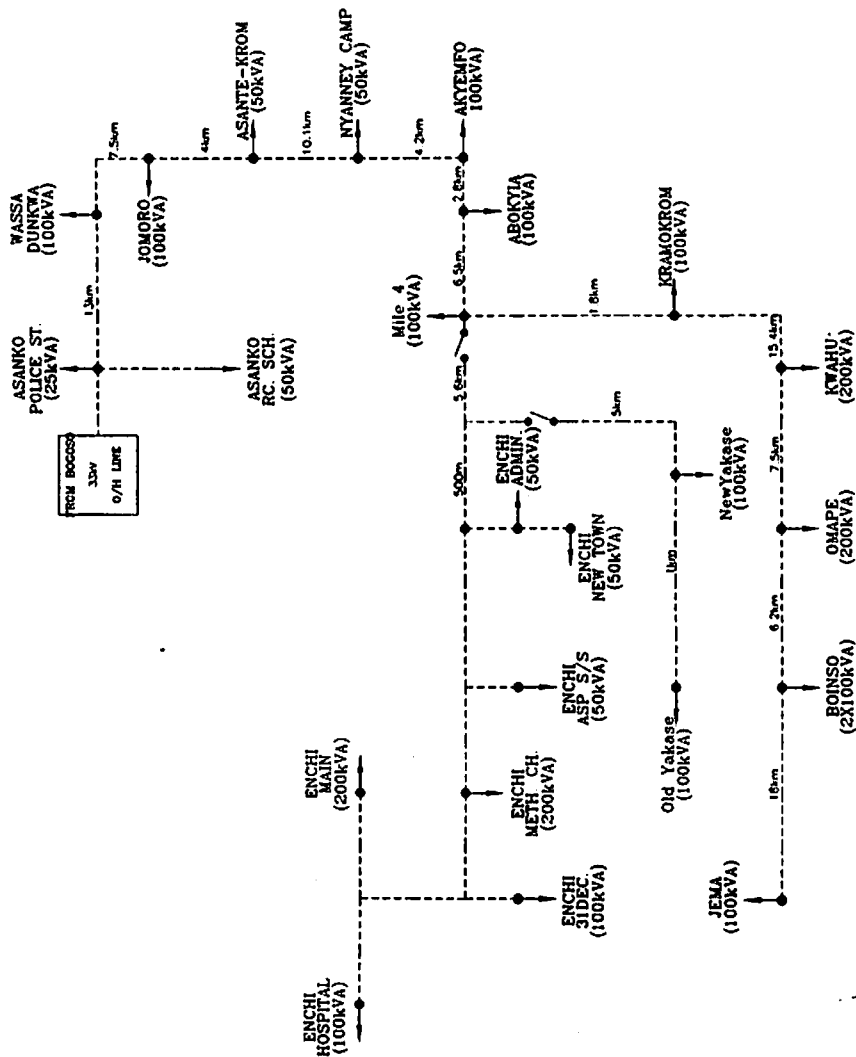


ELECTRICITY COMPANY OF GHANA

WESTERN REGION

Title: 33kV SINGLE LINE DIAGRAM BOGOSO/ASANKO

Scale	NTS	Drawn	Developed
Drawn	RICHARD	Checked	
Date	2006	Approved	
Drawing No.			R/r



Rev	Date	Revision	Drawn	Checked

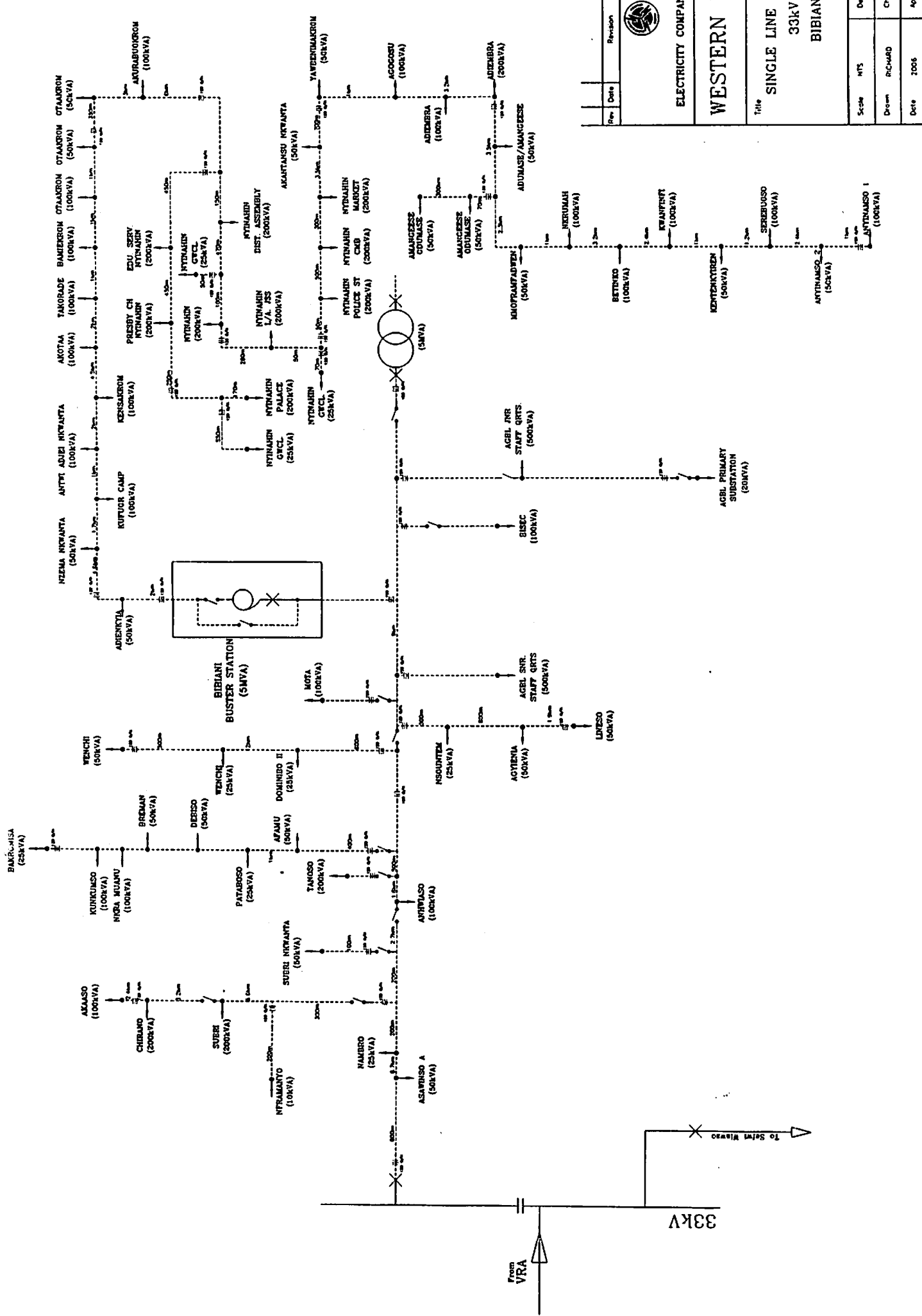


ELECTRICITY COMPANY OF GHANA

WESTERN REGION

Title
33kV
SINGLE LINE DIAGRAM
ENCHI

Scale	M/S	Designed
Drawn	FOUWOD	Checked
Date	2006	Approved
Drawing No		Rev.



Rev.	Date	Revision	Drawn	Checked



ELECTRICITY COMPANY OF GHANA

WESTERN REGION

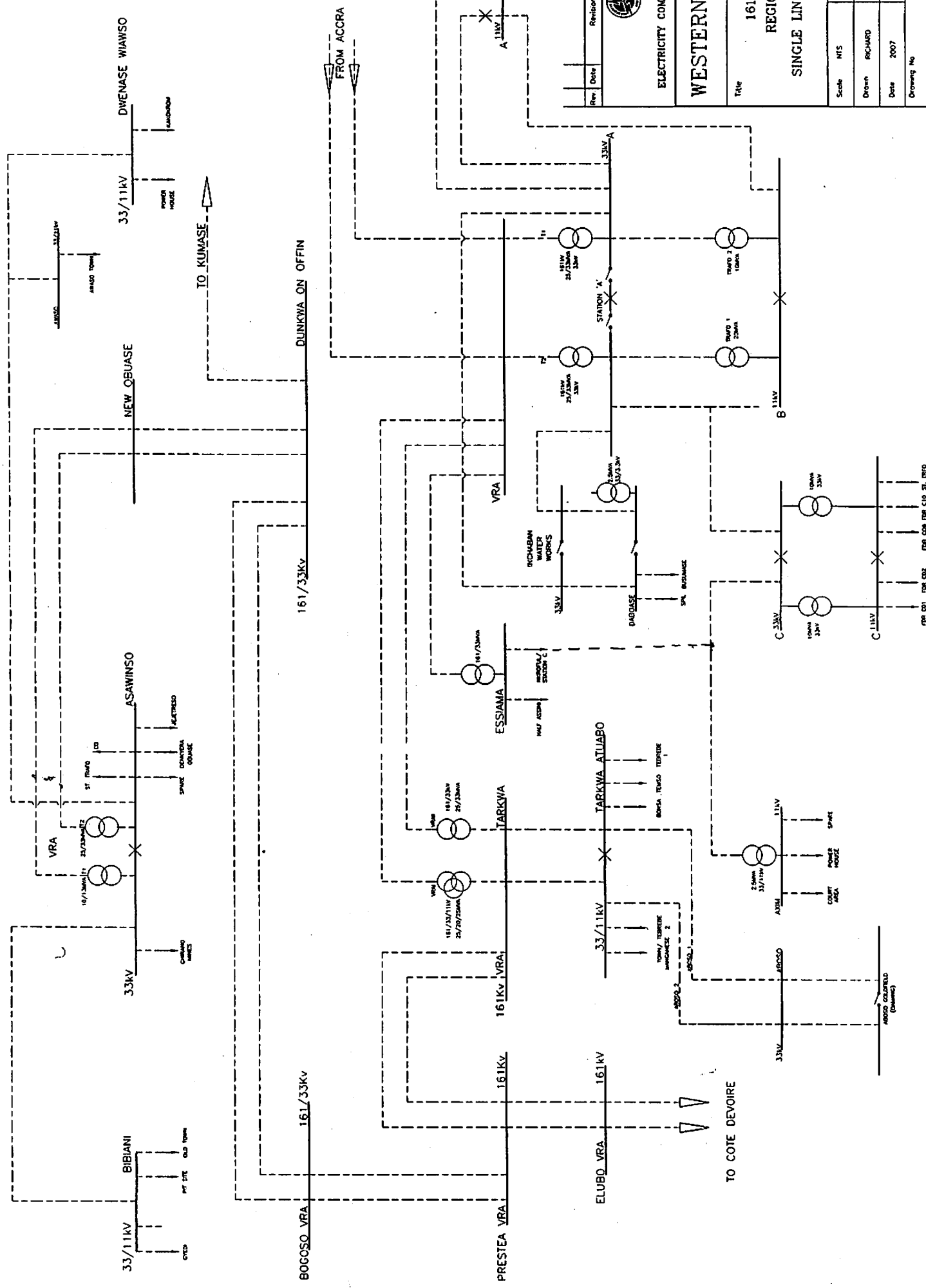
Title
**33kV
 BIBIANI**

Scale	HTS	Designed
Drawn	RC-MAB	Checked
Date	2006	Approved
Drawing No.		Rev.

33kV

From
 VRA

To Selimi Wamawo



Rev	Date	Revision	Drawn	Checked

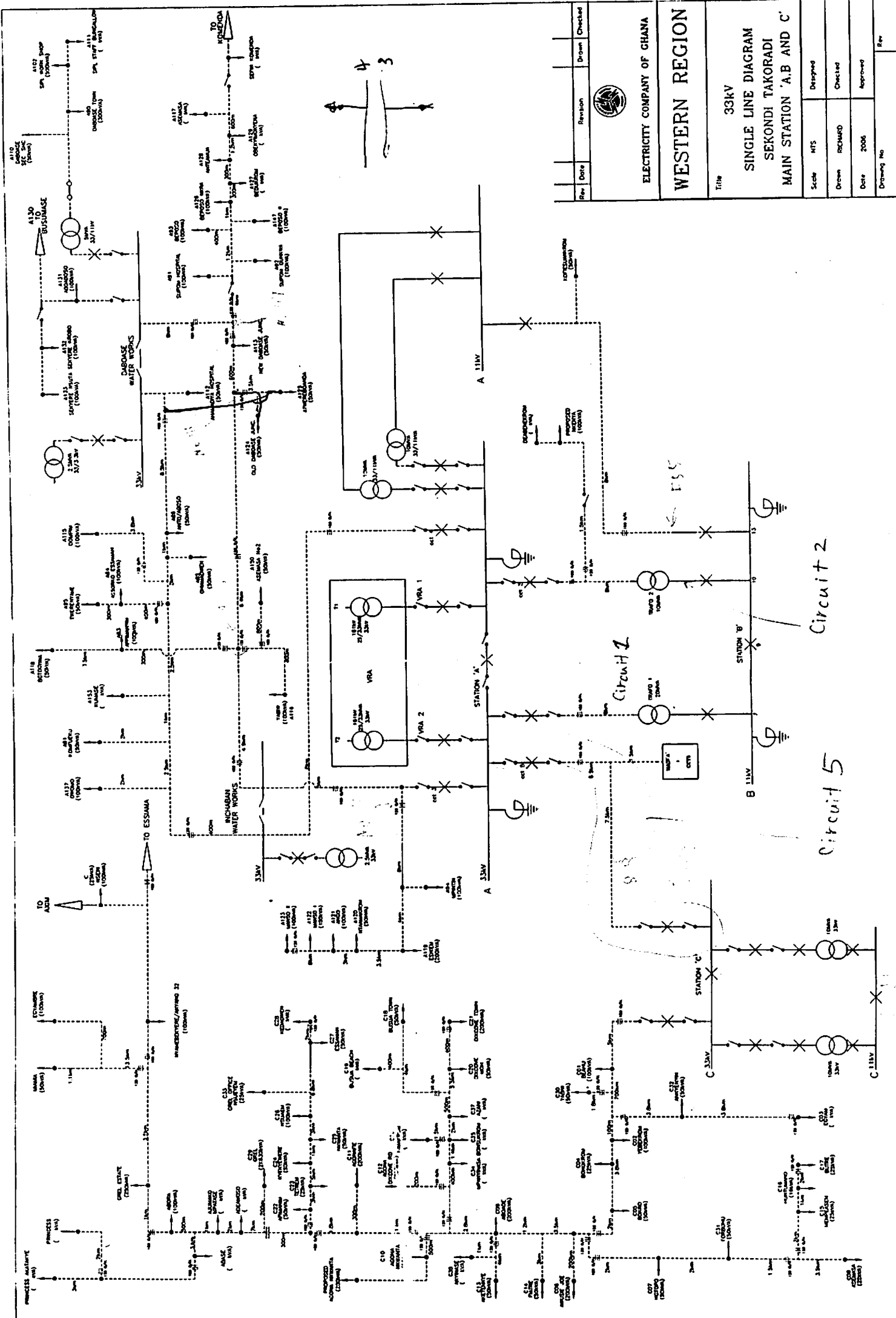


ELECTRICITY COMPANY OF GHANA

WESTERN REGION

Title
161kV REGIONAL SINGLE LINE DIAGRAM

Scale	N/S	Drawn	Date	Checked	Approved	Drawing No	Rev



Rev	Date	Revision	Drawn	Checked



ELECTRICITY COMPANY OF GHANA

WESTERN REGION

Title
 33kV
 SINGLE LINE DIAGRAM
 SEKONDI TAKORADI
 MAIN STATION 'A, B AND C'

Scale	HTS	Designed
Drawn	RECHARD	Checked
Date	2006	Approved
Drawing No		Rev

Circuit 1

Circuit 2

Circuit 5