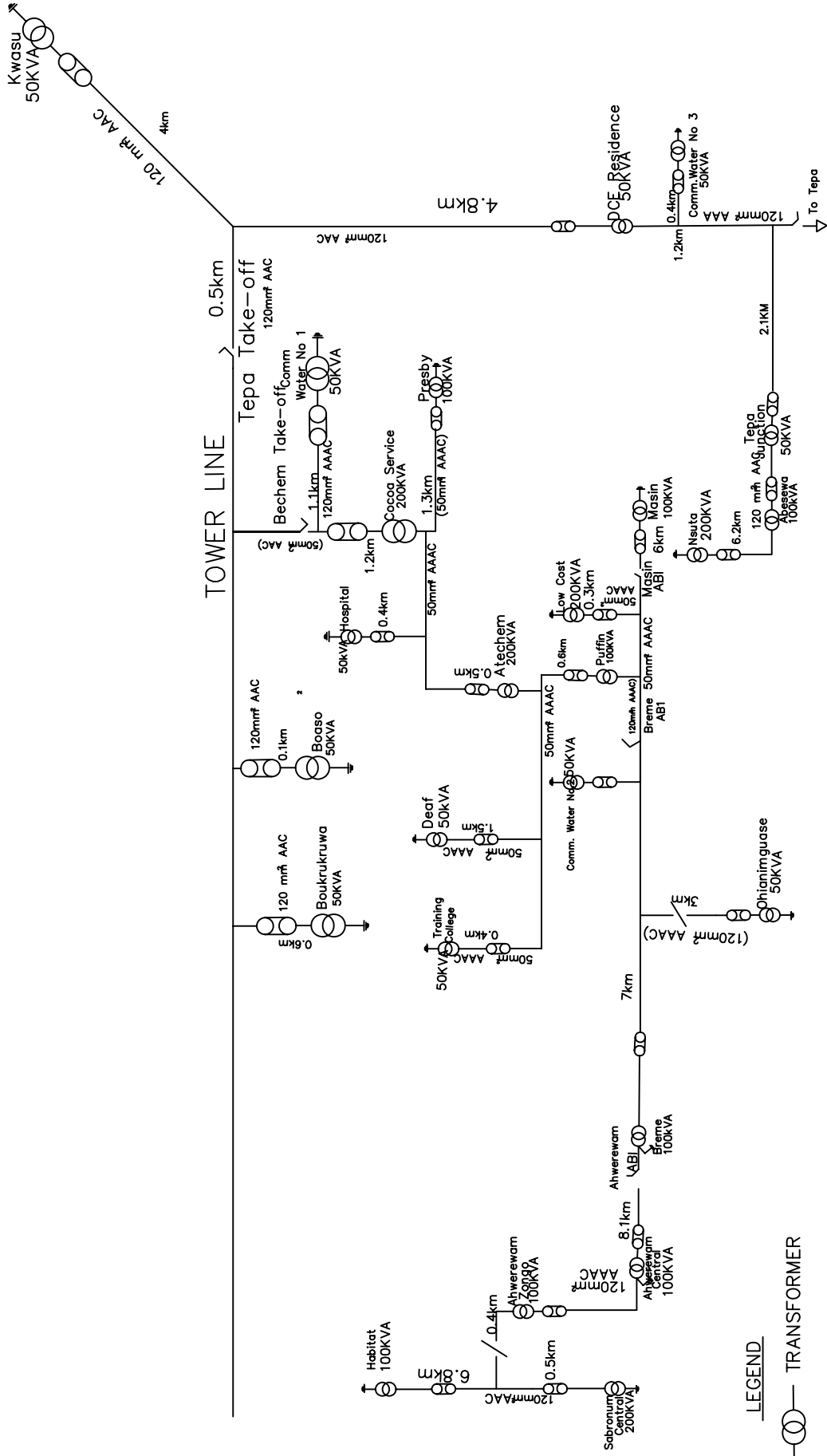


Single Line Diagram

Sunyani

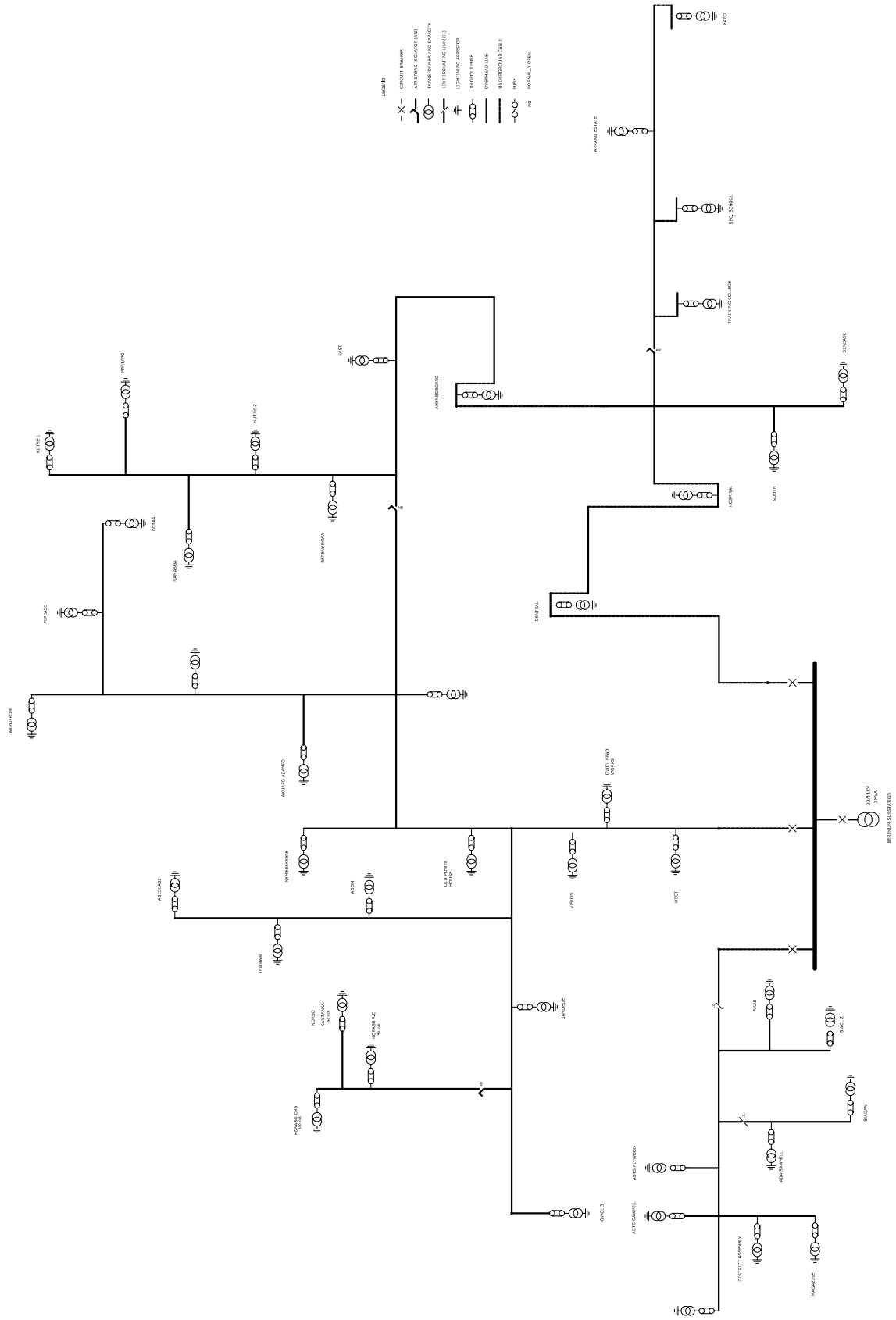
SINGLE LINE DIAGRAM FOR BECHEM OPERATING AREA



NB: Total Distance = 57.8km

Cable Size 50mm² AAAC = 7.8km

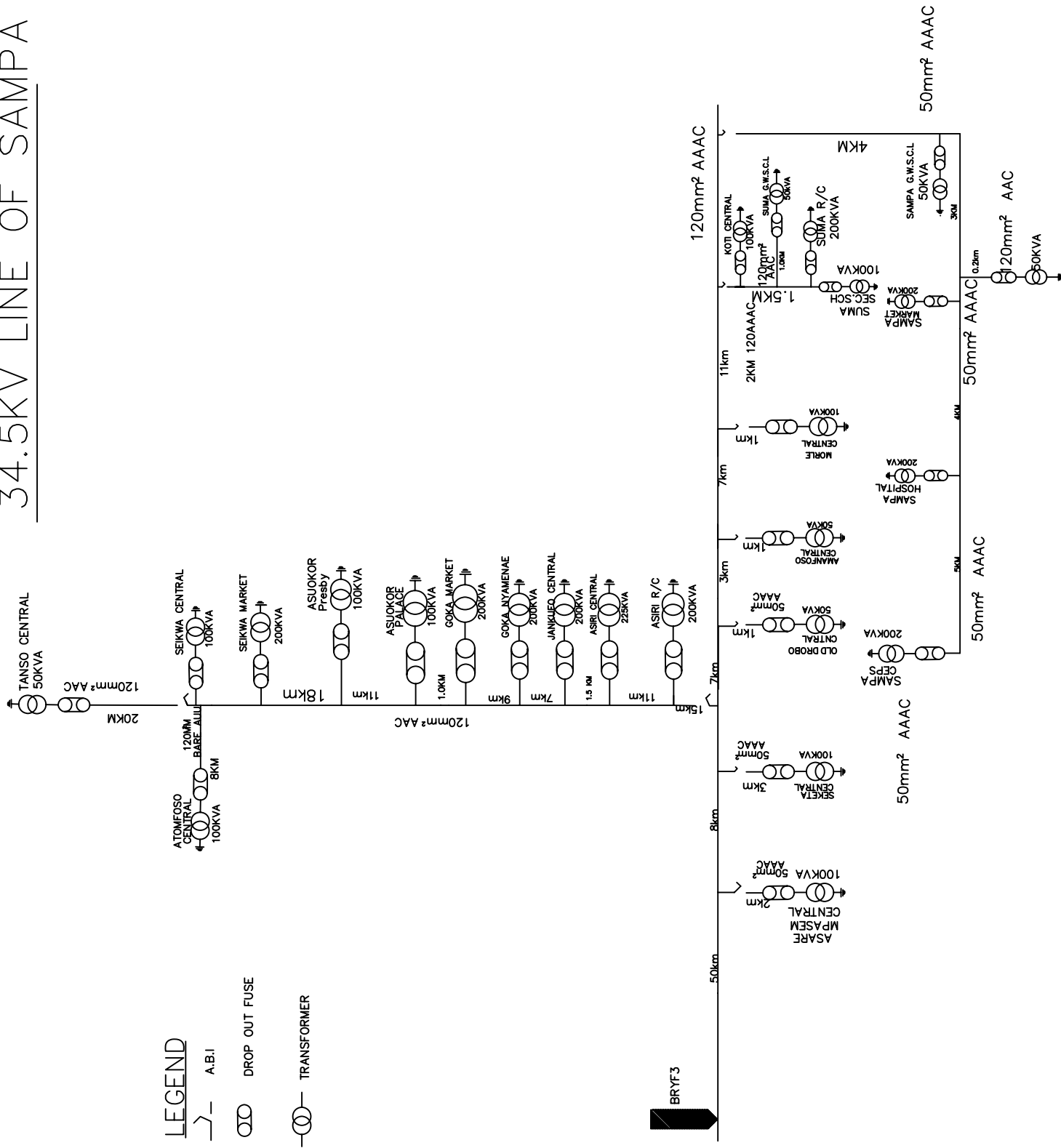
Cable Size 20mm AAC = 50km



- LEGEND
- X- CIRCUIT BREAKER
 - AIR BREAK (DISCONNECT) (A.B.)
 - TRANSFORMER AND CAPACITY
 - LINE ISOLATING SWITCH (L.I.S.)
 - LIGHTNING ARRESTOR
 - DRAW-OUT FUSE
 - OVERHEAD LINE
 - UNDERGROUND CABLE
 - FUSE
 - NORMALLY OPEN

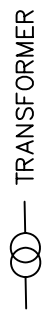
| NORFOLK RIVER AUTHORITY / NORTHERN ELECTRICITY DEPT. | | | | | | | | | |
|--|------|----|---------|-------|-------------|------|----|---------|-------|
| 11kV NETWORK DIAGRAM | | | | | | | | | |
| NO. | DATE | BY | CHECKED | SCALE | PROJECT NO. | DATE | BY | CHECKED | SCALE |
| 1 | | | | | | | | | |
| 2 | | | | | | | | | |
| 3 | | | | | | | | | |
| 4 | | | | | | | | | |
| 5 | | | | | | | | | |
| 6 | | | | | | | | | |
| 7 | | | | | | | | | |
| 8 | | | | | | | | | |
| 9 | | | | | | | | | |
| 10 | | | | | | | | | |
| 11 | | | | | | | | | |
| 12 | | | | | | | | | |
| 13 | | | | | | | | | |
| 14 | | | | | | | | | |
| 15 | | | | | | | | | |
| 16 | | | | | | | | | |
| 17 | | | | | | | | | |
| 18 | | | | | | | | | |
| 19 | | | | | | | | | |
| 20 | | | | | | | | | |
| 21 | | | | | | | | | |
| 22 | | | | | | | | | |
| 23 | | | | | | | | | |
| 24 | | | | | | | | | |
| 25 | | | | | | | | | |
| 26 | | | | | | | | | |
| 27 | | | | | | | | | |
| 28 | | | | | | | | | |
| 29 | | | | | | | | | |
| 30 | | | | | | | | | |
| 31 | | | | | | | | | |
| 32 | | | | | | | | | |
| 33 | | | | | | | | | |
| 34 | | | | | | | | | |
| 35 | | | | | | | | | |
| 36 | | | | | | | | | |
| 37 | | | | | | | | | |
| 38 | | | | | | | | | |
| 39 | | | | | | | | | |
| 40 | | | | | | | | | |
| 41 | | | | | | | | | |
| 42 | | | | | | | | | |
| 43 | | | | | | | | | |
| 44 | | | | | | | | | |
| 45 | | | | | | | | | |
| 46 | | | | | | | | | |
| 47 | | | | | | | | | |
| 48 | | | | | | | | | |
| 49 | | | | | | | | | |
| 50 | | | | | | | | | |
| 51 | | | | | | | | | |
| 52 | | | | | | | | | |
| 53 | | | | | | | | | |
| 54 | | | | | | | | | |
| 55 | | | | | | | | | |
| 56 | | | | | | | | | |
| 57 | | | | | | | | | |
| 58 | | | | | | | | | |
| 59 | | | | | | | | | |
| 60 | | | | | | | | | |
| 61 | | | | | | | | | |
| 62 | | | | | | | | | |
| 63 | | | | | | | | | |
| 64 | | | | | | | | | |
| 65 | | | | | | | | | |
| 66 | | | | | | | | | |
| 67 | | | | | | | | | |
| 68 | | | | | | | | | |
| 69 | | | | | | | | | |
| 70 | | | | | | | | | |
| 71 | | | | | | | | | |
| 72 | | | | | | | | | |
| 73 | | | | | | | | | |
| 74 | | | | | | | | | |
| 75 | | | | | | | | | |
| 76 | | | | | | | | | |
| 77 | | | | | | | | | |
| 78 | | | | | | | | | |
| 79 | | | | | | | | | |
| 80 | | | | | | | | | |
| 81 | | | | | | | | | |
| 82 | | | | | | | | | |
| 83 | | | | | | | | | |
| 84 | | | | | | | | | |
| 85 | | | | | | | | | |
| 86 | | | | | | | | | |
| 87 | | | | | | | | | |
| 88 | | | | | | | | | |
| 89 | | | | | | | | | |
| 90 | | | | | | | | | |
| 91 | | | | | | | | | |
| 92 | | | | | | | | | |
| 93 | | | | | | | | | |
| 94 | | | | | | | | | |
| 95 | | | | | | | | | |
| 96 | | | | | | | | | |
| 97 | | | | | | | | | |
| 98 | | | | | | | | | |
| 99 | | | | | | | | | |
| 100 | | | | | | | | | |

34.5KV LINE OF SAMPA



VOLTA RIVER AUTHORITY
NORTHERN ELECTRICITY DEPARTMENT
SINGEL LINE DIAGRAM FOR DORMAA OPERATIONAL STATION

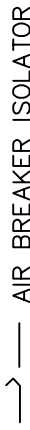
LEGEND



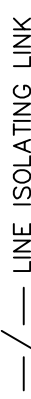
TRANSFORMER



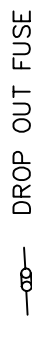
LIGHTNING ARRESTOR



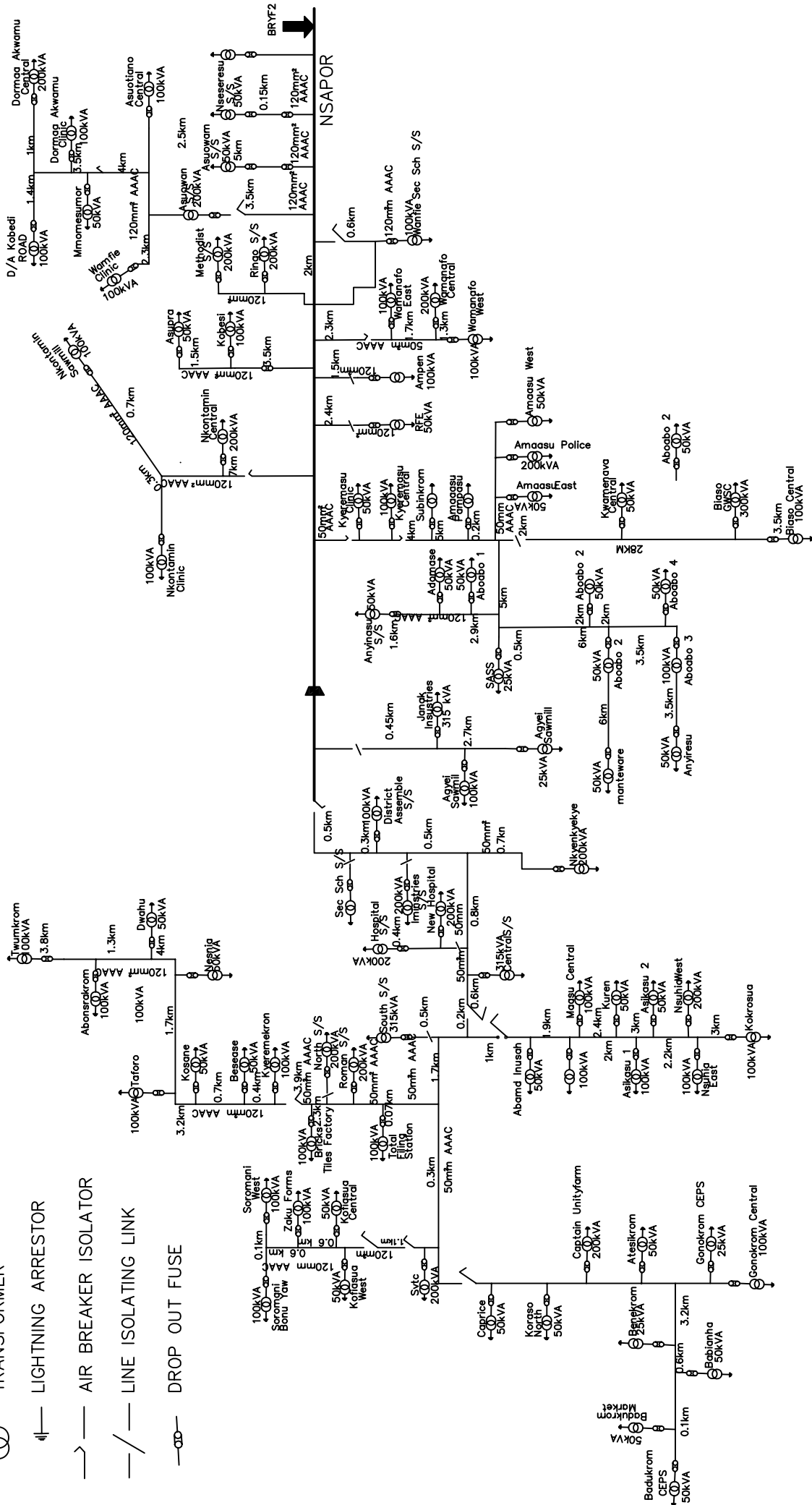
AIR BREAKER ISOLATOR



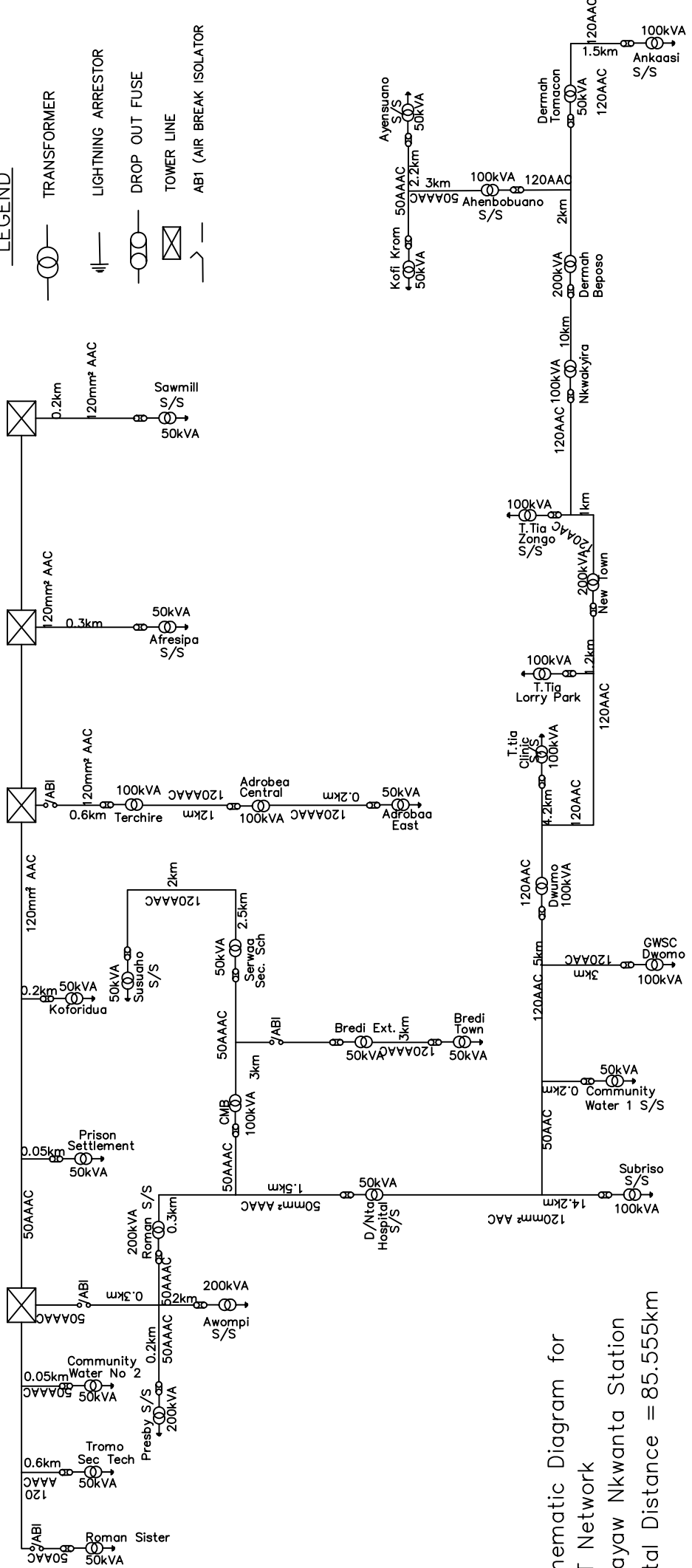
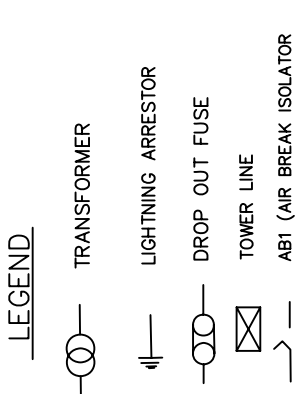
LINE ISOLATING LINK



DROP OUT FUSE

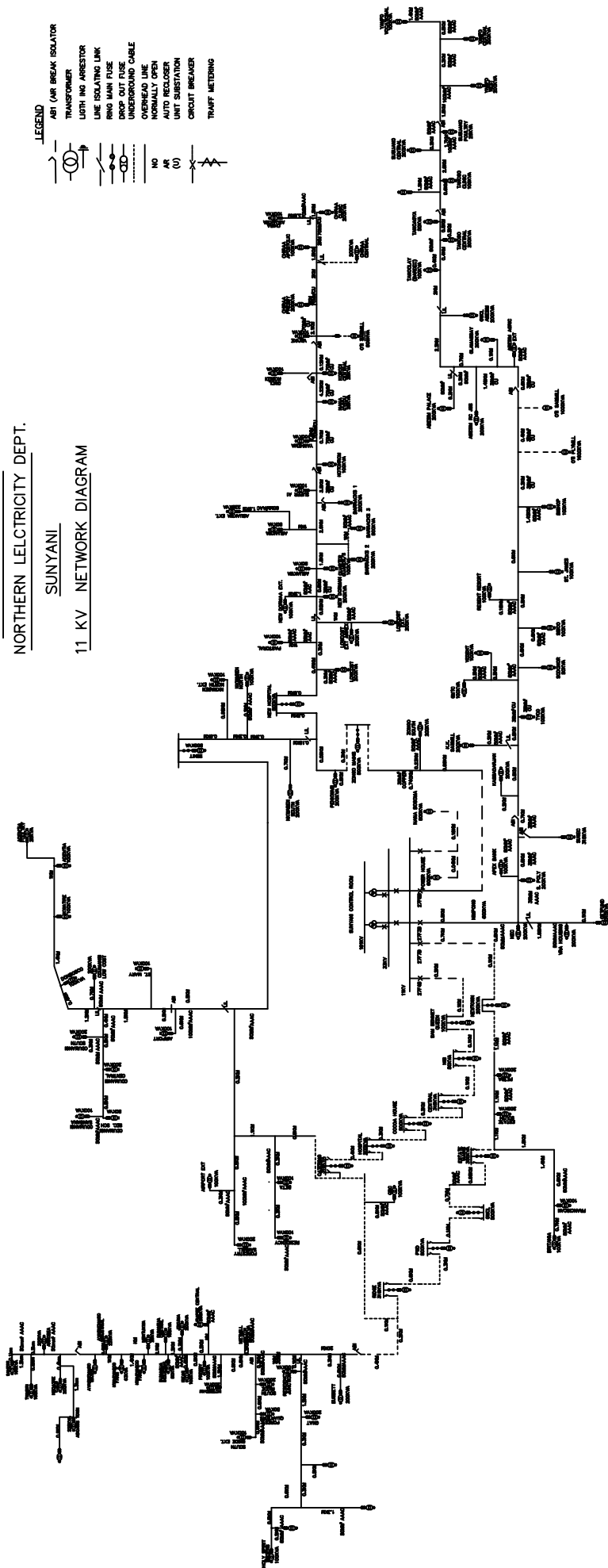
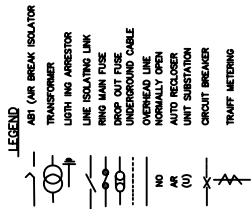


DUAYAW NKWANTA (34.5KM LINE)



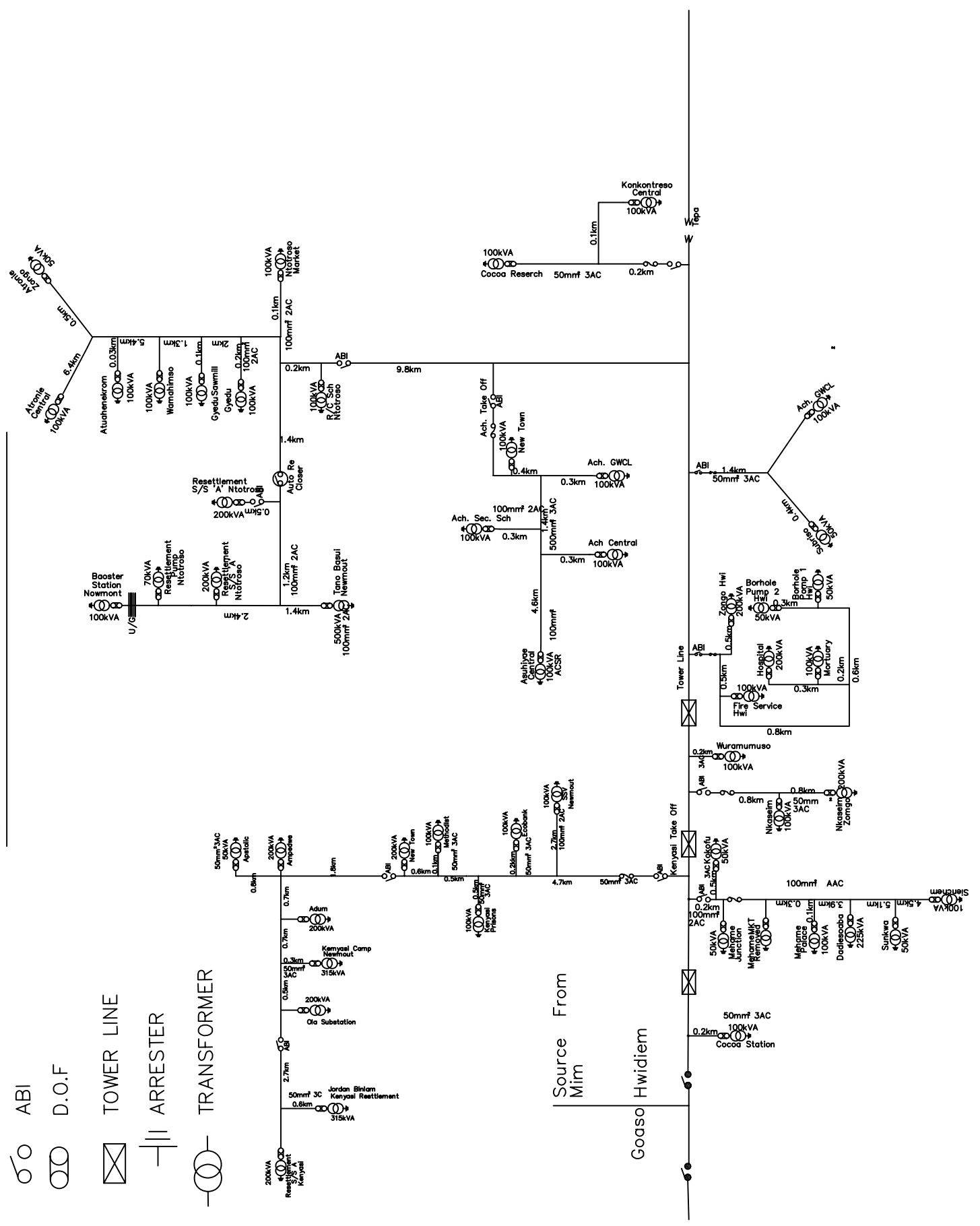
Schematic Diagram for
H.T Network
Duayaw Nkwanta Station
Total Distance = 85.555km

VOLTA RIVER AUTHORITY
 NORTHERN ELECTRICITY DEPT.
SUNYANI
 11 KV NETWORK DIAGRAM

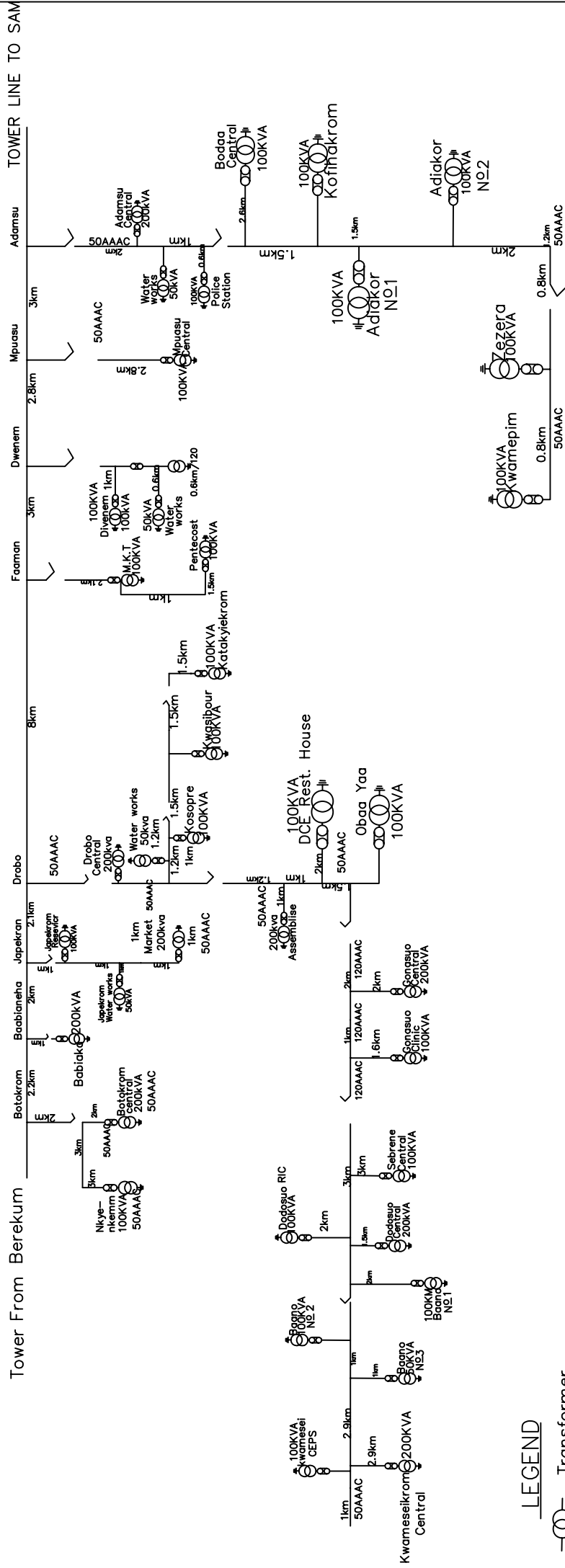


HWIDIEM STATION LAYOUT

- LEGEND**
- ABI
 - D.O.F
 - ⊠ TOWER LINE
 - ⊏ ARRESTER
 - ⊚ TRANSFORMER



SINGLE LINE DIAGRAM FOR DROBO-OPERATIONAL STATION

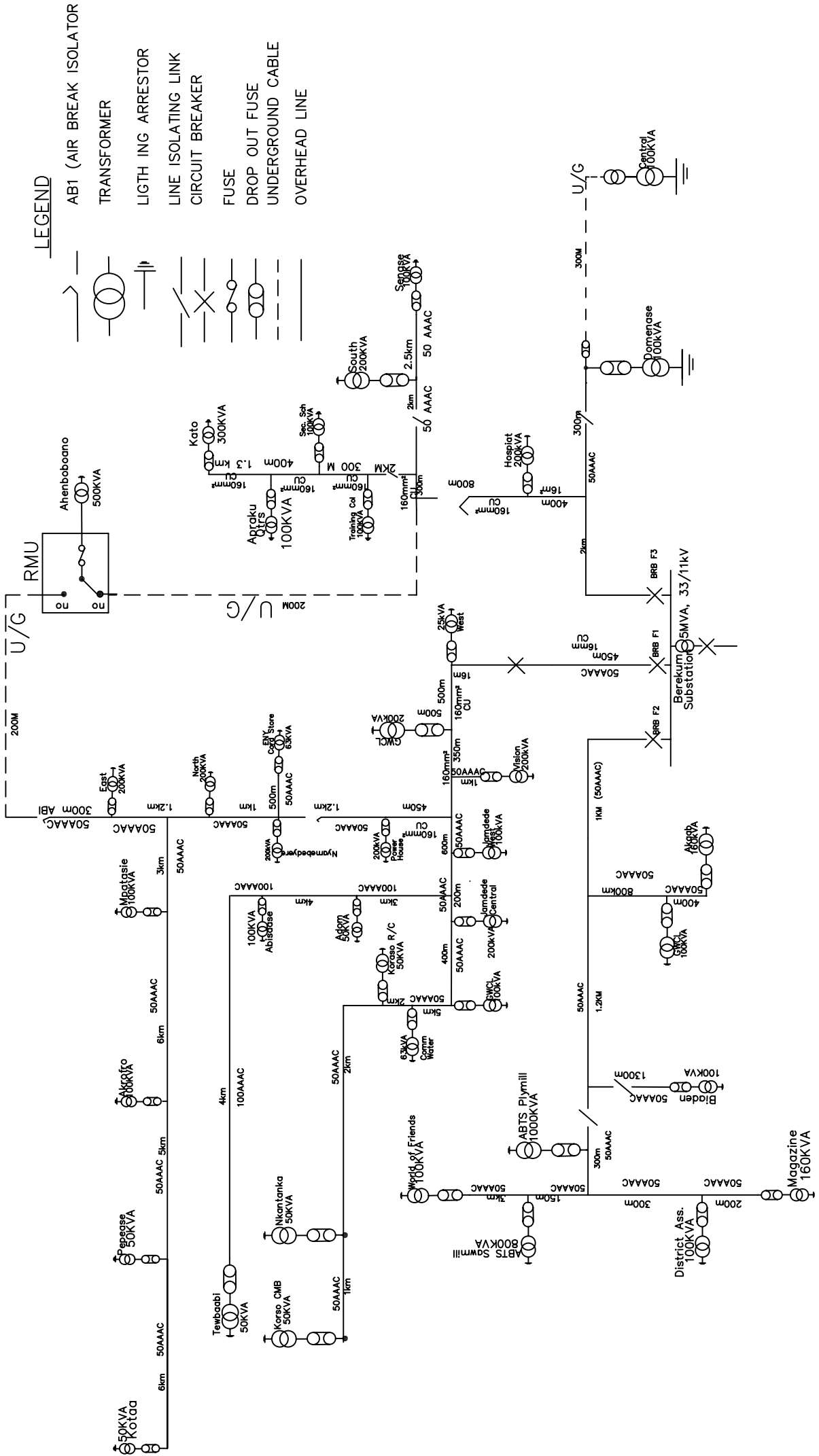


NOTE: TOTAL LENGTH (HV)=59.3km
 -50A AAC=52.1(kms)
 -120A AAC=7.2(kms)

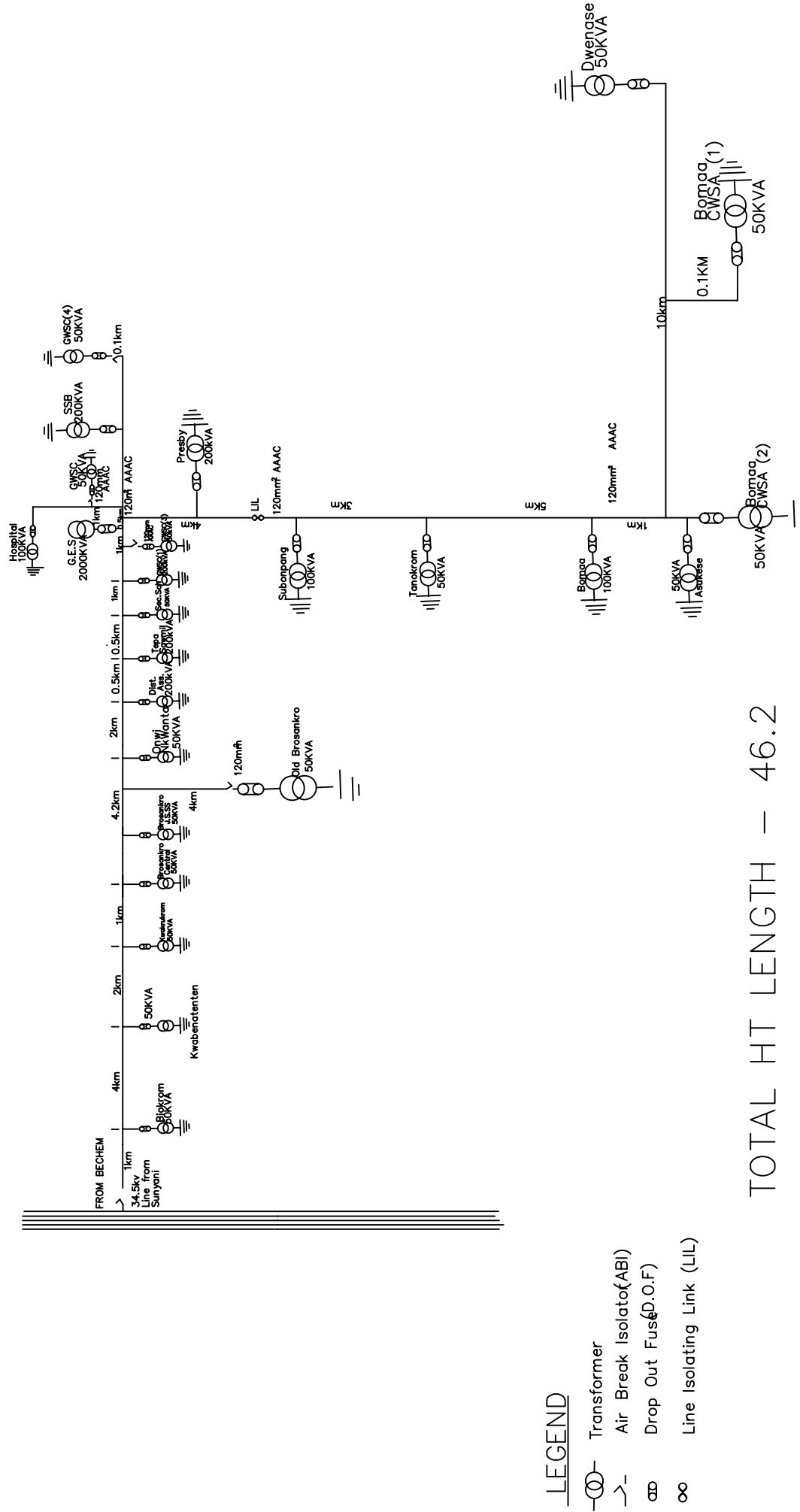
LEGEND

- Transformer
- Air Break Isolator(ABI)
- Drop Out Fuse(D.O.F)

11kV NETWORK FOR BEREKUM



HIGH TENSION LINE DIAGRAM FOR TEPA OPERATIONAL STATION

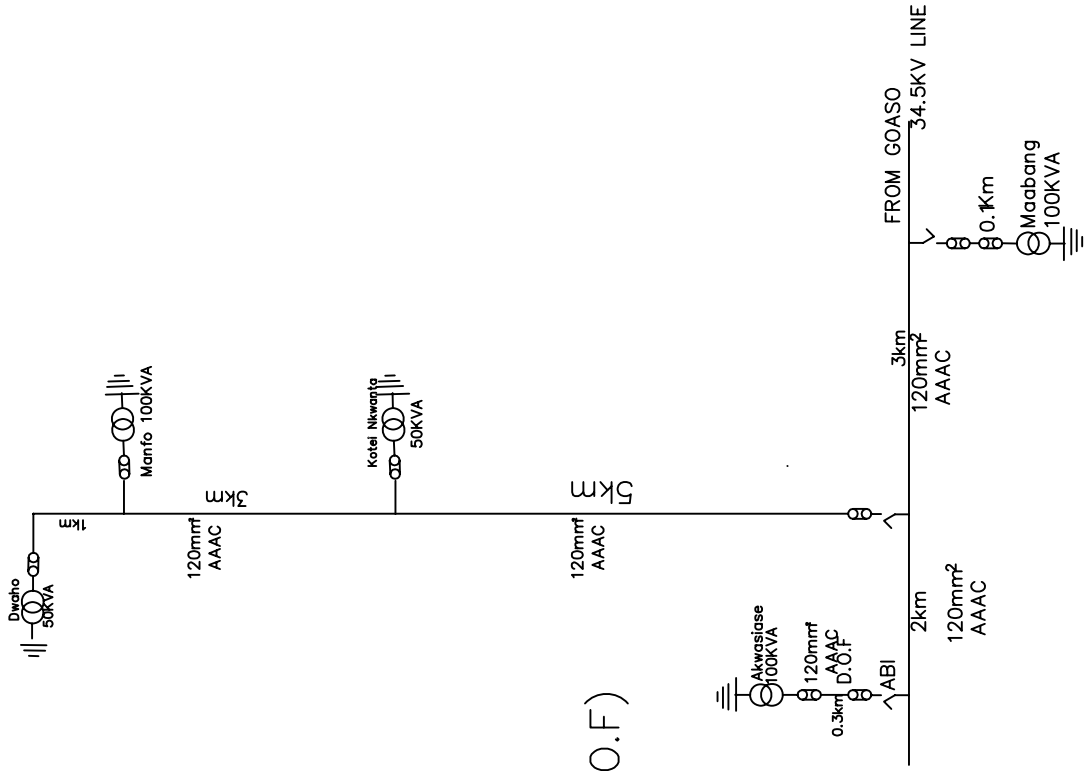


LEGEND

- Transformer
- △ Air Break Isolato(ABI)
- ⊞ Drop Out Fus(D.O.F)
- ∞ Line Isolating Link (LIL)

TOTAL HT LENGTH – 46.2

HT LINE DIAGRAM FOR TEPA OPERATIONAL ST



LEGEND

—○— Transformer

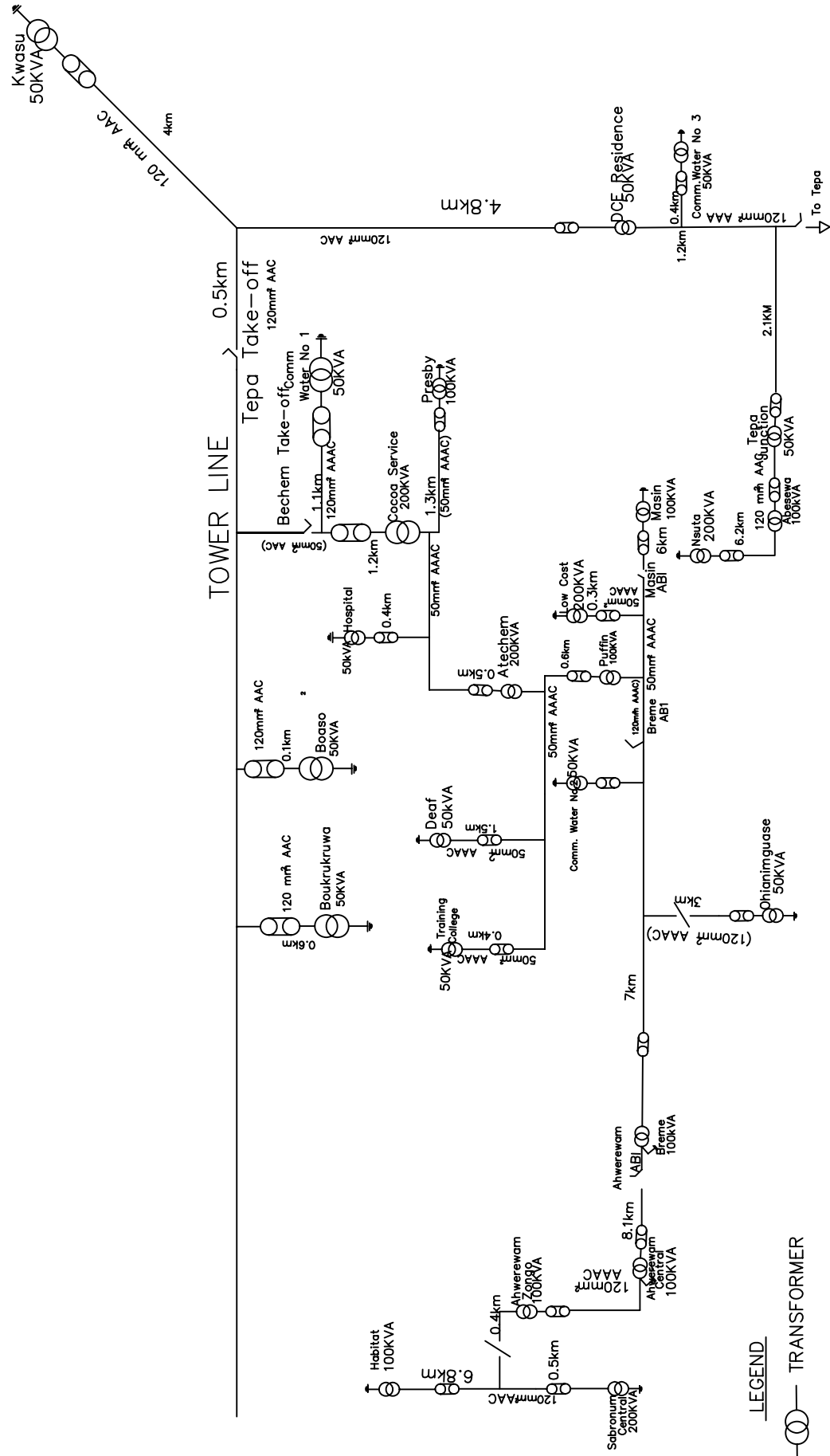
↘- ABI

∞ Drop Out Fuse (D.O.F)

∞ LIL

TOTAL HT LENGTH – 14.4

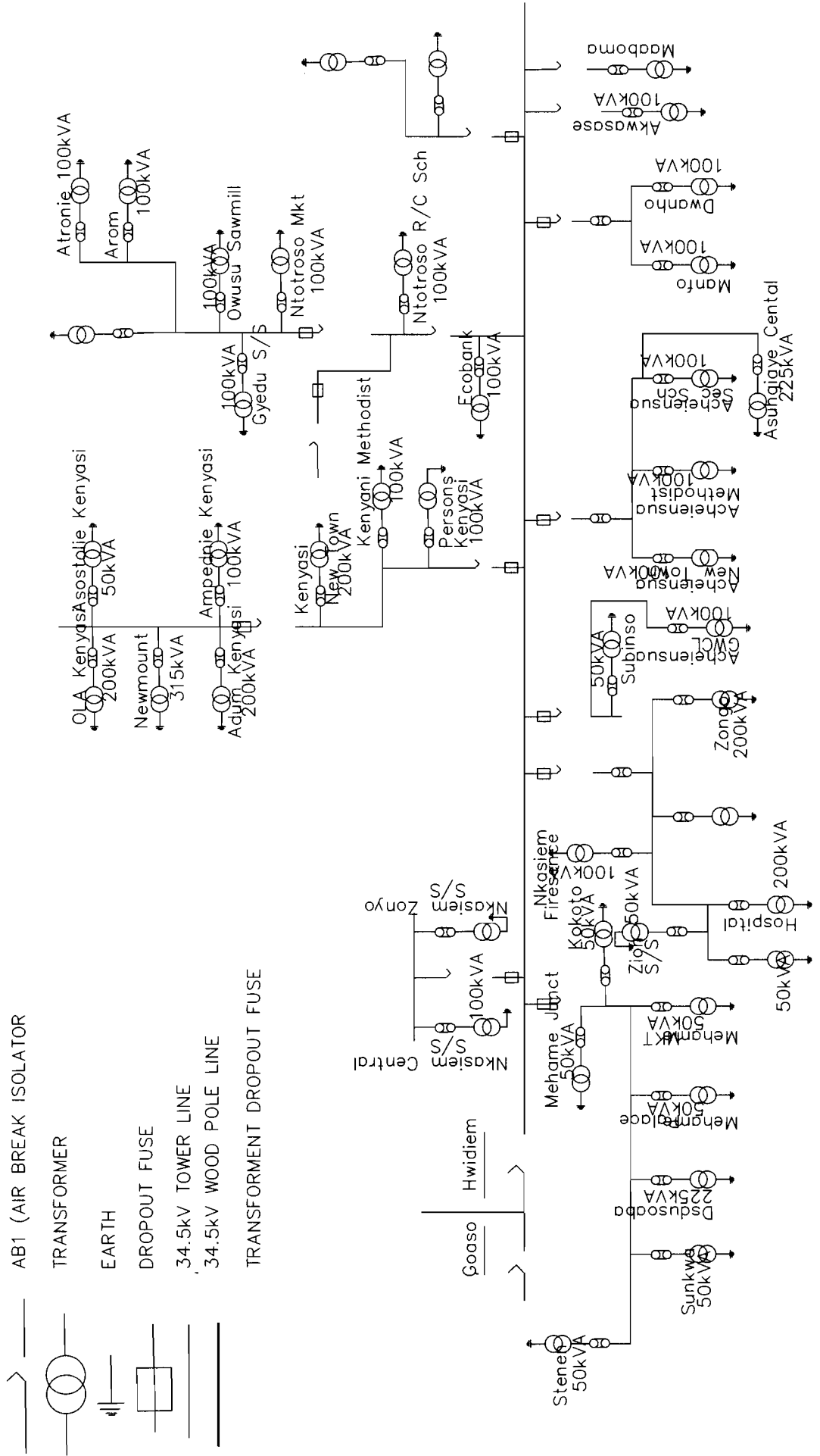
SINGLE LINE DIAGRAM FOR BECHEM OPERATING AREA



- LEGEND**
- TRANSFORMER
 - LIGHTNING ARRESTOR
 - AIR BREAKER ISOLATOR
 - LINE ISOLATING LINK
 - DROP OUT FUSE

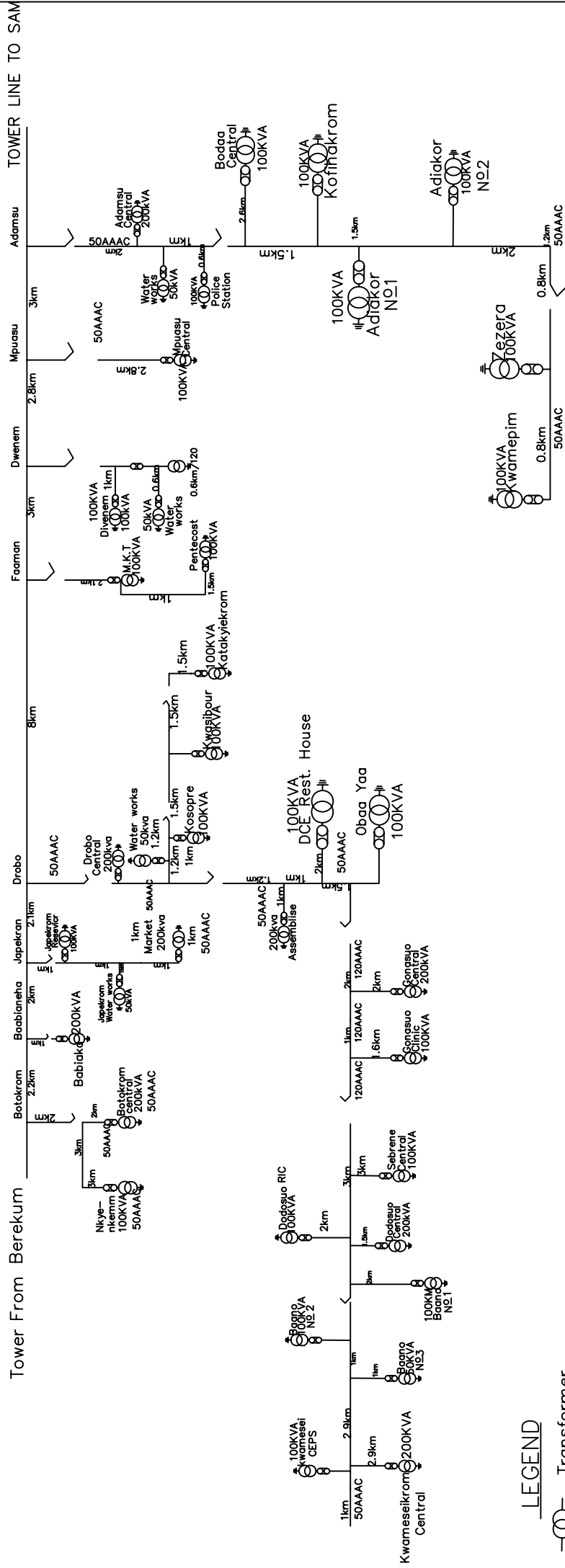
NB: Total Distance = 57.8km
 Cable Size 50mm² AAAC = 7.8km
 Cable Size 120 mm AAC = 50km

— LINE DIAGRAM FOR HWIDIEM OPERATING AREA



- AB1 (AIR BREAK ISOLATOR)
- TRANSFORMER
- EARTH
- DROPOUT FUSE
- 34.5kV TOWER LINE
- 34.5kV WOOD POLE LINE
- TRANSFORMER DROPOUT FUSE

SINGLE LINE DIAGRAM FOR DROBO-OPERATIONAL STATION



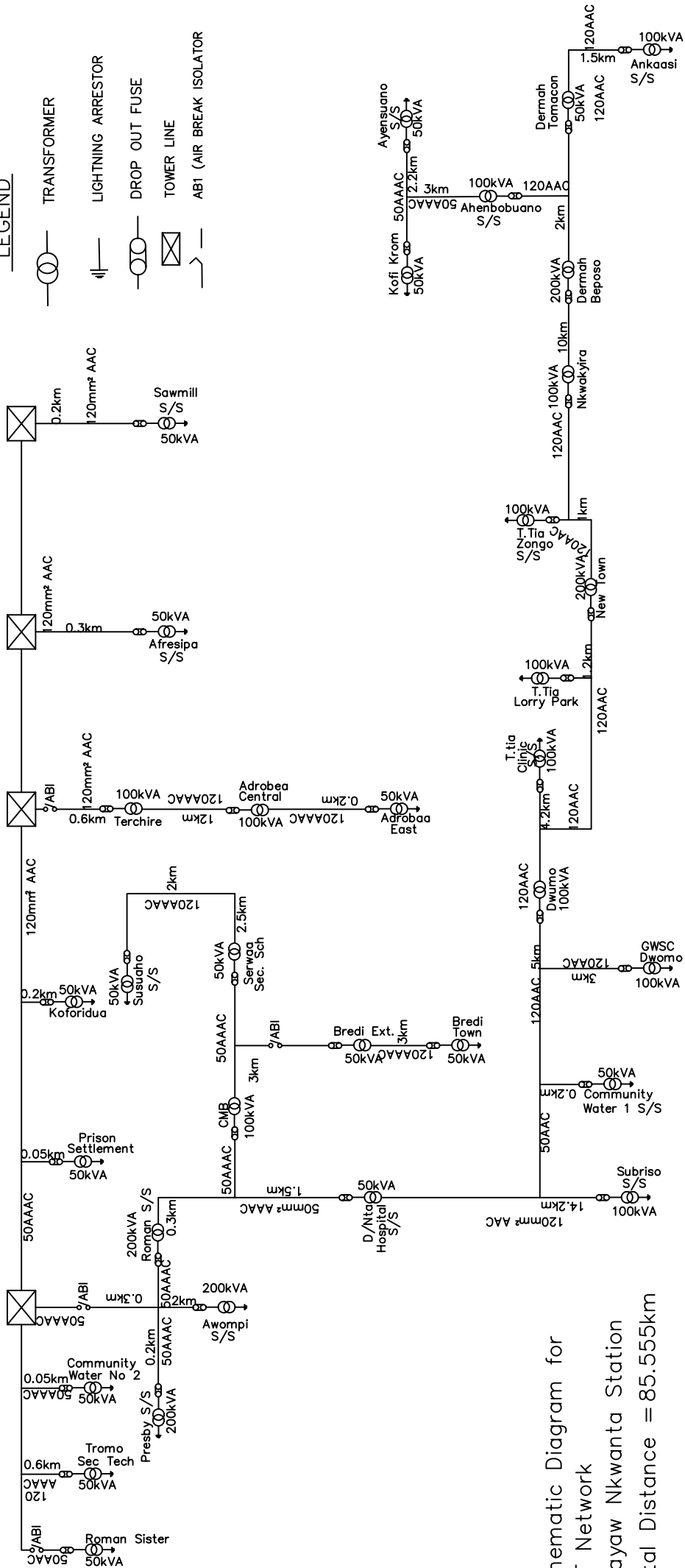
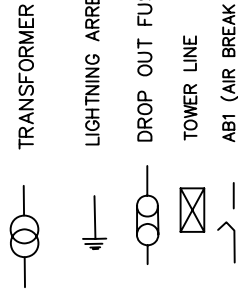
NOTE: TOTAL LENGTH (HV)=59.3km
 -50AAAC=52.1(kms)
 -120AAAC=7.2(kms)

LEGEND

- Transformer
- Air Break Isolator(ABI)
- Drop Out Fuse(D.O.F)

DUAYAW NKWANTA (34.5KM LINE)

LEGEND



Schematic Diagram for

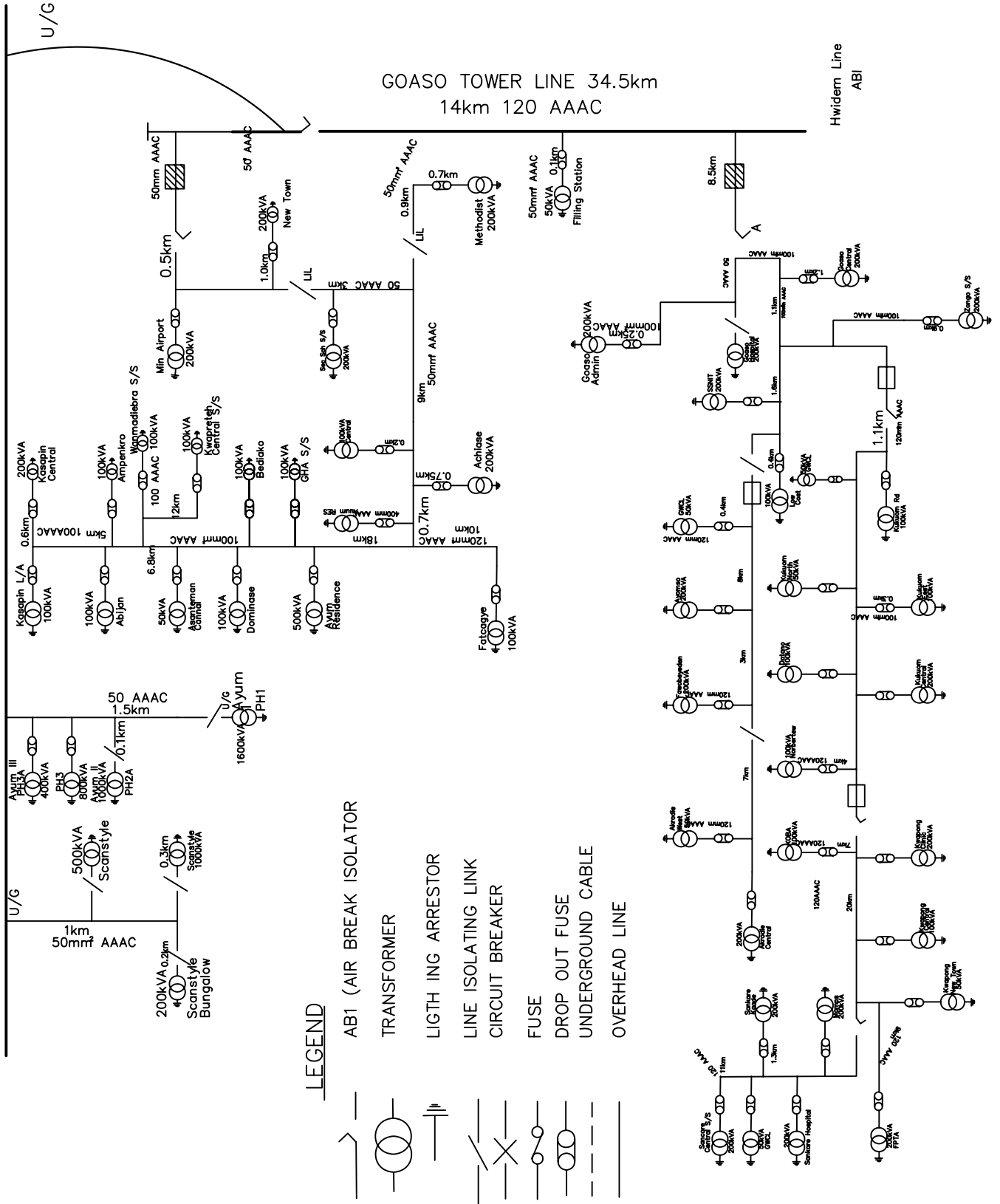
H.T Network

Duayaw Nkwanta Station

Total Distance = 85.555km

SINGLE LINE DIAGRAM FOR MIN, GOASO AREA

MIM 34.5 KV MAIN BUS BAR



LEGEND

- AB1 (AIR BREAK ISOLATOR)
- TRANSFORMER
- LIGHTNING ARRESTER
- LINE ISOLATING LINK
- CIRCUIT BREAKER
- FUSE
- DROP OUT FUSE
- UNDERGROUND CABLE
- OVERHEAD LINE

— LINE DIAGRAM FOR HWDIEM OPERATING AREA

AB1 (AIR BREAK ISOLATOR)

TRANSFORMER

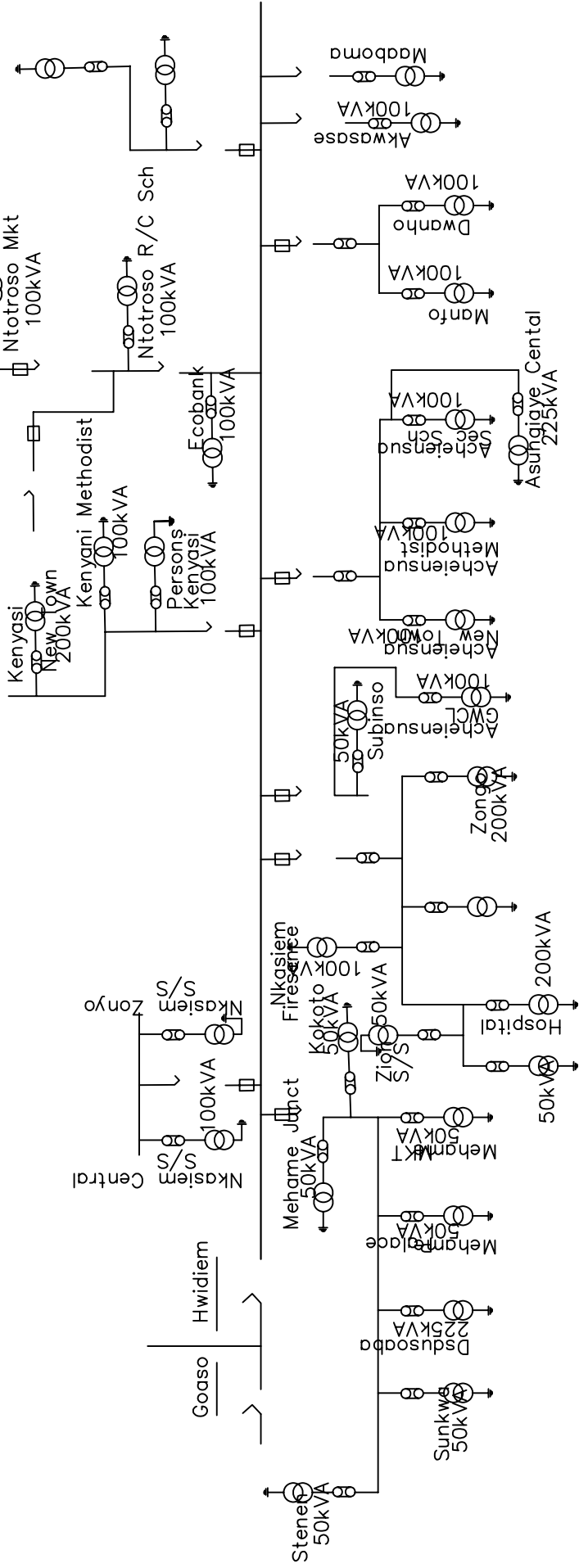
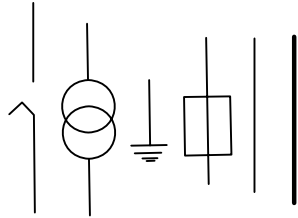
EARTH

DROPOUT FUSE

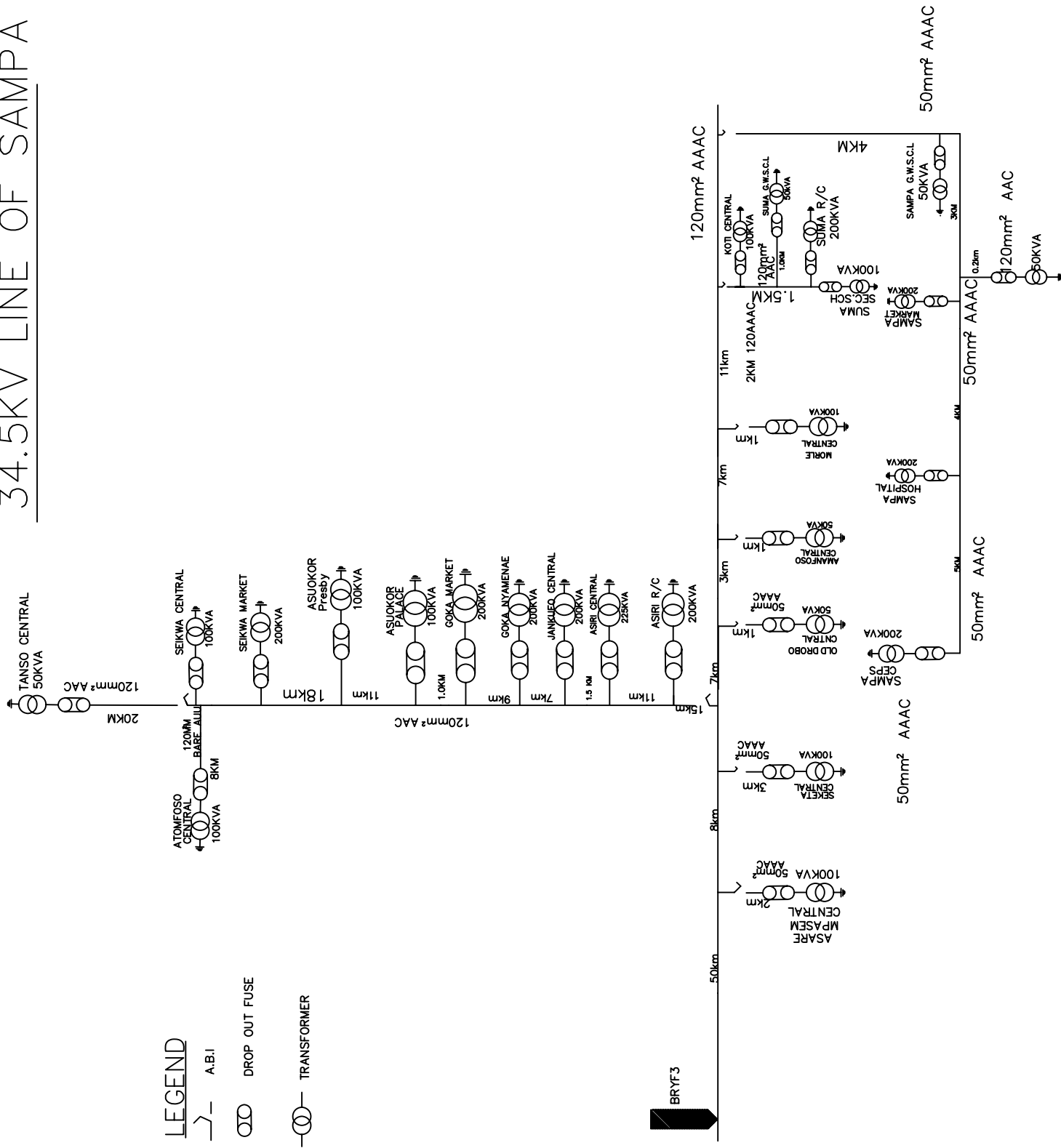
34.5kV TOWER LINE

34.5kV WOOD POLE LINE

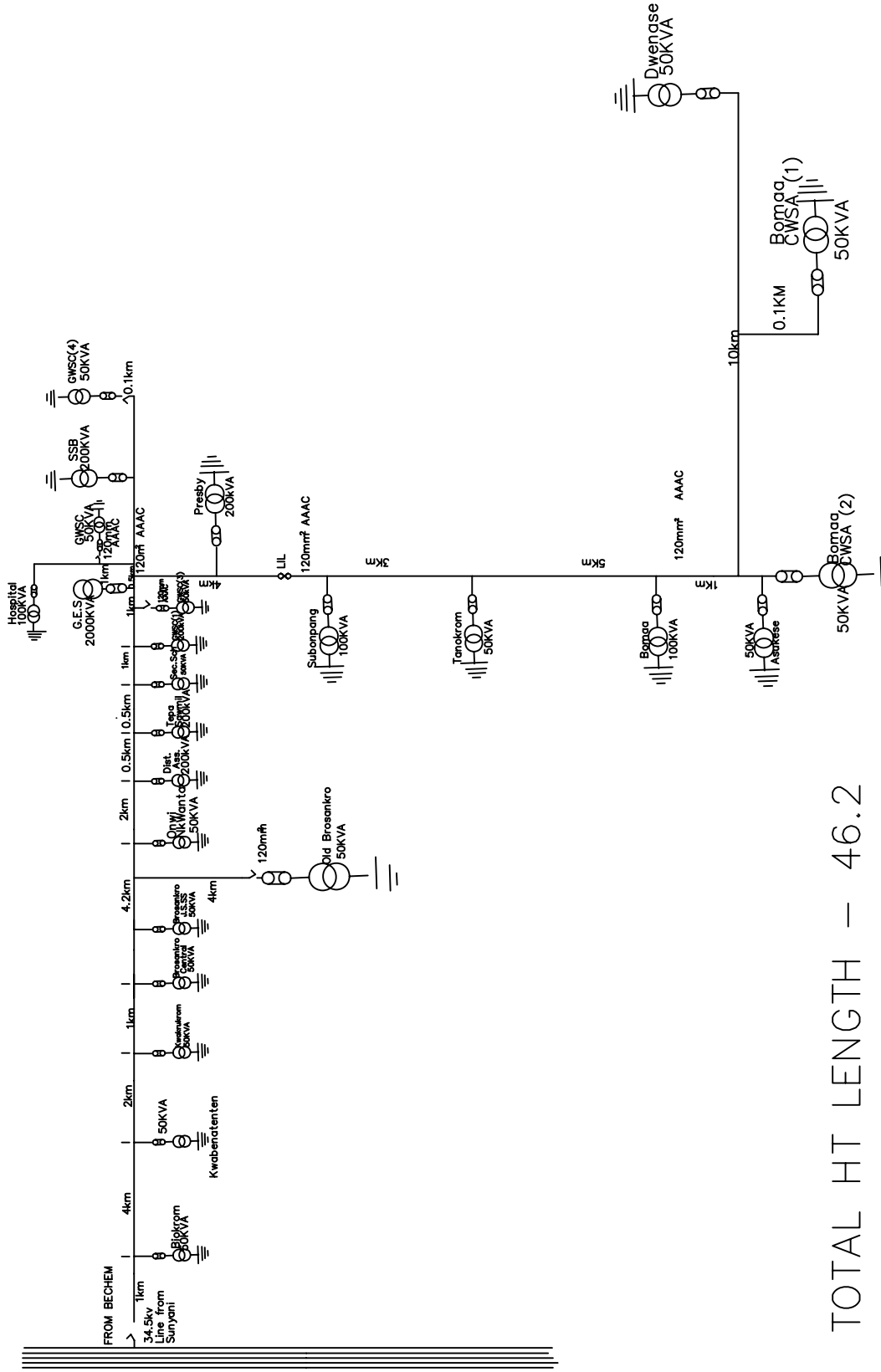
TRANSFORMER DROPOUT FUSE



34.5KV LINE OF SAMPA



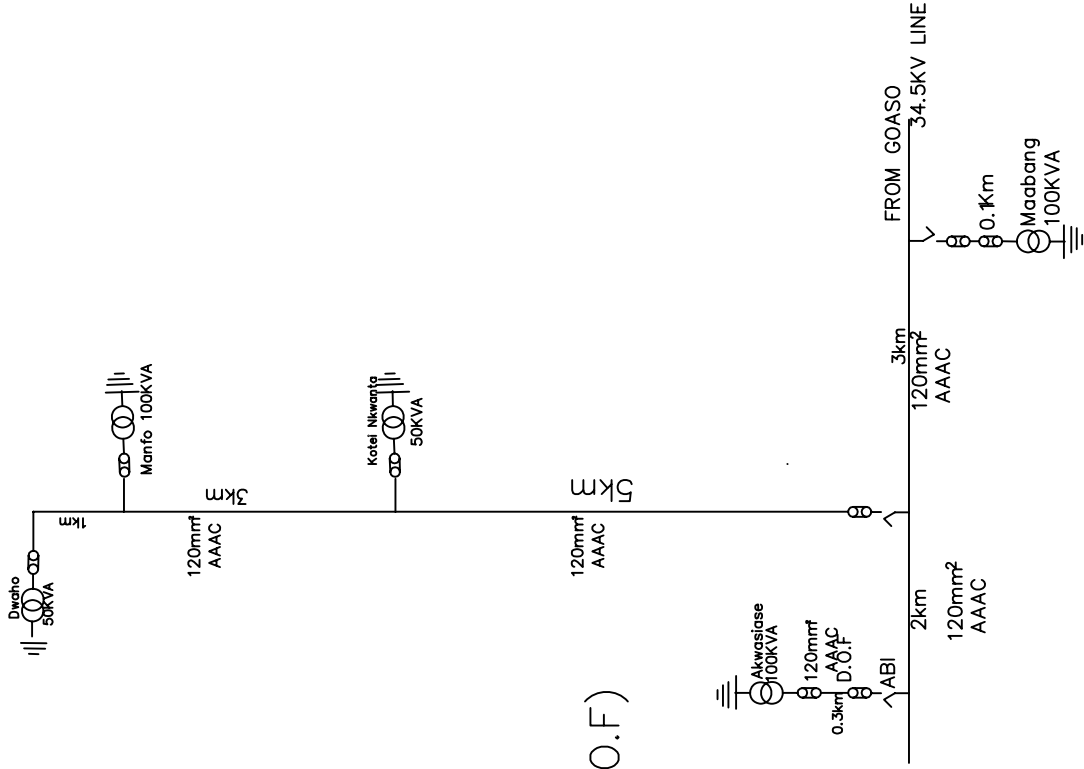
HIGH TENSION LINE DIAGRAM FOR TEPA OPERATIONAL STATION



- LEGEND**
- Transformer
 - Air Break Isolato(ABI)
 - Drop Out Fus(D.O.F)
 - Line Isolating Link (LIL)

TOTAL HT LENGTH – 46.2

HT LINE DIAGRAM FOR TEPA OPERATIONAL ST



LEGEND

—○— Transformer

↘- ABI

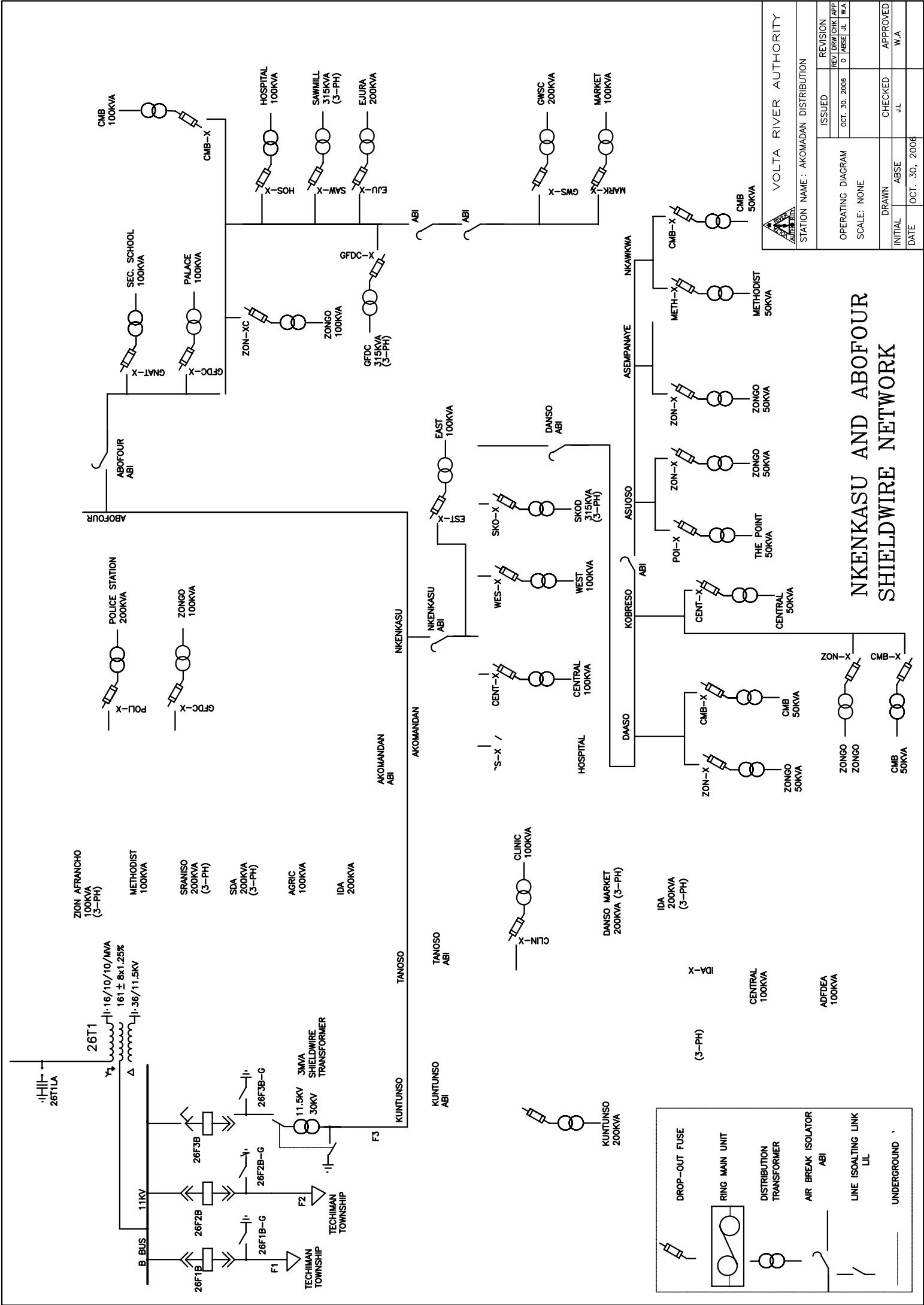
∞ Drop Out Fuse (D.O.F)

∞ LIL

TOTAL HT LENGTH – 14.4

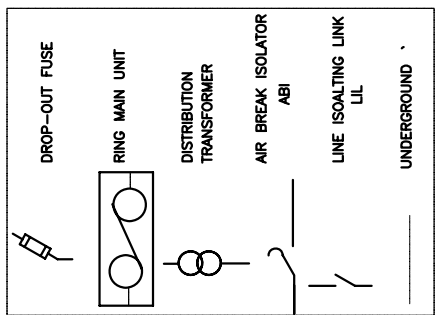
Single Line Diagram

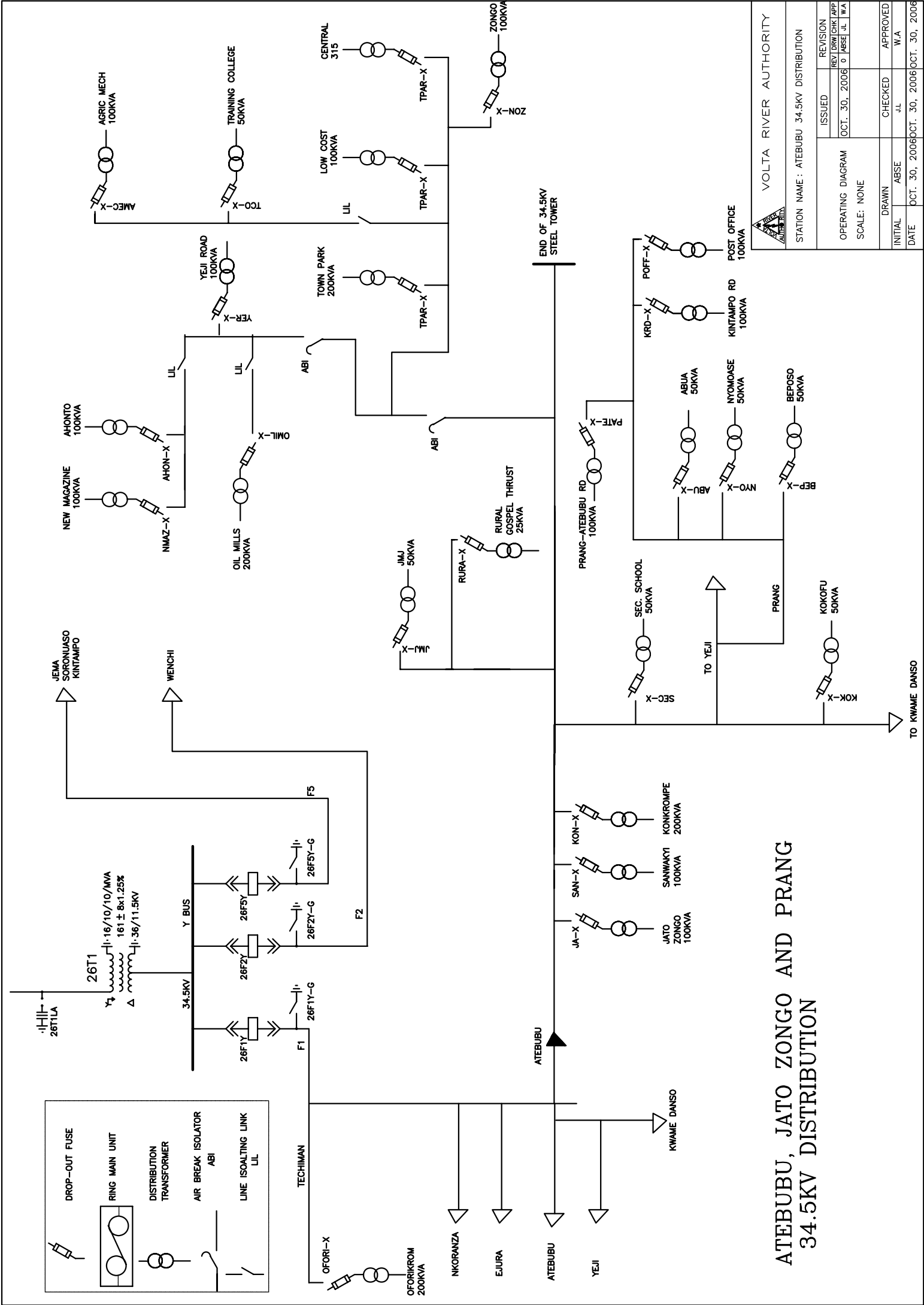
Techiman



| | | | |
|-------------------|---------------|---------------------------------------|--------------|
| | | VOLTA RIVER AUTHORITY | |
| | | STATION NAME : AKOMANDAN DISTRIBUTION | |
| ISSUED | REVISION | REST DRW/CRK/APP | |
| OPERATING DIAGRAM | OCT. 30. 2006 | 0 | MBSF JL 1 WA |
| SCALE: NONE | | CHECKED | APPROVED |
| DRAWN | ABSE | J.L. | W.A. |
| DATE | OCT. 30. 2006 | | |

NKENKASU AND ABOFOUR SHIELDWIRE NETWORK





VOLTA RIVER AUTHORITY

STATION NAME : ATEBUBU 34.5KV DISTRIBUTION

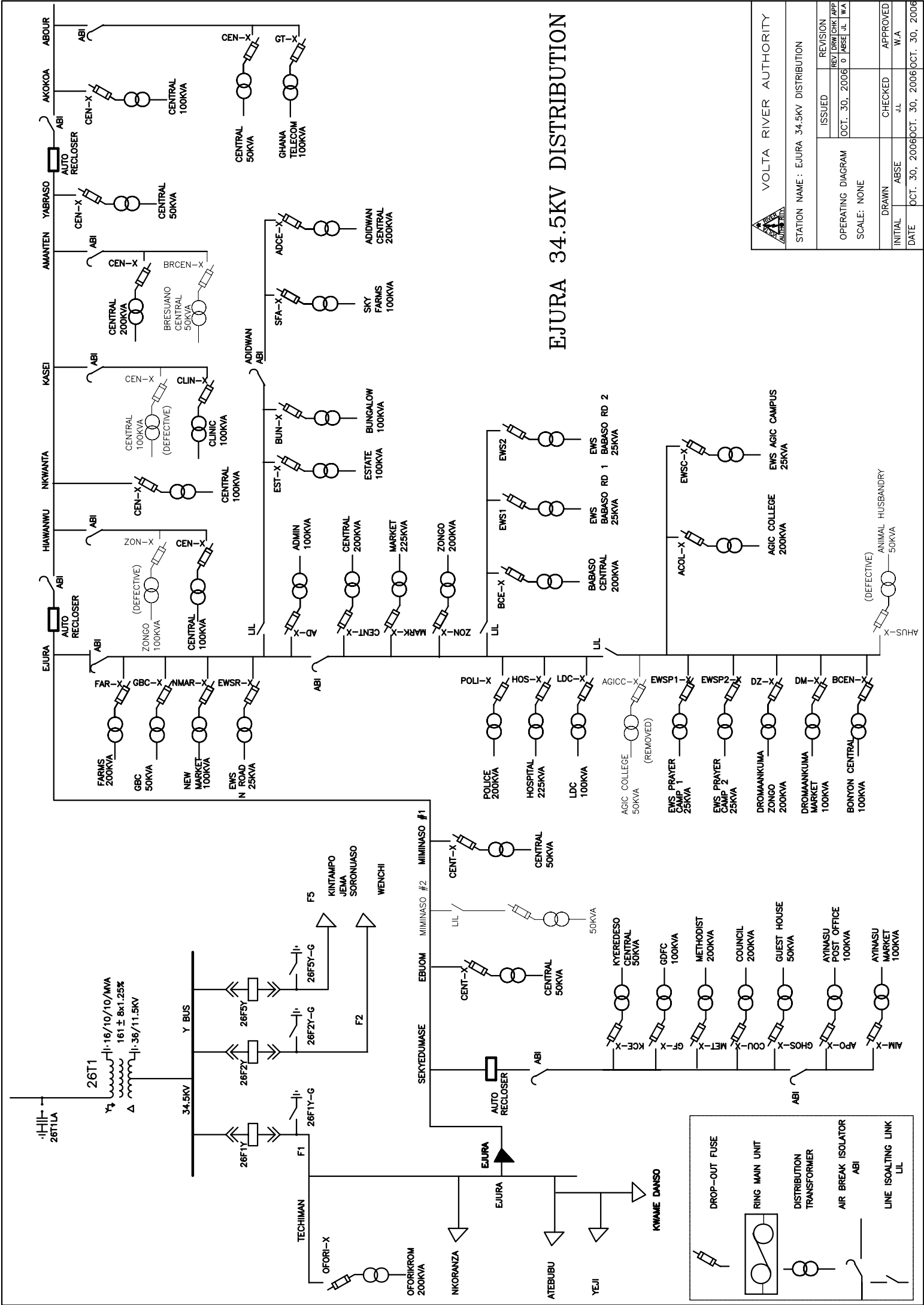
| ISSUED | REVISION |
|---------------|------------------|
| OCT. 30, 2006 | REV'DR/W/CRK/APP |
| | 07/MSF/JL/WA |

OPERATING DIAGRAM
SCALE: NONE

| INITIAL | DRAWN | CHECKED | APPROVED |
|---------|-------|---------|----------|
| | ABSE | JL | W.A |

DATE OCT. 30, 2006 OCT. 30, 2006

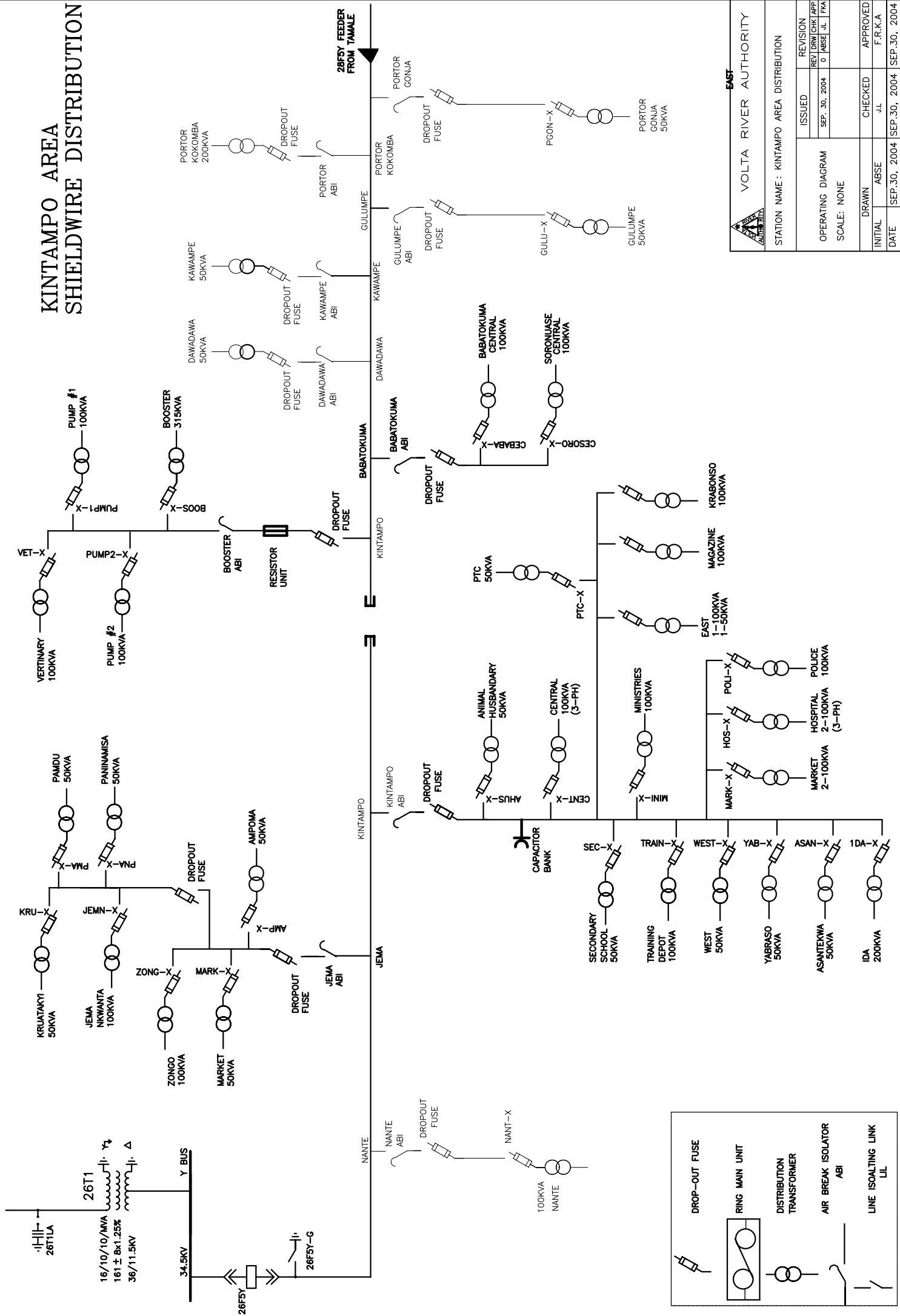
ATEBUBU, JATO ZONGO AND PRANG 34.5KV DISTRIBUTION



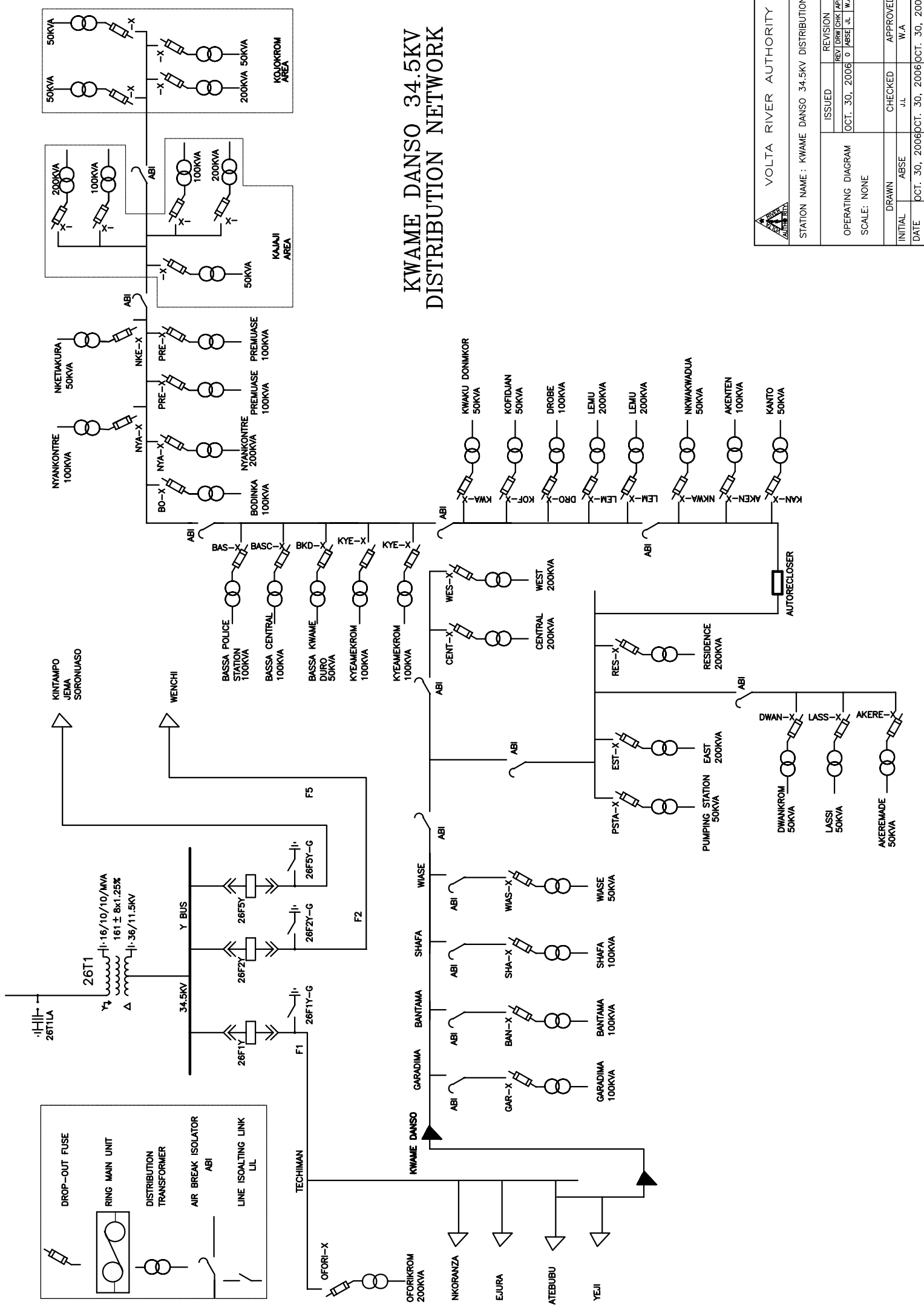
EJURA 34.5KV DISTRIBUTION

| | | | |
|---------------|----------------------------------|--|---------------|
| | | VOLTA RIVER AUTHORITY | |
| | | STATION NAME : EJURA 34.5KV DISTRIBUTION | |
| ISSUED | REVISION | OPERATING DIAGRAM SCALE: NONE | |
| OCT. 30, 2006 | REST/DRAW/CHK/APP 0/MSB/JL/WA | | |
| INITIAL | DRAWN | CHECKED | APPROVED |
| ABSE | JL | W.A. | W.A. |
| DATE | OCT. 30, 2006 | DATE | OCT. 30, 2006 |

KINTAMPO AREA SHIELDWIRE DISTRIBUTION



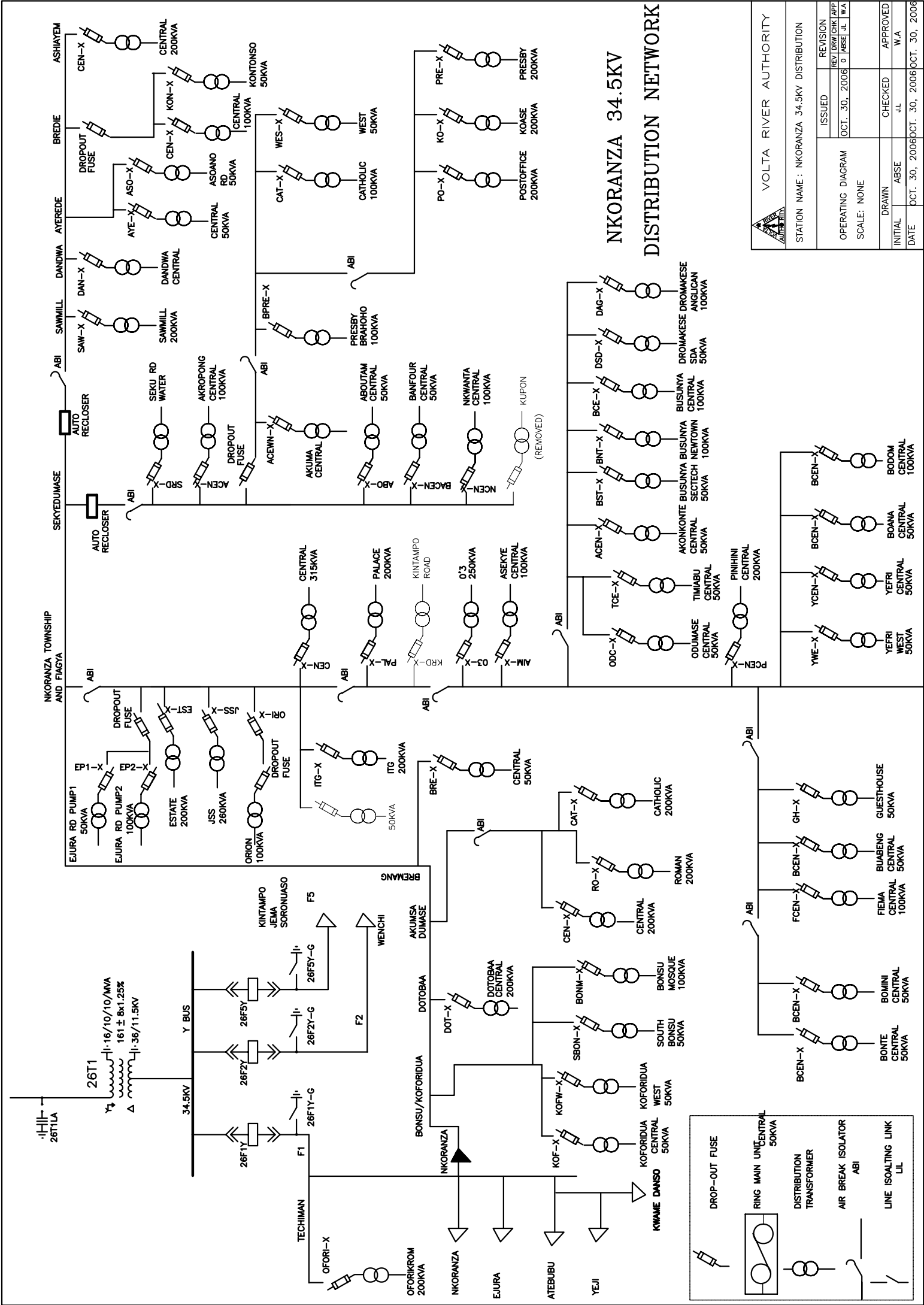
| | |
|---|--------------------------|
| EAST | |
| VOLTA RIVER AUTHORITY | |
| STATION NAME : KINTAMPO AREA DISTRIBUTION | |
| ISSUED | REVISION |
| SEP. 30, 2004 | REV. DRAWN/CHECKED/APP'D |
| OPERATING DIAGRAM | 0 / 0 / 0 |
| SCALE: NONE | |
| DRAWN | CHECKED |
| ABSE | J.L. |
| INITIAL | APPROVED |
| DATE | F.R.K.A |
| SEP. 30, 2004 | SEP. 30, 2004 |



KWAME DANSO 34.5KV DISTRIBUTION NETWORK

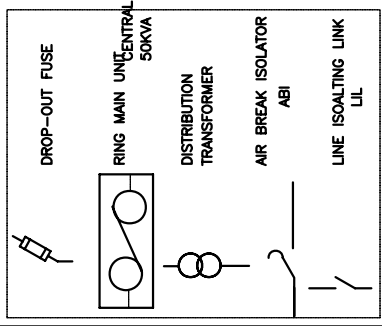


| | |
|--|-----------------------------------|
| VOLTA RIVER AUTHORITY | |
| STATION NAME : KWAME DANSO 34.5KV DISTRIBUTION | |
| ISSUED | REVISION |
| OCT. 30, 2006 | REV. DRW/CRK/APP O. MESH/UL/WA |
| OPERATING DIAGRAM | |
| SCALE: NONE | |
| DRAWN | CHECKED |
| ABSE | J.L. |
| INITIAL | APPROVED |
| DATE | W.A. |
| OCT. 30, 2006 | OCT. 30, 2006 |

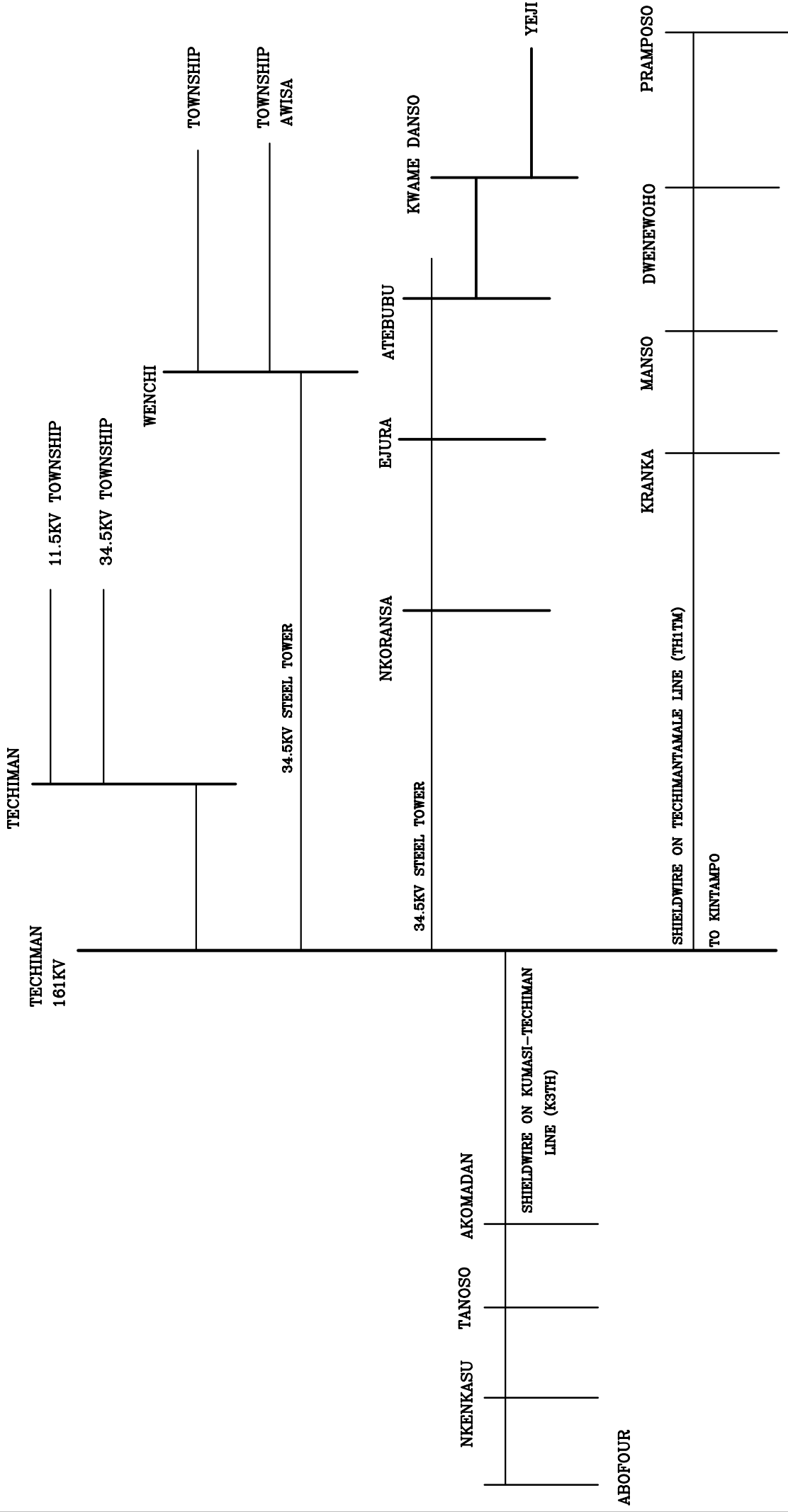


NKORANZA 34.5KV DISTRIBUTION NETWORK

| | | | |
|---|---------------|-----------------------|------|
| | | VOLTA RIVER AUTHORITY | |
| STATION NAME : NKORANZA 34.5KV DISTRIBUTION | | | |
| ISSUED | REVISION | APPROVED | W.A. |
| OCT. 30, 2006 | REV. 01 | J.L. | W.A. |
| OPERATING DIAGRAM | | | |
| SCALE: NONE | | | |
| DRAWN | CHECKED | APPROVED | |
| ABSE | J.L. | W.A. | |
| DATE | OCT. 30, 2006 | | |

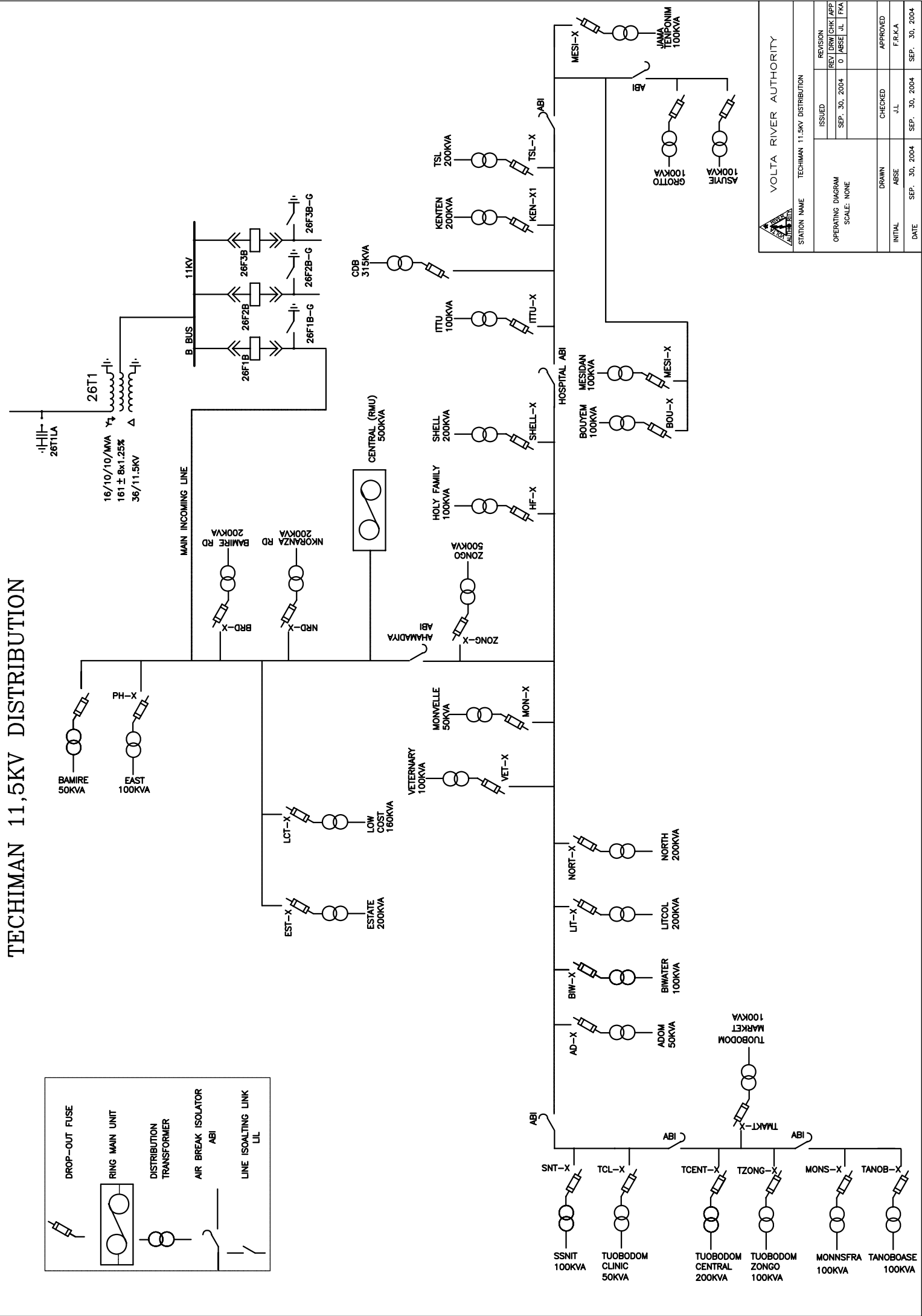


VOLTA RIVER AUTHORITY

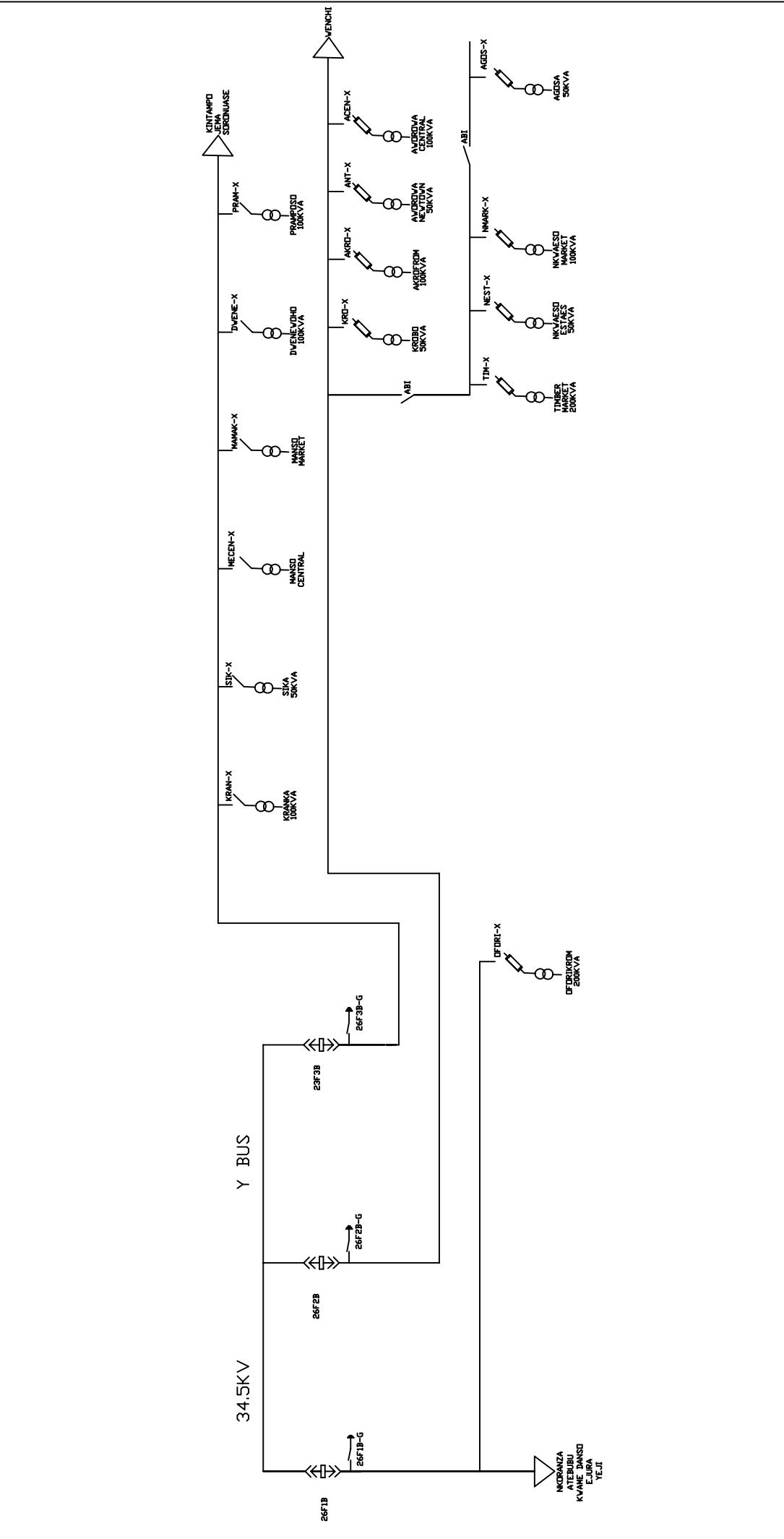


TECHIMAN AREA DISTRIBUTION NETWORK

TECHIMAN 11,5KV DISTRIBUTION

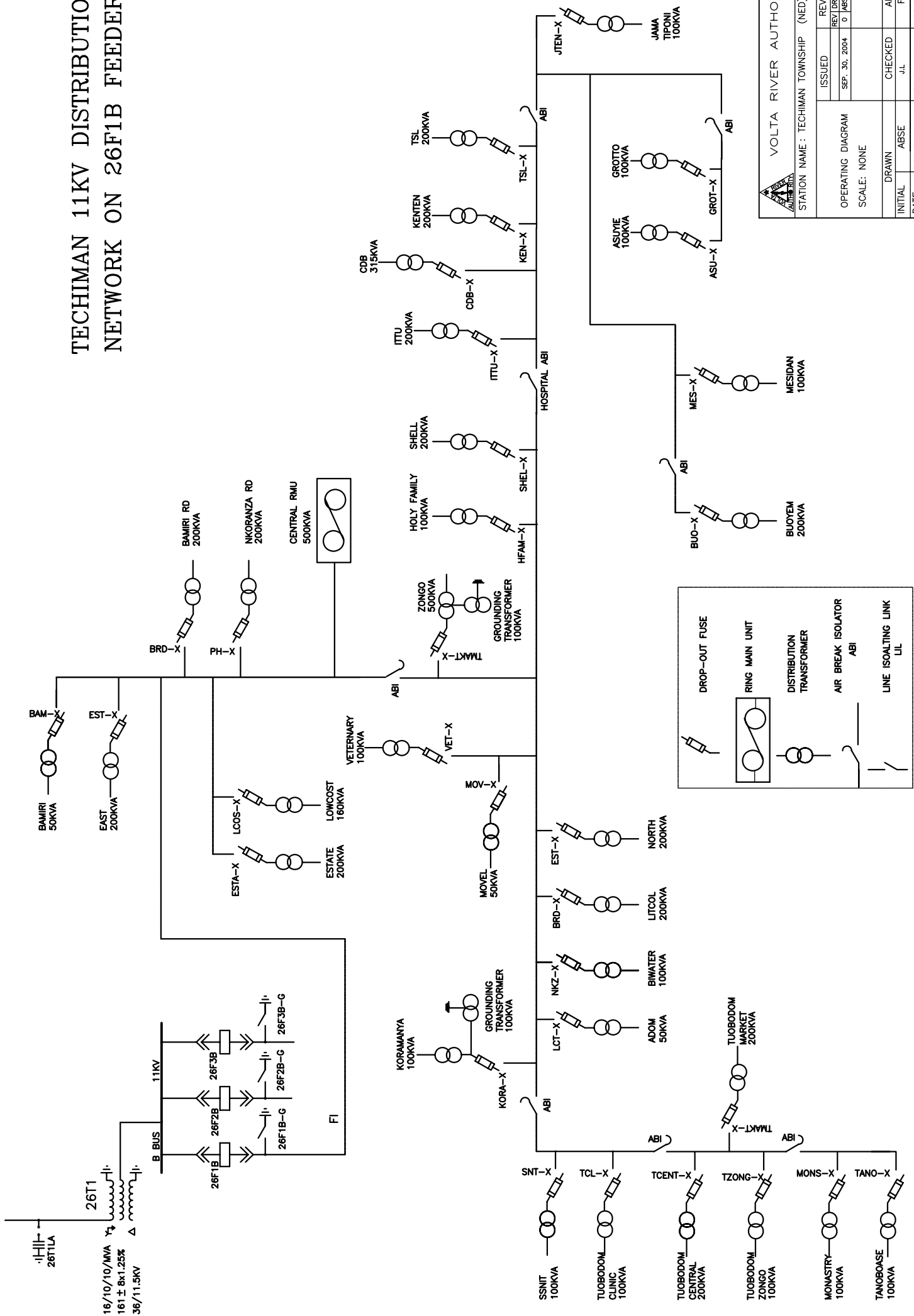


| | | | | | |
|-------------------|--|---------------|--|------------------------------|--|
| | | STATION NAME | | TECHIMAN 11.5KV DISTRIBUTION | |
| | | ISSUED | | REV. 0 | |
| OPERATING DIAGRAM | | SCALE: NONE | | DRAWN | |
| DATE | | SEP. 30, 2004 | | CHECKED | |
| INITIAL | | ABSE | | APPROVED | |
| DATE | | SEP. 30, 2004 | | F.R.K.A | |
| DATE | | SEP. 30, 2004 | | SEP. 30, 2004 | |



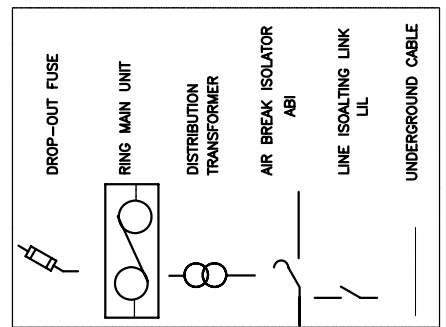
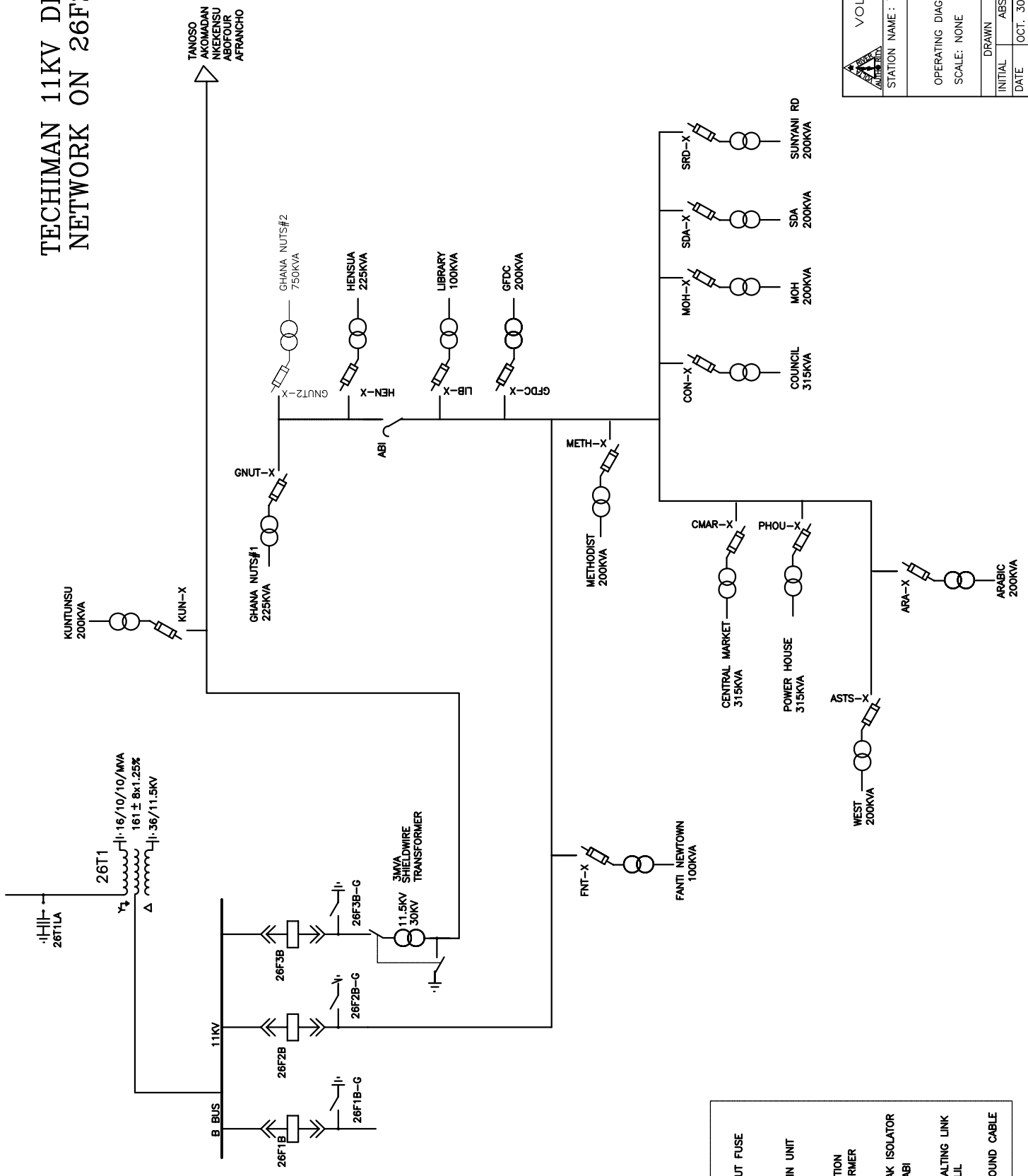
| | | | | | | | | | |
|---|------|-------------------|-----|------|-----|------------------|--------|--|--|
| VOLTA RIVER AUTHORITY \ | | | | | | | | | |
| NORTHERN ELECTRICITY DEPARTMENT. | | | | | | | | | |
| TECHIMAN | | | | | | | | | |
| 34.5KV NETWORK DIAGRAM | | | | | | | | | |
| 2006 | | | | | | | | | |
| | | SCALE | | DWG. | | REV | | | |
| | | NONE | | 002 | | 1 of 1 | | | |
| NO | DATE | REVISION | APP | APP | APP | REFERENCE NUMBER | NUMBER | | |
| | | | | | | | | | |
| | | | | | | | | | |
| | | | | | | | | | |
| | | APPROVED BY | | | | DATE | | | |
| | | TECHNICAL MANAGER | | | | | | | |
| THIS DRAWING IS THE PROPERTY OF VOLTA RIVER AUTHORITY/AND IS NOT TO BE COPIED OR USED WITHOUT ITS WRITTEN PERMISSION. | | | | | | | | | |

TECHIMAN 11KV DISTRIBUTION NETWORK ON 26F1B FEEDER

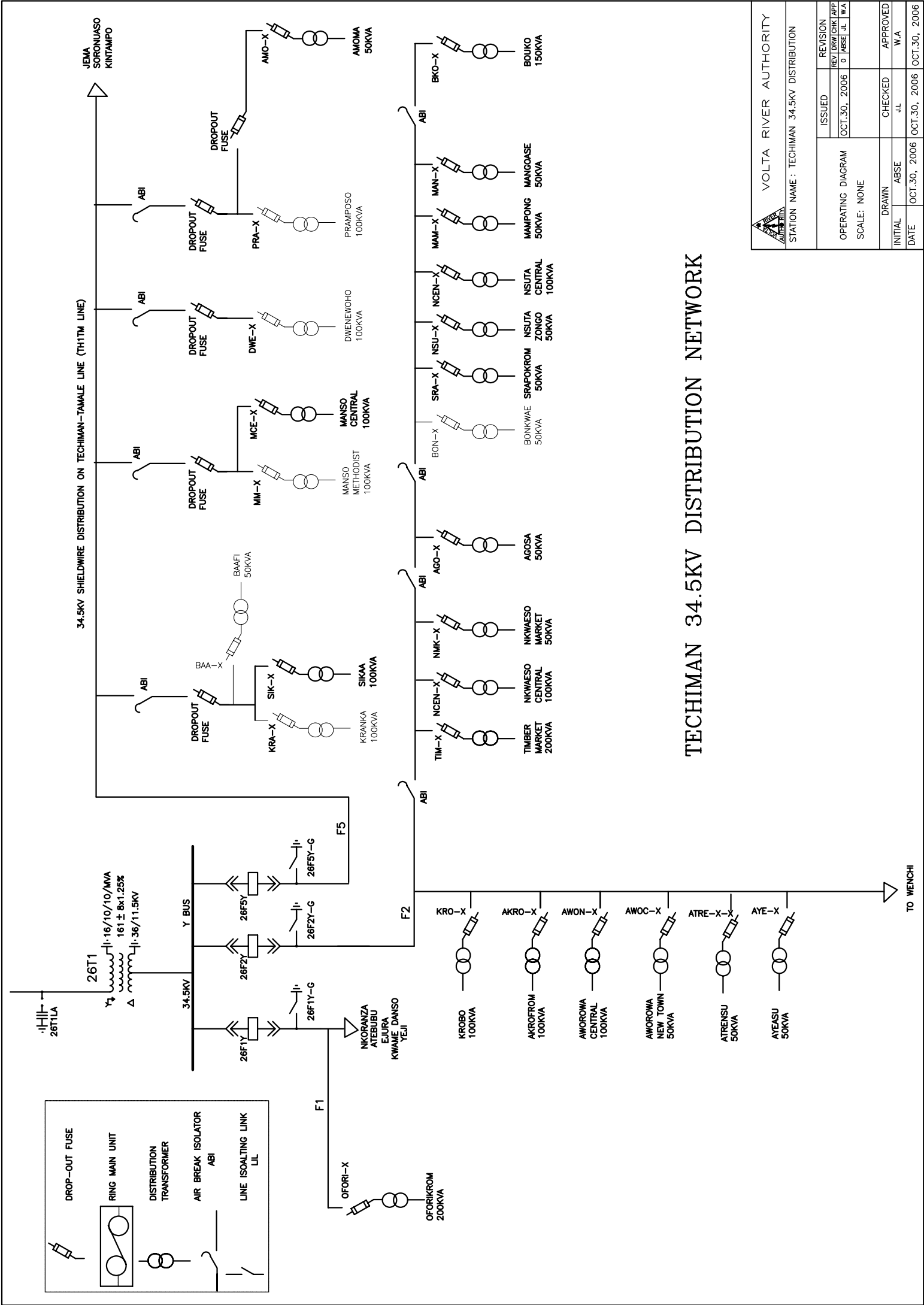



| | |
|--|---------------------|
| VOLTA RIVER AUTHORITY | |
| STATION NAME : TECHIMAN TOWNSHIP (NED) | |
| ISSUED | REVISION |
| OPERATING DIAGRAM | REV'DR/CRK/APP |
| SCALE: NONE | SEP. 30, 2004 |
| DRAWN | 0 / MESH / JL / FCA |
| ABSE | |
| CHECKED | |
| APPROVED | |
| INITIAL | U.L. |
| DATE | F.R.K.A |
| SEP. 30, 2004 | |
| SEP. 30, 2004 | |

TECHIMAN 11KV DISTRIBUTION NETWORK ON 26F2B FEEDER



| | | | |
|-------------------|---------------|--|-------------|
| | | VOLTA RIVER AUTHORITY | |
| | | STATION NAME : TECHIMAN 11.5KV DISTRIBUTION ON 26F2B | |
| OPERATING DIAGRAM | ISSUED | REVISION | |
| | OCT. 30. 2006 | REV'D | DRW/CRK/APP |
| SCALE: NONE | | 0 | ABSE/JL/WA |
| DRAWN | CHECKED | APPROVED | |
| ABSE | J.L. | W.A. | |
| DATE | OCT. 30, 2006 | OCT. 30, 2006 | |

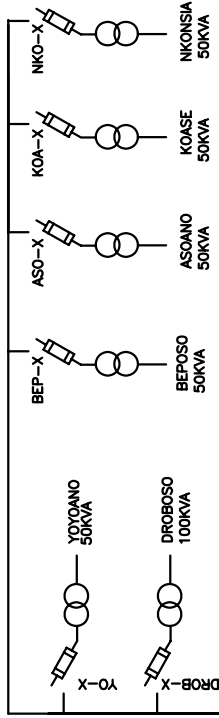
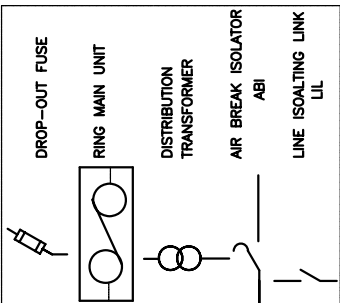


| | |
|--|---|
|  VOLTA RIVER AUTHORITY | |
| STATION NAME : TECHIMAN 34.5KV DISTRIBUTION | |
| OPERATING DIAGRAM SCALE: NONE | ISSUED OCT.30, 2006 |
| | REVISION REV.1 DRW. (CRK) APP. (JWA) |
| DRAWN ABSE | CHECKED J.L. |
| INITIAL DATE | APPROVED W.A. |
| OCT.30, 2006 | OCT.30, 2006 |

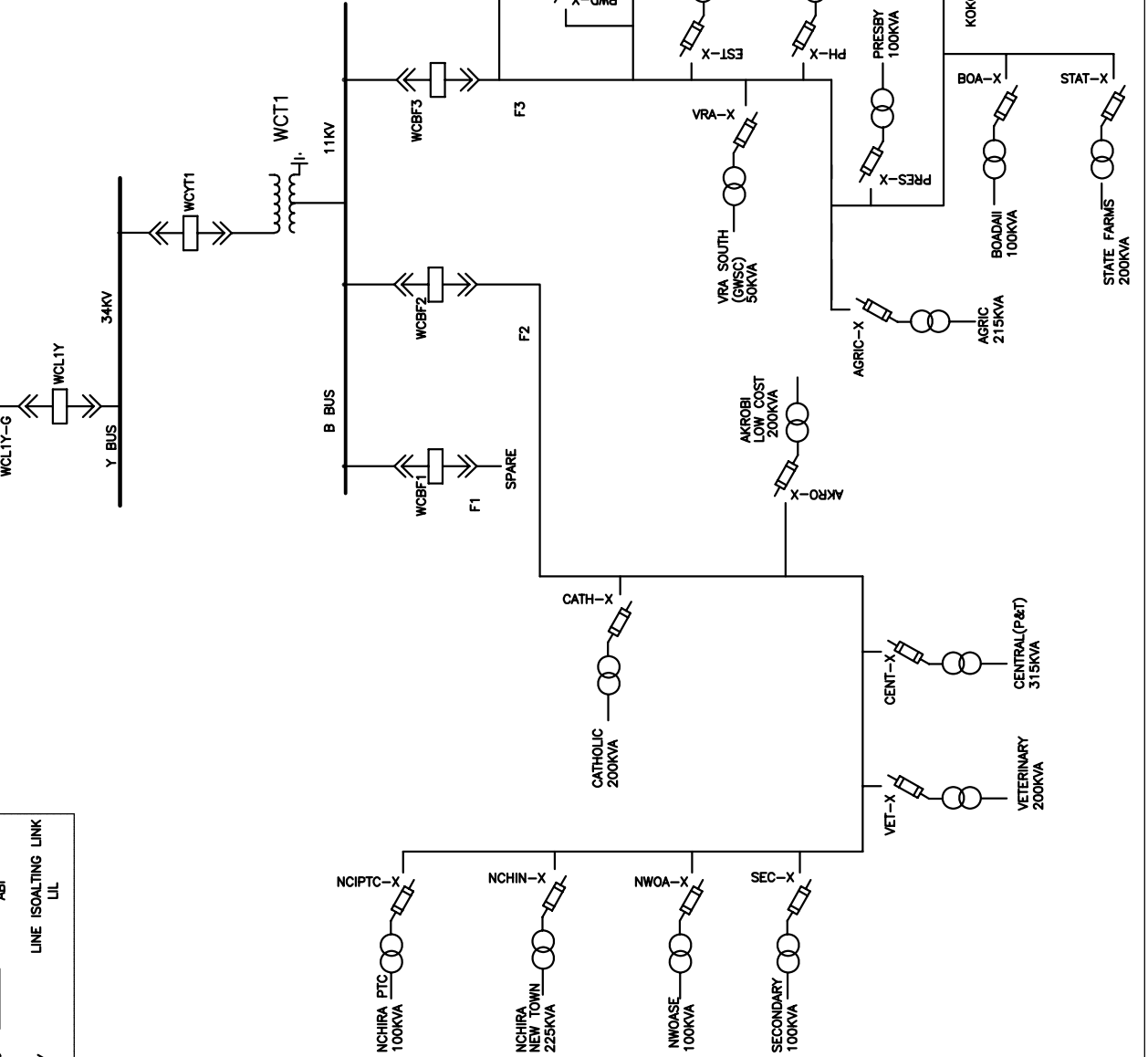
TECHIMAN 34.5KV DISTRIBUTION NETWORK

TO WENCHI

34KV FEEDER LINE FROM TECHIMAN TO WENCHI (26F2Y)

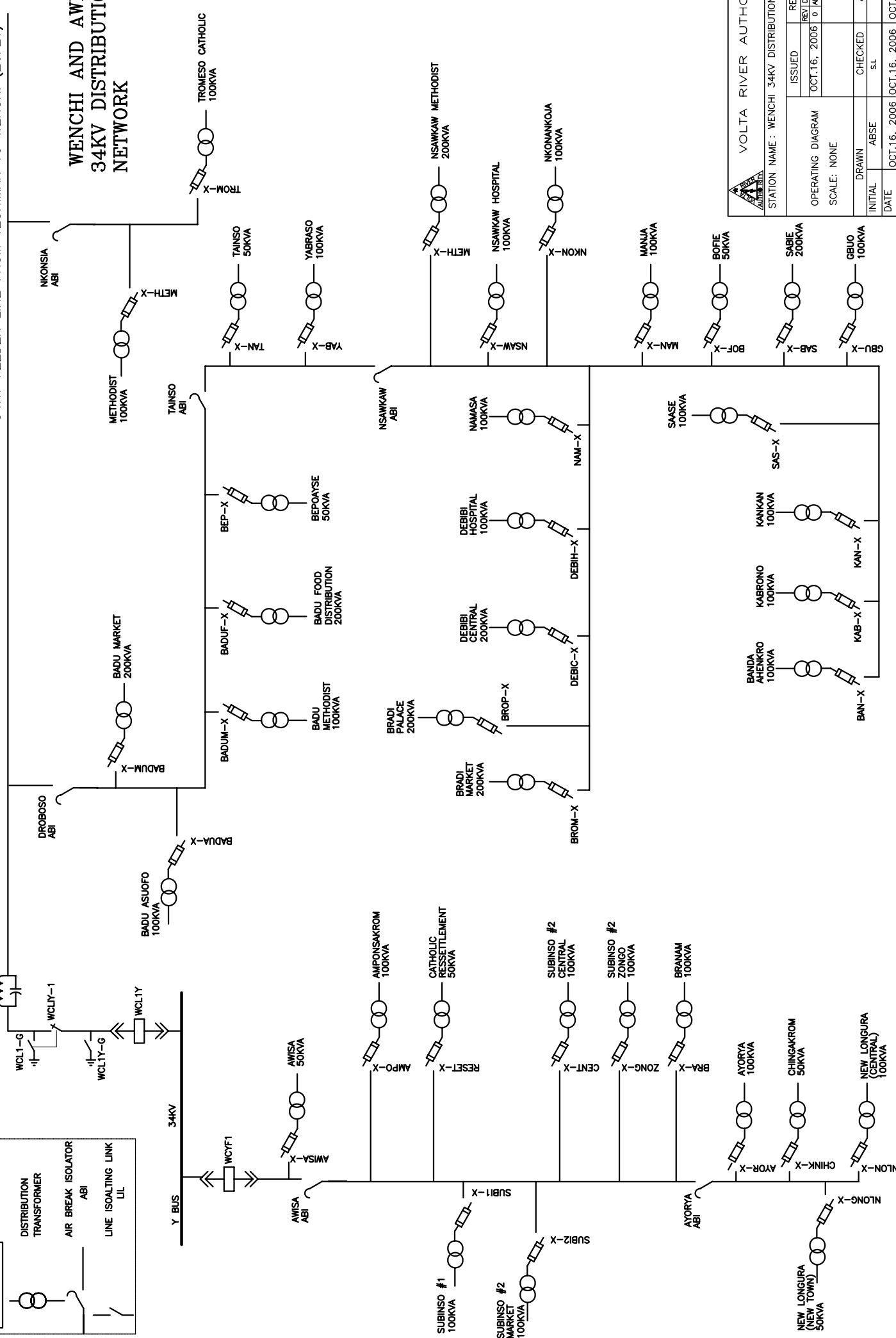
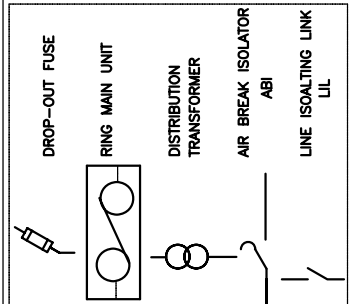


WENCHI 11.5KV DISTRIBUTION NETWORK



34KV FEEDER LINE FROM TECHIMAN TO WENCHI (26FY2)

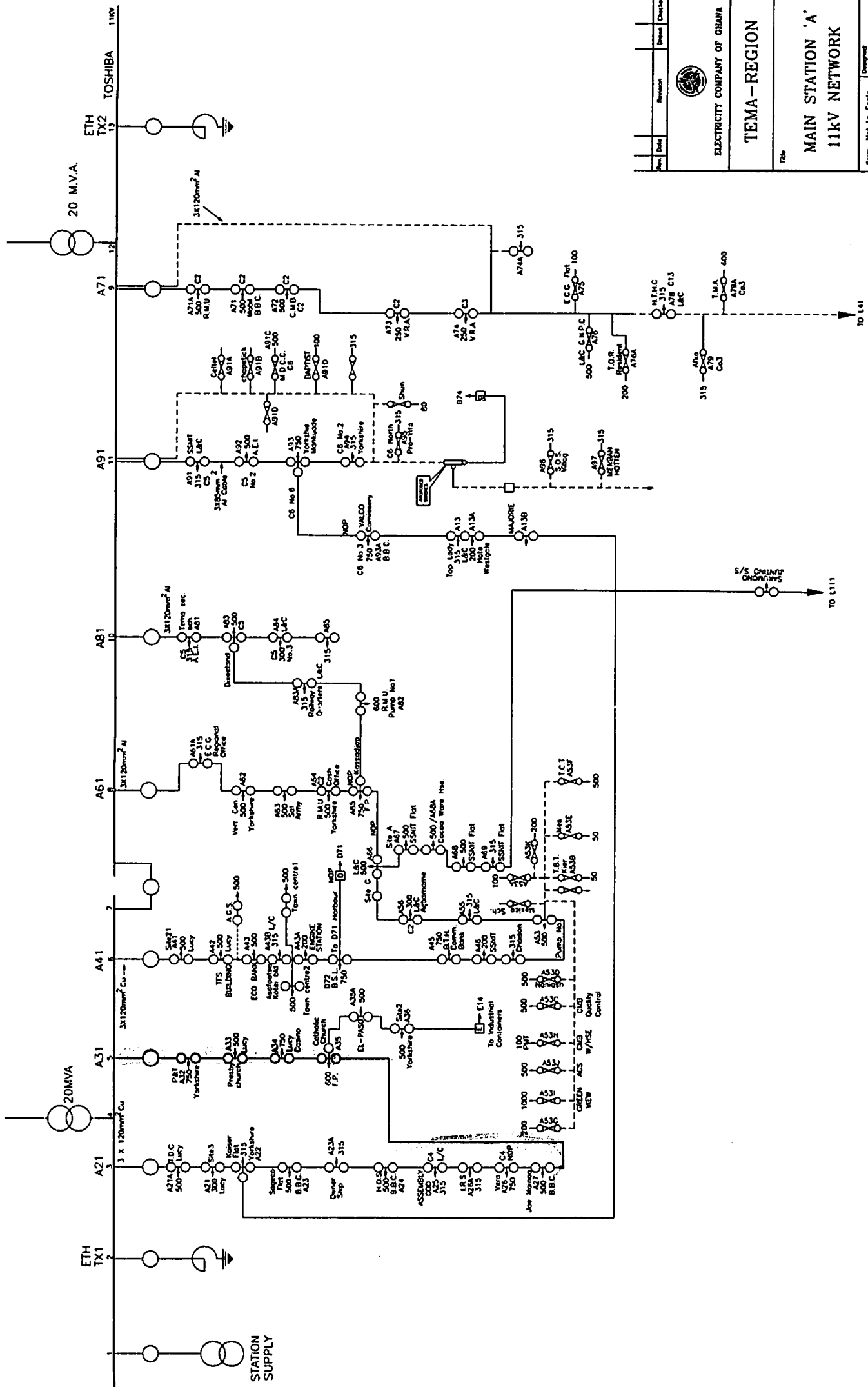
WENCHI AND AWISA 34KV DISTRIBUTION NETWORK




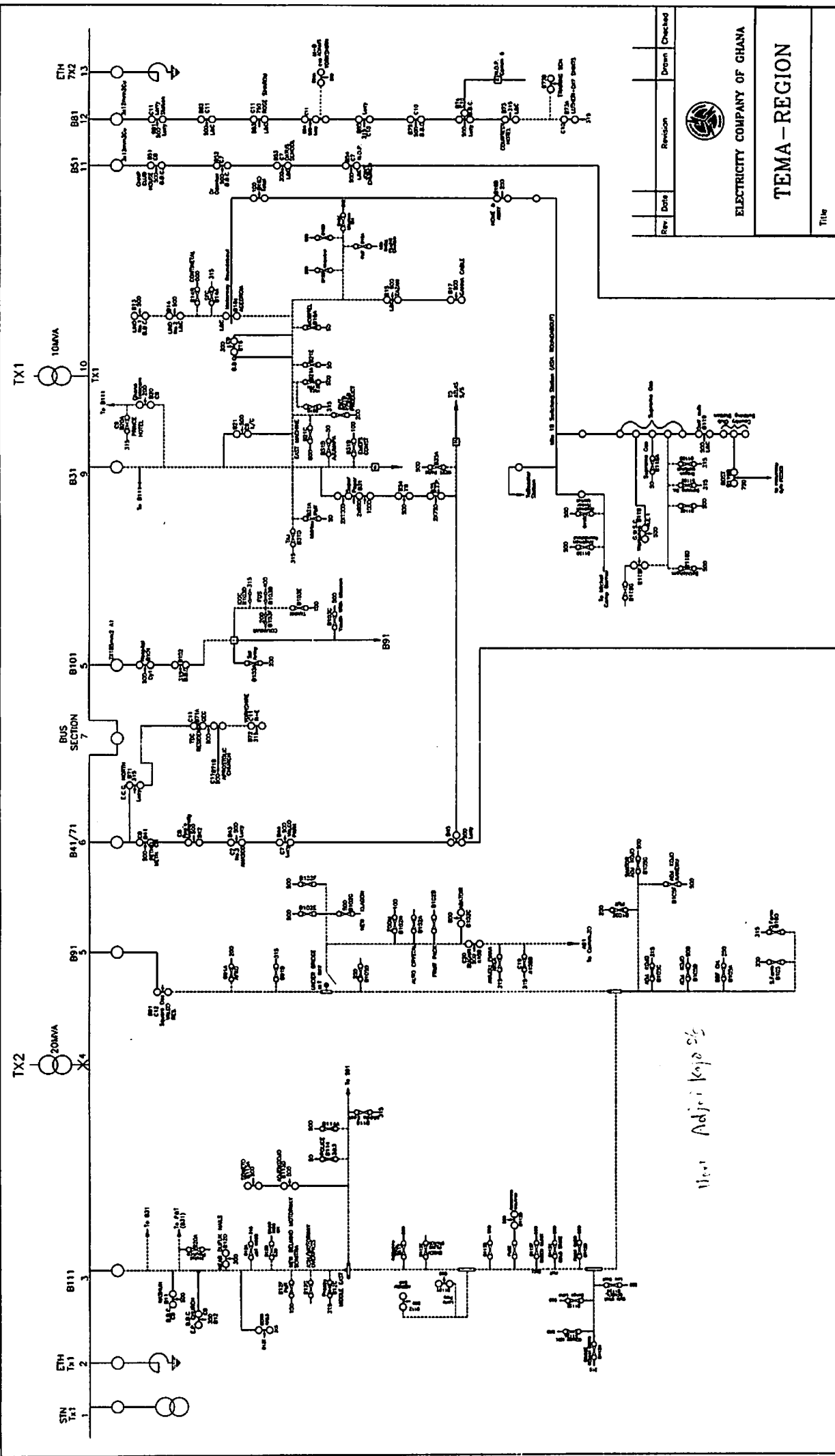
| | |
|---|---------------------|
| VOLTA RIVER AUTHORITY | |
| STATION NAME : WENCHI 34KV DISTRIBUTION | |
| ISSUED | REVISION |
| OCT.16, 2006 | REV. DRW. CRK. APP. |
| OPERATING DIAGRAM | |
| SCALE: NONE | |
| INITIAL | CHECKED |
| DATE | APPROVED |
| OCT.16, 2006 | W.A. |

Single Line Diagram


Tema



| | | | | |
|--|---------------|----------|------------------|---------|
| Rev. | Date | Revision | Drawn | Checked |
| | | | | |
|  ELECTRICITY COMPANY OF GHANA | | | | |
| TEMA-REGION | | | | |
| MAIN STATION 'A' 11KV NETWORK | | | | |
| Scale | Not to Scale | | | |
| Drawn | Derrick Owusu | Checked | D. Odu | |
| Date | August, 2007 | Approved | Dr. Smart-Yeboah | |
| Drawing No. | | | | |



| | | | | |
|------|------|----------|-------|---------|
| Rev. | Date | Revision | Drawn | Checked |
| | | | | |

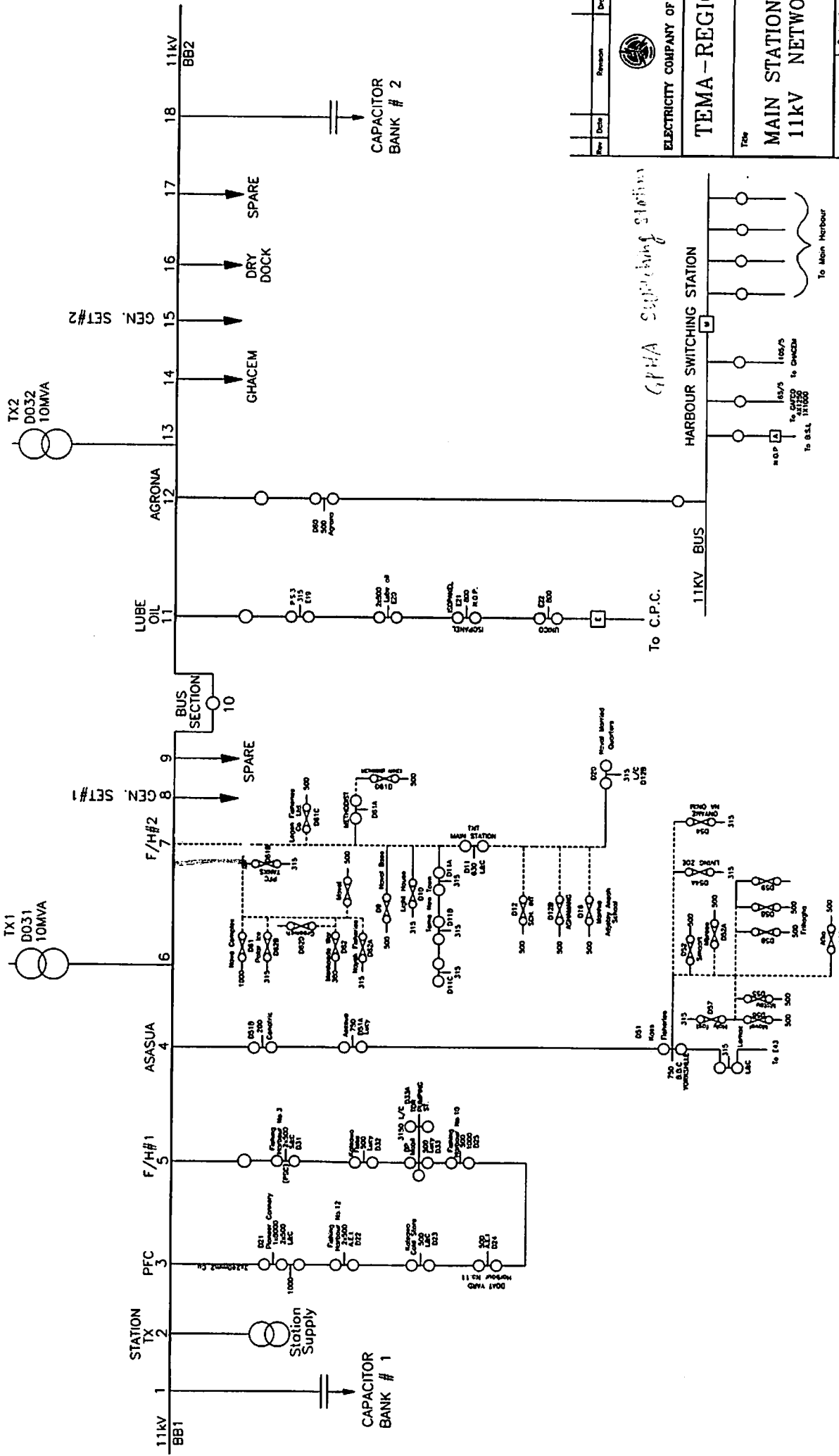

ELECTRICITY COMPANY OF GHANA

TEMA - REGION

Title
MAIN STATION 'B'
11kV NETWORK

| | | | |
|--------------|---------------|-----------|------------------|
| Scale: | Not to Scale | Designed: | |
| Drawn: | DERRICK OWUSU | Checked: | D. Oklu |
| Date: | August, 2007 | Approved: | Dr. Smart-Yeboah |
| Drawing No.: | | Rev.: | |

11kV Adjei Kajo 2/5



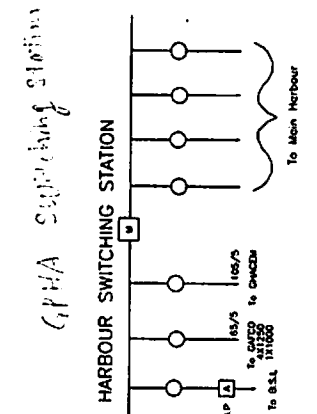
| Rev | Date | Revision | Drawn | Checked |
|-----|------|----------|-------|---------|
| | | | | |

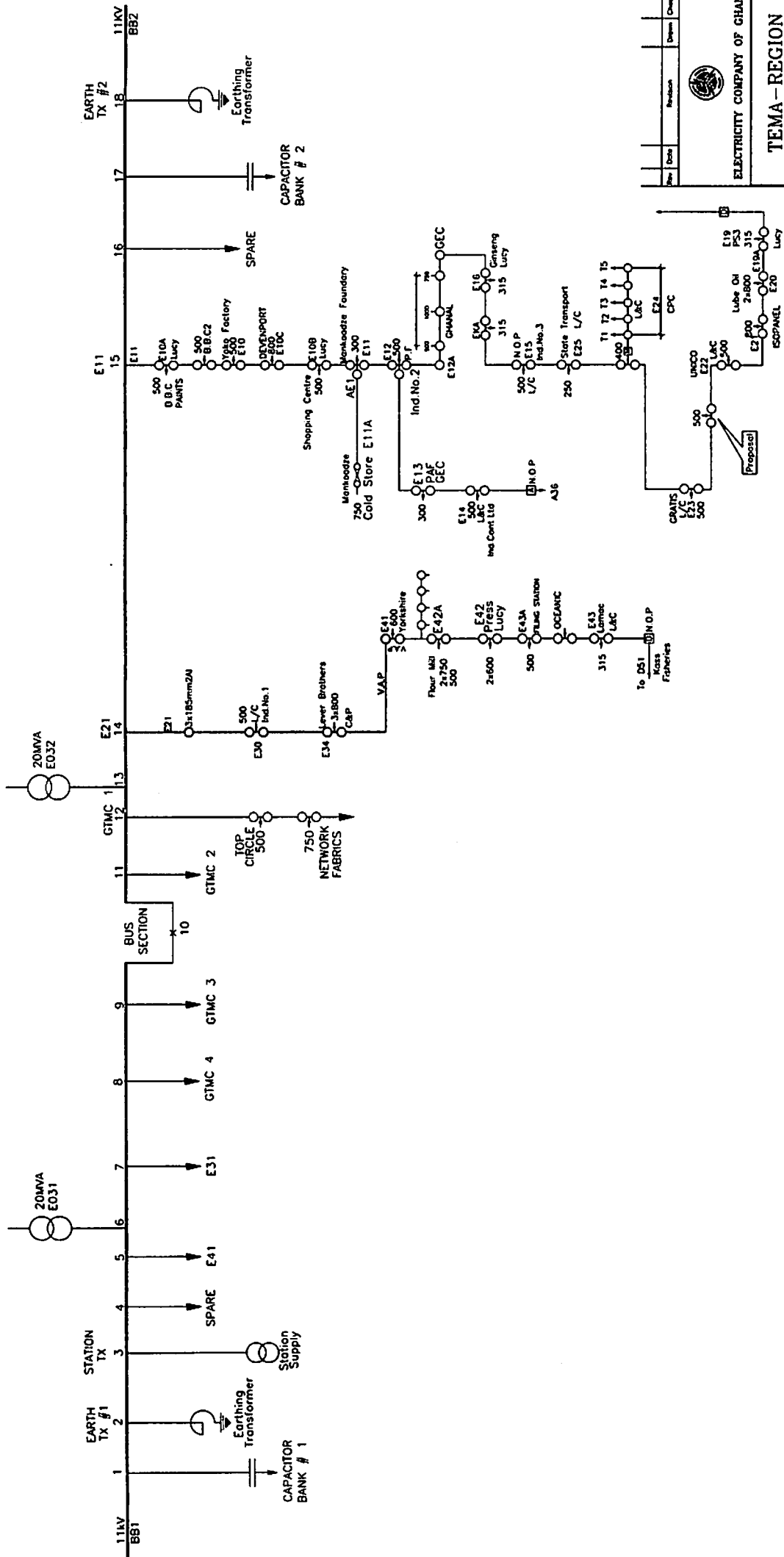
ELECTRICITY COMPANY OF GHANA

TEMA - REGION

Title
MAIN STATION 'D'
11kV NETWORK

| | |
|---------------------|----------------------------|
| Scale: Not to Scale | Designed: E. OCHIRE |
| Drawn: Derrick Osei | Checked: D. Odu |
| Date: August, 2007 | Approved: Dr. Smart-Yeboah |
| Drawing No.: | Rev.: |





| | | | | |
|------|------|----------|-------|---------|
| Rev. | Date | Revision | Drawn | Checked |
| | | | | |

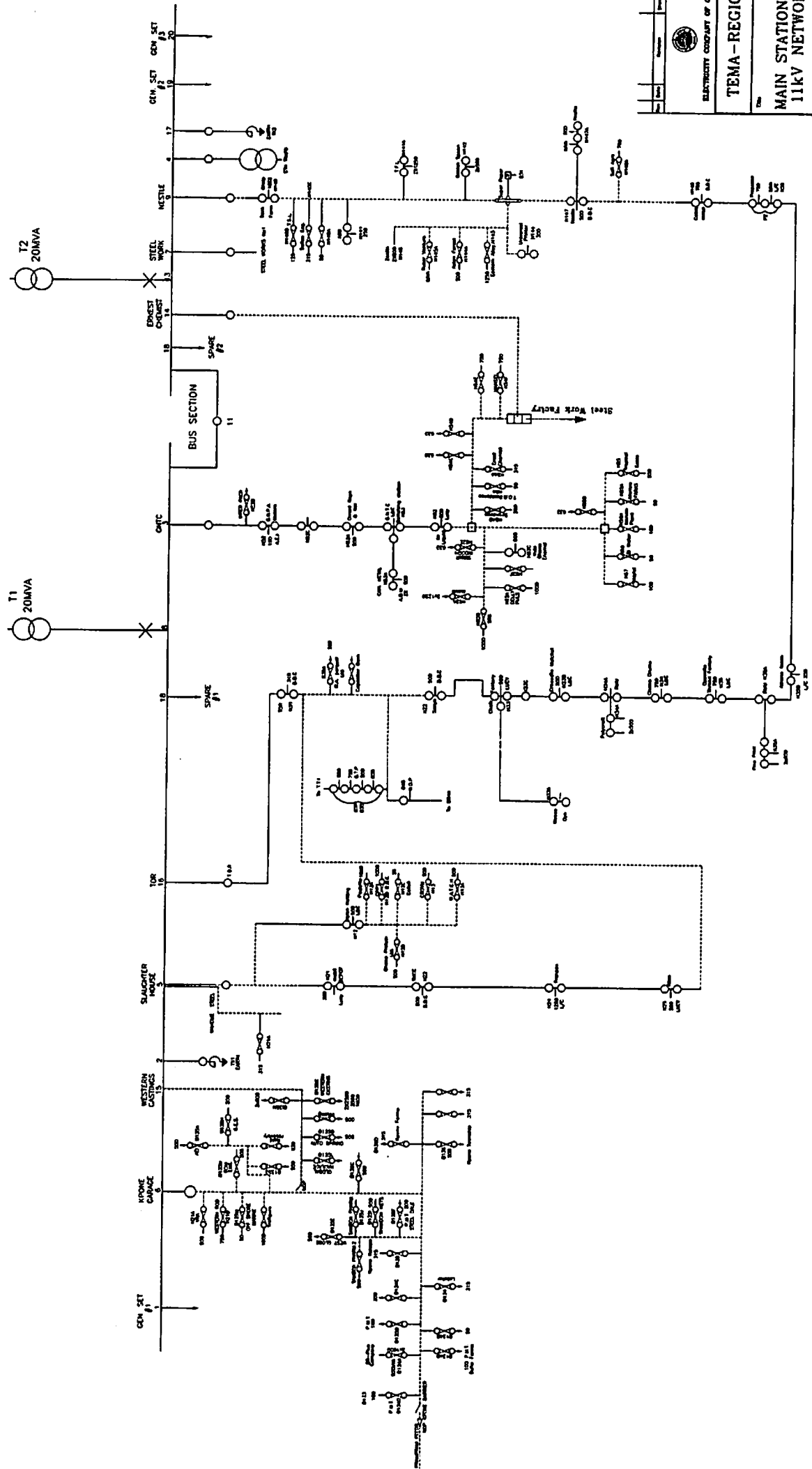
ELECTRICITY COMPANY OF GHANA

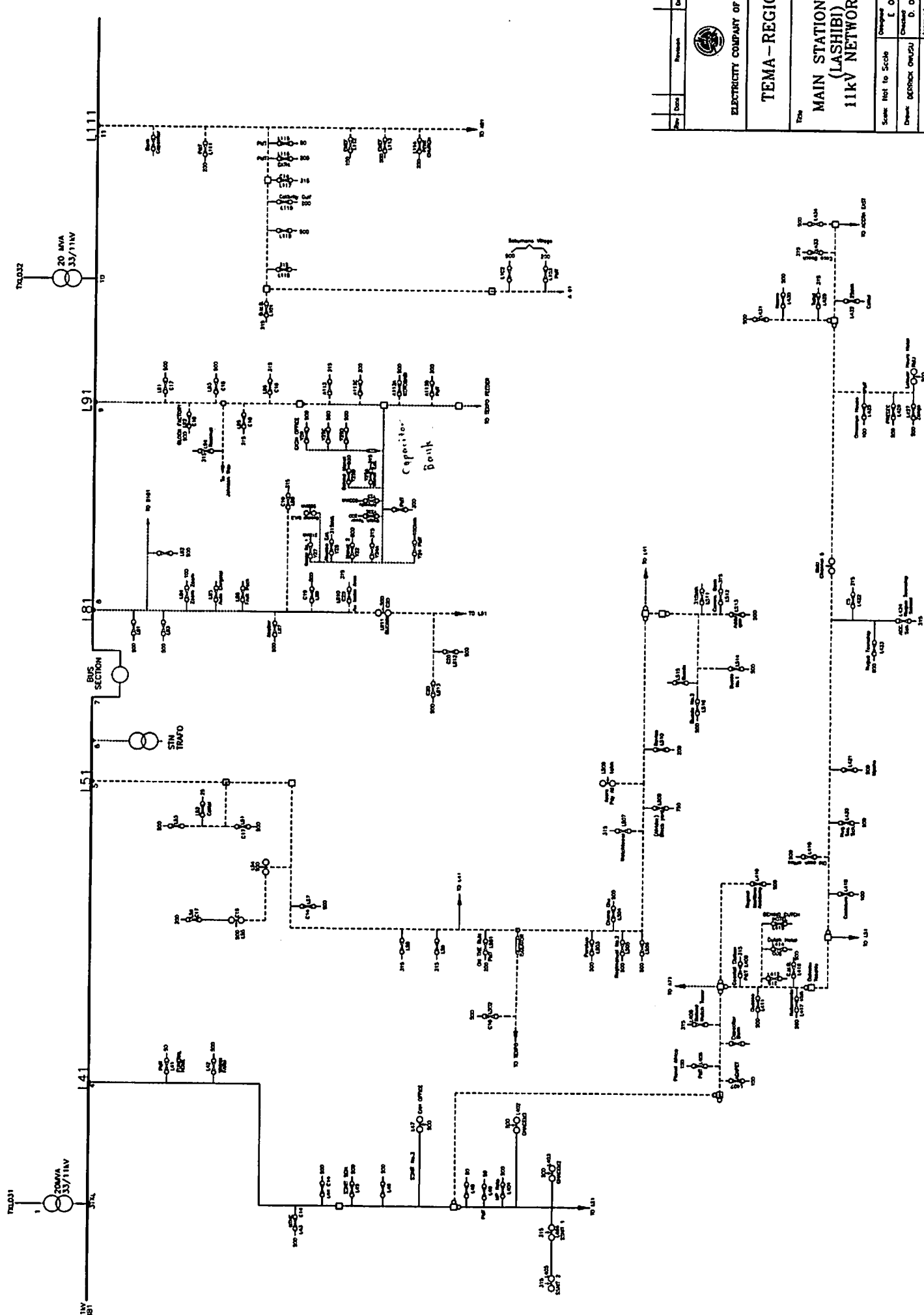
TEMA - REGION

MAIN STATION 'E'
11kV NETWORK

Title

| | | | |
|-------------|---------------|----------|------------------|
| Scale | Not to Scale | Designed | Edward Ochieng |
| Drawn | Derrick Owusu | Checked | D. Oku |
| Date | August, 2007 | Approved | Dr. Smart-Yeboah |
| Drawing No. | | | |





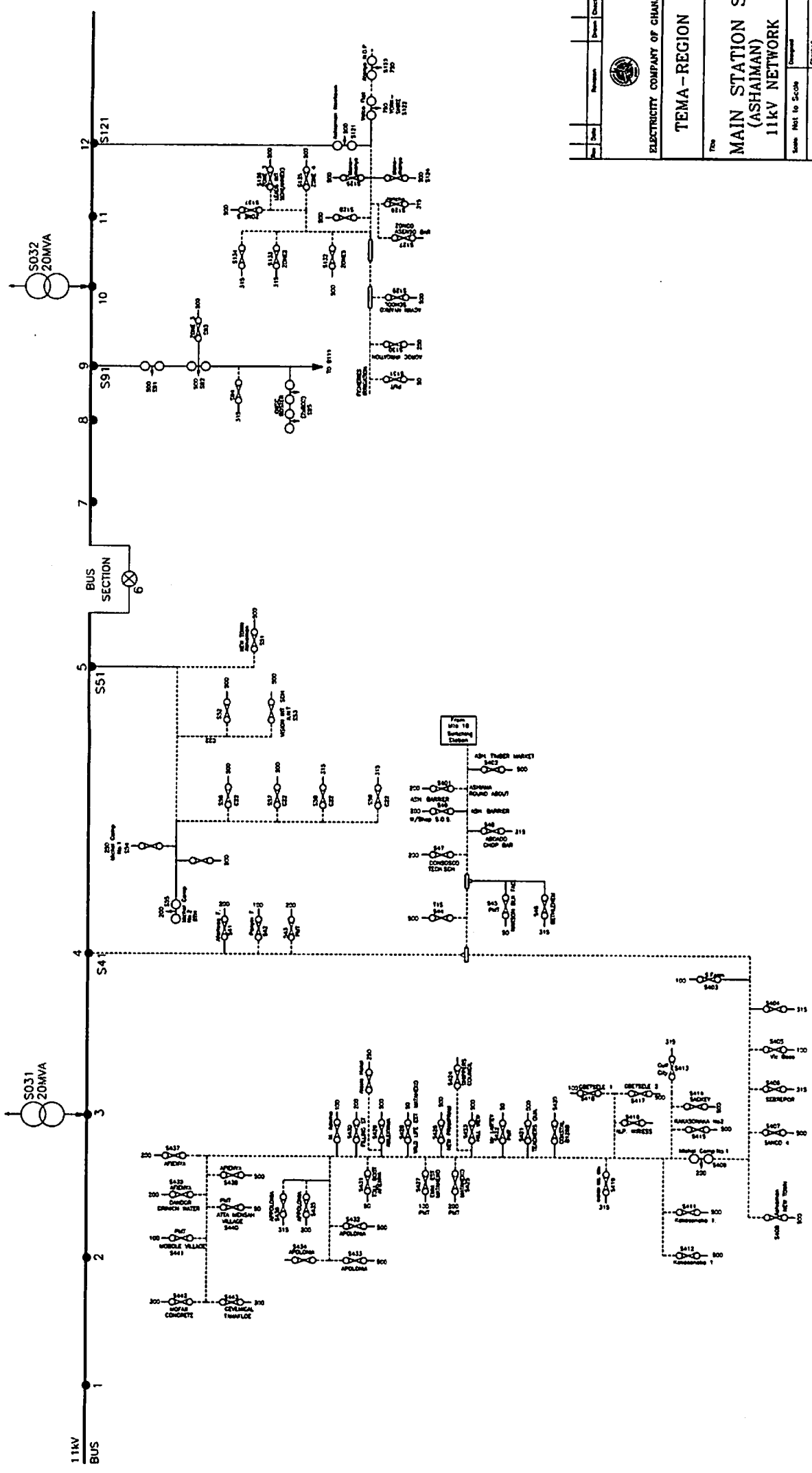
| | | | | |
|-----|------|----------|-------|---------|
| Rev | Date | Revision | Drawn | Checked |
| | | | | |


ELECTRICITY COMPANY OF GHANA

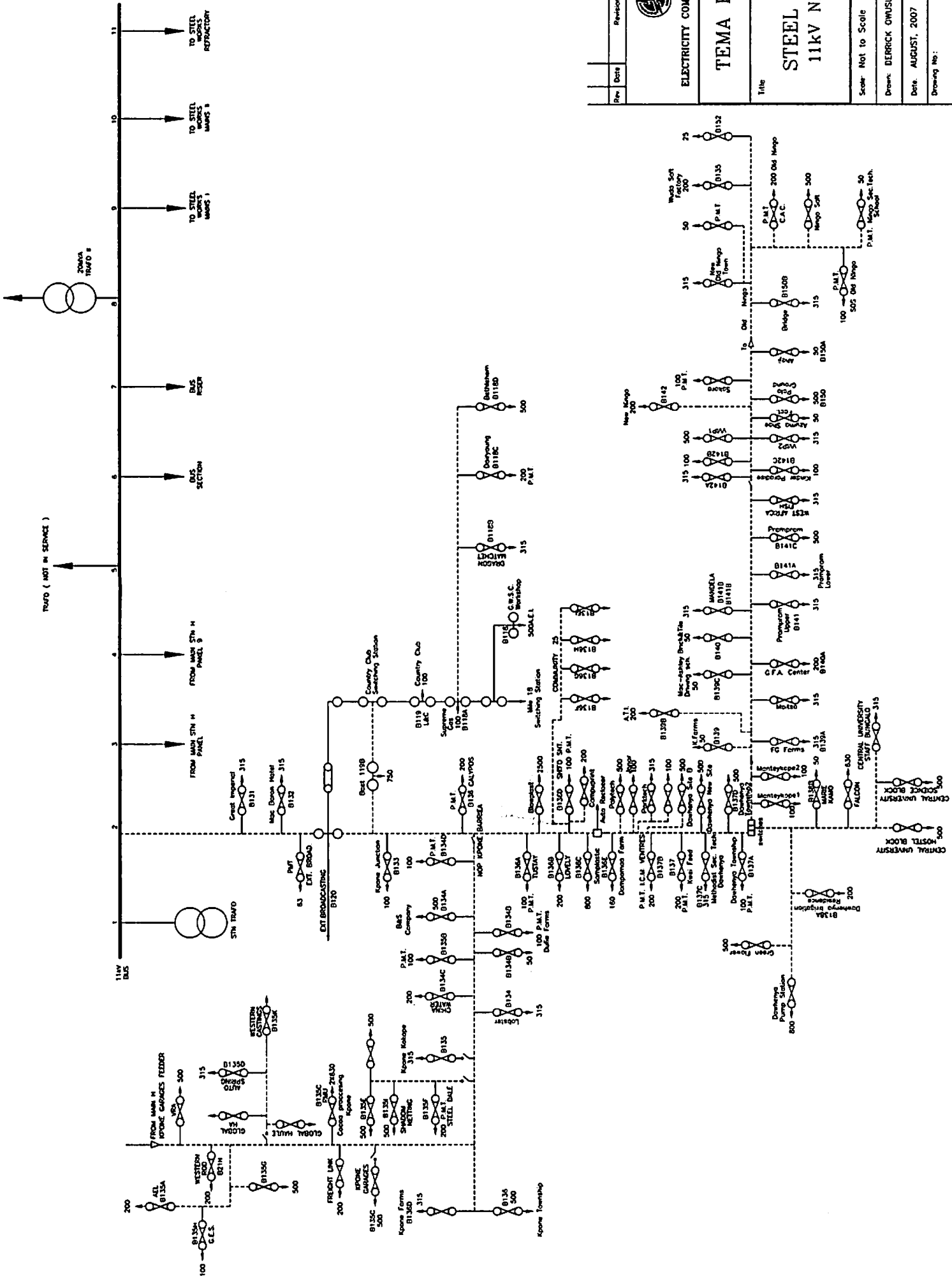
TEMA-REGION

Main Station 'L' (LASHIBI) 11kV NETWORK


| | | |
|-------|--------------|------------------|
| Scale | Ref to Scale | Checked |
| | | E. OCHOE |
| Drawn | Checked | Checked |
| | | D. ODU |
| Date | Approved | Approved |
| | | Dr. Smart-Teboah |
| | | |



| No. | Date | Revision | Drawn | Checked |
|--|-----------------|----------|-------------------|---------|
| | | | | |
|  ELECTRICITY COMPANY OF GHANA | | | | |
| TEMA - REGION | | | | |
| MAIN STATION S (ASHAIMAN) 11kV NETWORK | | | | |
| Scale | No. 1 to S. 206 | | Designed | |
| Drawn | Derreck Owarfu | | Checked D. Odu | |
| Date | August, 2007 | | Approved | |
| Drawing No. | | | Dr. Smart-Yeboah | |



| Rev | Date | Revision | Drawn | Checked |
|-----|------|----------|-------|---------|
| | | | | |


ELECTRICITY COMPANY OF GHANA
TEMA REGION
STEEL WORKS
11KV NETWORK

Title

| | |
|----------------------|----------------------------|
| Scale: Not to Scale | Designed: |
| Drawn: DERRICK OWUSU | Checked: D. Oklu |
| Date: AUGUST, 2007 | Approved: Dr. Smart-Yeboah |
| Drawing No.: | Rev: |

FROM KPONG BSP



K FEEDER

K00

K02

K03

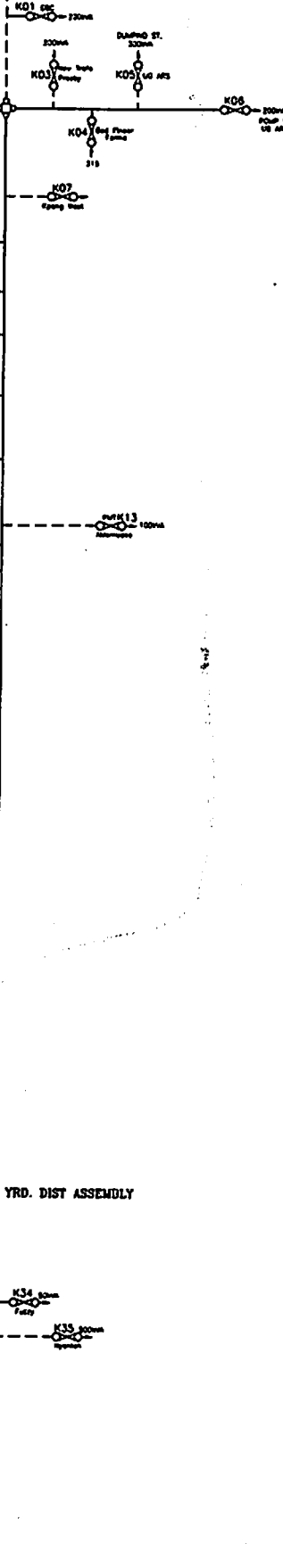
K04

11kV BUS BAR
TAMCO

TO AKORLEY

OLD WORKS

SPARE



YRD. DIST ASSEMBLY

| Rev | Date | Author | Drawn | Checked |
|---|--------------|--------|------------------------------|---------|
| <p>ELECTRICITY COMPANY OF GHANA</p> | | | | |
| <p>TEMA REGION</p> | | | | |
| <p>7500</p> <p>KROBO AREA FEEDER 11kV NETWORK</p> | | | | |
| Scale | Not to Scale | | Designer | |
| Drawn | Derrick Ousu | | Checked S. Odu | |
| Date | August 2007 | | Approved Dr. Smart Yeboah | |
| Drawing No. | | | | Rev 1 |

FROM OKWENYA FEEDER

MAIN 'R' STATION

ASUTSUARE PRIMARY SUBSTATION

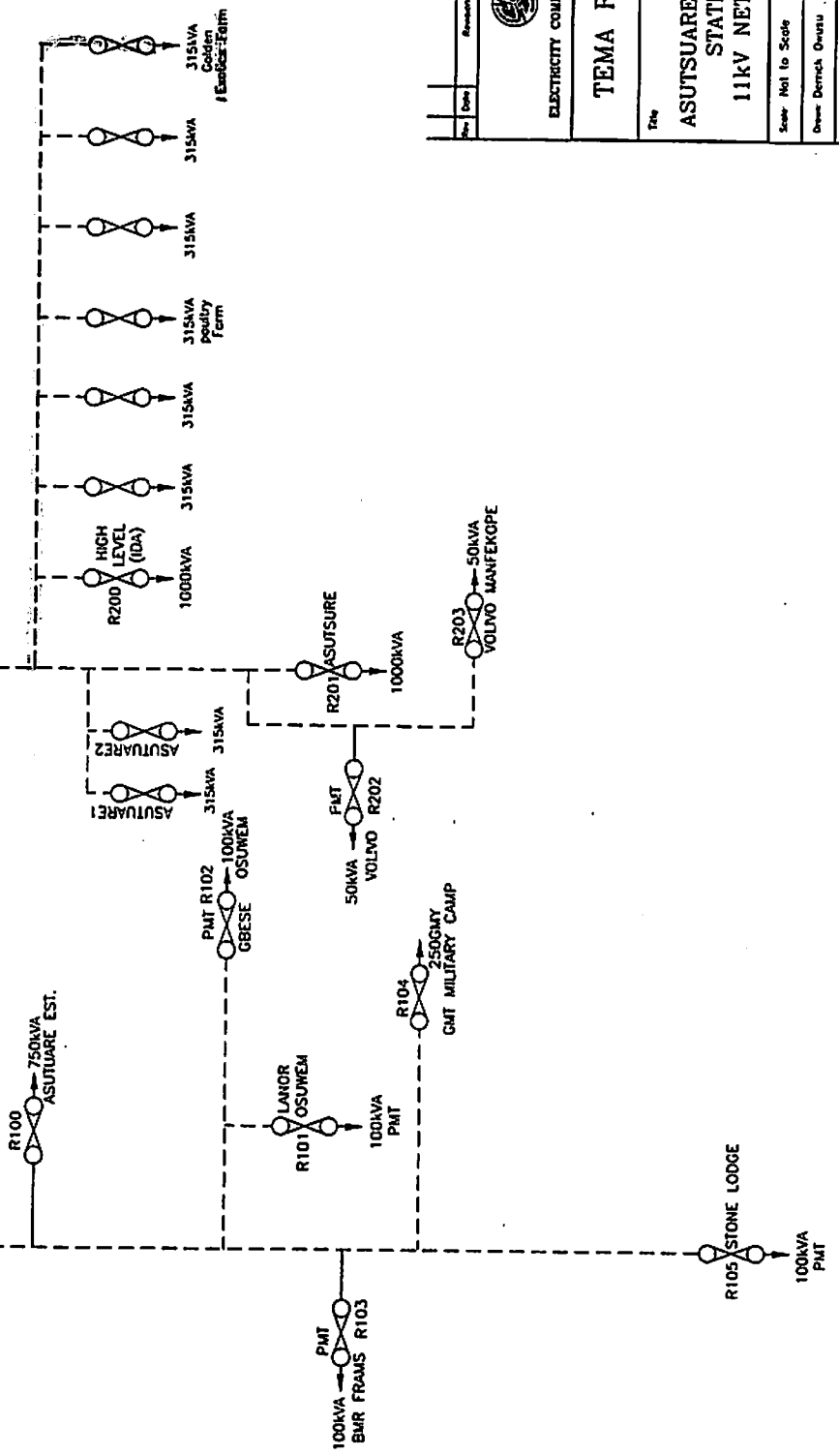
R 200 FEEDER ASUTSUARE

11kV BUS BAR

BOILER

R100 FEEDER MILT. CAMP

TAMCO



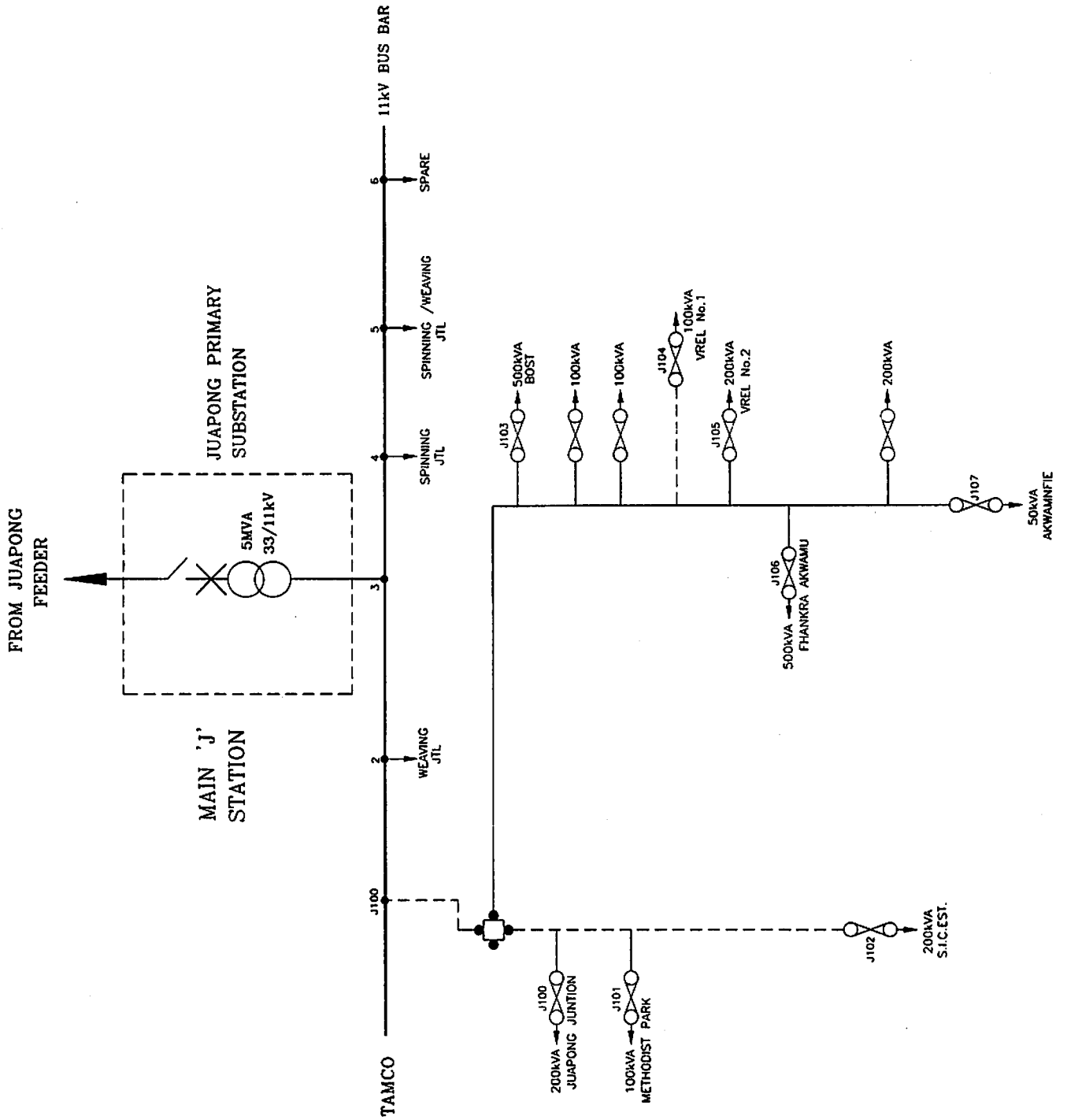
| Per | Date | Revision | Drawn | Checked |
|-----|------|----------|-------|---------|
| | | | | |

ELECTRICITY COMPANY OF GHANA


TEMA REGION

ASUTSUARE PRIMARY STATION 11kV NETWORK

| | | | |
|-------------|-----------------|----------|------------------|
| Scale | Not to Scale | Designed | |
| Drawn | Demetrius Owusu | Checked | D. Odu |
| Date | August, 2007 | Approved | Dr. Smart Yeboah |
| Drawing No. | | Rev. | |



| Rev | Date | Revision | Drawn | Checked |
|-----|------|----------|-------|---------|
| | | | | |

| | |
|---|----------------------------|
|  ELECTRICITY COMPANY OF GHANA | |
| TEMA REGION | |
| JUAPONG PRIMARY STATION 11KV NETWORK | |
| File | |
| Scale: Not to Scale | Drawn/Checked |
| Drawn: Derrick Osei | Checked: D. Oku |
| Date: August 2007 | Approved: Dr. Smart Yeboah |
| Drawing No. | Rev. |