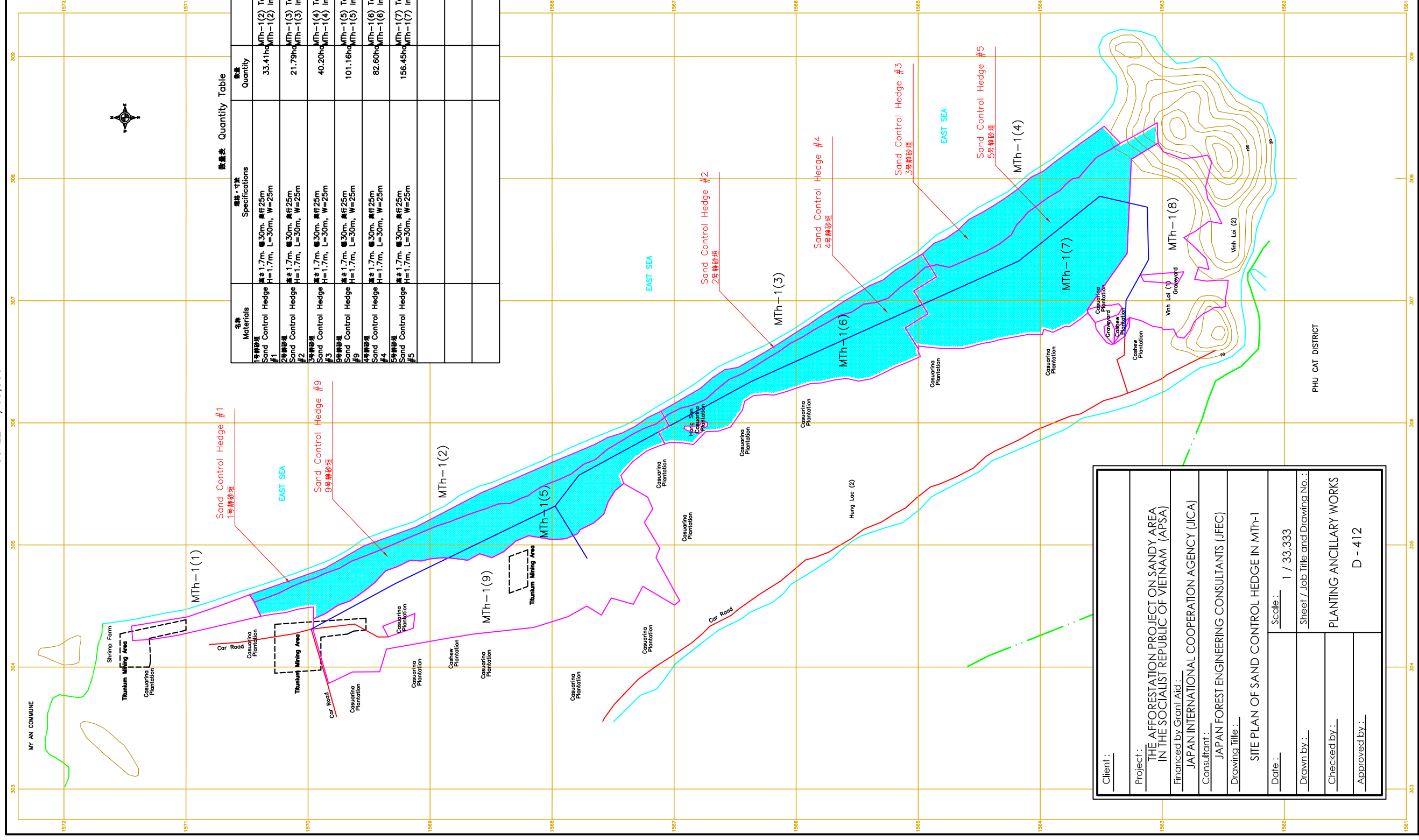


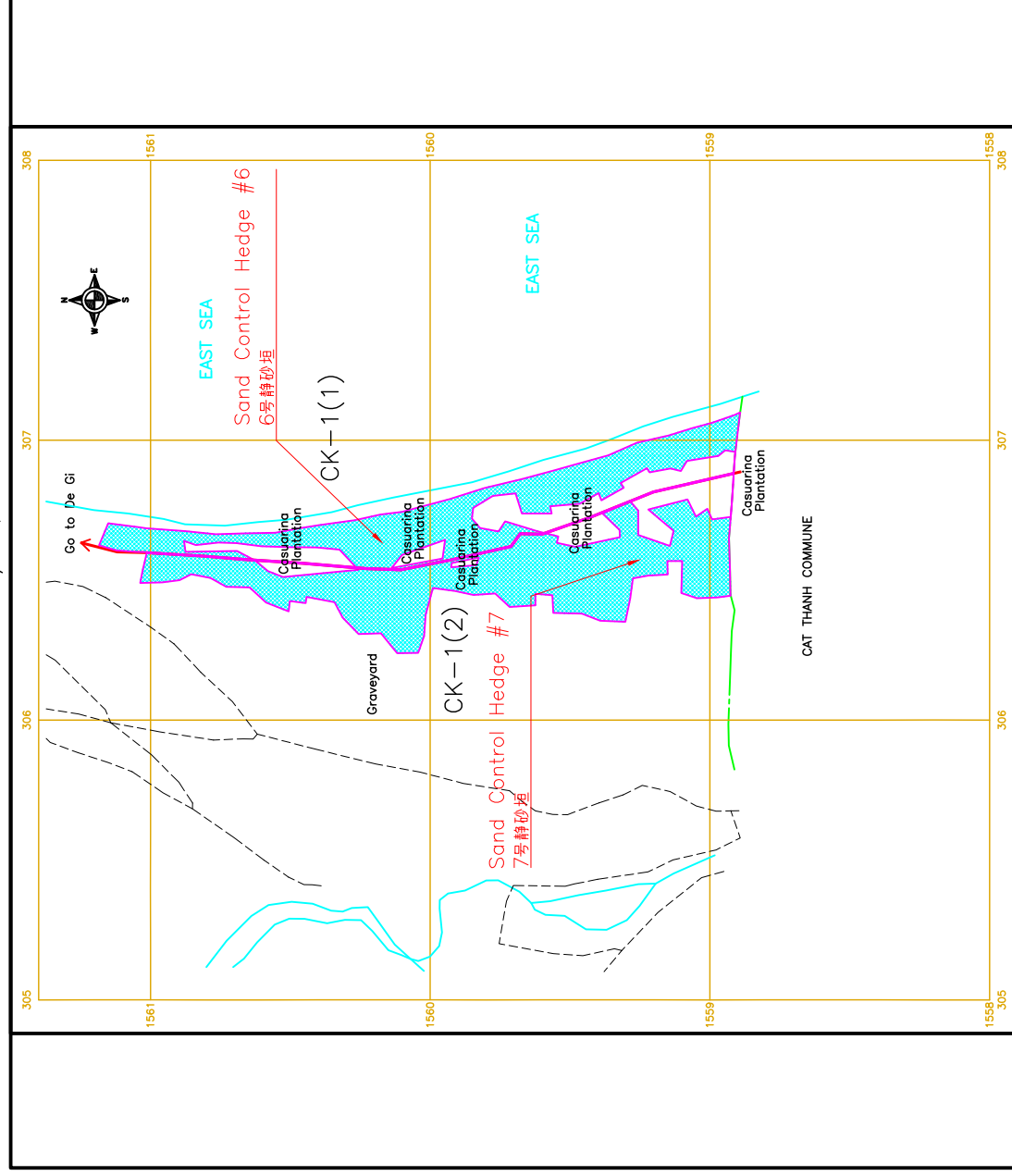
PERIMETER MAP
FOR AFFORESTATION PROJECT ON SANDY AREA IN VIETNAM
(AFSA PROJECT)
MY THANH COMMUNE – PHU MY DISTRICT – BINH DINH PROVINCE
SCALE: 1/33,333



名称	规格、寸法	数量	备注
沙障材料	规格: 1.7m x 30m, 支柱 25m H=1.7m, L=30m, W=25m	33.41m	MTh-1(2) Term-2施工 MTh-1(2) implementation in the Term-2
沙障材料	规格: 1.7m x 30m, 支柱 25m H=1.7m, L=30m, W=25m	21.79m	MTh-1(3) Term-2施工 MTh-1(3) implementation in the Term-2
沙障材料	规格: 1.7m x 30m, 支柱 25m H=1.7m, L=30m, W=25m	40.20m	MTh-1(4) Term-2施工 MTh-1(4) implementation in the Term-2
沙障材料	规格: 1.7m x 30m, 支柱 25m H=1.7m, L=30m, W=25m	101.16m	MTh-1(5) Term-3施工 MTh-1(5) implementation in the Term-3
沙障材料	规格: 1.7m x 30m, 支柱 25m H=1.7m, L=30m, W=25m	82.60m	MTh-1(6) Term-2施工 MTh-1(6) implementation in the Term-2
沙障材料	规格: 1.7m x 30m, 支柱 25m H=1.7m, L=30m, W=25m	156.45m	MTh-1(7) Term-2施工 MTh-1(7) implementation in the Term-2

Client : _____
Project : THE AFFORESTATION PROJECT ON SANDY AREA IN THE SOCIALIST REPUBLIC OF VIETNAM (AFSA)
Financed by Grant Aid : JAPAN INTERNATIONAL COOPERATION AGENCY (JICA)
Consultant : JAPAN FOREST ENGINEERING CONSULTANTS (JFEC)
Drawing Title : SITE PLAN OF SAND CONTROL HEDGE IN MTh-1
Date : _____
Scale : 1 / 33,333
Drawn by : _____
Checked by : _____
Approved by : _____
PLANTING ANCILLARY WORKS D - 412

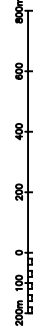
PERIMETER MAP
FOR AFFORESTATION PROJECT ON SANDY AREA IN VIETNAM
(APSA PROJECT)
CAT KHANH COMMUNE – PHU CAT DISTRICT – BINH DINH PROVINCE
SCALE: 1/25,000



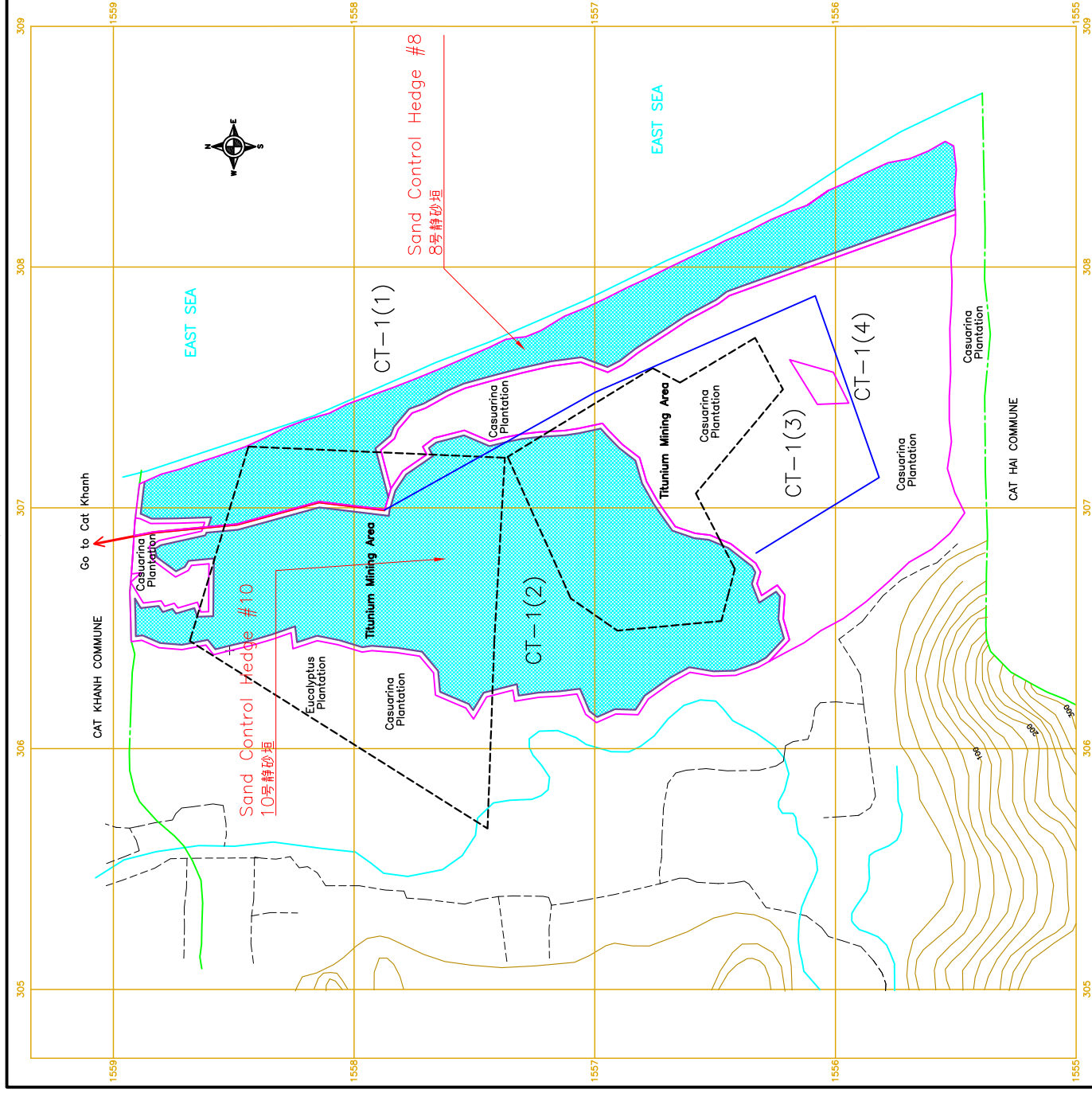
数量表 Quantity Table

名称 Materials	规格、寸法 Specifications	数量 Quantity	備考 Remarks
6号静砂埧 Sand Control Hedge #6	高さ1.7m、幅50m、奥行30m H=1.7m, L=50m, W=30m	26.43ha CK-1(1) CK-1(1)	Term-2施工 Implementation in the Term-2
7号静砂埧 Sand Control Hedge #7	高さ1.7m、幅50m、奥行30m H=1.7m, L=50m, W=30m	38.48ha CK-1(2) CK-1(2)	Term-2施工 Implementation in the Term-2

Client : _____	
Project : THE AFFORESTATION PROJECT ON SANDY AREA IN THE SOCIALIST REPUBLIC OF VIETNAM (APSA)	
Financed by Grant Aid : JAPAN INTERNATIONAL COOPERATION AGENCY (JICA)	
Consultant : JAPAN FOREST ENGINEERING CONSULTANTS (JFEC)	
Drawing Title : SITE PLAN OF SAND CONTROL HEDGE IN CK-1	
Date : _____	Scale : 1 / 25,000
Drawn by : _____	Sheet / Job Title and Drawing No. : _____
Checked by : _____	PLANTING ANCILLARY WORKS
Approved by : _____	D - 413



PERIMETER MAP
FOR AFFORESTATION PROJECT ON SANDY AREA IN VIETNAM
(APSA PROJECT)
CAT THANH COMMUNE – PHU CAT DISTRICT – BINH DINH PROVINCE
SCALE: 1/25,000



数量表 Quantity Table

名称 Materials	规格·寸法 Specifications	数量 Quantity	備考 Remarks
8号静砂堤 Sand Control Hedge #8	高さ1.7m、幅50m、奥行30m H=1.7m, L=50m, W=30m	82.48ha CT-1(1) Term-2施工 CT-1(1) Implementation in the Term-2	
10号静砂堤 Sand Control Hedge #10	高さ1.7m、幅50m、奥行30m H=1.7m, L=50m, W=30m	179.46ha CT-1(2) Term-3施工 CT-1(2) Implementation in the Term-3	

Client : _____

Project : THE AFFORESTATION PROJECT ON SANDY AREA IN THE SOCIALIST REPUBLIC OF VIETNAM (APSA)

Financed by Grant Aid : JAPAN INTERNATIONAL COOPERATION AGENCY (JICA)

Consultant : JAPAN FOREST ENGINEERING CONSULTANTS (JFEC)

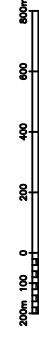
Drawing Title : SITE PLAN OF SAND CONTROL HEDGE IN CT-1

Date : _____ Scale : 1 / 25,000

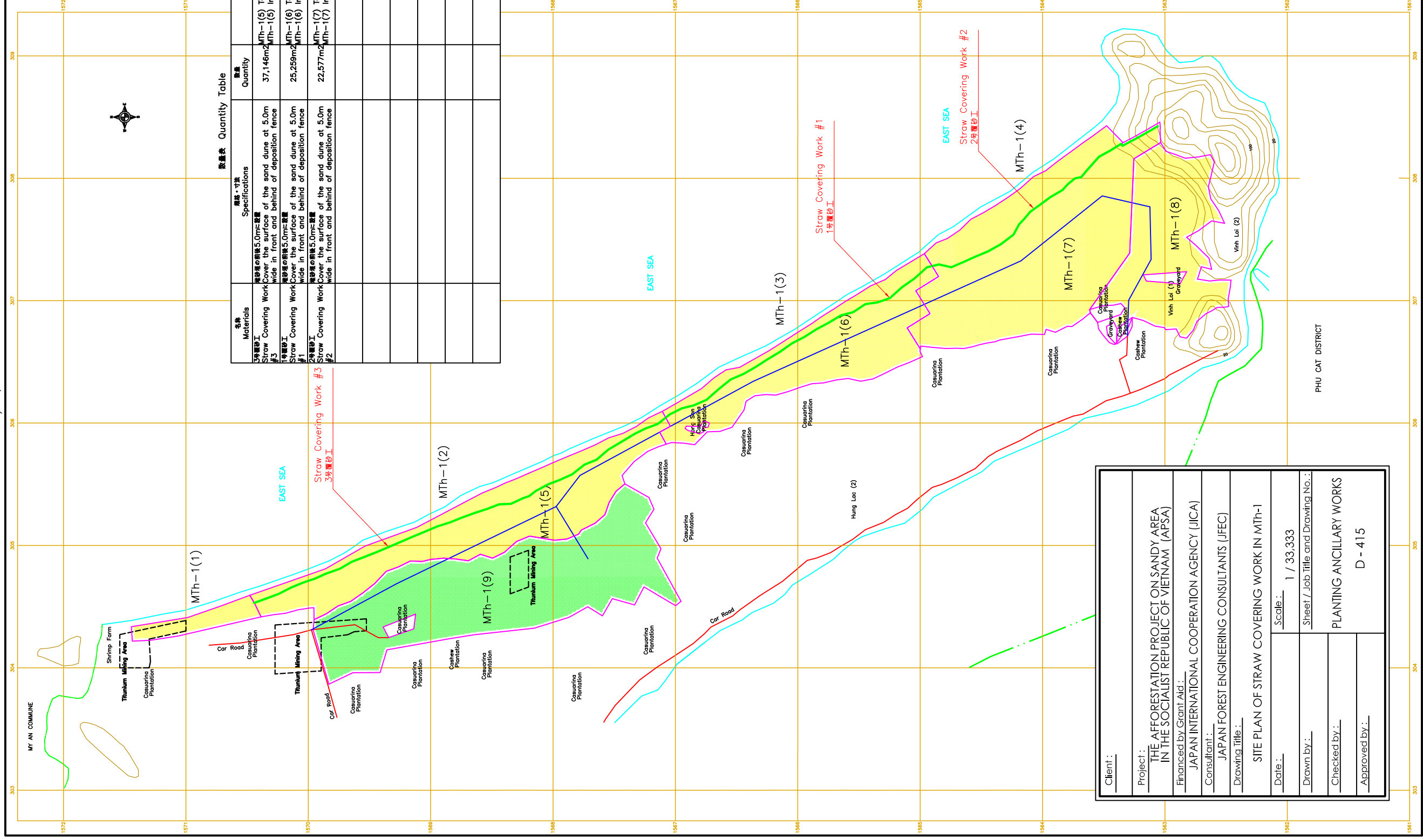
Drawn by : _____ Sheet / Job Title and Drawing No. : _____

Checked by : _____ PLANTING ANCILLARY WORKS

Approved by : _____ D - 414



PERIMETER MAP
 FOR AFFORESTATION PROJECT ON SANDY AREA IN VIETNAM
 (APSA PROJECT)
 MY THANH COMMUNE – PHU MY DISTRICT – BINH DINH PROVINCE
 SCALE: 1/33,333

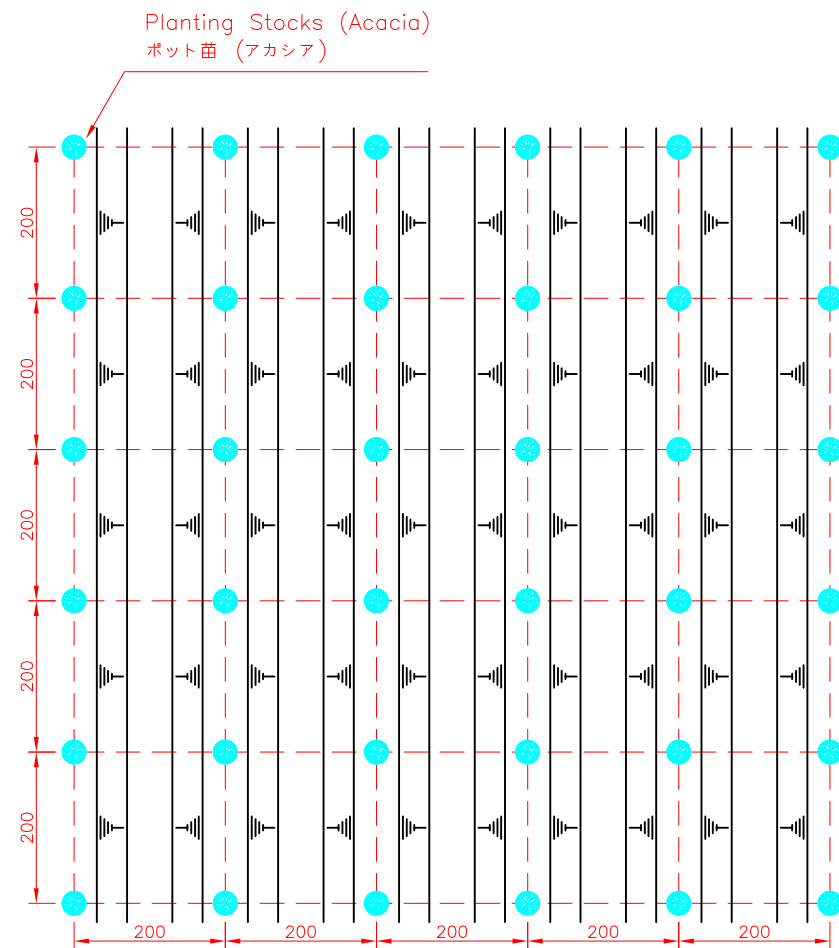


名称 Materials	规格・仕様 Specifications	数量 Quantity	備考 Remarks
草藁被覆工 #3 Straw Covering Work #3	埋設厚の前後5.0mに設置 Cover the surface of the sand dune at 5.0m wide in front and behind of deposition fence	MTh-1(5) 37,146m ² MTh-1(5) 37,146m ²	Term-3埋工 Implementation in the Term-3
草藁被覆工 #1 Straw Covering Work #1	埋設厚の前後5.0mに設置 Cover the surface of the sand dune at 5.0m wide in front and behind of deposition fence	MTh-1(6) 25,259m ² MTh-1(6) 25,259m ²	Term-2埋工 Implementation in the Term-2
草藁被覆工 #2 Straw Covering Work #2	埋設厚の前後5.0mに設置 Cover the surface of the sand dune at 5.0m wide in front and behind of deposition fence	MTh-1(7) 22,577m ² MTh-1(7) 22,577m ²	Term-2埋工 Implementation in the Term-2

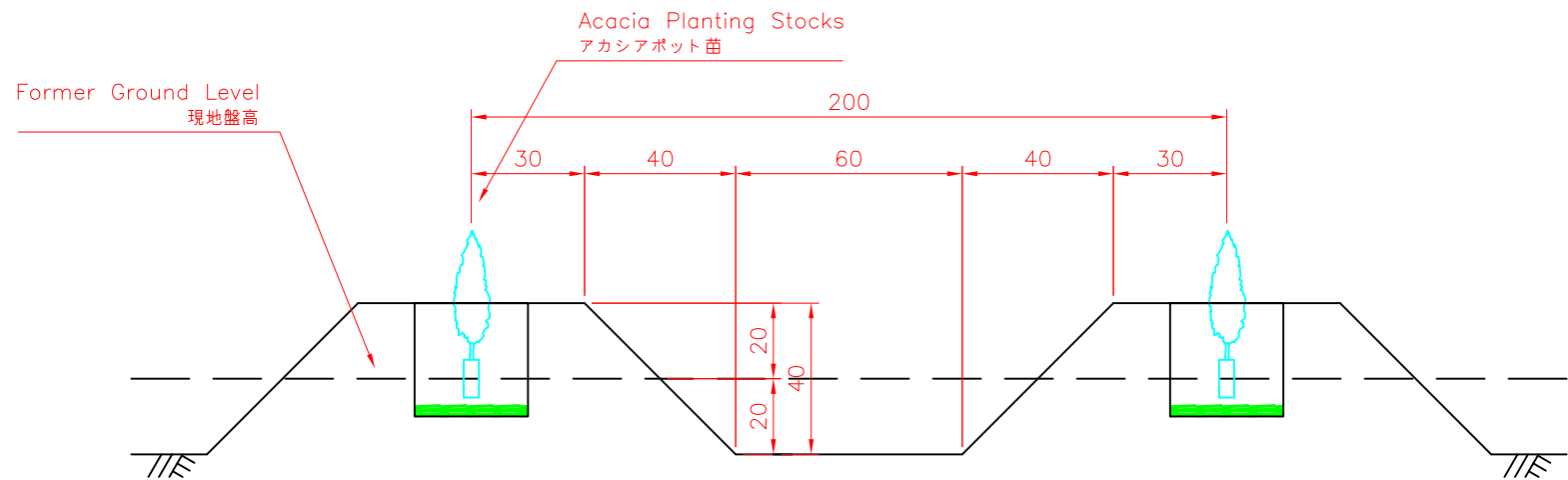
Client :
Project : THE AFFORESTATION PROJECT ON SANDY AREA IN THE SOCIALIST REPUBLIC OF VIETNAM (APSA)
Financed by Grant Aid : JAPAN INTERNATIONAL COOPERATION AGENCY (JICA)
Consultant : JAPAN FOREST ENGINEERING CONSULTANTS (JFEC)
Drawing Title : SITE PLAN OF STRAW COVERING WORK IN MTh-1
Date :
Scale : 1 / 33,333
Drawn by :
Checked by :
Approved by :
PLANTING ANCILLARY WORKS
D - 415

Standard Drawing of Drainage Work

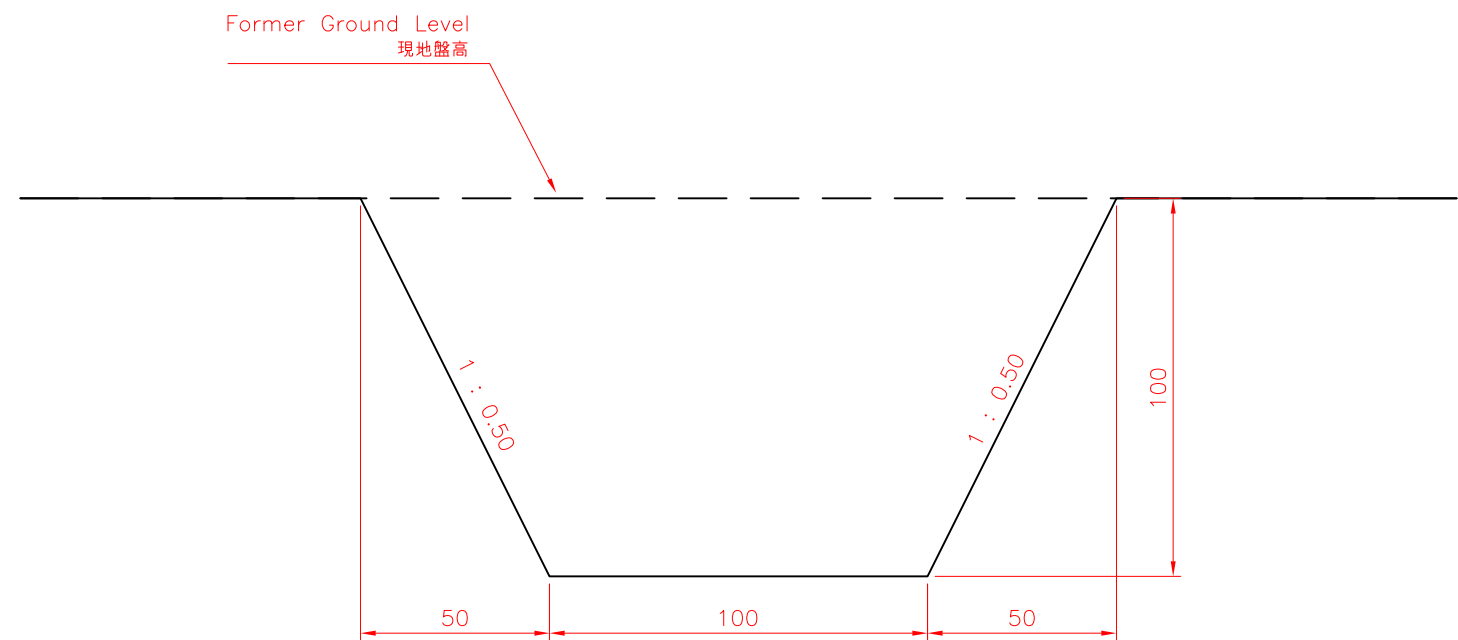
Standard Formation Drawing of Ridge Work SCALE: 1/100



Standard Section Drawing of Ridge Work SCALE: 1/20



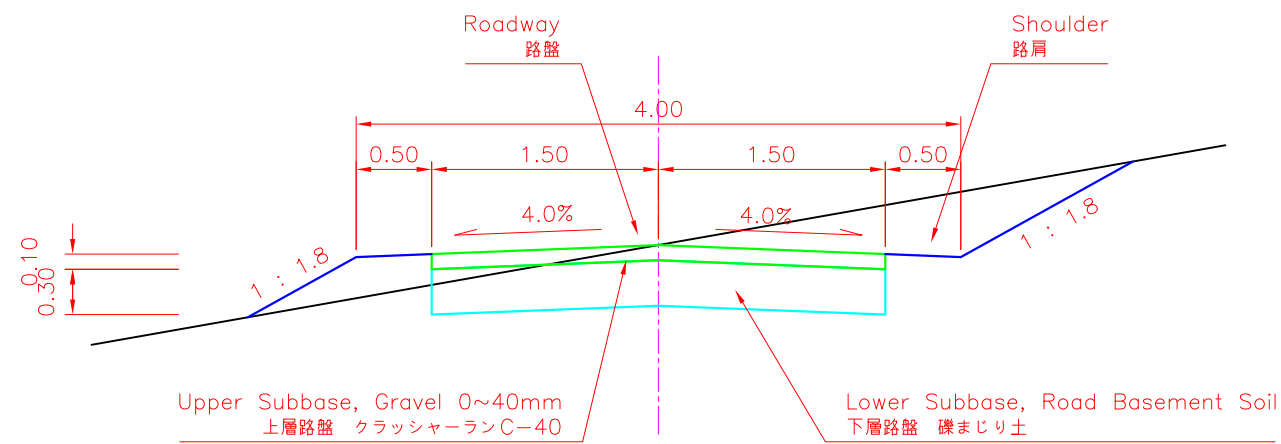
Standard Section Drawing of Water Channel Work SCALE: 1/20



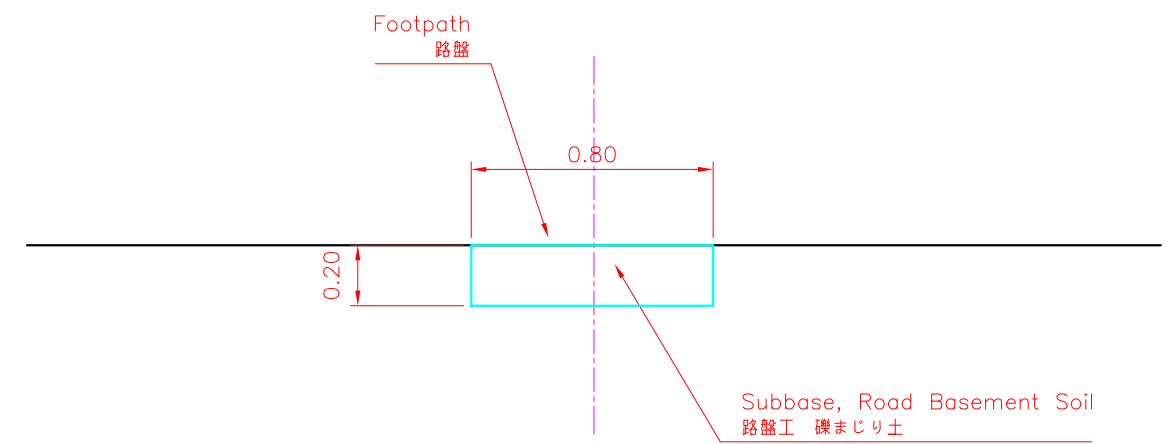
Client :	
Project : THE AFFORESTATION PROJECT ON SANDY AREA IN THE SOCIALIST REPUBLIC OF VIETNAM (APSA)	
Financed by Grant Aid : JAPAN INTERNATIONAL COOPERATION AGENCY (JICA)	
Consultant : JAPAN FOREST ENGINEERING CONSULTANTS (JFEC)	
Drawing Title : STANDARD DRAWING OF DRAINAGE WORK	
Date :	Scale : 1 / 20 and 1/100
Drawn by :	Sheet / Job Title and Drawing No. :
Checked by :	PLANTING ANCILLARY WORK
Approved by :	D - 416

Standard Drawing of Operation Road

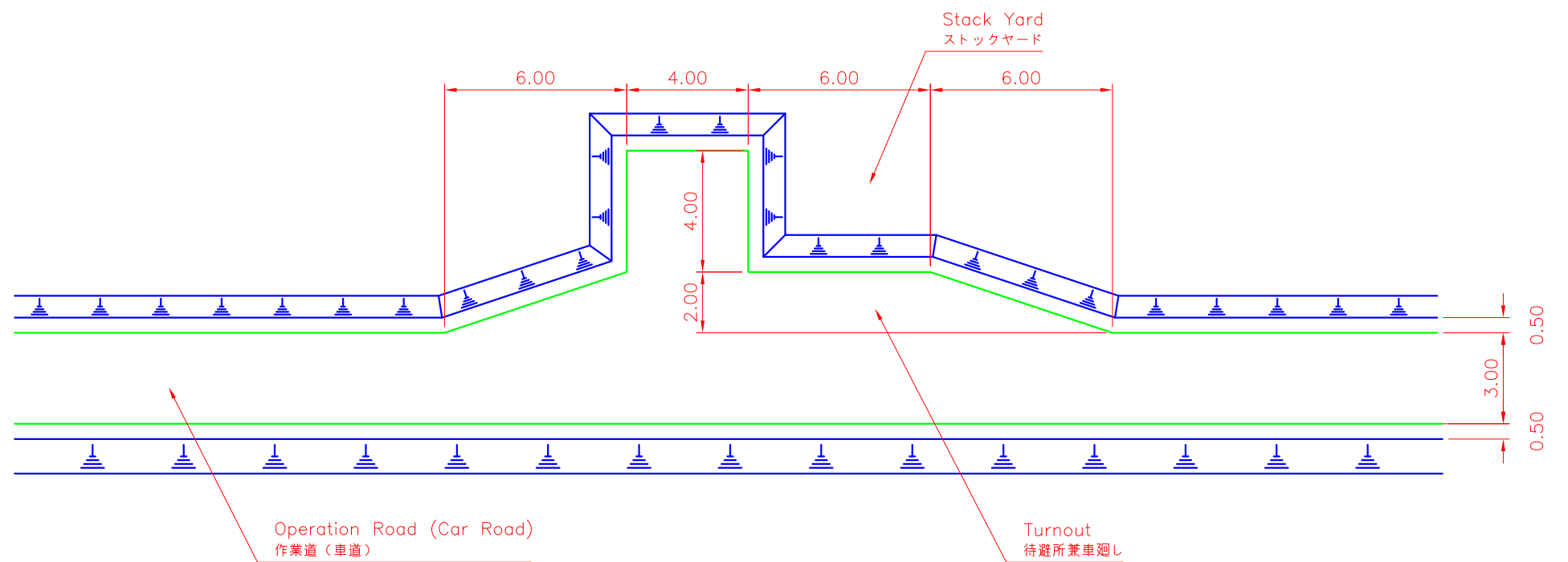
Standard Section Drawing of Operation Road (Car Road)
SCALE: 1/50



Standard Section Drawing of Operation Road (Footpath)
SCALE: 1/25

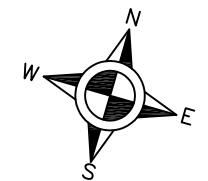
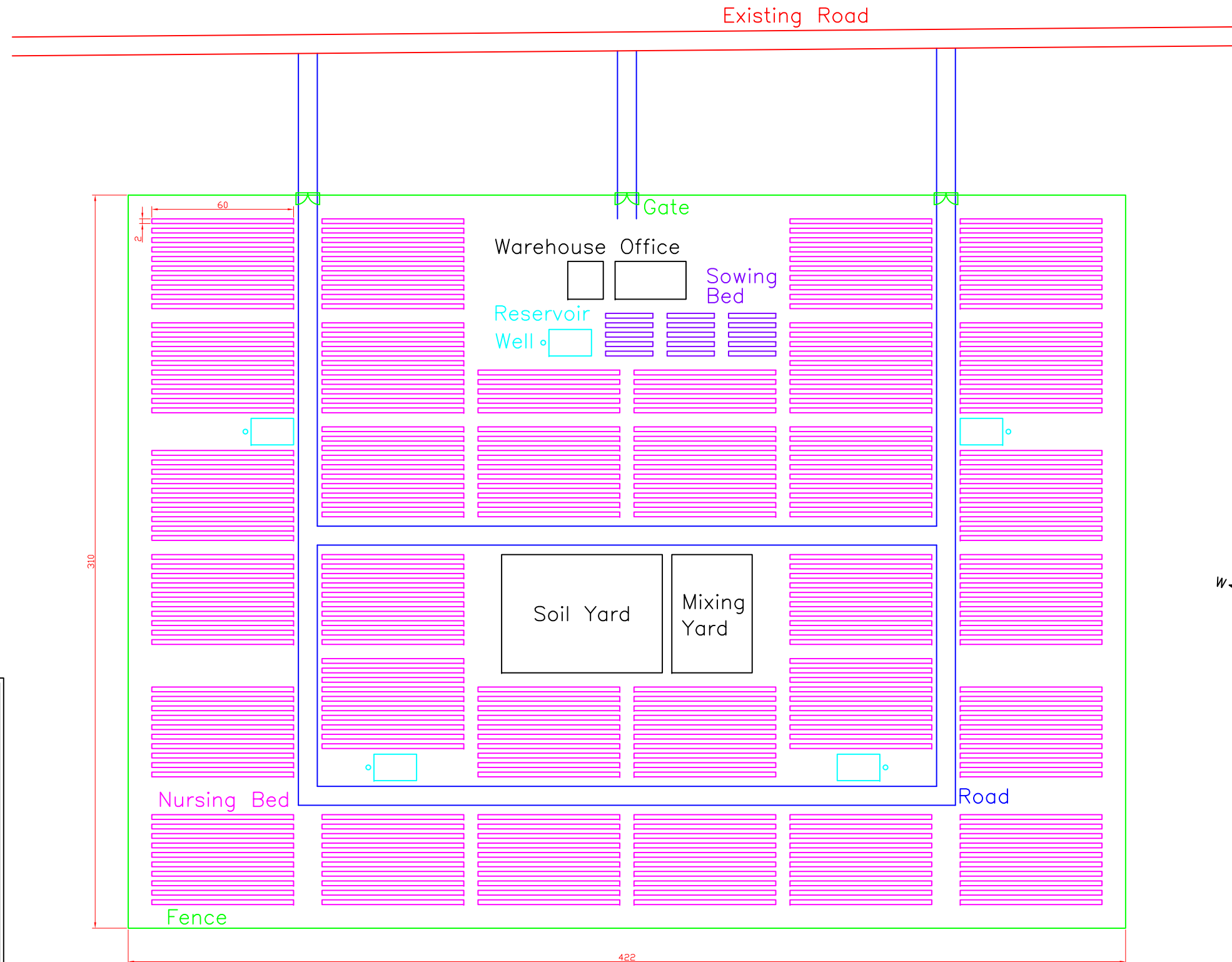


Standard Drawing of Turnout and Stack Yard
SCALE: 1/200



Client :	
Project : THE AFFORESTATION PROJECT ON SANDY AREA IN THE SOCIALIST REPUBLIC OF VIETNAM (APSA)	
Financed by Grant Aid : JAPAN INTERNATIONAL COOPERATION AGENCY (JICA)	
Consultant : JAPAN FOREST ENGINEERING CONSULTANTS (JFEC)	
Drawing Title : STANDARD DRAWING OF OPERATION ROAD	
Date :	Scale : 1 / 50, 1/25 and 1/200
Drawn by :	Sheet / Job Title and Drawing No. :
Checked by :	OPERATION ROAD
Approved by :	D - 501

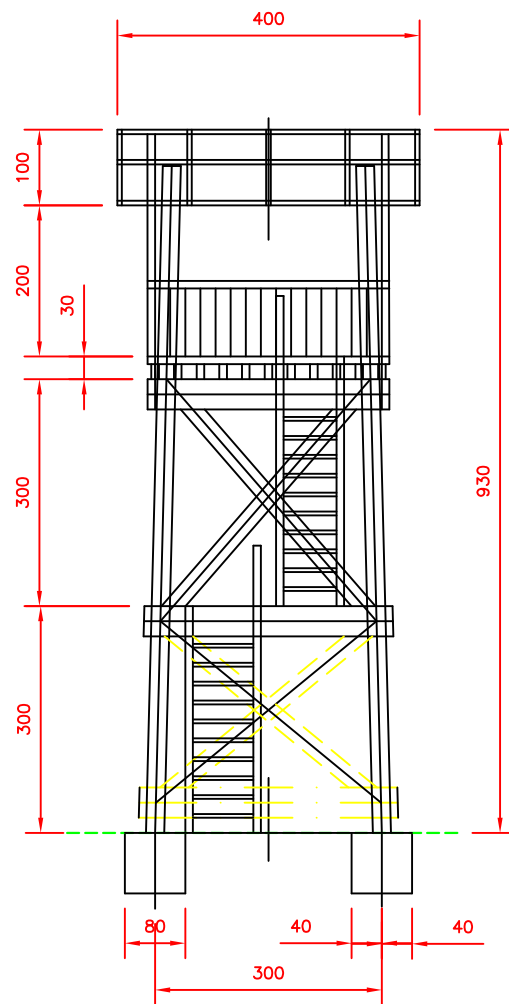
Standard Drawing of Temporary Nursery
SCALE: 1/1,000



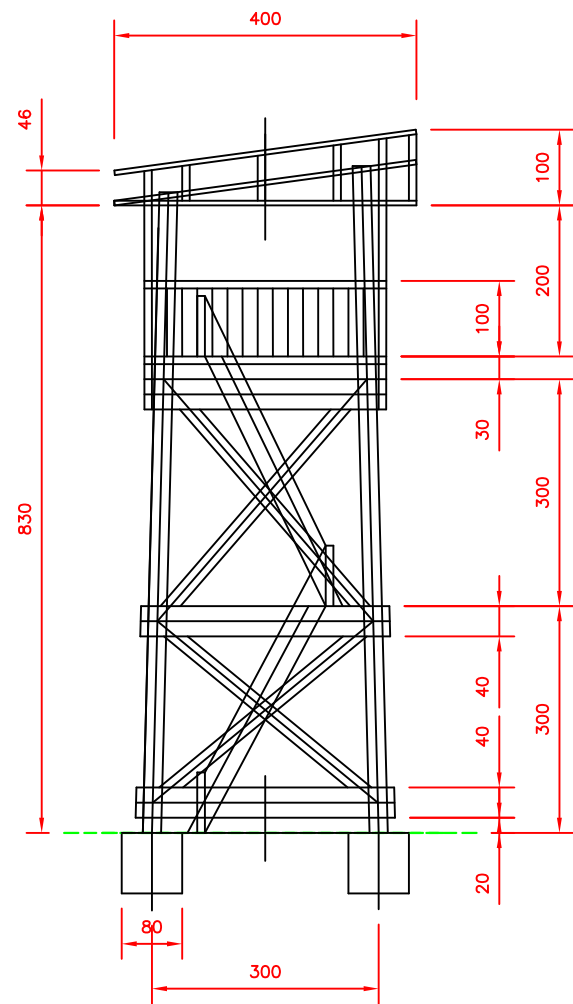
Client :	
Project : THE AFFORESTATION PROJECT ON SANDY AREA IN THE SOCIALIST REPUBLIC OF VIETNAM (APSA)	
Financed by Grant Aid : JAPAN INTERNATIONAL COOPERATION AGENCY (JICA)	
Consultant : JAPAN FOREST ENGINEERING CONSULTANTS (JFEC)	
Drawing Title : STANDARD DRAWING OF TEMPORARY NURSERY	
Date :	Scale : 1/1,000
Drawn by :	Sheet / Job Title and Drawing No. :
Checked by :	TEMPORARY NURSERY D - 601
Approved by :	

Standard Drawing of Lookout Tower
SCALE: 1/100

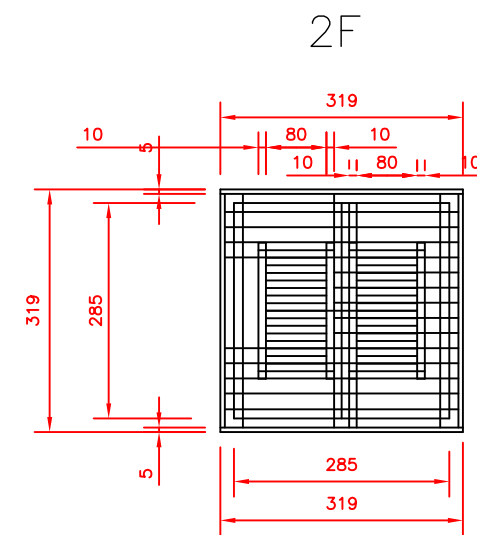
Front View



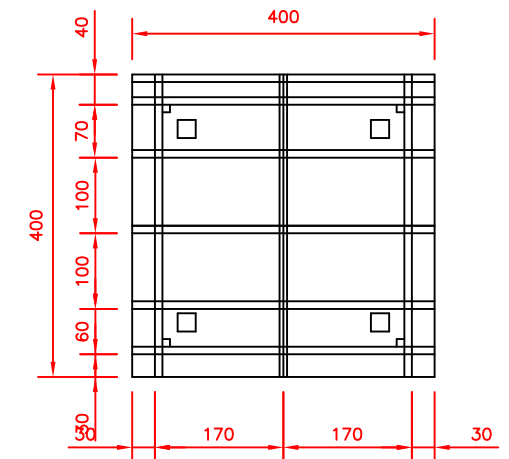
Side View



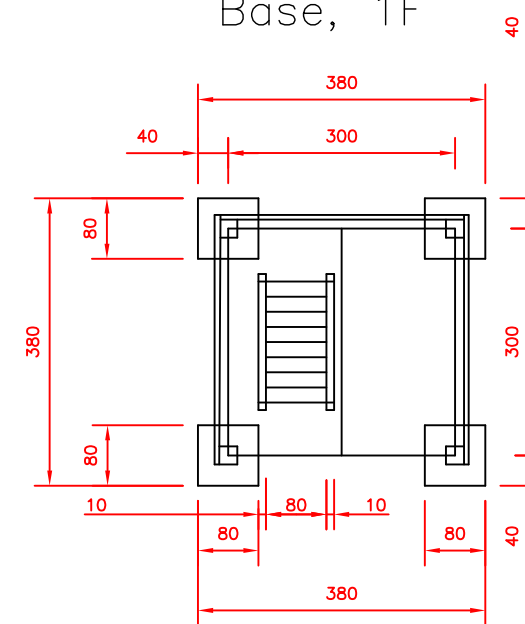
Cross-Section



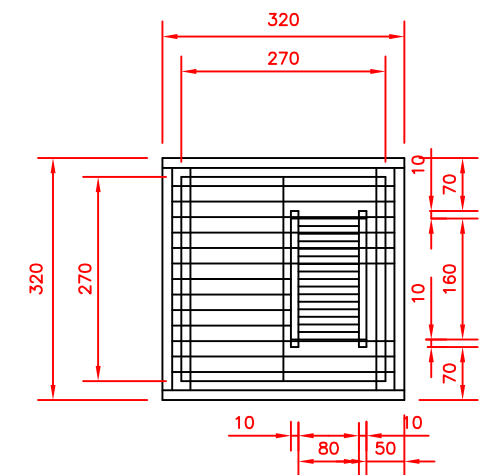
Roof



Base, 1F



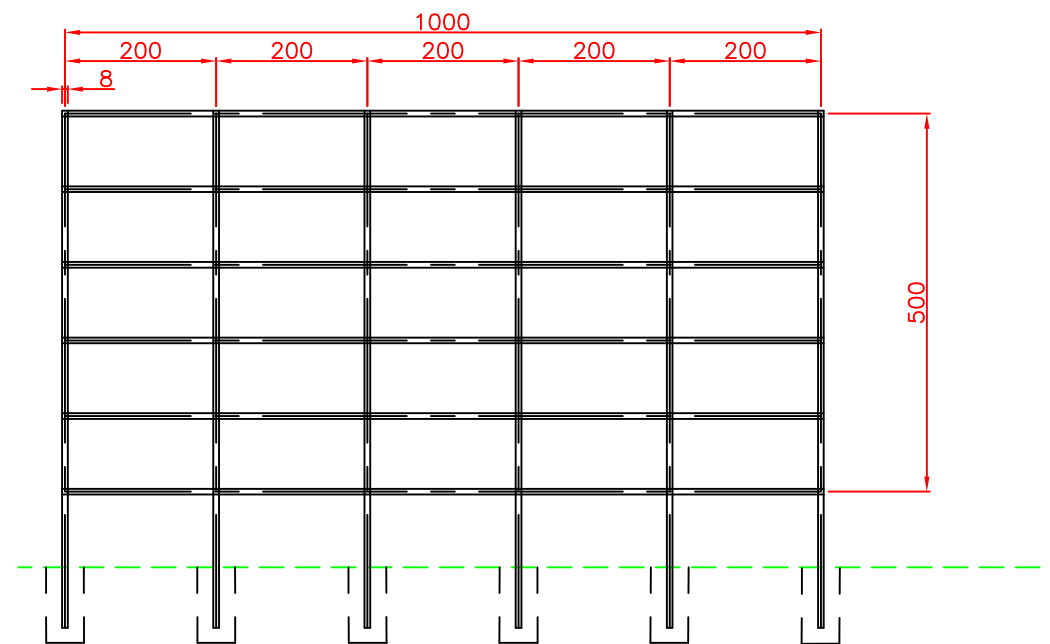
3F



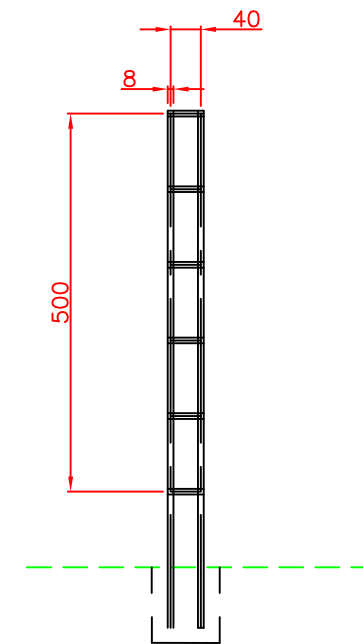
Client :	
Project : THE AFFORESTATION PROJECT ON SANDY AREA IN THE SOCIALIST REPUBLIC OF VIETNAM (APSA)	
Financed by Grant Aid : JAPAN INTERNATIONAL COOPERATION AGENCY (JICA)	
Consultant : JAPAN FOREST ENGINEERING CONSULTANTS (JFEC)	
Drawing Title : STANDARD DRAWING OF LOOKOUT TOWER	
Date :	Scale : 1/100
Drawn by :	Sheet / Job Title and Drawing No. :
Checked by :	LOOKOUT TOWER
Approved by :	D - 701

Standard Drawing of Sign Board
SCALE: 1/100

Front View



Side View



Client :	
Project : THE AFFORESTATION PROJECT ON SANDY AREA IN THE SOCIALIST REPUBLIC OF VIETNAM (APSA)	
Financed by Grant Aid : JAPAN INTERNATIONAL COOPERATION AGENCY (JICA)	
Consultant : JAPAN FOREST ENGINEERING CONSULTANTS (JFEC)	
Drawing Title : STANDARD DRAWING OF SIGN BOARD	
Date :	Scale : 1/100
Drawn by :	Sheet / Job Title and Drawing No. :
Checked by :	SIGN BOARD
Approved by :	D - 801