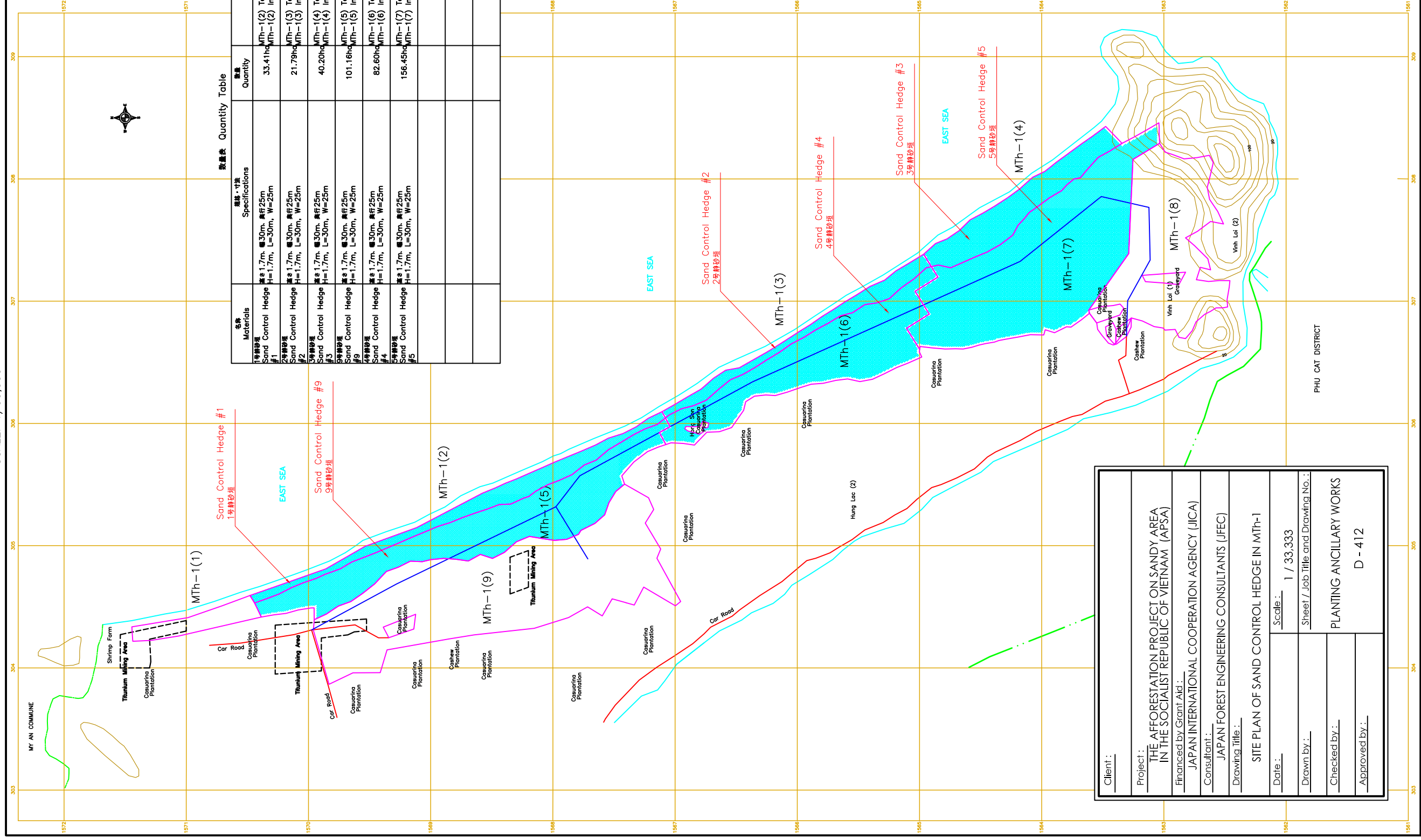


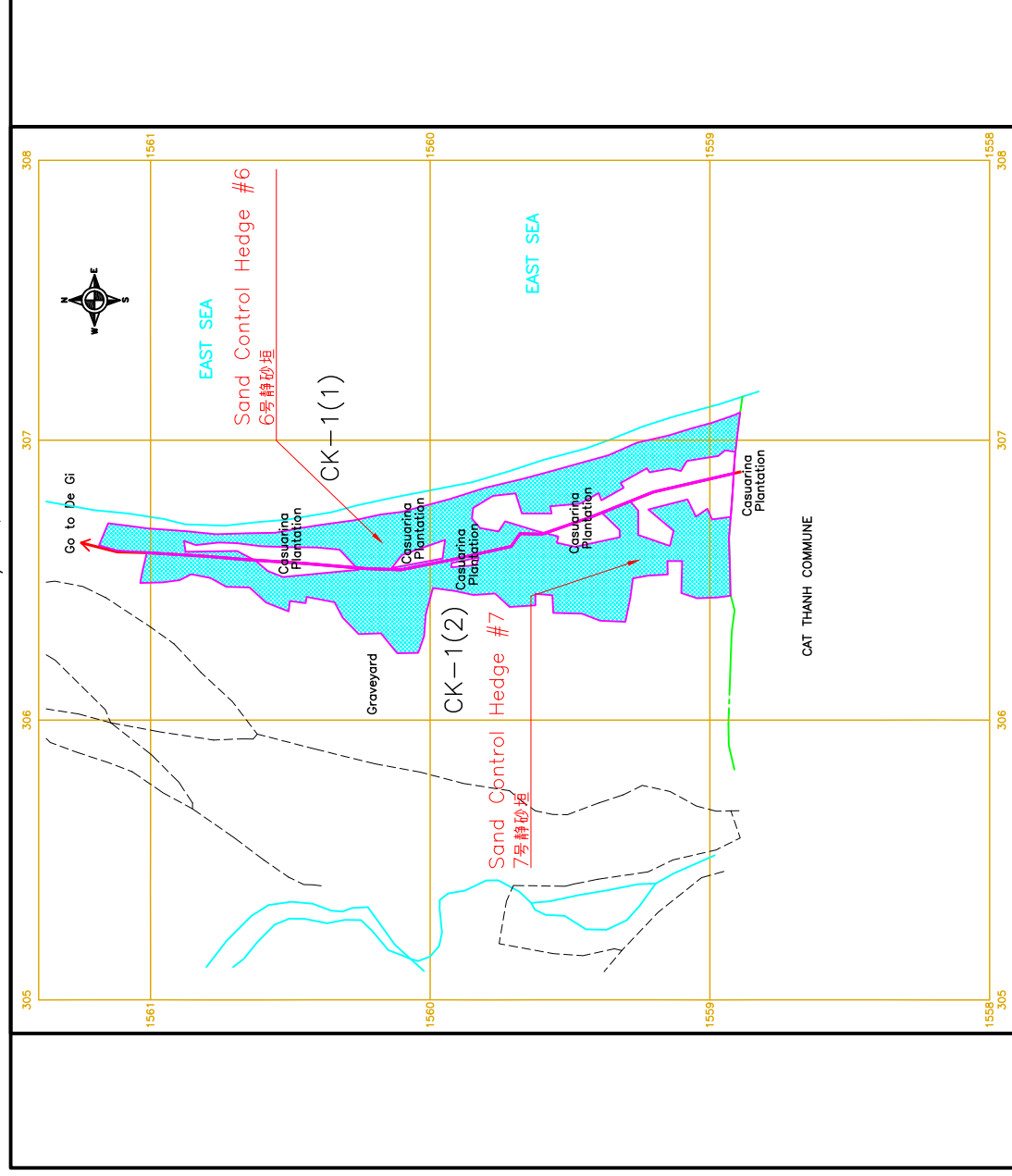
PERIMETER MAP  
FOR AFFORESTATION PROJECT ON SANDY AREA IN VIETNAM  
(AFSA PROJECT)  
MY THANH COMMUNE – PHU MY DISTRICT – BINH DINH PROVINCE  
SCALE: 1/33,333



名称	规格、寸法	数量	备注
沙障材料	规格: 1.7m x 30m, 支柱 25m H=1.7m, L=30m, W=25m	33.41ha MTh-1(2) MTh-1(2)	Term-2施工 implementation in the Term-2
沙障材料	规格: 1.7m x 30m, 支柱 25m H=1.7m, L=30m, W=25m	21.79ha MTh-1(3) MTh-1(3)	Term-2施工 implementation in the Term-2
沙障材料	规格: 1.7m x 30m, 支柱 25m H=1.7m, L=30m, W=25m	40.20ha MTh-1(4) MTh-1(4)	Term-2施工 implementation in the Term-2
沙障材料	规格: 1.7m x 30m, 支柱 25m H=1.7m, L=30m, W=25m	101.16ha MTh-1(5) MTh-1(5)	Term-3施工 implementation in the Term-3
沙障材料	规格: 1.7m x 30m, 支柱 25m H=1.7m, L=30m, W=25m	82.60ha MTh-1(6) MTh-1(6)	Term-2施工 implementation in the Term-2
沙障材料	规格: 1.7m x 30m, 支柱 25m H=1.7m, L=30m, W=25m	156.45ha MTh-1(7) MTh-1(7)	Term-2施工 implementation in the Term-2

Client :	
Project :	THE AFFORESTATION PROJECT ON SANDY AREA IN THE SOCIALIST REPUBLIC OF VIETNAM (AFSA)
Financed by Grant Aid :	JAPAN INTERNATIONAL COOPERATION AGENCY (JICA)
Consultant :	JAPAN FOREST ENGINEERING CONSULTANTS (JFEC)
Drawing Title :	SITE PLAN OF SAND CONTROL HEDGE IN MTH-1
Date :	Scale : 1 / 33,333
Drawn by :	Sheet / Job Title and Drawing No. :
Checked by :	PLANTING ANCILLARY WORKS
Approved by :	D - 412

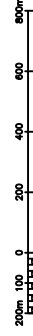
PERIMETER MAP  
FOR AFFORESTATION PROJECT ON SANDY AREA IN VIETNAM  
(APSA PROJECT)  
CAT KHANH COMMUNE – PHU CAT DISTRICT – BINH DINH PROVINCE  
SCALE: 1/25,000



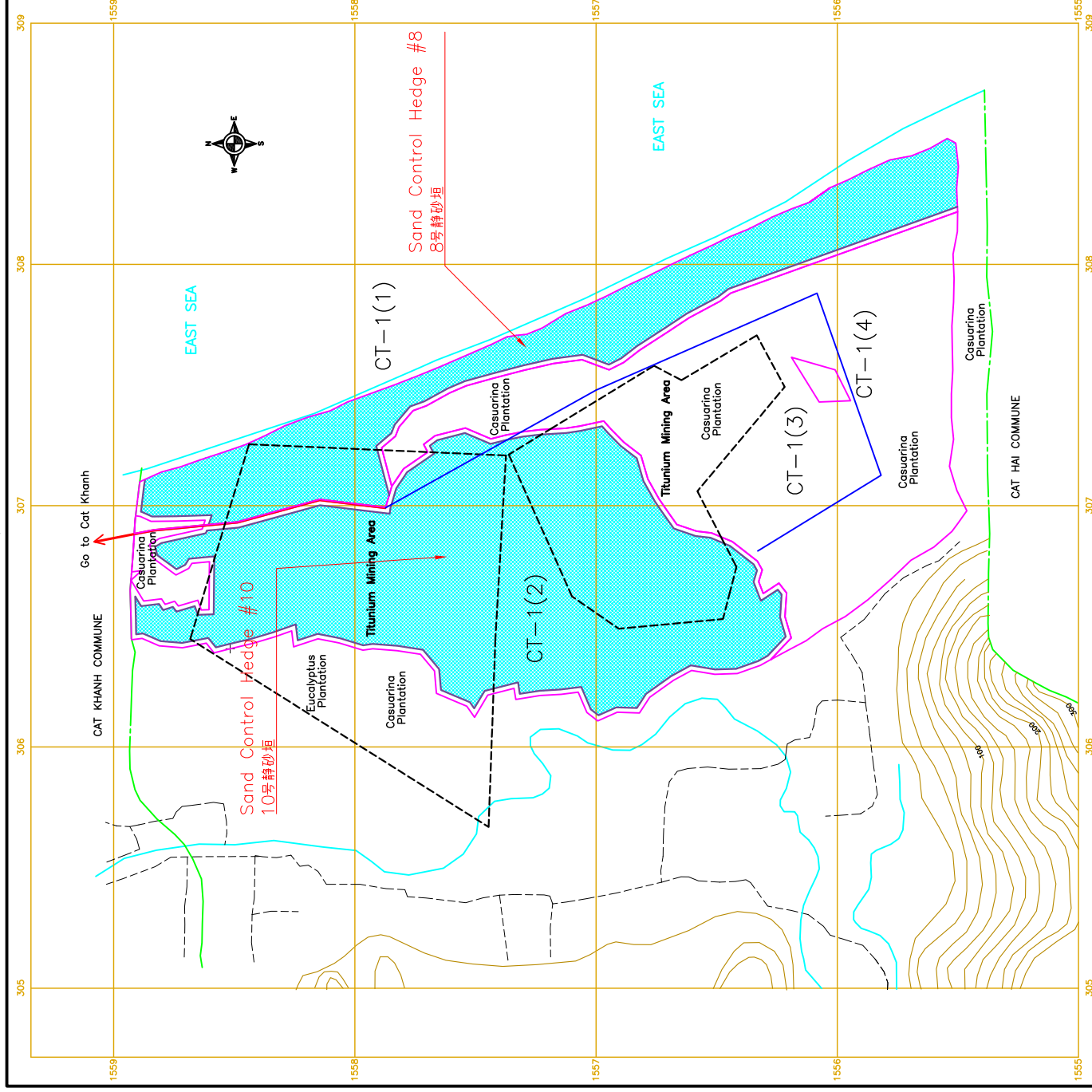
数量表 Quantity Table

名称 Materials	规格、寸法 Specifications	数量 Quantity	備考 Remarks
6号静砂垣 Sand Control Hedge #6	高さ1.7m、幅50m、奥行30m H=1.7m, L=50m, W=30m	26.43ha CK-1(1) CK-1(1)	Term-2施工 Implementation in the Term-2
7号静砂垣 Sand Control Hedge #7	高さ1.7m、幅50m、奥行30m H=1.7m, L=50m, W=30m	38.48ha CK-1(2) CK-1(2)	Term-2施工 Implementation in the Term-2

Client : _____	
Project : THE AFFORESTATION PROJECT ON SANDY AREA IN THE SOCIALIST REPUBLIC OF VIETNAM (APSA)	
Financed by Grant Aid : JAPAN INTERNATIONAL COOPERATION AGENCY (JICA)	
Consultant : JAPAN FOREST ENGINEERING CONSULTANTS (JFEC)	
Drawing Title : SITE PLAN OF SAND CONTROL HEDGE IN CK-1	
Date : _____	Scale : 1 / 25,000
Drawn by : _____	Sheet / Job Title and Drawing No. : _____
Checked by : _____	PLANTING ANCILLARY WORKS
Approved by : _____	D - 413



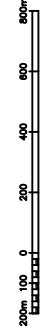
PERIMETER MAP  
FOR AFFORESTATION PROJECT ON SANDY AREA IN VIETNAM  
(APSA PROJECT)  
CAT THANH COMMUNE – PHU CAT DISTRICT – BINH DINH PROVINCE  
SCALE: 1/25,000



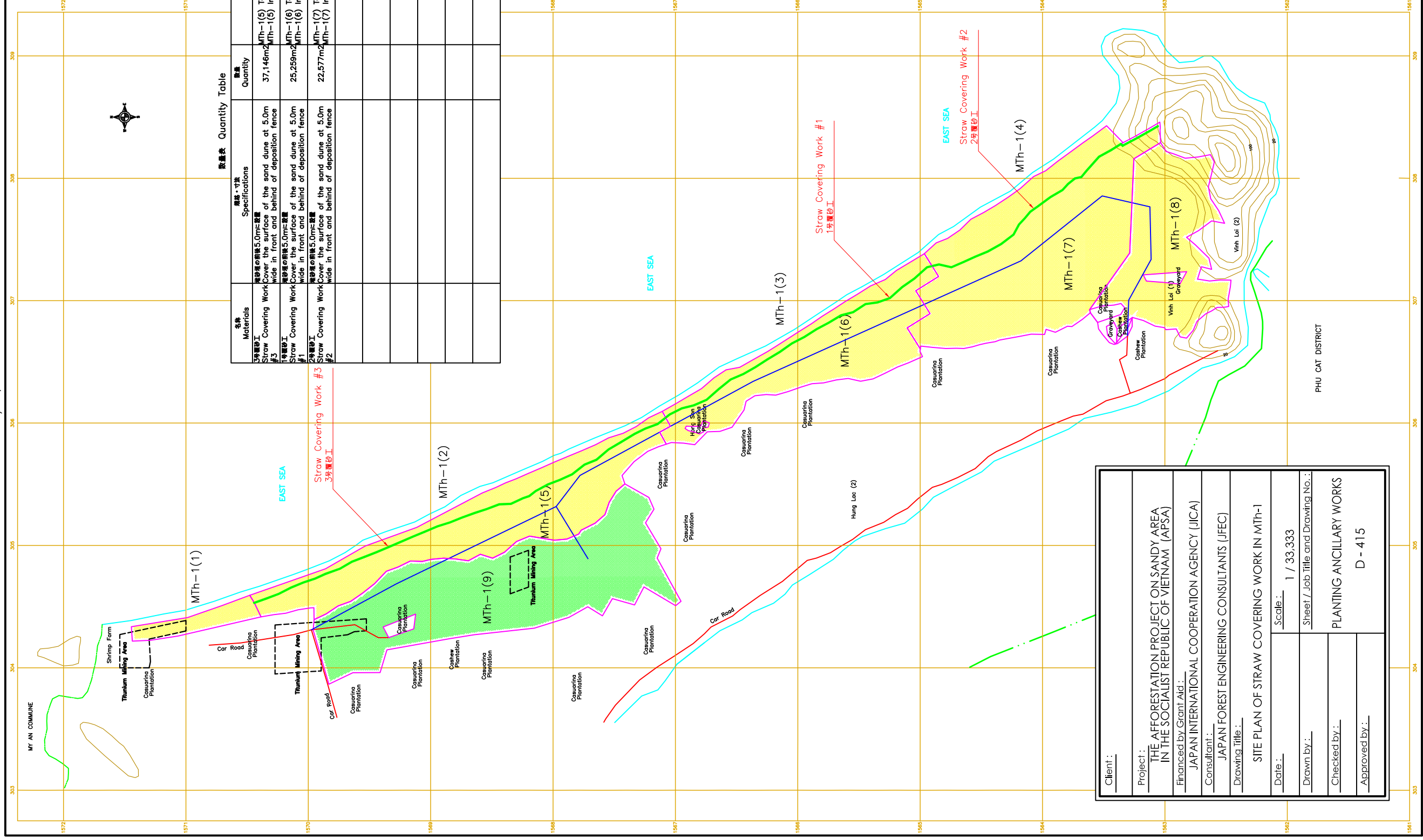
数量表 Quantity Table

名称 Materials	规格・寸法 Specifications	数量 Quantity	備考 Remarks
8号静砂埋 Sand Control Hedge #8	高さ1.7m、幅50m、奥行30m H=1.7m, L=50m, W=30m	82.48ha CT-1(1) Term-2施工 CT-1(1) Implementation in the Term-2	
10号静砂埋 Sand Control Hedge #10	高さ1.7m、幅50m、奥行30m H=1.7m, L=50m, W=30m	179.46ha CT-1(2) Term-3施工 CT-1(2) Implementation in the Term-3	

Client : _____
Project : THE AFFORESTATION PROJECT ON SANDY AREA IN THE SOCIALIST REPUBLIC OF VIETNAM (APSA)
Financed by Grant Aid : JAPAN INTERNATIONAL COOPERATION AGENCY (JICA)
Consultant : JAPAN FOREST ENGINEERING CONSULTANTS (JFEC)
Drawing Title : SITE PLAN OF SAND CONTROL HEDGE IN CT-1
Date : _____ Scale : 1 / 25,000
Drawn by : _____ Sheet / Job Title and Drawing No. : _____
Checked by : _____ PLANTING ANCILLARY WORKS
Approved by : _____ D - 414



PERIMETER MAP  
FOR AFFORESTATION PROJECT ON SANDY AREA IN VIETNAM  
(APSA PROJECT)  
MY THANH COMMUNE – PHU MY DISTRICT – BINH DINH PROVINCE  
SCALE: 1/33,333

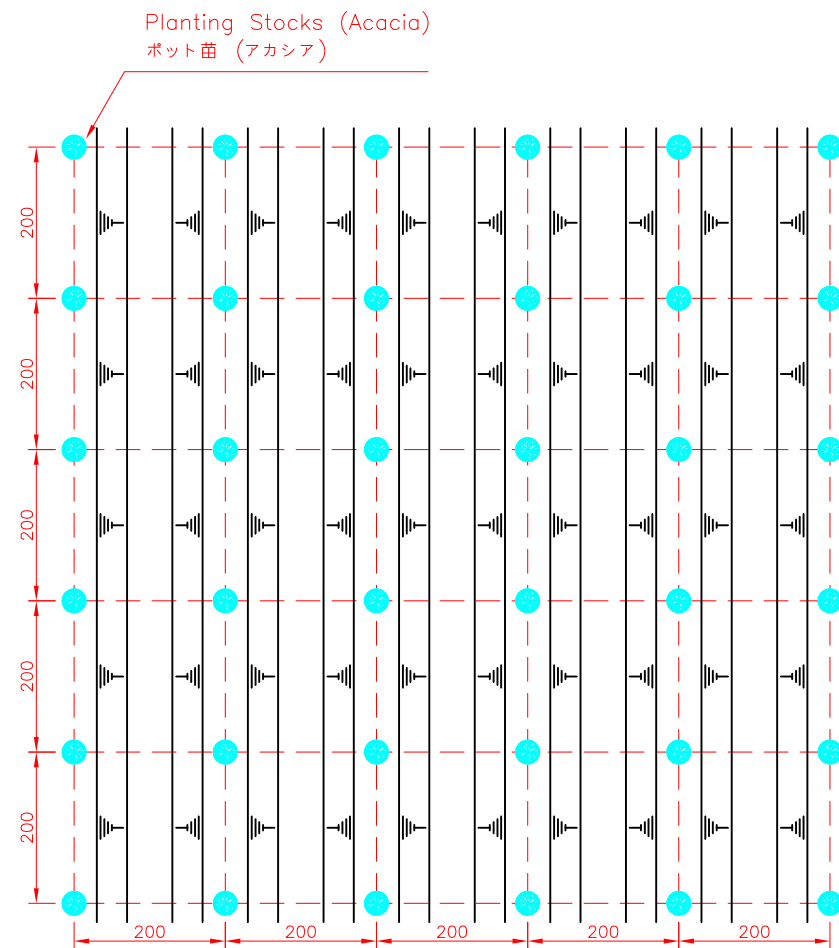


名称 Materials	规格・仕様 Specifications	数量 Quantity	備考 Remarks
稻草覆盖工程 #3 Straw Covering Work #3	埋砂面の前後5.0mに設置 Cover the surface of the sand dune at 5.0m wide in front and behind of deposition fence	37,146m <sup>2</sup> MTh-1(5) MTh-1(5)	Term-3埋 Implementation in the Term-3
稻草覆盖工程 #1 Straw Covering Work #1	埋砂面の前後5.0mに設置 Cover the surface of the sand dune at 5.0m wide in front and behind of deposition fence	25,259m <sup>2</sup> MTh-1(6) MTh-1(6)	Term-2埋 Implementation in the Term-2
稻草覆盖工程 #2 Straw Covering Work #2	埋砂面の前後5.0mに設置 Cover the surface of the sand dune at 5.0m wide in front and behind of deposition fence	22,577m <sup>2</sup> MTh-1(7) MTh-1(7)	Term-2埋 Implementation in the Term-2

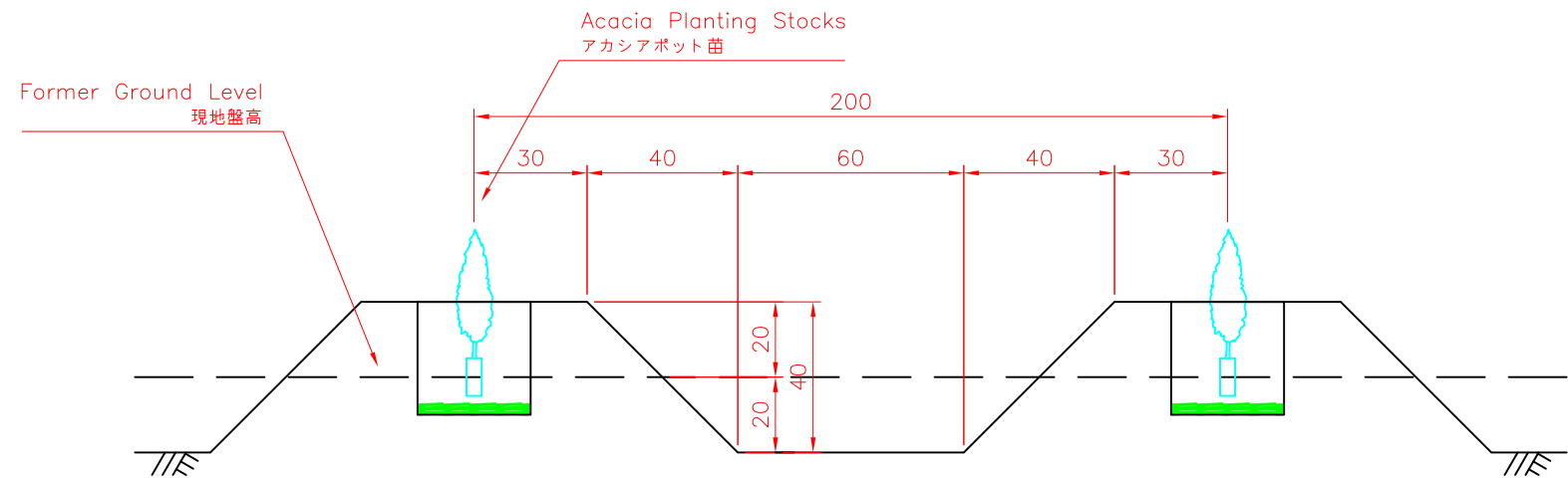
Client:	
Project:	THE AFFORESTATION PROJECT ON SANDY AREA IN THE SOCIALIST REPUBLIC OF VIETNAM (APSA)
Financed by Grant Aid:	JAPAN INTERNATIONAL COOPERATION AGENCY (JICA)
Consultant:	JAPAN FOREST ENGINEERING CONSULTANTS (JFEC)
Drawing Title:	SITE PLAN OF STRAW COVERING WORK IN MTh-1
Date:	Scale: 1 / 33,333
Drawn by:	Sheet / Job Title and Drawing No.:
Checked by:	PLANTING ANCILLARY WORKS
Approved by:	D - 415

# Standard Drawing of Drainage Work

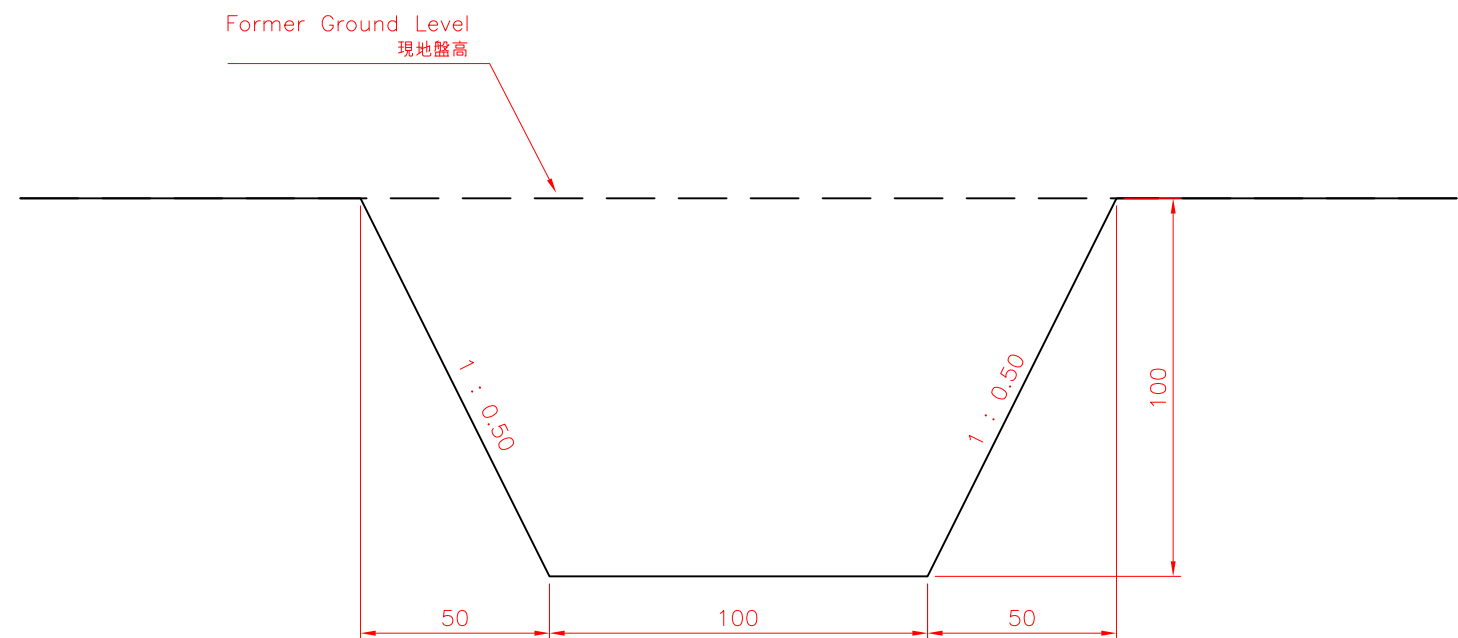
## Standard Formation Drawing of Ridge Work SCALE: 1/100



## Standard Section Drawing of Ridge Work SCALE: 1/20



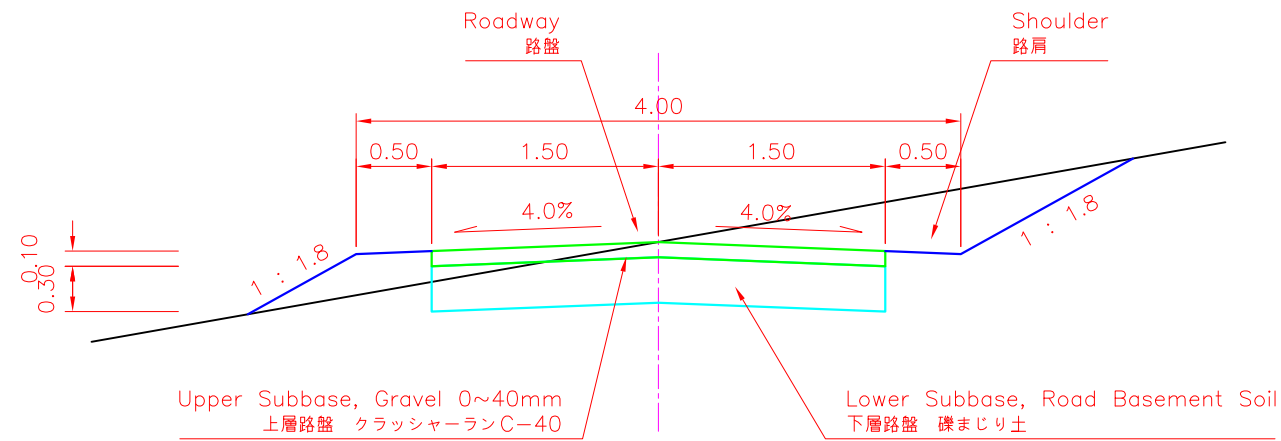
## Standard Section Drawing of Water Channel Work SCALE: 1/20



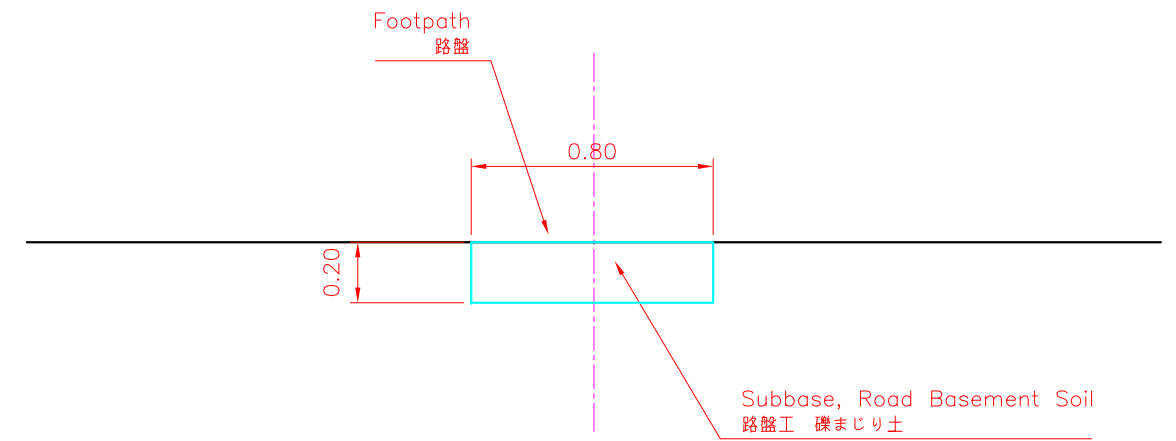
Client :	
Project : THE AFFORESTATION PROJECT ON SANDY AREA IN THE SOCIALIST REPUBLIC OF VIETNAM (APSA)	
Financed by Grant Aid : JAPAN INTERNATIONAL COOPERATION AGENCY (JICA)	
Consultant : JAPAN FOREST ENGINEERING CONSULTANTS (JFEC)	
Drawing Title : STANDARD DRAWING OF DRAINAGE WORK	
Date :	Scale : 1 / 20 and 1/100
Drawn by :	Sheet / Job Title and Drawing No. :
Checked by :	PLANTING ANCILLARY WORK
Approved by :	D - 416

# Standard Drawing of Operation Road

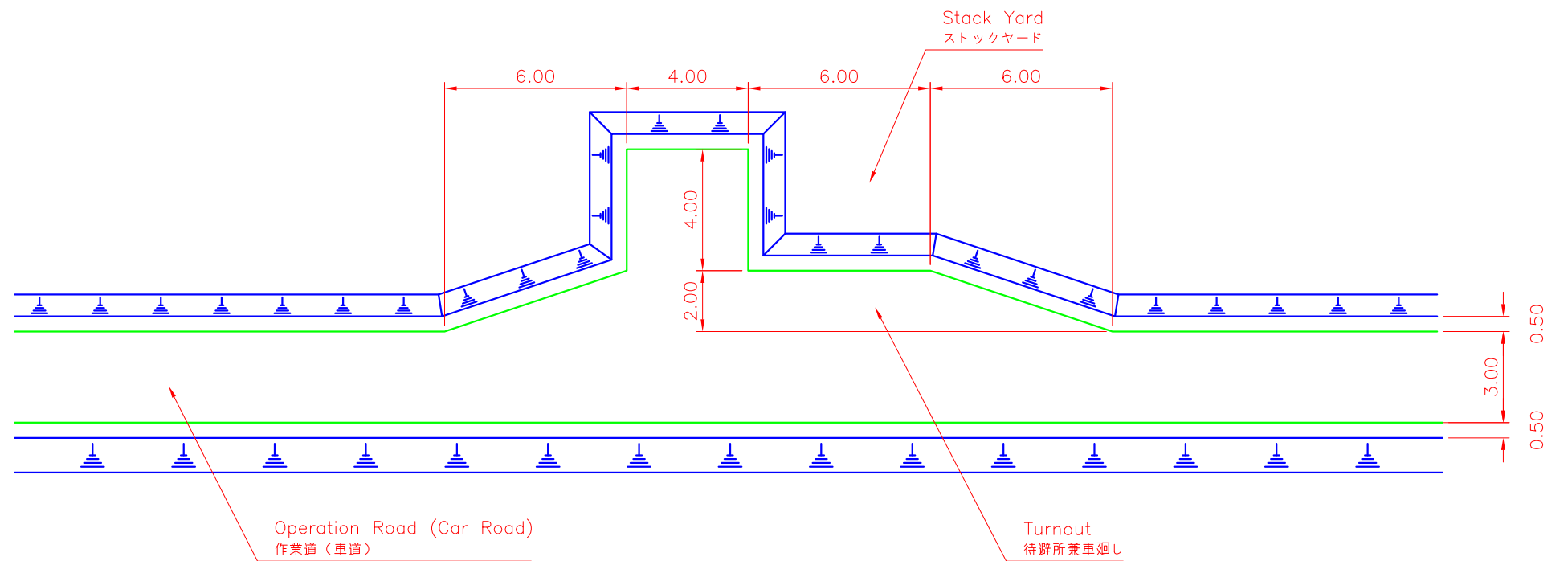
Standard Section Drawing of Operation Road (Car Road)  
SCALE: 1/50



Standard Section Drawing of Operation Road (Footpath)  
SCALE: 1/25

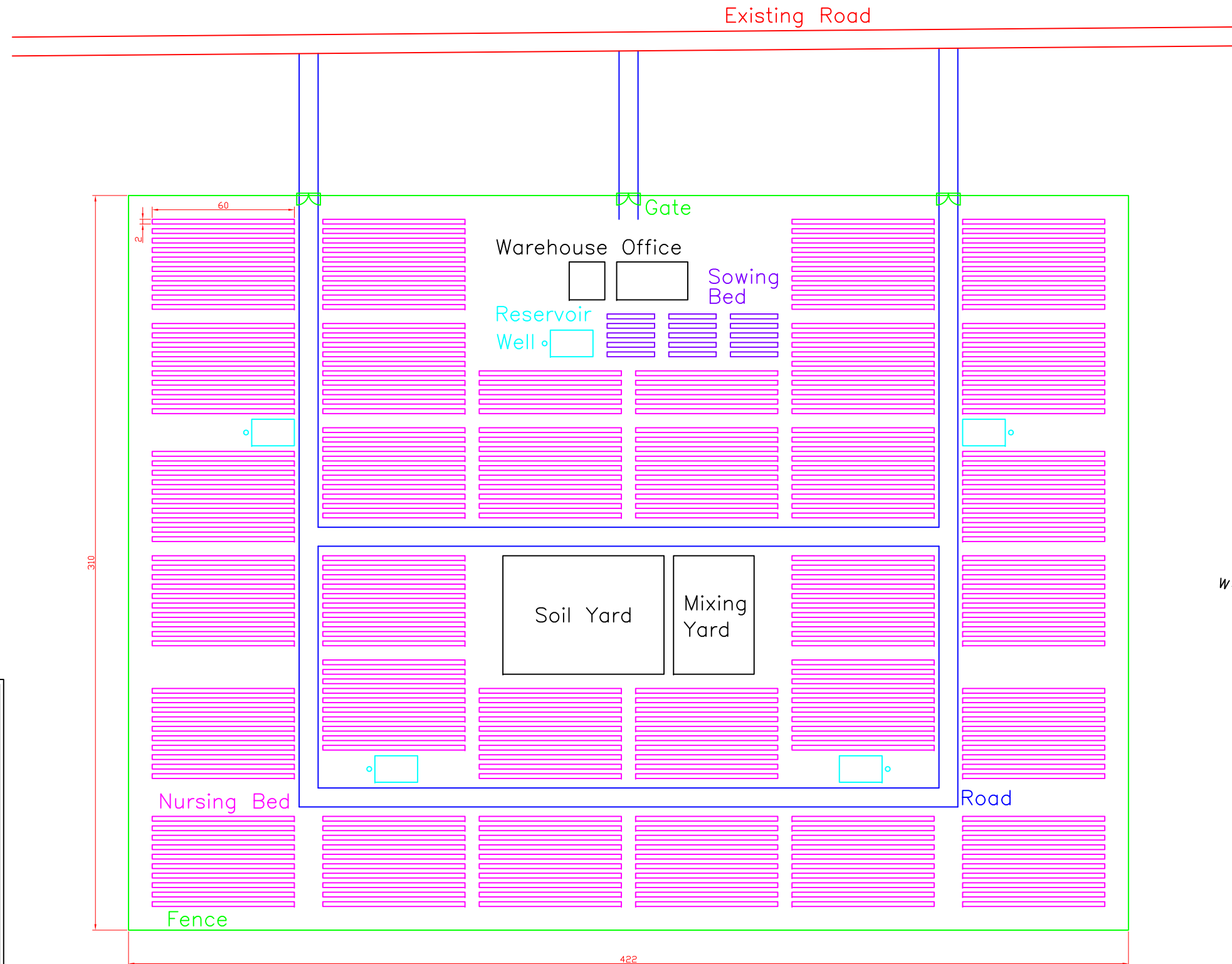


Standard Drawing of Turnout and Stack Yard  
SCALE: 1/200



Client :	
Project : THE AFFORESTATION PROJECT ON SANDY AREA IN THE SOCIALIST REPUBLIC OF VIETNAM (APSA)	
Financed by Grant Aid : JAPAN INTERNATIONAL COOPERATION AGENCY (JICA)	
Consultant : JAPAN FOREST ENGINEERING CONSULTANTS (JFEC)	
Drawing Title : STANDARD DRAWING OF OPERATION ROAD	
Date :	Scale : 1 / 50, 1/25 and 1/200
Drawn by :	Sheet / Job Title and Drawing No. :
Checked by :	OPERATION ROAD
Approved by :	D - 501

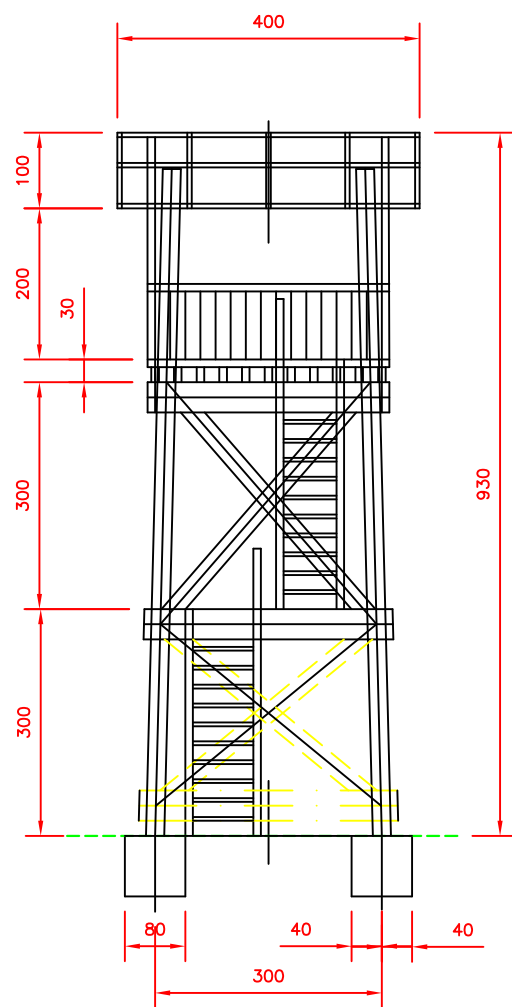
Standard Drawing of Temporary Nursery  
SCALE: 1/1,000



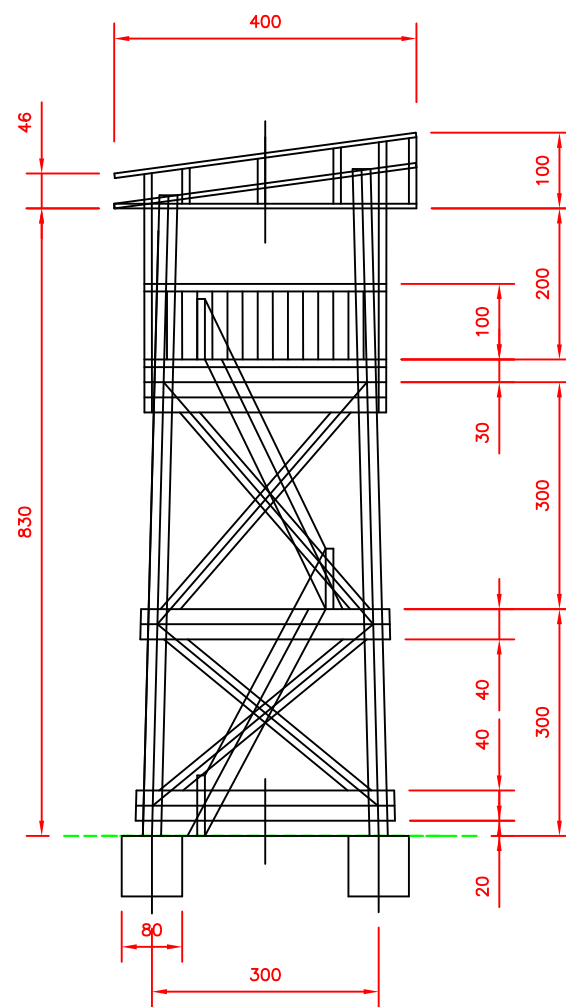
Client :	
Project : THE AFFORESTATION PROJECT ON SANDY AREA IN THE SOCIALIST REPUBLIC OF VIETNAM (APSA)	
Financed by Grant Aid : JAPAN INTERNATIONAL COOPERATION AGENCY (JICA)	
Consultant : JAPAN FOREST ENGINEERING CONSULTANTS (JFEC)	
Drawing Title : STANDARD DRAWING OF TEMPORARY NURSERY	
Date :	Scale : 1/1,000
Drawn by :	Sheet / Job Title and Drawing No. :
Checked by :	TEMPORARY NURSERY D - 601
Approved by :	

Standard Drawing of Lookout Tower  
SCALE: 1/100

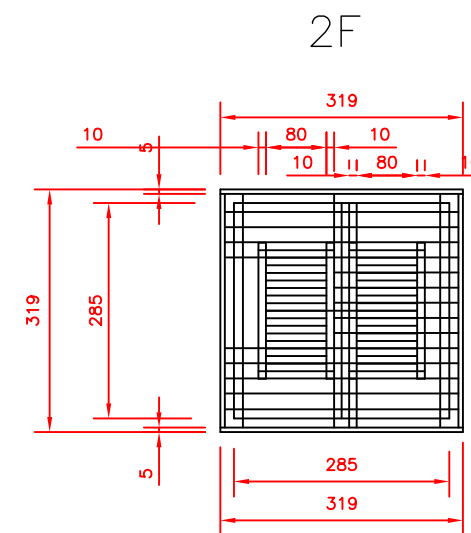
Front View



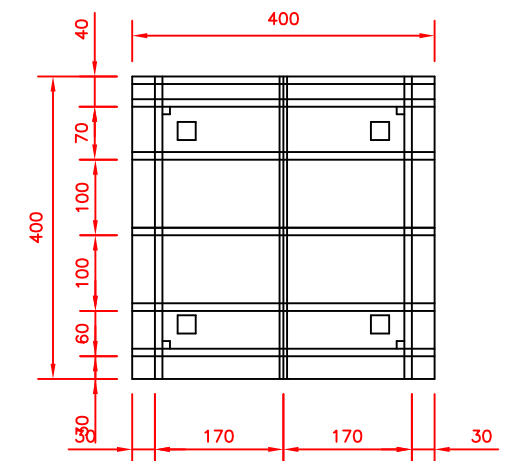
Side View



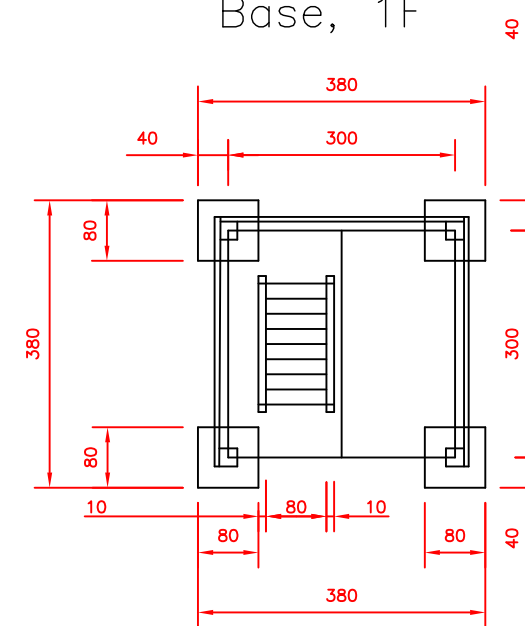
Cross-Section



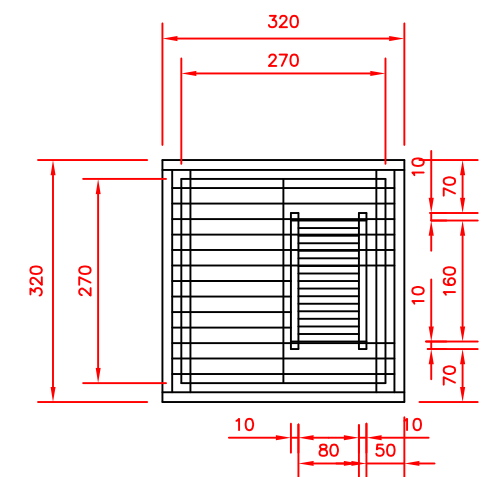
Roof



Base, 1F



3F

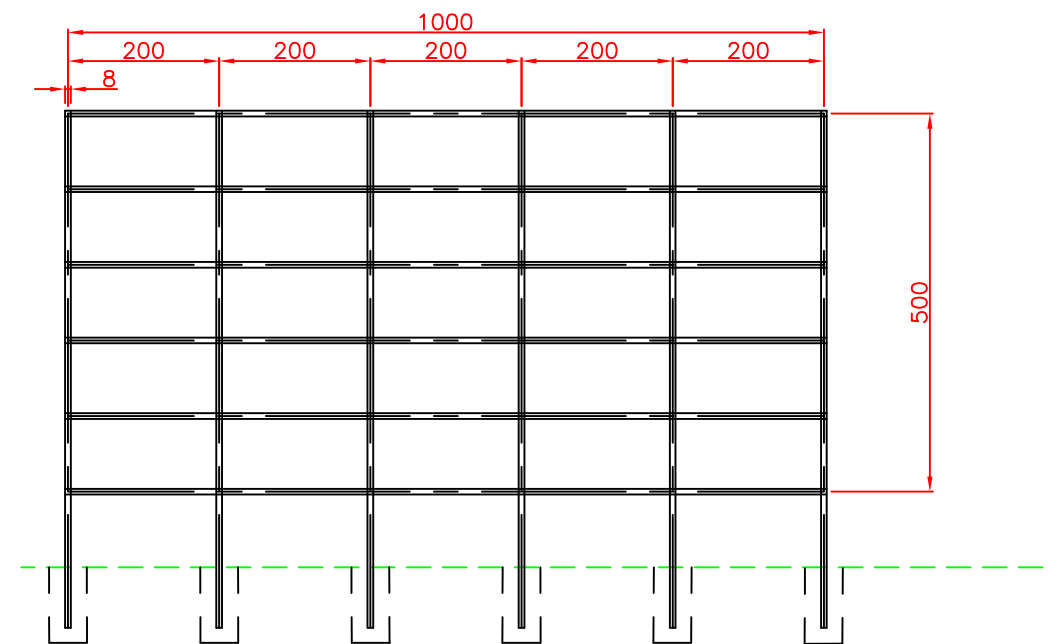


Client :	
Project : THE AFFORESTATION PROJECT ON SANDY AREA IN THE SOCIALIST REPUBLIC OF VIETNAM (APSA)	
Financed by Grant Aid : JAPAN INTERNATIONAL COOPERATION AGENCY (JICA)	
Consultant : JAPAN FOREST ENGINEERING CONSULTANTS (JFEC)	
Drawing Title : STANDARD DRAWING OF LOOKOUT TOWER	
Date :	Scale : 1/100
Drawn by :	Sheet / Job Title and Drawing No. :
Checked by :	LOOKOUT TOWER
Approved by :	D - 701

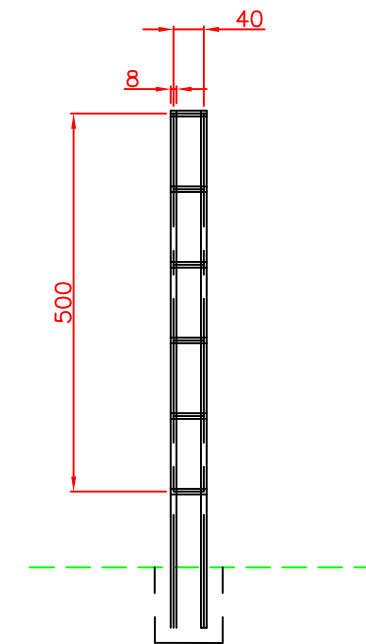


Standard Drawing of Sign Board  
SCALE: 1/100

Front View



Side View



Client :	
Project : THE AFFORESTATION PROJECT ON SANDY AREA IN THE SOCIALIST REPUBLIC OF VIETNAM (APSA)	
Financed by Grant Aid : JAPAN INTERNATIONAL COOPERATION AGENCY (JICA)	
Consultant : JAPAN FOREST ENGINEERING CONSULTANTS (JFEC)	
Drawing Title : STANDARD DRAWING OF SIGN BOARD	
Date :	Scale : 1/100
Drawn by :	Sheet / Job Title and Drawing No. :
Checked by :	SIGN BOARD
Approved by :	D - 801