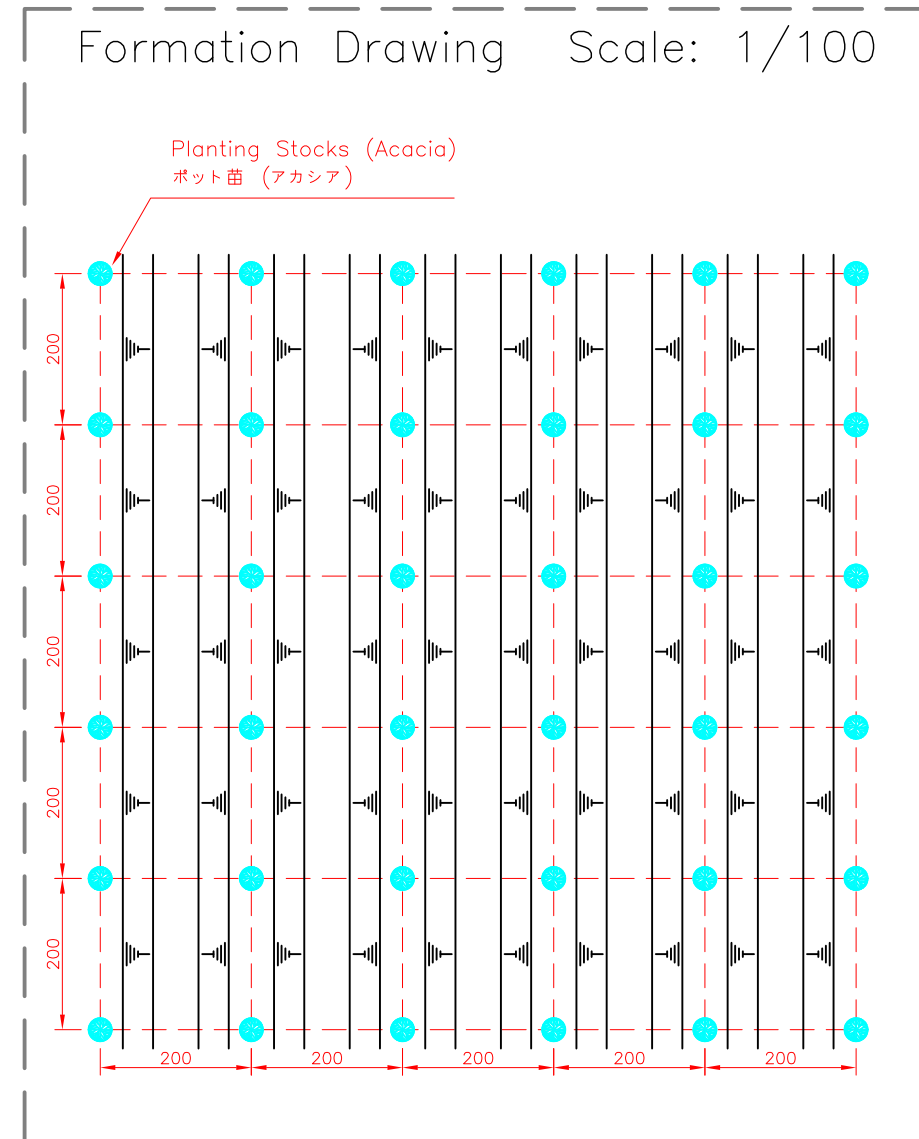
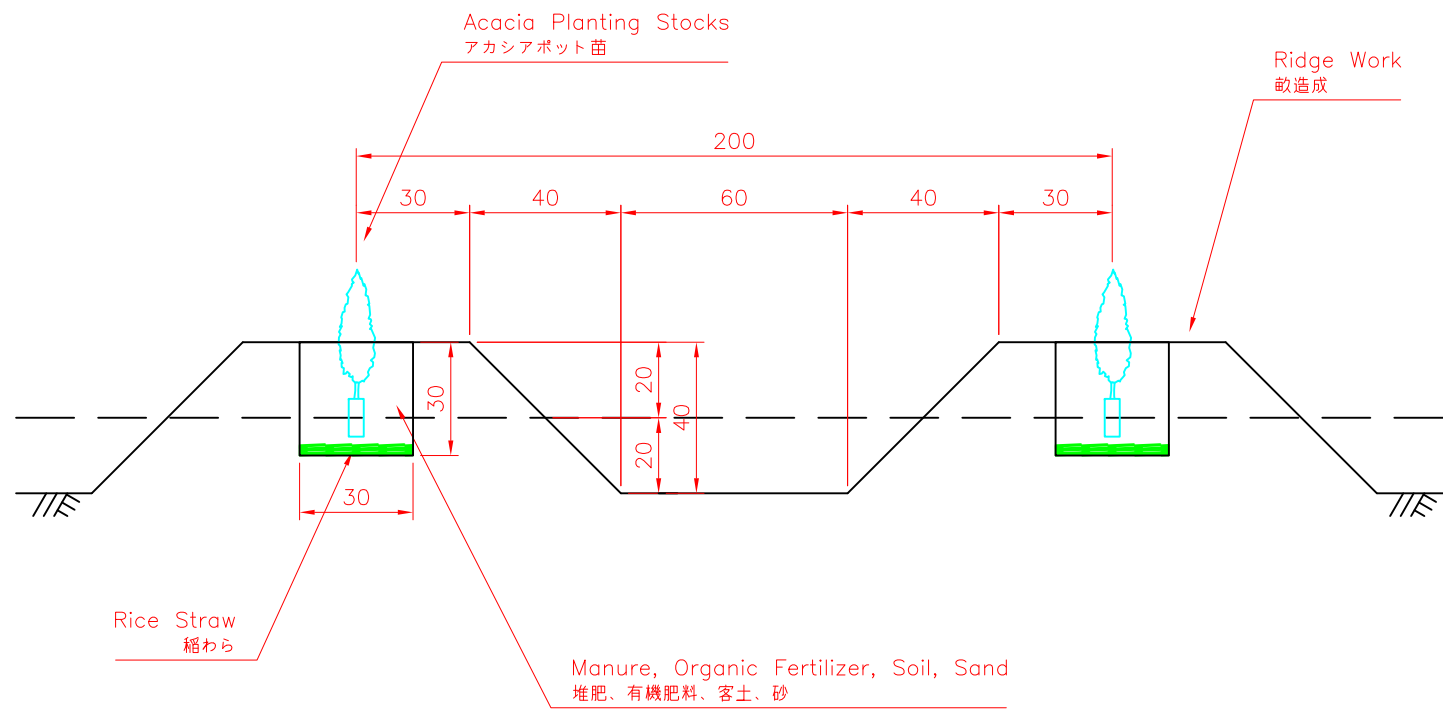


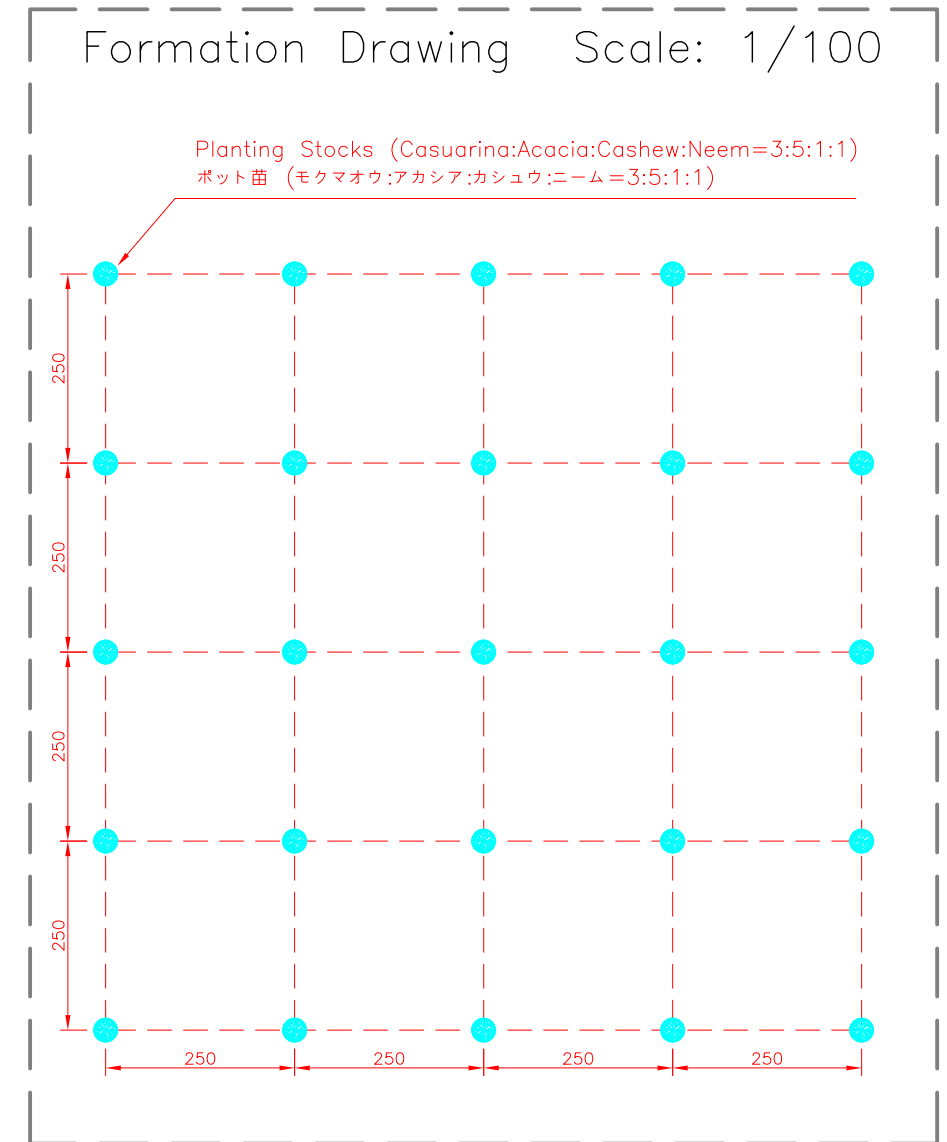
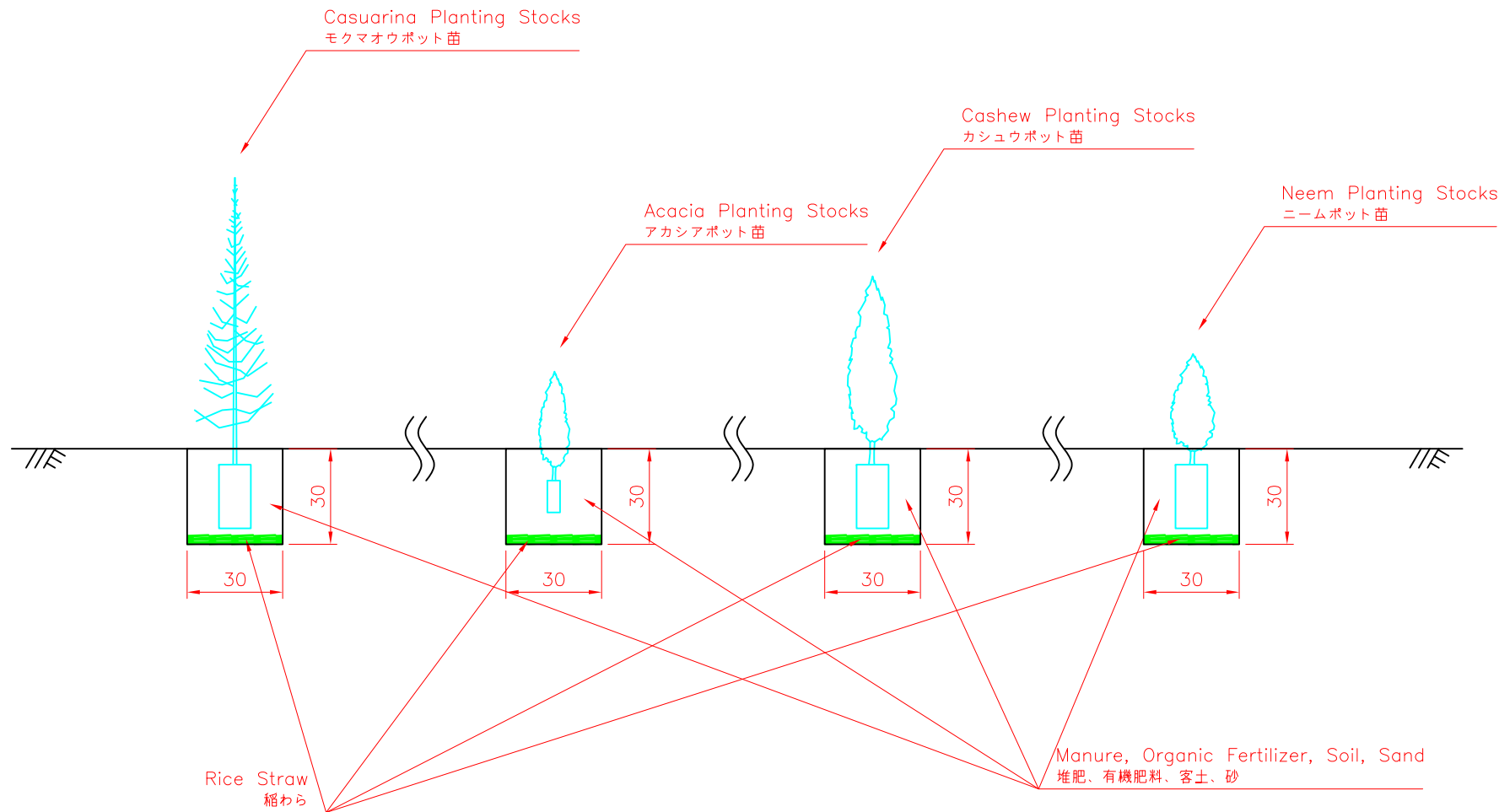
Standard Drawing of Planting, NP-AC-25 (Normal Planting, Acacia, 2,500 Trees/ha)
SCALE: 1/20



Client :	
Project : THE AFFORESTATION PROJECT ON SANDY AREA IN THE SOCIALIST REPUBLIC OF VIETNAM (APSA)	
Financed by Grant Aid : JAPAN INTERNATIONAL COOPERATION AGENCY (JICA)	
Consultant : JAPAN FOREST ENGINEERING CONSULTANTS (JFEC)	
Drawing Title : STANDARD DRAWING OF PLANTING, NP-AC-25 (Normal Planting, Acacia, 2,500 trees/ha)	
Date :	Scale : 1 / 20 and 1/100
Drawn by :	Sheet / Job Title and Drawing No. :
Checked by :	PLANTING D - 302
Approved by :	

樹種別の肥料等一覧 The List of Fertilizers and other materials by Tree Species					
樹種名 Species	合計 Total	堆肥 Manure	有機肥料 Organic Fertilizer	客土 Soil	稲わら Rice Straw
アカシア Acacia	3.825 kg/tree	0.375 kg/tree	50 g/tree	3.000 kg/tree	400 g/tree

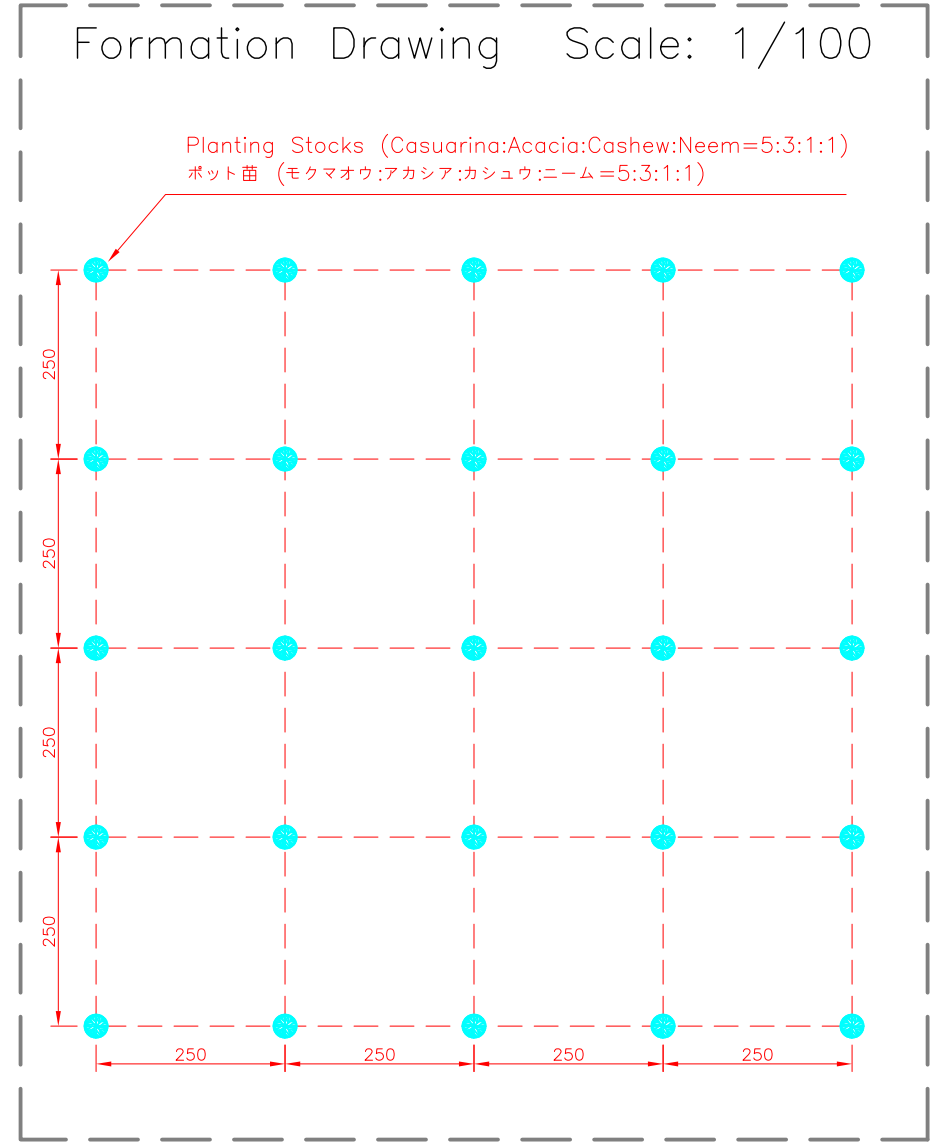
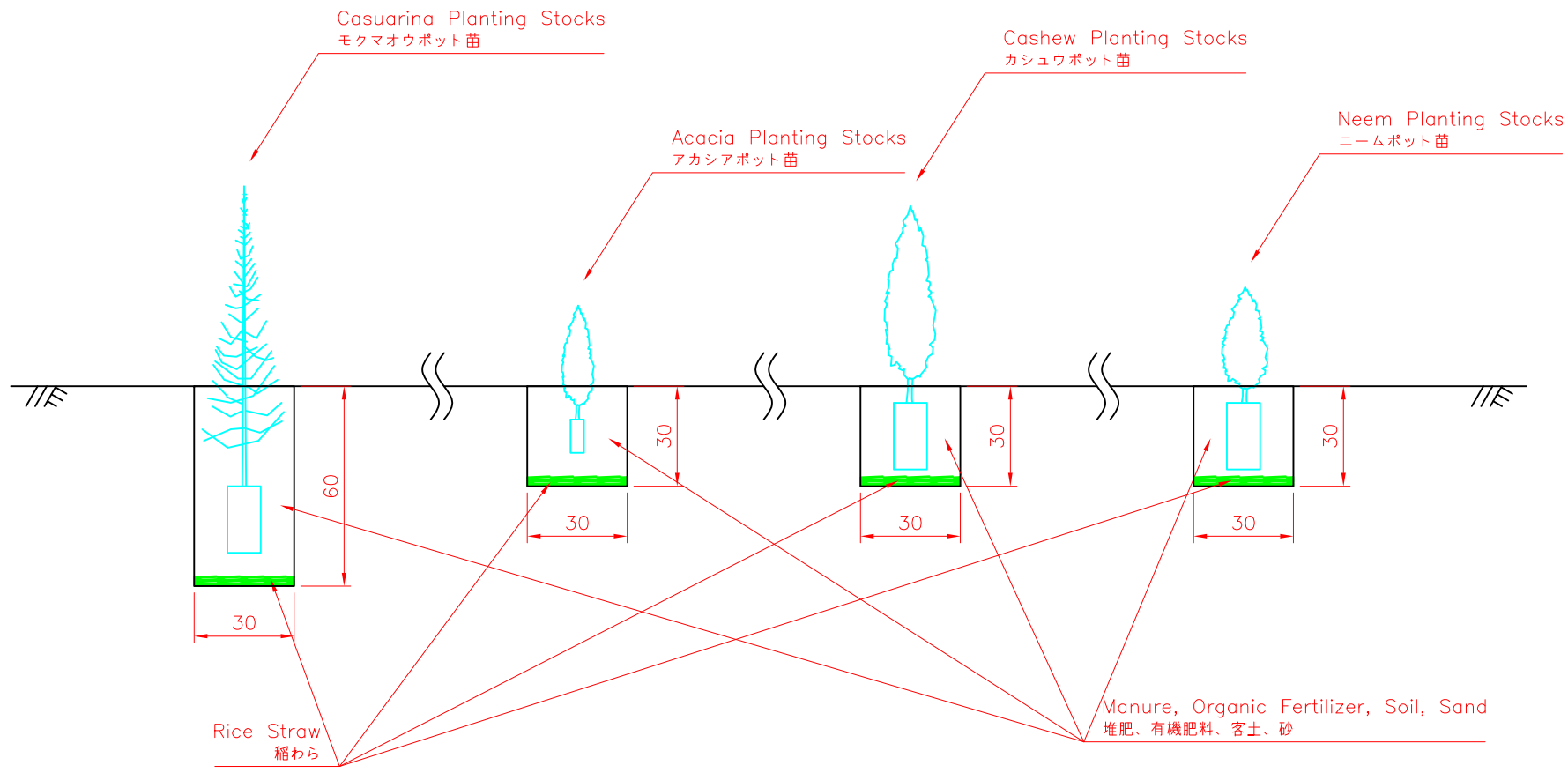
Standard Drawing of Planting, MP-T1-16 (Mixed Planting Type1, 1,600 Trees/ha)
SCALE: 1/20



Client :	
Project : THE AFFORESTATION PROJECT ON SANDY AREA IN THE SOCIALIST REPUBLIC OF VIETNAM (APSA)	
Financed by Grant Aid : JAPAN INTERNATIONAL COOPERATION AGENCY (JICA)	
Consultant : JAPAN FOREST ENGINEERING CONSULTANTS (JFEC)	
Drawing Title : STANDARD DRAWING OF PLANTING, MP-T1-16 (Mixed Planting Type1, 1,600 trees/ha)	
Date :	Scale : 1 / 20 and 1/100
Drawn by :	Sheet / Job Title and Drawing No. :
Checked by :	PLANTING D - 303
Approved by :	

樹種別の肥料等一覧 The List of Fertilizers and other materials by Tree Species					
樹種名 Species	合計 Total	堆肥 Manure	有機肥料 Organic Fertilizer	客土 Soil	稲わら Rice Straw
モクマオウ Casuarina	4.500 kg/tree	1.000 kg/tree	100 g/tree	3.000 kg/tree	400 g/tree
アカシア Acacia	3.825 kg/tree	0.375 kg/tree	50 g/tree	3.000 kg/tree	400 g/tree
カシュウ Cashew	8.700 kg/tree	5.000 kg/tree	300 g/tree	3.000 kg/tree	400 g/tree
ニーム Neem	4.000 kg/tree	0.500 kg/tree	100 g/tree	3.000 kg/tree	400 g/tree

Standard Drawing of Planting, MP-T2-16 (Mixed Planting Type2, 1,600 Trees/ha)
SCALE: 1/20

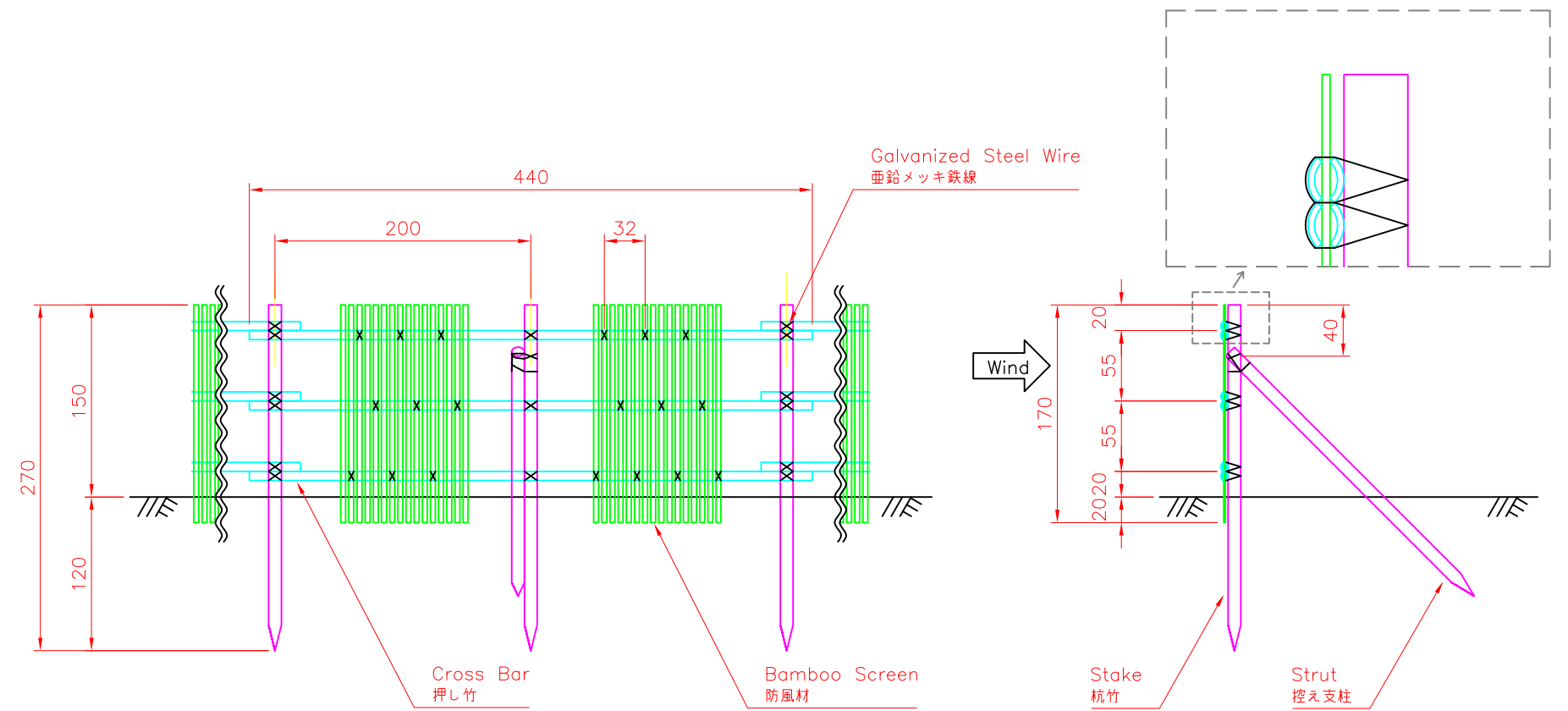


Client :	
Project : THE AFFORESTATION PROJECT ON SANDY AREA IN THE SOCIALIST REPUBLIC OF VIETNAM (APSA)	
Financed by Grant Aid : JAPAN INTERNATIONAL COOPERATION AGENCY (JICA)	
Consultant : JAPAN FOREST ENGINEERING CONSULTANTS (JFEC)	
Drawing Title : STANDARD DRAWING OF PLANTING, MP-T2-16 (Mixed Planting Type2, 1,600 trees/ha)	
Date :	Scale : 1 / 20 and 1/100
Drawn by :	Sheet / Job Title and Drawing No. :
Checked by :	PLANTING D - 304
Approved by :	

樹種別の肥料等一覧 The List of Fertilizers and other materials by Tree Species					
樹種名 Species	合計 Total	堆肥 Manure	有機肥料 Organic Fertilizer	客土 Soil	稲わら Rice Straw
モクマオウ Casuarina	4.500 kg/tree	1.000 kg/tree	100 g/tree	3.000 kg/tree	400 g/tree
アカシア Acacia	3.825 kg/tree	0.375 kg/tree	50 g/tree	3.000 kg/tree	400 g/tree
カシュウ Cashew	8.700 kg/tree	5.000 kg/tree	300 g/tree	3.000 kg/tree	400 g/tree
ニーム Neem	4.000 kg/tree	0.500 kg/tree	100 g/tree	3.000 kg/tree	400 g/tree

Standard Drawing of Deposition Fence

SCALE: 1/50



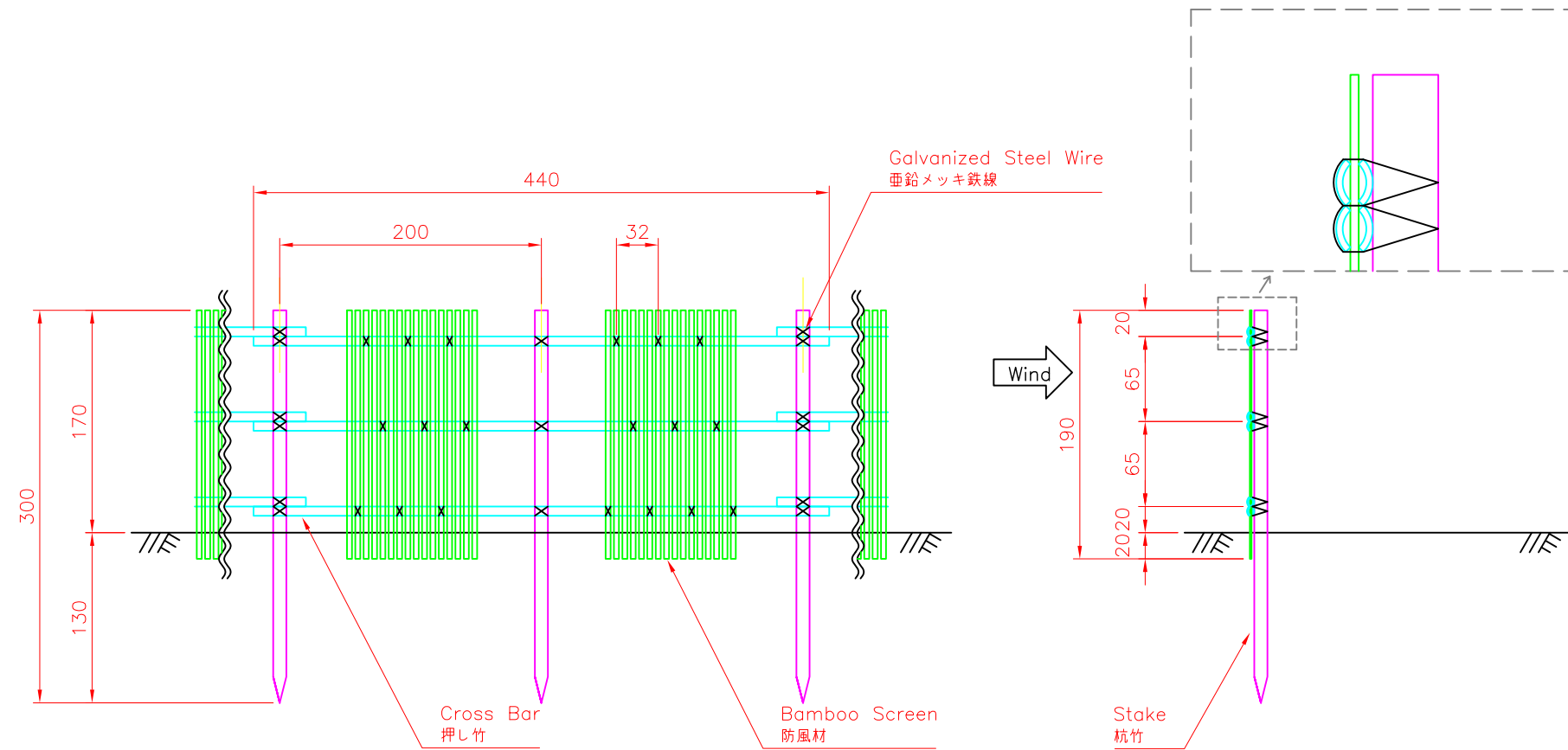
Client :	
Project : THE AFFORESTATION PROJECT ON SANDY AREA IN THE SOCIALIST REPUBLIC OF VIETNAM (APSA)	
Financed by Grant Aid : JAPAN INTERNATIONAL COOPERATION AGENCY (JICA)	
Consultant : JAPAN FOREST ENGINEERING CONSULTANTS (JFEC)	
Drawing Title : STANDARD DRAWING OF DEPOSITION FENCE	
Date :	Scale : 1 / 50
Drawn by :	Sheet / Job Title and Drawing No. :
Checked by :	PLANTING ANCILLARY WORKS D - 401
Approved by :	

100m当たり数量表 Quantity Table per 100m

名称 Materials	規格・寸法 Specifications	数量 Quantity	備考 Remarks
杭(竹) Bamboo Stake	φ10cm以上、長さ2.7m φ=10cm over, L=2.7m	50.0pcs	
支柱(竹) Bamboo Strut	φ10cm以上、長さ2.7m φ=10cm over, L=2.7m	10.0pcs	杭5本ごとに1本設置 One strut is driven per five stakes
押し竹 Bamboo Cross Bar	4分割した竹、長さ4.4m Bamboo is divided into four pieces, L=4.4m	150.0pcs	防風材を挟む Put bamboo screen between two cross bars
防風材 Bamboo Screen	8分割した竹、長さ1.7m Bamboo is divided into eight pieces, L=1.7m	1,568.0pcs	透過率40% Permiation Ratio: 40%
鉄線 Steel Wire	垂鉛メッキ鉄線 #12~18 Galvanized Steel Wire #12-18	10.0kg	

Standard Drawing of Sand Control Hedge

SCALE: 1/50



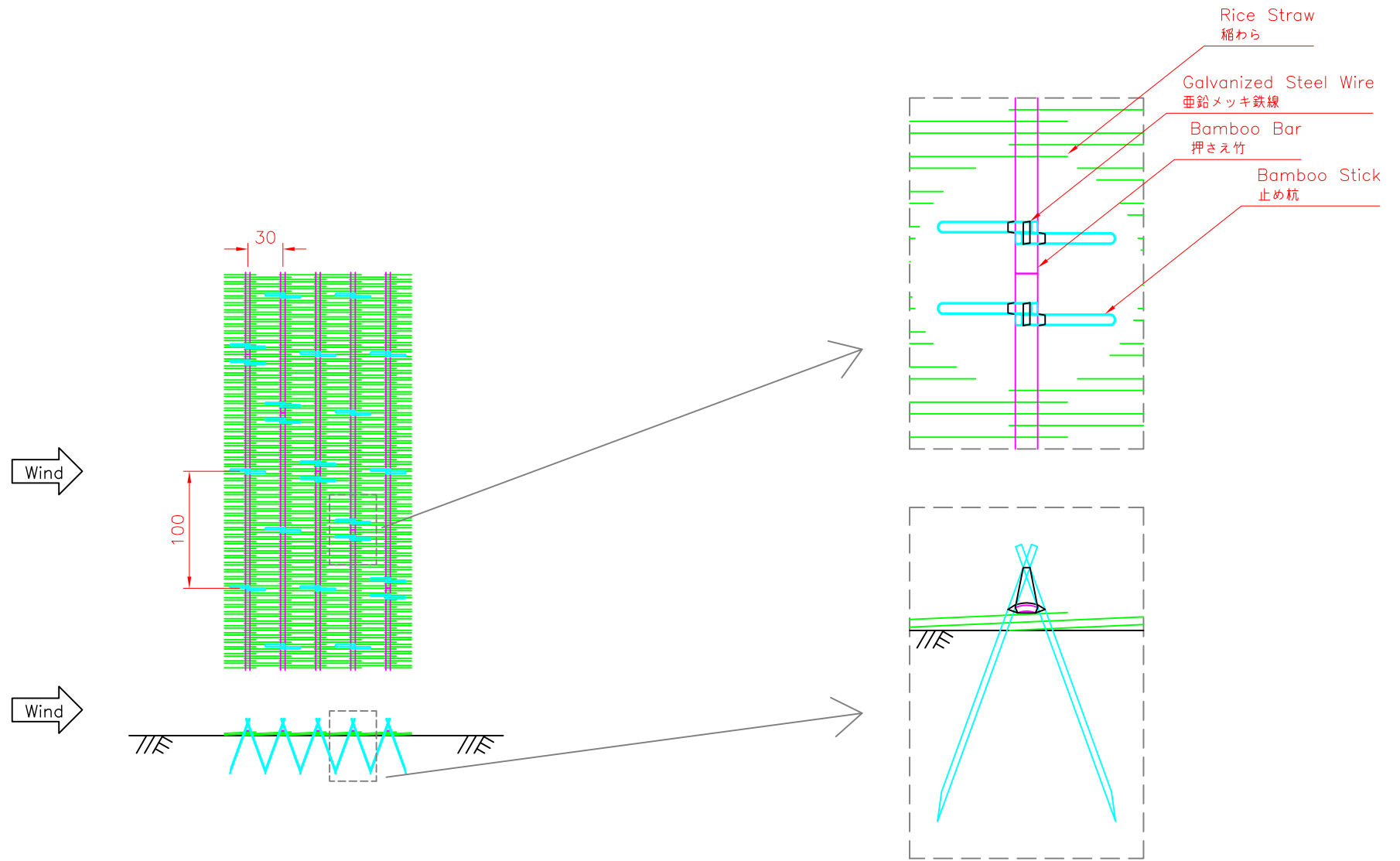
Client :	
Project : THE AFFORESTATION PROJECT ON SANDY AREA IN THE SOCIALIST REPUBLIC OF VIETNAM (APSA)	
Financed by Grant Aid : JAPAN INTERNATIONAL COOPERATION AGENCY (JICA)	
Consultant : JAPAN FOREST ENGINEERING CONSULTANTS (JFEC)	
Drawing Title : STANDARD DRAWING OF SAND CONTROL HEDGE	
Date :	Scale : 1 / 50
Drawn by :	Sheet / Job Title and Drawing No. :
Checked by :	PLANTING ANCILLARY WORKS D - 402
Approved by :	

100m当たり数量表 Quantity Table per 100m

名称 Materials	規格・寸法 Specifications	数量 Quantity	備考 Remarks
杭(竹) Bamboo Stake	φ10cm以上、長さ3.0m φ=10cm over, L=3.0m	50.0pcs	
押し竹 Bamboo Cross Bar	4分割した竹、長さ4.4m Bamboo is divided into four pieces, L=4.4m	150.0pcs	防風材を挟む Put bamboo screen between two cross bars
防風材 Bamboo Screen	8分割した竹、長さ1.9m Bamboo is divided into eight pieces, L=1.9m	1,568.0pcs	透過率40% Permiation Ratio: 40%
鉄線 Steel Wire	亜鉛メッキ鉄線 #12~18 Galvanized Steel Wire #12-18	10.0kg	

Standard Drawing of Straw Covering Work

SCALE: 1/50



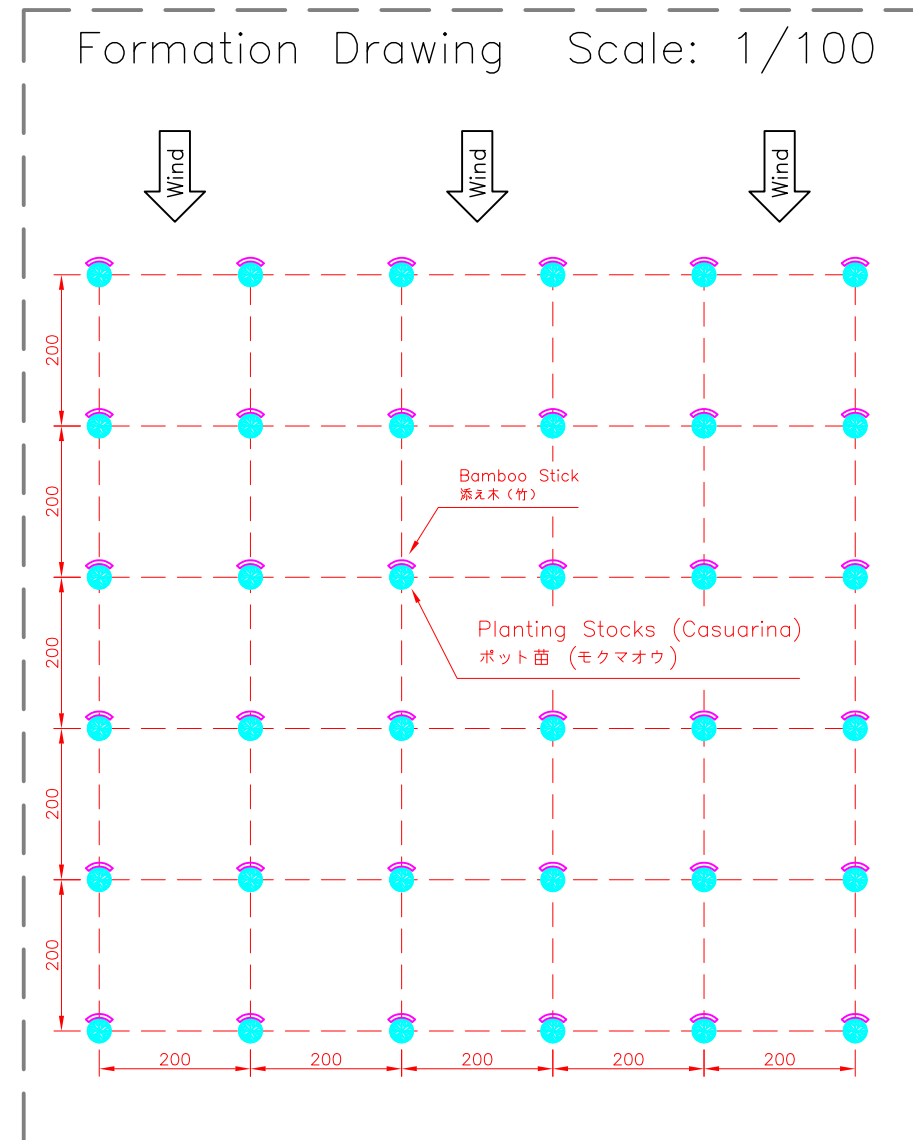
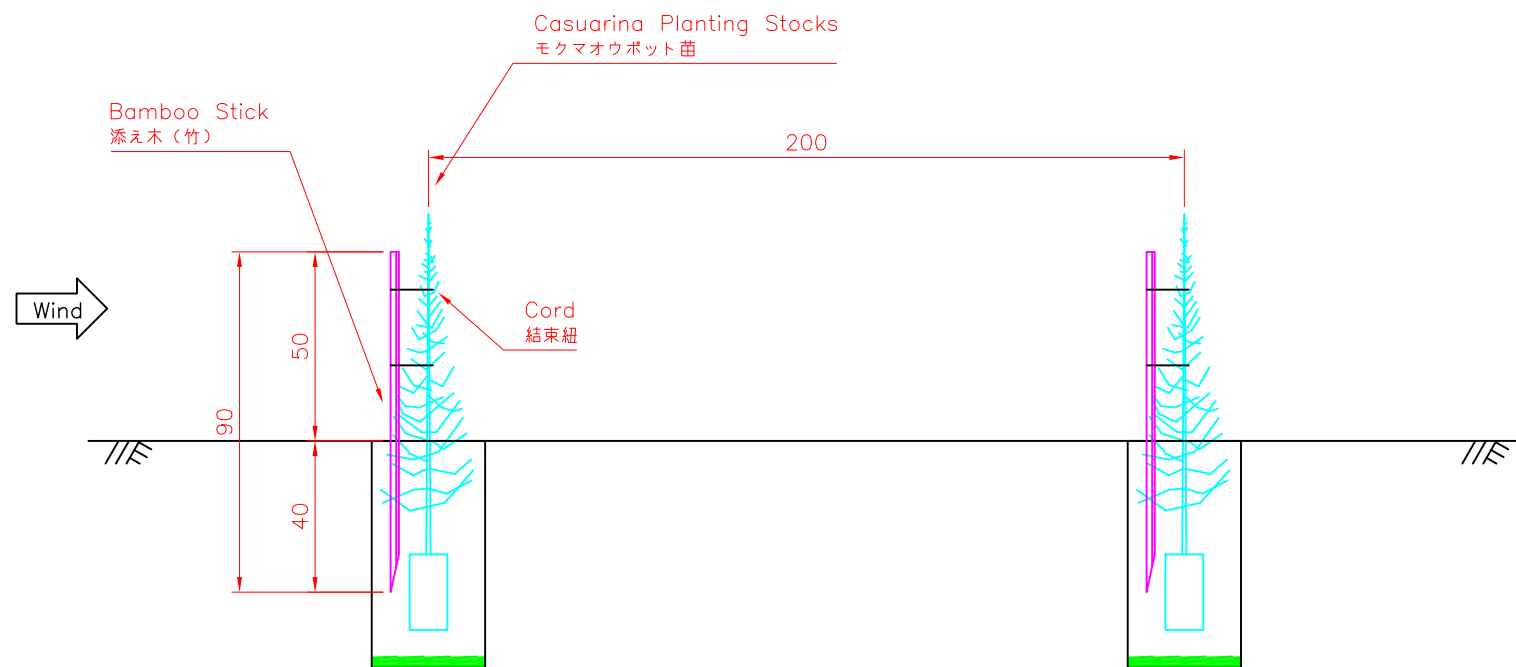
Client :	
Project : THE AFFORESTATION PROJECT ON SANDY AREA IN THE SOCIALIST REPUBLIC OF VIETNAM (APSA)	
Financed by Grant Aid : JAPAN INTERNATIONAL COOPERATION AGENCY (JICA)	
Consultant : JAPAN FOREST ENGINEERING CONSULTANTS (JFEC)	
Drawing Title : STANDARD DRAWING OF STRAW COVERING WORK	
Date :	Scale : 1 / 50
Drawn by :	Sheet / Job Title and Drawing No. :
Checked by :	PLANTING ANCILLARY WORKS D - 403
Approved by :	

100m2当たり数量表 Quantity Table per 100m2

名称 Materials	規格・寸法 Specifications	数量 Quantity	備考 Remarks
稲わら Rice Straw	長さ60~80cm L=60-80cm	125.0kg	厚さ3cm程度。均等に敷設。 Spread straw equally with approximately 3cm thickness
押さえ竹 Bamboo Bar	8分割した竹、長さ5.0m Bamboo is divided into eight pieces, L=5.0m	66.7pcs	30cmごとに配置 Put bamboo bar at intervals of 30cm
止め杭 Bamboo Stick	16分割した竹、長さ50cm Bamboo is divided into sixteen pieces, L=50cm	800.0pcs	1mごとに設置 One pair of sticks is driven at intervals of one meter
鉄線 Steel Wire	亜鉛メッキ鉄線 #12~18 Galvanized Steel Wire #12-18	3.0kg	

Standard Drawing of Bamboo Shield Stick

SCALE: 1/20

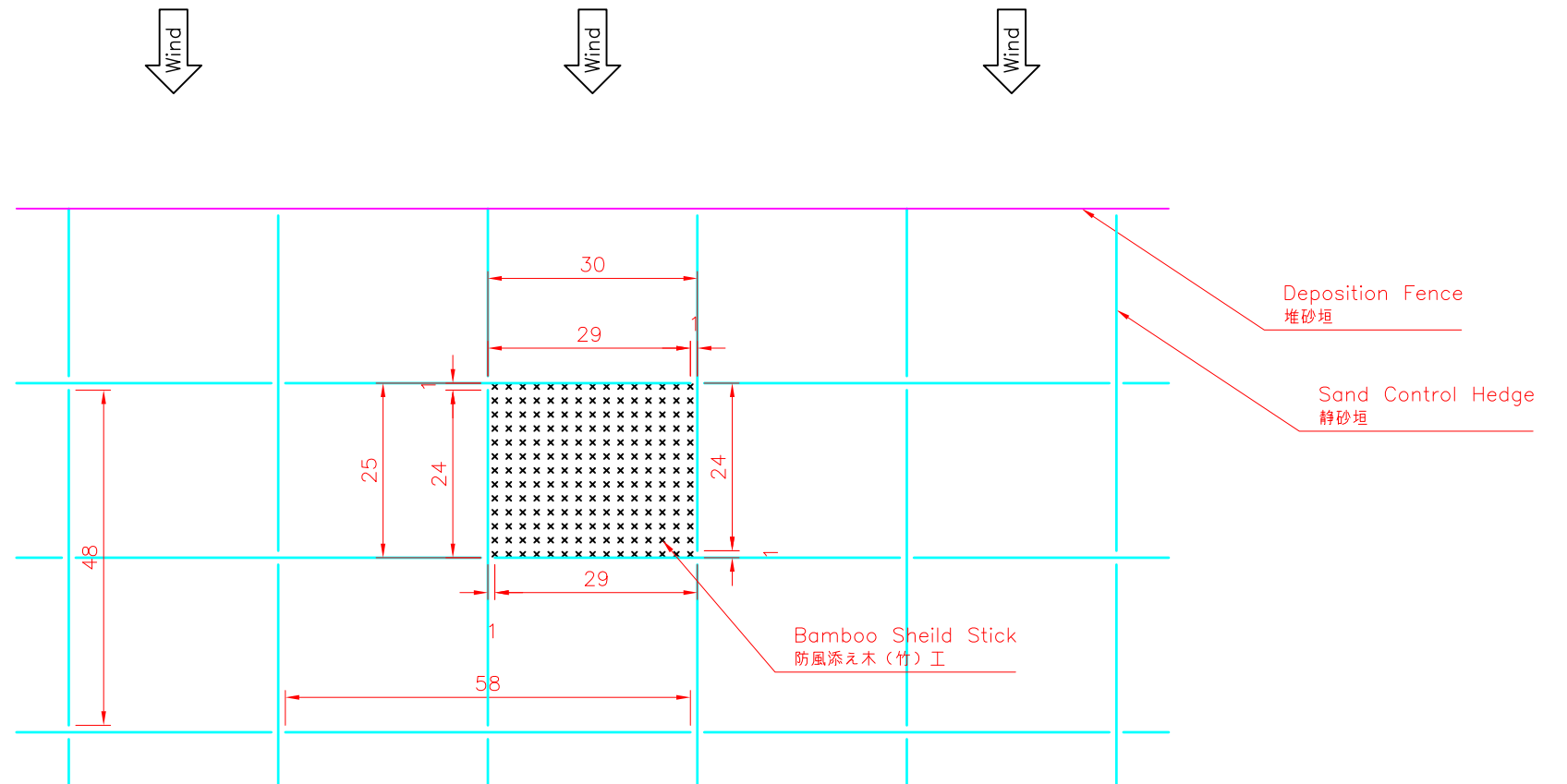


Client :	
Project : THE AFFORESTATION PROJECT ON SANDY AREA IN THE SOCIALIST REPUBLIC OF VIETNAM (APSA)	
Financed by Grant Aid : JAPAN INTERNATIONAL COOPERATION AGENCY (JICA)	
Consultant : JAPAN FOREST ENGINEERING CONSULTANTS (JFEC)	
Drawing Title : STANDARD DRAWING OF BAMBOO SHIELD STICK	
Date :	Scale : 1 / 20 and 1/100
Drawn by :	Sheet / Job Title and Drawing No. :
Checked by :	PLANTING ANCILLARY WORKS
Approved by :	D - 404

1.0ha当たり数量表 Quantity Table per 1.0ha

名称 Materials	規格・寸法 Specifications	数量 Quantity	備考 Remarks
添え木 (竹) Bamboo Stick	4分割した竹、長さ90cm Bamboo is divided into four pieces, L=90cm	2,500.0pcs	設置間隔: 2m×2m Intervals to be set: 2m×2m
結束紐 Cord	植栽木1本に2箇所結ぶ Bind stick and planting stock at two points	750.0m	結束1箇所につき紐の延長は15cm L=15cm per one binding point

Standard Drawing of Arrangement Plan for Severe Moving Sand Area, Type A
SCALE: 1/1,000

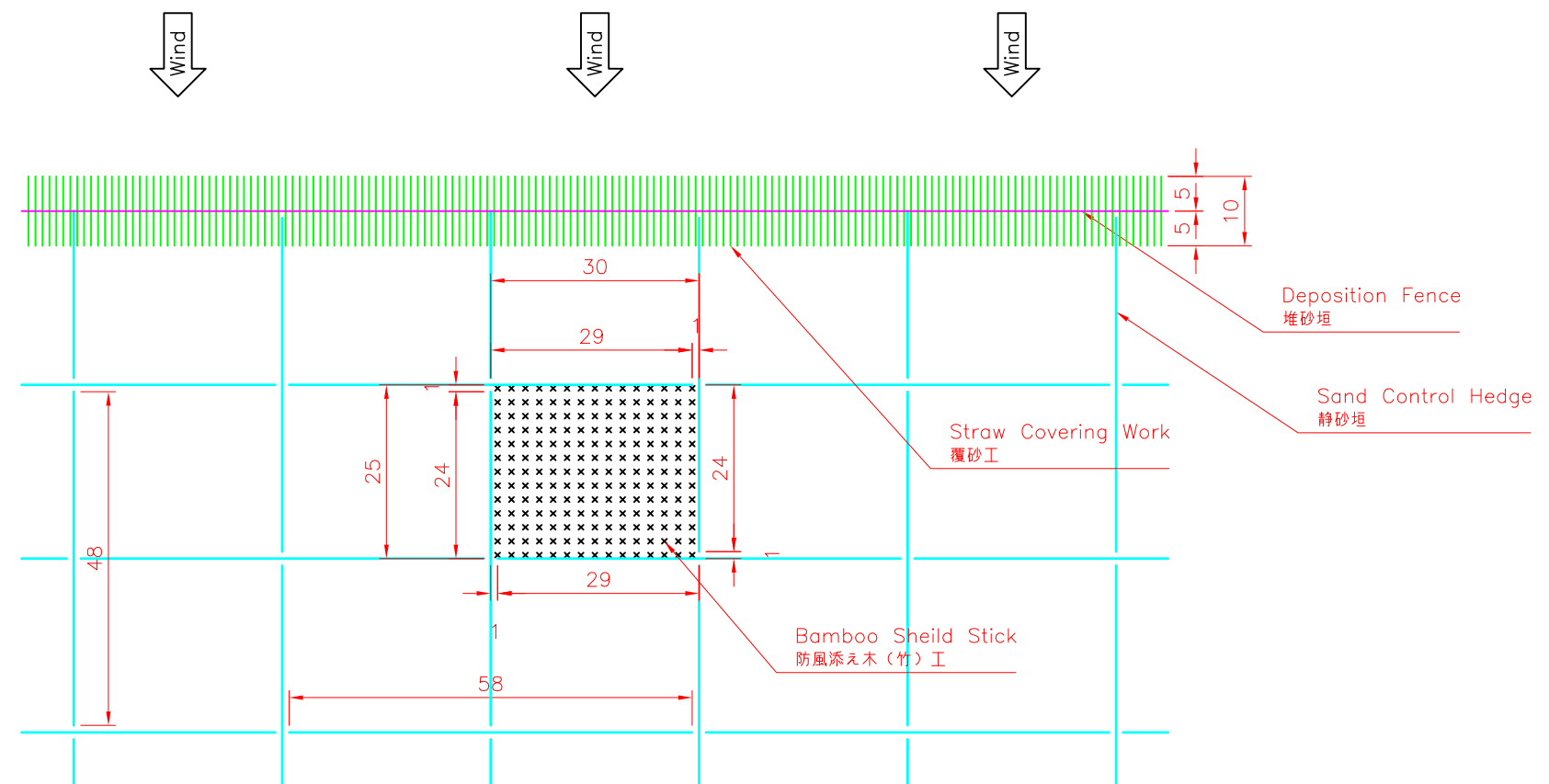


Client :	
Project : THE AFFORESTATION PROJECT ON SANDY AREA IN THE SOCIALIST REPUBLIC OF VIETNAM (APSA)	
Financed by Grant Aid : JAPAN INTERNATIONAL COOPERATION AGENCY (JICA)	
Consultant : JAPAN FOREST ENGINEERING CONSULTANTS (JFEC)	
Drawing Title : STANDARD DRAWING OF ARRANGEMENT PLAN FOR SEVERE MOVING SAND AREA, TYPE A	
Date :	Scale : 1 / 1,000
Drawn by :	Sheet / Job Title and Drawing No. :
Checked by :	PLANTING ANCILLARY WORKS
Approved by :	D - 405

1.0ha当たり数量表 Quantity Table per 1.0ha

名称 Materials	規格・寸法 Specifications	数量 Quantity	備考 Remarks
堆砂垣 Deposition Fence	最前線に1列配置 Set up one line in the front line	-	延長は別図面で計上する。 Length should be calculated on another drawing.
静砂垣 Sand Control Hedge	幅30m、奥行25m、各角に1mの通路を設ける。 L=30m, W=25m, Make one meter pathway at each corner.	707.0m	
防風添え木(竹)工 Bamboo Shield Stick	設置間隔: 2m×2m Intervals to be set: 2m×2m	2,500.0pcs	

Standard Drawing of Arrangement Plan for Severe Moving Sand Area, Type B
SCALE: 1/1,000

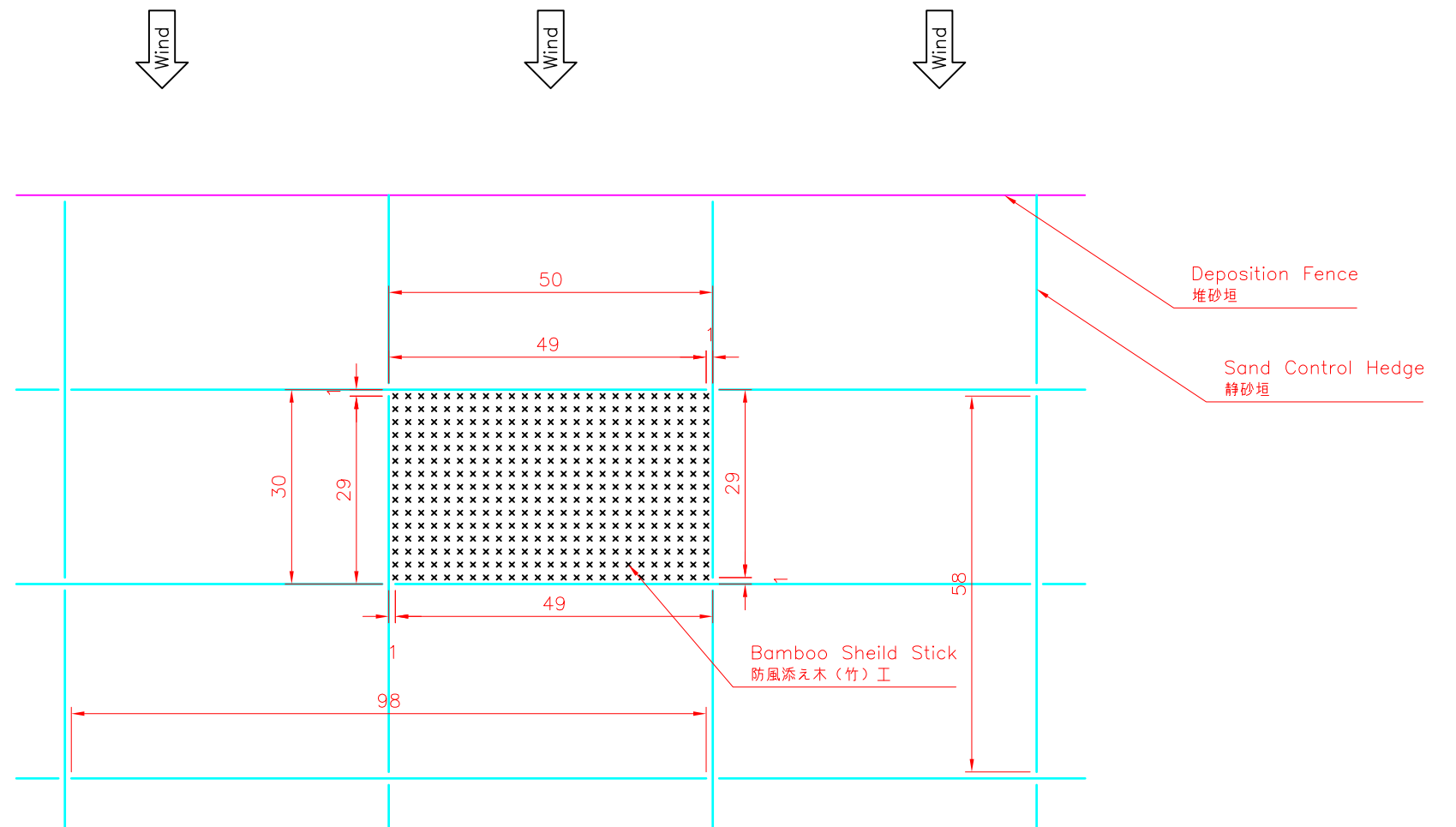


1.0ha当たり数量表 Quantity Table per 1.0ha

名称 Materials	規格・寸法 Specifications	数量 Quantity	備考 Remarks
堆砂垣 Deposition Fence	最前線に1列配置 Set up one line in the front line	-	延長は別図面で計上する。 Length should be calculated on another drawing.
静砂垣 Sand Control Hedge	幅30m、奥行25m、各角に1mの通路を設ける。 L=30m, W=25m, Make one meter pathway at each corner.	707.0m	
覆砂工 Straw Covering Work	堆砂垣の前後5.0mに設置 Cover the surface of the sand dune at 5.0m wide in front and behind of deposition fence	-	面積は別図面で計上する。 Area (Size) should be calculated on another drawing.
防風添え木(竹)工 Bamboo Shield Stick	設置間隔: 2m×2m Intervals to be set: 2m×2m	2,500.0pcs	

Client :	
Project : THE AFFORESTATION PROJECT ON SANDY AREA IN THE SOCIALIST REPUBLIC OF VIETNAM (APSA)	
Financed by Grant Aid : JAPAN INTERNATIONAL COOPERATION AGENCY (JICA)	
Consultant : JAPAN FOREST ENGINEERING CONSULTANTS (JFEC)	
Drawing Title : STANDARD DRAWING OF ARRANGEMENT PLAN FOR SEVERE MOVING SAND AREA, TYPE B	
Date :	Scale : 1 / 1,000
Drawn by :	Sheet / Job Title and Drawing No. :
Checked by :	PLANTING ANCILLARY WORKS
Approved by :	D - 406

Standard Drawing of Arrangement Plan for Severe Moving Sand Area, Type C
SCALE: 1/1,000

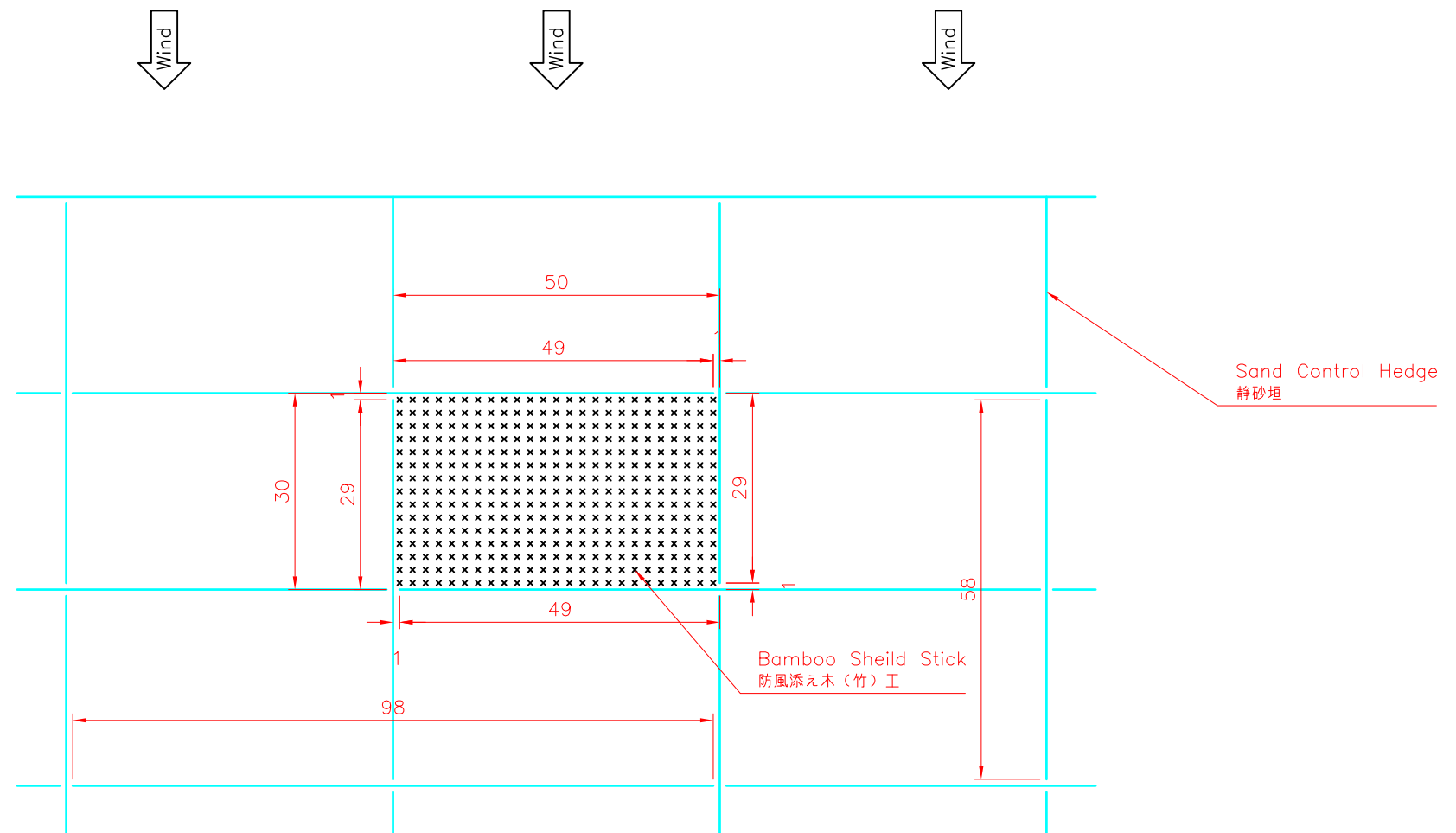


Client :	
Project : THE AFFORESTATION PROJECT ON SANDY AREA IN THE SOCIALIST REPUBLIC OF VIETNAM (APSA)	
Financed by Grant Aid : JAPAN INTERNATIONAL COOPERATION AGENCY (JICA)	
Consultant : JAPAN FOREST ENGINEERING CONSULTANTS (JFEC)	
Drawing Title : STANDARD DRAWING OF ARRANGEMENT PLAN FOR SEVERE MOVING SAND AREA, TYPE C	
Date :	Scale : 1 / 1,000
Drawn by :	Sheet / Job Title and Drawing No. :
Checked by :	PLANTING ANCILLARY WORKS
Approved by :	D - 407

1.0ha当たり数量表 Quantity Table per 1.0ha

名称 Materials	規格・寸法 Specifications	数量 Quantity	備考 Remarks
堆砂垣 Deposition Fence	最前線に1列配置 Set up one line in the front line	-	延長は別図面で計上する。 Length should be calculated on another drawing.
静砂垣 Sand Control Hedge	幅50m、奥行30m。各角に1mの通路を設ける。 L=50m, W=30m, Make one meter pathway at each corner.	520.0m	
防風添え木(竹)工 Bamboo Shield Stick	設置間隔: 2m×2m Intervals to be set: 2m×2m	2,500.0pcs	

Standard Drawing of Arrangement Plan for Moving Sand Area
SCALE: 1/1,000

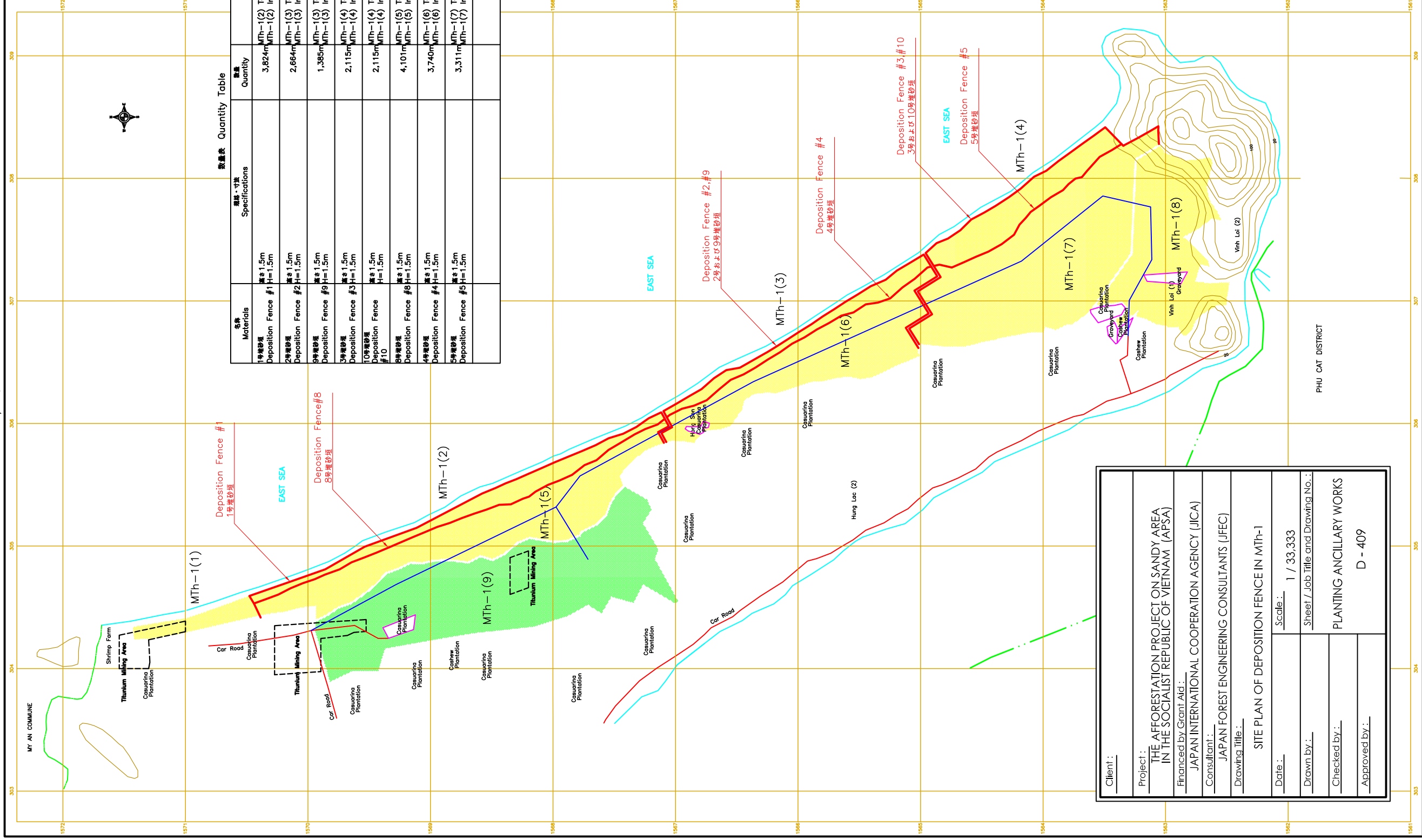


1.0ha当たり数量表 Quantity Table per 1.0ha

名称 Materials	規格・寸法 Specifications	数量 Quantity	備考 Remarks
静砂垣 Sand Control Hedge	幅50m、奥行30m、各角に1mの通路を設ける。 L=50m, W=30m, Make one meter pathway at each corner.	520.0m	
防風添え木(竹)工 Bamboo Shield Stick	設置間隔: 2m×2m Intervals to be set: 2m×2m	2,500.0pcs	

Client :	
Project : THE AFFORESTATION PROJECT ON SANDY AREA IN THE SOCIALIST REPUBLIC OF VIETNAM (APSA)	
Financed by Grant Aid : JAPAN INTERNATIONAL COOPERATION AGENCY (JICA)	
Consultant : JAPAN FOREST ENGINEERING CONSULTANTS (JFEC)	
Drawing Title : STANDARD DRAWING OF ARRANGEMENT PLAN FOR MOVING SAND AREA	
Date :	Scale : 1 / 1,000
Drawn by :	Sheet / Job Title and Drawing No. :
Checked by :	PLANTING ANCILLARY WORKS
Approved by :	D - 408

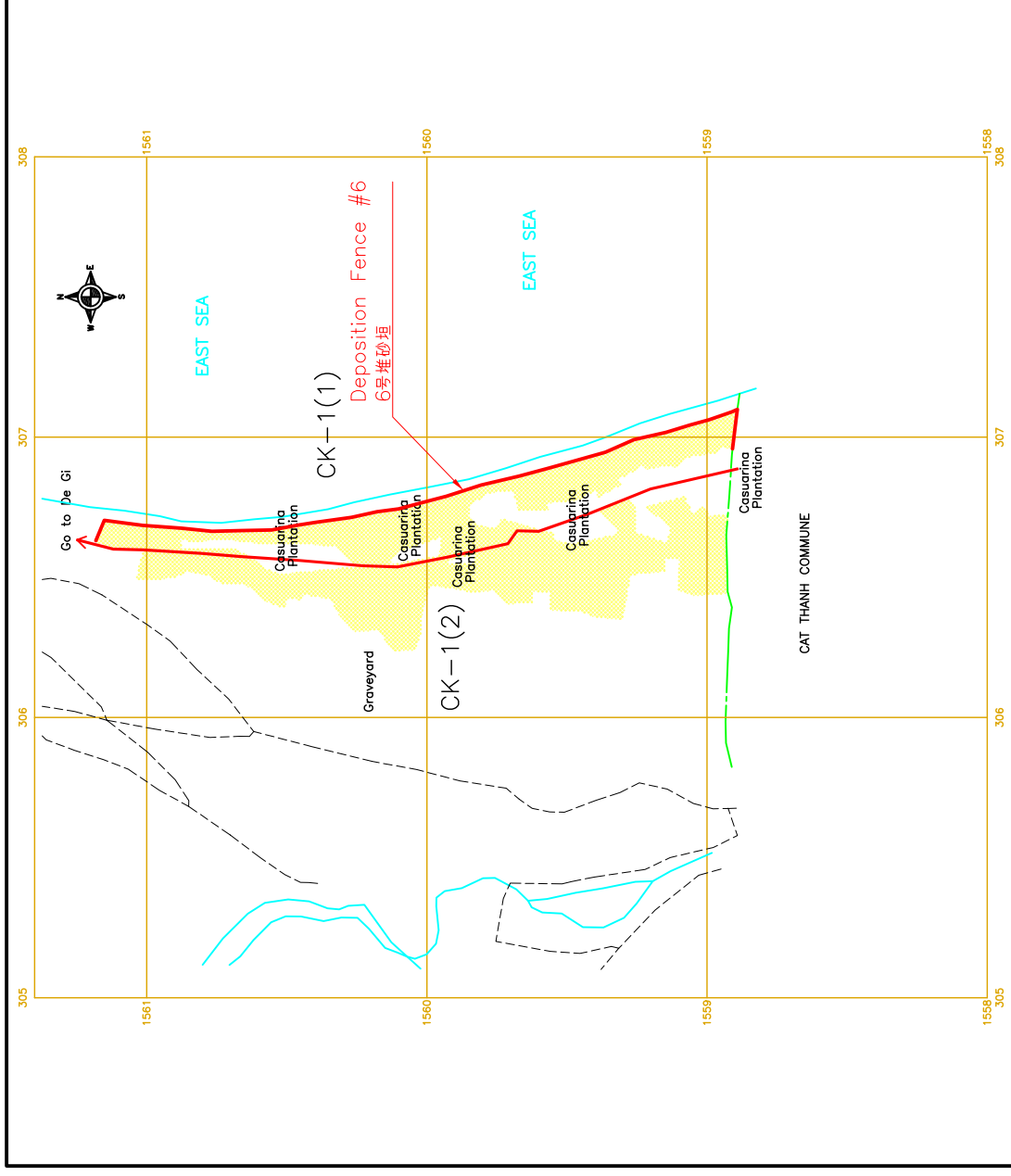
PERIMETER MAP
 FOR AFFORESTATION PROJECT ON SANDY AREA IN VIETNAM
 (AFSA PROJECT)
 MY THANH COMMUNE – PHU MY DISTRICT – BINH DINH PROVINCE
 SCALE: 1/33,333



名称	规格・寸法	数量	備考
1号堆砂堤	高さ1.5m 幅1.5m	3,824m	MTh-1(2) Term-2竣工 MTh-1(2) Implementation in the Term-2
2号堆砂堤	高さ1.5m 幅1.5m	2,664m	MTh-1(3) Term-2竣工 MTh-1(3) Implementation in the Term-2
3号堆砂堤	高さ1.5m 幅1.5m	1,385m	MTh-1(3) Term-4竣工 MTh-1(3) Implementation in the Term-4
4号堆砂堤	高さ1.5m 幅1.5m	2,115m	MTh-1(4) Term-2竣工 MTh-1(4) Implementation in the Term-2
5号堆砂堤	高さ1.5m 幅1.5m	2,115m	MTh-1(4) Term-4竣工 MTh-1(4) Implementation in the Term-4
6号堆砂堤	高さ1.5m 幅1.5m	4,101m	MTh-1(5) Term-3竣工 MTh-1(5) Implementation in the Term-3
7号堆砂堤	高さ1.5m 幅1.5m	3,740m	MTh-1(6) Term-2竣工 MTh-1(6) Implementation in the Term-2
8号堆砂堤	高さ1.5m 幅1.5m	3,311m	MTh-1(7) Term-2竣工 MTh-1(7) Implementation in the Term-2

Client:	
Project:	THE AFFORESTATION PROJECT ON SANDY AREA IN THE SOCIALIST REPUBLIC OF VIETNAM (AFSA)
Financed by Grant Aid:	JAPAN INTERNATIONAL COOPERATION AGENCY (JICA)
Consultant:	JAPAN FOREST ENGINEERING CONSULTANTS (JFEC)
Drawing Title:	SITE PLAN OF DEPOSITION FENCE IN MTh-1
Date:	Scale: 1 / 33,333
Drawn by:	Sheet / Job Title and Drawing No.:
Checked by:	PLANTING ANCILLARY WORKS
Approved by:	D - 409

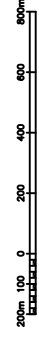
PERIMETER MAP
 FOR AFFORESTATION PROJECT ON SANDY AREA IN VIETNAM
 (APSA PROJECT)
 CAT KHANH COMMUNE – PHU CAT DISTRICT – BINH DINH PROVINCE
 SCALE: 1/25,000



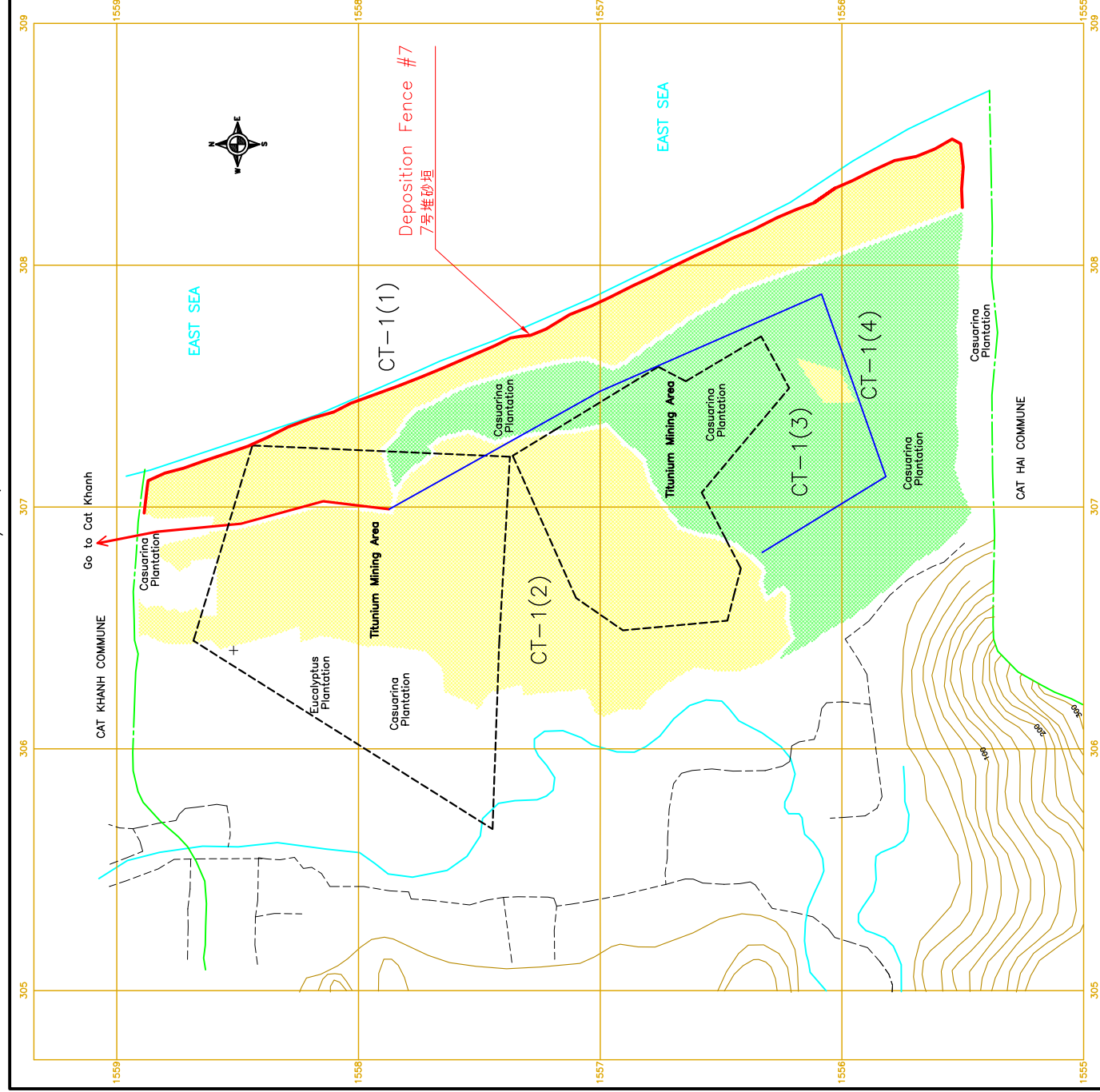
数量表 Quantity Table

名称 Materials	规格・寸法 Specifications	数量 Quantity	備考 Remarks
6号堆砂埋 Deposition Fence #6	高さ1.5m H=1.5m	2541m	CK-1(1) Term-2施工 CK-1(1) Implementation in the Term-2

Client : _____	
Project : THE AFFORESTATION PROJECT ON SANDY AREA IN THE SOCIALIST REPUBLIC OF VIETNAM (APSA)	
Financed by Grant Aid : JAPAN INTERNATIONAL COOPERATION AGENCY (JICA)	
Consultant : JAPAN FOREST ENGINEERING CONSULTANTS (JFEC)	
Drawing Title : SITE PLAN OF DEPOSITION FENCE IN CK-1	
Date : _____	Scale : 1 / 25,000
Drawn by : _____	Sheet / Job Title and Drawing No. : PLANTING ANCILLARY WORKS
Checked by : _____	D - 410
Approved by : _____	



PERIMETER MAP
 FOR AFFORESTATION PROJECT ON SANDY AREA IN VIETNAM
 (APSA PROJECT)
 CAT THANH COMMUNE - PHU CAT DISTRICT - BINH DINH PROVINCE
 SCALE: 1/25,000



数量表 Quantity Table

名称 Materials	规格・寸法 Specifications	数量 Quantity	備考 Remarks
7号堆砂堤 Deposition Fence #7	高さ1.5m H=1.5m	4,282m	CT-1(1) Term-2施工 CT-1(1) Implementation in the Term-2

Client : _____
Project : THE AFFORESTATION PROJECT ON SANDY AREA IN THE SOCIALIST REPUBLIC OF VIETNAM (APSA)
financed by Grant Aid : JAPAN INTERNATIONAL COOPERATION AGENCY (JICA)
Consultant : JAPAN FOREST ENGINEERING CONSULTANTS (JFEC)
Drawing Title : SITE PLAN OF DEPOSITION FENCE IN CT-1
Date : _____ Scale : 1 / 25,000
Drawn by : _____ Sheet / Job Title and Drawing No. : _____
Checked by : _____ PLANTING ANCILLARY WORKS
Approved by : _____ D - 411

