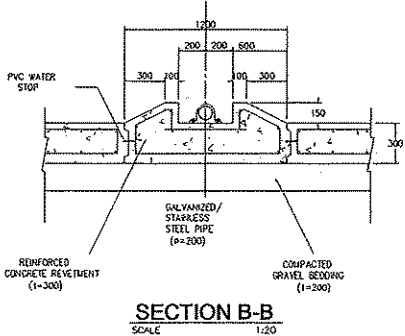
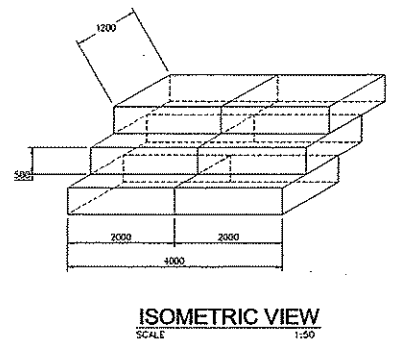
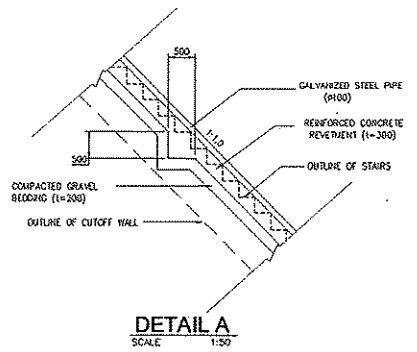
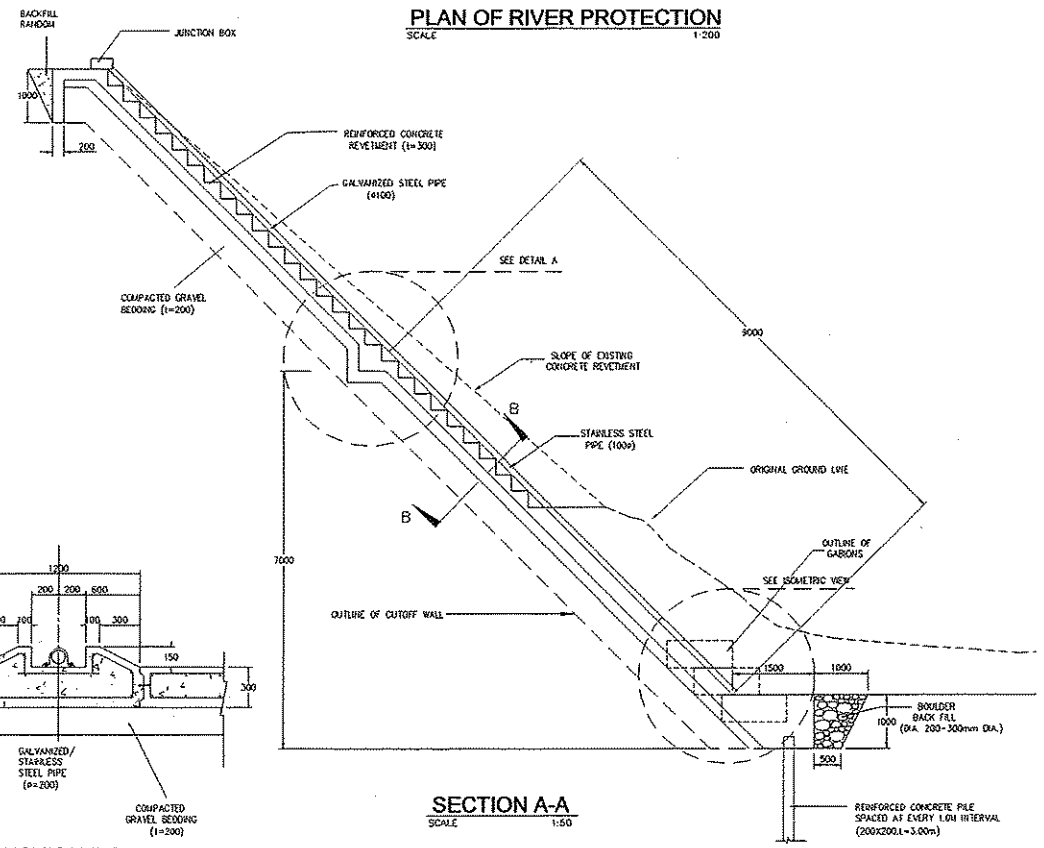
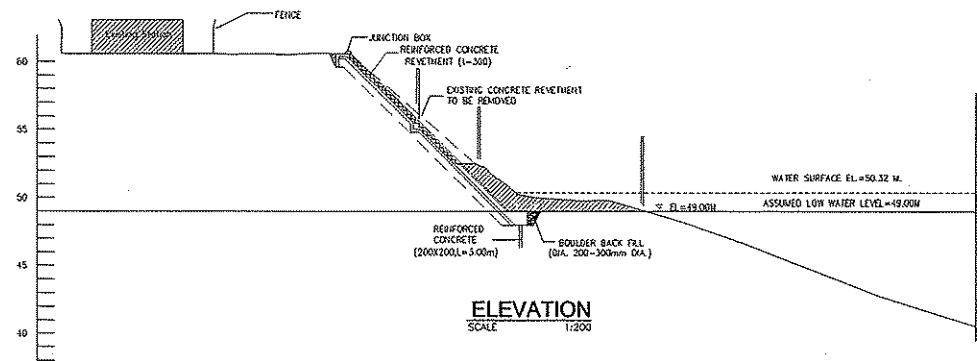
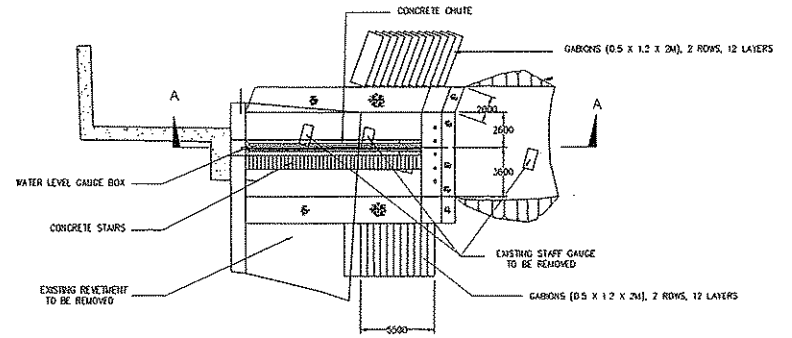
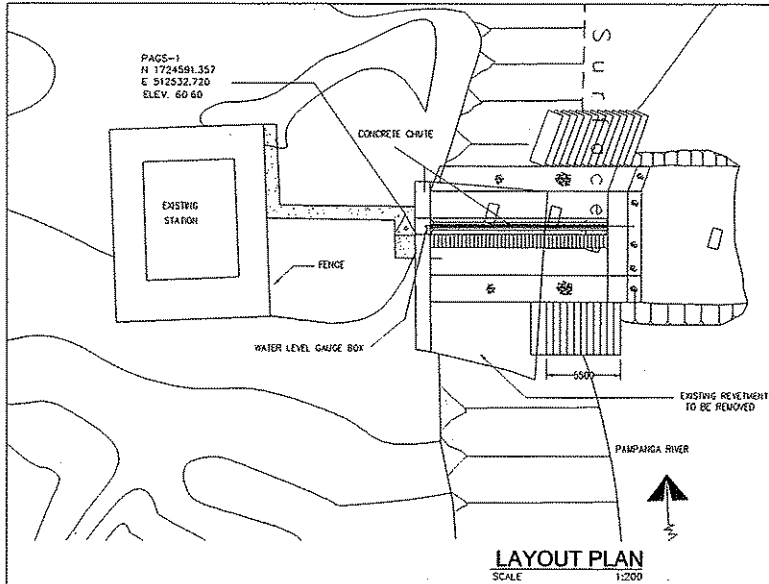


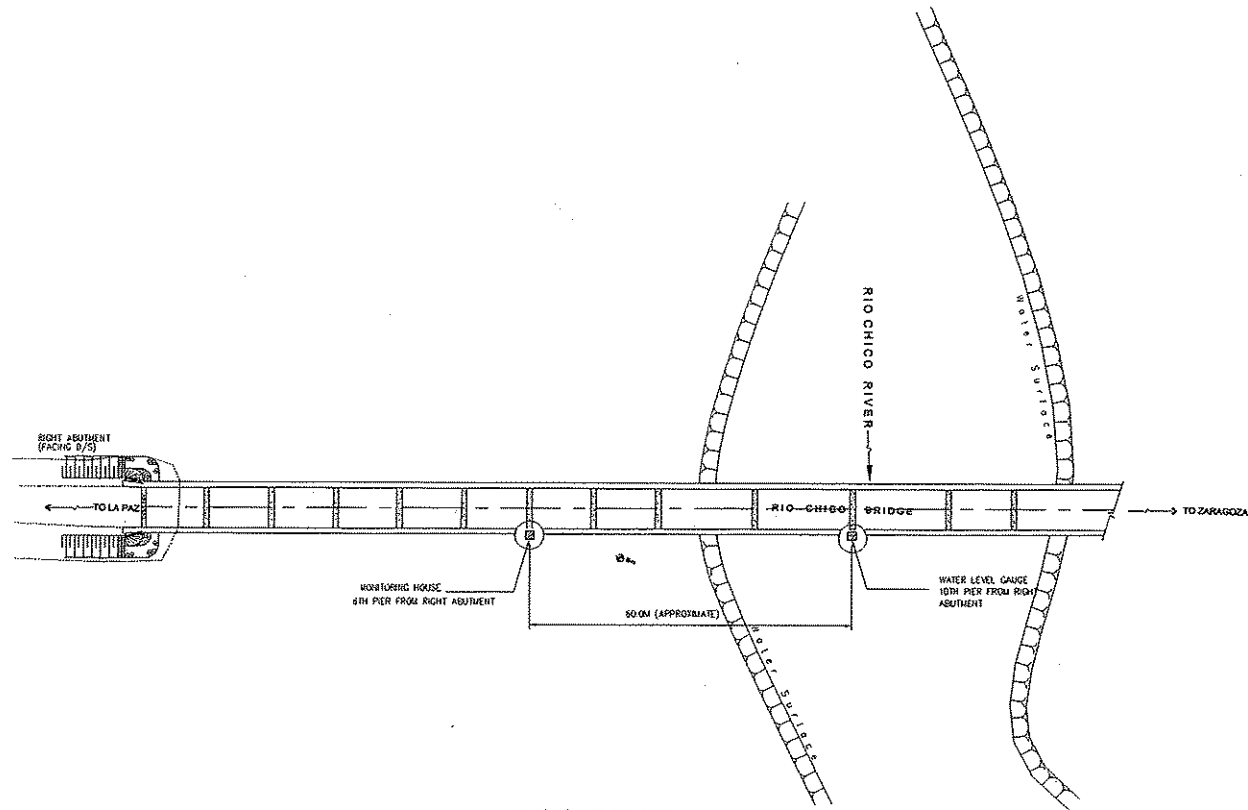
パンパンガ・アグノ河洪水予警報システム改善計画 設計図面リスト(CIVIL WORKS)

No.	図面番号	タイトル	No.	図面番号	タイトル	No.	図面番号	タイトル
1	C-PM-A1	SAPANG BUHO STATION LAYOUT PLAN, ELEVATION, PLAN OF RIVER PROTECTION AND SECTIONS	24	C-PM-I3	MEXICO STATION WATER LEVEL GAUGE LAYOUT PLAN, ELEVATION DETAILS AND SECTIONS			
2	C-PM-B1	ZARAGOSA STATION LAYOUT PLAN, GENERAL ELEVATION	25	C-AG-A1	STA. MARIA STATION LAYOUT PLAN, GENERAL ELEVATION			
3	C-PM-B2	ZARAGOSA STATION MONITORING HOUSE ELEVATIONS, LAYOUT PLAN	26	C-AG-A2	STA. MARIA STATION MONITORING HOUSE ELEVATIONS, LAYOUT PLAN			
4	C-PM-B3	ZARAGOSA STATION WATER LEVEL GAUGE LAYOUT PLAN, ELEVATION DETAILS AND SECTIONS	27	C-AG-A3	STA. MARIA STATION WATER LEVEL GAUGE LAYOUT PLAN, ELEVATION DETAILS AND SECTIONS			
5	C-PM-C1	PENARANDA STATION LAYOUT PLAN, GENERAL ELEVATION	28	C-AG-B1	STA. BARBARA STATION LAYOUT PLAN, ELEVATION, PLAN OF RIVER PROTECTION AND SECTIONS			
6	C-PM-C2	PENARANDA STATION MONITORING HOUSE ELEVATIONS, LAYOUT PLAN	29	C-AG-C1	CARMEN STATION LAYOUT PLAN, ELEVATION			
7	C-PM-C3	PENARANDA STATION WATER LEVEL GAUGE LAYOUT PLAN, ELEVATION DETAILS AND SECTIONS	30	C-AG-C2	CARMEN STATION WATER LEVEL GAUGE LAYOUT PLAN, ELEVATION DETAILS AND SECTIONS			
8	C-PM-D1	SAN ISIDRO STATION LAYOUT PLAN, GENERAL ELEVATION	31	C-AG-D1	WAWA STATION LAYOUT PLAN, GENERAL ELEVATION			
9	C-PM-D2	SAN ISIDRO STATION MONITORING LAYOUT PLAN, ELEVATION	32	C-AG-D2	WAWA STATION MONITORING HOUSE LAYOUT PLAN, ELEVATION			
10	C-PM-D3	SAN ISIDRO STATION WATER LEVEL GAUGE LAYOUT PLAN, ELEVATION DETAILS AND SECTIONS	33	C-AG-D3	WAWA STATION WATER LEVEL GAUGE LAYOUT PLAN, ELEVATION DETAILS AND SECTIONS			
11	C-PM-E1	CANDABA STATION LAYOUT PLAN, GENERAL ELEVATION	34	C-AG-E1	TIBAG STATION LAYOUT PLAN, GENERAL ELEVATION			
12	C-PM-E2	CANDABA STATION MONITORING HOUSE LAYOUT PLAN, ELEVATION	35	C-AG-E2	TIBAG STATION WATER LEVEL GAUGE LAYOUT PLAN, ELEVATION DETAILS AND SECTIONS			
13	C-PM-E3	CANDABA STATION PLAN, ELEVATIONS, DETAILS, SECTIONS	36	C-AG-F1	MAPANDAN STATION LAYOUT PLAN, ELEVATION			
14	C-PM-E4	CANDABA STATION WATER LEVEL GAUGE PLAN, ELEVATION, SECTIONS	37	C-AG-F2	MAPANDAN STATION MONITORING HOUSE LAYOUT PLAN, ELEVATION			
15	C-PM-E5	CANDABA STATION MONITORING PLAN, ELEVATION, SECTIONS	38	C-AG-F3	MAPANDAN STATION WATER LEVEL GAUGE LAYOUT PLAN, ELEVATION DETAILS AND SECTIONS			
16	C-PM-F1	ARAYAT STATION LAYOUT PLAN, GENERAL ELEVATION	39	C-AG-G1	BINALONAN STATION LAYOUT PLAN, ELEVATION, PLAN OF RIVER PROTECTION AND SECTIONS			
17	C-PM-F2	ARAYAT STATION MONITORING HOUSE ELEVATIONS, LAYOUT PLAN	40	C-SD-1	MONITORING HOUSE STANDARD (TYPE A)			
18	C-PM-F3	ARAYAT STATION WATER LEVEL GAUGE LAYOUT PLAN, ELEVATION DETAILS AND SECTIONS	41	C-SD-2	MONITORING HOUSE STANDARD (TYPE B)			
19	C-PM-G1	SASMUAN STATION LAYOUT PLAN, GENERAL ELEVATION	42	C-SD-3	MONITORING HOUSE STANDARD (TYPE C)			
20	C-PM-G2	SASMUAN STATION WATER LEVEL GAUGE LAYOUT PLAN, ELEVATION DETAILS AND SECTIONS	43	C-SD-4	MONITORING HOUSE STANDARD DETAILS, PLANS, ELEVATIONS AND SECTIONS OF FOUNDATION, ROOF & FLOOR FRAMING PLAN			
21	C-PM-H1	SULIPAN STATION LAYOUT PLAN, ELEVATION, PLAN OF RIVER PROTECTION AND SECTIONS	44	C-SD-5	MONITORING HOUSE STANDARD (Antenna, Foot Bridge & Steel Door)			
22	C-PM-I1	MEXICO STATION LAYOUT PLAN, GENERAL ELEVATION	45	C-SD-6	TYPICAL DETAIL OF PILE FOUNDATION (ZARAGOZA, MEXICO AND CANDABA MONITORING STATION HOUSE)			
23	C-PM-I2	MEXICO STATION MONITORING HOUSE LAYOUT PLAN, ELEVATION						

PAGE-1  
N 1724591.357  
E 512532.720  
ELEV. 60.60

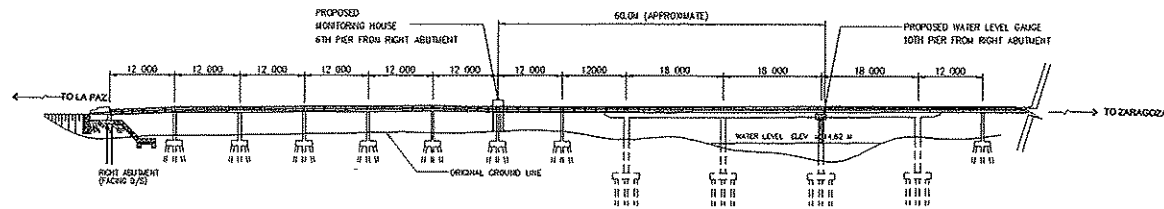
REFERENCE POINT	
PAGE 1	
N	1724591.357
E	512532.720
ELEV	60.60M





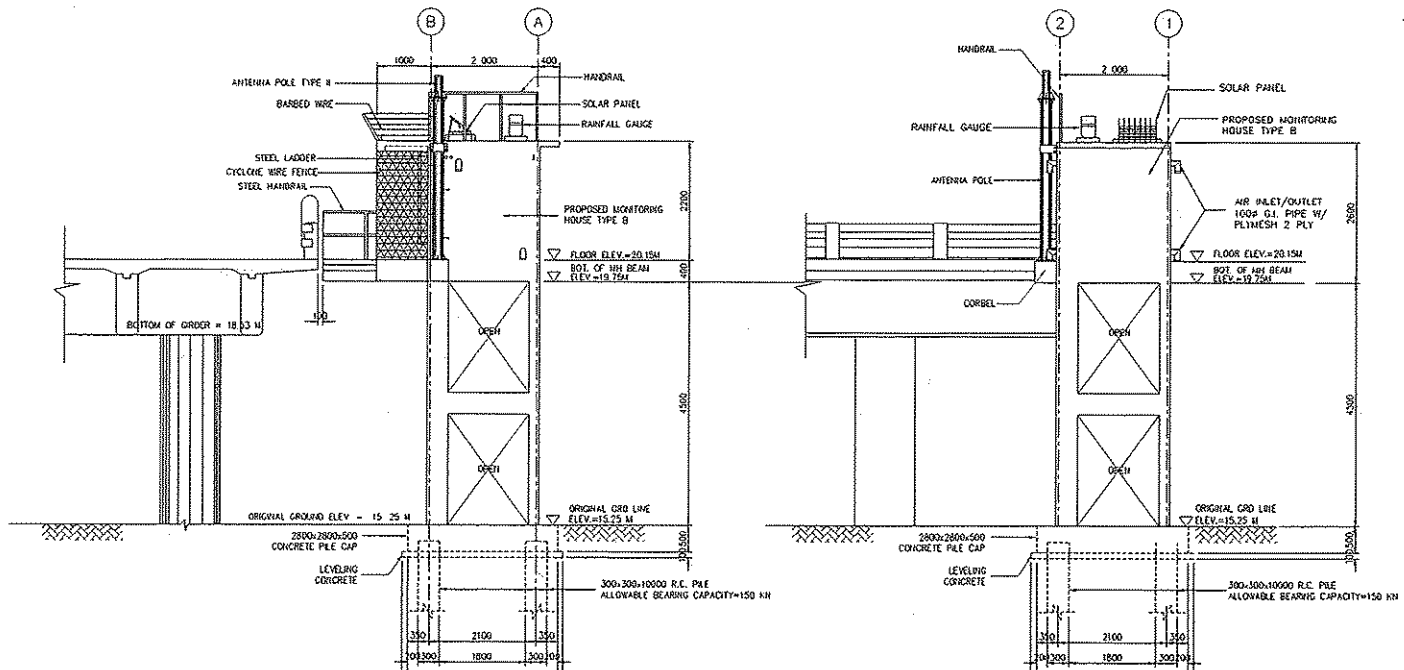
**LAYOUT PLAN**

SCALE 1:500



**GENERAL ELEVATION  
(FACING UPSTREAM)**

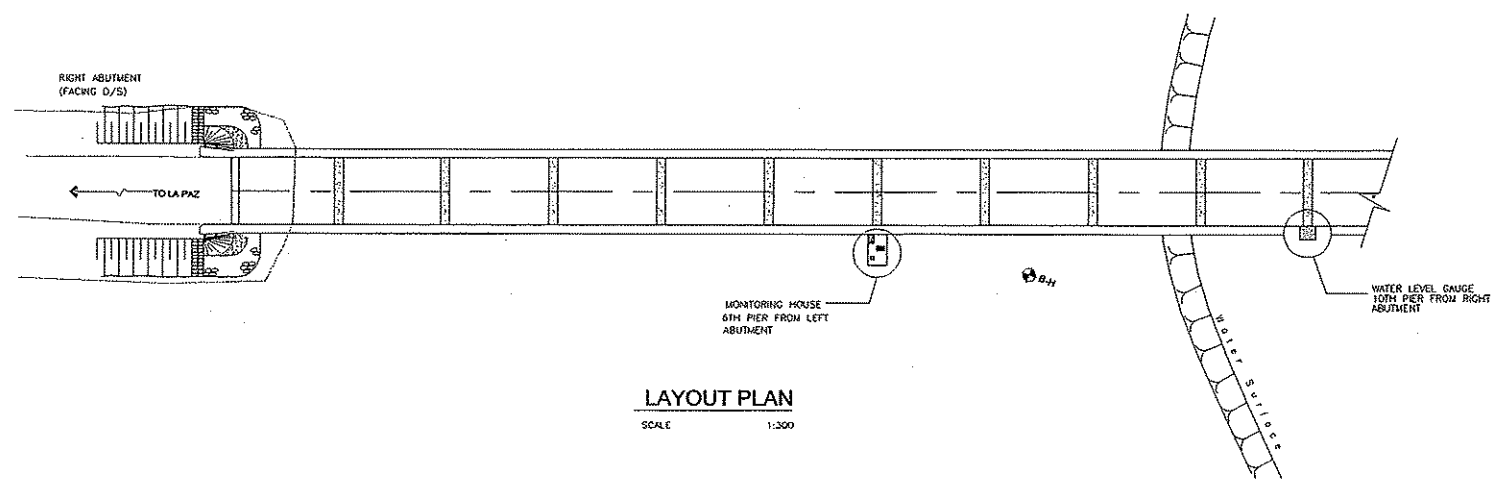
SCALE 1:500



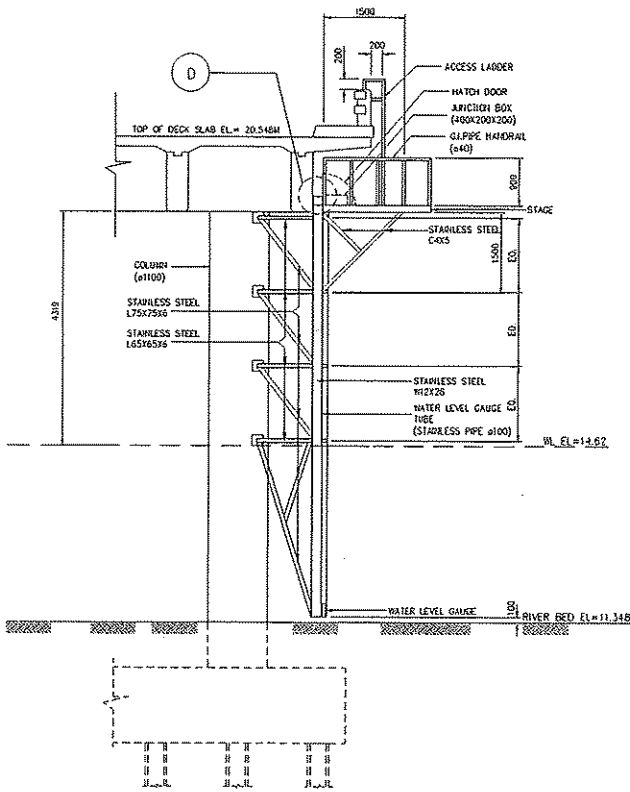
**RIGHT SIDE ELEVATION**  
SCALE 1:50

**REAR ELEVATION**  
SCALE 1:50

NOTE:  
THE EXACT LENGTH OF PILE SHALL BE DETERMINED FROM THE RESULTS OF DRIVING TEST PILE.

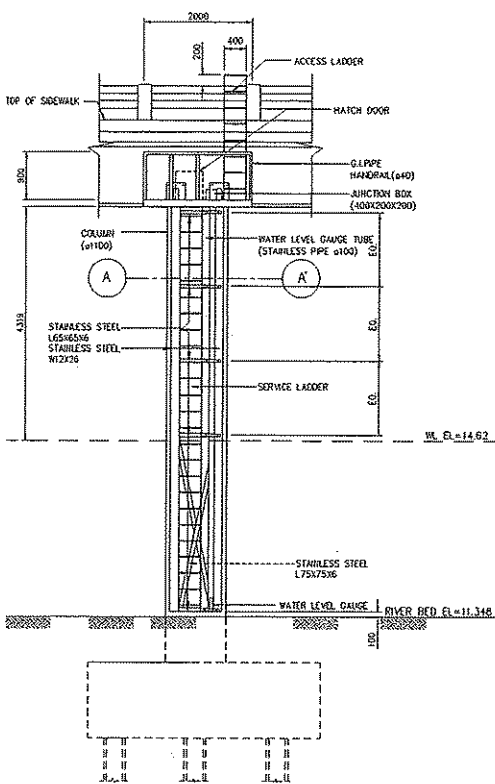


**LAYOUT PLAN**  
SCALE 1:300



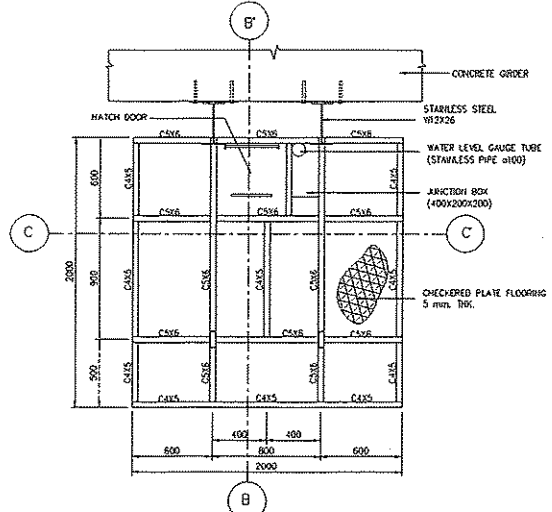
**ELEVATION**

SCALE 1:50



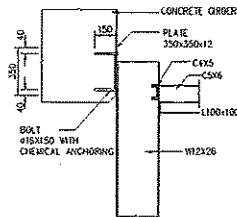
**REAR ELEVATION**

SCALE 1:50



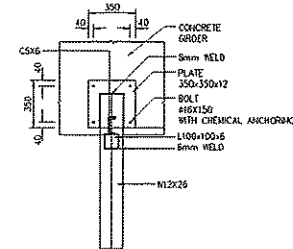
**FRAMING PLAN AT STAGE**

SCALE 1:20



**SIDE ELEVATION**

SCALE 1:20



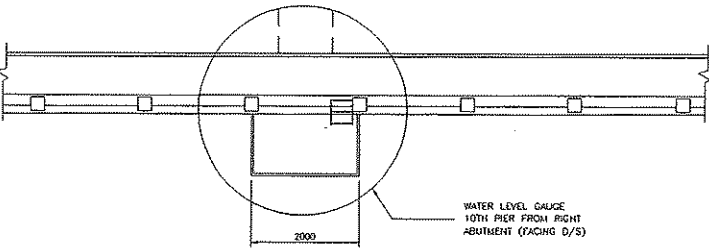
**FRONT ELEVATION**

SCALE 1:20

**D BASE PLATE @ PIER COPING**

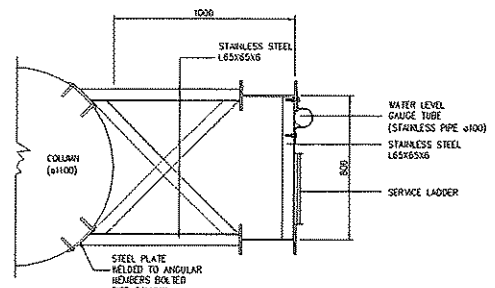
SCALE 1:20

**NOTE**  
 1. Structural steel immersed in water and water level gauge tube shall be of stainless steel excluding the stage and above.  
 2. Connections between stainless and galvanized steel must be bolted using stainless bolts.



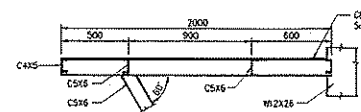
**LAYOUT PLAN**

SCALE 1:50



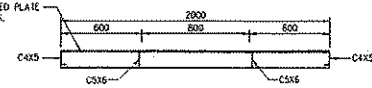
**A-A' SECTION**

SCALE 1:15



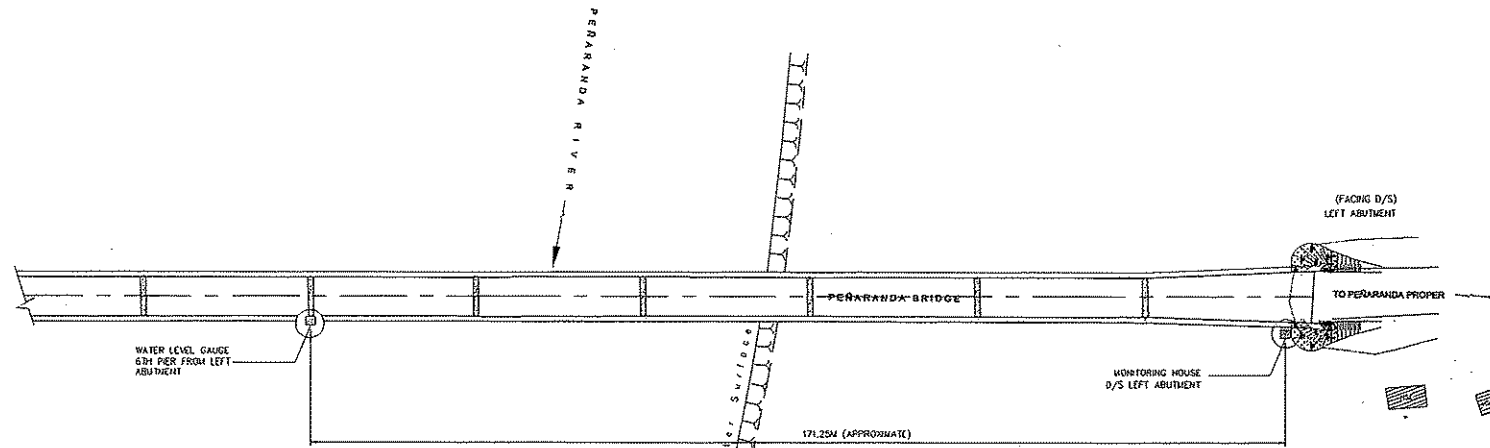
**B-B' SECTION**

SCALE 1:20



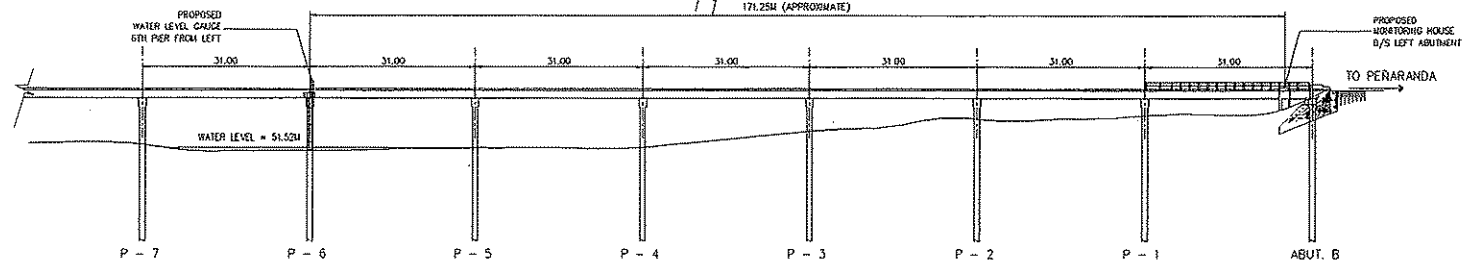
**C-C' SECTION**

SCALE 1:20



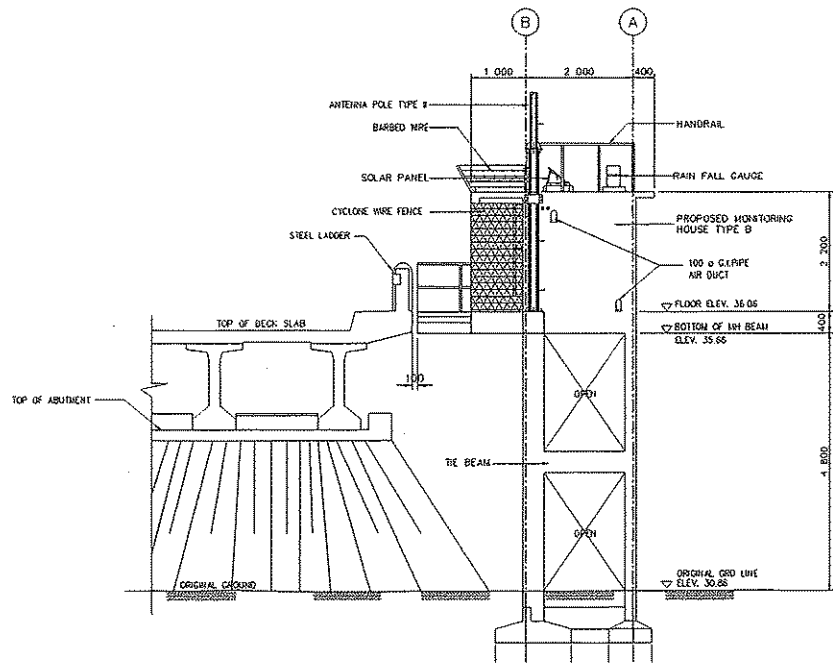
**LAYOUT PLAN**

SCALE 1:600

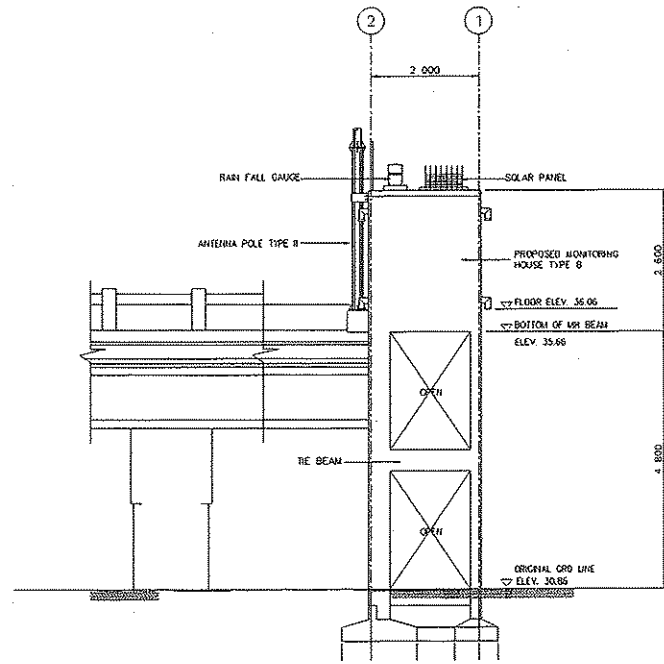


**GENERAL ELEVATION  
(FACING UPSTREAM)**

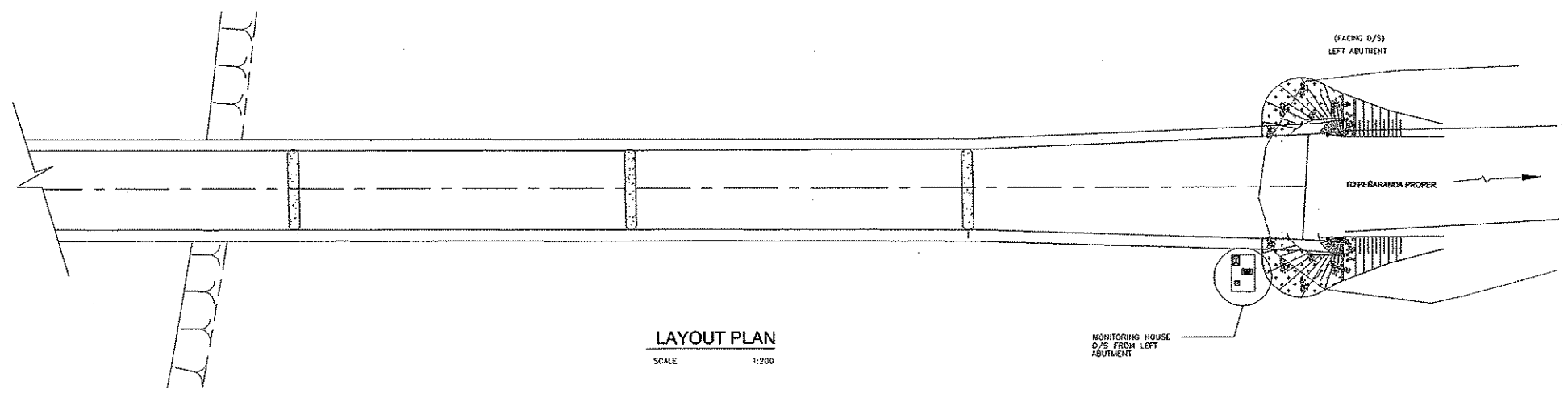
SCALE 1:500



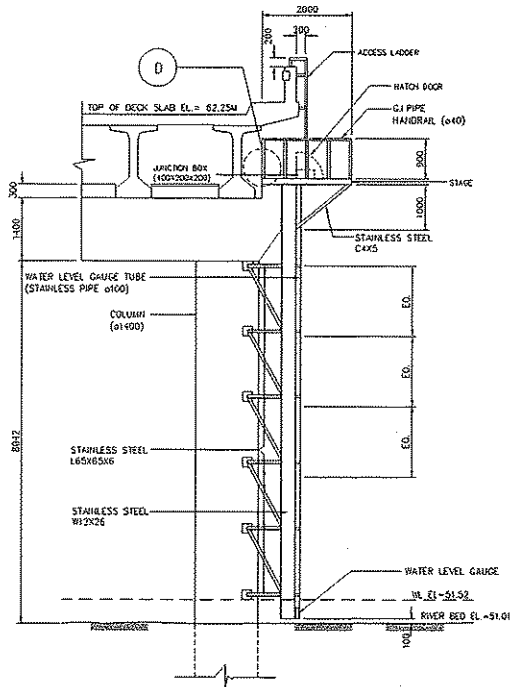
**ELEVATION**  
SCALE 1:50



**REAR ELEVATION**  
SCALE 1:50

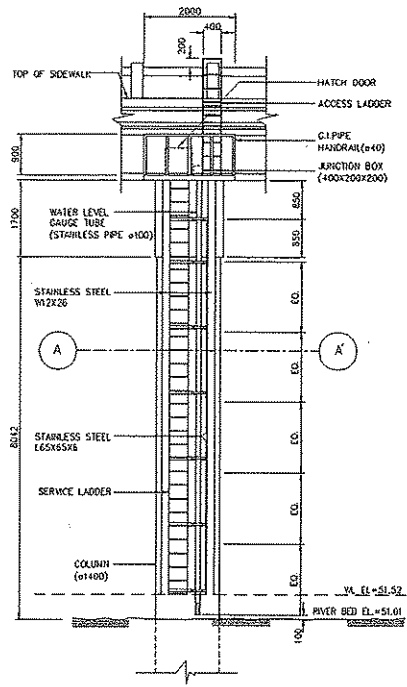


**LAYOUT PLAN**  
SCALE 1:200



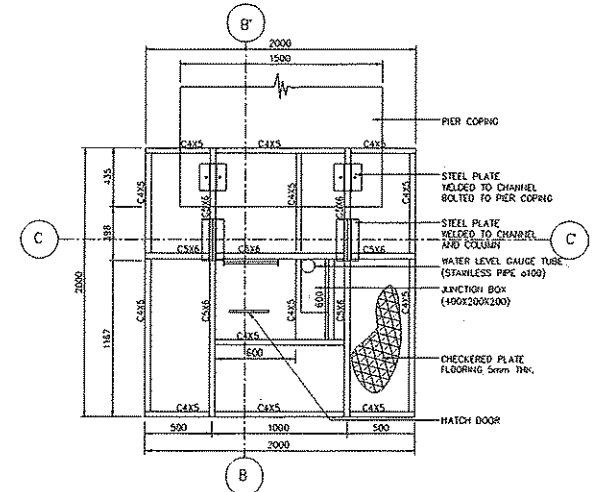
**SIDE ELEVATION**

SCALE 1:60



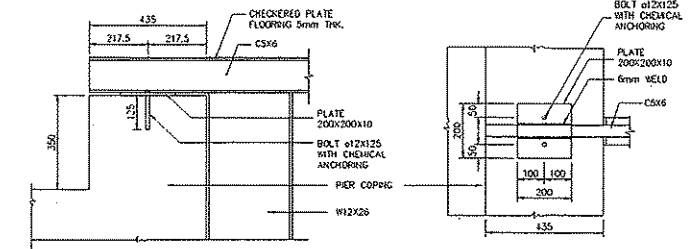
**FRONT ELEVATION**

SCALE 1:60



**FRAMING PLAN AT STAGE**

SCALE 1:20



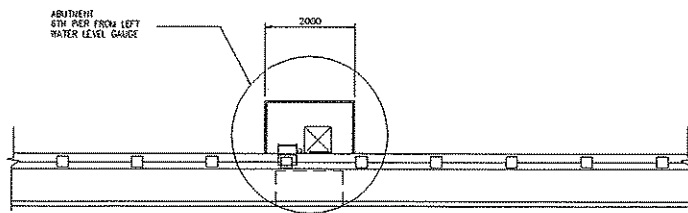
**ELEVATION**

SCALE 1:10

**PLAN**

SCALE 1:10

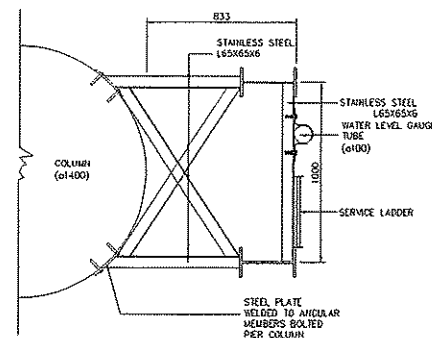
- NOTE :**
- Structural steel immersed in water and water level gauge tube shall be of stainless steel excluding the stage and above.
  - Connections between stainless and galvanized steel must be bolted using stainless bolts.



**LAYOUT PLAN**

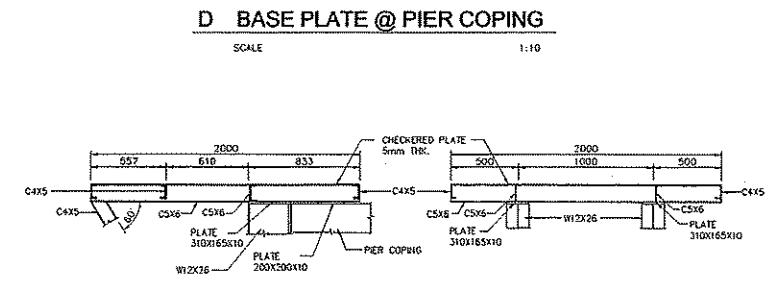
SCALE 1:60

JBC



**A-A' SECTION**

SCALE 1:15



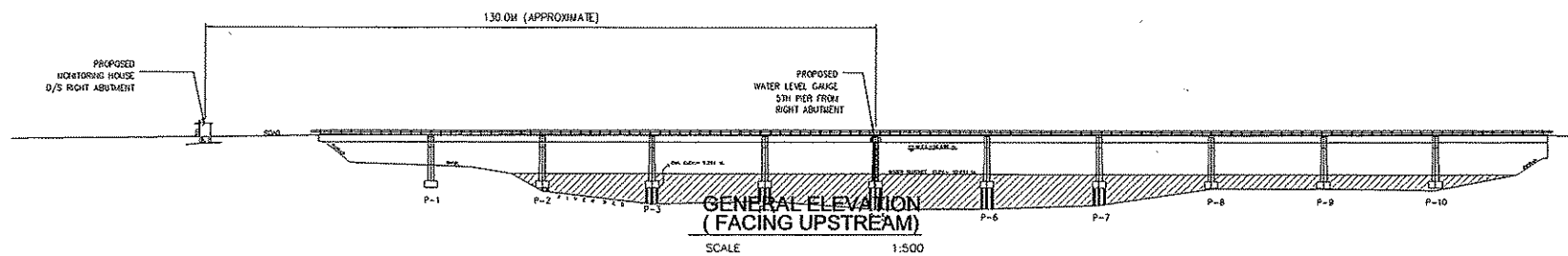
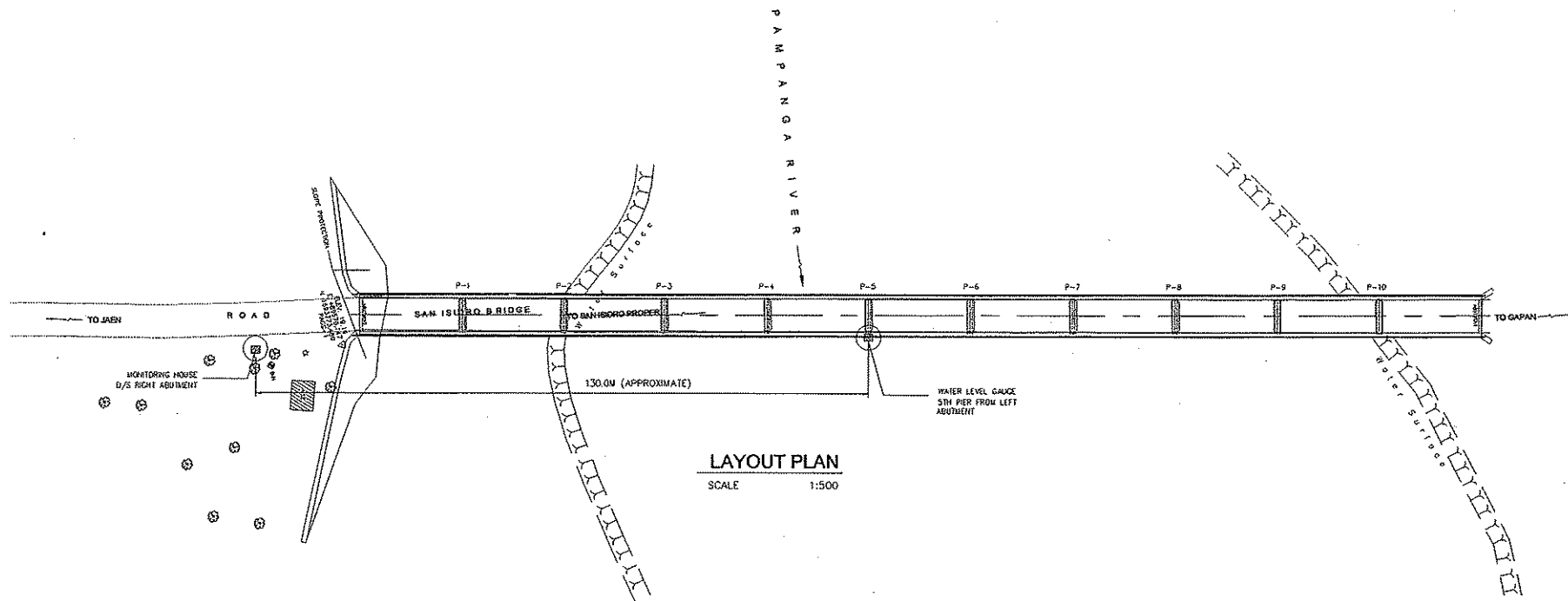
**B-B' SECTION**

SCALE 1:20

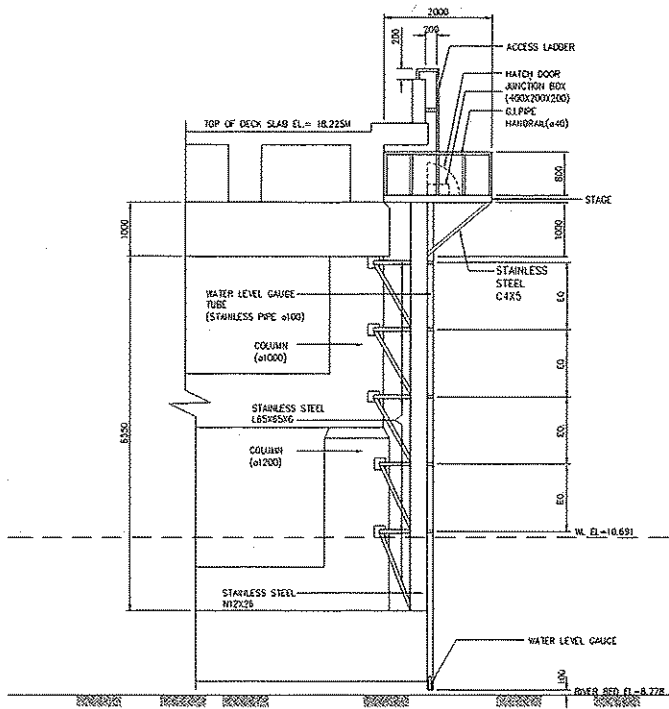
**C-C' SECTION**

SCALE 1:20



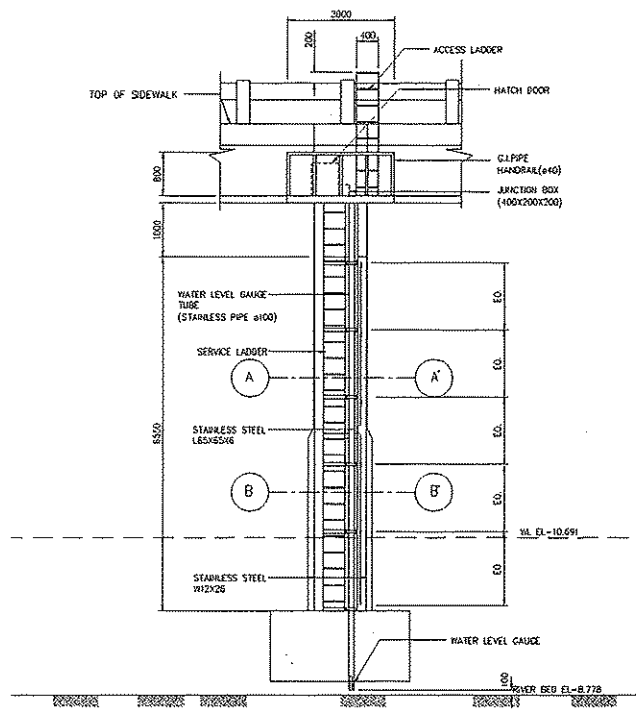






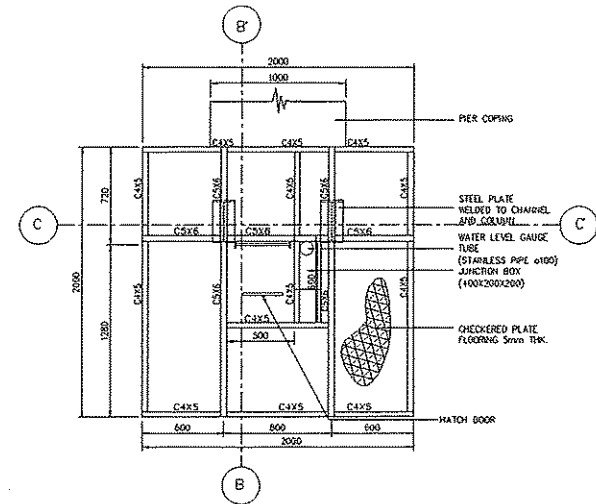
**ELEVATION**

SCALE 1:50



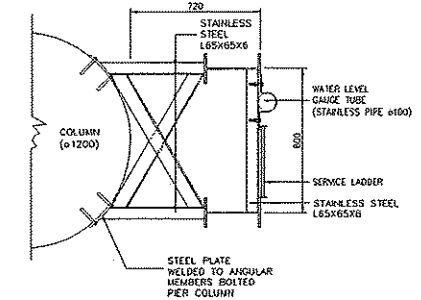
**REAR ELEVATION**

SCALE 1:50



**FRAMING PLAN AT STAGE**

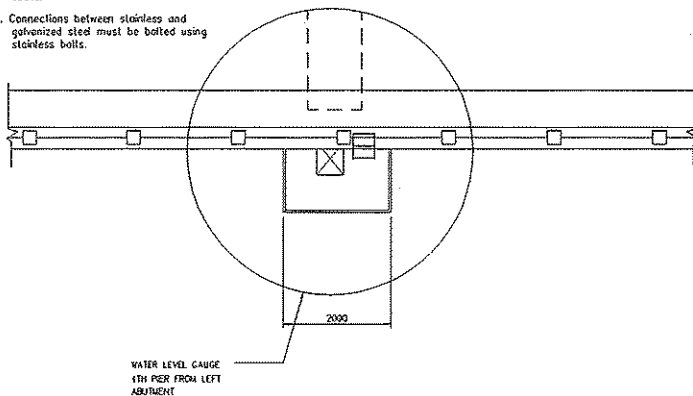
SCALE 1:20



**B-B' SECTION**

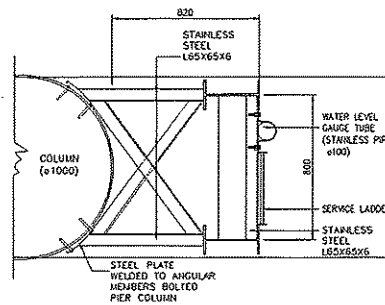
SCALE 1:15

- NOTE :
- Structural steel immersed in water and water level gauge tube shall be of stainless steel excluding the stage and above.
  - Connections between stainless and galvanized steel must be bolted using stainless bolts.



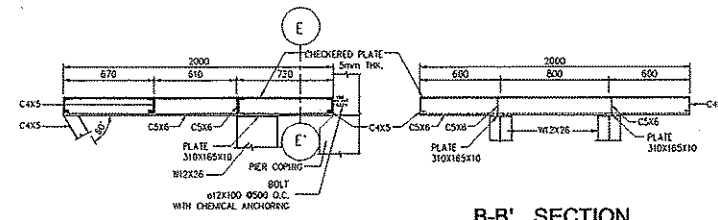
**LAYOUT PLAN**

SCALE 1:50



**A-A' SECTION**

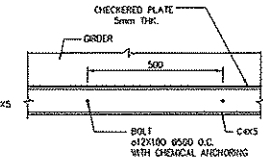
SCALE 1:15



**B-B' SECTION**

**B-B' SECTION**

SCALE 1:20



**E-E' SECTION**

SCALE 1:10



JAPAN INTERNATIONAL COOPERATION AGENCY

PROJECT & LOCATION:

UPGRADING OF FLOOD FORECASTING AND WARNING SYSTEM IN THE PAMPANGA AND AGNO RIVER BASINS

SHEET CONTENTS

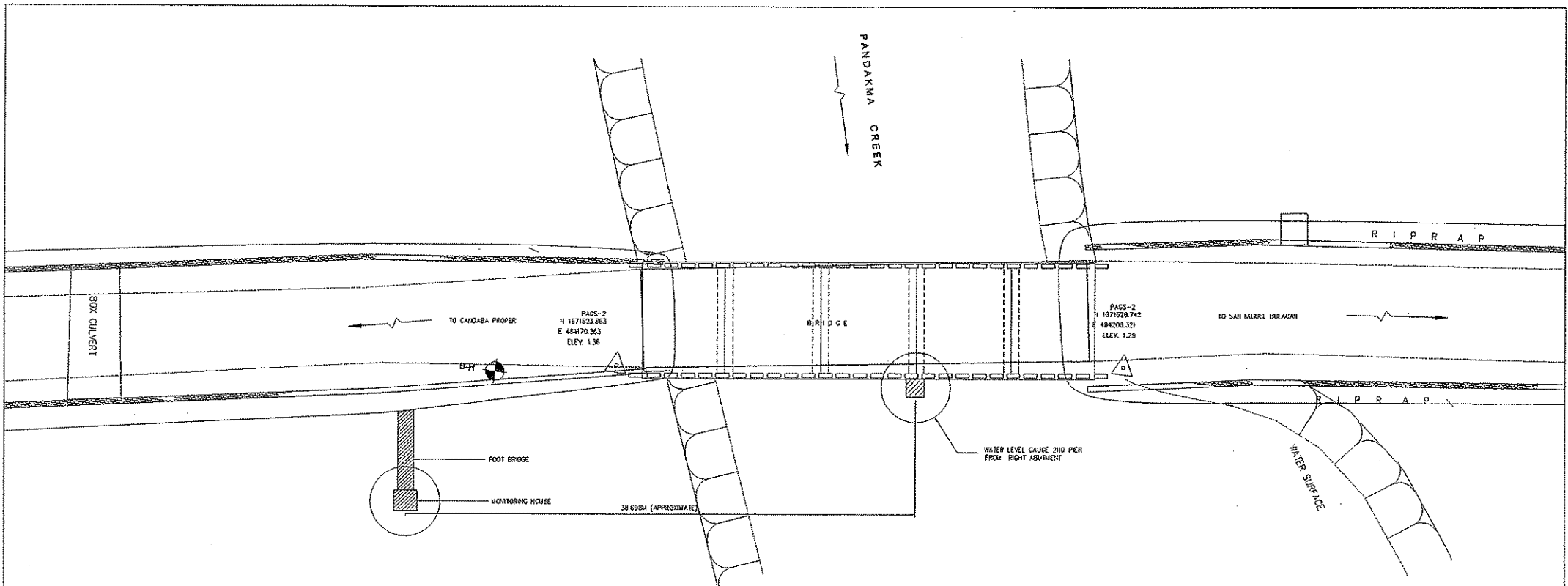
SAN ISIDRO STATION  
WATER LEVEL GAUGE  
LAYOUT PLAN, ELEVATION DETAILS AND SECTIONS

SET

C-PM-03

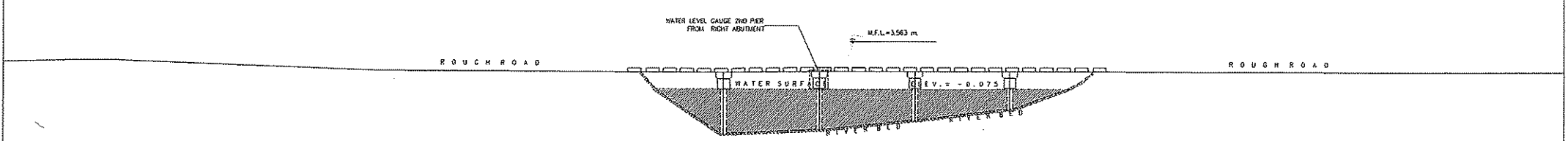
SHT. NO.

10  
45



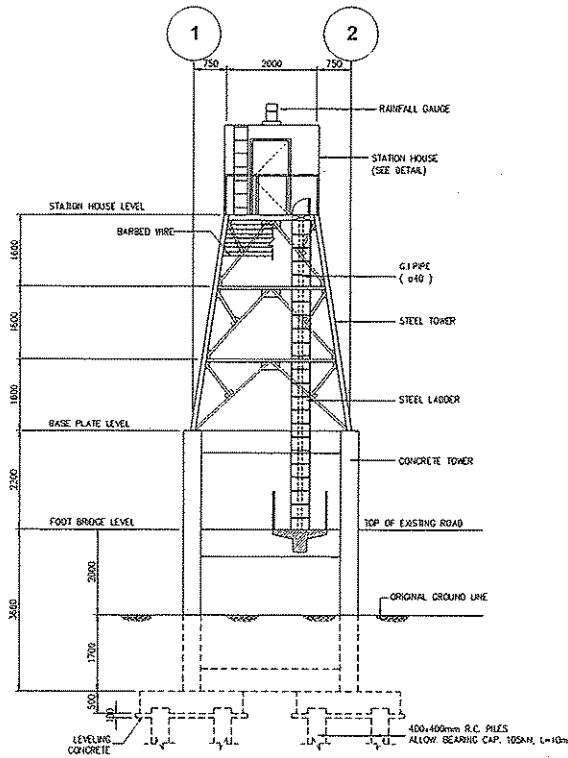
**LAYOUT PLAN**

SCALE 1:150



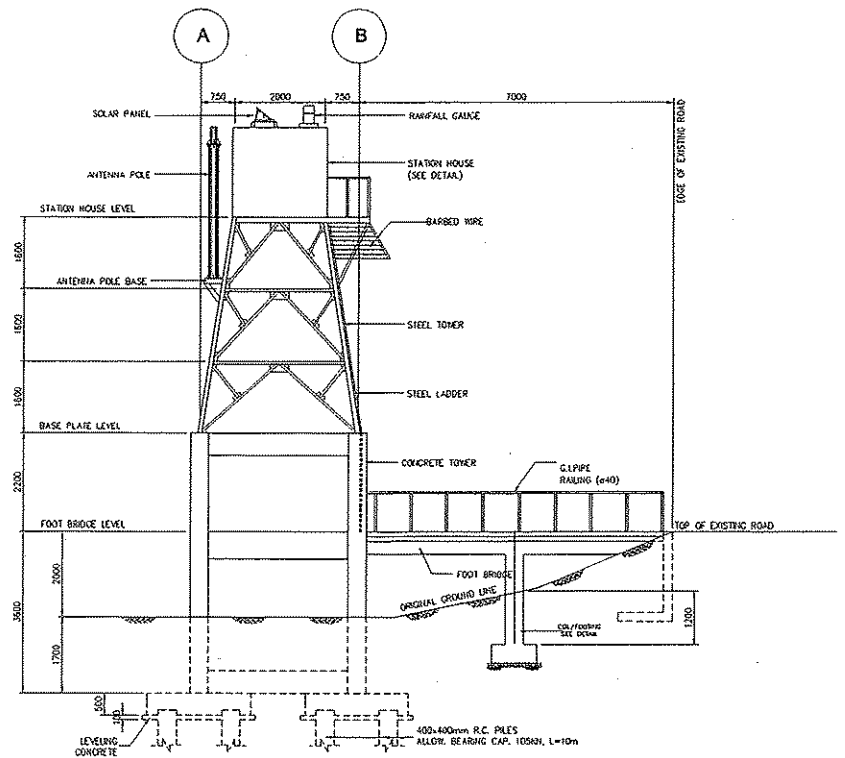
**GENERAL ELEVATION  
(FACING UPSTREAM)**

SCALE 1:150



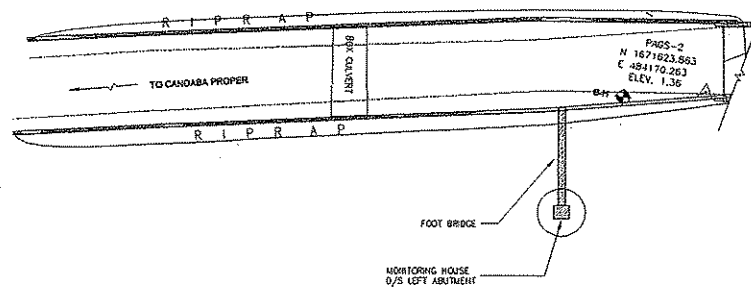
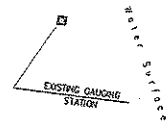
**ELEVATION**

SCALE 1:80



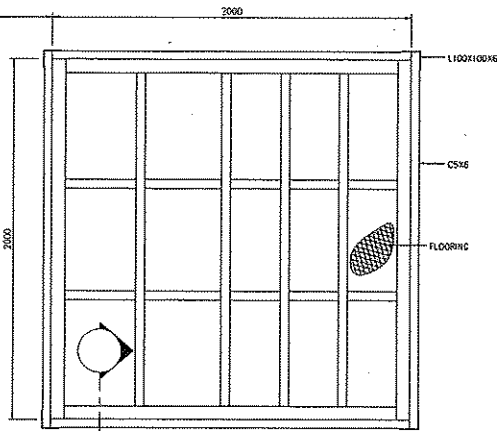
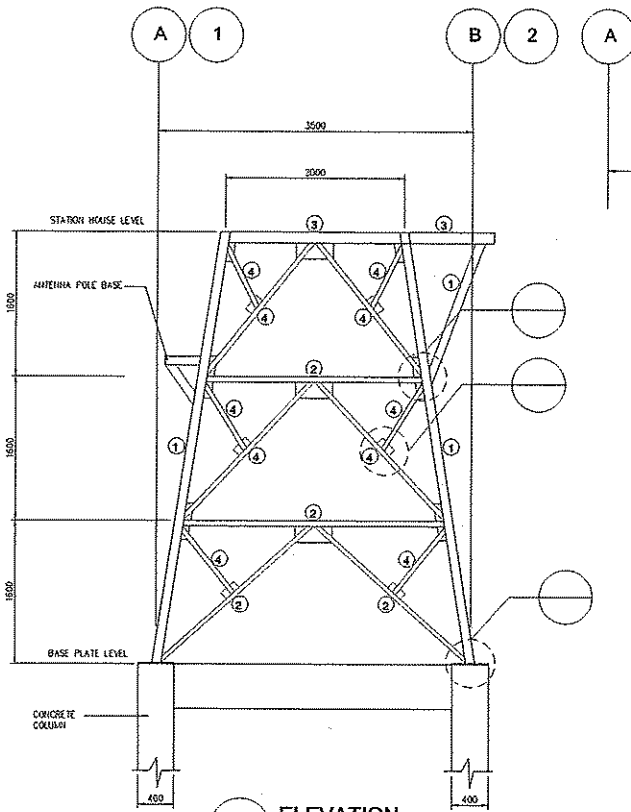
**ELEVATION**

SCALE 1:80

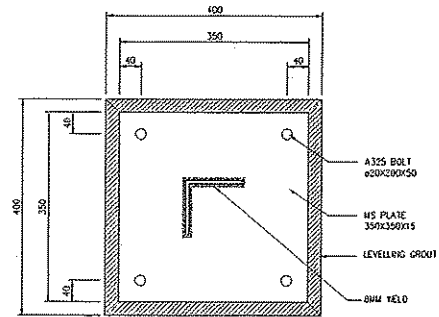


**LAYOUT PLAN**

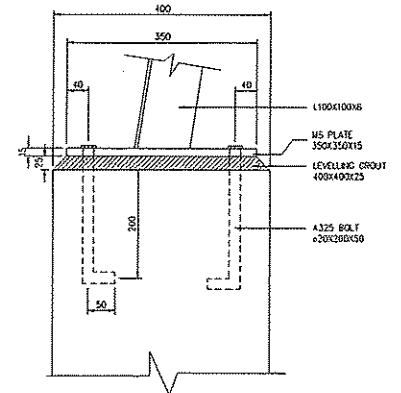
SCALE 1:300



**FRAMING PLAN STATION HOUSE LEVEL**  
SCALE 1:15



**PLAN**  
SCALE 1:5

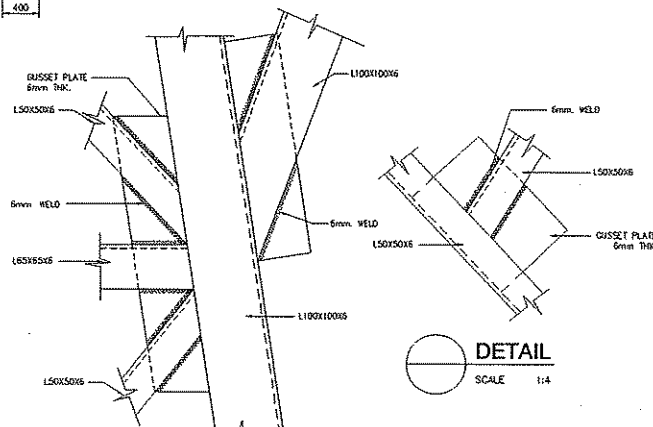


**ELEVATION**  
SCALE 1:5

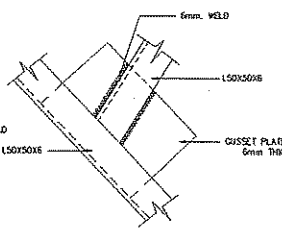
**BASE PLATE DETAIL**  
SCALE 1:5

**ELEVATION**  
SCALE 1:30

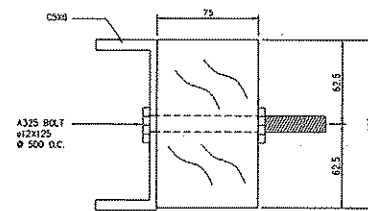
MEMBER	SIZES
①	L100X100X6
②	L65X65X6
③	C5X56
④	L50X50X6



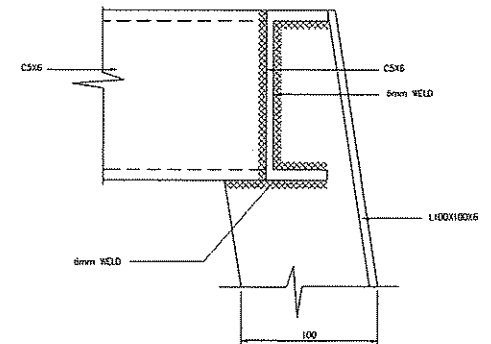
**DETAIL**  
SCALE 1:4



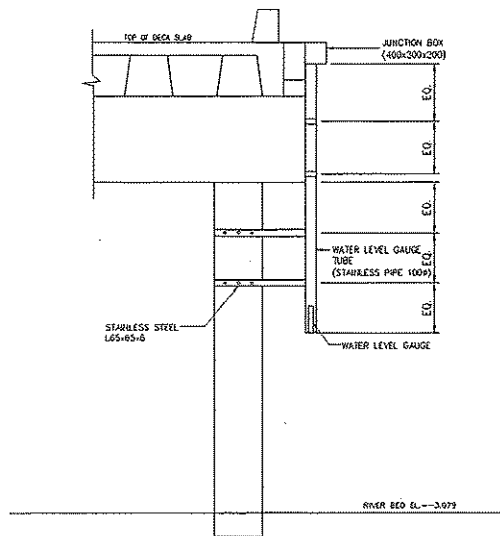
**DETAIL**  
SCALE 1:4



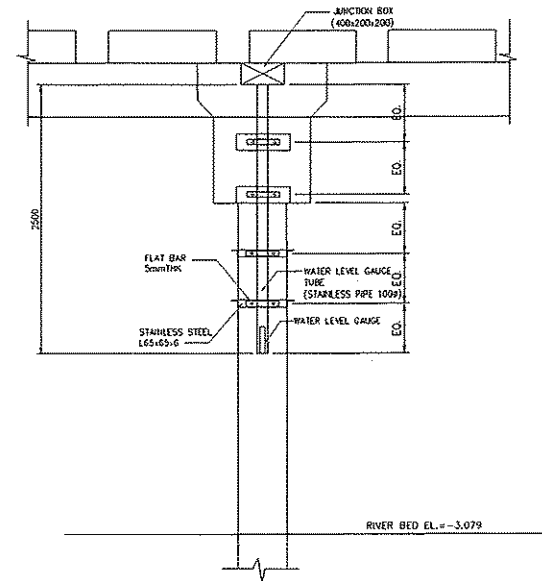
**SECTION**  
SCALE 1:2



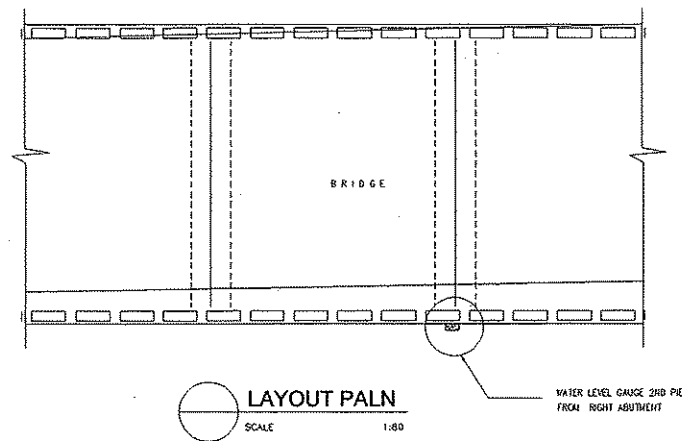
**DETAIL**  
SCALE 1:2



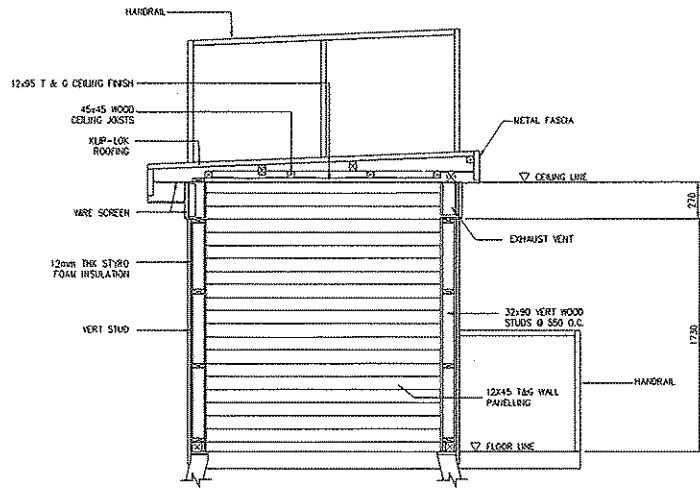
**SIDE ELEVATION**  
SCALE 1:25



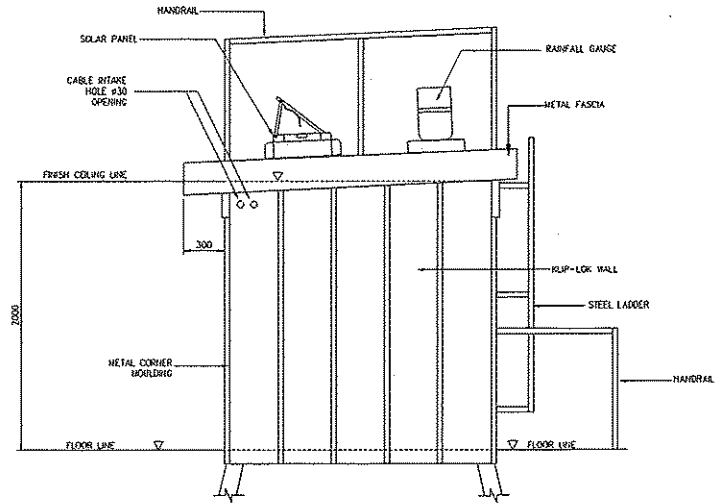
**FRONT ELEVATION**  
SCALE 1:25



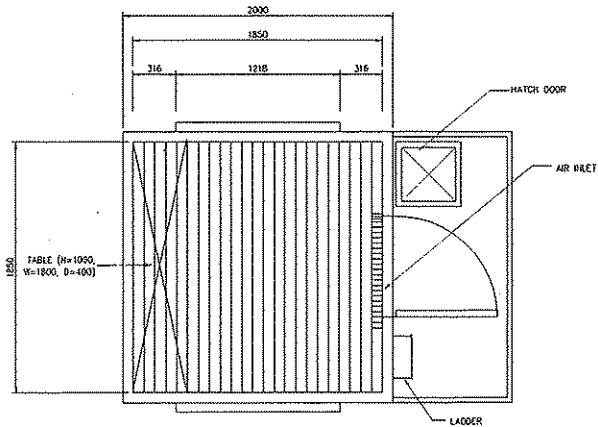
**LAYOUT PLAN**  
SCALE 1:60



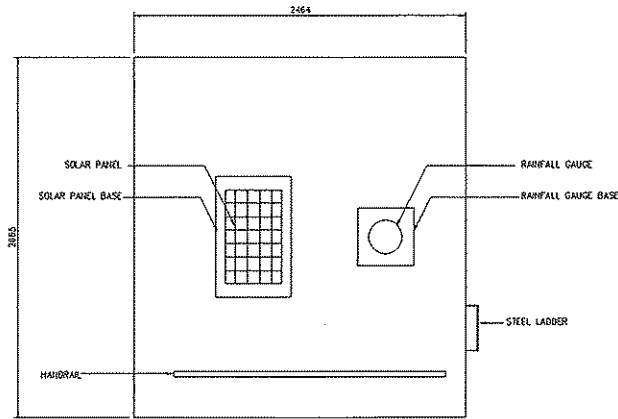
SECTION THRU-A  
SCALE 1:20



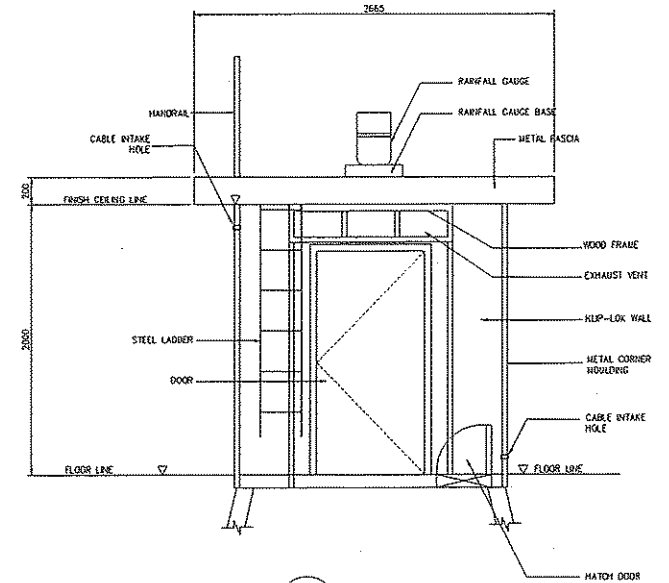
ELEVATION  
SCALE 1:20



FLOOR PLAN  
SCALE 1:20

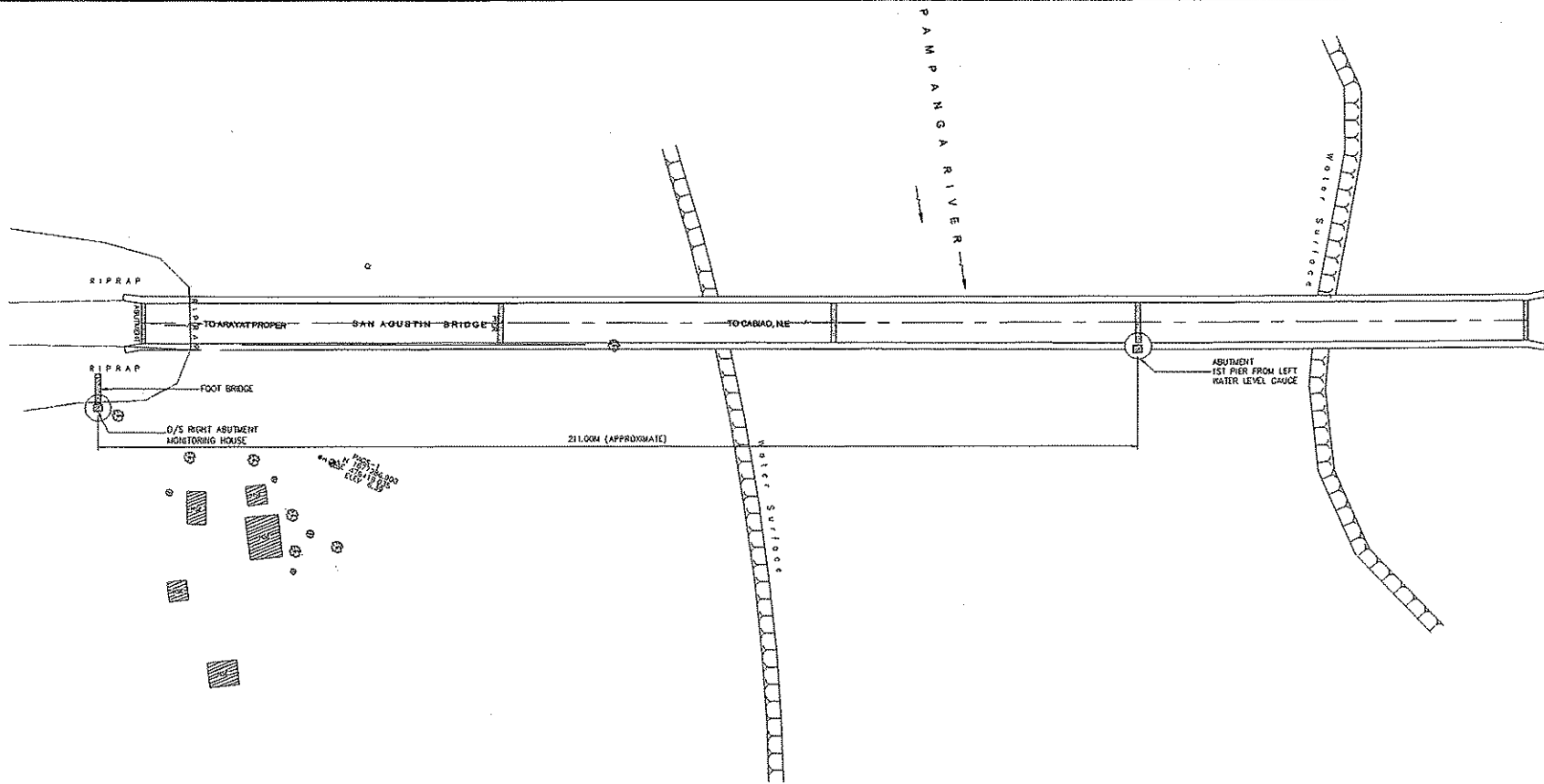


ROOF PLAN  
SCALE 1:20



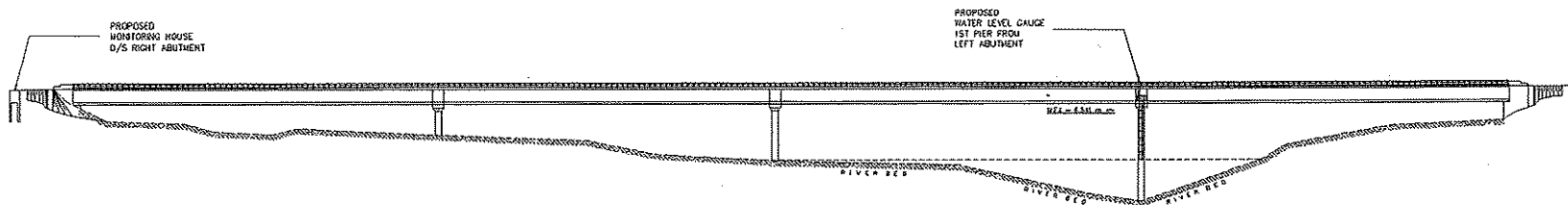
ELEVATION  
SCALE 1:20





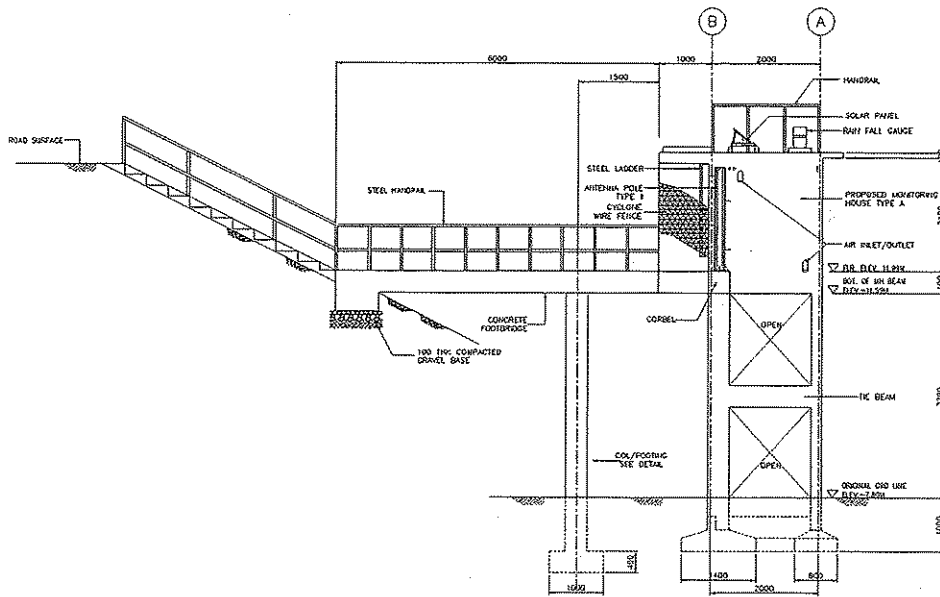
LAYOUT PLAN

SCALE 1:500



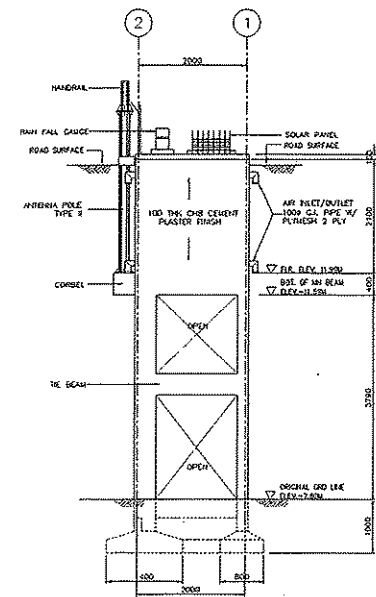
GENERAL ELEVATION (FACING UPSTREAM)

SCALE 1:500



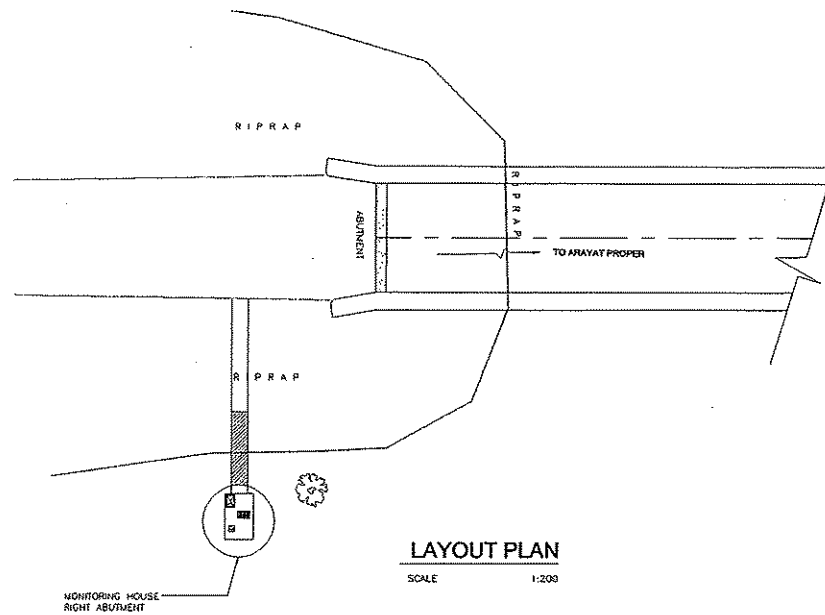
**ELEVATION**

SCALE 1:50



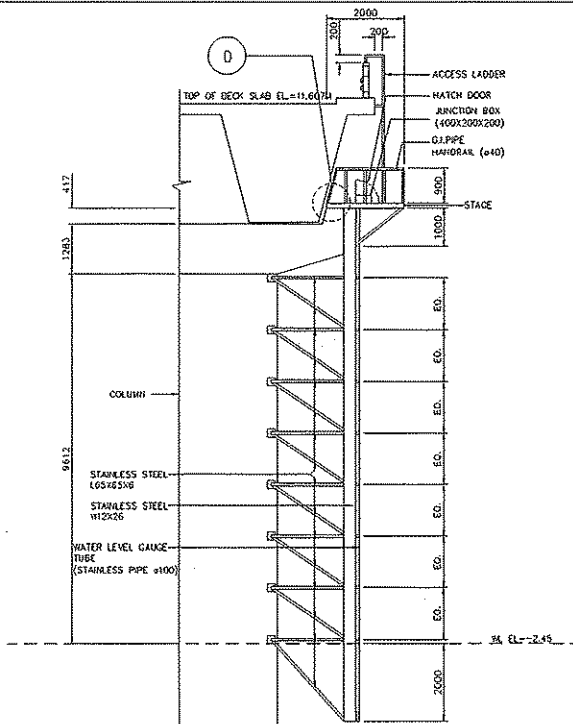
**REAR ELEVATION**

SCALE 1:50

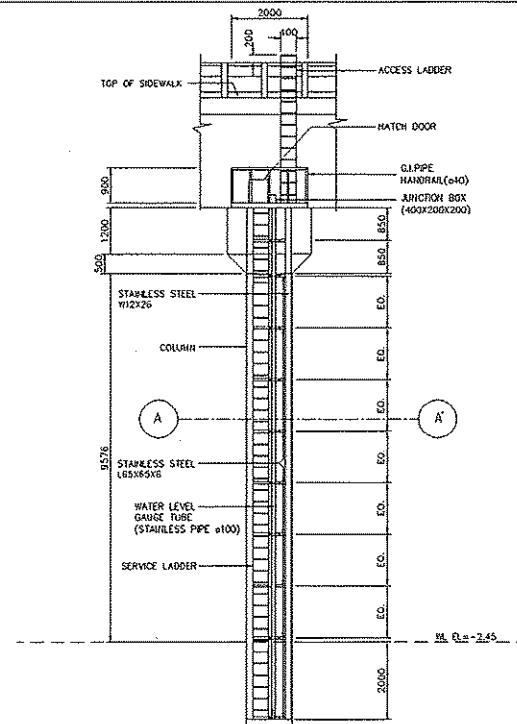


**LAYOUT PLAN**

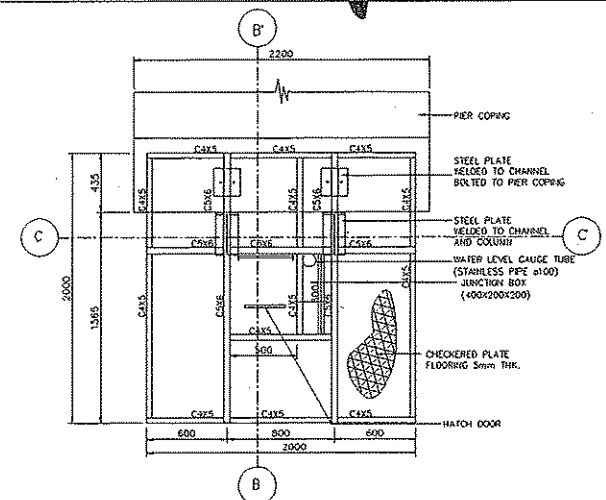
SCALE 1:200



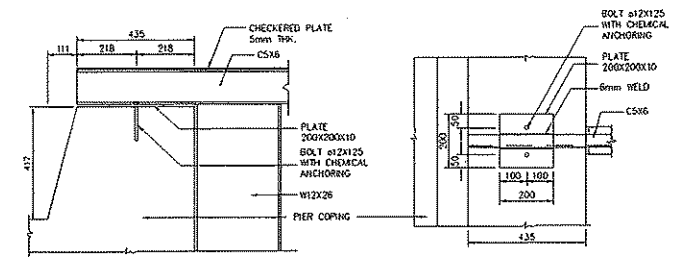
**SIDE ELEVATION**  
SCALE 1:70



**FRONT ELEVATION**  
SCALE 1:70



**FRAMING PLAN AT STAGE**  
SCALE 1:20

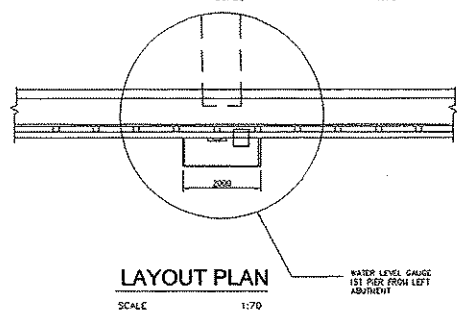


**SIDE ELEVATION**  
SCALE 1:10

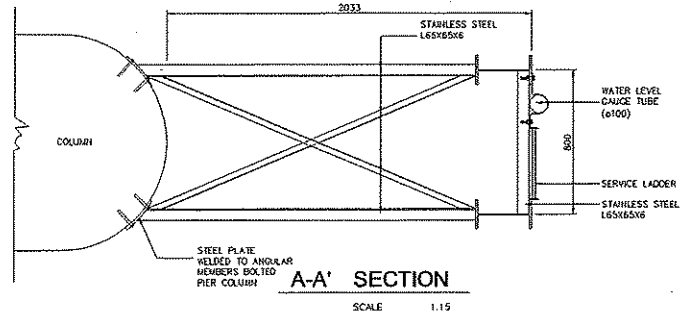
**PLAN**  
SCALE 1:10

**D BASE PLATE @ PIER COPING**  
SCALE 1:10

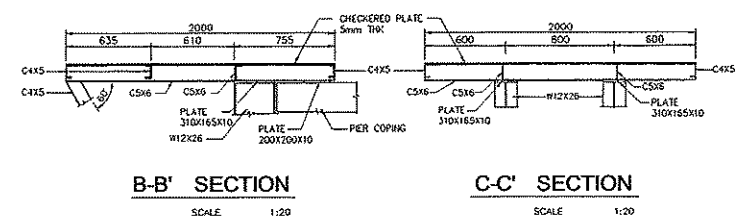
- NOTE :
1. Structural steel immersed in water and water level gauge tube shall be of stainless steel excluding the stage and above.
  2. Connections between stainless and galvanized steel must be bolted using stainless bolts.



**LAYOUT PLAN**  
SCALE 1:70




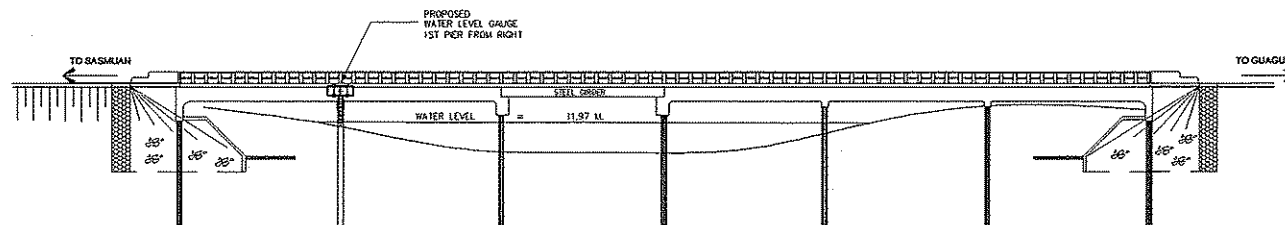
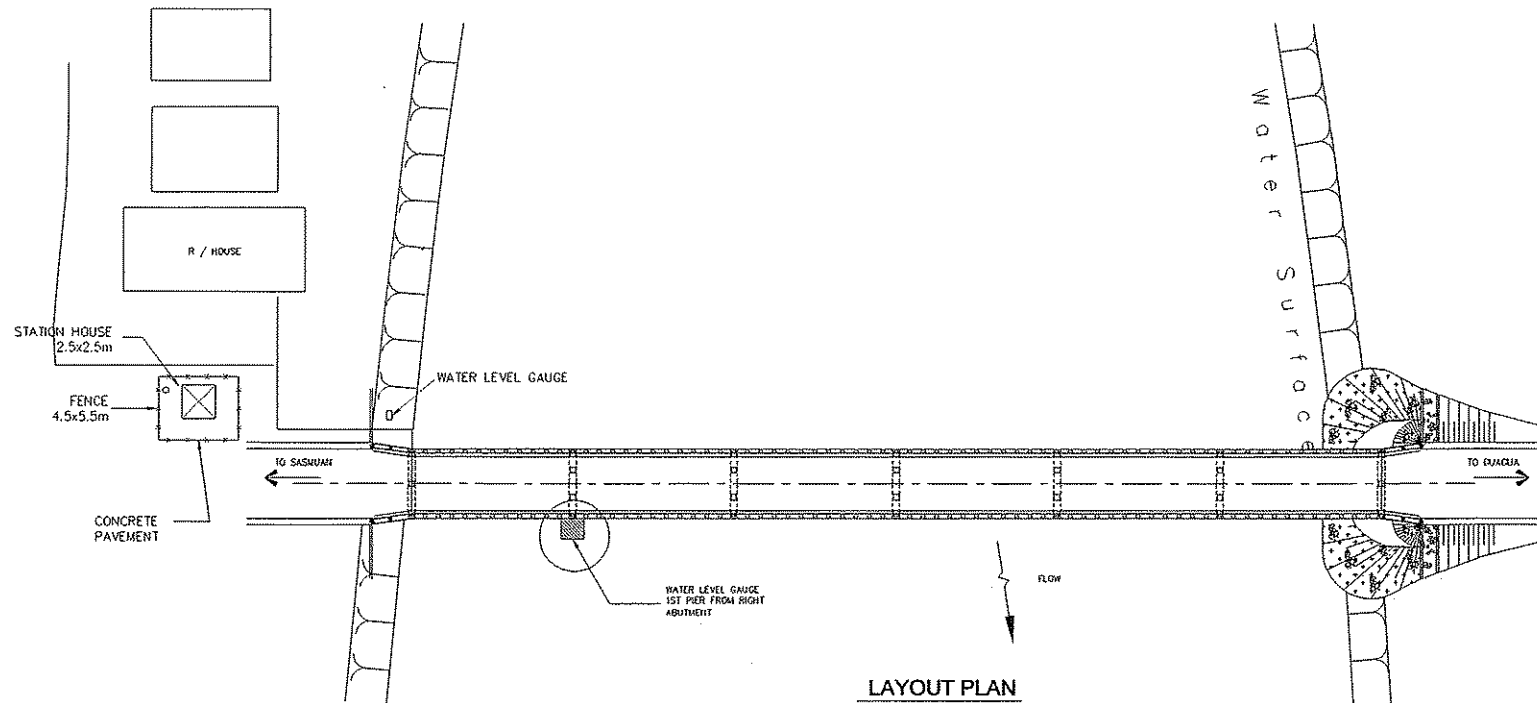
**A-A' SECTION**  
SCALE 1:15

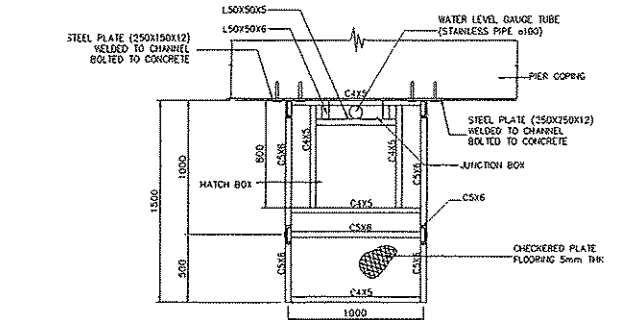
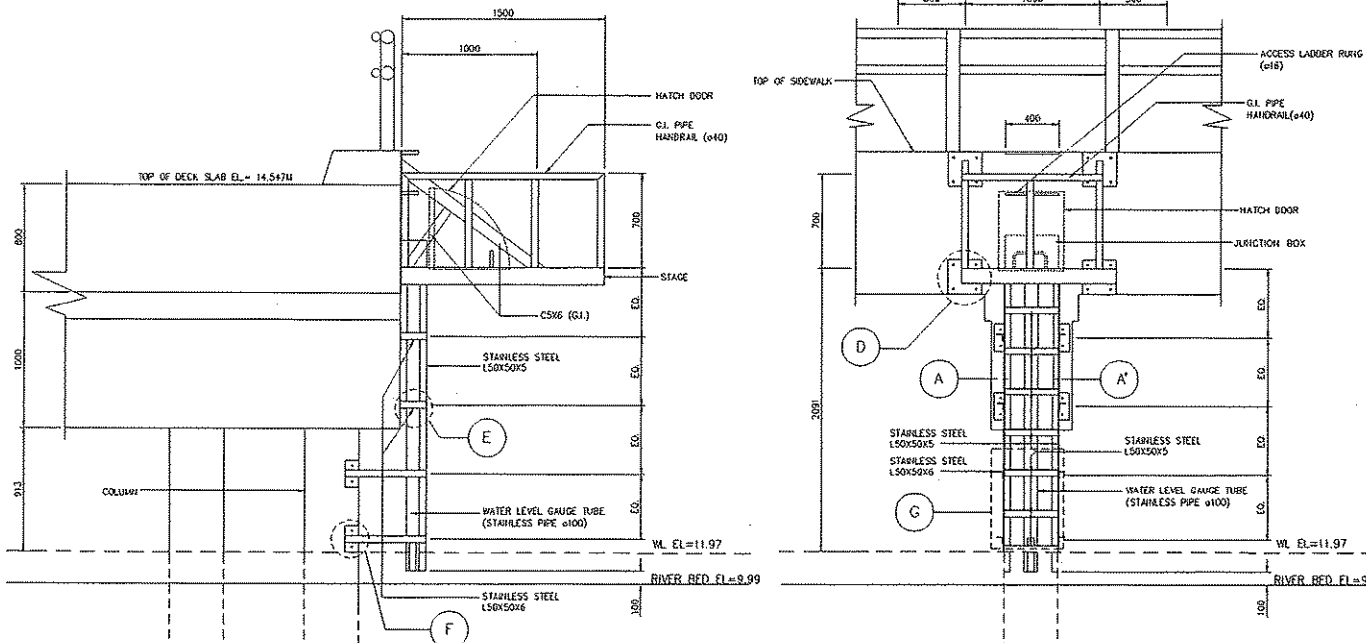


**B-B' SECTION**  
SCALE 1:20

**C-C' SECTION**  
SCALE 1:20

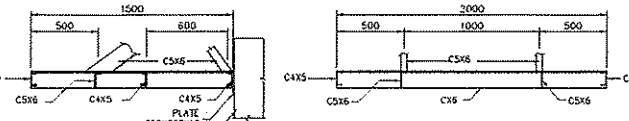
 <b>JICA</b> JAPAN INTERNATIONAL COOPERATION AGENCY	PROJECT & LOCATION:	SHEET CONTENTS	SET	SHT. NO.
	UPGRADING OF FLOOD FORECASTING AND WARNING SYSTEM IN THE PAMPANGA AND AGNO RIVER BASINS	ARAYAT STATION WATER LEVEL GAUGE LAYOUT PLAN, ELEVATION DETAILS AND SECTIONS	C-PM-F3	18 45





**FRAMING PLAN AT STAGE**

SCALE 1:20

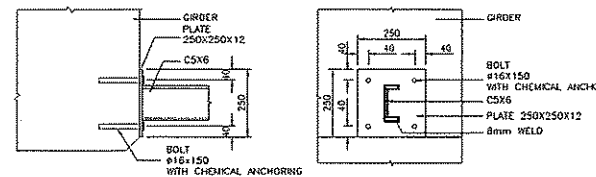


**B-B' SECTION**

SCALE 1:20

**C-C' SECTION**

SCALE 1:20



**ELEVATION**

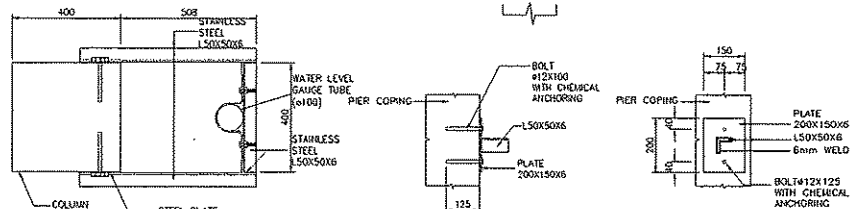
SCALE 1:10

**PLAN**

SCALE 1:10

**D BASE PLATE @ PIER COPING**

SCALE 1:10



**ELEVATION**

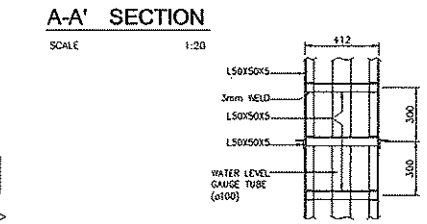
SCALE 1:20

**PLAN**

SCALE 1:20

**STEEL PLATE @ PIER COPING**

SCALE 1:10



**A-A' SECTION**

SCALE 1:20

**ELEVATION**

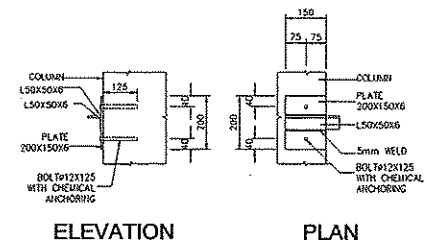
SCALE 1:15

**PLAN**

SCALE 1:15

**BASE PLATE @ PIER COPING**

SCALE 1:15



**ELEVATION**

SCALE 1:10

**PLAN**

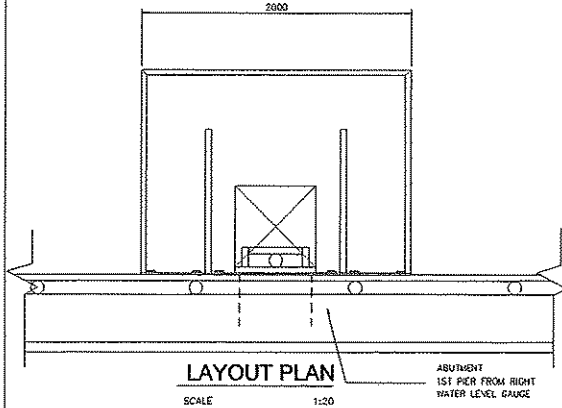
SCALE 1:10

**D BASE PLATE @ STEEL COLUMN**

SCALE 1:10

NOTE

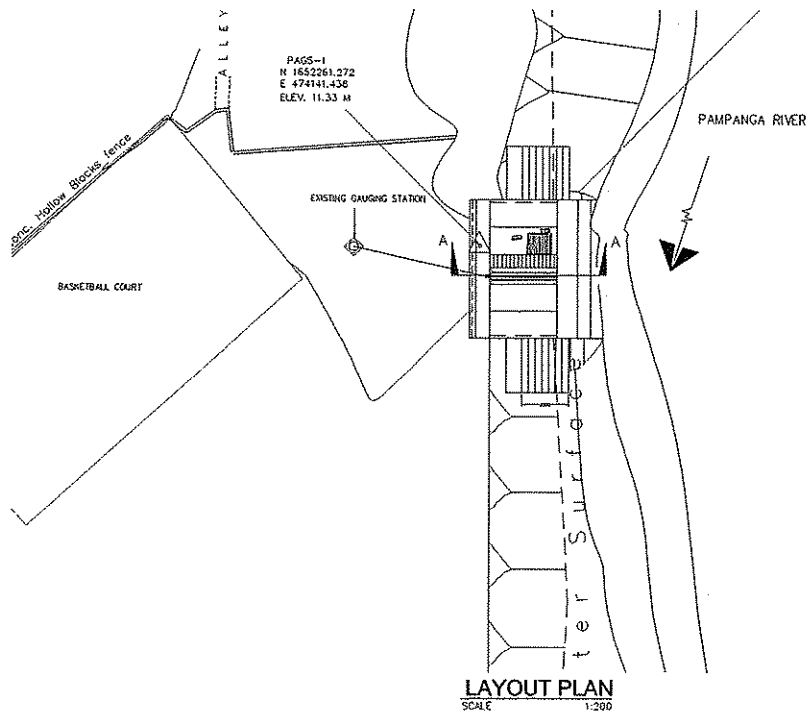
- Structural steel immersed in water and water level gauge tube shall be of stainless steel excluding the stage and above.
- Connections between stainless and galvanized steel must be bolted using stainless bolts.



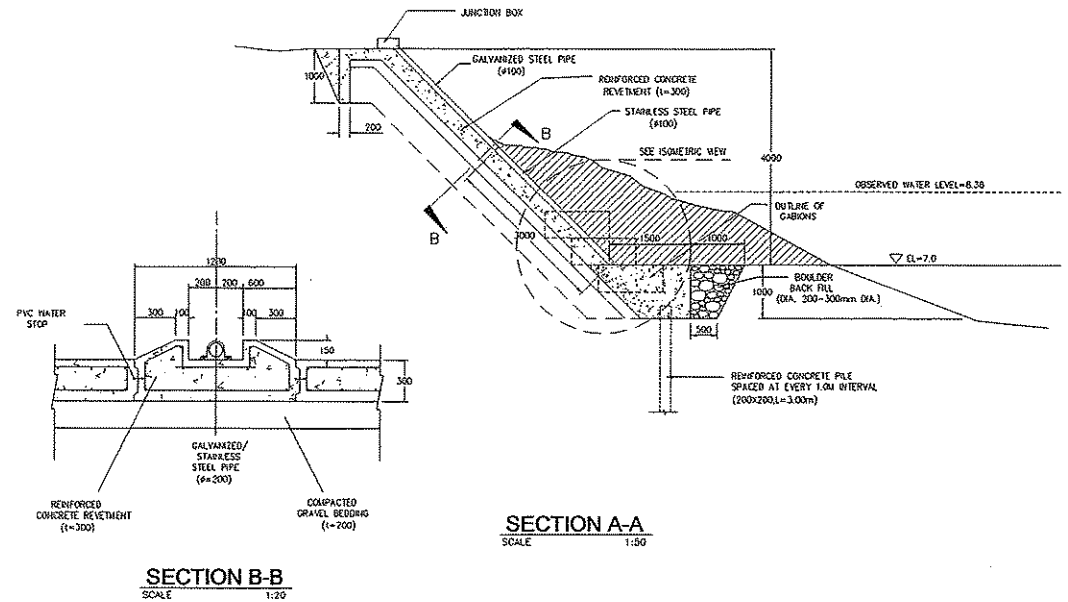
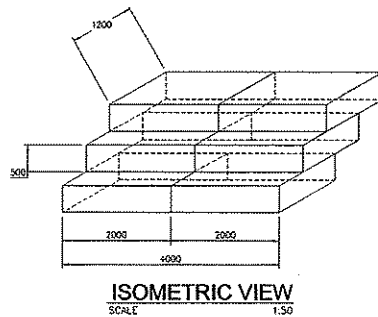
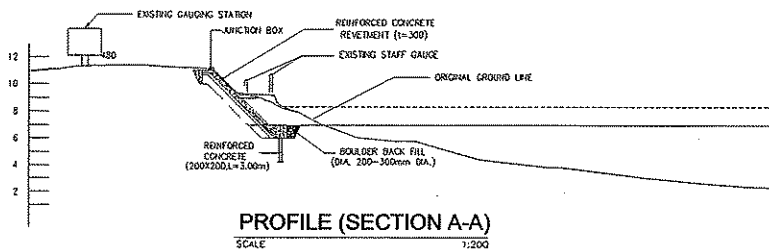
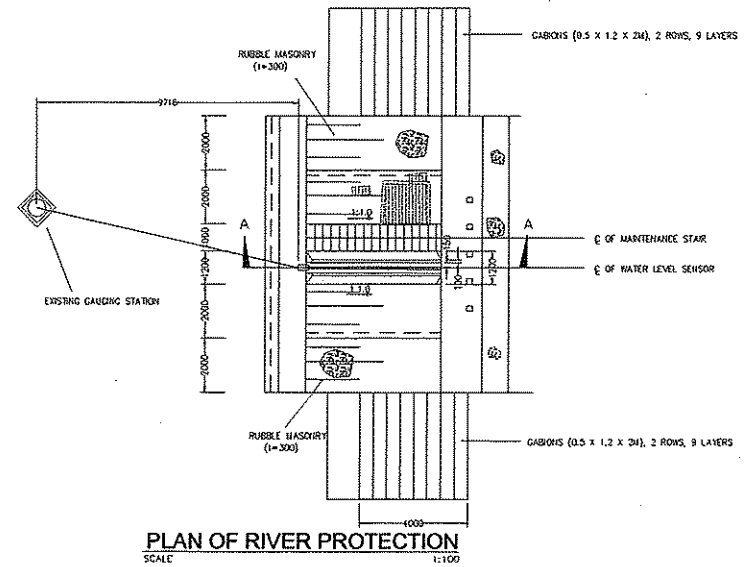
**LAYOUT PLAN**

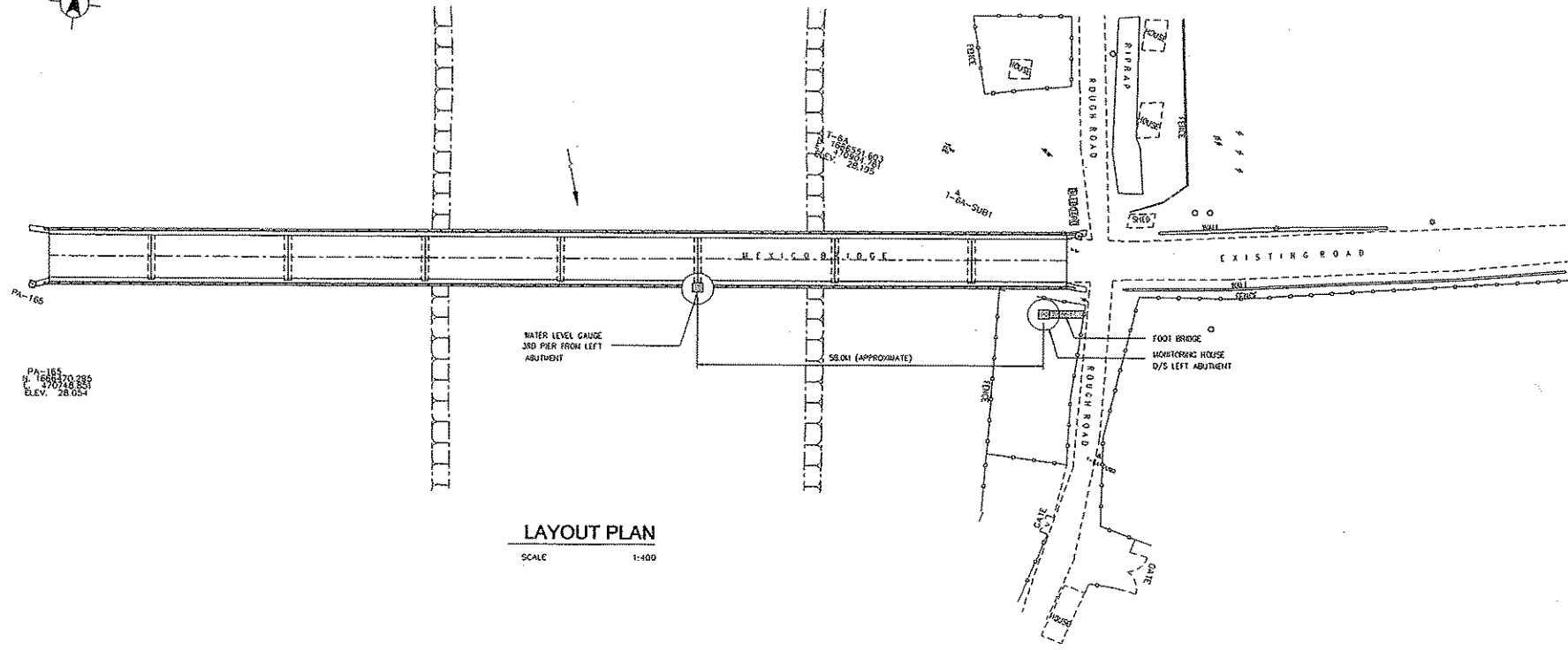
SCALE 1:20

PROJECT & LOCATION:	SHEET CONTENTS	SET	SHT. NO.
UPGRADING OF FLOOD FORECASTING AND WARNING SYSTEM IN THE PAMPANGA AND AGNO RIVER BASINS	SASMUAN STATION WATER LEVEL GAUGE LAYOUT PLAN, ELEVATION DETAILS AND SECTIONS	C-PM-62	20 / 45

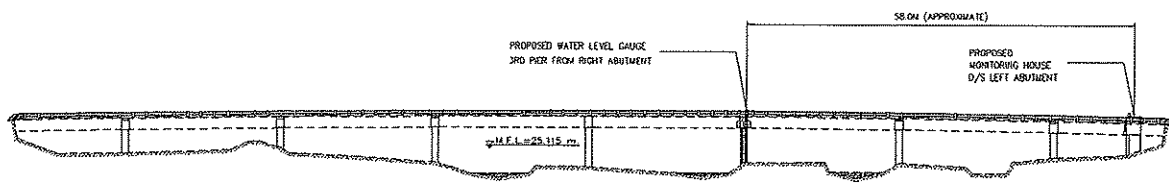


REFERENCE POINT	
PAGS 1	
N	1652261.272
E	474141.438
ELEV	11.33M





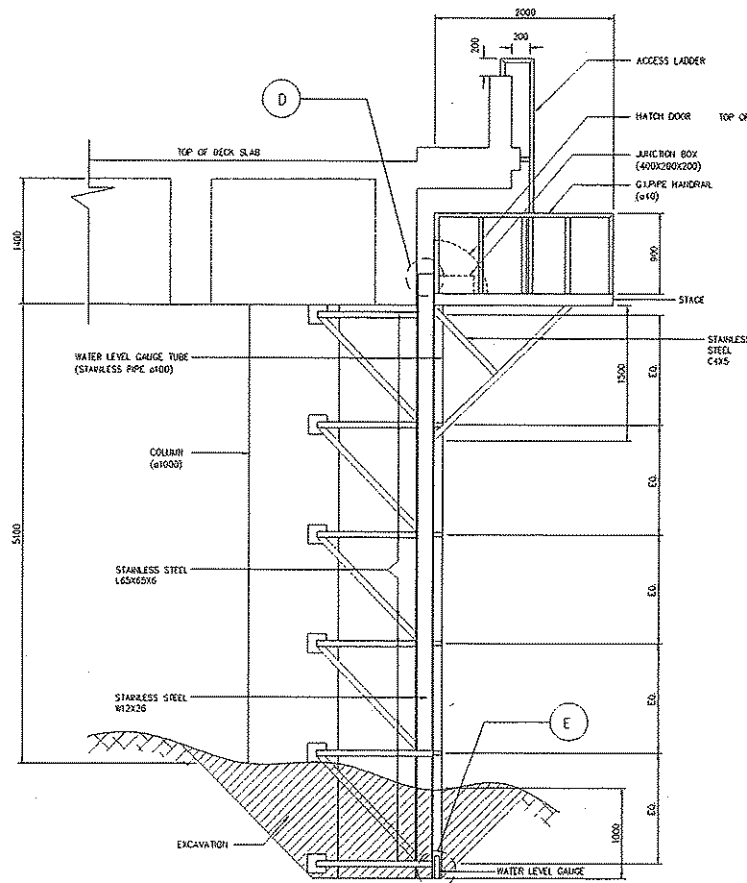
**LAYOUT PLAN**  
SCALE 1:100



**GENERAL ELEVATION  
(FACING UPSTREAM)**  
SCALE 1:100

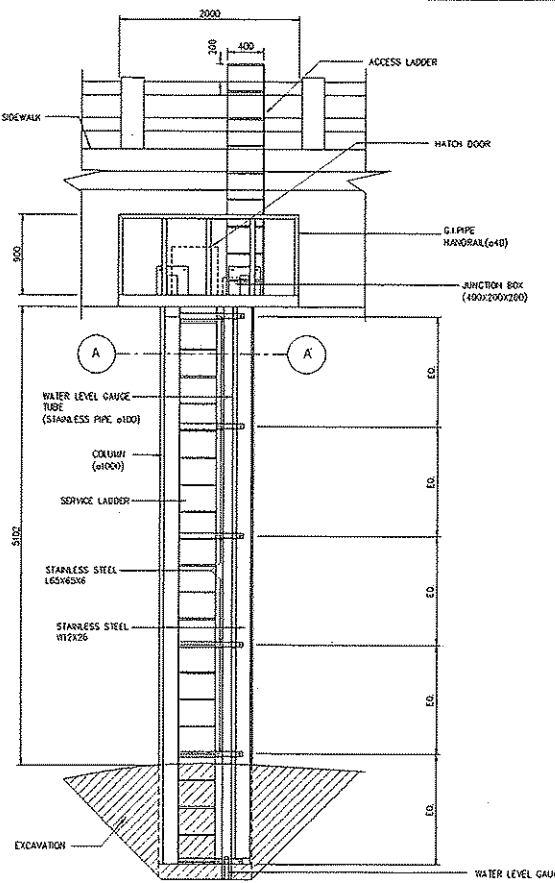






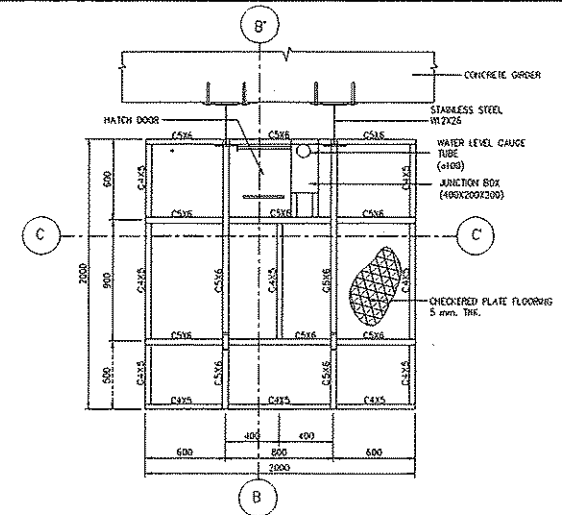
**ELEVATION**

SCALE 1:30



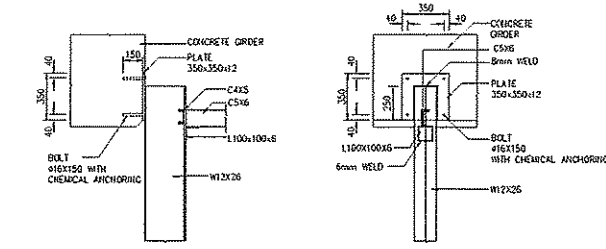
**REAR ELEVATION**

SCALE 1:30



**FRAMING PLAN AT STAGE**

SCALE 1:20



**SIDE ELEVATION**

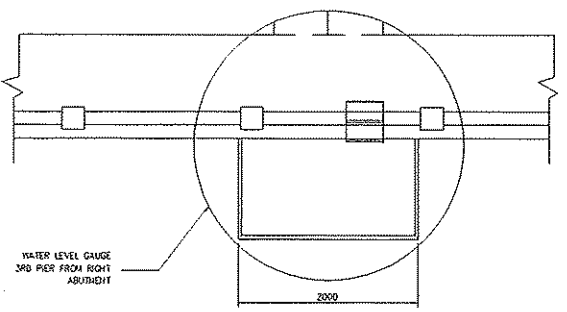
SCALE 1:20

**FRONT ELEVATION**

SCALE 1:20

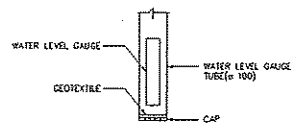
**BASE PLATE @ PIER COPING**

SCALE 1:20



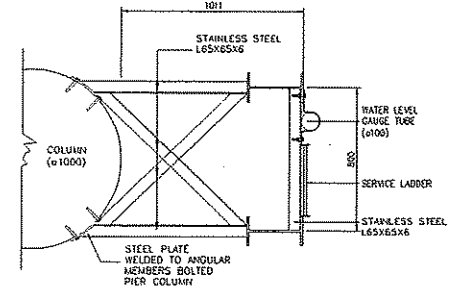
**LAYOUT PLAN**

SCALE 1:30



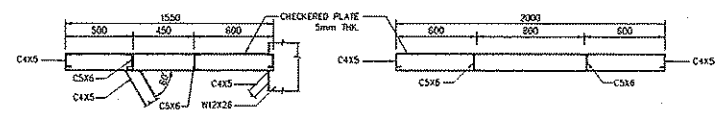
**E DETAIL**

SCALE 1:10



**A-A' SECTION**

SCALE 1:15

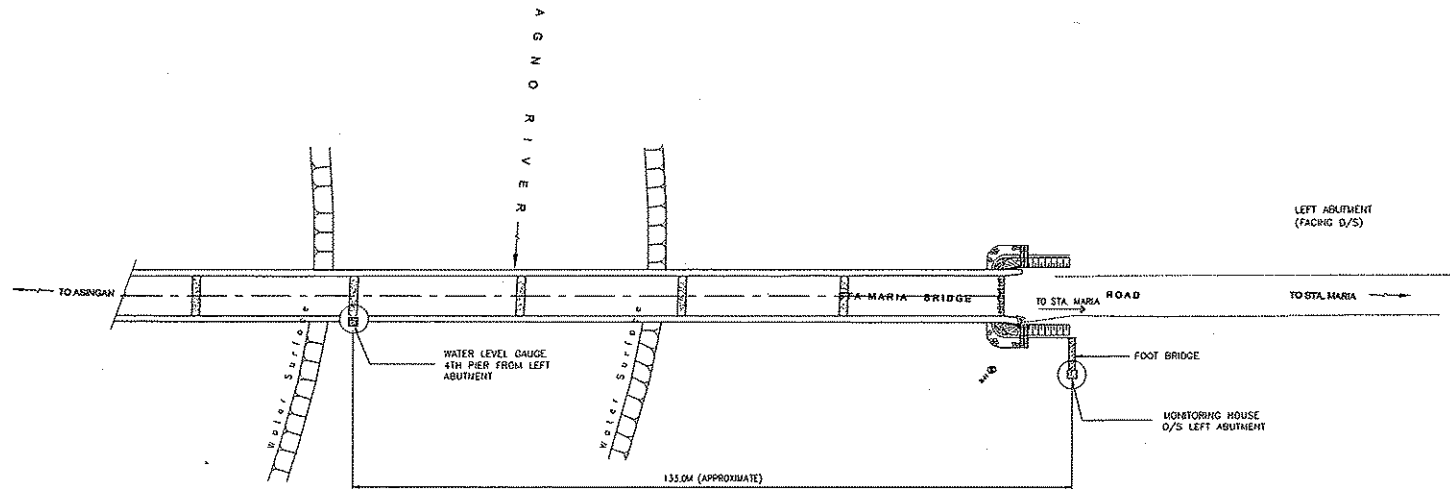


**B-B' SECTION**

SCALE 1:20

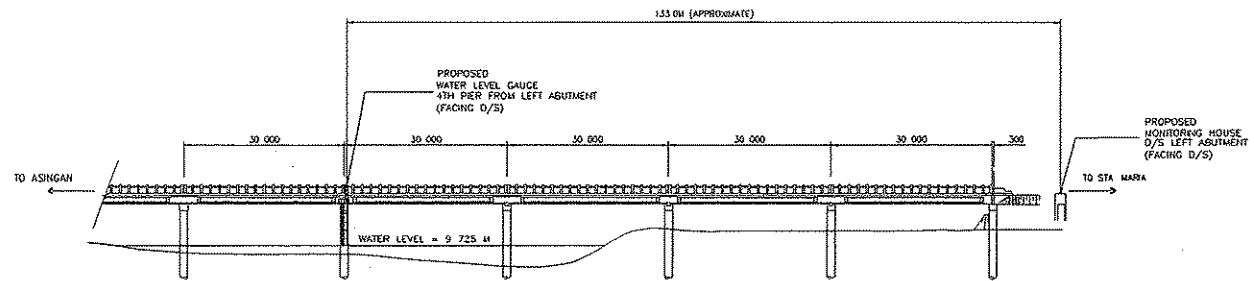
**C-C' SECTION**

SCALE 1:20



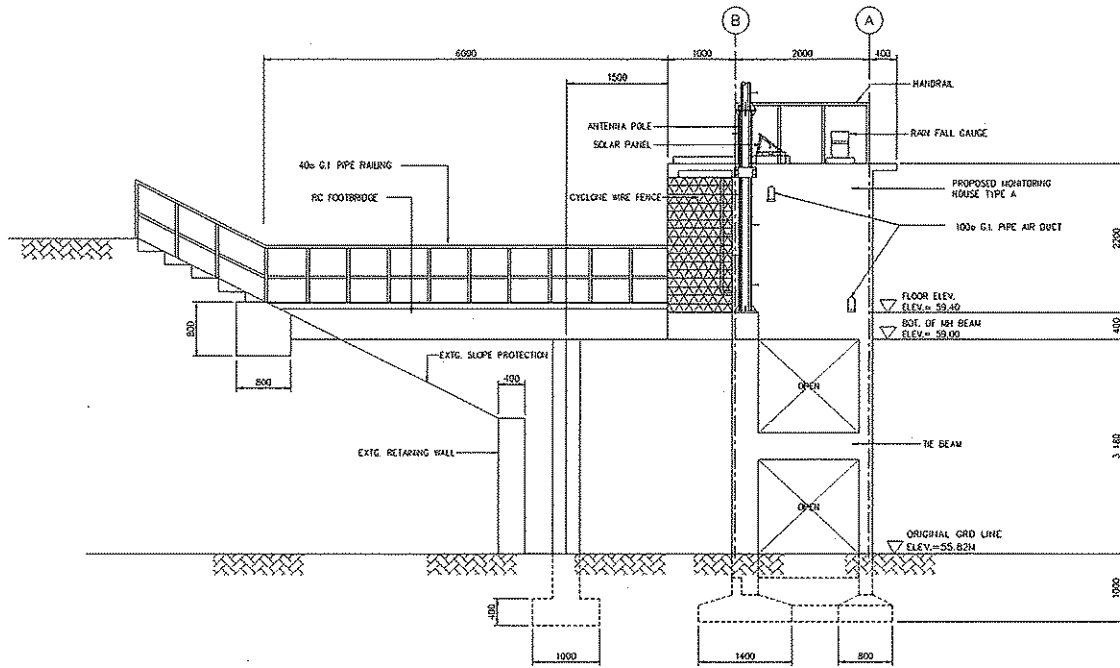
**LAYOUT PLAN**

SCALE 1:500



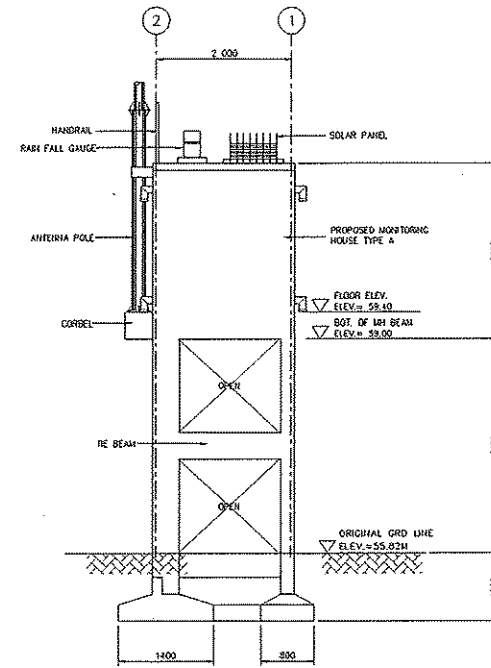
**GENERAL ELEVATION  
(FACING UPSTREAM)**

SCALE 1:500



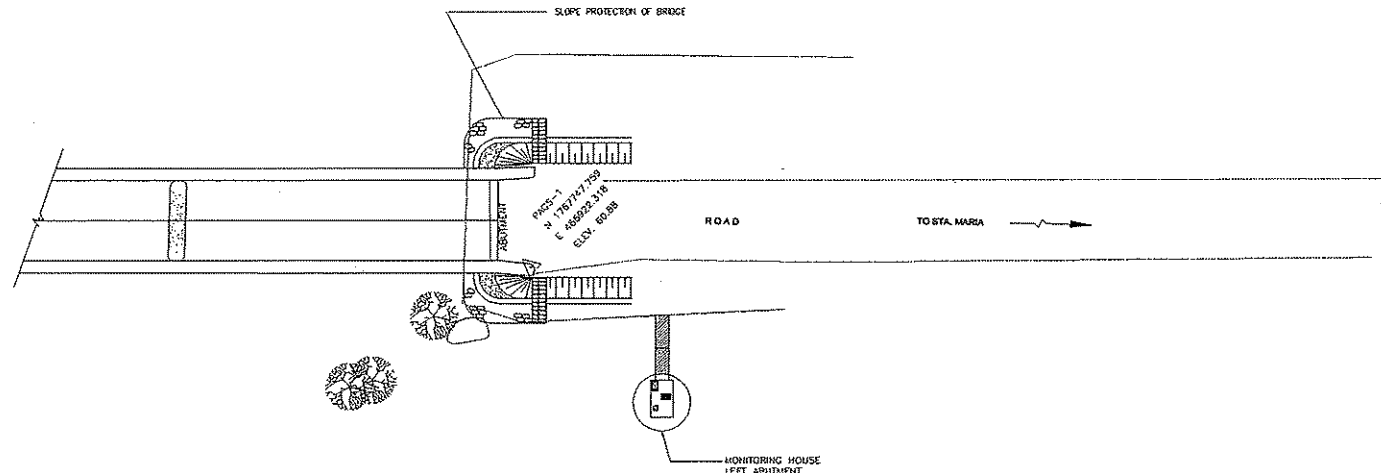
**RIGHT SIDE ELEVATION**

SCALE 1:40



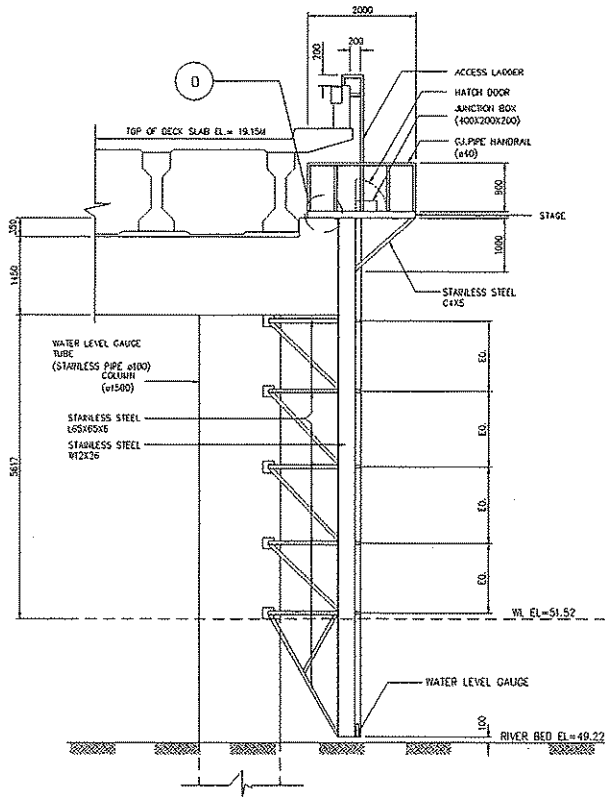
**REAR ELEVATION**

SCALE 1:40



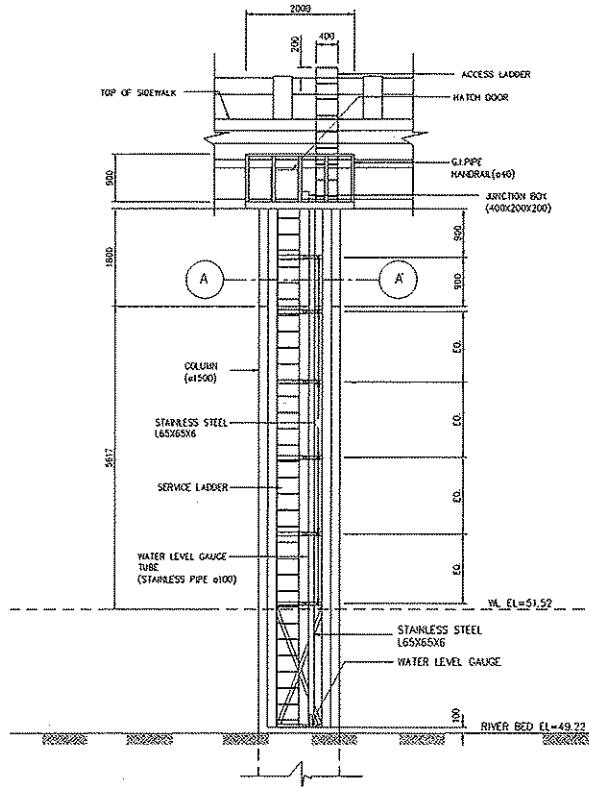
**LAYOUT PLAN**

SCALE 1:250



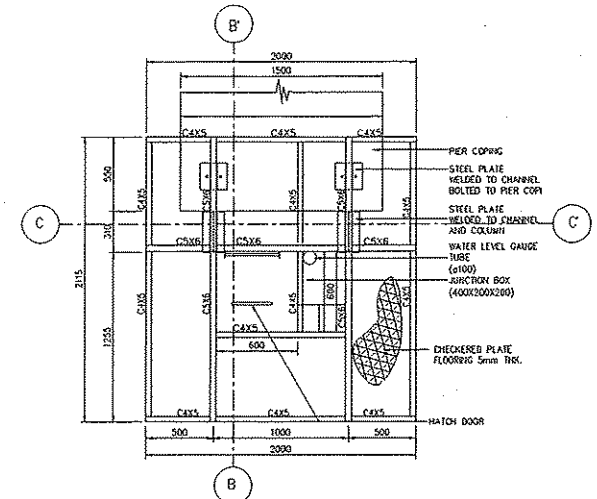
**SIDE ELEVATION**

SCALE 1:50



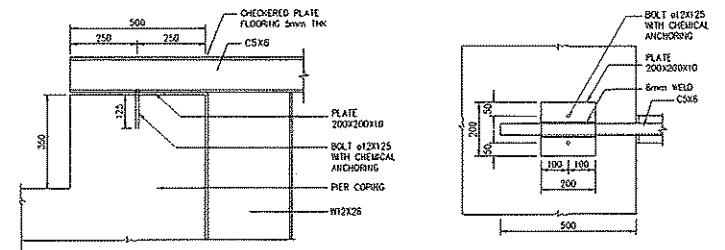
**FRONT ELEVATION**

SCALE 1:50



**FRAMING PLAN AT STAGE**

SCALE 1:20



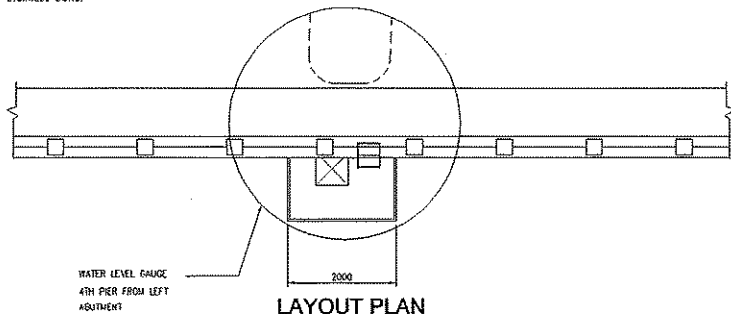
**SIDE ELEVATION**

SCALE 1:10

**PLAN**

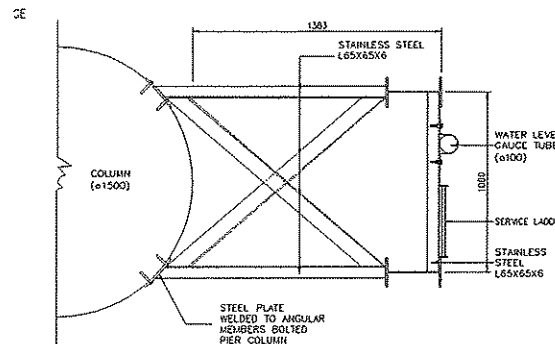
SCALE 1:10

- NOTE :
- Structural steel immersed in water and water level gauge tube shall be of stainless steel excluding the stage and above.
  - Connections between stainless and galvanized steel must be bolted using stainless bolts.



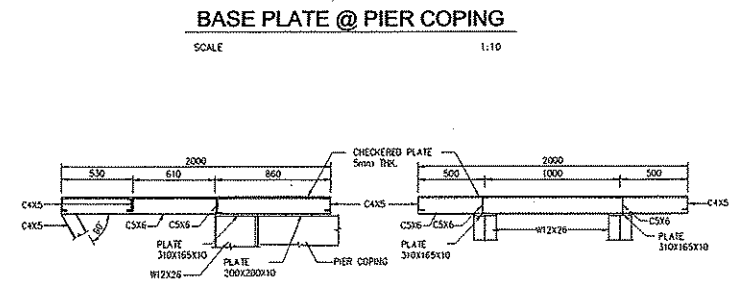
**LAYOUT PLAN**

SCALE 1:50



**A-A' SECTION**

SCALE 1:15

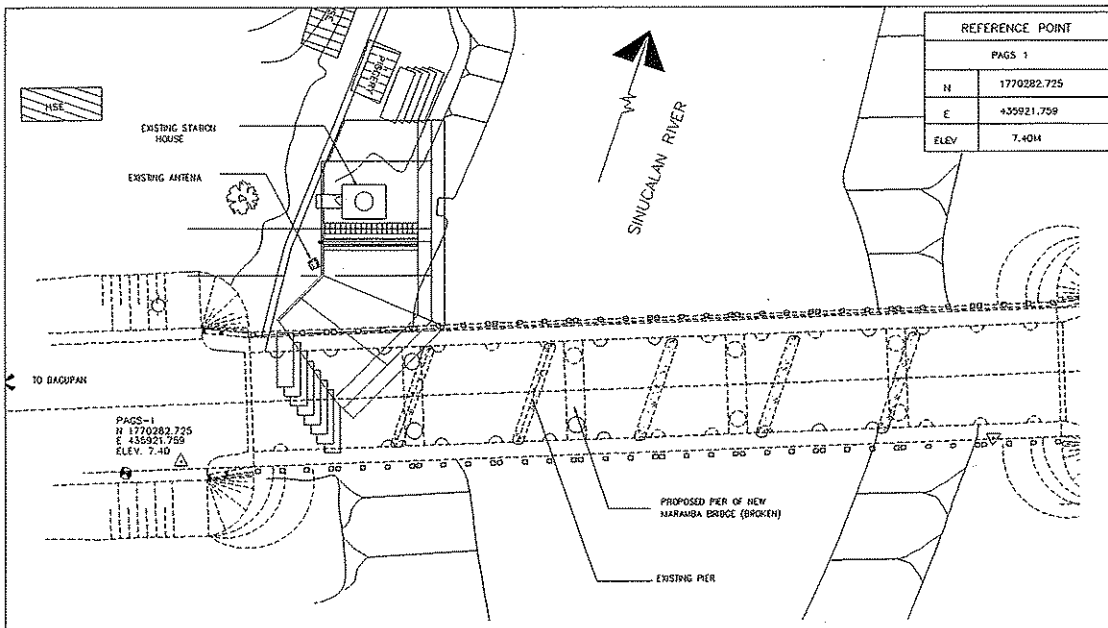


**B-B' SECTION**

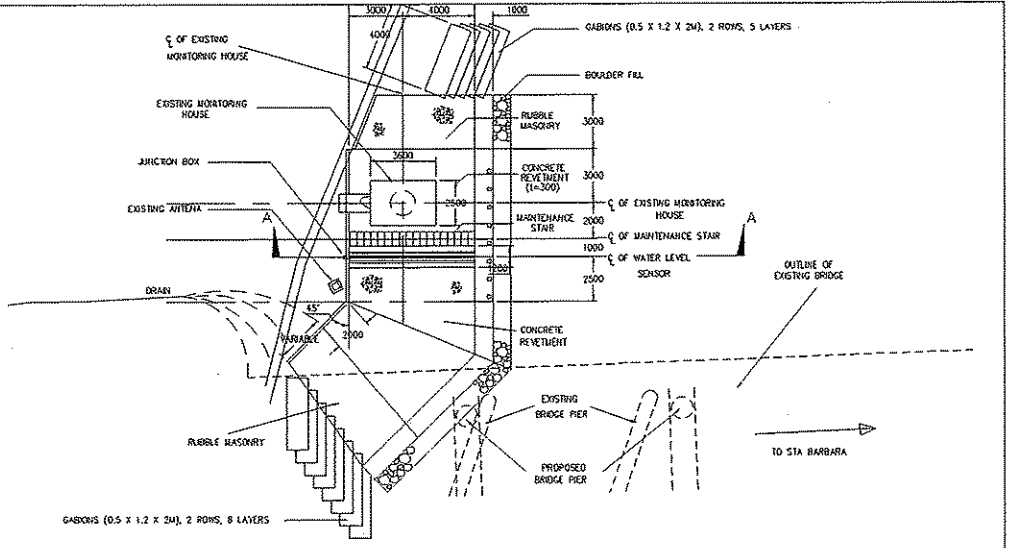
SCALE 1:20

**C-C' SECTION**

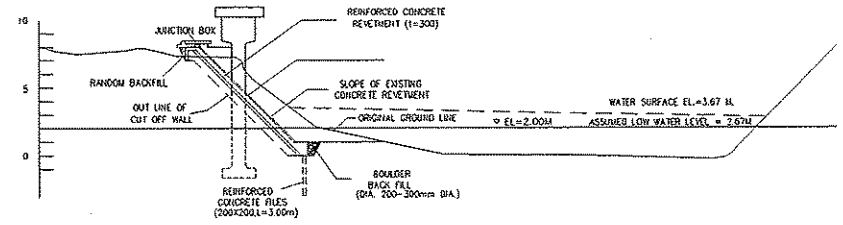
SCALE 1:20



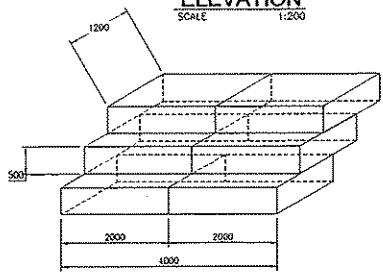
**LAYOUT PLAN**  
SCALE 1:300



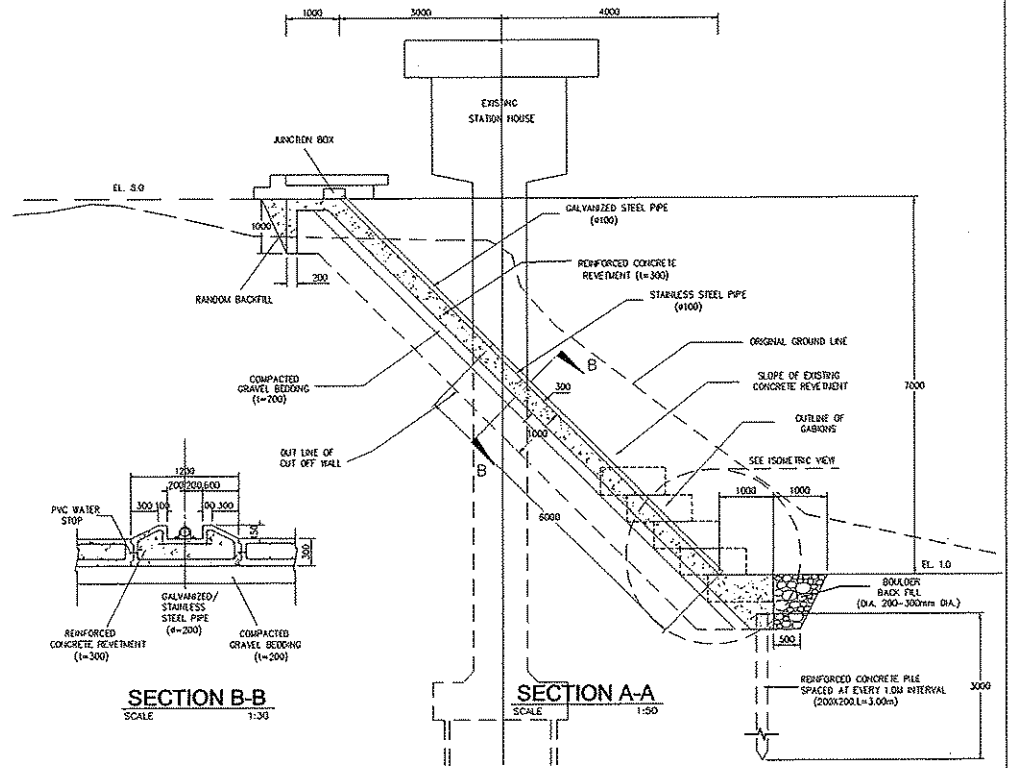
**PLAN OF RIVER PROTECTION**  
SCALE 1:150



**ELEVATION**  
SCALE 1:200



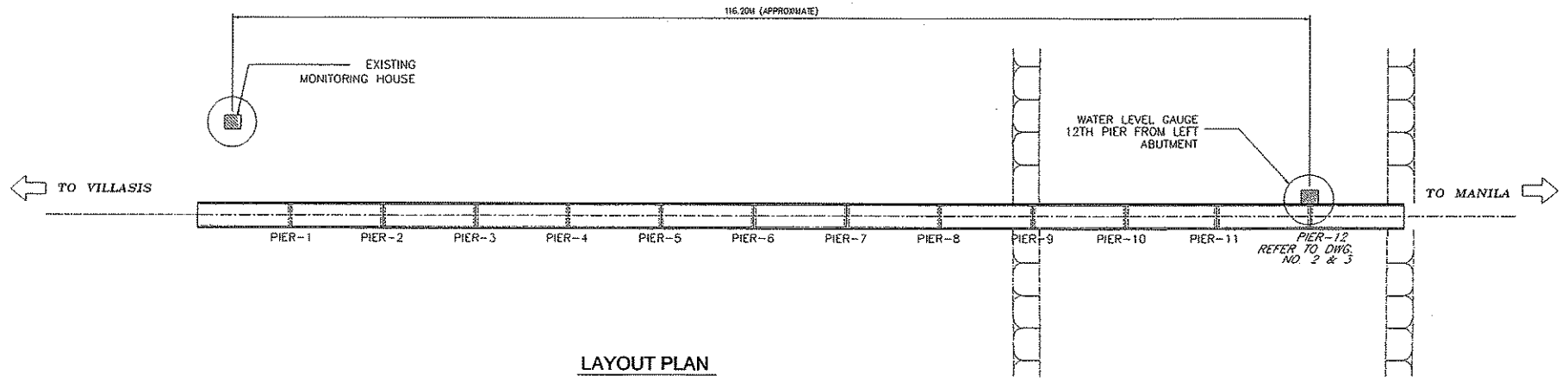
**ISOMETRIC VIEW**  
SCALE 1:50



**SECTION B-B**  
SCALE 1:50

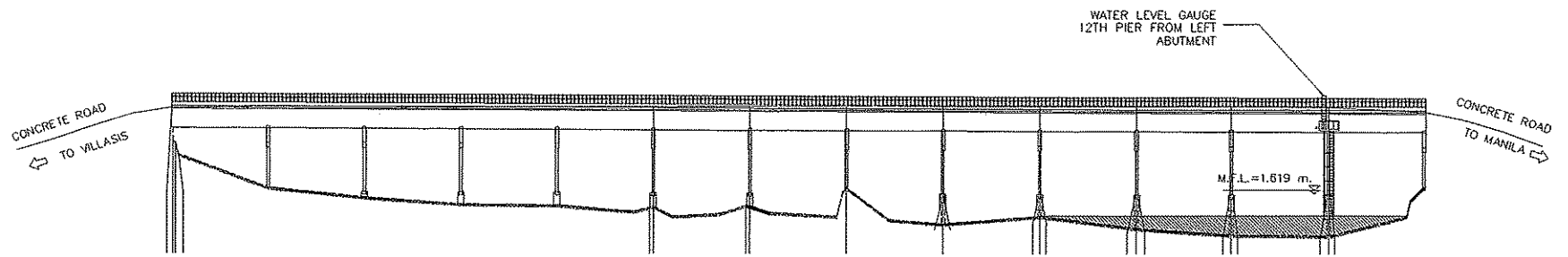
**SECTION A-A**  
SCALE 1:50

<b>PROJECT &amp; LOCATION:</b> UPGRADING OF FLOOD FORECASTING AND WARNING SYSTEM IN THE PAMPANGA AND AGNO RIVER BASINS	<b>SHEET CONTENTS:</b> STA. BARBARA STATION Layout Plan, Elevation, Plan of River Protection and Sections	<b>SET:</b> C-AG-B1	<b>SHT. NO.:</b> 28 45
---------------------------------------------------------------------------------------------------------------------------	-----------------------------------------------------------------------------------------------------------------	------------------------	------------------------------



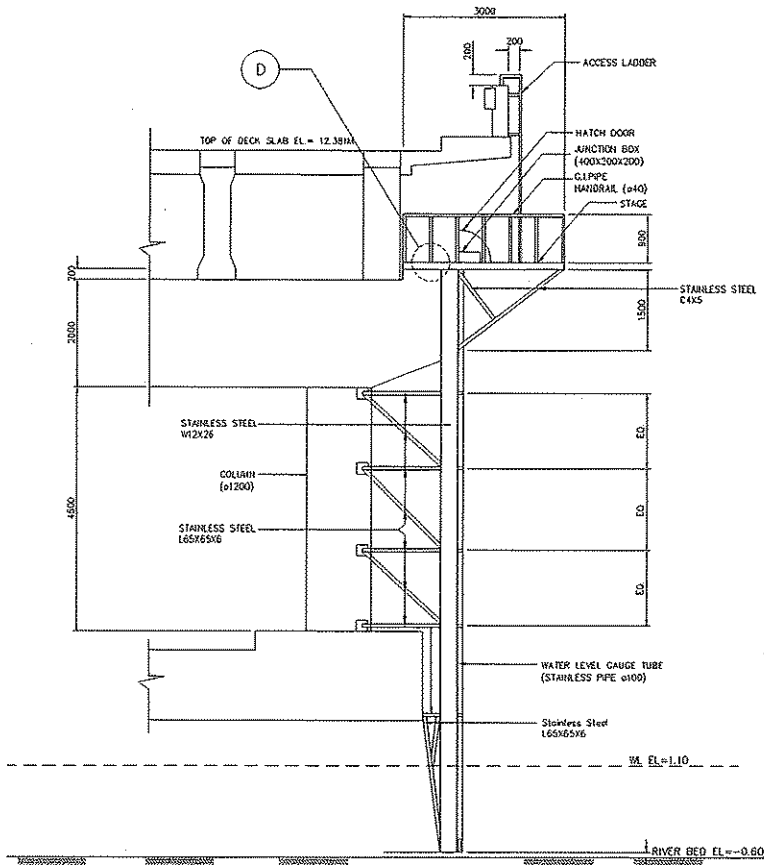
**LAYOUT PLAN**

SCALE 1:250



**GENERAL ELEVATION  
(FACING UPSTREAM)**

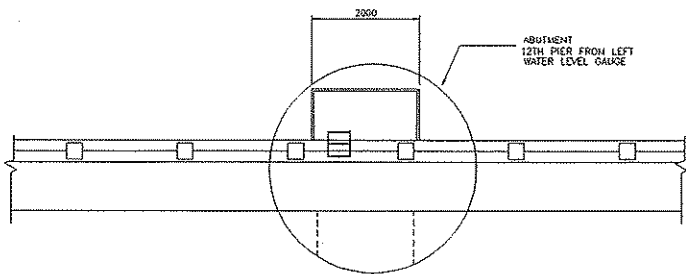
SCALE 1:250



**SIDE ELEVATION**

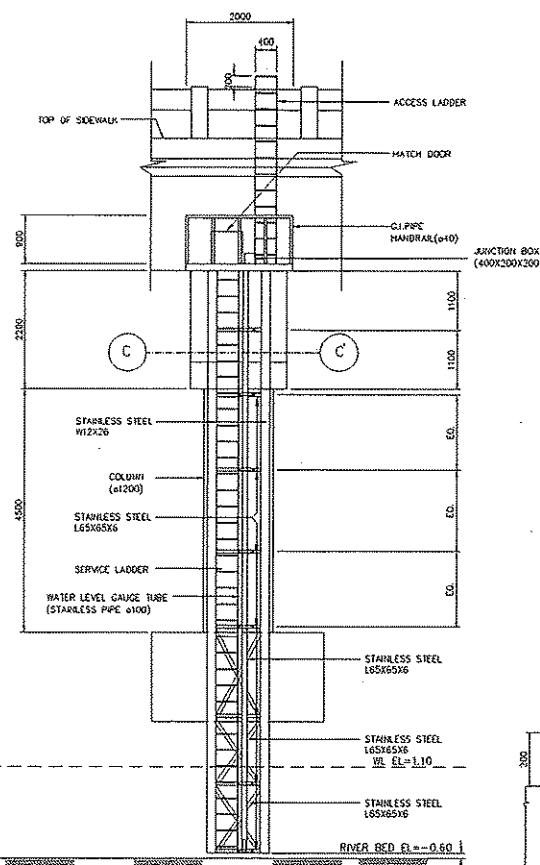
SCALE 1:50

- NOTE :
1. Structural steel immersed in water and water level gauge tube shall be of stainless steel excluding the stage and above.
  2. Connections between stainless and galvanized steel must be bolted using stainless bolts.



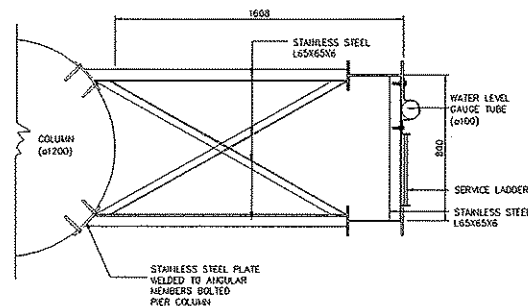
**LAYOUT PLAN**

SCALE 1:50



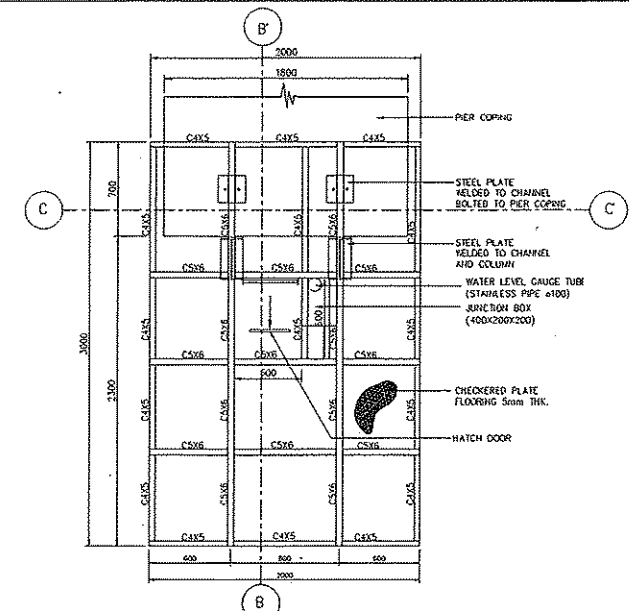
**FRONT ELEVATION**

SCALE 1:50

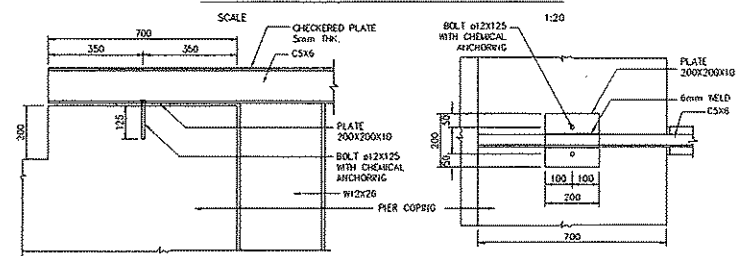


**A-A' SECTION**

SCALE 1:15



**FRAMING PLAN AT STAGE**



**SIDE ELEVATION**

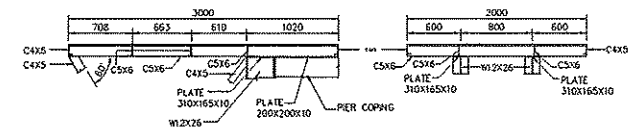
SCALE 1:10

**PLAN**

SCALE 1:10

**BASE PLATE @ PIER COPING**

SCALE 1:10

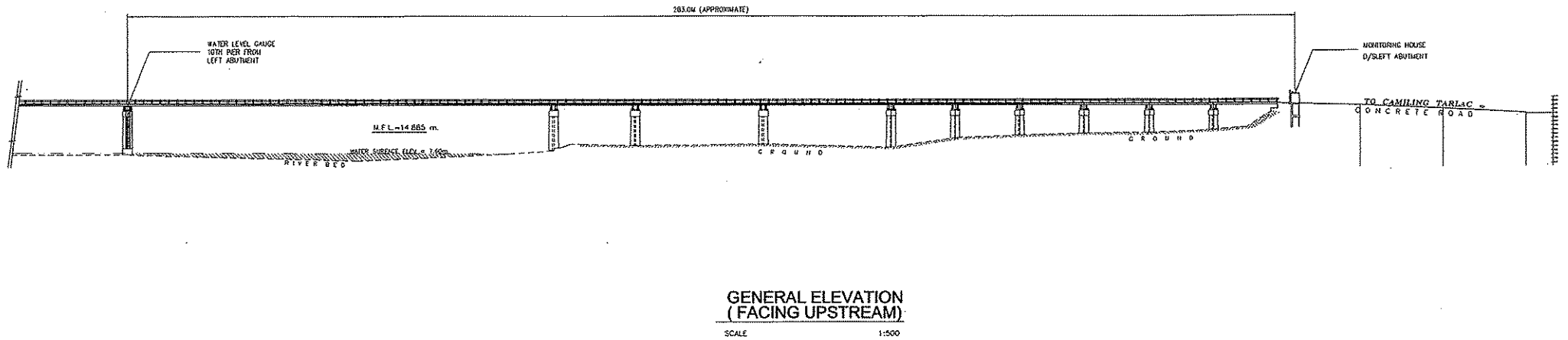
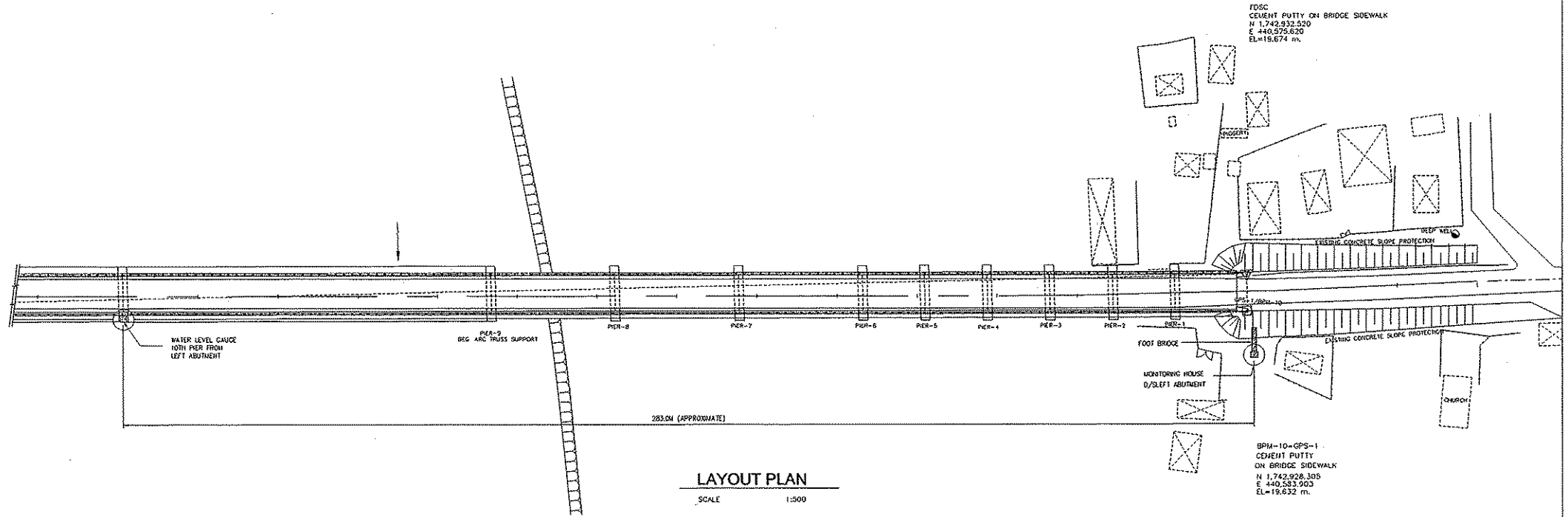


**B-B' SECTION**

SCALE 1:30

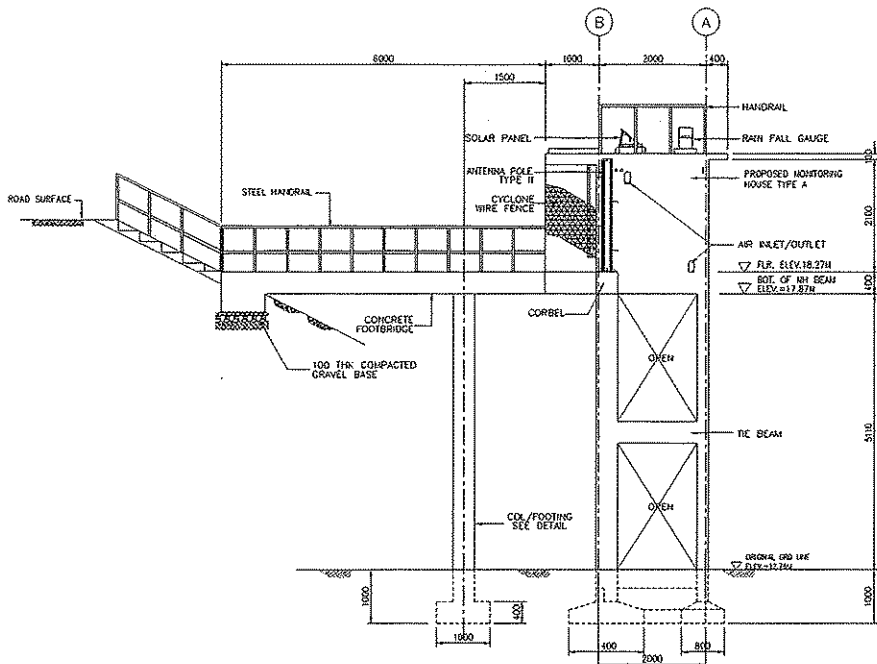
**C-C' SECTION**

SCALE 1:30

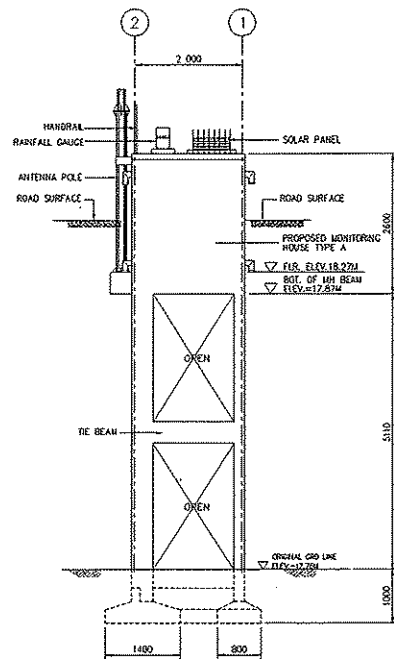


PROJECT & LOCATION:	SHEET CONTENTS	SET	SHT. NO.
UPGRADING OF FLOOD FORECASTING AND WARNING SYSTEM IN THE PAMPANGA AND AGNO RIVER BASINS	WAWA STATION LAYOUT PLAN, GENERAL ELEVATION	C-AG-D1	31 45

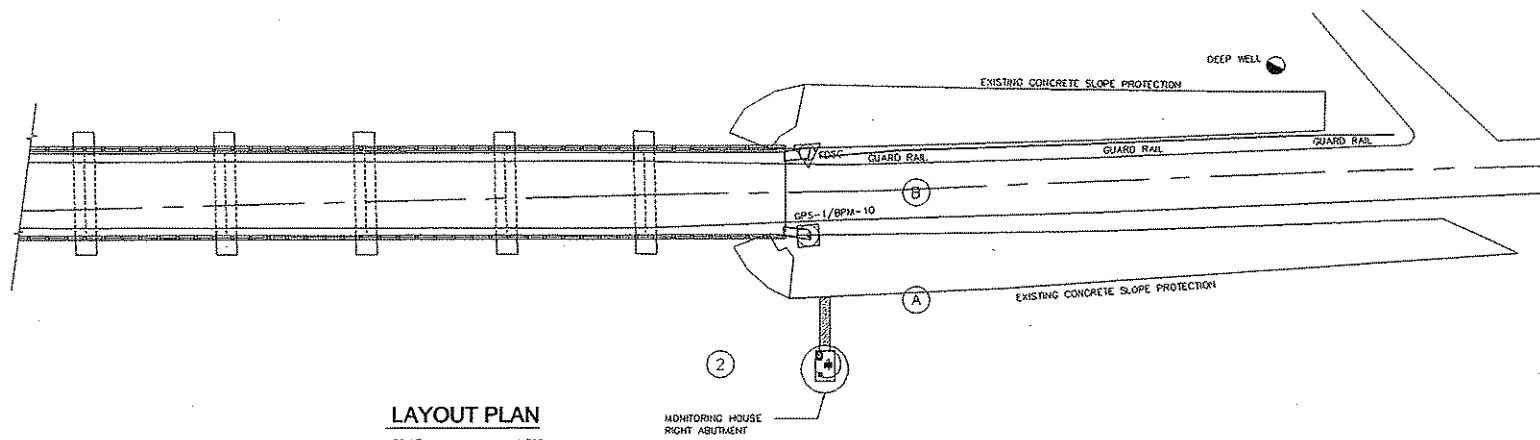




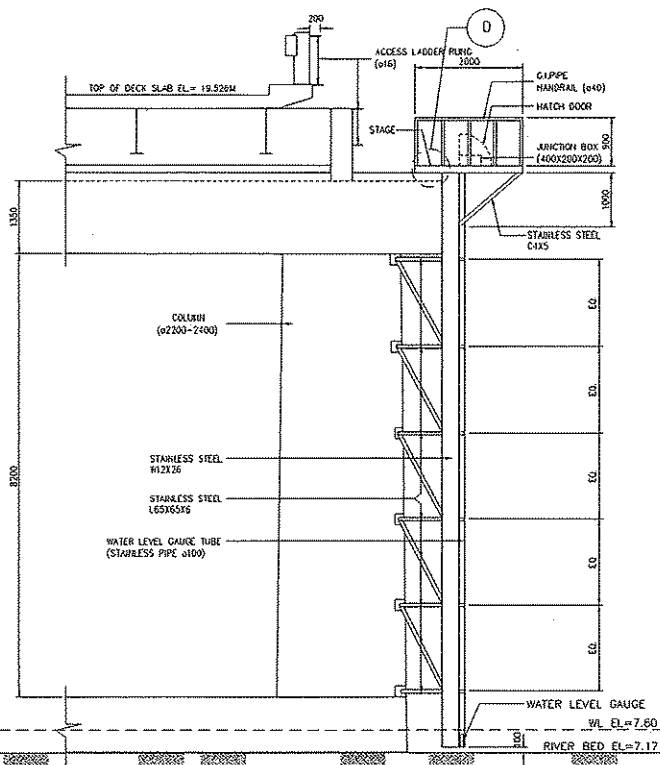
**RIGHT SIDE ELEVATION**  
SCALE 1:50



**REAR ELEVATION**  
SCALE 1:50



**LAYOUT PLAN**  
SCALE 1:300

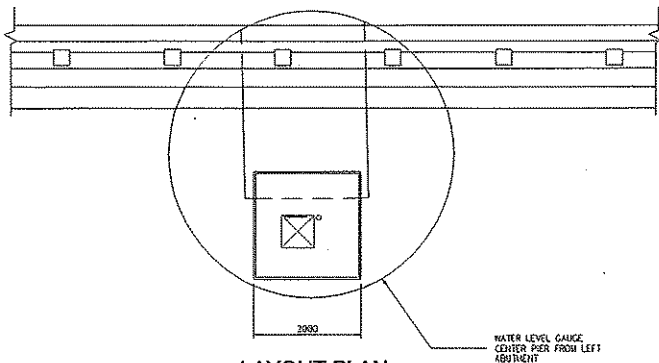


**SIDE ELEVATION**

SCALE 1:50

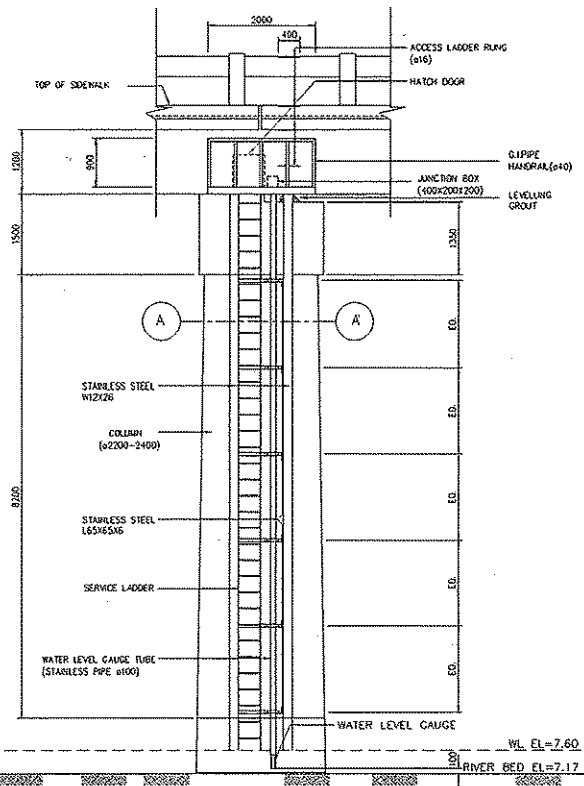
**NOTE :**

1. Structural steel immersed in water and water level gauge tube shall be of stainless steel excluding the slope and above.
2. Connections between stainless and galvanized steel must be bolted using stainless bolts.



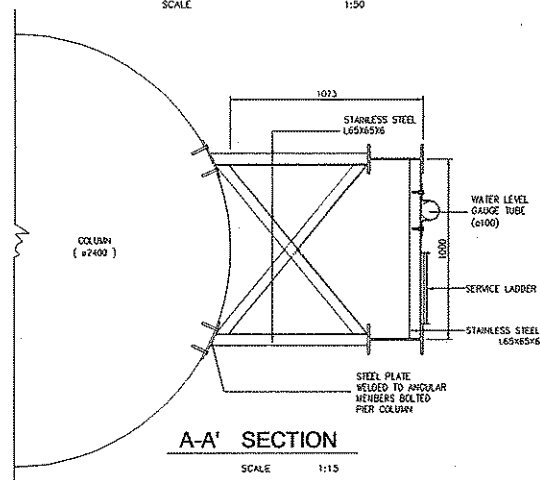
**LAYOUT PLAN**

SCALE 1:50



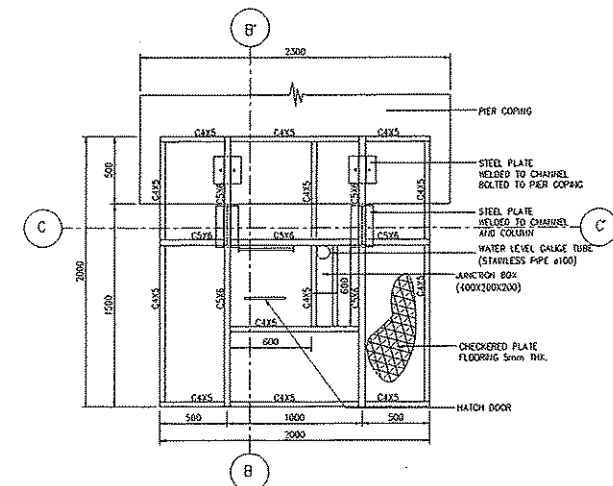
**FRONT ELEVATION**

SCALE 1:50



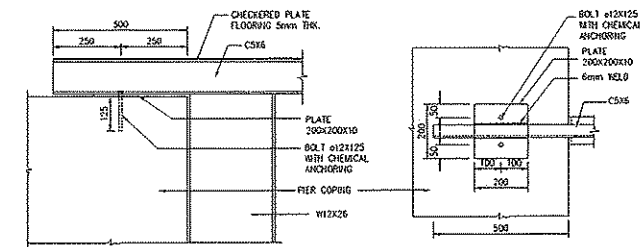
**A-A' SECTION**

SCALE 1:15



**FRAMING PLAN AT STAGE**

SCALE 1:20



**ELEVATION**

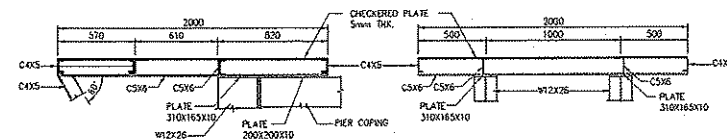
SCALE 1:10

**PLAN**

SCALE 1:10

**D BASE PLATE @ PIER COPING**

SCALE 1:10



**B-B' SECTION**

SCALE 1:20

**C-C' SECTION**

SCALE 1:20



**JAPAN INTERNATIONAL COOPERATION AGENCY**

PROJECT & LOCATION:

UPGRADING OF FLOOD FORECASTING AND WARNING SYSTEM IN THE PAMPANGA AND AGNO RIVER BASINS

SHEET CONTENTS

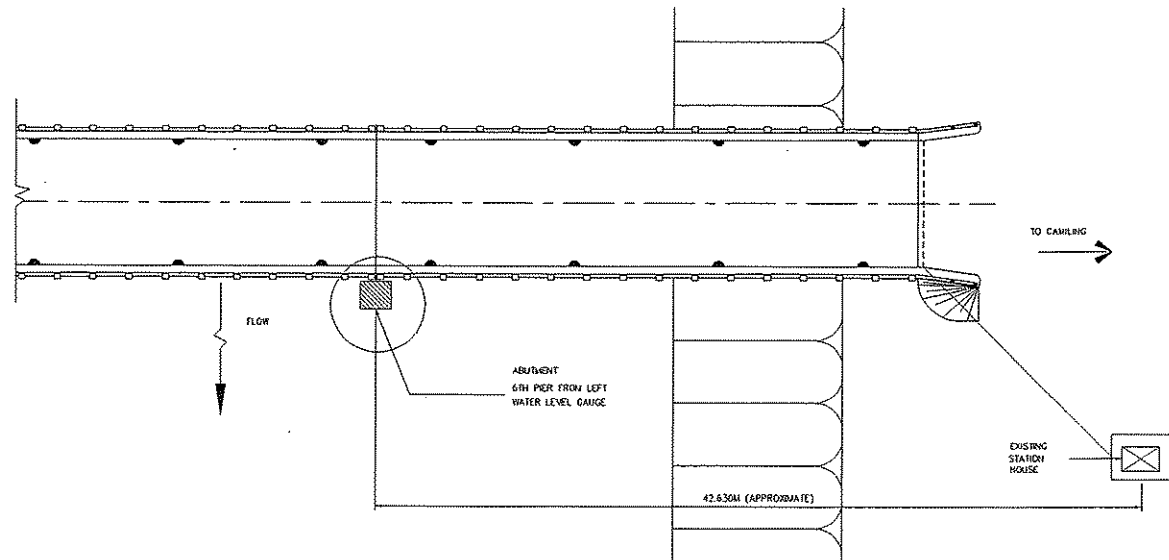
WAWA STATION  
WATER LEVEL GAUGE  
LAYOUT PLAN, ELEVATION DETAILS AND SECTIONS

SET

C-AG-D3

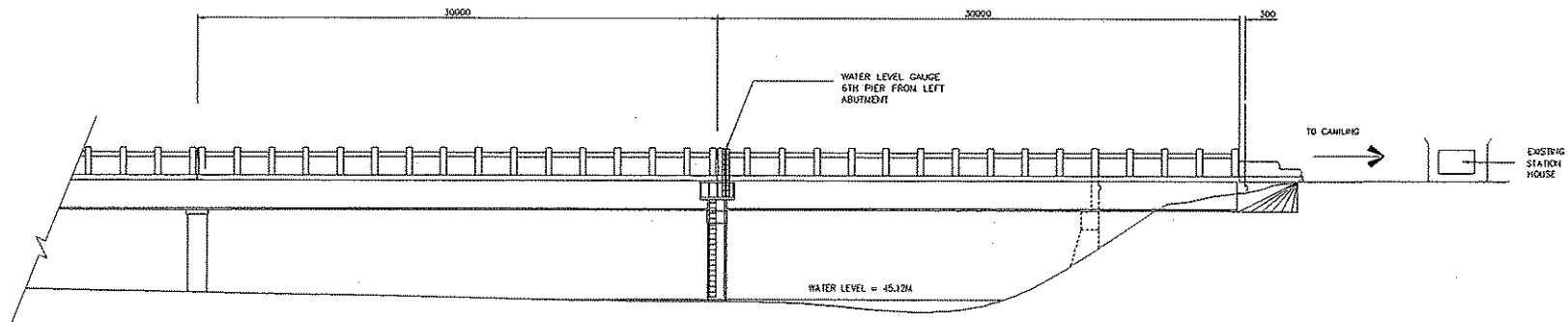
SHT. NO.

33  
45



**LAYOUT PLAN**

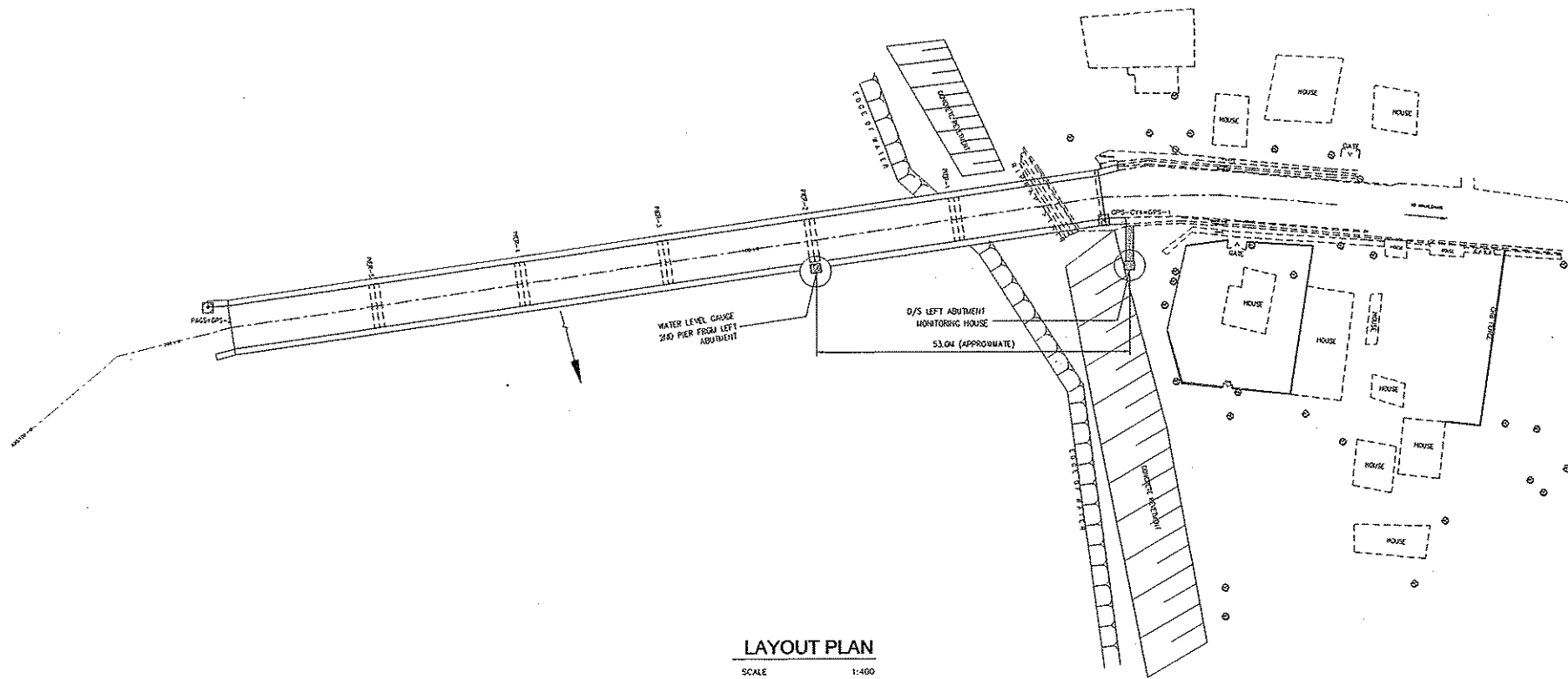
SCALE 1:150



**GENERAL ELEVATION  
( FACING UPSTREAM )**

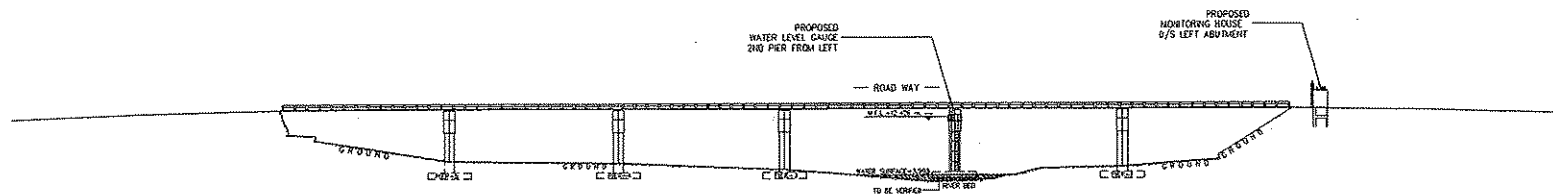
SCALE 1:150





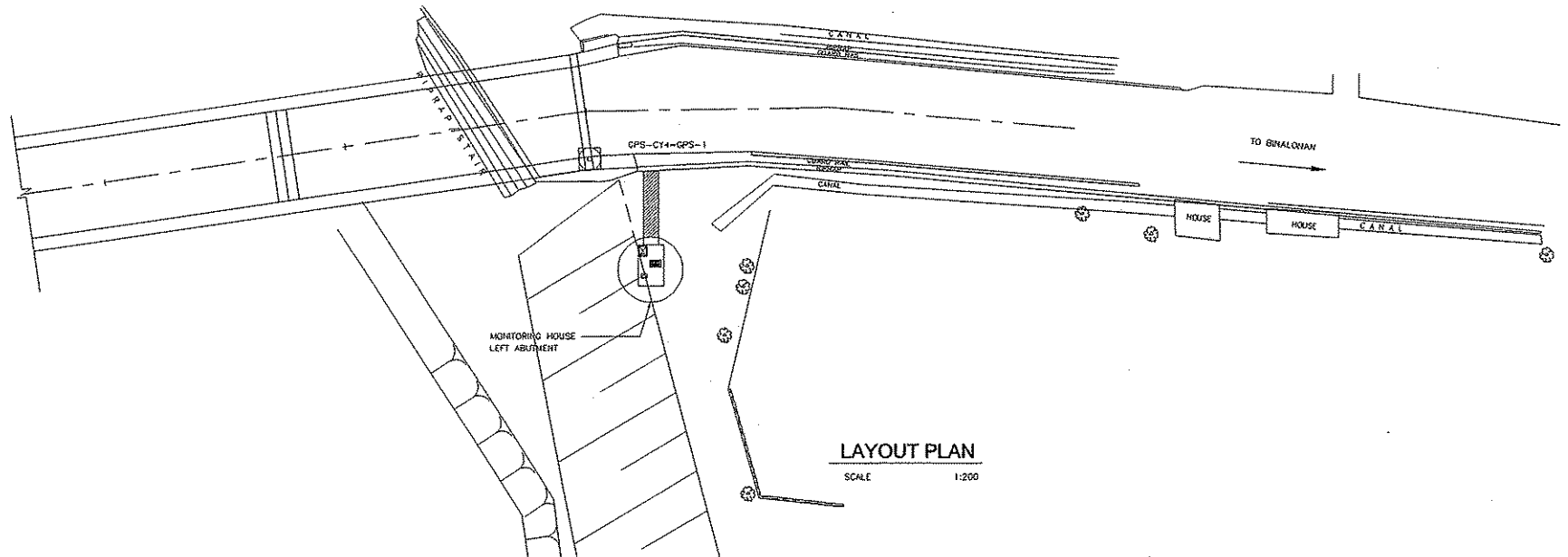
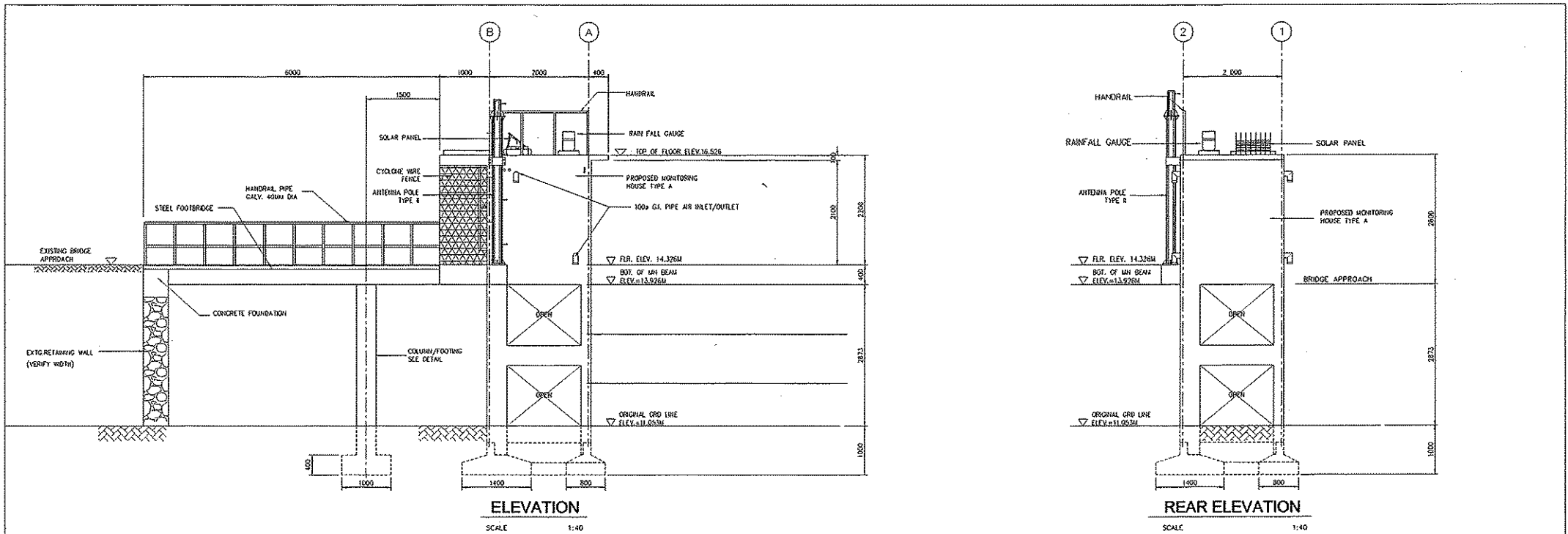
LAYOUT PLAN

SCALE 1:400

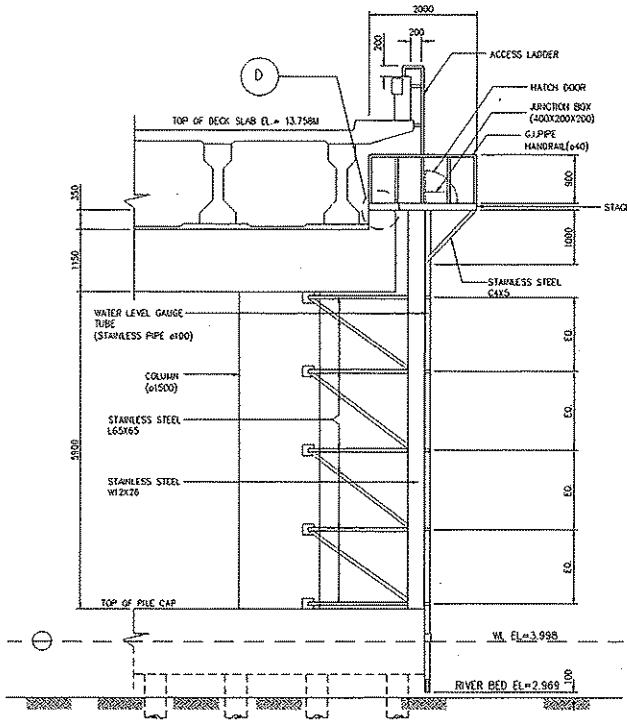


GENERAL ELEVATION  
(FACING UPSTREAM)

SCALE 1:400

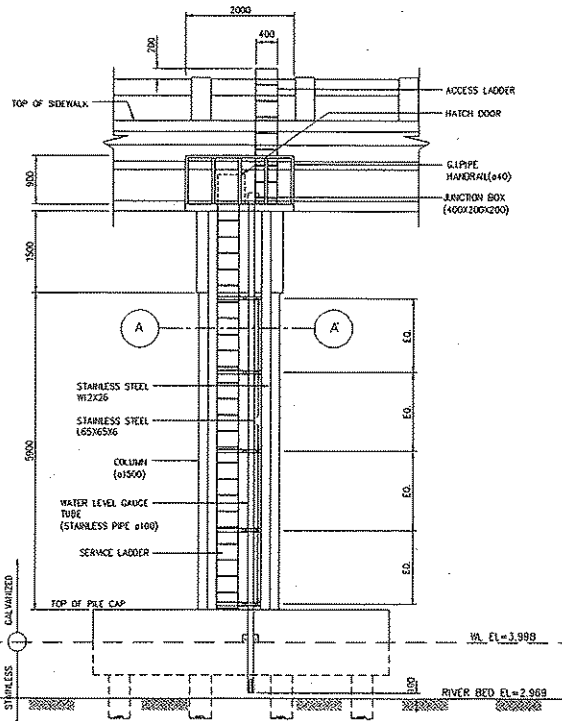


PROJECT & LOCATION:	SHEET CONTENTS	SET	SHT. NO.
UPGRADING OF FLOOD FORECASTING AND WARNING SYSTEM IN THE PAMPANGA AND AGNO RIVER BASINS	MAPANDAN STATION MONITORING HOUSE LAYOUT PLAN, ELEVATION	C-AG-F2	37 / 45



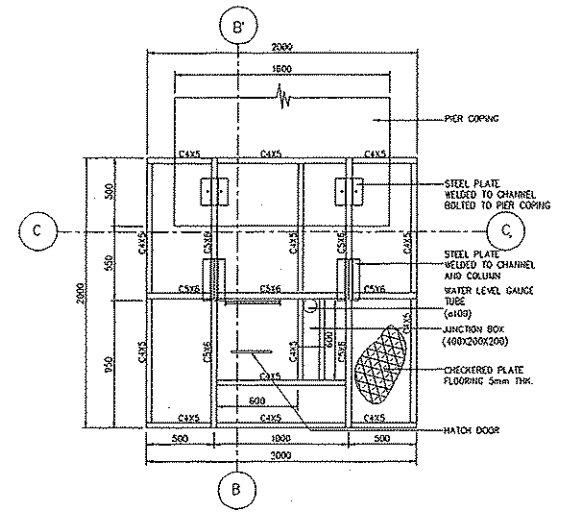
**SIDE ELEVATION**

SCALE 1:50



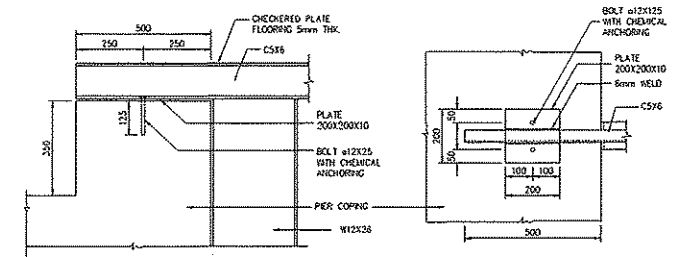
**FRONT ELEVATION**

SCALE 1:50



**FRAMING PLAN AT STAGE**

SCALE 1:20



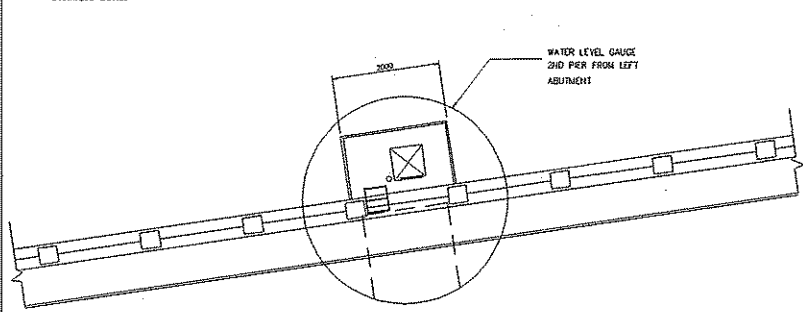
**ELEVATION**

SCALE 1:10

**PLAN**

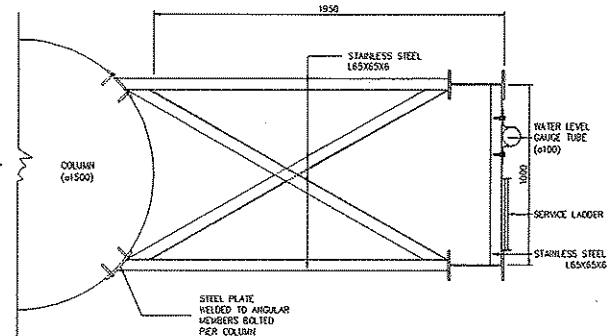
SCALE 1:10

- NOTE :
1. Structural steel immersed in water and water level gauge tube shall be of stainless steel excluding the stage and above.
  2. Connections between stainless and galvanized steel must be bolted using stainless bolts.



**LAYOUT PLAN**

SCALE 1:50

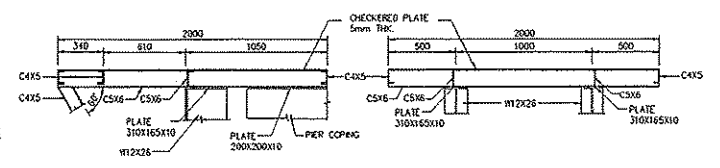


**A-A' SECTION**

SCALE 1:15

**D BASE PLATE @ PIER COPING**

SCALE 1:10

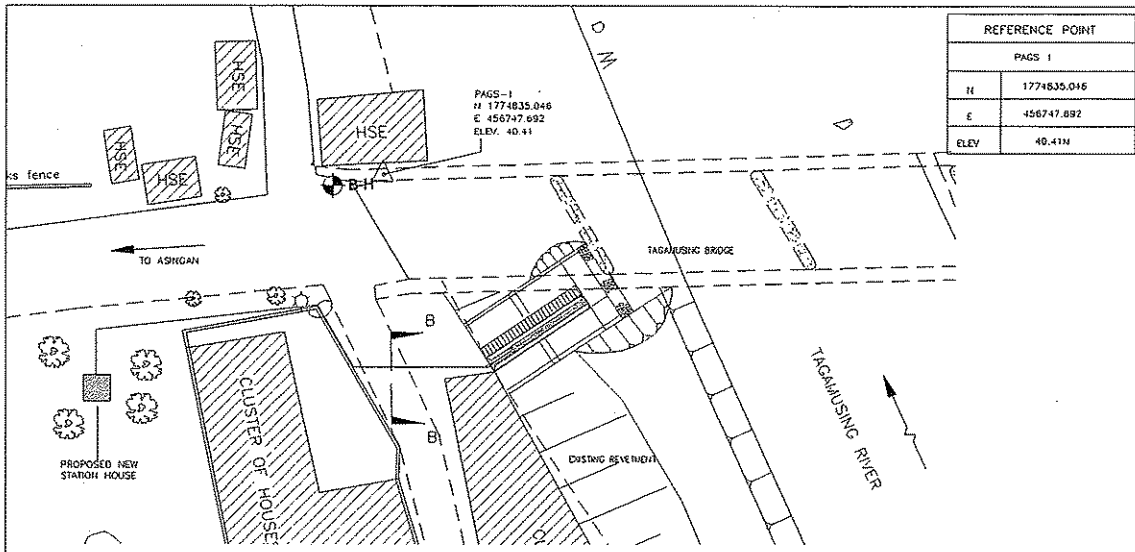


**B-B' SECTION**

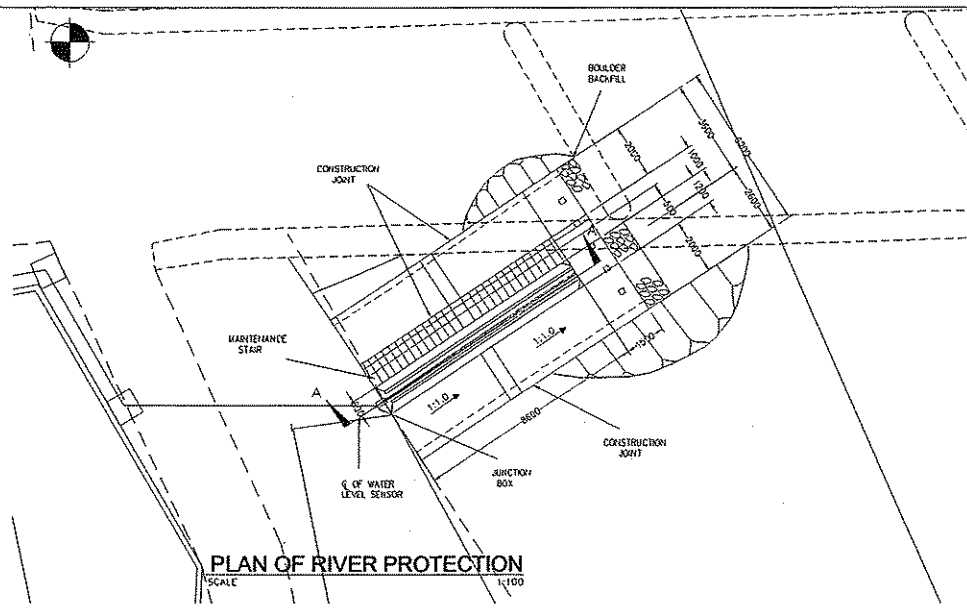
SCALE 1:20

**C-C' SECTION**

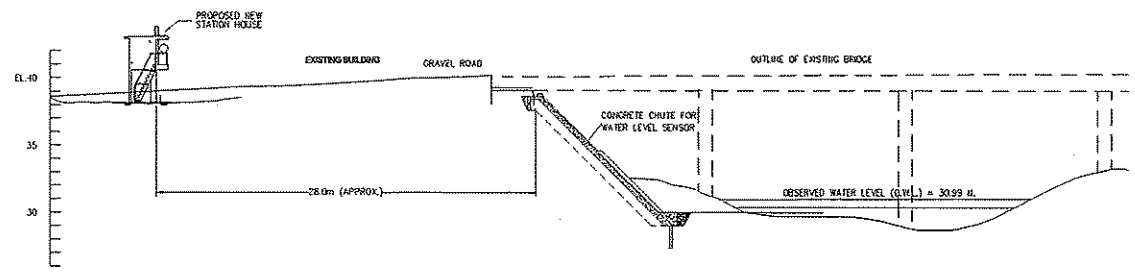
SCALE 1:20



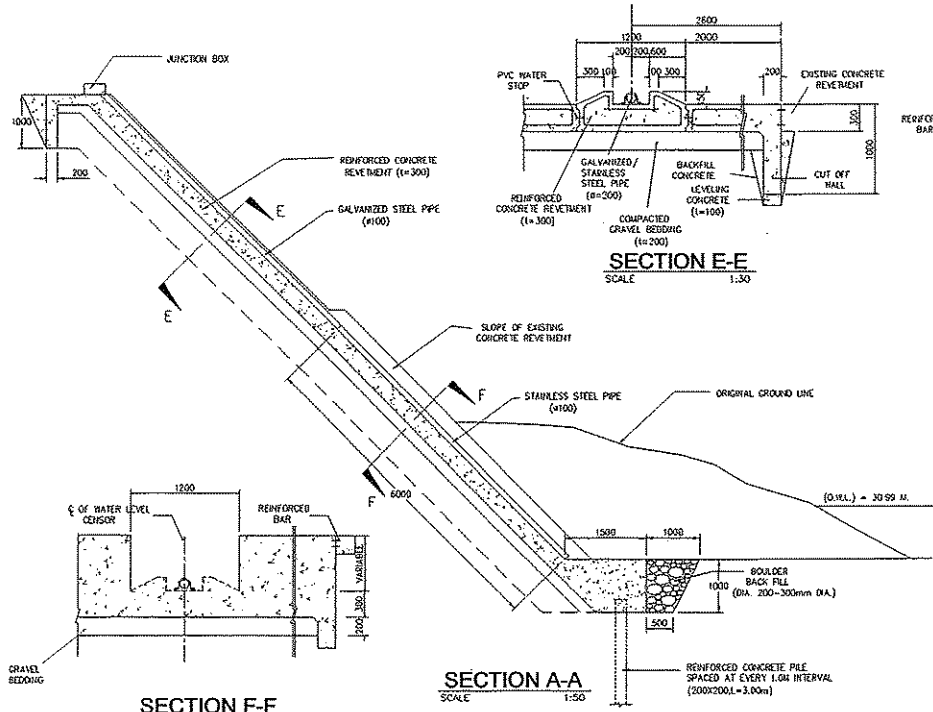
**LAYOUT PLAN**  
SCALE 1:200



**PLAN OF RIVER PROTECTION**  
SCALE 1:100

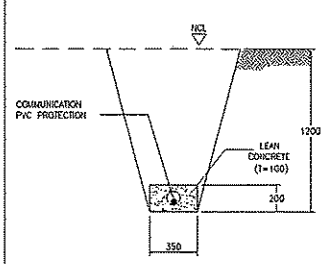


**ELEVATION**  
SCALE 1:200

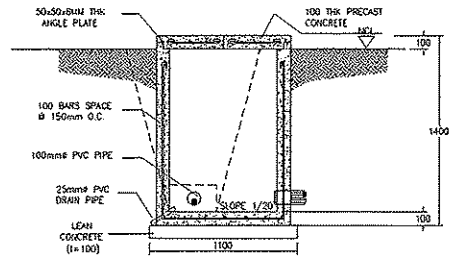


**SECTION E-E**  
SCALE 1:30

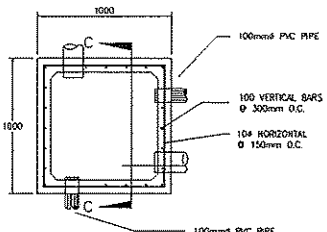
**SECTION A-A**  
SCALE 1:50



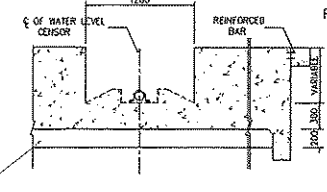
**SECTION B-B**  
SCALE 1:20



**SECTION C-C**  
SCALE 1:20

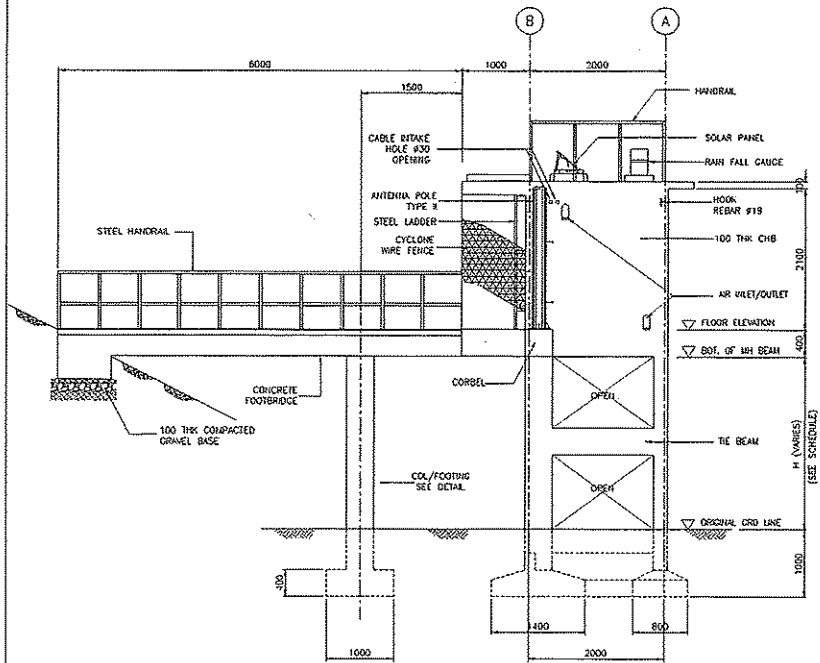


**MANHOLE PLAN**  
SCALE 1:20

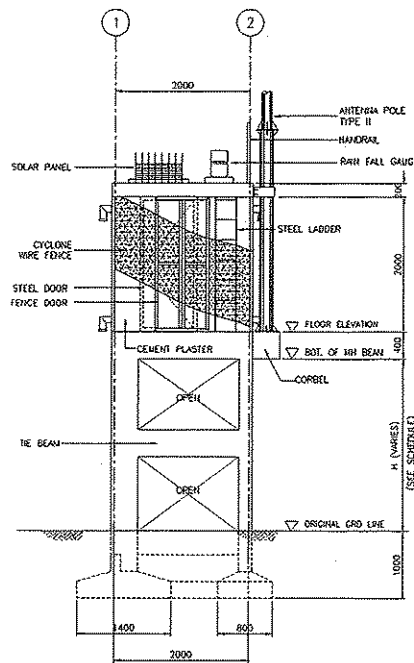


**SECTION F-F**  
SCALE 1:30

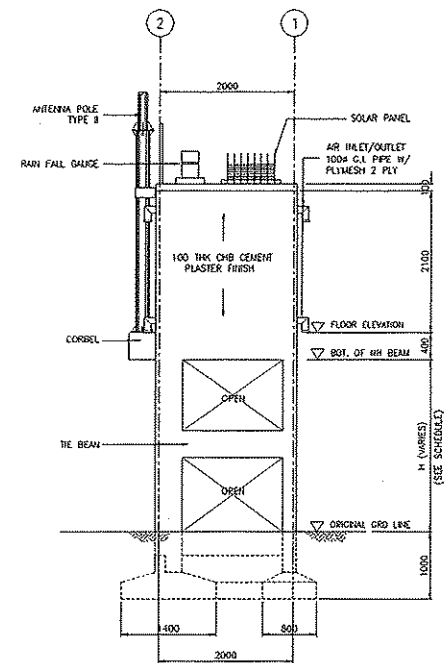




**1 RIGHT ELEVATION**  
SCALE 1:40

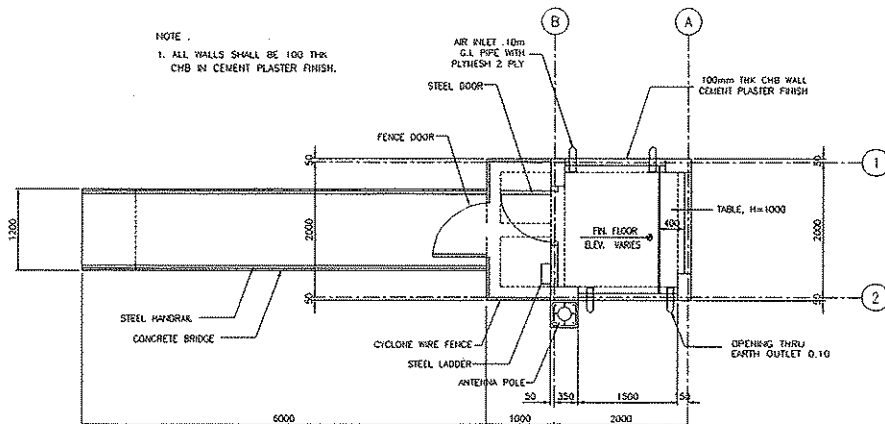


**2 FRONT ELEVATION**  
SCALE 1:40

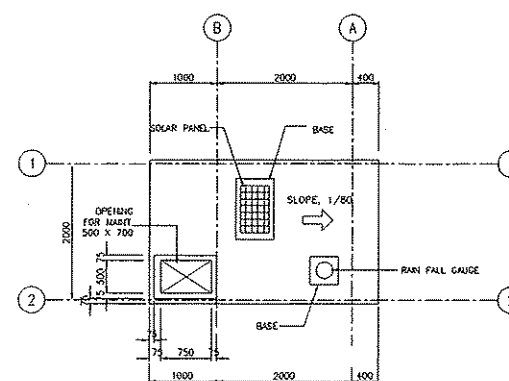


**3 REAR ELEVATION**  
SCALE 1:40

NOTE  
1. ALL WALLS SHALL BE 100 THK CHB IN CEMENT PLASTER FINISH.



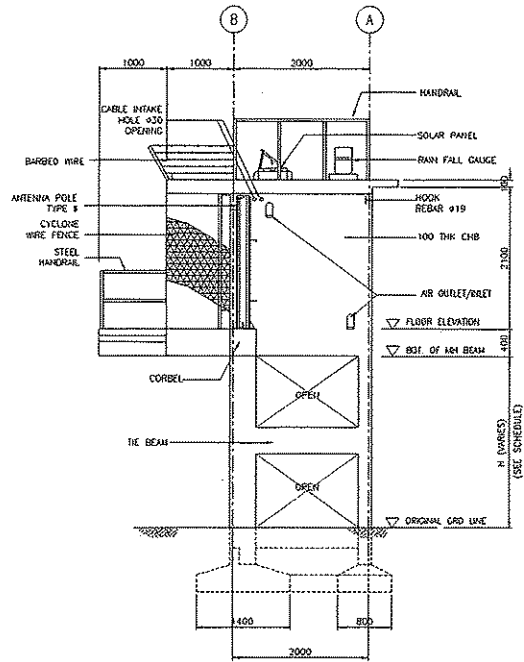
**4 FLOOR PLAN**  
SCALE 1:40



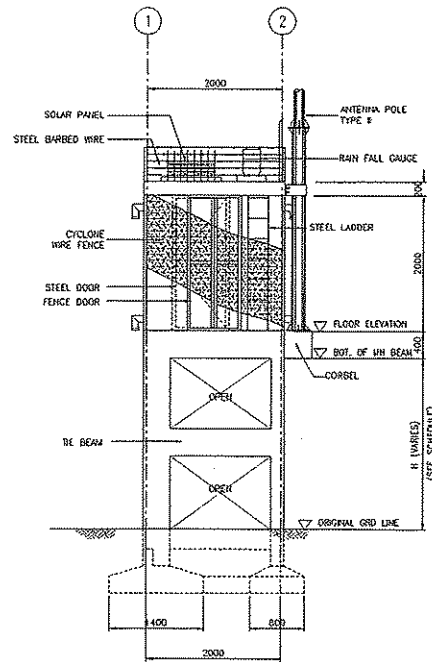
**5 ROOF PLAN**  
SCALE 1:40

TYPE A SCHEDULE OF SUPPORT

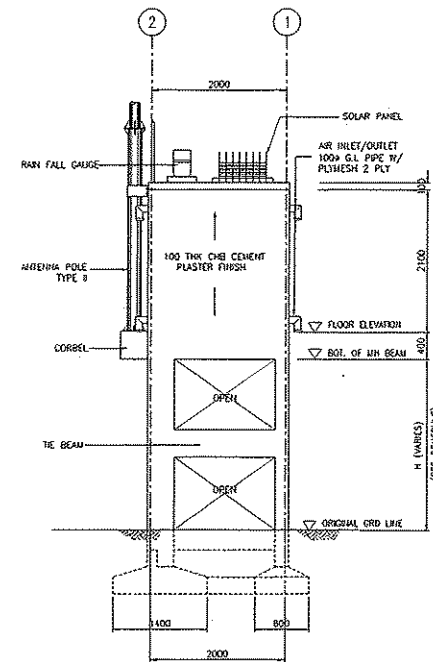
MONITORING STATION	W/R OR R	HEIGHT OF SUPPORT (mm)
ARAYAT	W/R	3790
MCHIG	W/R	3370
SANTA MARIA	W/R	3160
YAWA	W/R	5110
MAPANDAN	W/R	2673



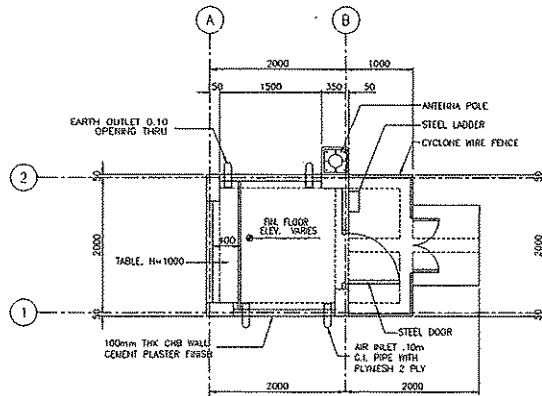
1 RIGHT SIDE ELEVATION  
SCALE 1:40



2 FRONT ELEVATION  
SCALE 1:40

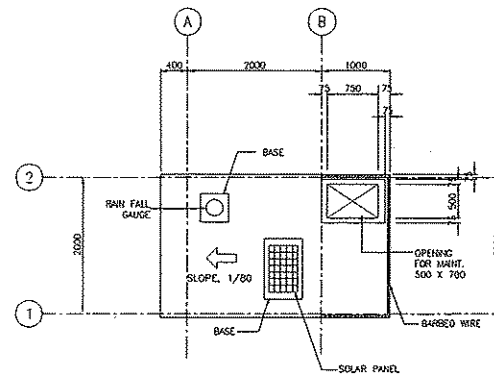


1 REAR ELEVATION  
SCALE 1:40



4 FLOOR PLAN  
SCALE 1:40

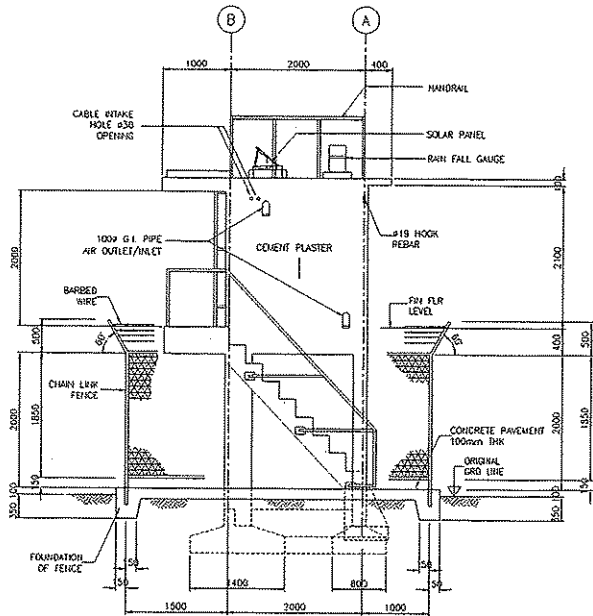
NOTE :  
1. ALL WALLS SHALL BE 100 THK CHB IN CEMENT PLASTER FINISH.



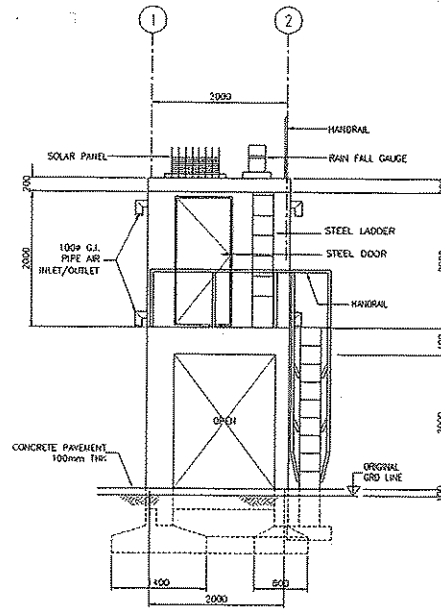
5 ROOF PLAN  
SCALE 1:40

TYPE B SCHEDULE OF SUPPORT

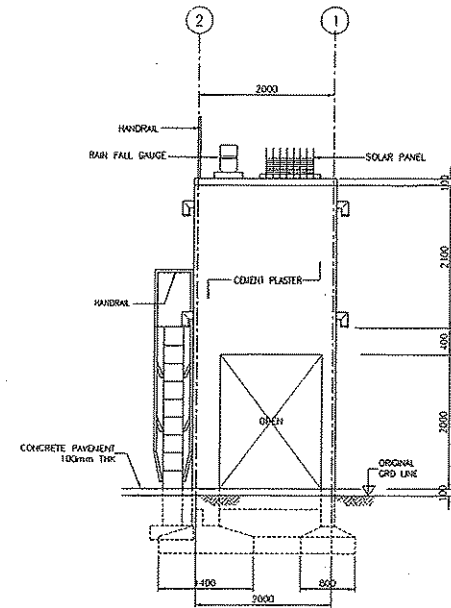
MONITORING STATION	W/R OR R	HEIGHT OF SUPPORT (mm)
ZARAGZA	W/R	4500
PEWARANDA	W/R	4800



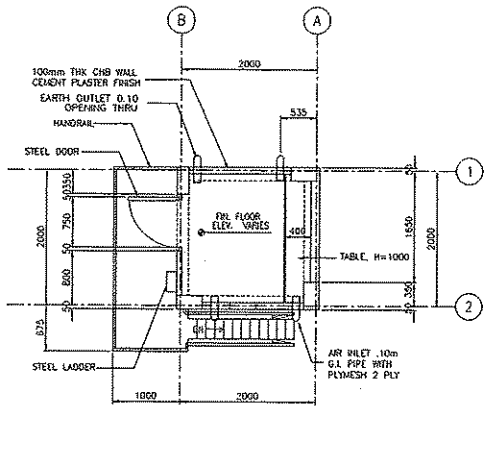
1 RIGHT ELEVATION  
SCALE 1:40



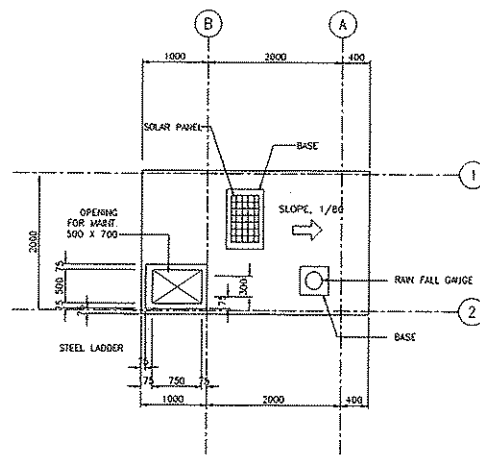
2 FRONT ELEVATION  
SCALE 1:40



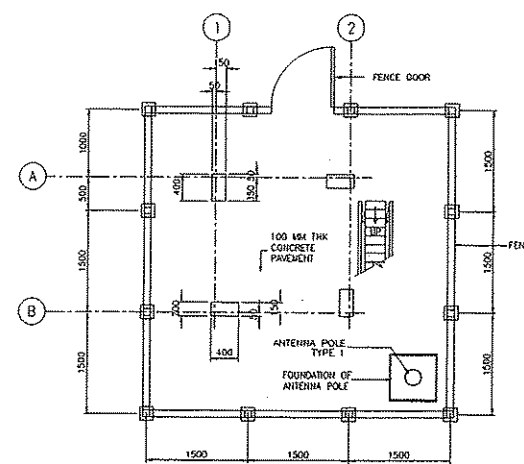
3 REAR ELEVATION  
SCALE 1:40



4 FLOOR PLAN  
SCALE 1:40



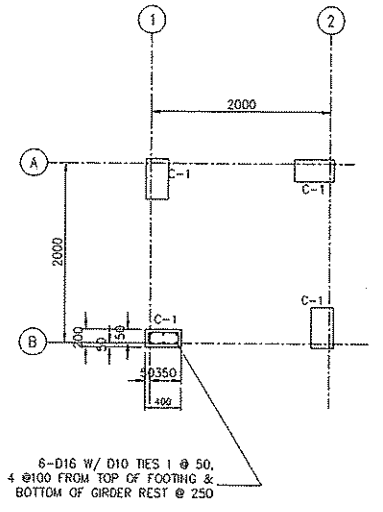
5 ROOF PLAN  
SCALE 1:40



6 LAYOUT PLAN  
SCALE 1:40

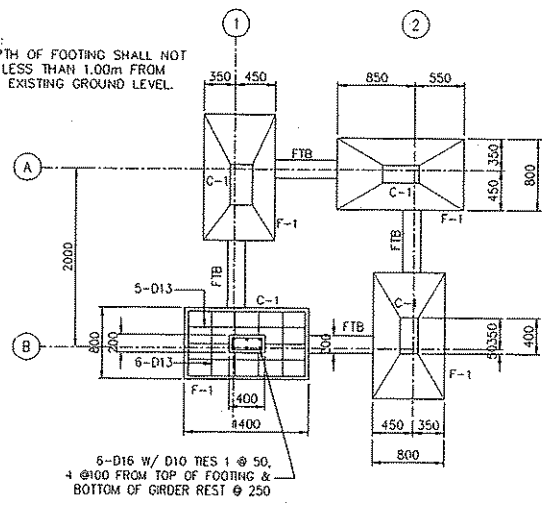
TYPE C SCHEDULE OF SUPPORT

MONITORING STATION	W/R OR R	HEIGHT OF SUPPORT (mm)
SAH ISIBRO	W/R	2000
KALANGOH	R	2000
PALALI	R	2000
PORAC	R	2000
BIHALOHAY	W/R	3000
MAASHI	R	2000
BURGOS	R	2000

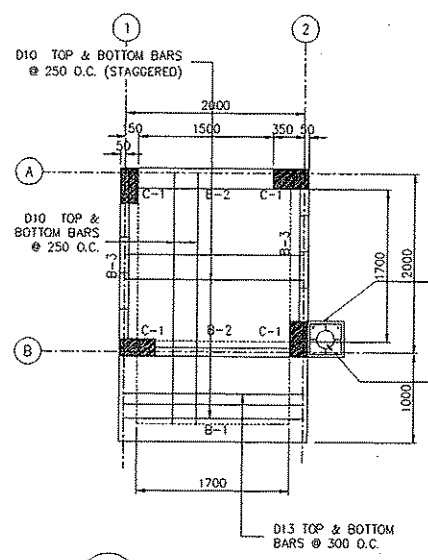


6-D16 W/ D10 TIES 1 @ 50,  
4 @100 FROM TOP OF FOOTING &  
BOTTOM OF GIRDER REST @ 250

NOTE:  
1. DEPTH OF FOOTING SHALL NOT  
BE LESS THAN 1.00m FROM  
THE EXISTING GROUND LEVEL.



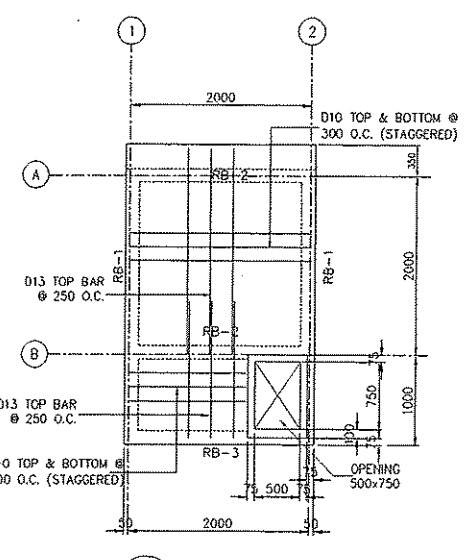
6-D16 W/ D10 TIES 1 @ 50,  
4 @100 FROM TOP OF FOOTING &  
BOTTOM OF GIRDER REST @ 250



D10 TOP & BOTTOM BARS  
@ 250 O.C. (STAGGERED)

D10 TOP & BOTTOM BARS  
@ 250 O.C.

D13 TOP & BOTTOM  
BARS @ 300 O.C.



D10 TOP & BOTTOM @  
300 O.C. (STAGGERED)

D13 TOP BAR  
@ 250 O.C.

D13 TOP BAR  
@ 250 O.C.

D10 TOP & BOTTOM @  
300 O.C. (STAGGERED)

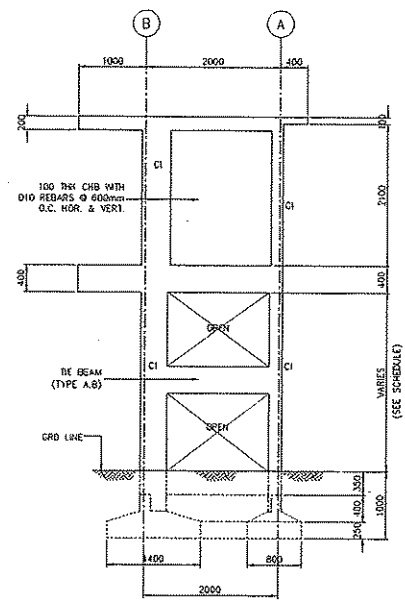
OPENING  
500x750

1 GROUND FLOOR PLAN AND C-1  
SCALE 1:30

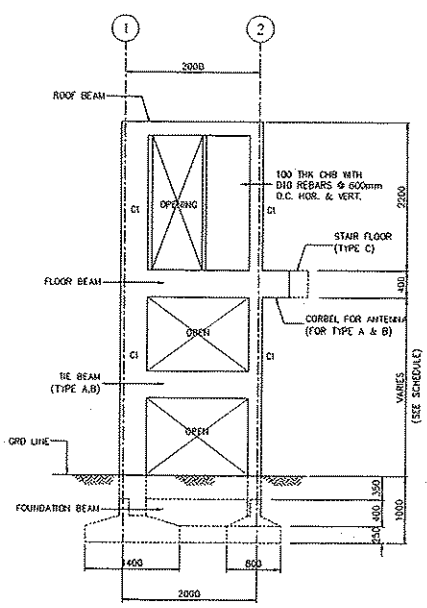
2 FOUNDATION PLAN  
SCALE 1:30

3 FLOOR FRAMING PLAN  
SCALE 1:30

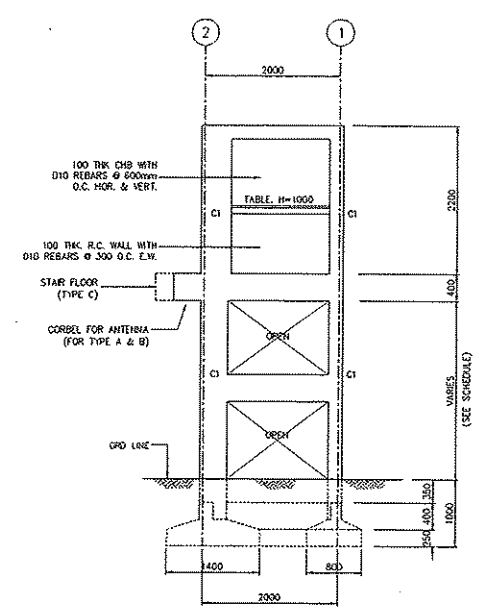
4 ROOF FRAMING PLAN  
SCALE 1:30



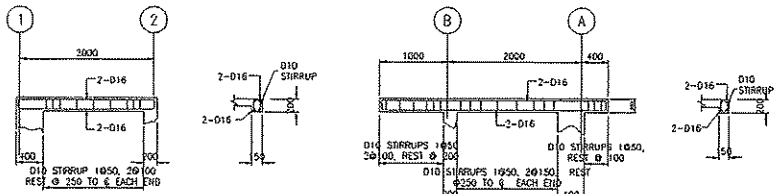
5 RIGHT ELEVATION  
SCALE 1:40



6 FRONT ELEVATION  
SCALE 1:40



7 REAR ELEVATION  
SCALE 1:40



ELEVATION

SECTION

RB-2/RB-3

ELEVATION

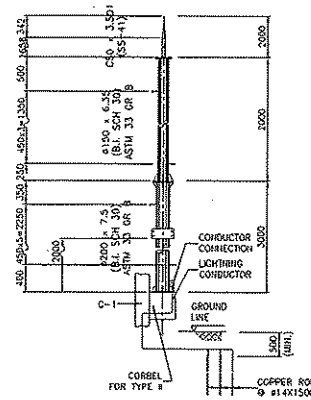
SECTION

RB-1

1 DETAIL OF ROOF BEAMS

SCALE

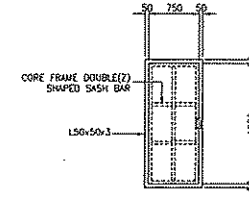
1:40



6 DETAIL OF 5m ANTENNA TYPE II

SCALE

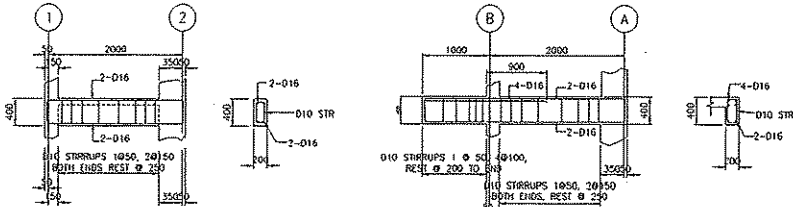
1:40



8 DETAIL OF STEEL DOOR

SCALE

1:40



ELEVATION

SECTION

B-1/B-2

ELEVATION

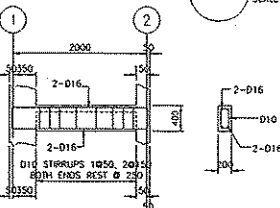
SECTION

B3

2 DETAIL OF FLOOR BEAMS

SCALE

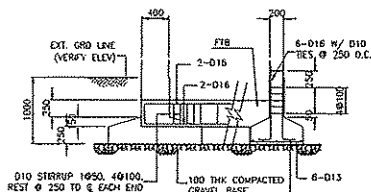
1:40



3 DETAIL OF TIE BEAM

SCALE

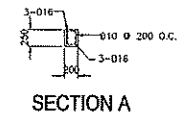
1:40



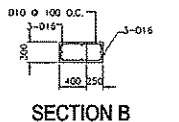
4 ELEVATION OF FOUNDATION

SCALE

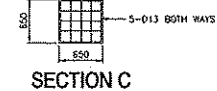
1:40



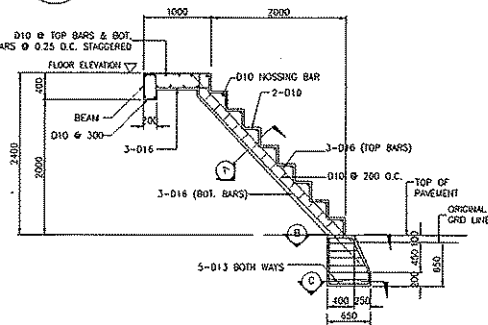
SECTION A



SECTION B



SECTION C

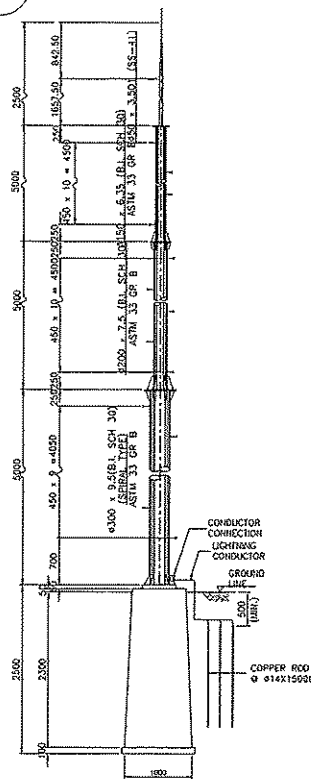


SECTION / ELEVATION

5 DETAIL OF STAIR

SCALE

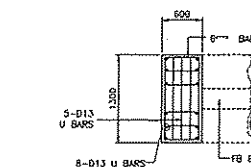
1:40



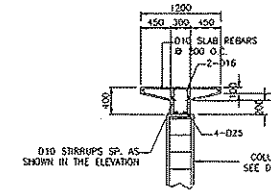
7 DETAIL OF 15m ANTENNA TYPE I

SCALE

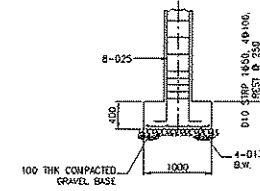
1:40



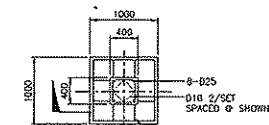
SECTION D



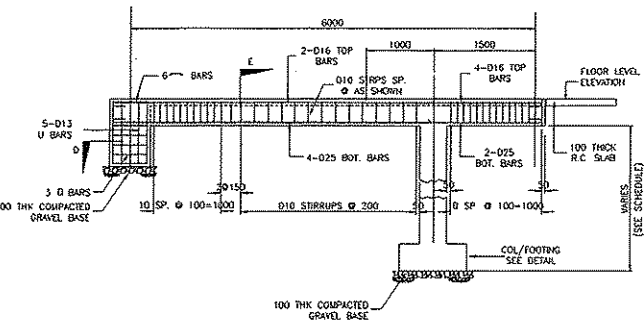
SECTION E



ELEVATION



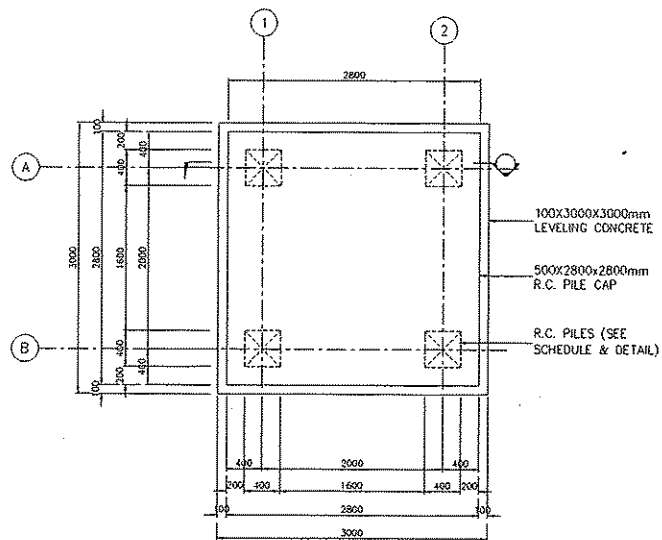
PLAN (COL/FTG)



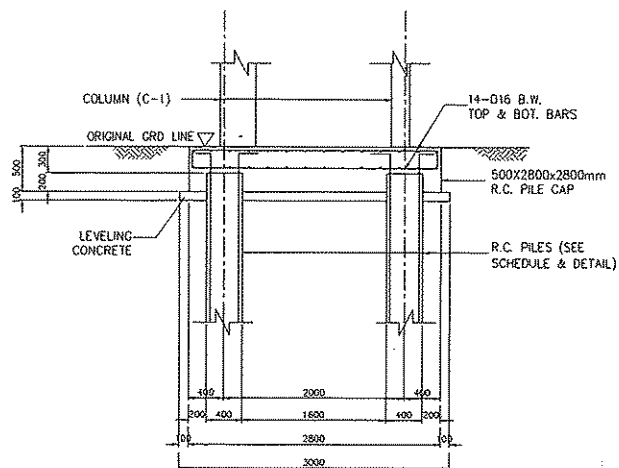
9 DETAIL OF FOOTBRIDGE

SCALE

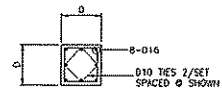
1:40



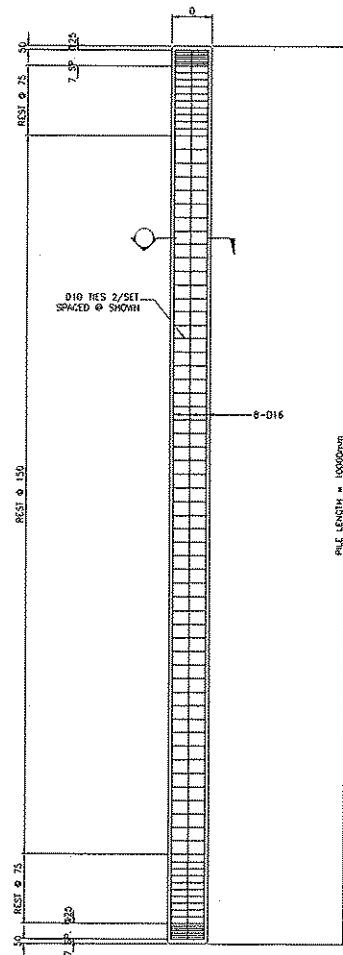
**PILE LAYOUT PLAN**  
SCALE 1:30



**SECTION**  
SCALE 1:30



**SECTION**  
SCALE 1:30



**ELEVATION**  
SCALE 1:30

NOTE:  
THE EXACT LENGTH OF PILE SHALL BE DETERMINED FROM THE RESULTS OF DRIVING TEST PILE.

SCHEDULE OF D

MONITORING STATION	D (mm)	ALLOWABLE BEARING CAP. (kN)
CANDABA	400	105
ZARAGOSA	300	150
MEXICO	300	150



JAPAN INTERNATIONAL COOPERATION AGENCY

PROJECT & LOCATION:

UPGRADING OF FLOOD FORECASTING AND WARNING SYSTEM IN THE PAMPANGA AND AGNO RIVER BASINS

SHEET CONTENTS

TYPICAL DETAIL OF PILE FOUNDATION (ZARAGOSA, MEXICO AND CANDABA MONITORING STATION HOUSE)

SET

C-SD-6

SHT. NO.

45 / 45