

Drawings C

Drawing of Afadole Transfer Station

CONTENTS

DESCRIPTIONS :	DRG NO :
1. LOCATION PLAN -----	AFD-01
2. LAYOUT PLAN -----	AFD-02
3. DETAIL LAYOUT SITE PLAN -----	AFD-03
4. DETAIL PLAN OF RAMP AND UNLOADING PLATFORM -----	AFD-04
5. DETAIL SECTION OF UNLOADING PLATFORM -----	AFD-05
6. RAINFORCEMENT & RETAINING WALL -----	AFD-06
7. LONGITUDINAL SECTION OF APPROACH RAMP -----	AFD-07
8. PLAN & SECTION - DETAIL OF WASTE GUIDE -----	AFD-08
9. GABION RETAINING WALL -----	AFD-09
10. DRAINAGE LAYOUT PLAN -----	AFD-10
11. TYPICAL DETAIL OF DRAINS AND LANDFILL GAS PIPES -----	AFD-11
12. PLAN OF BUONDARY WALL -----	AFD-12
13. DETAIL OF BOUNDARY WALL AND GATE BARBED WIRE FENCING & WALL SECTIONS	AFD-13
14. TRAFFIC CIRCULATION PLAN -----	AFD-14
15. DETAIL OF PARKING AREA -----	AFD-15
16. DETAIL PLAN OF TIPPING AREA -----	AFD-16
17. PLAN, ELEVATION & SECTION OF OFFICE BUILDING -----	AFD-17
18. R.C.C. DETAILS OF OFFICE BUILDING -----	AFD-18
19. PLAN, ELEVATION & SECTION OF GUARD HOUSE, TOILET & BATH -----	AFD-19

THE STUDY ON THE SOLID WASTE MANAGEMENT
FOR THE KATHMANDU VALLEY






DESIGNED BY:	B. M. Shakya
DRAWN BY:	G.P. Chaudhary
CHECKED BY:	B. M. Shakya
DATE:	March 2006

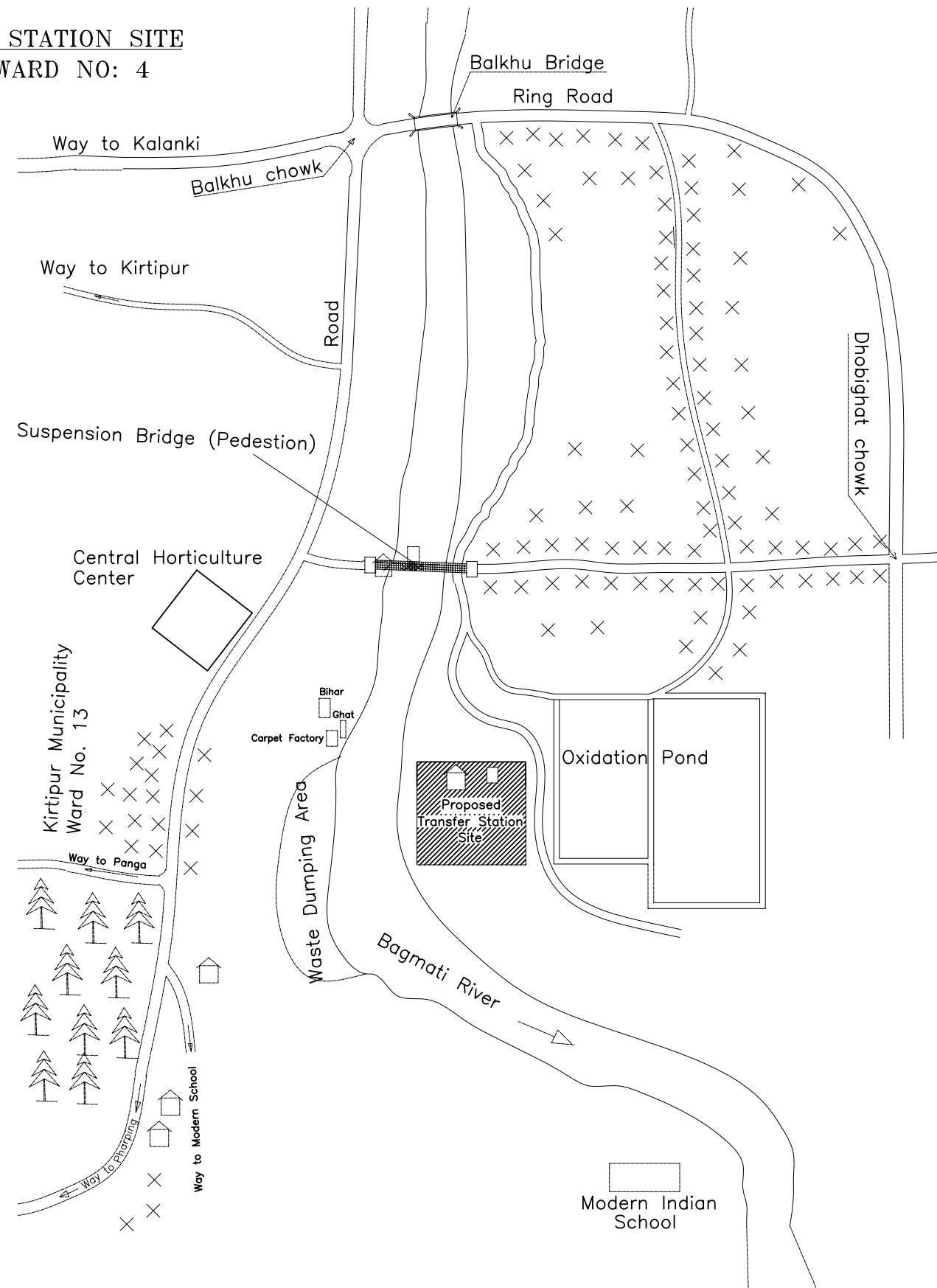
TABLE OF CONTENTS
AFADOL TRANSFER STATION

DRAWING No.

AFD-00

FIG. 2.1: PROPOSED AFADOL TRANSFER STATION SITE
LALITPUR SUB-METROPOLITAN CITY WARD NO: 4

LEGEND
 Tree ———— 
 Temple ———— 
 Settlement Area — 



THE STUDY ON THE SOLID WASTE MANAGEMENT
FOR THE KATHMANDU VALLEY



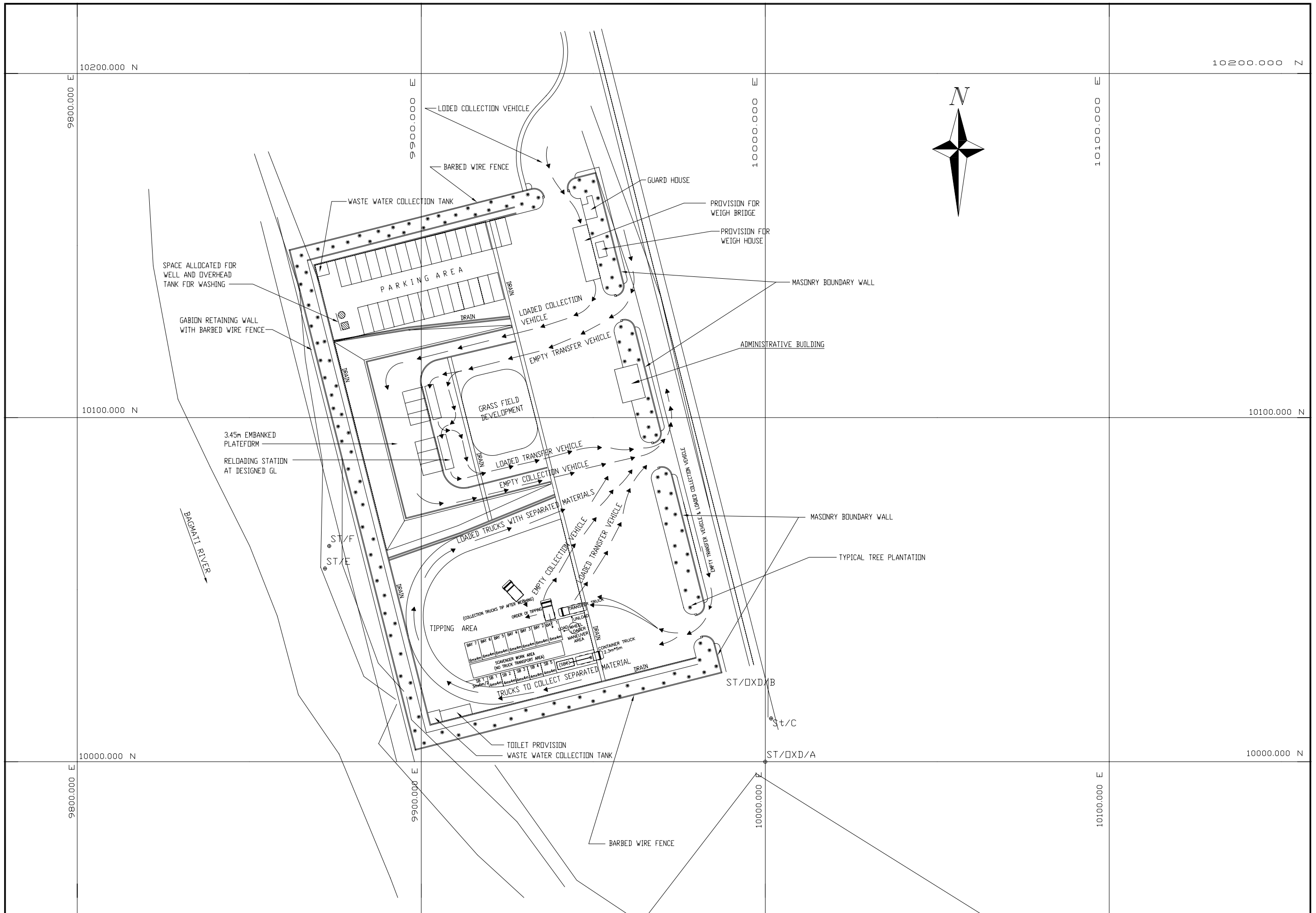
DESIGNED BY:	B. M. Shakya
DRAWN BY:	G.P. Chaudhary
CHECKED BY:	B. M. Shakya
DATE:	March, 2006

LOCATION PLAN

AFADOL TRANSFER STATION

DRAWING No.

AFD-01



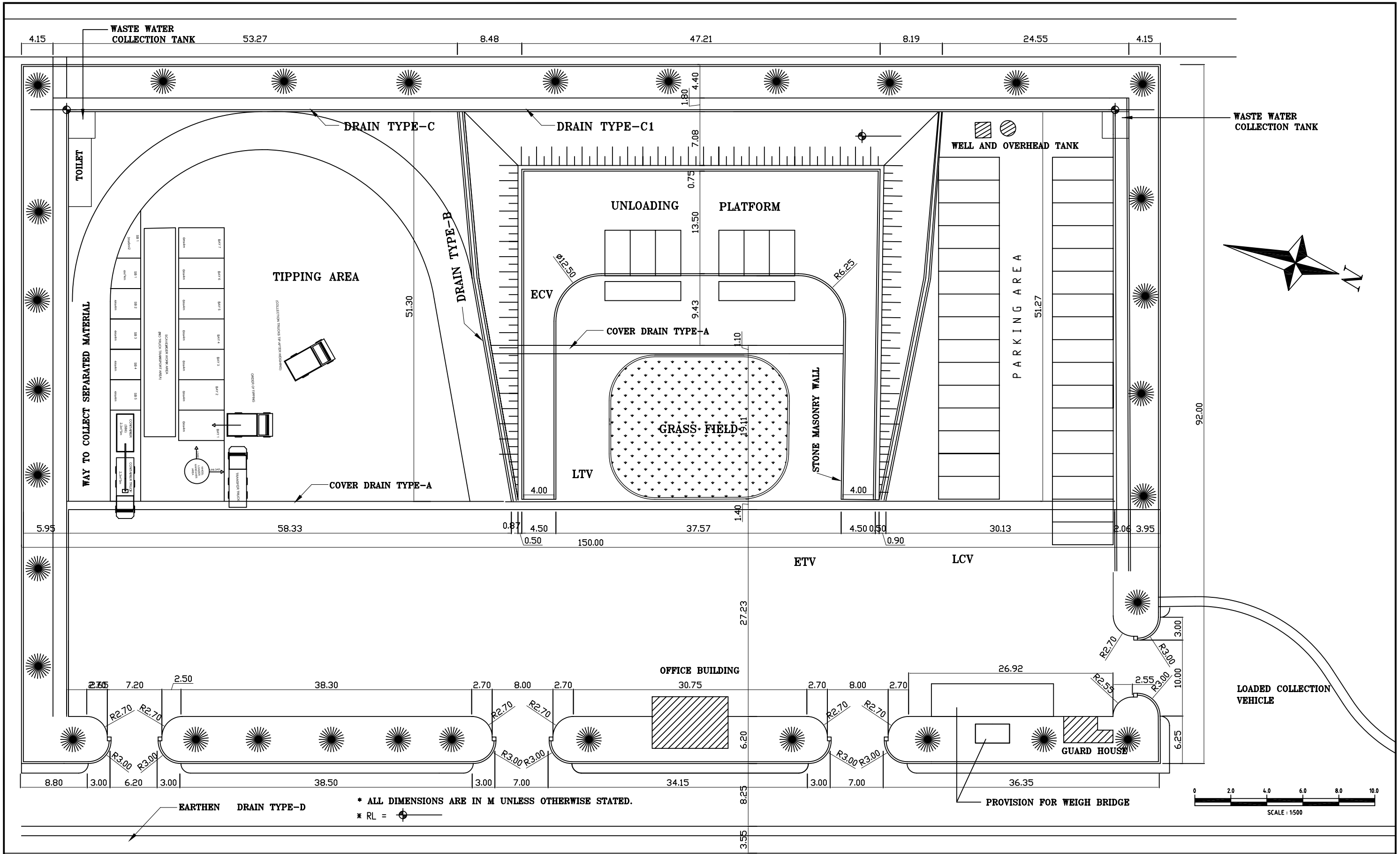
THE STUDY ON THE SOLID WASTE MANAGEMENT
FOR THE KATHMANDU VALLEY



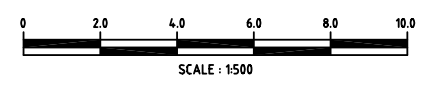
DESIGNED BY: Sarad Shrestha
 DRAWN BY: D. R. Sedhain
 CHECKED BY: B. M. Shakya
 DATE: March, 2006

LAYOUT PLAN
AFADOL TRANSFER STATION

DRAWING NO.
AFD-02



* ALL DIMENSIONS ARE IN M UNLESS OTHERWISE STATED.
 * RL =

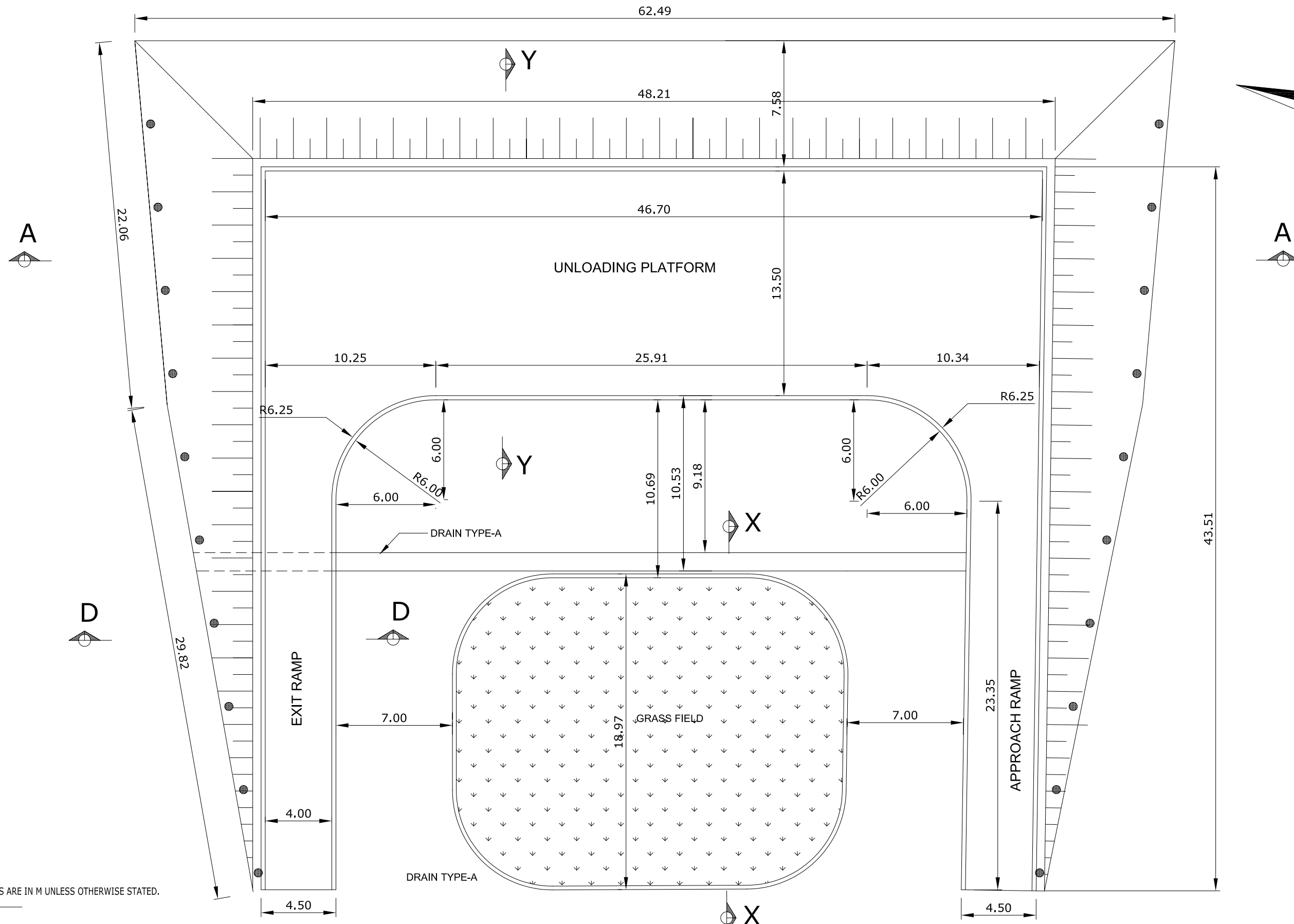


THE STUDY ON THE SOLID WASTE MANAGEMENT
 FOR THE KATHMANDU VALLEY

CONSULTANT	DESIGNED BY:	B. M. Shakya
	DRAWN BY:	G.P. Chaudhary
	CHECKED BY:	B. M. Shakya
	DATE:	March. 2006

DETAIL LAYOUT SITE PLAN
 AFADOL TRANSFER STATION

DRAWING No.
 AFD-03



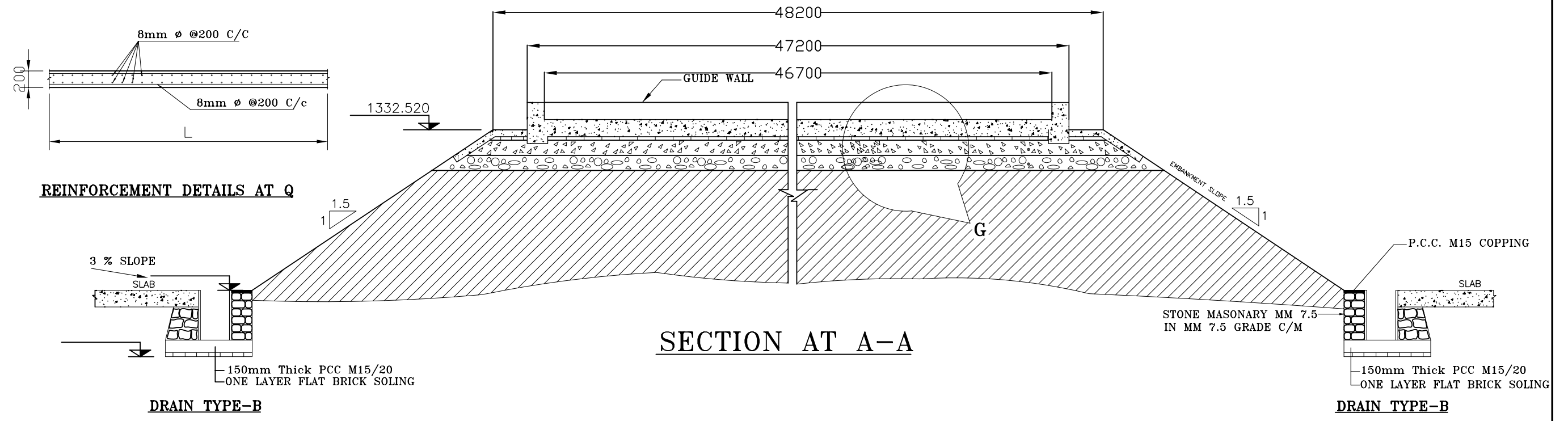
* ALL DIMENSIONS ARE IN M UNLESS OTHERWISE STATED.
 * RL =

THE STUDY ON THE SOLID WASTE MANAGEMENT
 FOR THE KATHMANDU VALLEY

CONSULTANT 2033 CONSULTANTS	DESIGNED BY:	B. M. Shakya
	DRAWN BY:	G.P. CHAUDHARY
	CHECKED BY:	B. M. Shakya
	DATE:	March, 2006

DETAIL PLAN OF RAMP AND
 UNLOADING PLATFORM
 AFADOL TRANSFER STATION

DRAWING No.
 AFD-04

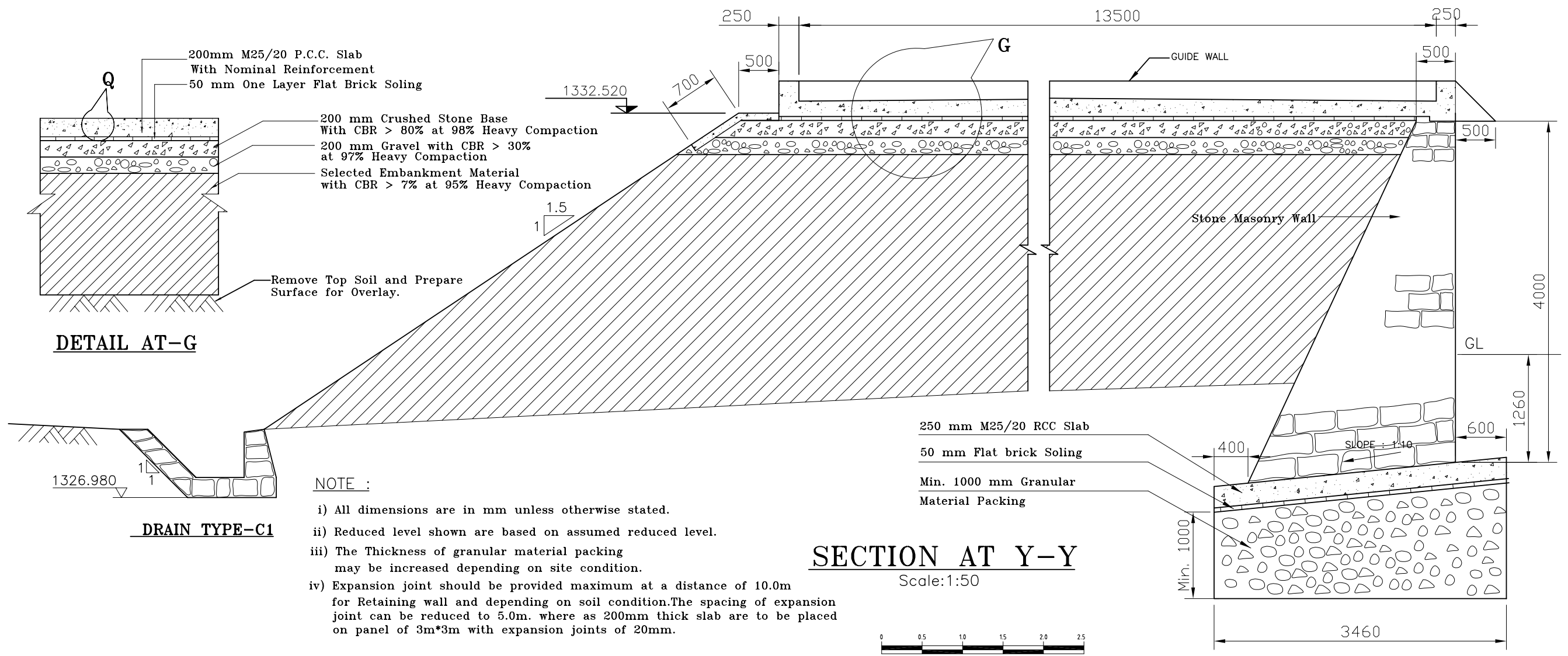


SECTION AT A-A

REINFORCEMENT DETAILS AT Q

DRAIN TYPE-B

DRAIN TYPE-B



SECTION AT Y-Y

Scale: 1:50

SCALE 1:250

DETAIL AT-G

DRAIN TYPE-C1

NOTE :

- i) All dimensions are in mm unless otherwise stated.
- ii) Reduced level shown are based on assumed reduced level.
- iii) The Thickness of granular material packing may be increased depending on site condition.
- iv) Expansion joint should be provided maximum at a distance of 10.0m for Retaining wall and depending on soil condition. The spacing of expansion joint can be reduced to 5.0m. where as 200mm thick slab are to be placed on panel of 3m*3m with expansion joints of 20mm.

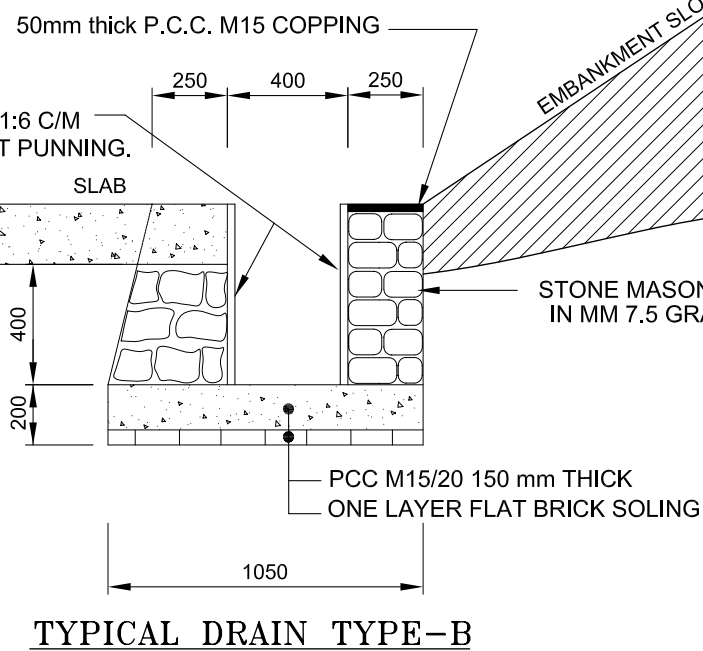
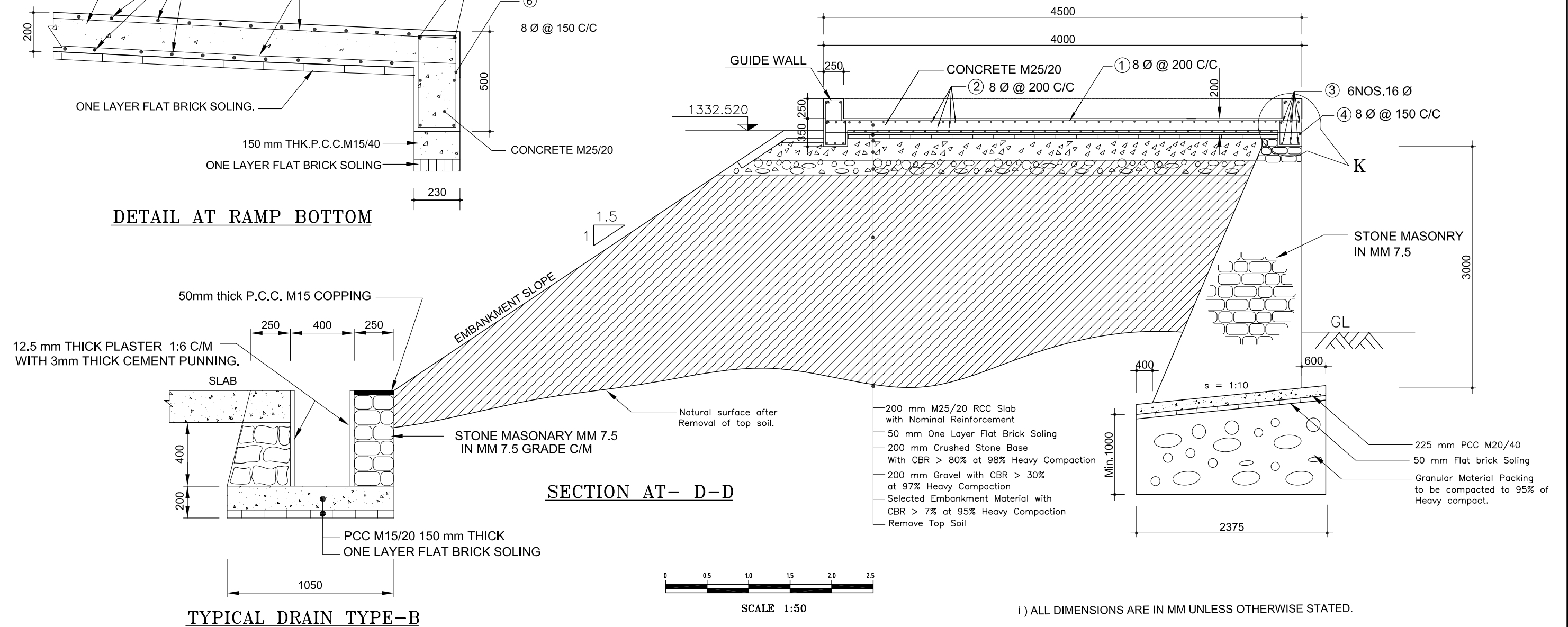
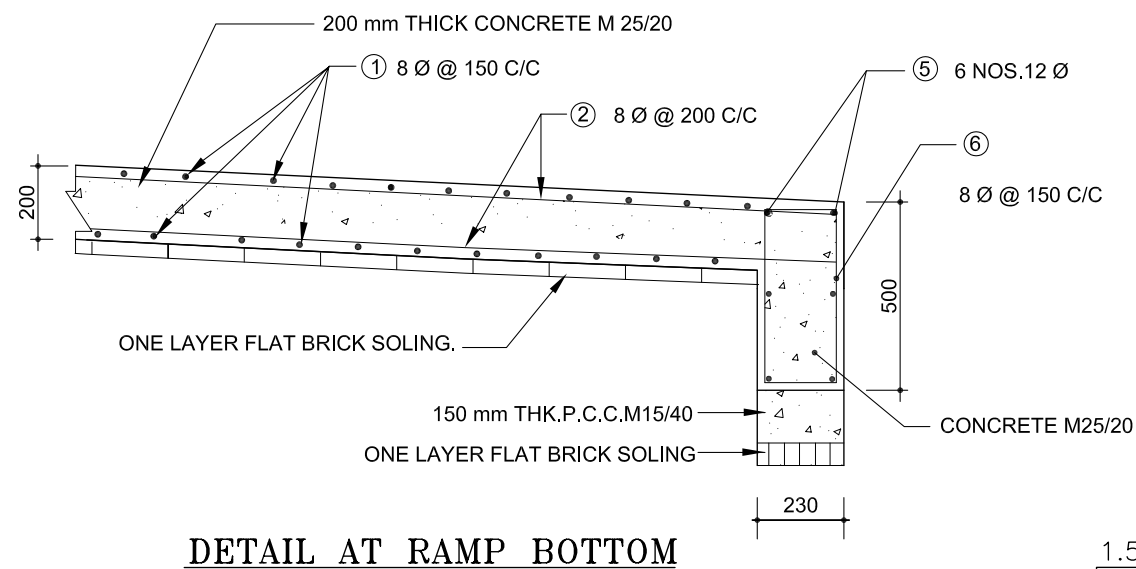
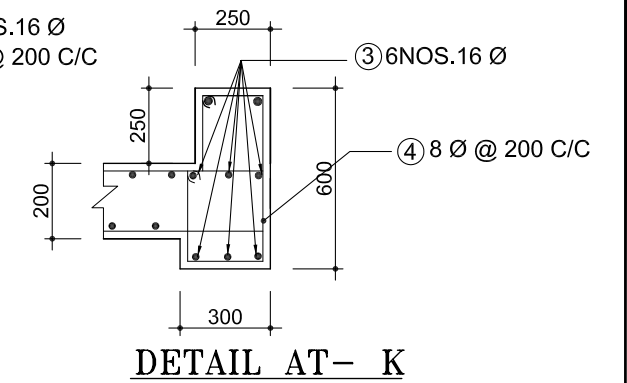
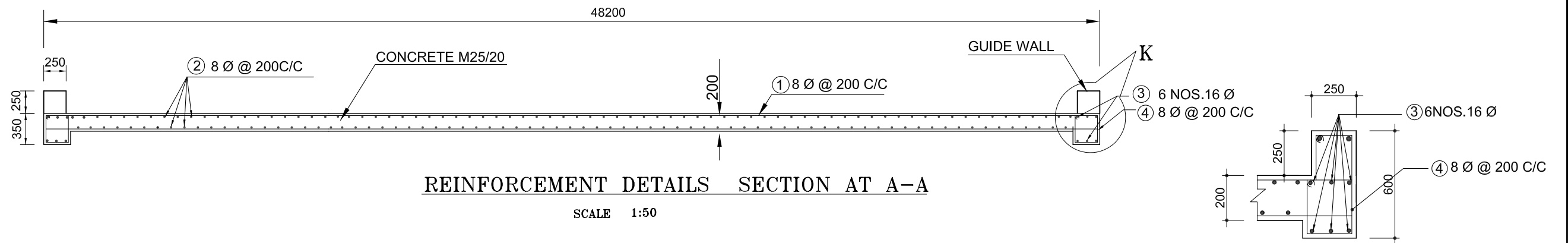
THE STUDY ON THE SOLID WASTE MANAGEMENT
FOR THE KATHMANDU VALLEY



DESIGNED BY: B. M. Shakya
DRAWN BY: G.P. Chaudhary
CHECKED BY: B. M. Shakya
DATE: March 2006

DETAIL SECTION OF
UNLOADING PLATFORM
AFADOL TRANSFER STATION

DRAWING No.
AFD-05



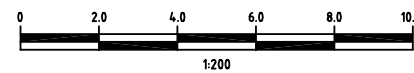
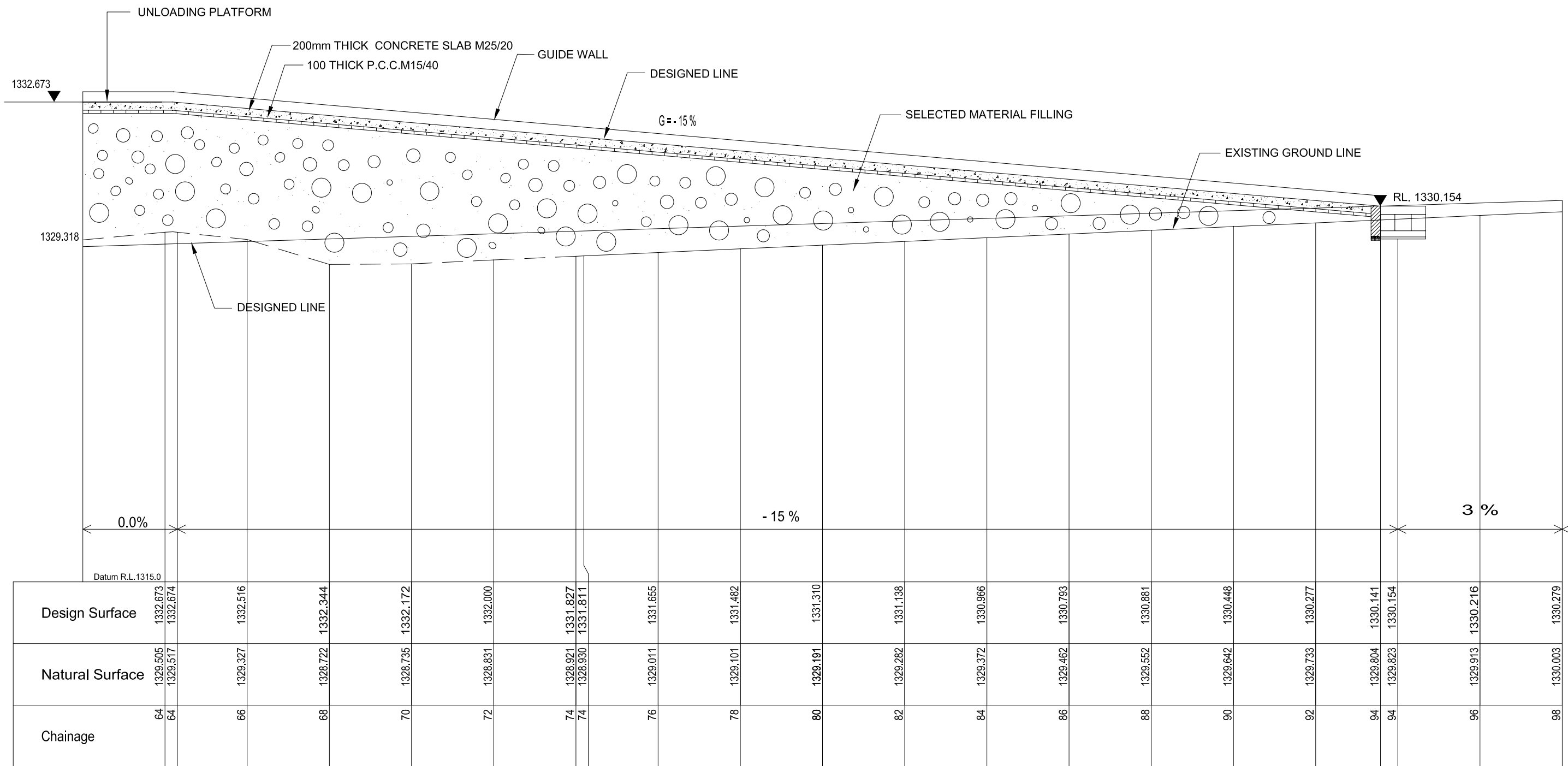
THE STUDY ON THE SOLID WASTE MANAGEMENT
FOR THE KATHMANDU VALLEY



DESIGNED BY: N. Paudel
DRAWN BY: G.P. Chaudhary
CHECKED BY: B. M. Shakya
DATE: March 2006

DETAIL SECTION OF UNLOADING PLATFORM
REINFORCEMENT & RETAINING WALL
AFADOL TRANSFER STATION

DRAWING No.
AFD-06



THE STUDY ON THE SOLID WASTE MANAGEMENT
FOR THE KATHMANDU VALLEY

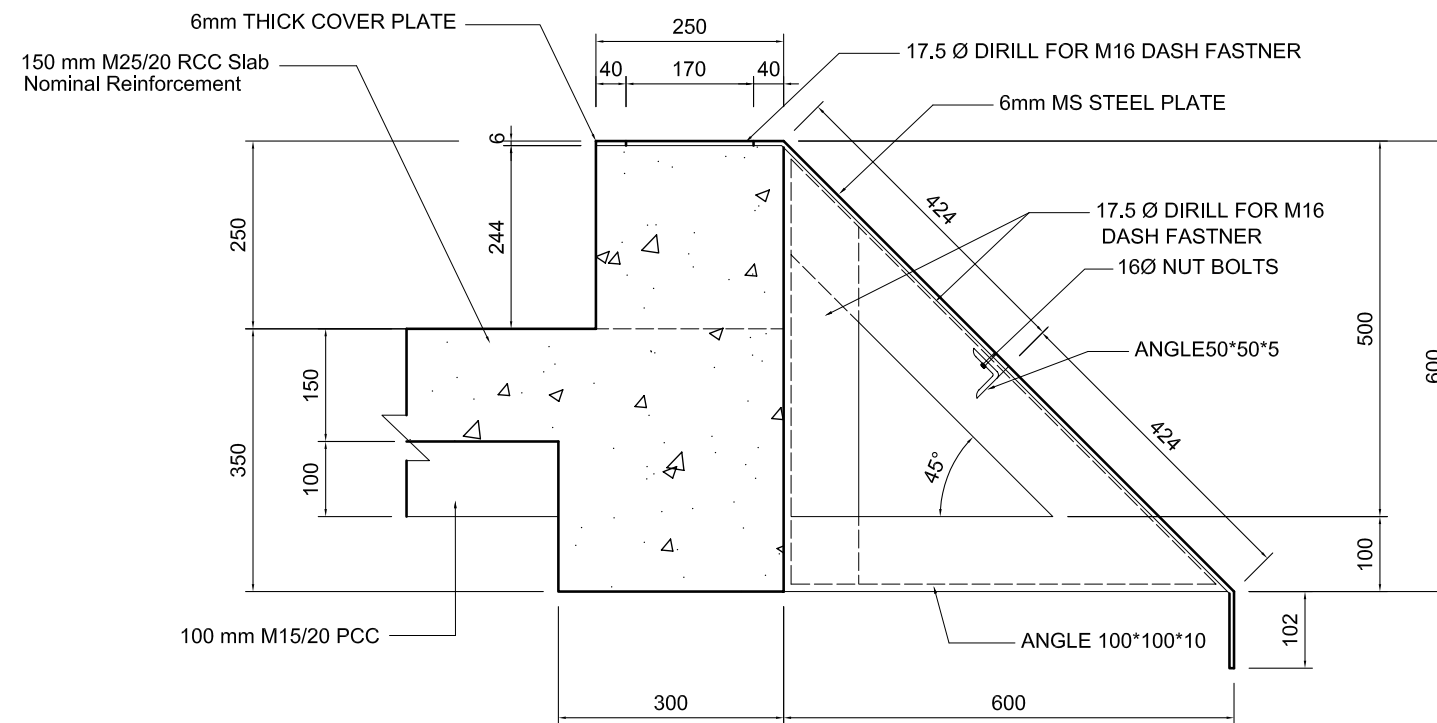
CONSULTANT



DESIGNED BY: B. M. Shakya
DRAWN BY: G.P. Chaudhary.
CHECKED BY: B. M. Shakya
DATE: March 2006

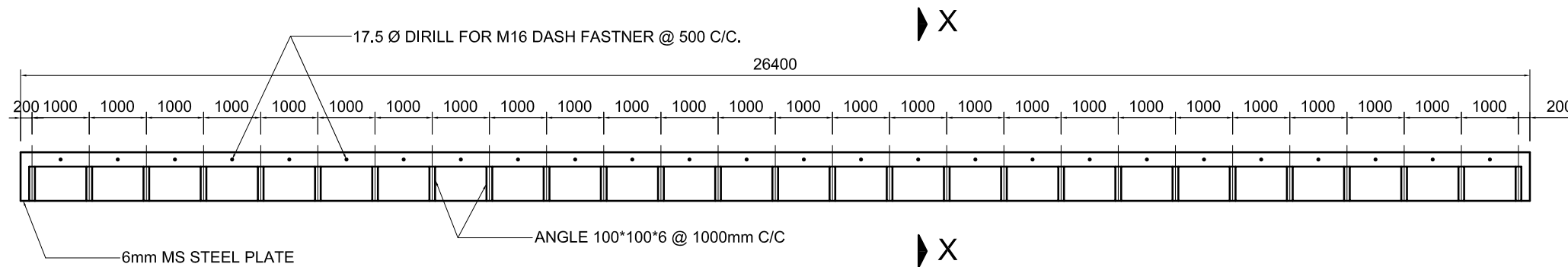
LONGITUDINAL SECTION OF
APPROCH RAMP
AFADOL TRANSFER STATION

DRAWING No.
AFD-07



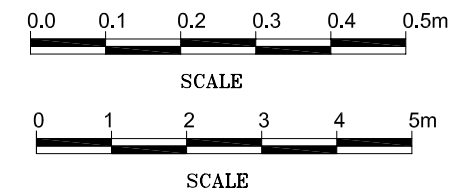
SECTION AT X-X

SCALE : 1:10



PLAN

SCALE : 1:100



NOTE :
 Required 6mm Thick MS Steel Plate (4*8) = 11Nos.
 All Dimensions are in mm unless otherwise stated.

THE STUDY ON THE SOLID WASTE MANAGEMENT
 FOR THE KATHMANDU VALLEY

CONSULTANT

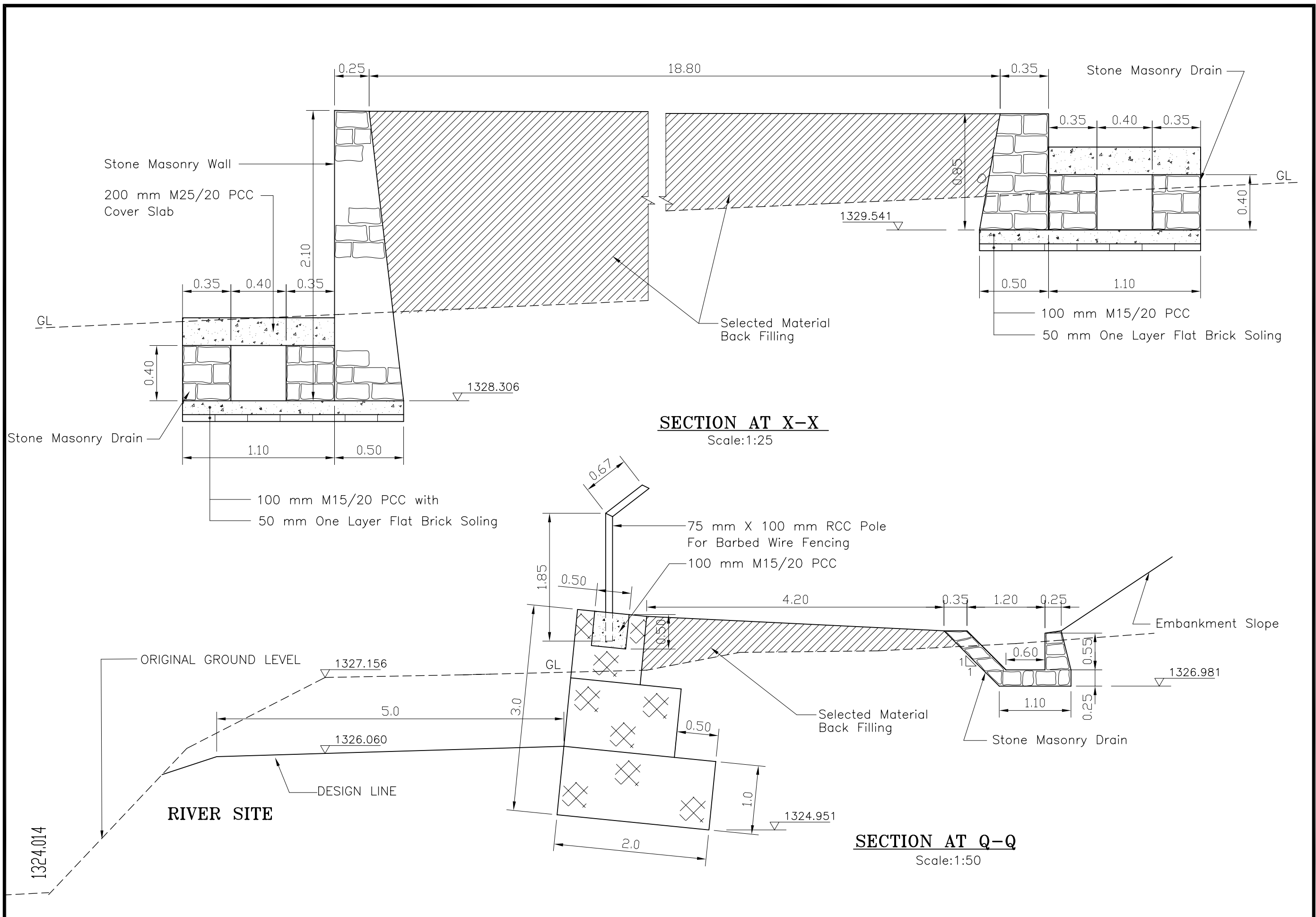


DESIGNED BY: B. M. Shakya
 DRAWN BY: G.P.Chaudhary
 CHECKED BY: B. M. Shakya
 DATE: March 2006

PLAN & SECTION
 DETAIL OF WASTE GUIDE
 AFADOL TRANSFER STATION

DRAWING No.

AFD-08



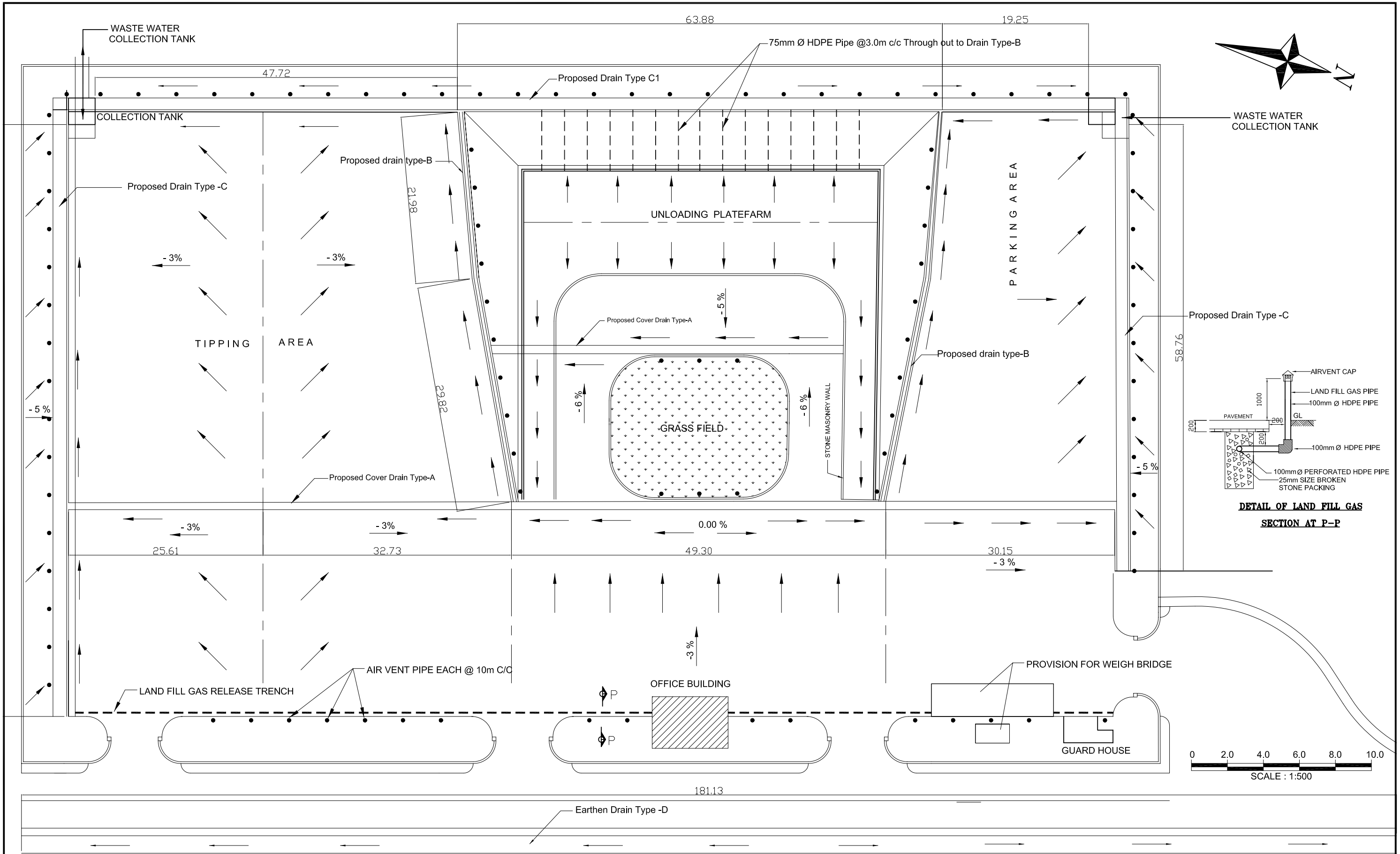
THE STUDY ON THE SOLID WASTE MANAGEMENT
FOR THE KATHMANDU VALLEY



DESIGNED BY: Sarad Shrestha
DRAWN BY: Shyam Shrestha
CHECKED BY: B. M. Shakya
DATE: March 2006

GABION RETAINING WALL
AFADOL TRANSFER STATION

DRAWING No.
AFD-09



THE STUDY ON THE SOLID WASTE MANAGEMENT
FOR THE KATHMANDU VALLEY



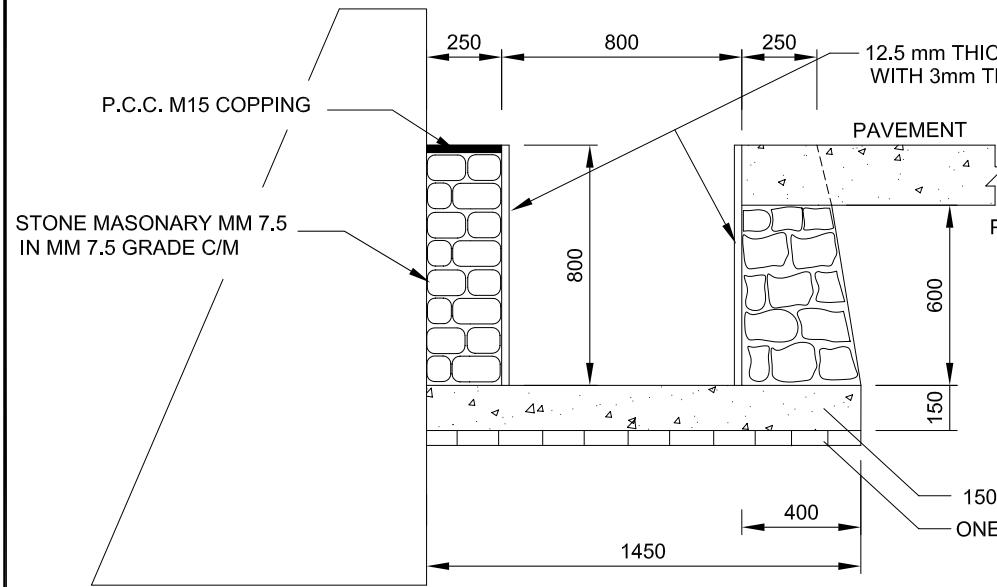
DESIGNED BY:	B. M. Shakya
DRAWN BY:	G.P. Chaudhary
CHECKED BY:	B. M. Shakya
DATE:	March 2006

DRAINAGE LAYOUT PLAN
AFADOL TRANSFER STATION

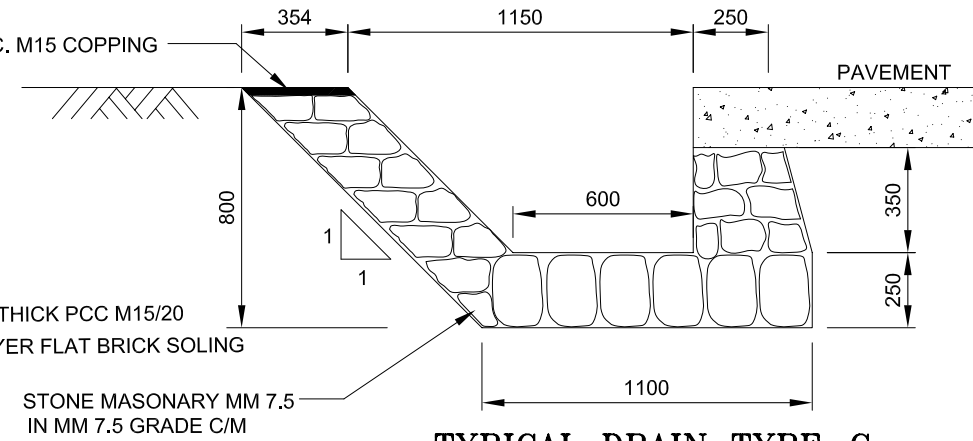
DRAWING No.
AFD-10

NOTE FOR AIRVENT PIPE :

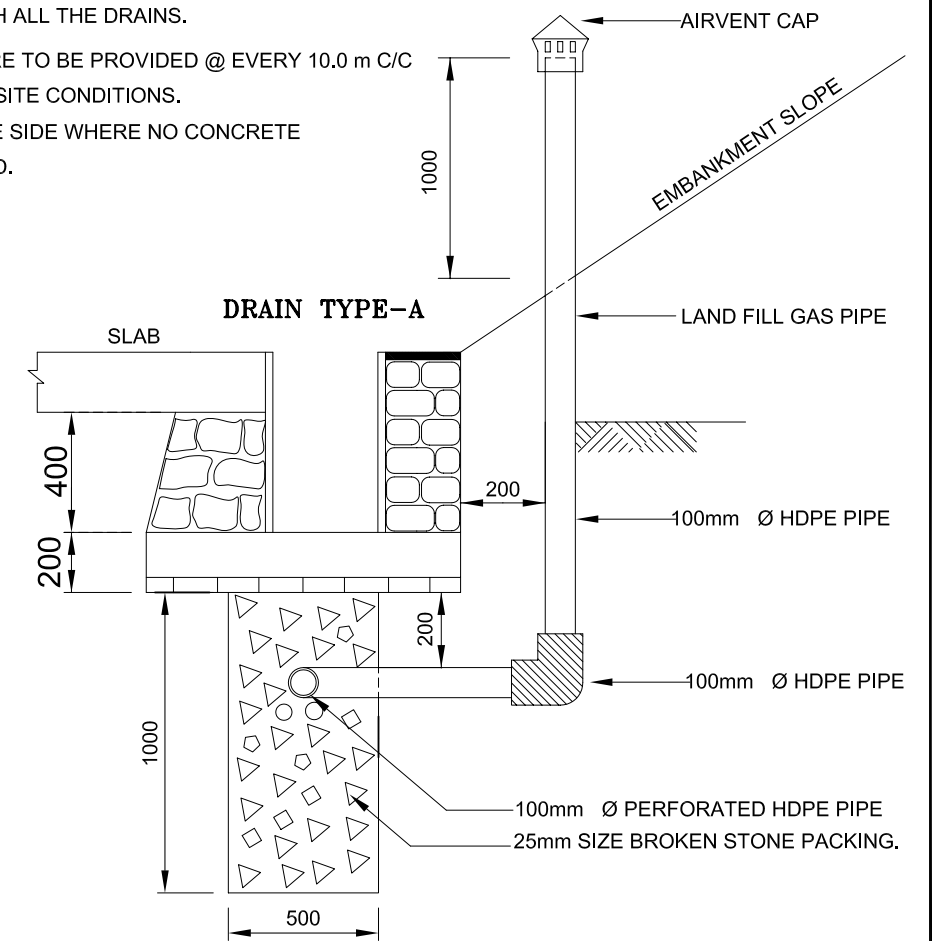
- i) TO BE PROVIDED BANITH ALL THE DRAINS.
- ii) LAND FILL GAS PIPES ARE TO BE PROVIDED @ EVERY 10.0 m C/C DEPENDING UPON THE SITE CONDITIONS.
- ii) TO BE PROVIDED AT THE SIDE WHERE NO CONCRETE PAVEMENT IS PROVIDED.



TYPICAL DRAIN TYPE-E

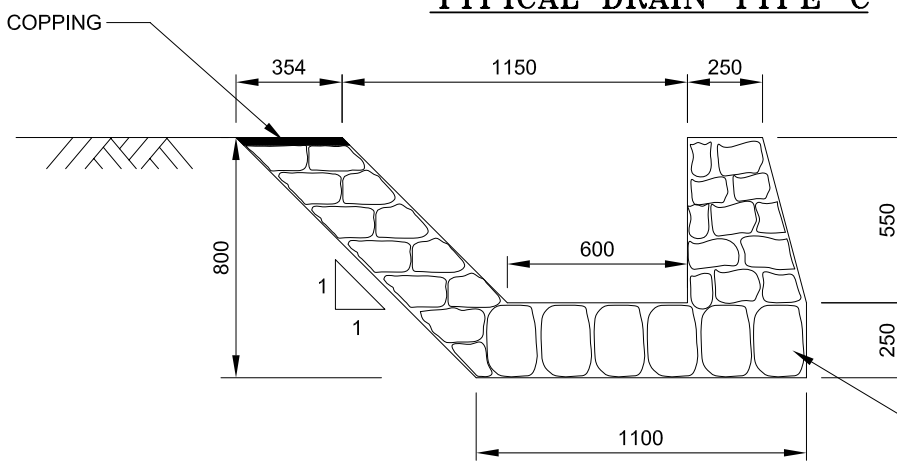


TYPICAL DRAIN TYPE-C

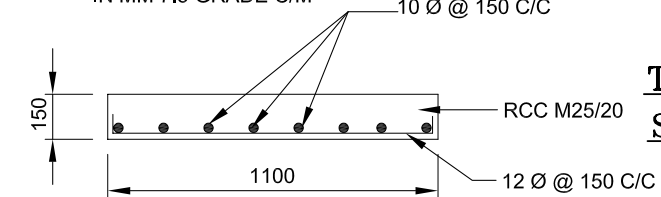


DETAIL OF LAND FILL GAS

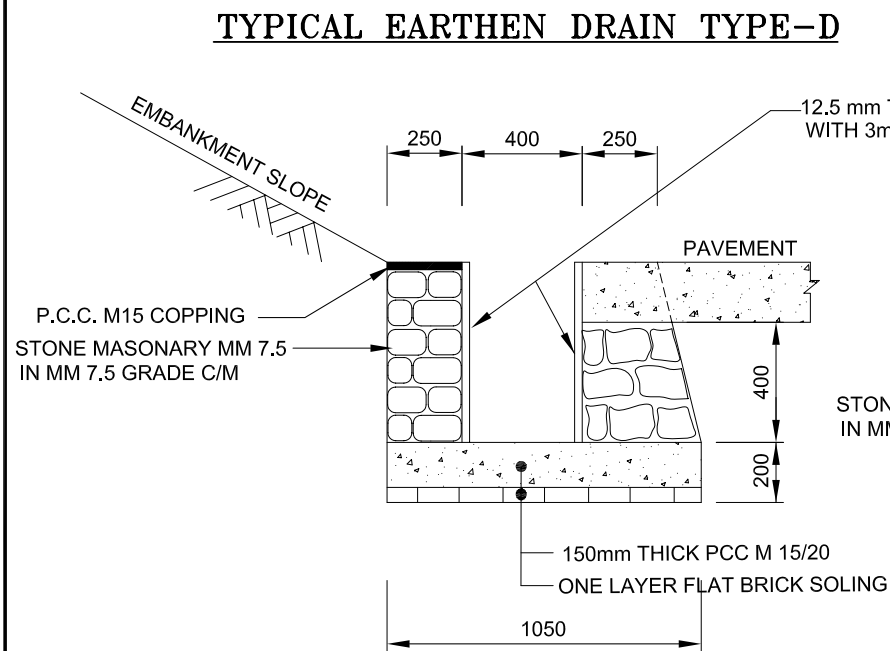
SCALE : 1:25



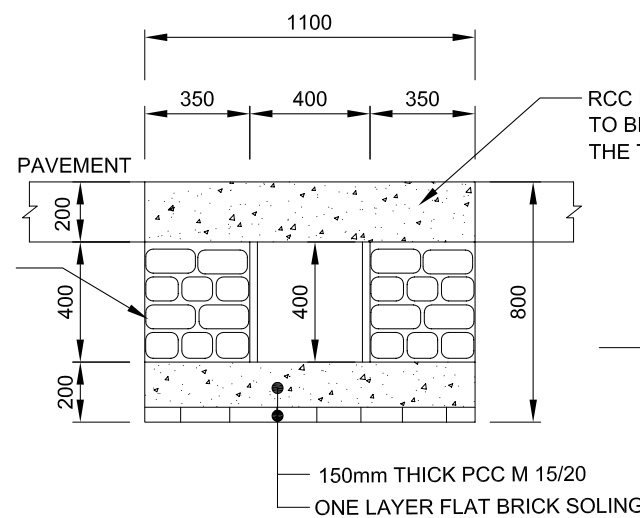
TYPICAL DRAIN TYPE-C1



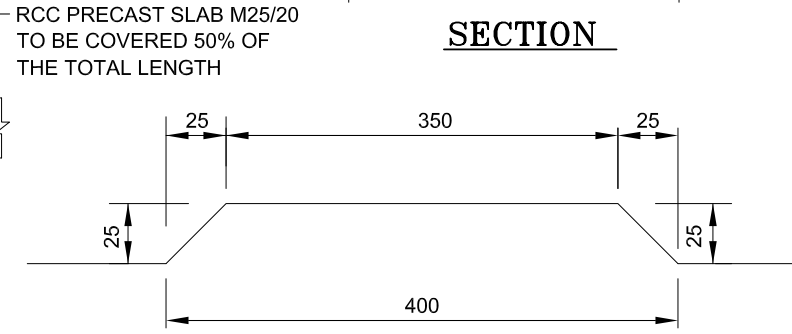
TYPICAL PRE-CAST SLAB DRAIN COVER



TYPICAL EARTHEN DRAIN TYPE-D

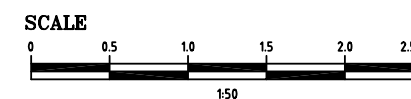


TYPICAL DRAIN TYPE-A



DETAIL-A

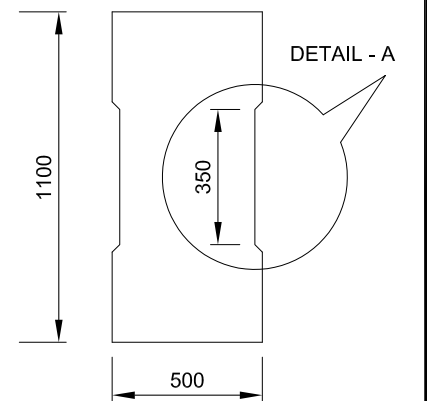
NOT TO SCALE



SCALE

NOTE :-

1. ALL DIMENSIONS ARE IN MM UNLESS OTHERWISE MENTIONED.



PLAN

THE STUDY ON THE SOLID WASTE MANAGEMENT FOR THE KATHMANDU VALLEY

CONSULTANT



DESIGNED BY: B. M. Shakya

DRAWN BY: G.P. Chaudhary

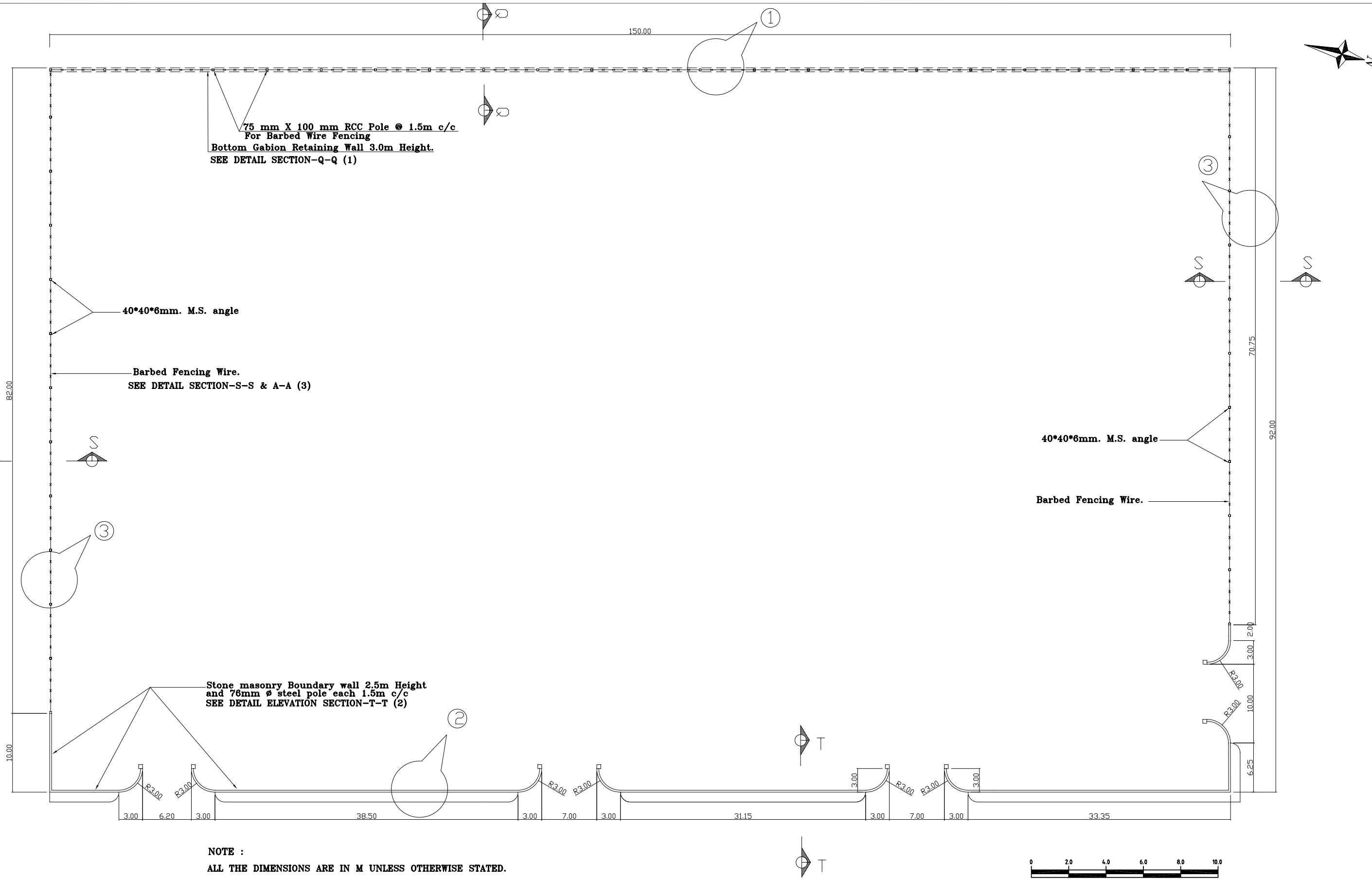
CHECKED BY: B. M. Shakya

DATE: March 2006

TYPICAL DETAIL OF DRAINS AND LANDFILL GAS PIPES
AFADOL TRANSFER STATION

DRAWING No.

AFD -11



THE STUDY ON THE SOLID WASTE MANAGEMENT
FOR THE KATHMANDU VALLEY



DESIGNED BY:	B. M. Shakya
DRAWN BY:	G.P.Chaudhary
CHECKED BY:	B. M. Shakya
DATE:	March 2006

PLAN OF BOUNDARY WALL
AFADOL TRANSFER STATION

DRAWING No.
AFD-12